



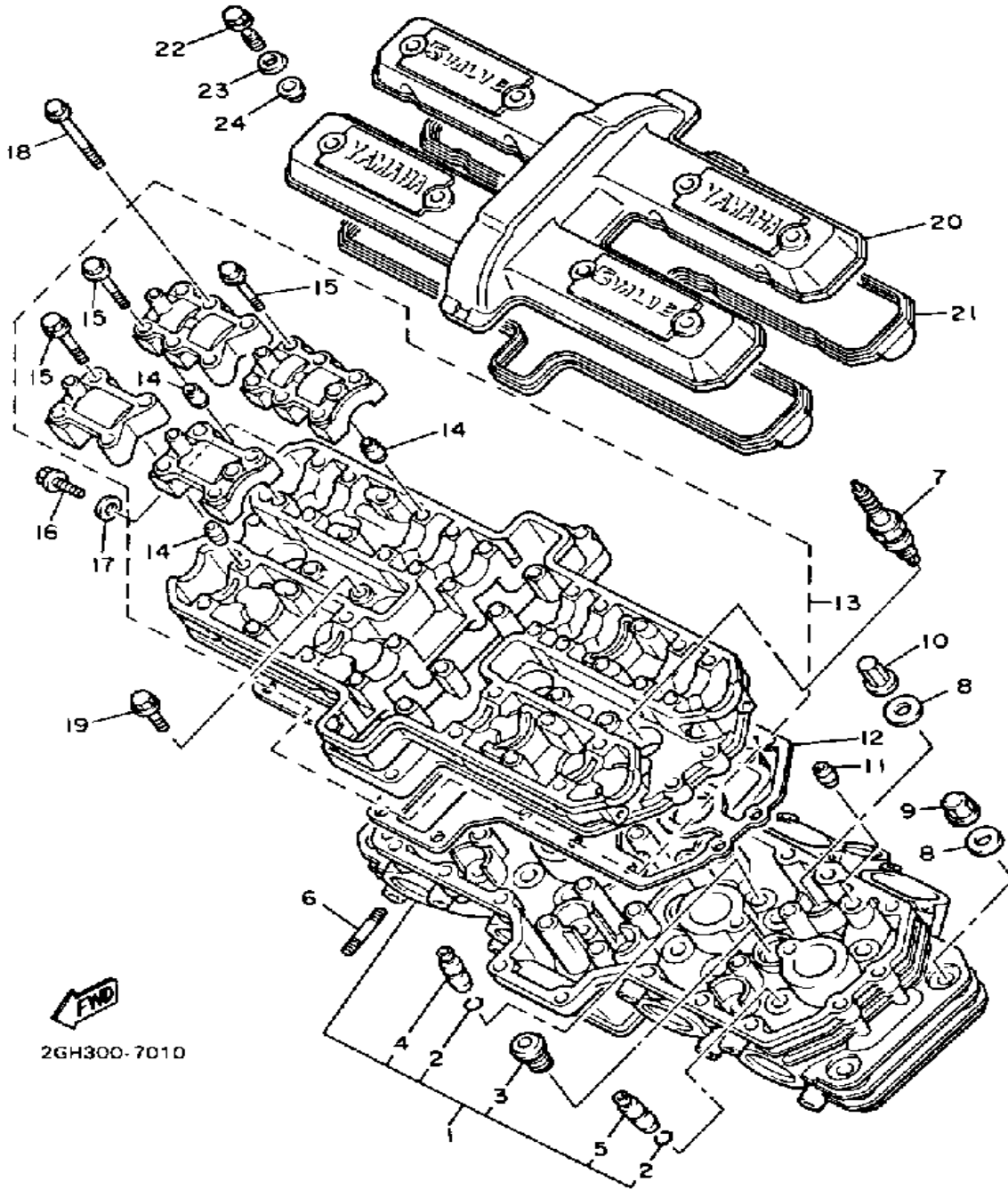
YAMAHA

GENUINE

PARTS CATALOGUE

MOTORCYCLE

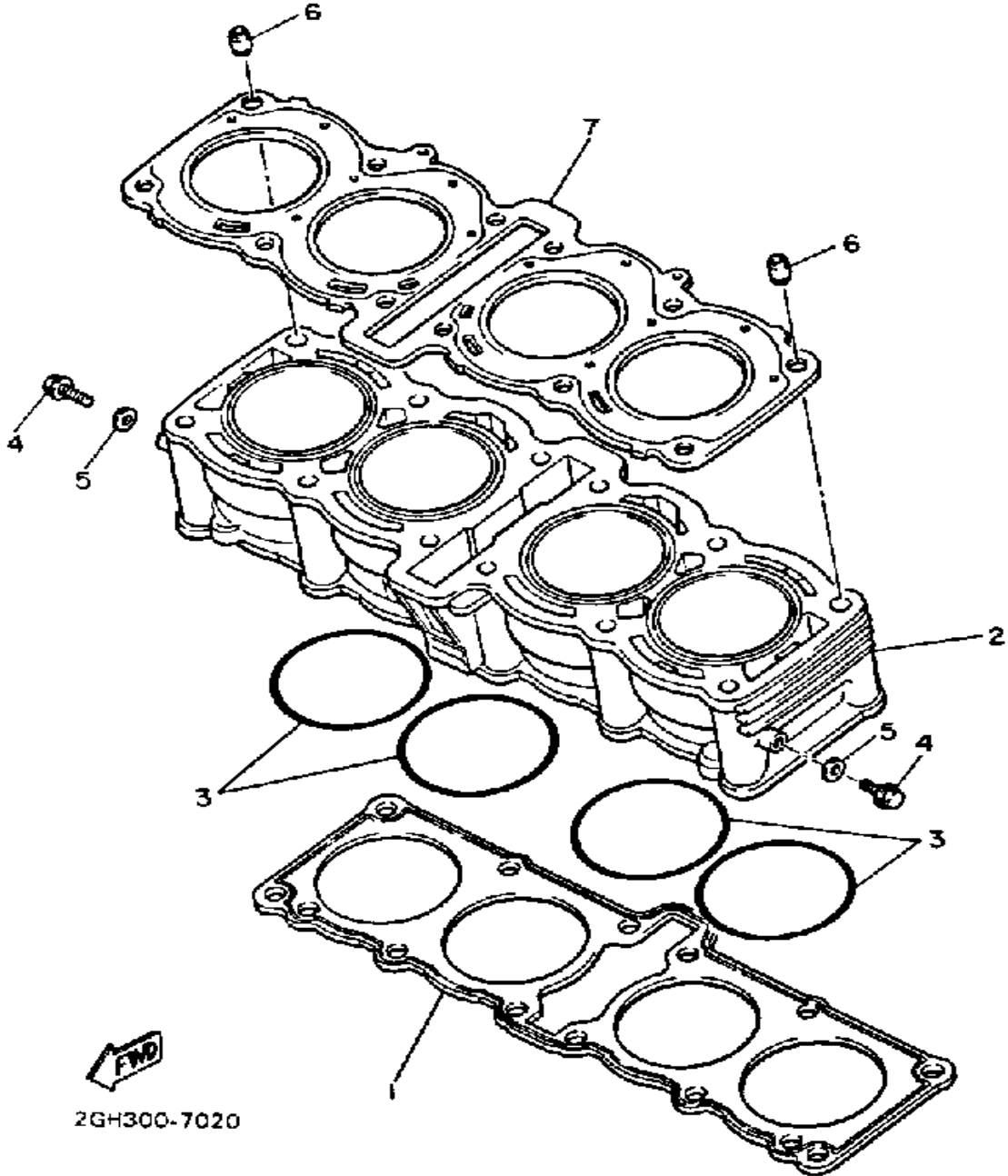
CYLINDER HEAD



2GH300-7010

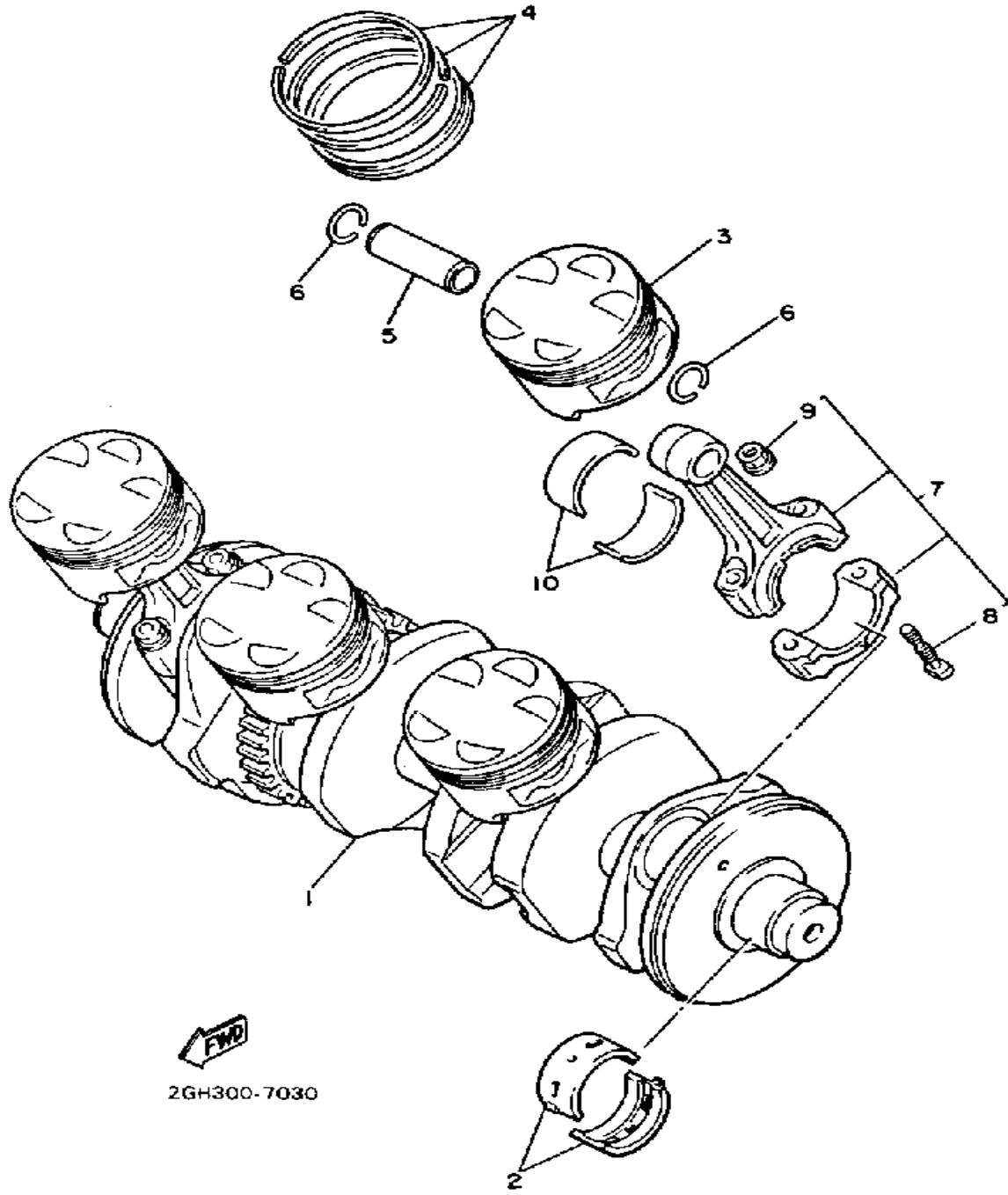
Ref. No.	Part Number	Description	Qty	Remarks
1	2GH-Y1111-00-00	CYLINDER HEAD ASSEMBLY	1	
	2LJ-11101-00-00	CYLINDER HEAD ASSEMBLY	1	
2	93440-09141-00	. CIRCLIP	20	
3	90340-18101-00	. PLUG, STRAIGHT SCREW	4	
4	1AA-11133-10-00	. GDE, INTK VLV 1 O/S	12	
5	1AA-11134-10-00	. GDE, EXST VLV 1 O/S	8	
6	90116-08504-00	BOLT, STUD (2GH)	8	
7	NGK-DP8EA-90-00	PLUG, SPARK (NGK DP8EA-9)	4	UR
8	90201-096J9-00	WASHER, PLATE	12	
9	90179-09489-00	NUT, SPEC'L SHAPE	4	
10	90179-09490-00	NUT, SPEC'L SHAPE	8	
11	99530-10014-00	PIN, DOWEL	2	
12	2GH-11182-00-00	GASKET, CYLINDER HEAD 2	1	
13	2GH-1115A-00-00	CAM CASE ASSEMBLY	1	
14	99510-08016-00	. PIN, DOWEL	16	
15	90105-06153-00	. BOLT, WASHER BASED	16	
16	95026-06012-00	BOLT, FLANGE	1	
17	90430-06014-00	GASKET	1	
18	90105-06362-00	BOLT, WASHER BASED	24	
19	95026-06025-00	BOLT, FLANGE	11	
20	1TV-11191-00-00	COVER, CYLINDER HEAD 1	1	
21	1AA-11193-00-00	GASKET, HD COVER 1	1	
22	90109-064F0-00	BOLT	8	
23	90209-11262-00	WASHER	8	
24	2GH-1111G-00-00	RUBBER, MOUNT 1	8	

CYLINDER



Ref. No.	Part Number	Description	Qty	Remarks
1	3GM-11351-00-00	GASKET, CYLINDER	1	
2	2GH-11310-00-00	CYLINDER	1	
3	93210-77363-00	O-RING	4	
4	95026-06012-00	BOLT, FLANGE	2	
5	90430-06014-00	GASKET	2	
6	91810-08016-00	PIN, DOWEL	2	
7	2GH-11181-01-00	GASKET, CYLINDER HEAD 1	1	

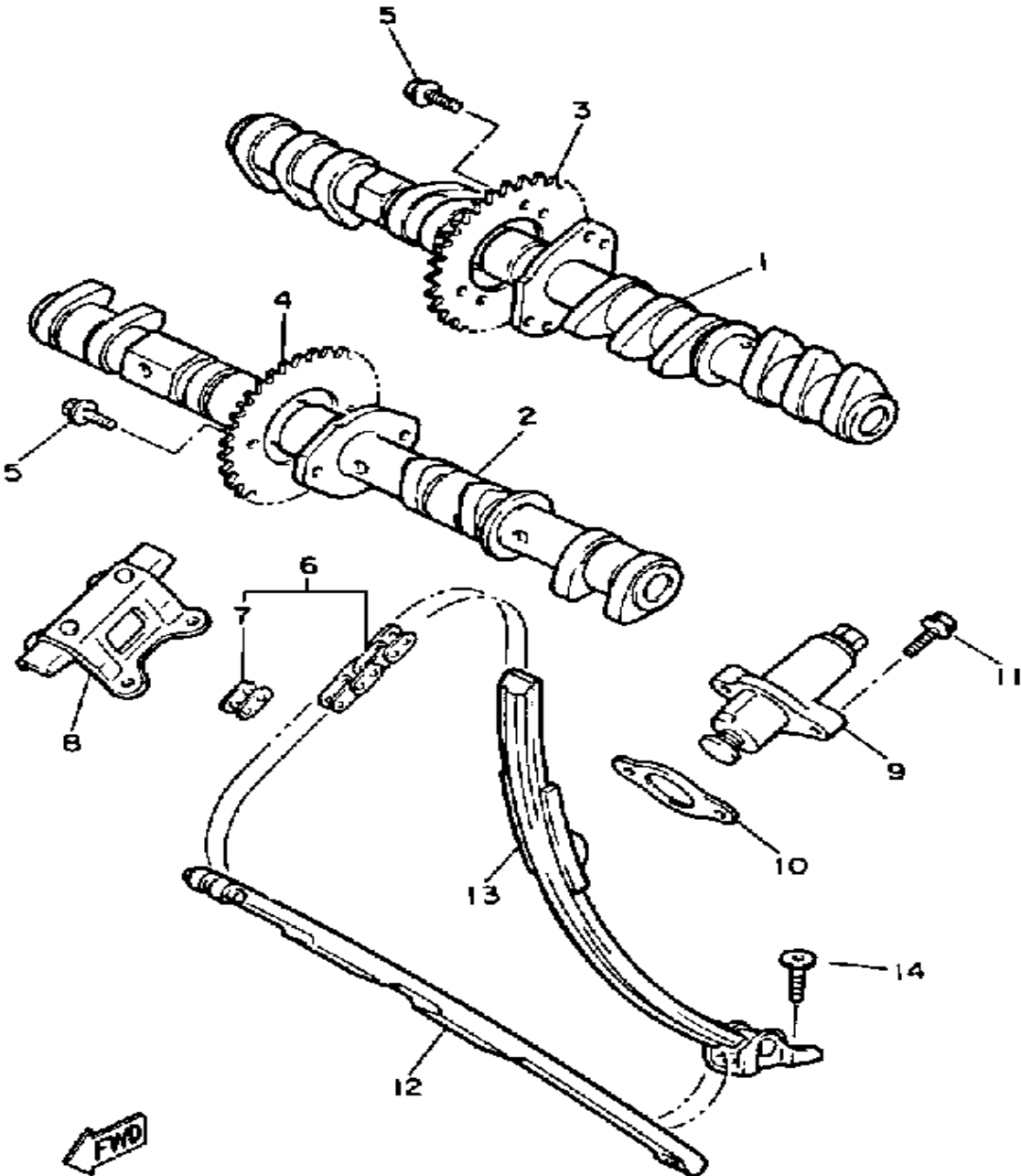
CRANKSHAFT - PISTON



Ref. No.	Part Number	Description	Qty	Remarks
1	2GH-11411-00-00	CRANKSHAFT	1	
2	2GH-11416-00-00	PLANE BEARING, CRANKSHAFT 1	10	UR BLUE
	2GH-11416-10-00	PLANE BEARING, CRANKSHAFT 1	10	UR BLACK
	2GH-11416-20-00	PLANE BEARING, CRANKSHAFT 1	10	UR BROWN
	2GH-11416-30-00	PLANE BEARING, CRANKSHAFT 1	10	UR GREEN
	2GH-11416-40-00	PLANE BEARING, CRANKSHAFT 1	10	UR YELLOW
3	2GH-11631-00-00	PISTON STD	4	
	2GH-11636-00-00	PISTON 2 O/S 0.0	4	ALT. PART
4	2GH-11610-00-00	PISTON RING SET	4	
	2GH-11610-20-00	PISTON RING SET (2ND O/S)	4	ALT. PART
5	2GH-11633-02-00	PIN, PISTON	4	
6	93450-19052-00	CIRCLIP	8	
7	2GH-11650-02-00	CONNECTING ROD ASSEMBLY	4	
8	12R-11654-00-00	. BOLT, CONNECTING ROD	2	
9	90179-08327-00	. NUT	2	
10	1AE-11656-00-00	PLANE BRNG, CON ROD	8	UR BLUE
	1AE-11656-10-00	PLANE BRNG, CON ROD	8	UR BLACK
	1AE-11656-20-00	PLANE BRNG, CON ROD	8	UR BROWN
	1AE-11656-30-00	PLANE BRNG, CON ROD	8	UR GREEN

FWD
2GH300-7030

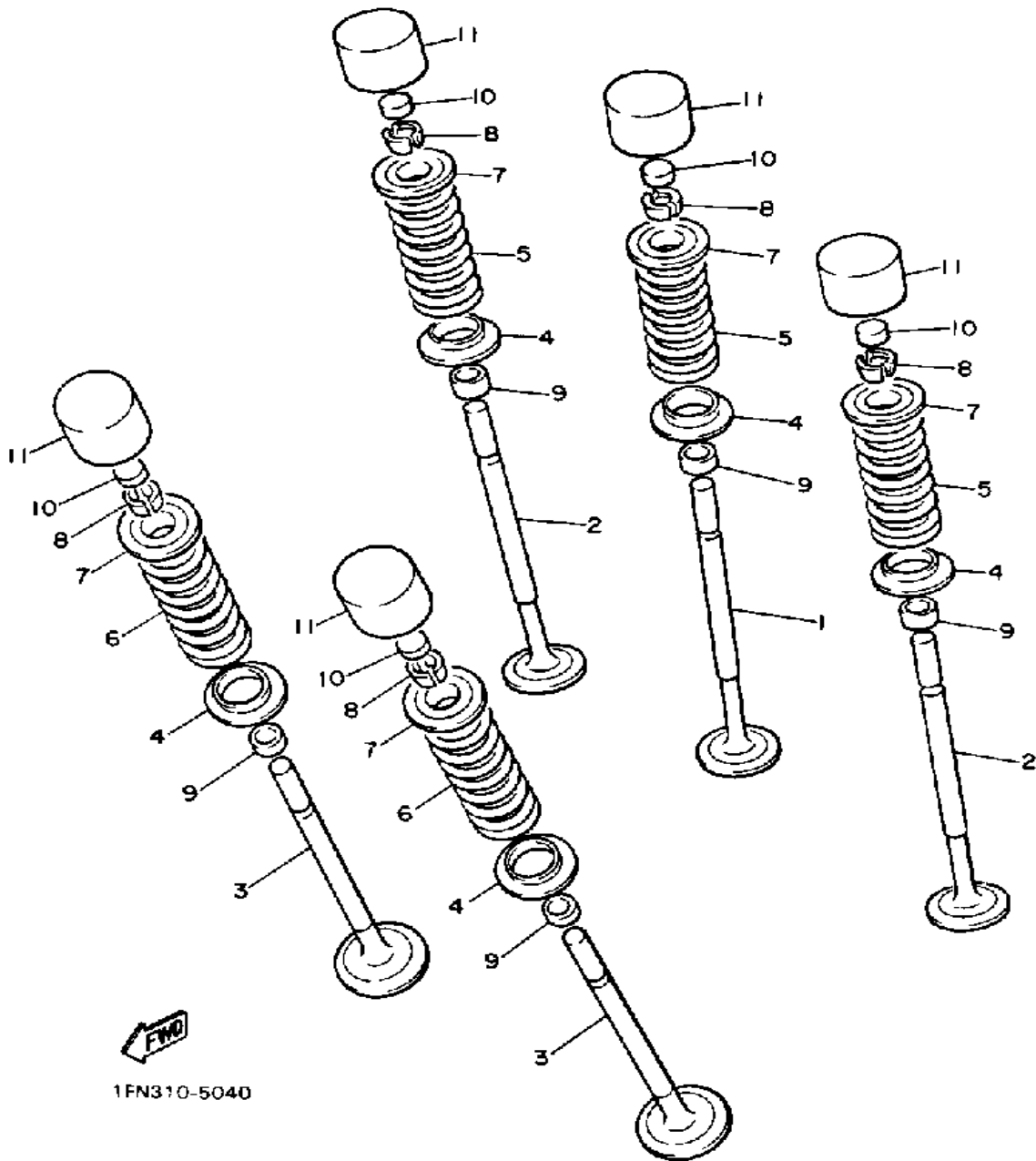
CAMSHAFT - CHAIN



Ref. No.	Part Number	Description	Qty	Remarks
1	2GH-12171-00-00	CAMSHAFT 1	1	
2	1AE-12181-00-00	CAMSHAFT 2	1	
3	4G0-12176-01-00	SPROCKET, CAM CHAIN (4G0-12176-00) (32T)	1	
4	2GH-12176-00-00	SPROCKET, CAM CHAIN	1	
5	90105-07342-00	BOLT, WASHER BASED	4	
6	94581-01110-00	CHAIN (1AE)	1	
7	94681-01021-00	. JOINT, CHAIN	1	
8	2GH-12241-00-00	GUIDE, STOPPER 2	1	
9	3GM-12210-00-00	. TENSIONER ASSEMBLY, CAM CHAIN (1WG-12210-02-00) ...	1	
	90109-112F1-00	. BOLT	1	
	99999-01840-00	TENS.ASSEMBLY, CAMCHAIN	1	
10	4BE-12213-00-00	GASKET, TENSIONER CASE ..	1	
11	95026-06025-00	BOLT, FLANGE	2	
12	1AE-12251-00-00	DAMPER, CHAIN 1	1	
13	2GH-12252-00-00	DAMPER, CHAIN 2	1	
14	90109-065A8-00	BOLT	2	

2GH300-7050

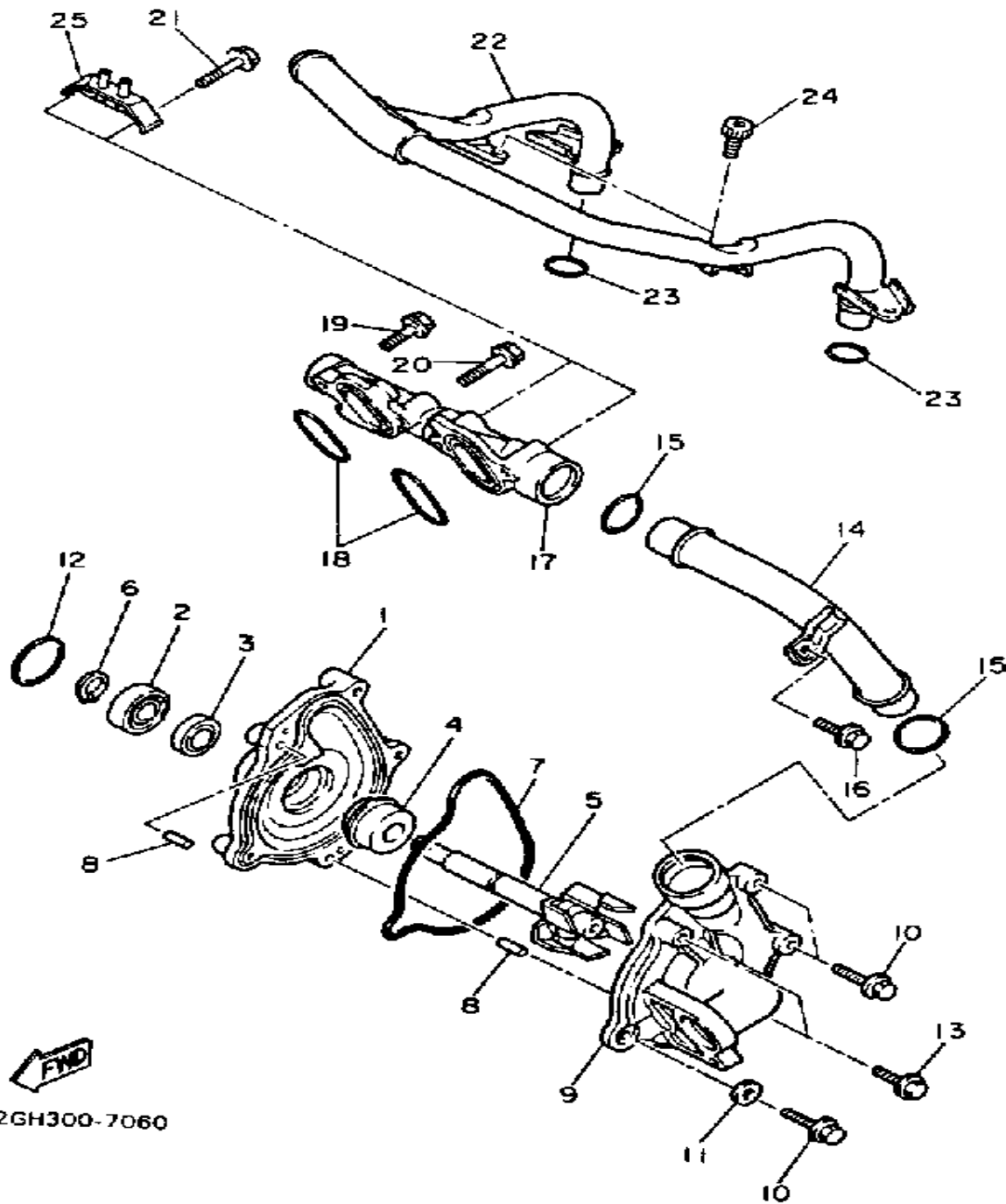
VALVE



Ref. No.	Part Number	Description	Qty	Remarks
1	2GH-12111-00-00	VALVE, INTAKE	4	
2	2GH-12112-00-00	VALVE INTAKE 2	8	
3	2GH-12121-00-00	VALVE, EXHAUST	8	
4	2GH-12116-00-00	SEAT, VALVE SPRING	20	
5	1AA-12113-01-00	SPRING, VALVE INNER	12	
6	1AA-12114-01-00	SPRING VALVE OUTER	8	
7	1AA-12117-00-00	RETAINER, VALVE SPR	20	
8	1AA-12118-00-00	COTTER, VALVE	40	
9	33M-12119-00-00	SEAL, VALVE STEM	20	
10	1AA-12168-00-00	PAD, ADJUSTING	20	UR
	1AA-12168-20-00	PAD, ADJUSTING	20	UR
	1AA-12168-40-00	PAD, ADJUSTING	20	UR
	1AA-12168-60-00	PAD, ADJUSTING	20	UR
	1AA-12168-80-00	PAD, ADJUSTING	20	UR
	1AA-12168-A0-00	PAD, ADJUSTING	20	UR
	1AA-12168-F0-00	PAD, ADJUSTING	20	UR
	1AA-12168-H0-00	PAD, ADJUSTING	20	UR
	1AA-12168-K0-00	PAD, ADJUSTING	20	UR
	1AA-12168-M0-00	PAD, ADJUSTING	20	UR
	1AA-12168-R0-00	PAD, ADJUSTING	20	UR
	1AA-12168-U0-00	PAD, ADJUSTING	20	UR
	1AA-12168-W0-00	PAD, ADJUSTING	20	UR
	1AA-12168-Y0-00	PAD, ADJUSTING	20	UR
	1AA-12169-10-00	PAD, ADJUSTING	20	UR
	1AA-12169-30-00	PAD, ADJUSTING	20	UR
	1AA-12169-50-00	PAD, ADJUSTING	20	UR
	1AA-12169-70-00	PAD, ADJUSTING	20	UR
	1AA-12169-90-00	PAD, ADJUSTING	20	UR
	1AA-12169-E0-00	PAD, ADJUSTING	20	UR

CONTINUED ON NEXT FRAME ➤

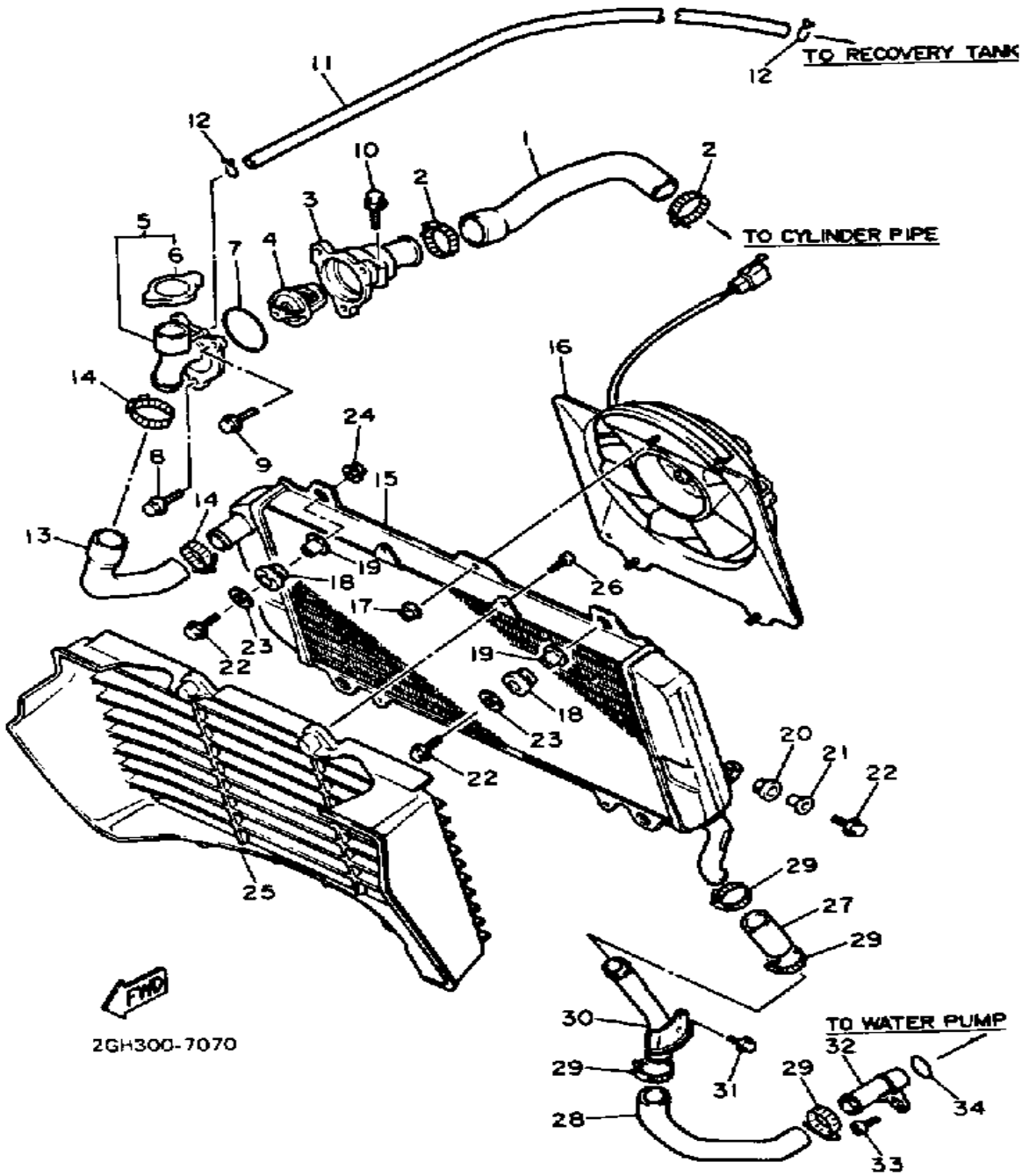
WATER PUMP



2GH300-7060

Ref. No.	Part Number	Description	Qty	Remarks
1	1UF-12421-09-00	HOUSING, WATER PUMP	1	
2	93306-00106-00	BEARING	1	
3	93101-12060-00	OIL SEAL	1	
4	11H-12438-00-00	SEAL, MECHANICAL	1	
5	1UF-12450-00-00	IMPELLER SHAFT ASSEMBLY	1	
6	99009-12400-00	CIRCLIP	1	
7	1AE-12439-00-00	O-RING	1	
8	93604-10011-00	PIN, DOWEL	2	
9	1AE-12422-00-00	COVER, HOUSING	1	
10	95026-06025-00	BOLT, FLANGE	3	
11	90430-06014-00	GASKET	1	
12	93210-33133-00	O-RING	1	
13	95026-06050-00	BOLT, FLANGE	2	
14	1AE-12481-00-00	PIPE 1	1	
15	93210-23787-00	O-RING	2	
16	95026-06012-00	BOLT, FLANGE	1	
17	1AE-12469-01-00	JOINT 1	1	
18	93210-30694-00	O-RING	2	
19	95026-06020-00	BOLT, FLANGE	1	
20	95026-06030-00	BOLT, FLANGE	1	
21	95026-06040-00	BOLT, FLANGE	2	
22	2GH-12482-00-00	PIPE 2	1	
23	93210-18417-00	O-RING	2	
24	91316-06012-00	BOLT, SOCKET HEAD	2	
25	2GH-14413-00-00	STAY	1	

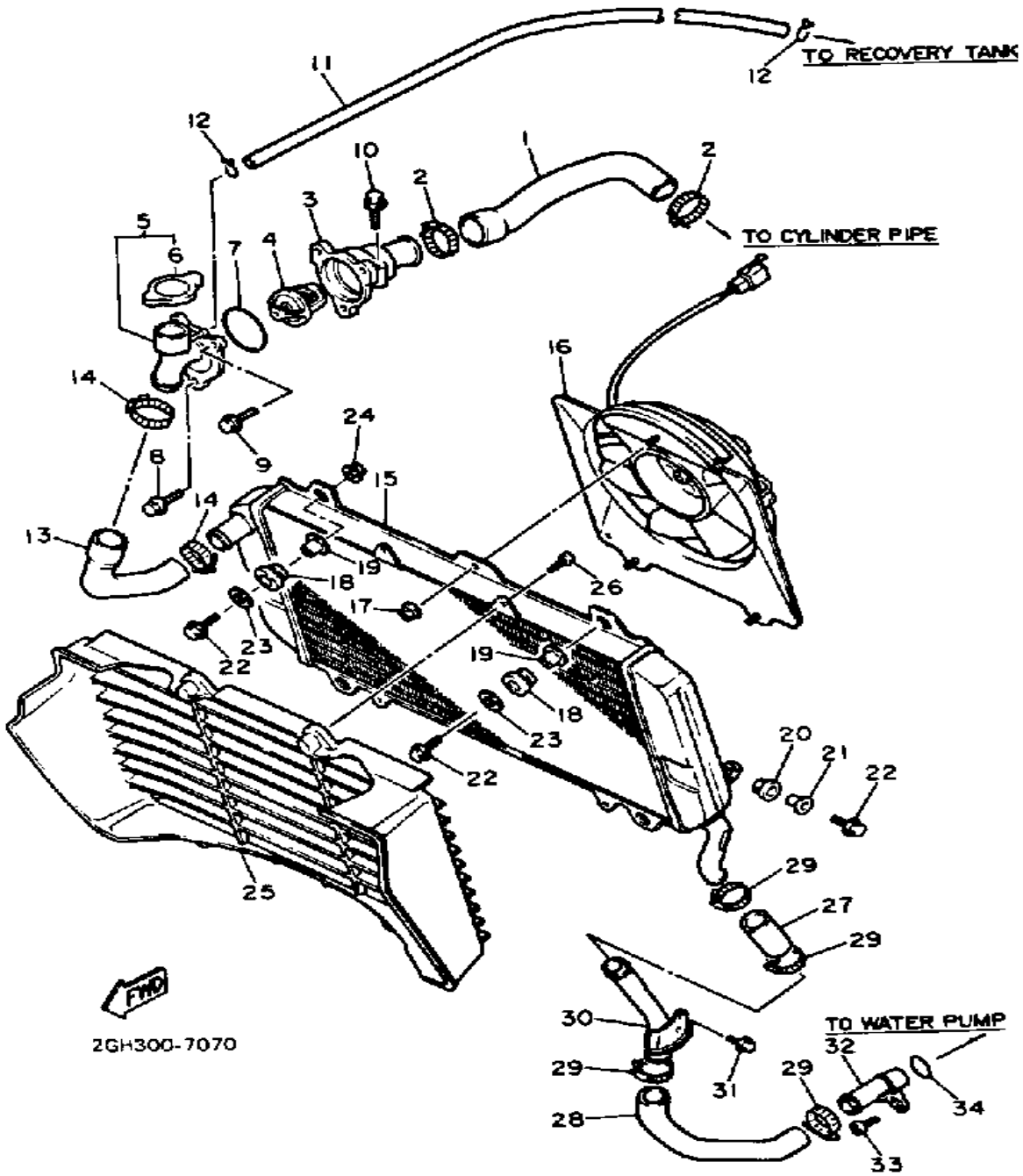
RADIATOR - HOSE



Ref. No.	Part Number	Description	Qty	Remarks
1	2GH-12576-00-00	HOSE 1	1	
2	90460-38285-00	CLAMP, HOSE	2	
3	1AE-12417-01-00	HOUSING THERMOSTAT	1	
4	1AE-12410-00-00	THERMOSTAT ASSEMBLY	1	
5	1AE-12590-00-00	CONDUCTION ASSEMBLY	1	
6	1AE-12462-00-00	. CAP, RADIATOR	1	
7	93210-49046-00	O-RING	1	
8	95023-06020-00	BOLT, FLANGE	1	
9	95026-06020-00	BOLT, FLANGE	2	
10	95816-06030-00	BOLT, FLANGE	1	
11	90445-096E8-00	HOSE	1	
12	90467-08003-00	CLIP	2	
13	2GH-12577-00-00	HOSE 2	1	
14	90460-38285-00	CLAMP, HOSE	2	
15	2GH-12461-00-00	RADIATOR ASSEMBLY	1	
16	2GH-12405-00-00	BLOWER ASSEMBLY	1	
17	95706-06500-00	NUT, FLANGE	3	
18	90480-18276-00	GROMMET	2	
19	90387-07037-00	COLLAR	2	
20	90480-10297-00	GROMMET	2	
21	90387-06033-00	COLLAR	2	
22	95826-06020-00	BOLT, flange (95806-06020-00)	4	
23	90201-06697-00	WASHER, PLATE	2	
24	95706-06500-00	NUT, FLANGE	1	
25	2GH-12467-00-00	COVER, RADIATOR	1	
26	97706-60514-00	SCREW, TAPPING	4	
27	2GH-12579-00-00	HOSE 4	1	
28	2GH-12578-00-00	HOSE 3	1	
29	90460-38185-00	UNAVAILABLE IN PRICE BOOK (90460-38241)	4	

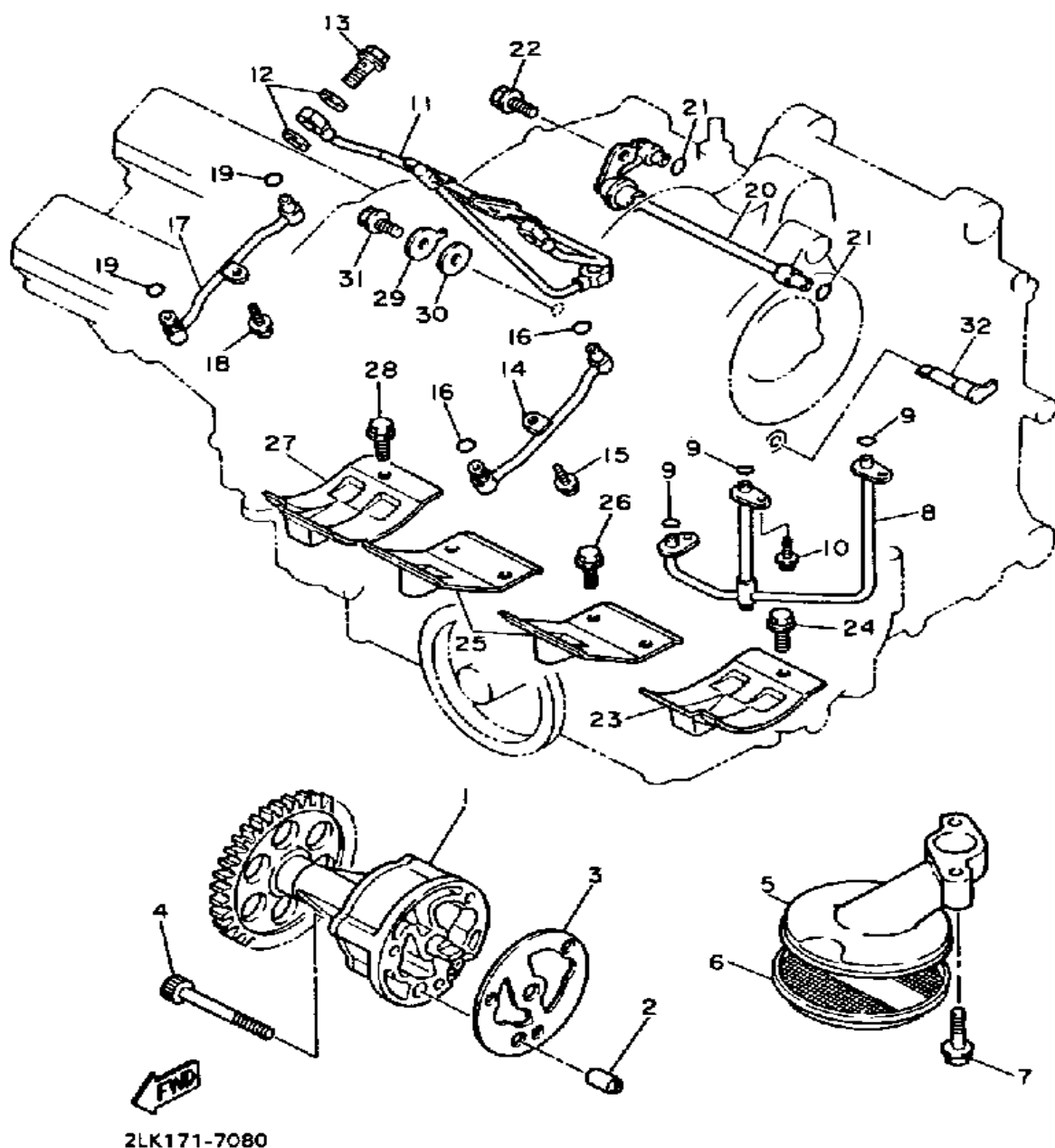
CONTINUED ON NEXT FRAME ➤

RADIATOR - HOSE



Ref. No.	Part Number	Description	Qty	Remarks
30	2GH-12483-01-00	PIPE 3	1	
31	95026-06012-00	BOLT, FLANGE	2	
32	2GH-12484-00-00	PIPE 4	1	
33	90110-06142-00	BOLT, HEXAGON SOCKET HEAD	1	
34	93210-23787-00	O-RING	1	

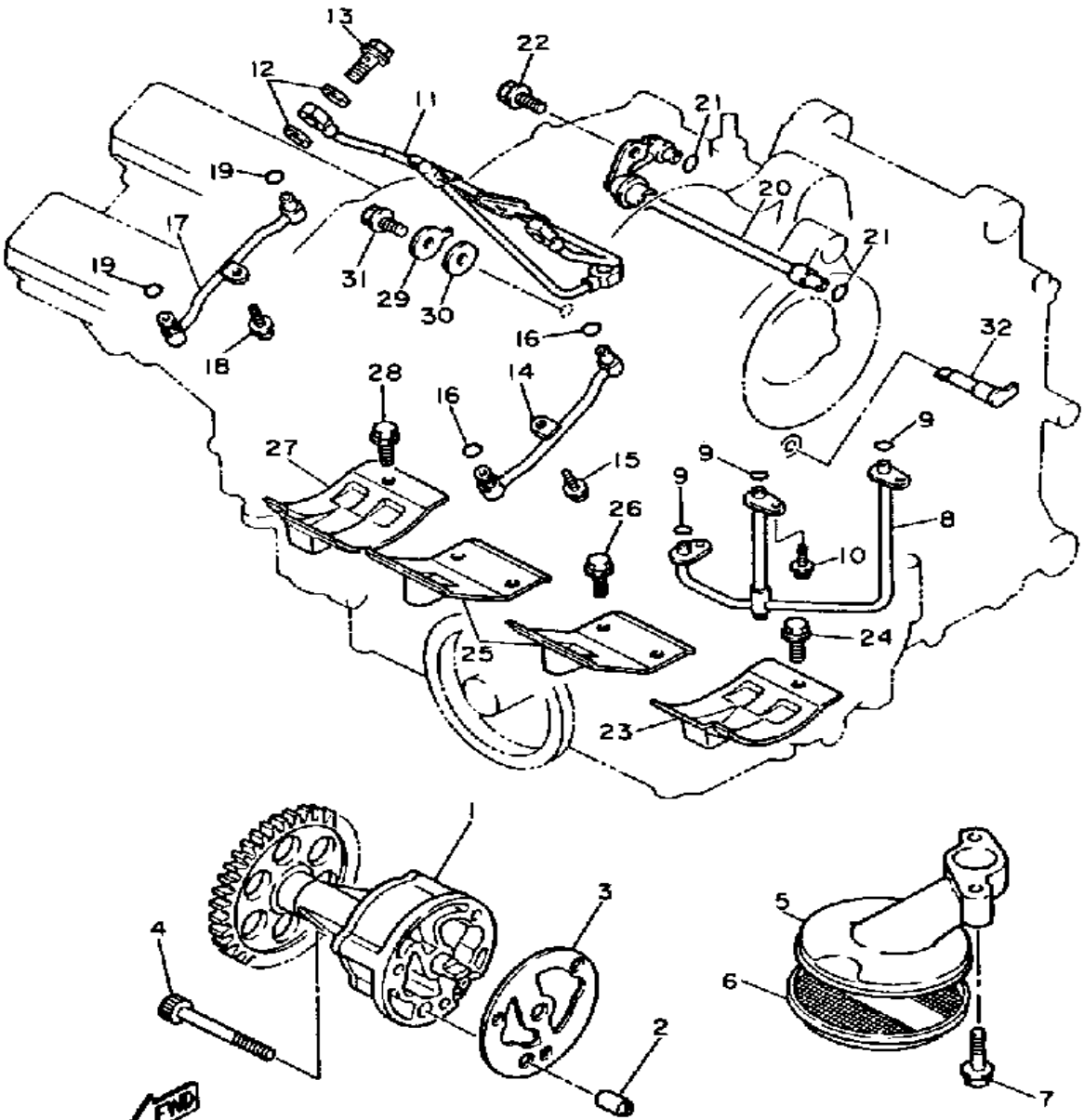
OIL PUMP



Ref. No.	Part Number	Description	Qty	Remarks
1	1AE-13300-00-00	OIL PUMP ASSEMBLY	1	
2	99510-08012-00	PIN, DOWEL	1	
3	2GH-13329-00-00	GASKET, PUMP COVER	1	
4	91316-06050-00	BOLT, SOCKET HEAD	3	
5	3KS-13412-00-00	HOUSING, STRAINER	1	
6	2GH-13411-00-00	STRAINER, OIL	1	
7	95026-06030-00	BOLT, FLANGE	2	
8	1AE-13161-00-00	PIPE, DELIVERY 1	1	
9	93210-06714-00	O-RING	3	
10	95026-06012-00	BOLT, FLANGE	2	
11	1AE-13171-01-00	PIPE, DELIVERY 2	1	
12	90430-10171-00	GASKET	6	
13	90401-10096-00	BOLT, UNION	3	
14	(2GH-13181-00-00)	PIPE, DELIVERY 3	1	
15	95026-06012-00	BOLT, FLANGE	1	
16	93210-06632-00	O-RING	2	
17	2GH-13191-00-00	PIPE, DELIVERY 4	1	
18	95026-06012-00	BOLT, FLANGE	1	
19	93210-06632-00	O-RING	2	
20	2GH-1316E-00-00	PIPE, DELEVERY 5	1	
21	93210-07135-00	O-RING	2	
22	95026-06012-00	BOLT, FLANGE	1	
23	2GH-15123-00-00	PLATE, BUFFLE 1	1	
24	95026-06012-00	BOLT, FLANGE	2	
25	1AE-15124-00-00	PLATE, BUFFLE 2	2	
26	95026-06012-00	BOLT, FLANGE	6	
27	2GH-15133-00-00	PLATE, BUFFLE 3	1	
28	95026-06012-00	BOLT, FLANGE	2	
29	90201-060K2-00	WASHER, PLATE	1	

CONTINUED ON NEXT FRAME ►

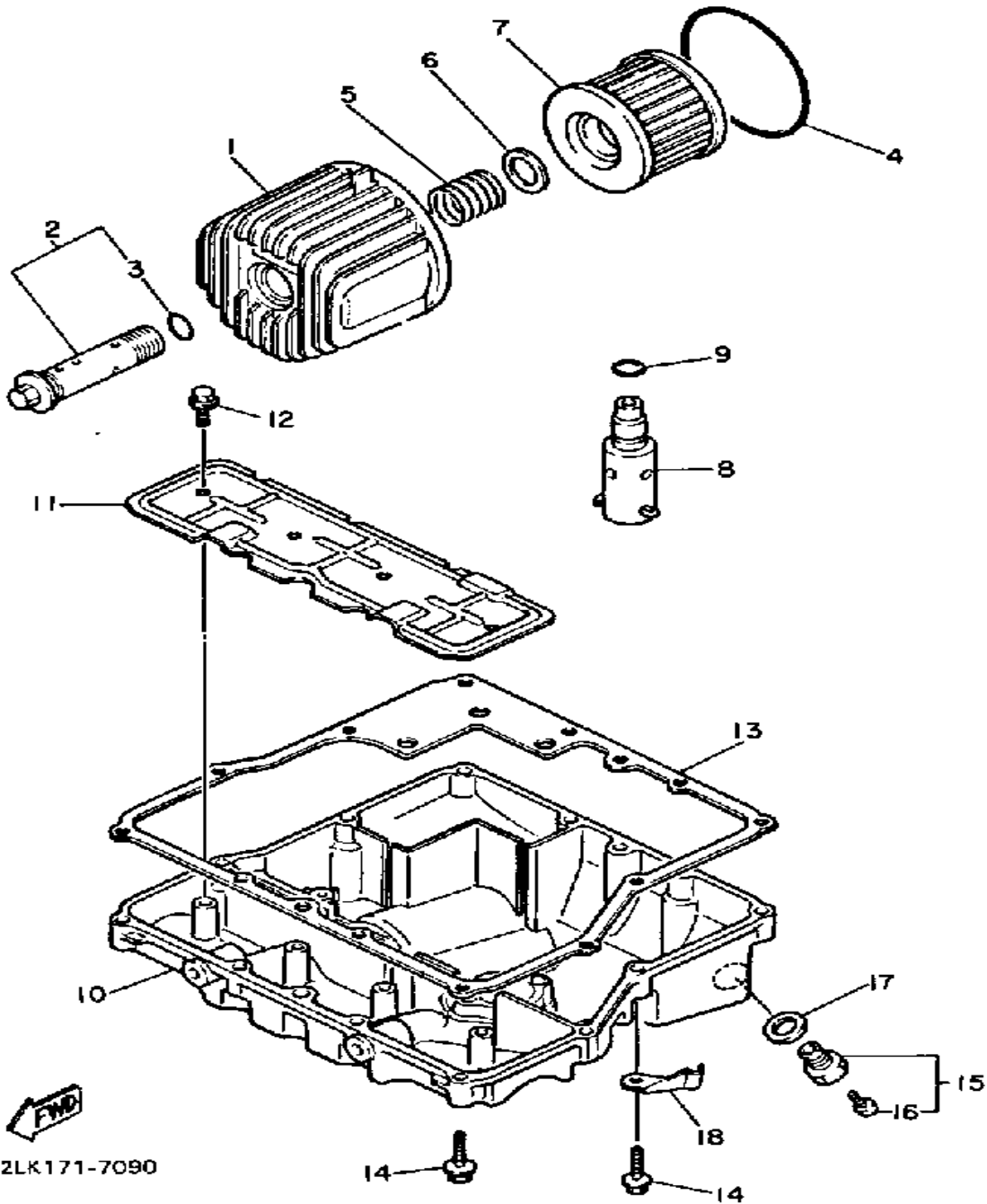
OIL PUMP



2LK171-7080

Ref. No.	Part Number	Description	Qty	Remarks
30	90430-06195-00	GASKET	1	
31	95811-06016-00	BOLT, FLANGE (95822-06016) .	1	
32	1AE-13454-00-00	NOZZLE	1	

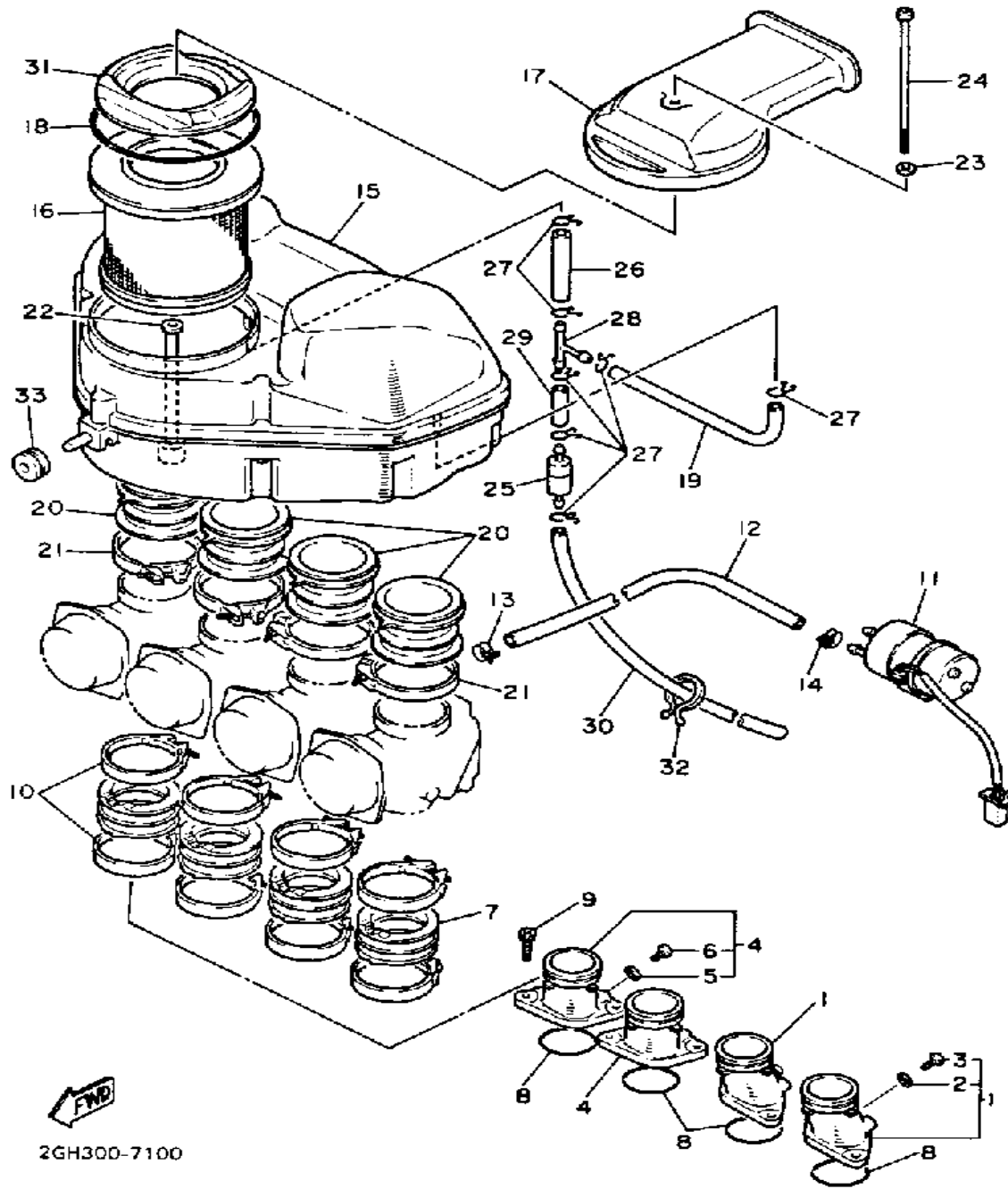
OIL FILTER



Ref. No.	Part Number	Description	Qty	Remarks
1	1AE-13447-00-00	COVER, OIL ELEMENTELEMENT	1	
2	36Y-13340-00-00	BY-PASS VALVE ASSEMBLY	1	
3	93210-16629-00	. O-RING	1	
4	93210-87723-00	O-RING	1	
5	90501-20422-00	SPRING, COMPRESSION	1	
6	90201-21608-00	WASHER, PLATE	1	
7	36Y-13441-00-00	ELEMENT, OIL CLNR	1	
8	36Y-13490-00-00	RELIEF VALVE ASSEMBLY	1	
9	93210-15566-00	O-RING	1	
10	2LJ-13417-00-00	COVER, STRAINER	1	
11	2GH-13337-00-00	PLATE, BAFFLE LOWER	1	
12	95026-06010-00	BOLT, FLANGE	4	
13	1AE-13414-01-00	GASKET STRNR COVER	1	
14	95026-06030-00	BOLT, FLANGE	12	
15	3VD-13455-00-00	PLUG	1	
16	98901-06008-00	. SCREW, BIND	1	
17	214-11198-01-00	GASKET	1	
18	90465-08076-00	CLAMP	1	

2LK171-7090

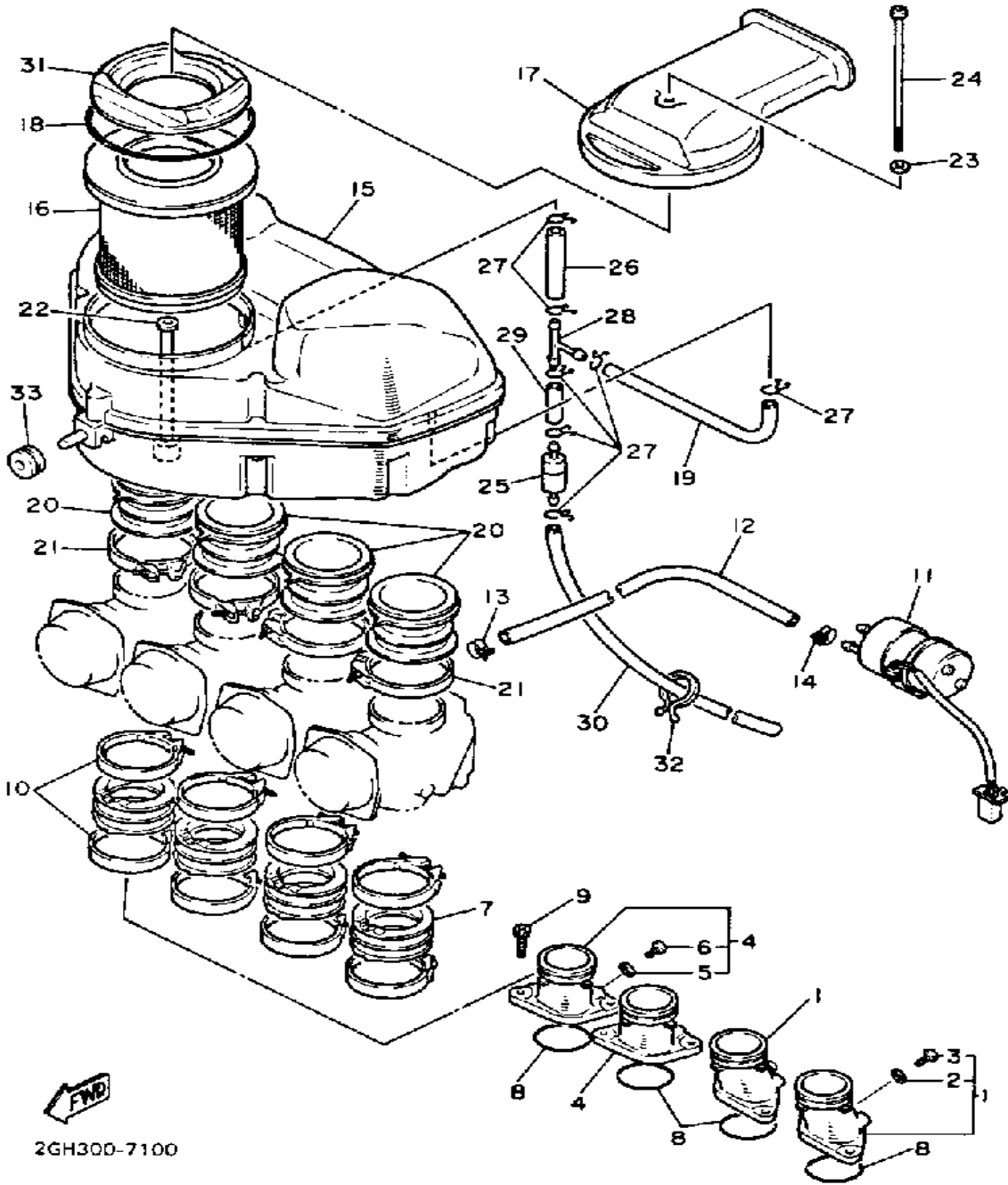
AIR FILTER (NON-CALIFORNIA MODEL)



Ref. No.	Part Number	Description	Qty	Remarks
1	2GH-13586-00-00	JOINT, CARBURETOR 1	2	2
2	90430-06014-00	. GASKET	1	
3	98580-06012-00	. SCREW, PAN HEAD	1	
4	2GH-13596-00-00	JOINT, CARBURETOR 2	2	4
5	90430-06014-00	. GASKET	1	
6	98580-06012-00	. SCREW, PAN HEAD	1	
7	2GH-13597-00-00	JOINT, CARB 3	4	
8	93210-40659-00	O-RING	4	
9	91316-06020-00	BOLT, SOCKET HEAD	8	
10	1AE-13575-00-00	BAND	8	
11	3CV-13907-00-00	FUEL PUMP COMP.	1	
12	90445-112F1-00	HOSE	1	
13	90460-12256-00	CLAMP, HOSE	1	
14	90460-11149-00	CLAMP, HOSE	1	
15	2GH-14401-00-00	INACTIVE PART NUMBERASSEMBLY	1	
16	1AE-14451-00-00	ELEMENT, AIR CLNR	1	
17	2GH-14422-00-00	CAP, CLEANER CASE 2	2	
18	5T0-14457-00-00	SEAL	1	
19	90445-11288-00	HOSE	1	
20	2GH-14453-01-00	JOINT, AIR CLNR 1	4	
21	90460-58015-00	CLAMP, HOSE	4	
22	1AE-14443-00-00	COLLAR	1	
23	92990-06600-00	WASHER, PLATE	1	
24	98511-06160-00	SCREW, PAN HEAD	1	
25	4X7-2149Y-00-00	FILTER ASSEMBLY	1	
26	90445-112E9-00	HOSE (59W)	1	
27	90467-10008-00	CLIP	7	
28	90413-07007-00	WAY 3	1	

CONTINUED ON NEXT FRAME ►

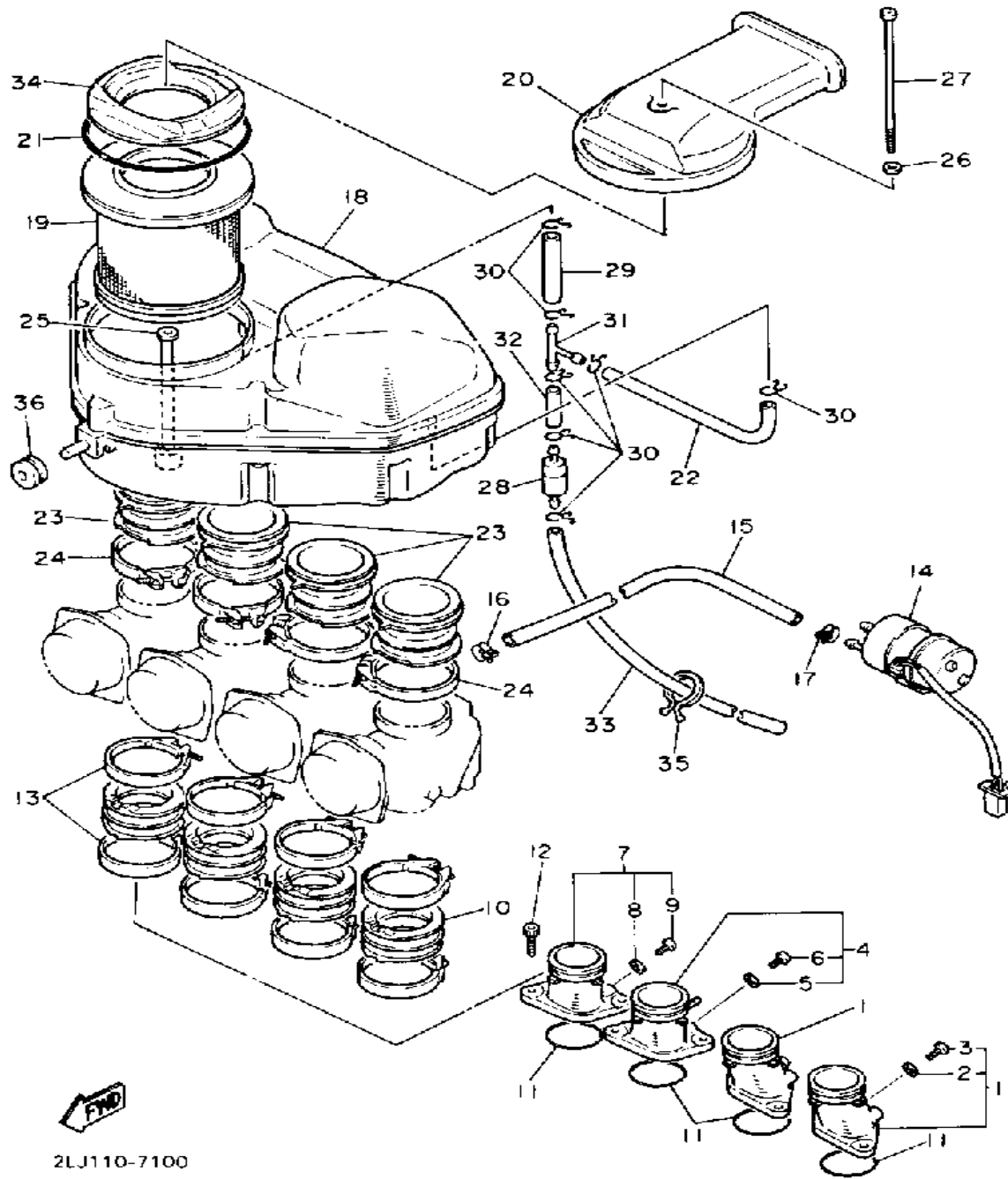
AIR FILTER (NON-CALIFORNIA MODEL)



2GH300-7100

Ref. No.	Part Number	Description	Qty	Remarks
29	90445-11262-00	HOSE	1	
30	90445-11698-00	HOSE	1	
31	2GH-14432-00-00	SILENSER, INNER	1	
32	90464-23041-00	CLAMP	1	
33	90480-18171-00	GROMMET	1	

AIR FILTER (CALIFORNIA MODEL ONLY)

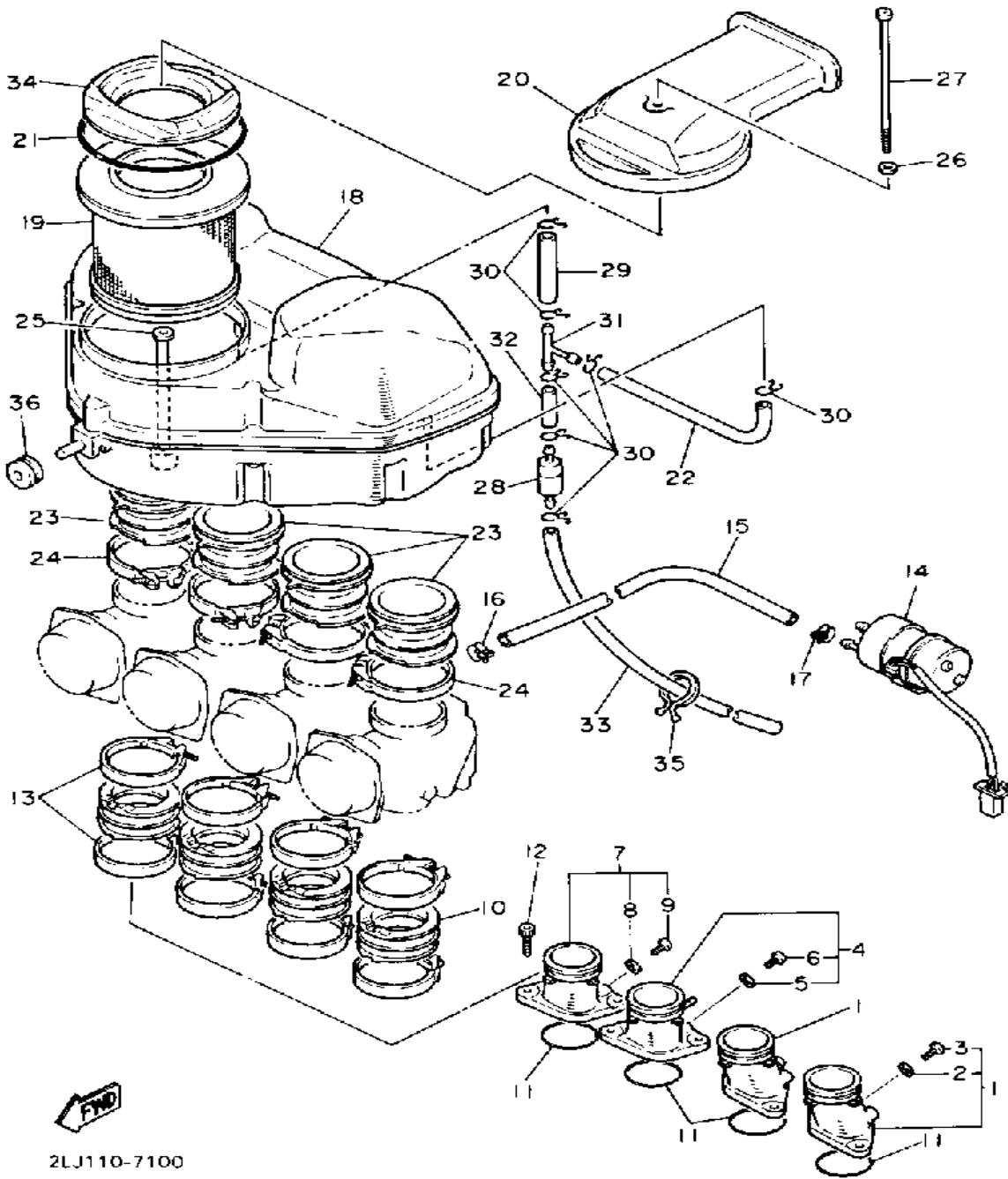


Ref. No.	Part Number	Description	Qty	Remarks
1	2GH-13586-00-00	JOINT, CARBURETOR 1	2	2
2	90430-06014-00	. GASKET	1	
3	98580-06012-00	. SCREW, PAN HEAD	1	
4	2LJ-13596-00-00	JOINT, CARBURETOR 1	1	
5	90430-06014-00	. GASKET	1	
6	98580-06012-00	. SCREW, PAN HEAD	1	
7	2GH-13596-00-00	JOINT, CARBURETOR 2	1	
8	90430-06014-00	. GASKET	1	
9	98580-06012-00	. SCREW, PAN HEAD	1	
10	2GH-13597-00-00	JOINT, CARB 3	4	
11	93210-40659-00	O-RING	4	
12	91316-06020-00	BOLT, SOCKET HEAD	8	
13	1AE-13575-00-00	BAND	8	
14	3CV-13907-00-00	FUEL PUMP COMP.	1	
15	90445-112F1-00	HOSE	1	
16	90460-12256-00	CLAMP, HOSE	1	
17	90460-11149-00	CLAMP, HOSE	1	
18	2GH-14401-00-00	INACTIVE PART NUMBERASSEMBLY	1	
19	1AE-14451-00-00	ELEMENT, AIR CLNR	1	
20	2GH-14422-00-00	CAP, CLEANER CASE 2	1	
21	5T0-14457-00-00	SEAL	1	
22	90445-11288-00	HOSE	1	
23	2LJ-14453-00-00	JOINT, AIR CLEANER 1	4	
24	90460-58015-00	CLAMP, HOSE	4	
25	1AE-14443-00-00	COLLAR	1	
26	92990-06600-00	WASHER, PLATE	1	
27	98511-06160-00	SCREW, PAN HEAD	1	
28	4X7-2149Y-00-00	FILTER ASSEMBLY	1	

CONTINUED ON NEXT FRAME ►

2LJ110-7100

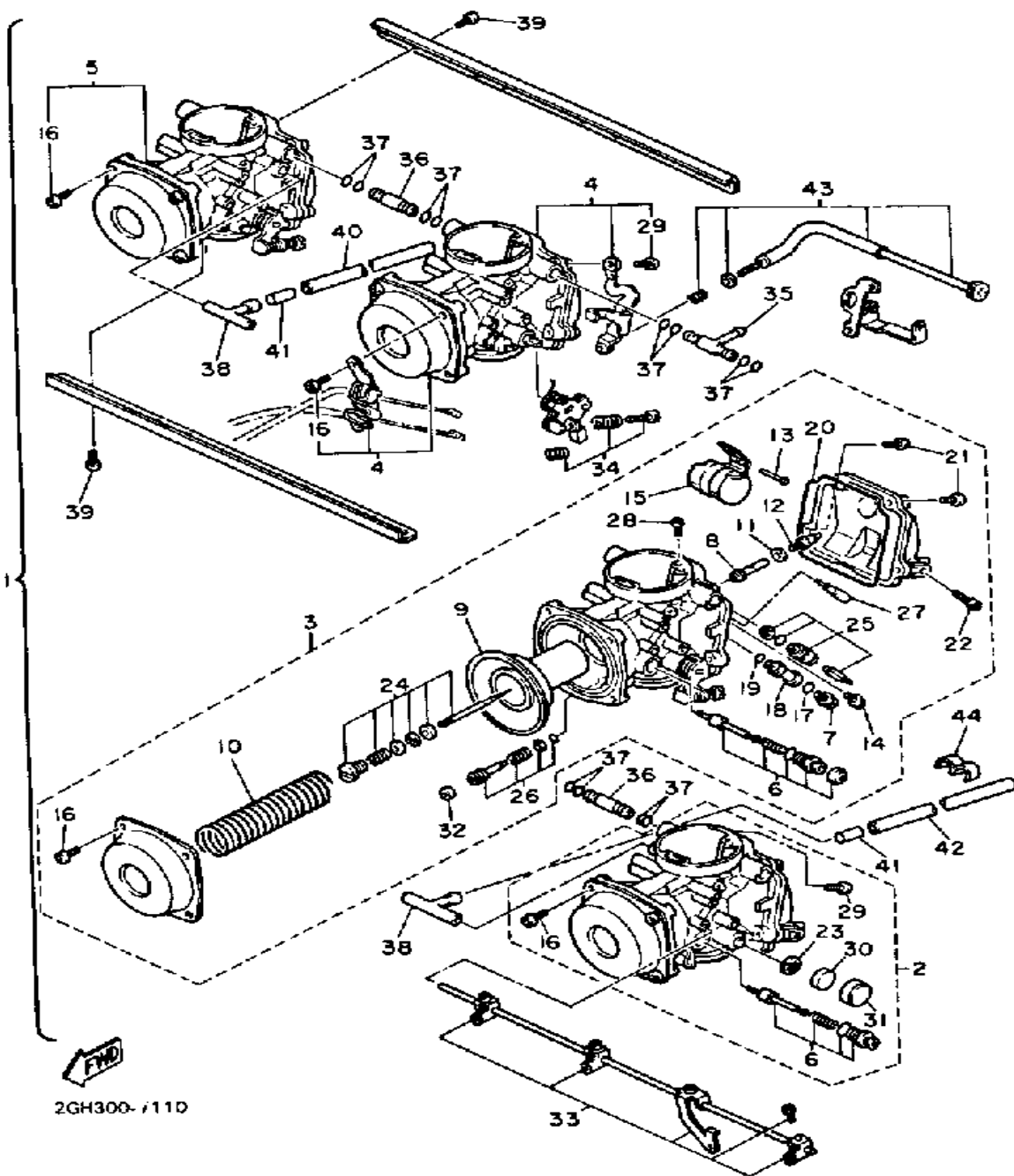
AIR FILTER (CALIFORNIA MODEL ONLY)



Ref. No.	Part Number	Description	Qty	Remarks
29	90445-112E9-00	HOSE (59W)	1	
30	90467-10008-00	CLIP	7	
31	90413-07007-00	WAY 3	1	
32	90445-11262-00	HOSE	1	
33	90445-11153-00	HOSE	1	
34	2GH-14432-00-00	SILENSER, INNER	1	
35	90464-23041-00	CLAMP	1	
36	90480-18171-00	GROMMET	1	

2LJ110-7100

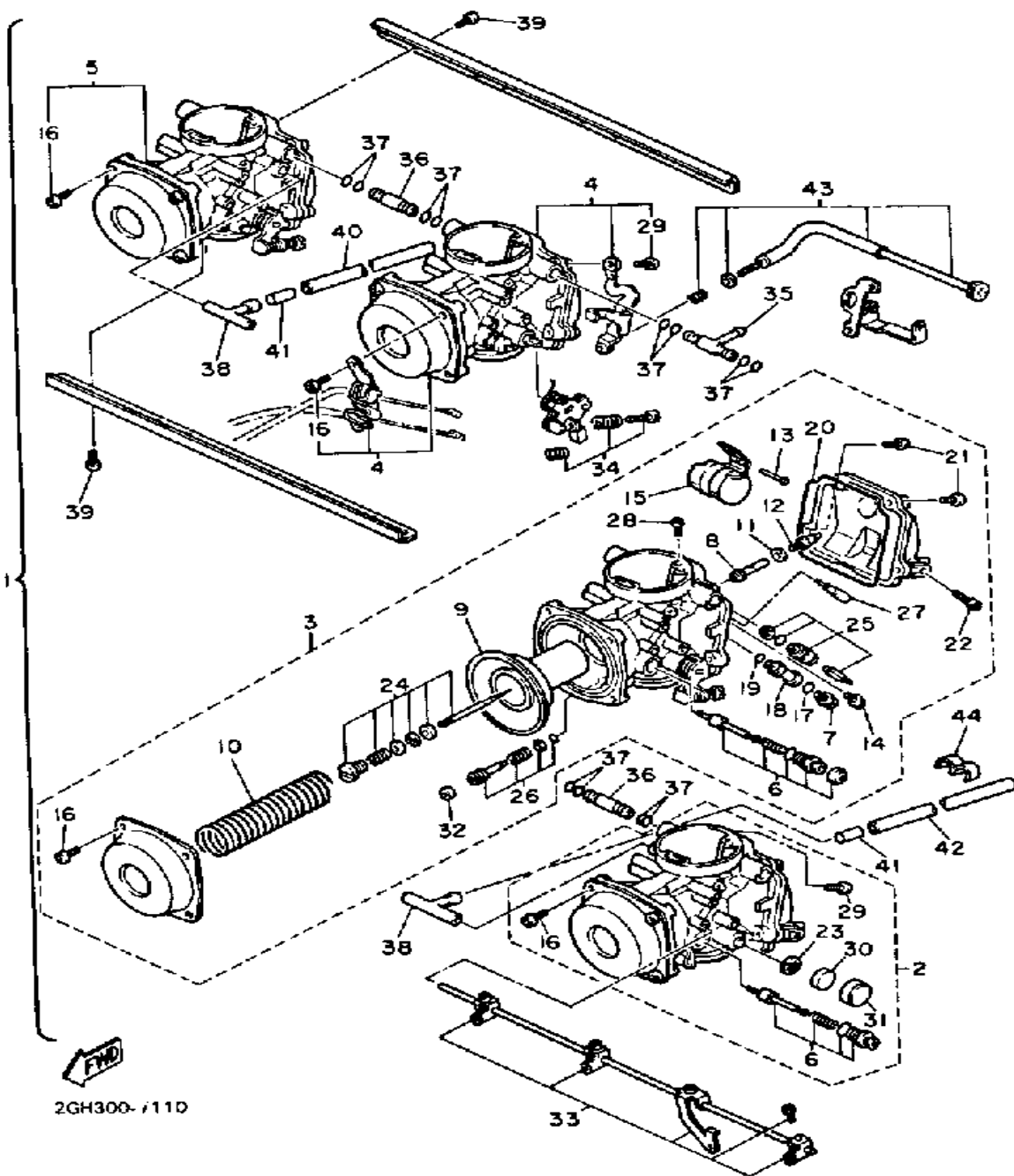
CARBURETOR



Ref. No.	Part Number	Description	Qty	Remarks
1	2LH-14900-00-00	UNAVAILABLE IN PRICE BOOK	1	
	2LJ-14900-00-00	UNAVAILABLE IN PRICE BOOK	1	
2	2LH-14901-00-00	. CARBURETOR ASSEMBLY 1	1	
	2LJ-14901-00-00	. CARBURETOR ASSEMBLY 1	1	
3	ϕ2L-H1490-20-00	. UNAVAILABLE IN PRICE BOOK	1	
	ϕ2L-J1490-20-00	. UNAVAILABLE IN PRICE BOOK	1	
4	2LH-14903-00-00	. CARBURETOR ASSEMBLY 3	1	
	ϕ2L-J1490-30-00	. UNAVAILABLE IN PRICE BOOK	1	
5	2LH-14904-00-00	. CARBURETOR ASSEMBLY 4	1	
	ϕ2L-J1490-40-00	. UNAVAILABLE IN PRICE BOOK	1	
6	1AE-1410A-00-00	.. STARTER SET	1	
	1FN-1410A-00-00	.. STARTER SET	1	
7	620-14231-21-A0	.. JET, MAIN (#105)	1	
	620-14231-22-A0	.. JET, MAIN #110 (620-14231-22)	1	
	620-1423A-72-00	.. JET, MAIN (#107.5)	1	
8	1AE-14141-90-00	.. NOZZLE, MAIN	1	
9	2LH-14940-00-00	.. DIAPHRAGM ASSEMBLY	1	
10	2LH-14933-00-00	.. SPRING, DIAPHRAGM	1	
11	137-14153-00-00	.. WASHER, MAIN JET	1	
12	1AE-14565-00-00	.. SCREW	1	
13	353-14186-00-00	.. PIN, FLOAT	1	
14	1FN-14565-00-00	.. SCREW	1	
15	1WG-14985-00-00	.. FLOAT	1	
16	98580-05010-00	.. SCREW, PAN HEAD	4	
17	1AE-14227-00-00	.. O-RING	1	

CONTINUED ON NEXT FRAME ►

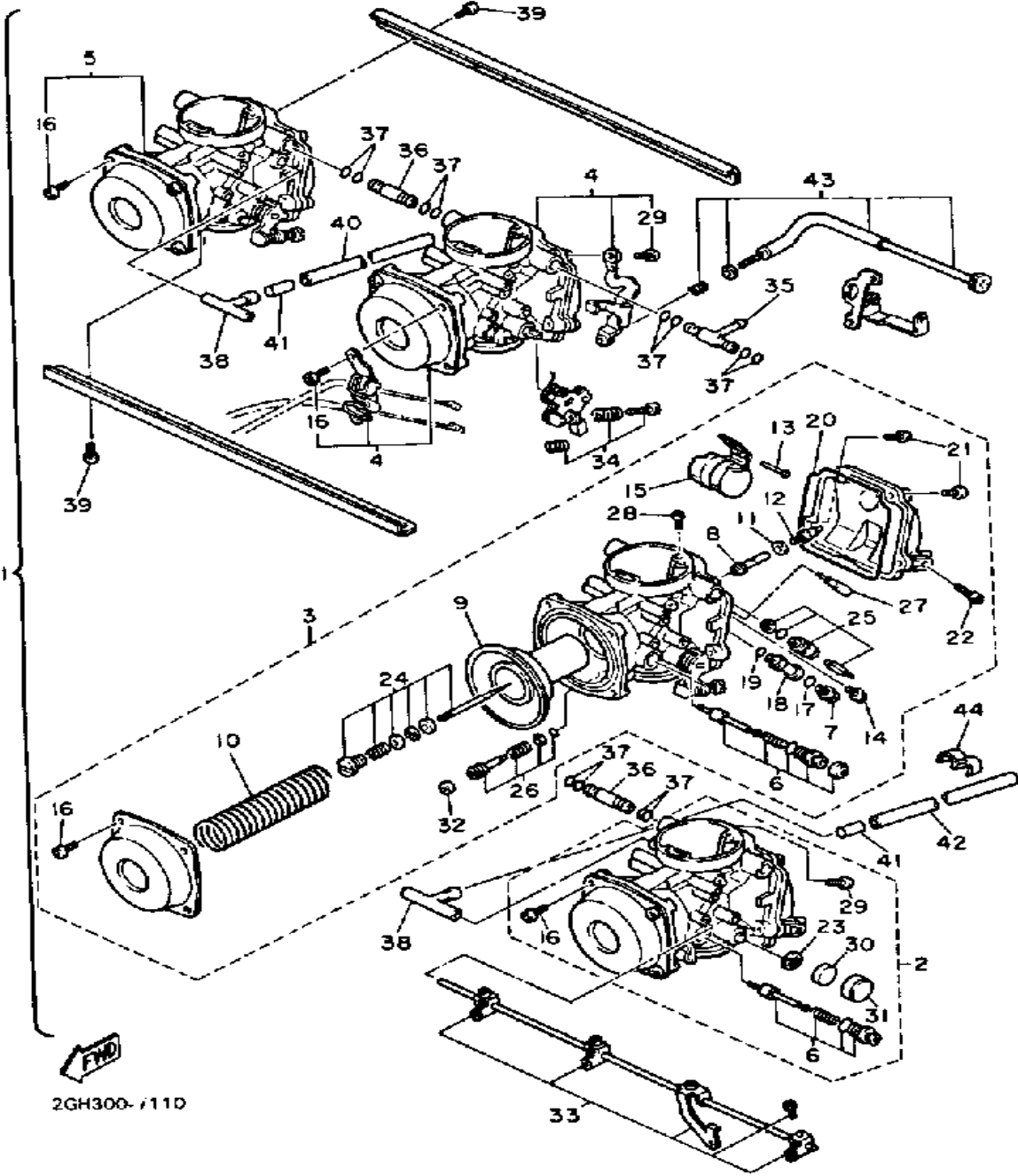
CARBURETOR



Ref. No.	Part Number	Description	Qty	Remarks
18	2LH-14261-00-00	.. HOLDER	1	
19	1AE-14237-00-00	.. GASKET	1	
20	1FN-14147-00-00	.. O-RING	1	
21	98503-04014-00	.. SCREW, PAN HEAD	2	
	98503-04014-00	.. SCREW, PAN HEAD	4	
22	12R-14191-00-00	.. PLUG, DRAIN	1	
23	812-14137-00-00	.. CLIP	1	
24	2LH-1490J-00-00	.. NEEDLE SET	1	
	2LH-1490J-10-00	.. NEEDLE SET	1	
25	1FN-14107-15-00	.. NEEDLE VALVE SET	1	
26	12R-14105-00-00	.. PILOT SCREW SET	1	
27	3H1-14142-17-00	.. JET, PILOT (#17.5)	1	
28	830-1423A-74-00	.. JET, MAIN (#117.5)	1	
29	98511-04016-00	.. SCREW, PAN HEAD	2	
30	36X-14169-00-00	.. CAP	1	
31	1AE-14169-00-00	.. CAP	1	
32	3F9-14118-00-00	.. CAP	1	
33	2LH-1490L-00-00	.. STARTER LEVER SE 1	1	
34	1F-N1490-K0-10	.. UNAVAILABLE IN PRICE BOOK	3	
35	1HX-14251-00-00	.. NIPPLE	1	
36	16H-14251-00-00	.. NIPPLE	2	
37	36Y-14147-00-00	.. O-RING	12	
38	1AE-14197-00-00	.. PIPE	2	
39	98580-05010-00	.. SCREW, PAN HEAD	16	
40	(2LH-14197-00-00)	PIPE	1	
41	1FN-14918-00-00	.. RING	2	
42	(2LH-14197-00-00)	PIPE	1	
	4G0-14197-00-00	.. PIPE (2GH-14197-00-00)	1	

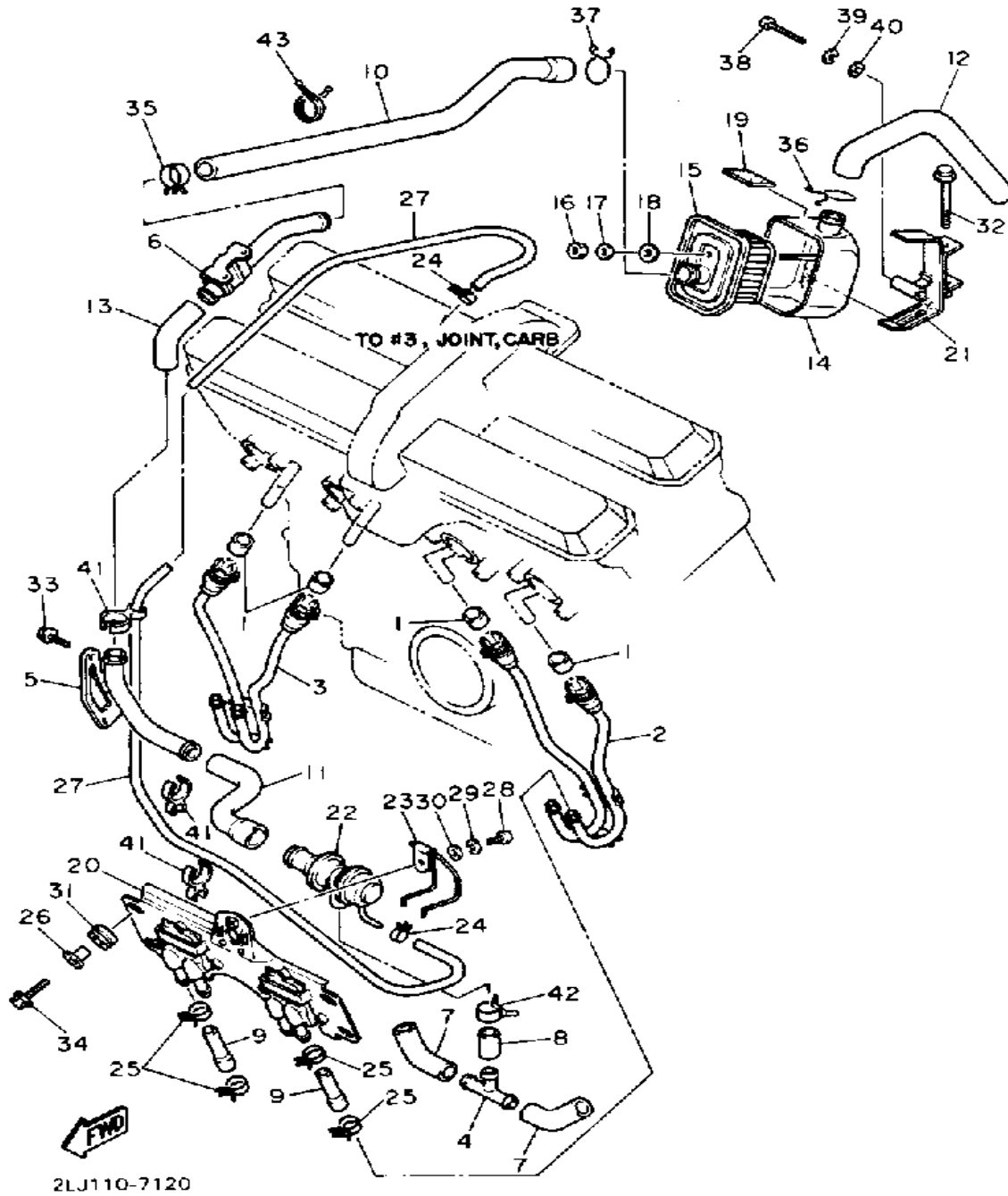
CONTINUED ON NEXT FRAME ►

CARBURETOR



Ref. No.	Part Number	Description	Qty	Remarks
43	2LE-14103-00-00	. THROTTLE SCREW SET	1	
44	90464-10075-00	CLAMP	1	

AIR INDUCTION SYSTEM (CALIFORNIA MOD)

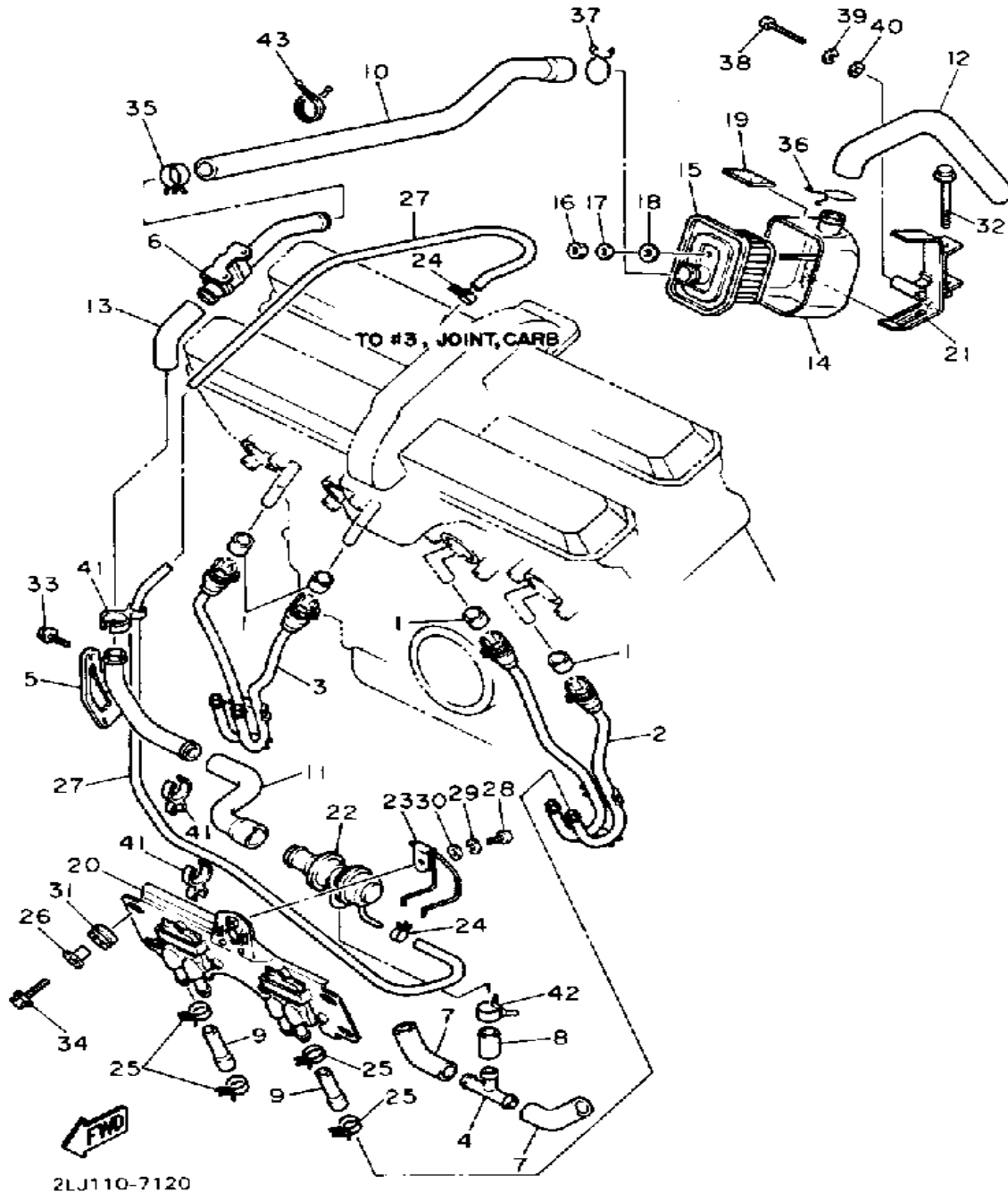


2LJ110-7120

Ref. No.	Part Number	Description	Qty	Remarks
1	42H-14714-00-00	GASKET, MUFFLER	4	
2	¢2L-J1487-10-00	UNAVAILABLE IN PRICE BOOK	1	
3	(2LJ-14872-00-00)	PIPE 2	1	
4	¢2L-J1487-40-00	PIPE 4	1	
5	¢2L-J1487-50-00	UNAVAILABLE IN PRICE BOOK	1	
6	¢2L-J1487-60-00	UNAVAILABLE IN PRICE BOOK	1	
7	¢2L-J1488-10-00	HOSE, BEND 1	2	
8	(2LJ-14882-00-00)	HOSE, BEND 2	1	
9	¢2L-J1488-30-00	HOSE, BEND 3	4	
10	¢2L-J1488-40-00	UNAVAILABLE IN PRICE BOOK	1	
11	¢2L-J1488-50-00	UNAVAILABLE IN PRICE BOOK	1	
12	¢2L-J1488-60-00	UNAVAILABLE IN PRICE BOOK	1	
13	¢2L-J1414-80-00	UNAVAILABLE IN PRICE BOOK	1	
14	42H-14857-00-00	CASE, AIR CLEANER	1	
15	42H-14858-00-00	CAP, CASE	1	
16	95380-05600-00	NUT	1	
17	92990-05200-00	WASHER, PLAIN	1	
18	90202-05057-00	WASHER, PLATE	1	
19	5H0-8235Y-M0-00	DAMPER, LOCATING 5 (2GH-24185-00-00)	1	
20	¢2L-J1480-80-00	UNAVAILABLE IN PRICE BOOK	1	
21	¢2L-J1486-80-00	UNAVAILABLE IN PRICE BOOK	1	
22	1TA-14840-00-00	AIR CUT VALVE ASS'Y	1	
23	90462-20188-00	CLAMP	1	
24	90467-08092-00	CLIP	2	
25	90468-08104-00	CLIP	8	
26	90387-07391-00	COLLAR	4	
27	(90445-094E8-00)	HOSE	1	
28	98506-06016-00	SCREW, PANHEAD	1	

CONTINUED ON NEXT FRAME ►

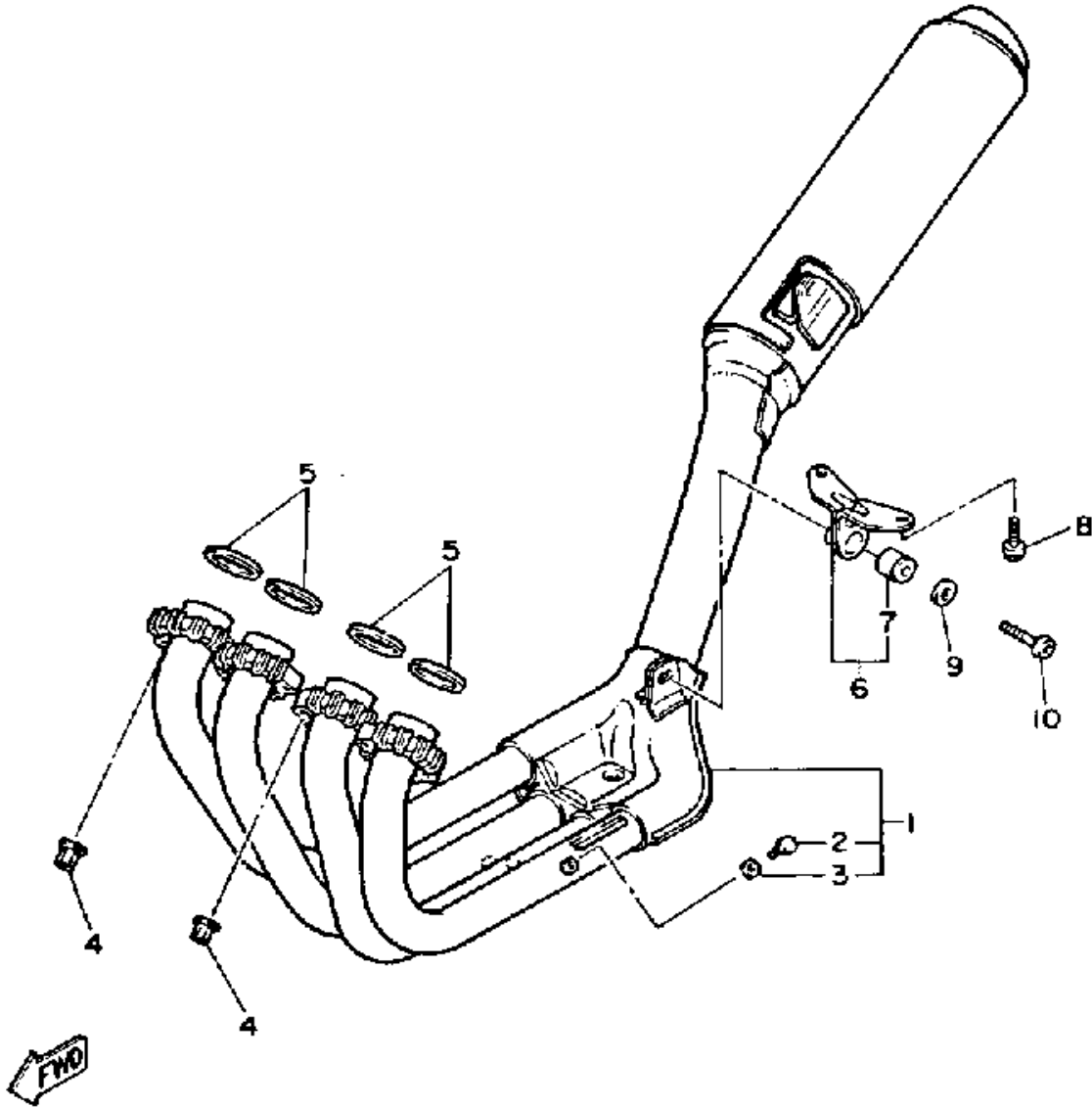
AIR INDUCTION SYSTEM (CALIFORNIA MOD)



Ref. No.	Part Number	Description	Qty	Remarks
29	92906-06100-00	WASHER, SPRING	1	
30	92906-06600-00	WASHER	1	
31	90480-14229-00	GROMMET	4	
32	95816-06055-00	BOLT, FLANGE	1	
33	95026-06012-00	BOLT, FLANGE	2	
34	95026-06020-00	BOLT, FLANGE	4	
35	90467-20085-00	CLIP	1	
36	90467-22080-00	CLIP	1	
37	90467-26111-00	CLIP	1	
38	98503-06014-00	SCREW, PAN HEAD (92502-06016)	1	
39	92995-06100-00	WASHER, SPRING	1	
40	92990-06600-00	WASHER, PLATE	1	
41	90-46419-11-00	UNAVAILABLE IN PRICE BOOK	3	
42	90467-17089-00	CLIP	1	
43	90464-30040-00	CLAMP	1	

EXHAUST

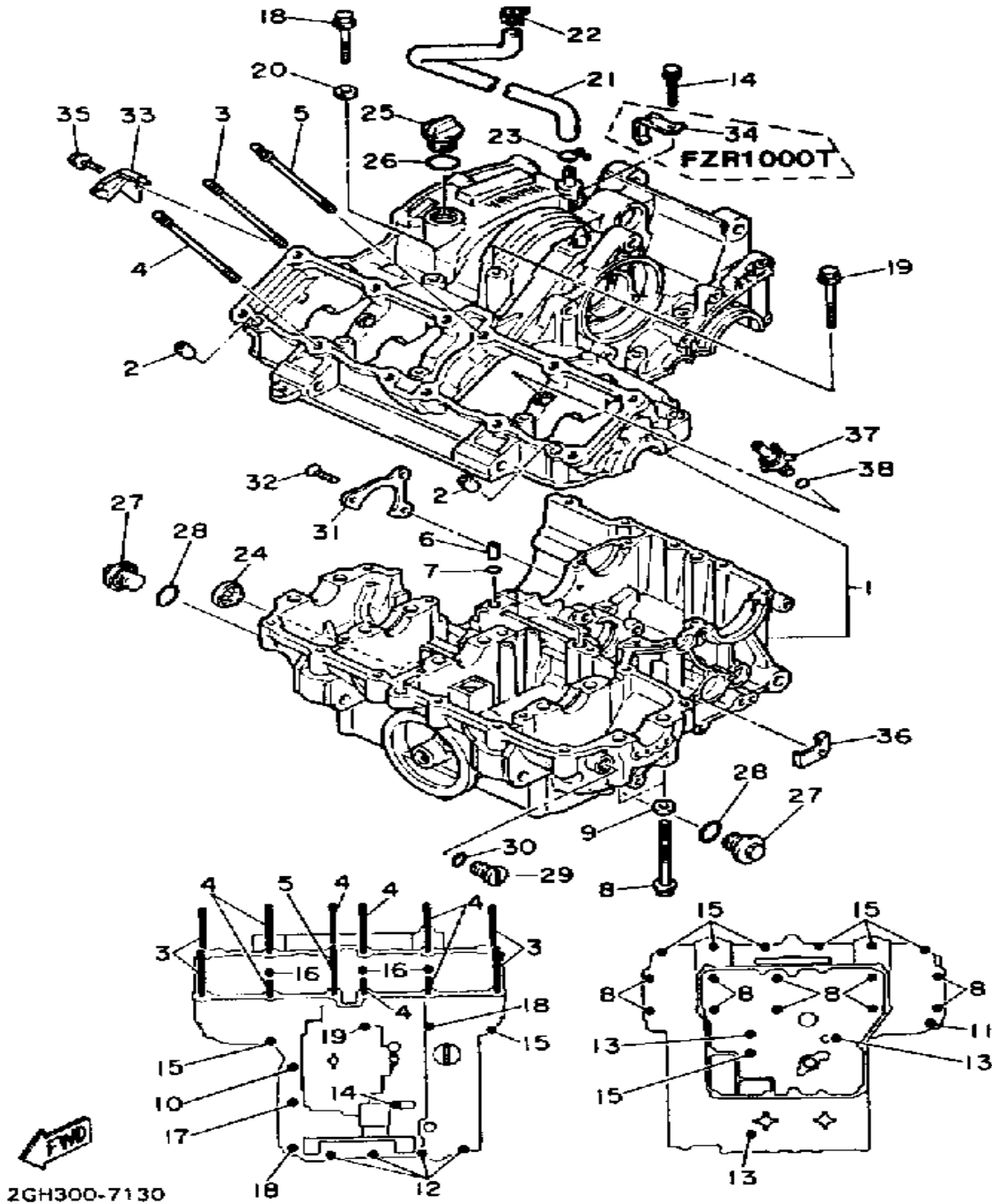
Ref. No.	Part Number	Description	Qty	Remarks
1	2LH-14710-00-00	MUFFLER ASSEMBLY 1	1	
2	90101-06576-00	. BOLT	4	
3	92906-06600-00	. WASHER	4	
4	90179-06500-00	NUT	8	
5	3YF-14613-01-00	GASKET, EXHAUST PIPE	4	
6	2GH-14791-00-00	STAY, MUFFLER	1	
7	36Y-27414-00-00	. DAMPER, FOOTREST	1	
8	90110-08096-00	BOLT, HEXAGON SOCKET HEAD	2	
9	90201-081H4-00	WASHER, PLATE	1	
10	90109-083A8-00	BOLT	1	



2GH300-7120

CRANKCASE

Ref. No.	Part Number	Description	Qty	Remarks
1	2GH-15100-02-00	CRANKCASE ASSEMBLY	1	
2	99530-10014-00	PIN, DOWEL	2	
3	90116-09458-00	BOLT, STUD	4	
4	90116-09500-00	BOLT, STUD	7	
5	90116-09501-00	BOLT, STUD	1	
6	90387-05383-00	COLLAR	2	
7	93210-07135-00	O-RING	2	
8	90105-09373-00	BOLT, WASHER BASED	10	
9	90201-096J9-00	WASHER, PLATE	4	
10	95816-06035-00	BOLT, FLANGE	1	
11	95816-08045-00	BOLT, FLANGE	1	
12	95816-06060-00	BOLT, FLANGE	4	
13	95816-06080-00	BOLT, FLANGE	3	
14	95816-06140-00	BOLT, FLANGE	1	
15	95816-08045-00	BOLT, FLANGE	9	
16	95816-08055-00	BOLT, FLANGE (91006-08055-00)	3	
17	95816-08065-00	BOLT, FLANGE	1	
18	95816-08090-00	BOLT, FLANGE	2	
19	95816-08135-00	BOLT, FLANGE	1	
20	90201-08087-00	WASHER, PLATE	1	
21	1AE-11166-00-00	PIPE, BREATHER 1	1	
22	90467-15054-00	CLIP	1	
23	90467-14015-00	CLIP	1	
24	2H7-15361-00-00	GAUGE, LEVEL	1	
25	2H9-15363-00-00	PLUG, OIL	1	
26	93210-27778-00	O-RING	1	
27	4H7-15189-00-00	PLUG	2	
28	93210-20573-00	O-RING	2	

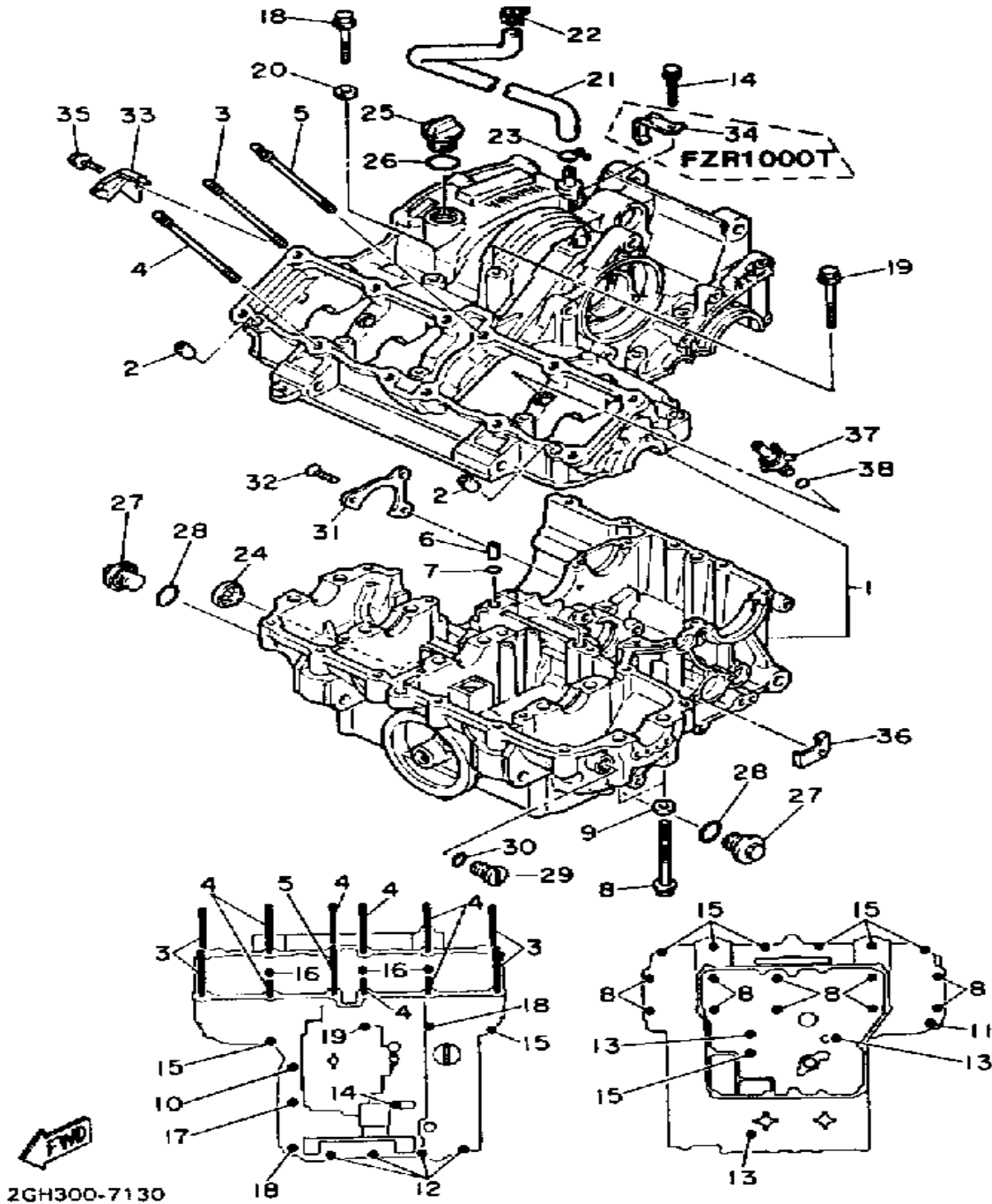


2GH300-7130

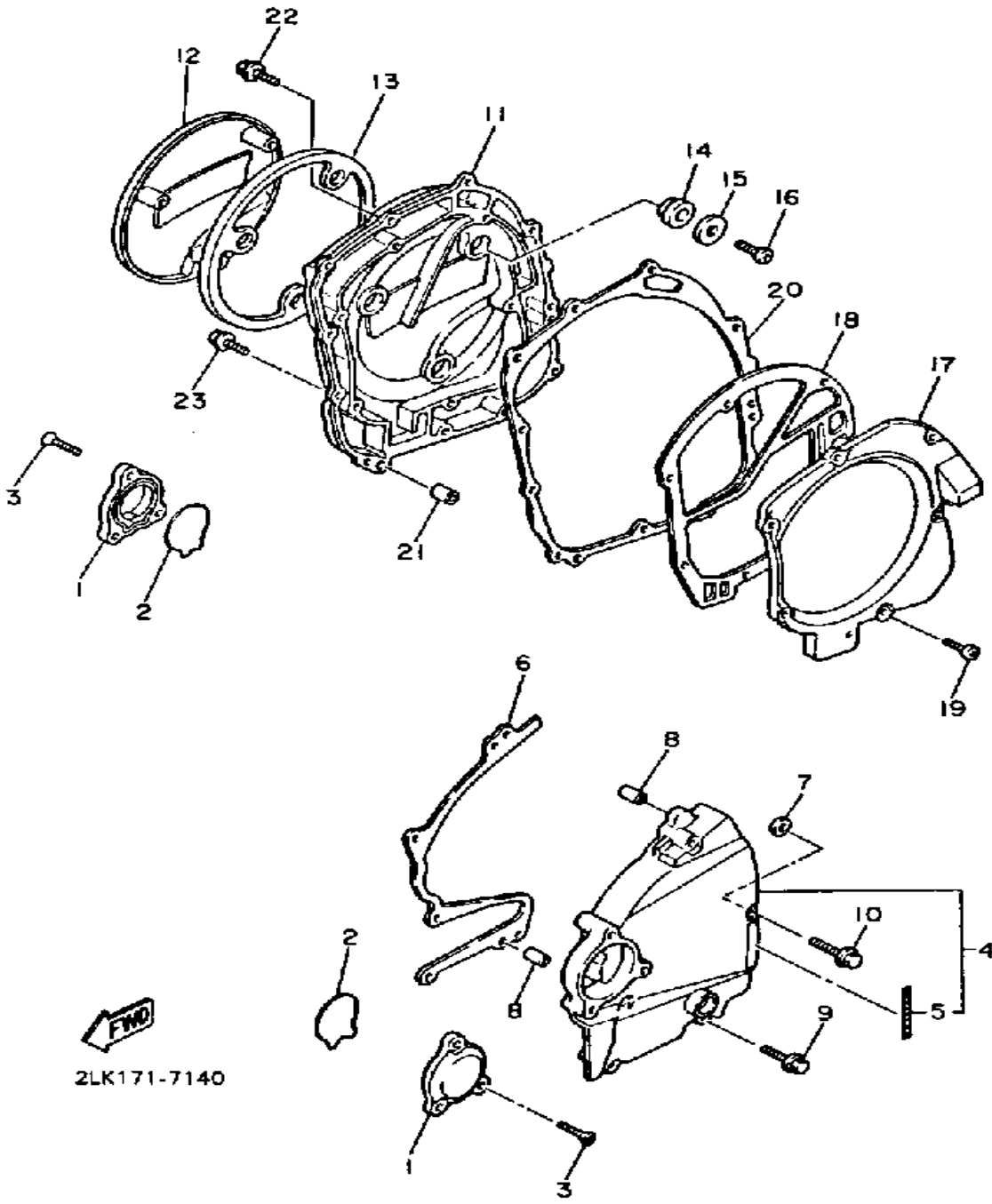
CONTINUED ON NEXT FRAME ►

CRANKCASE

Ref. No.	Part Number	Description	Qty	Remarks
29	90340-14079-00	PLUG, STRAIGHT SCRW	1	
30	93210-14369-00	O-RING	1	
31	1AE-15383-00-00	PLATE, BEARING COVER	1	
32	90151-06014-00	SCREW, COUNTERSUNK	3	
33	90465-08281-00	CLAMP	1	
34	95026-06012-00	BOLT, FLANGE	1	
35	90462-08158-00	CLAMP	1	
36	2GH-15105-01-00	NOZZLE ASSEMBLY	2	
37	93210-06632-00	O-RING	2	



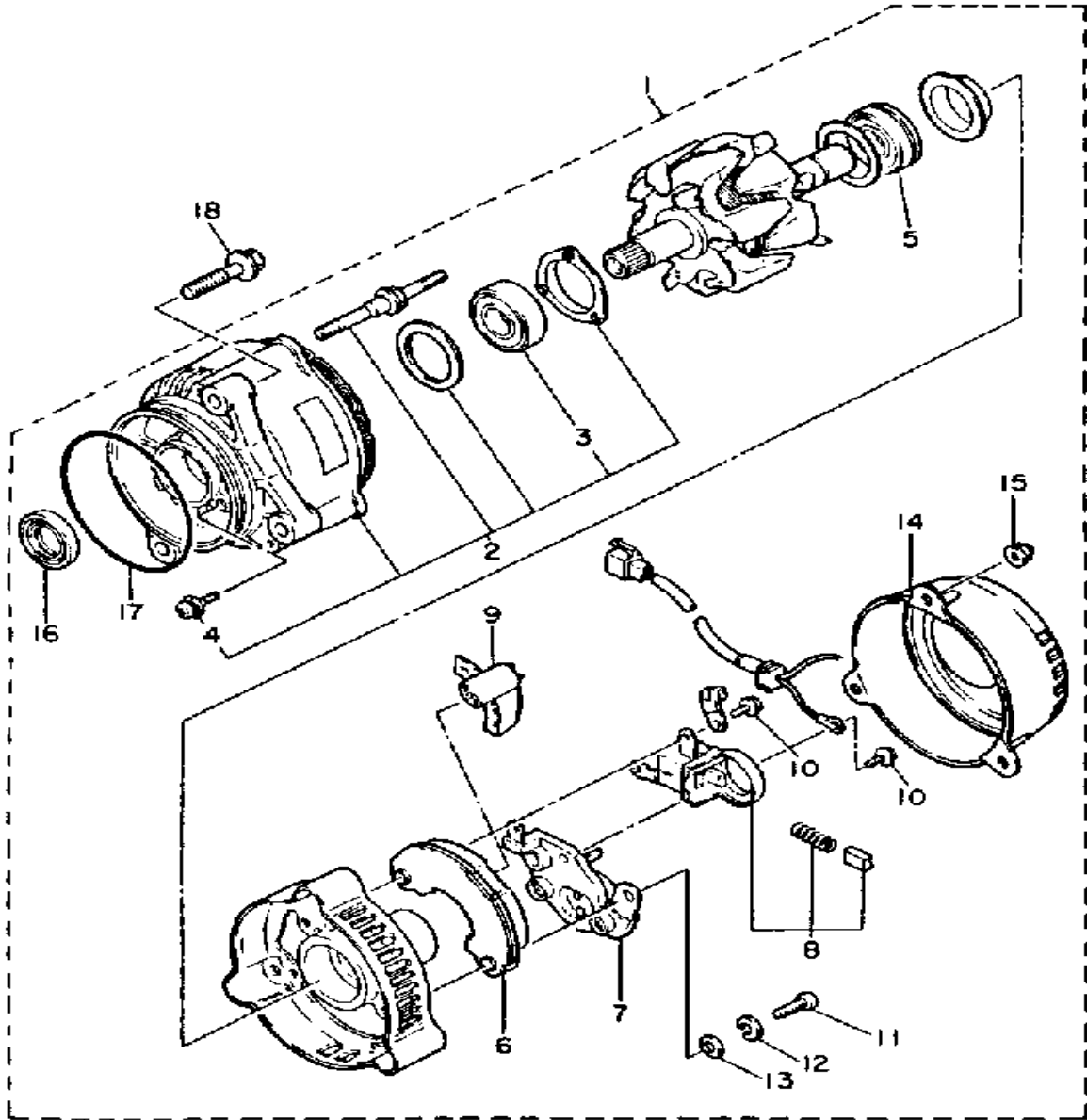
CRANKCASE COVER



Ref. No.	Part Number	Description	Qty	Remarks
1	1TV-15416-00-00	COVER, OIL PUMP	2	
2	1AE-15456-00-00	GASKET, OIL PUMP COVER 1	2	
3	90152-06014-00	SCREW, COUNTERSUNK	6	
4	2GH-15410-01-00	CRCS COVER ASSEMBLY LASS"Y 1 (2GH-15410-00)	1	
5	2GH-15435-00-00	. EMBLEM	1	
6	4BH-15451-00-00	GASKET, CRANKCASE COVER 1	1	
7	1UF-15467-00-00	GASKET	1	
8	99510-08012-00	PIN, DOWEL	2	
9	95026-06040-00	BOLT, FLANGE	3	
10	95026-06050-00	BOLT, FLANGE	2	
11	2GH-15421-00-00	COVER, CRANKCASE R	1	
12	1TV-15417-00-00	COVER, CAP	1	
13	1AE-15449-00-00	RING, RUBBER	1	
14	4H7-15486-00-00	GROMMET	3	
15	90209-06096-00	WASHER	3	
16	98580-06010-00	SCREW, PAN HEAD (92503-06010)	3	
17	2GH-15346-00-00	BREATHER 1	1	
18	2GH-15463-00-00	GASKET, CARB CVR 2COVER 2	1	
19	98580-06020-00	SCREW	6	
20	4BH-15461-00-00	GASKET, CRANKCASE COVER 2	1	
21	99510-08012-00	PIN, DOWEL	2	
22	95026-06030-00	BOLT, FLANGE	2	
23	95026-06020-00	BOLT, FLANGE	9	

2LK171-7140

GENERATOR



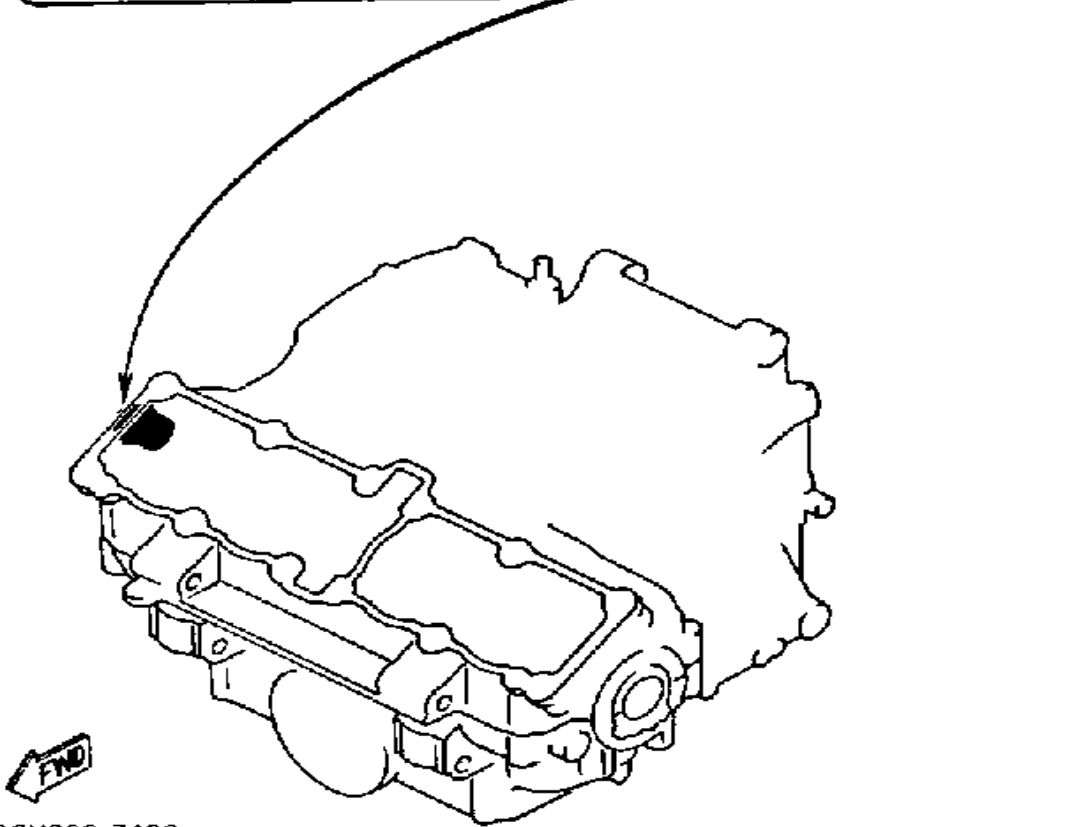
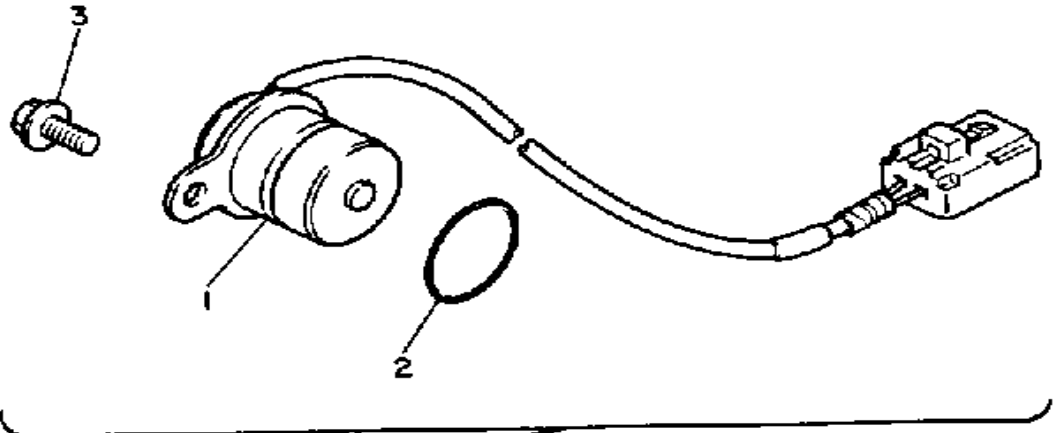
Ref. No.	Part Number	Description	Qty	Remarks
1	2GH-81600-55-00	A.C. GENERATOR ASSEMBLY	1	
2	2KT-81634-50-00	. STATOR ASSEMBLY	1	
3	36Y-81643-30-00	.. BEARING	1	
4	2KT-81645-50-00	.. SCREW	3	
5	36Y-81643-50-00	. BEARING	1	
6	36Y-81970-50-00	. RECTIFIER ASSEMBLY	1	
7	36Y-81910-50-00	. VOLTAGE REGULATOR ASSEMBLY	1	
8	3FV-81619-00-00	. BRUSH HOLDER ASSEMBLY	1	
9	36Y-81972-50-00	. COVER, RECTIFIER	1	
10	36Y-81645-30-00	. SCREW	2	
11	98501-05018-00	. SCREW, PAN HEAD	3	
12	92990-05100-00	. WASHER, SPRING	3	
13	92901-05600-00	. WASHER, PLATE	3	
14	2GH-81604-50-00	. COVER ASSEMBLY	1	
15	2KT-81675-50-00	. NUT	3	
16	36Y-81638-50-00	. OIL SEAL	1	
17	2KT-81642-50-00	. O-RING	1	
18	95816-08030-00	BOLT, FLANGE	3	



2GH300-7380

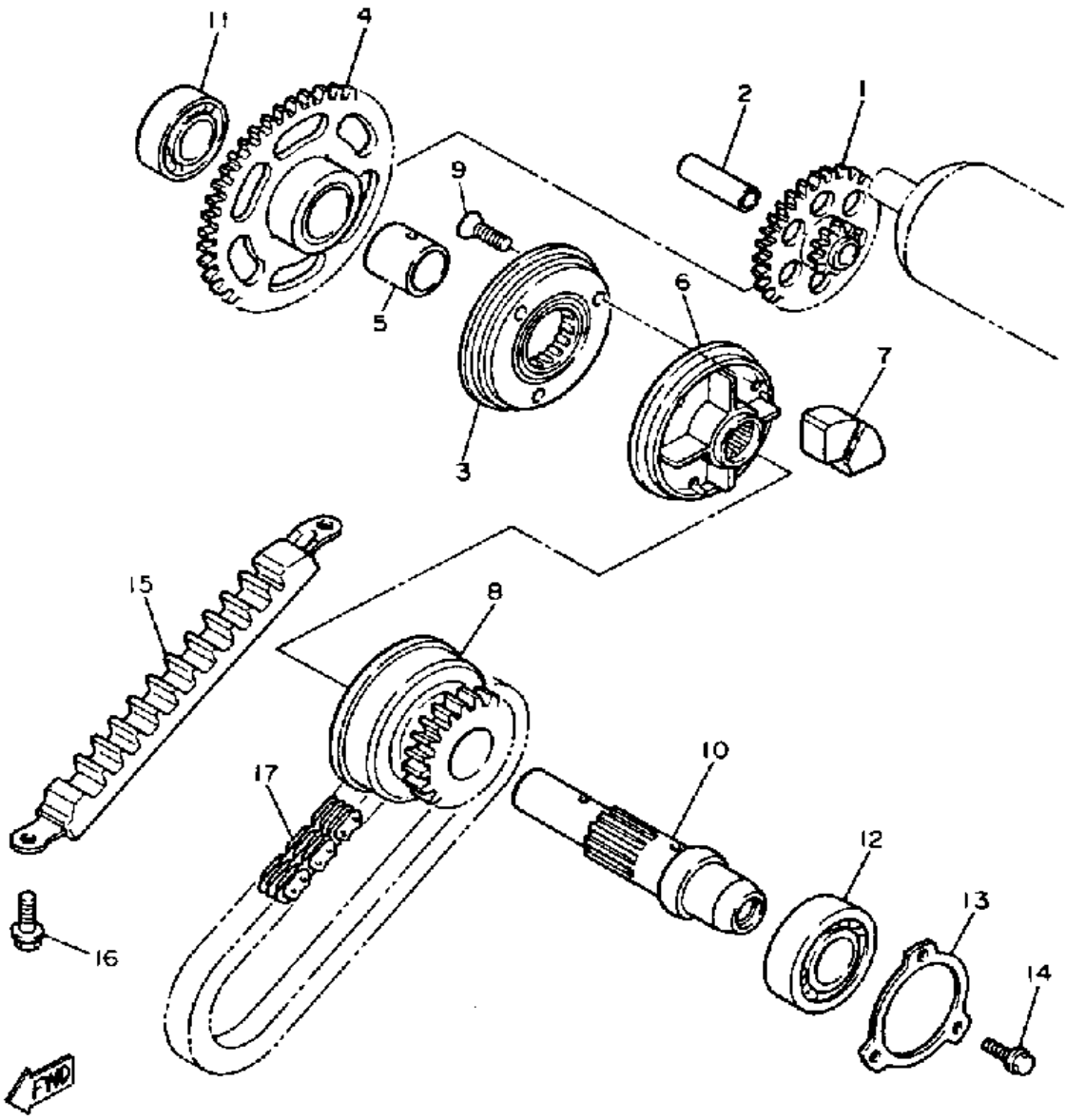
PICKUP COIL - GOVERNOR

Ref. No.	Part Number	Description	Qty	Remarks
1	2GH-81670-11-00	PICK-UP ASSEMBLY	1	
2	93210-19216-00	O-RING	1	
3	95026-06012-00	BOLT, FLANGE	1	



2GH300-7400

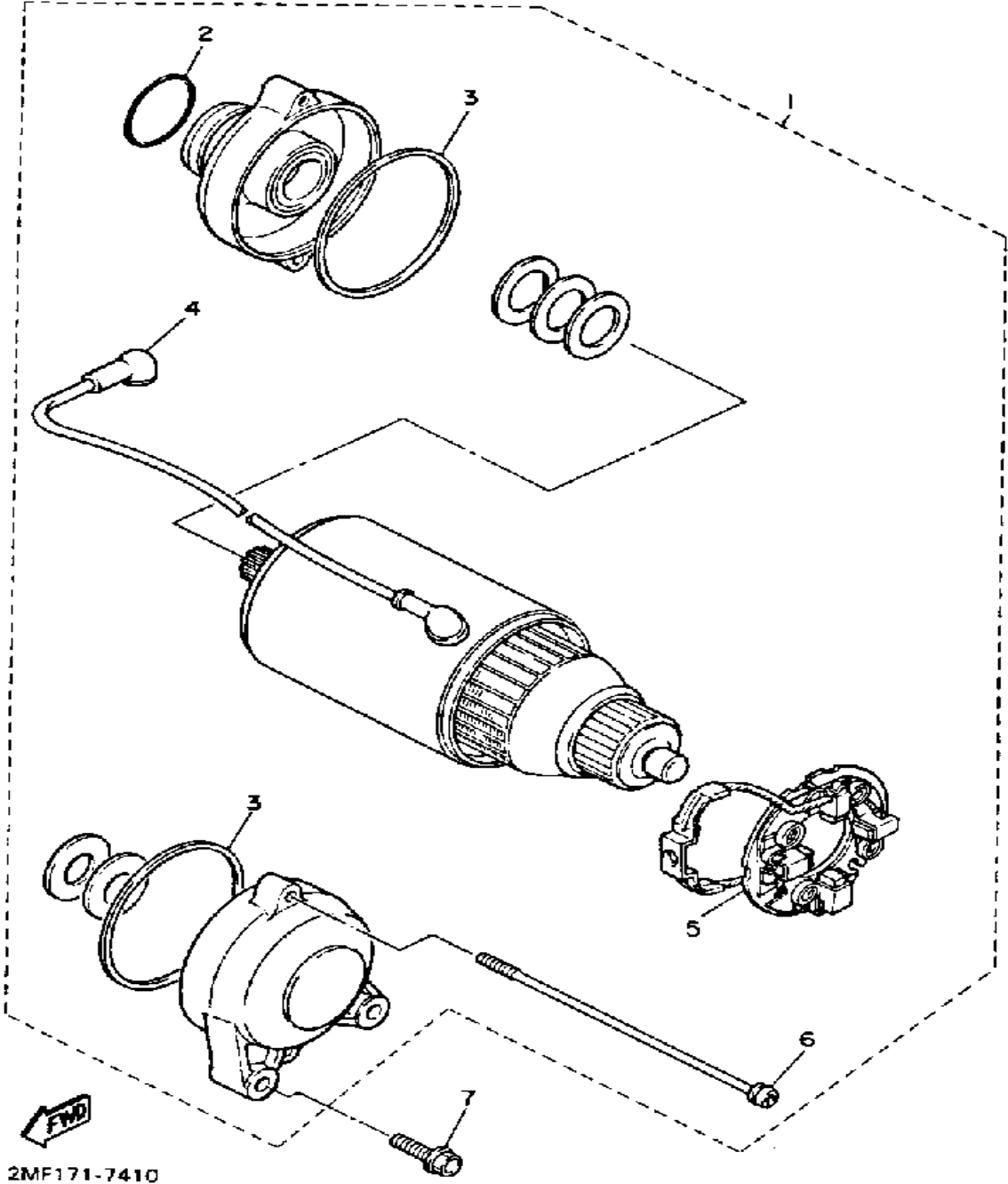
STARTER



2GH300-7150

Ref. No.	Part Number	Description	Qty	Remarks
1	(2GH-15512-00-00)	GEAR, IDLER 1	1	
2	1AE-15521-00-00	SHAFT 1	1	
3	2GH-15590-00-00	STARTER CHAIN GUIDASS"Y	1	
4	2GH-15517-00-00	GEAR, IDLER 2	1	
5	90387-202A7-00	COLLAR	1	
6	2GH-15524-00-00	WHEEL, STARTER	1	
7	4H7-16155-01-00	ABSORBER 1	4	
8	2GH-15519-00-00	SPROCKET, STARTER 2	1	
9	90151-08022-00	SCREW, COUNTERSUNK	3	
10	1AE-15522-01-00	SHAFT 2	1	
11	93306-00435-00	BEARING	1	
12	93306-20541-00	BEARING (B6205)	1	
13	1AE-15381-00-00	PLATE, BEARING COVER	1	
14	95026-06016-00	BOLT, FLANGE	3	
15	1AE-11474-00-00	GUIDE, UPPER	1	
16	95816-06014-00	BOLT, FLANGE	2	
17	36Y-11456-00-00	CHAIN, PRIMARY	1	

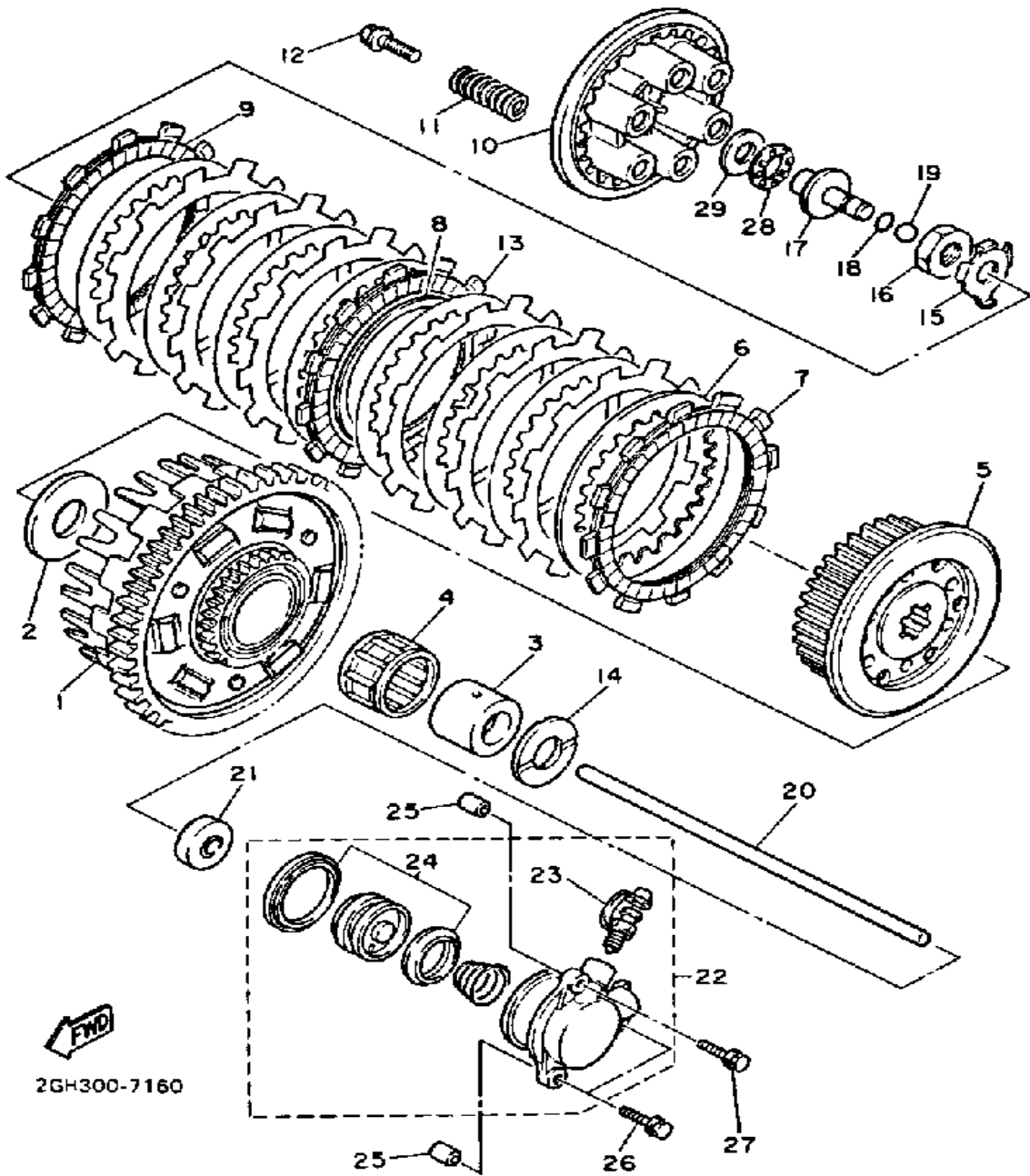
STARTING MOTOR



2MF171-7410

Ref. No.	Part Number	Description	Qty	Remarks
1	1UF-81800-60-00	STARTING MOTOR ASSEMBLY	1	
2	26H-81847-00-00	. O-RING	1	
3	4G0-81844-00-00	. GASKET	2	
4	2KT-81815-00-00	. CORD, STARTER MOTOR ...	1	
5	1AE-81840-00-00	. BRUSH HOLDER ASSEMBLY	1	
6	1A-E8182-60-00	. UNAVAILABLE IN PRICE BOOK	2	
7	95816-06025-00	BOLT, FLANGE	2	

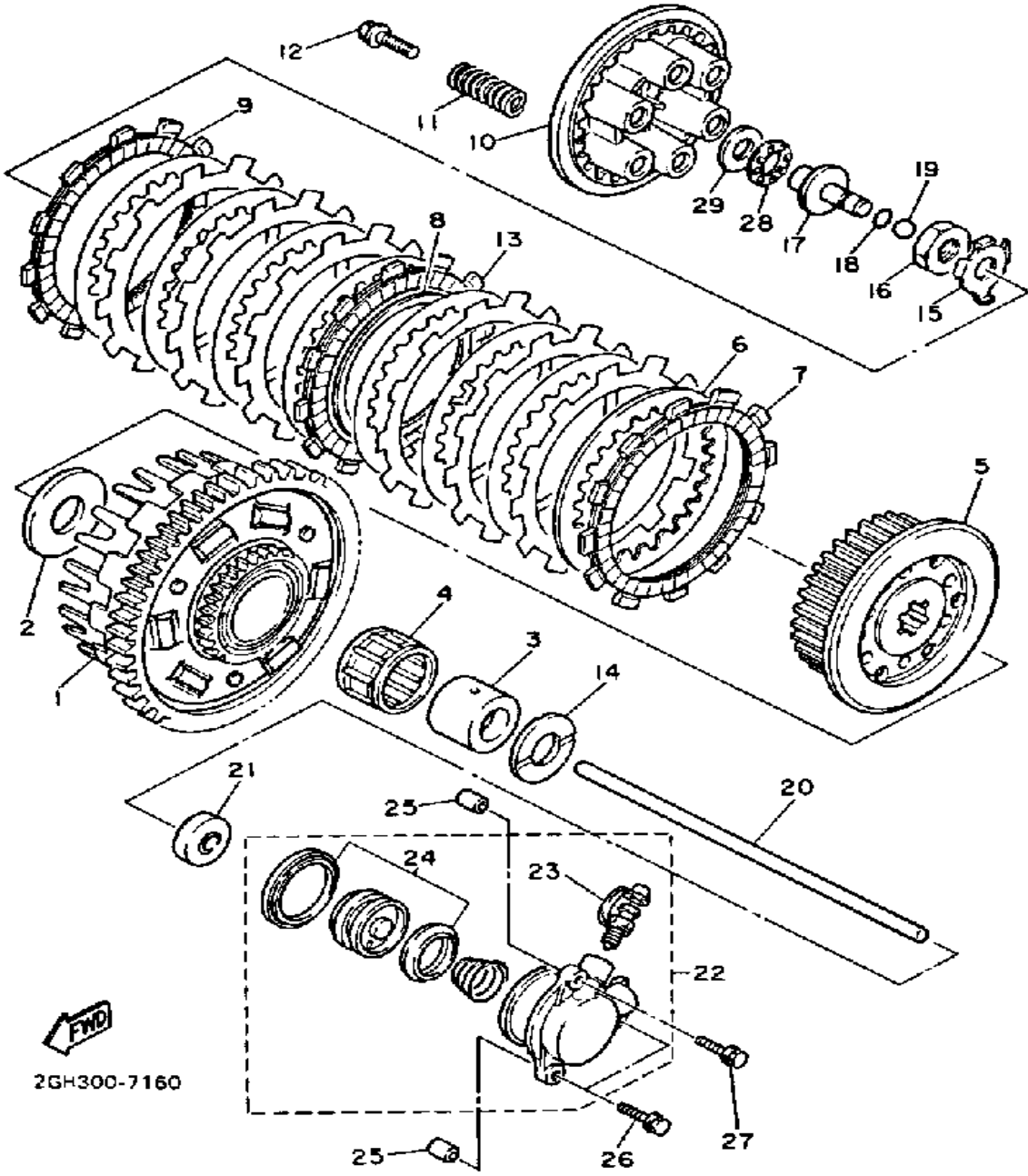
CLUTCH



Ref. No.	Part Number	Description	Qty	Remarks
1	3GM-16150-01-00	PRIMARY DRIVEN GEAR COMP.	1	
2	1AE-16154-00-00	PLATE, THRUST 1	1	
3	90560-25270-00	SPACER	1	
4	93310-340N8-00	BEARING, CYLINDRICAL	1	
5	2GH-16371-00-00	BOSS, CLUTCH	1	
6	31A-16325-00-00	PLATE, CLUTCH 2	8	
7	4H7-16321-01-00	PLATE, FRICTION	7	
8	5Y1-16383-00-00	SPRING, CLUTCH BOSS	1	
9	31A-16321-00-00	PLATE, FRICTION	1	
10	58L-16351-00-00	PLATE, PRESSURE 1	1	
11	90501-225A9-00	SPRING, COMPRESSION	6	
12	90159-06123-00	SCREW, WITH WASHER	6	
13	5Y1-16331-01-00	PLATE, FRICTION 2	1	
14	1AE-16164-00-00	PLATE, THRUST 2	1	
15	90215-20231-00	WASHER, LOCK	1	
16	90170-20327-00	NUT	1	
17	1LJ-16356-00-00	ROD, PUSH 1	1	
18	93210-06632-00	O-RING	1	
19	93511-32027-00	BALL	1	
20	1AE-16357-00-00	ROD, PUSH 2	1	
21	93109-08061-00	OIL SEAL	1	
22	1TV-16381-10-00	PUSH LEVER COMP.	1	
23	36Y-W0048-00-00	. BLEED SCREW KIT	1	
24	26H-W0098-00-00	PUSH LEVER SEAL KIT	1	
25	99510-08012-00	PIN, DOWEL	2	
26	95026-06030-00	BOLT, FLANGE	2	
27	95026-06090-00	BOLT, FLANGE	1	
28	93340-21505-00	BEARING	1	

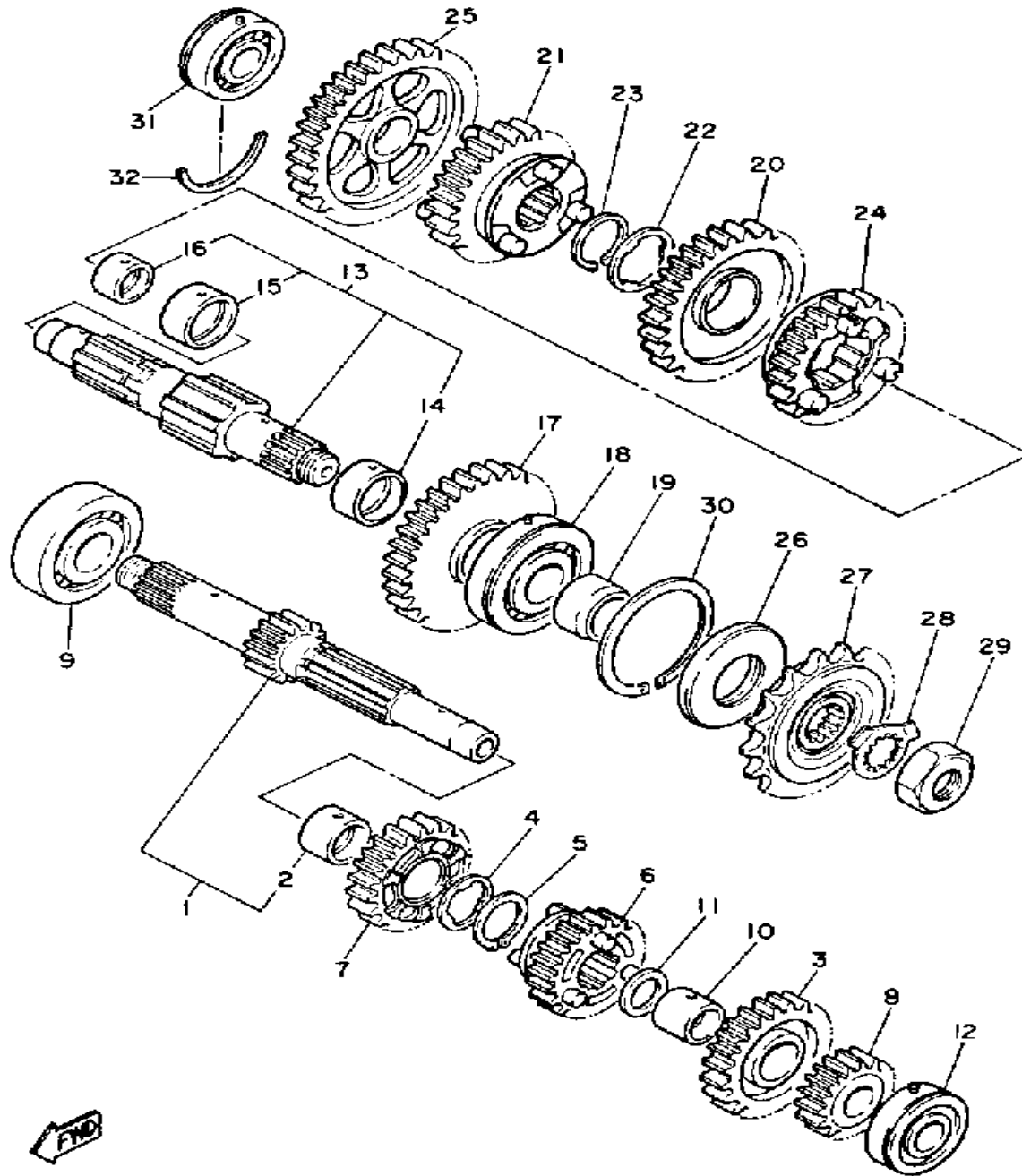
CONTINUED ON NEXT FRAME ►

CLUTCH



Ref. No.	Part Number	Description	Qty	Remarks
29	90201-150H2-00	WASHER, PLATE	1	

TRANSMISSION

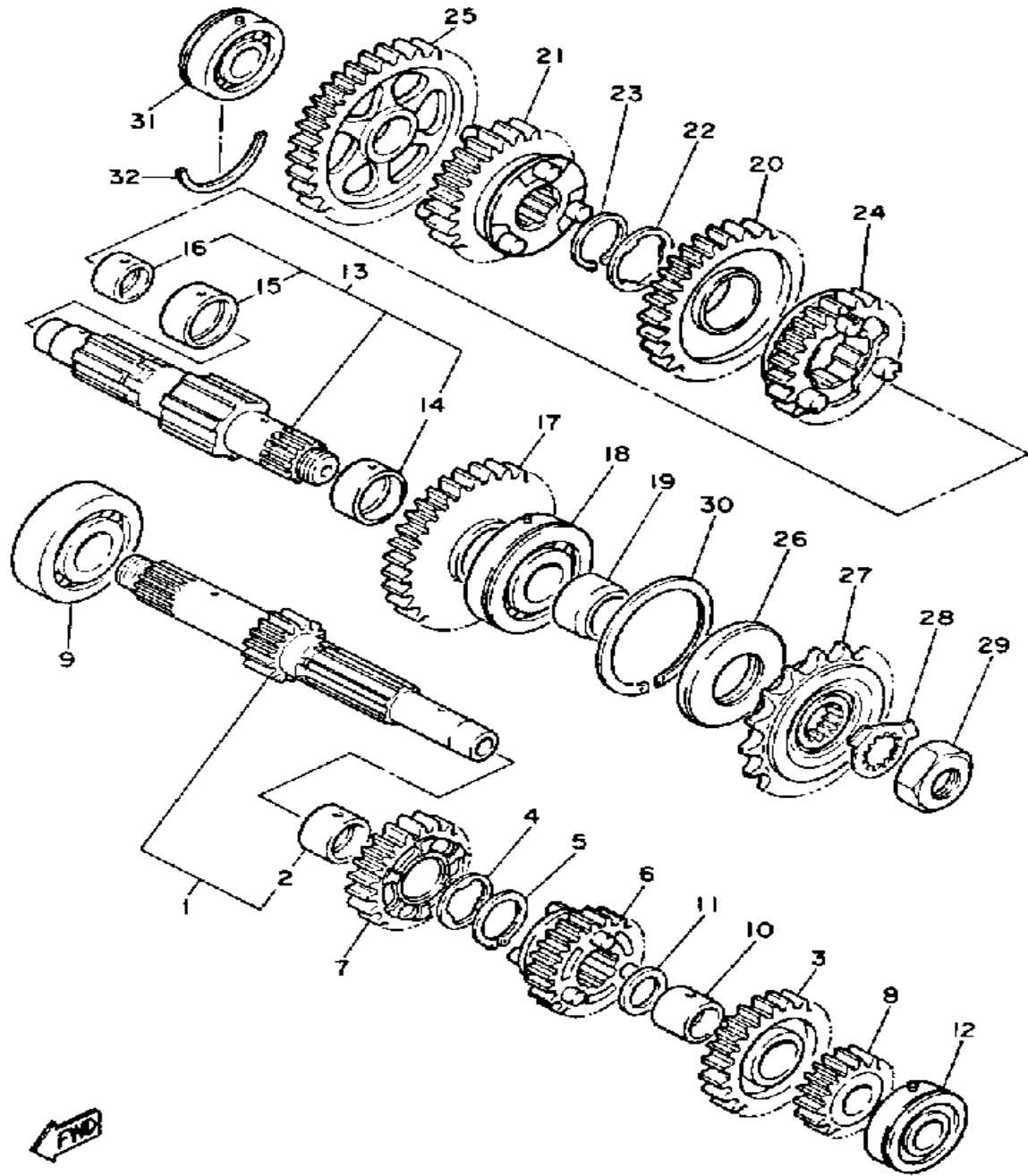


2GH300-7170

Ref. No.	Part Number	Description	Qty	Remarks
1	2GH-W1741-00-00	MAIN AXLE ASSEMBLY (14T)	1	
2	90387-253M6-00	. COLLAR	1	
3	2GH-17151-00-00	GEAR, 5TH PINION (27T)	1	
4	90209-22191-00	WASHER	1	
5	93440-25084-00	CIRCLIP	1	
6	2GH-17131-00-00	GEAR, 3RD PINION (21T)	1	
7	2GH-17141-00-00	GEAR, 4TH PINION (23T)	1	
8	2GH-17121-00-00	GEAR, 2ND PINION (18T)	1	
9	93306-30525-00	BEARING (B6305)	1	
10	90387-203M7-00	COLLAR	1	
11	90201-200K3-00	WASHER, PLATE	1	
12	93306-20455-00	BEARING	1	
13	2GH-W1742-00-00	DRIVE AXLE ASSEMBLY	1	
14	90387-271T7-00	. COLLAR	1	
15	90387-281T8-00	. COLLAR	1	
16	90387-211T9-00	. COLLAR	1	
17	2GH-17221-00-00	GEAR, 2ND WHEEL	1	
18	93306-30546-00	BEARING	1	
19	90387-253M9-00	COLLAR	1	
	90387-281T8-00	COLLAR	1	
20	2GH-17231-00-00	GEAR, 3RD WHEEL	1	
21	2GH-17241-00-00	GEAR, 4TH WHEEL	1	
22	90209-25196-00	WASHER	1	
23	93440-28062-00	CIRCLIP	1	
24	2GH-17251-00-00	GEAR, 5TH WHEEL	1	
25	2GH-17211-01-00	GEAR, 1ST WHEEL	1	
26	93102-35109-00	OIL SEAL (SD-35-62-6 HS)	1	
27	2GH-17460-00-00	SPROCKET, DRIVE 16T (2GH1746160)	1	

CONTINUED ON NEXT FRAME ►

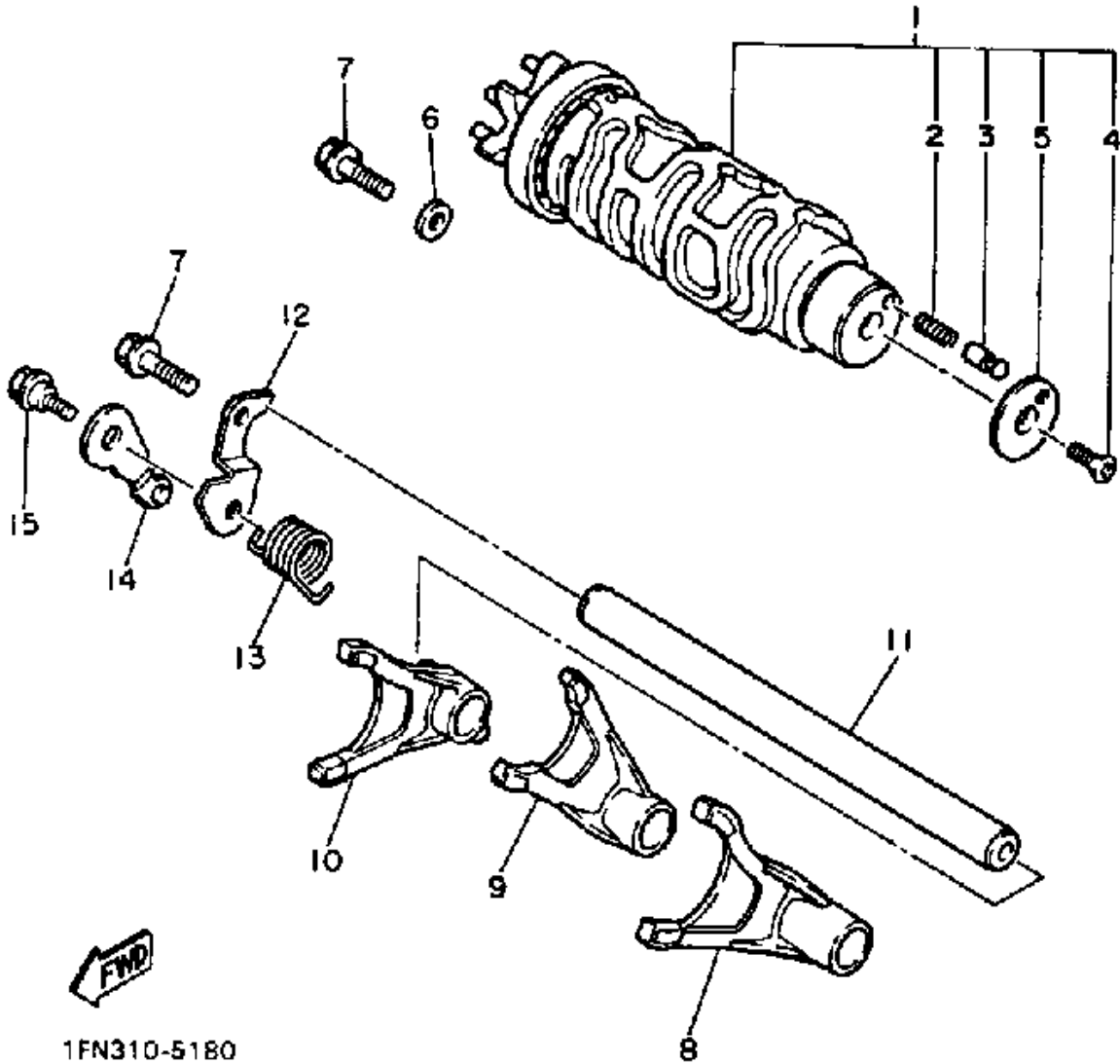
TRANSMISSION



Ref. No.	Part Number	Description	Qty	Remarks
28	90215-21022-00	WASHER, LOCK	1	
29	90179-18020-00	NUT	1	
30	278-17424-01-00	CIRCLIP 1	1	
31	93306-20455-00	BEARING	1	
32	93440-45144-00	CIRCLIP	1	

2GH300-7170

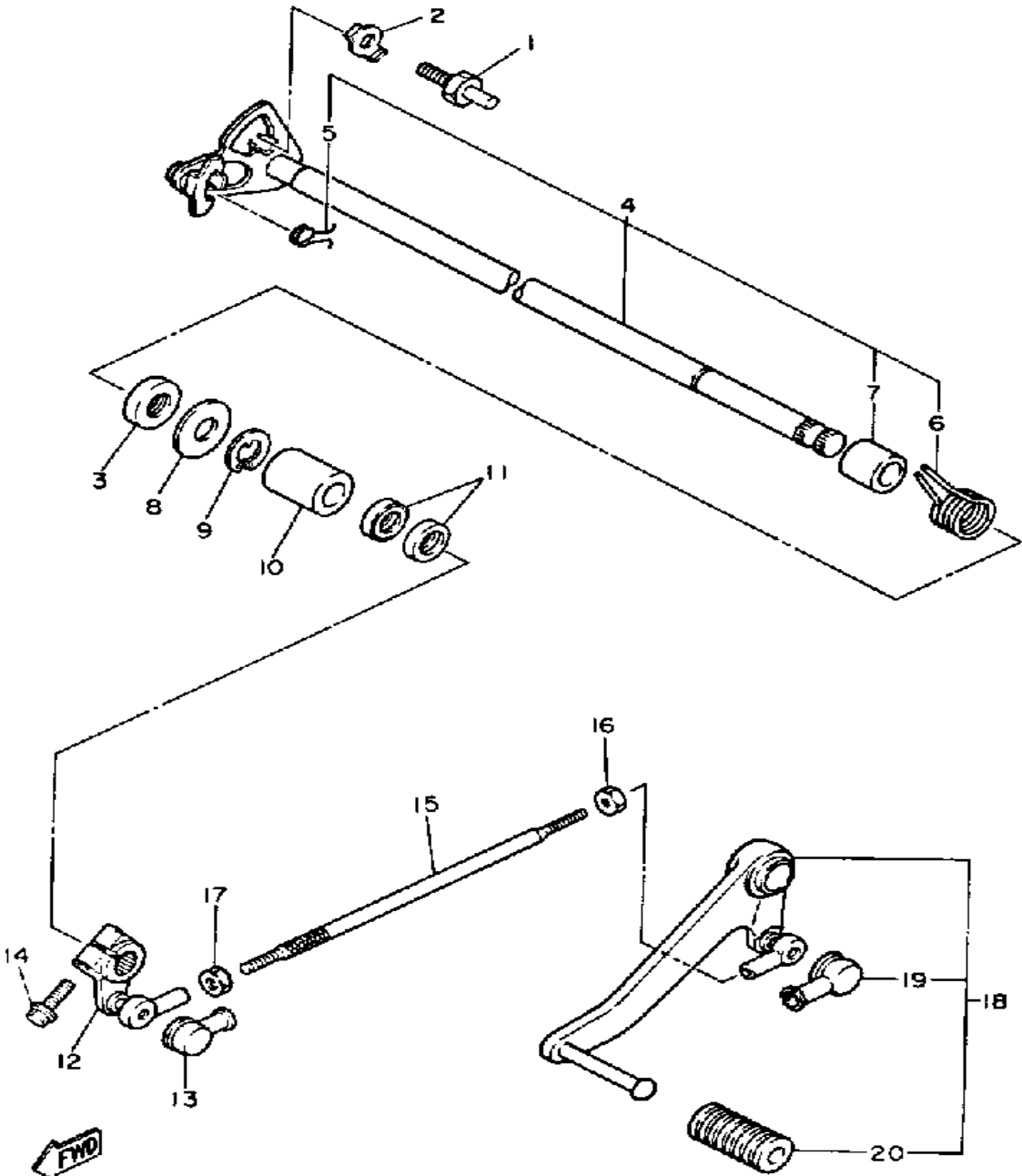
SHIFT CAM - FORK



Ref. No.	Part Number	Description	Qty	Remarks
1	2GH-18540-00-00	SHIFT CAM ASSEMBLY	1	
2	90501-06022-00	. SPRING, COMPRESSION	1	
3	278-18542-00-00	. POINT, NEUTRAL	1	
4	98701-05012-00	. SCREW, FLAT HEAD	1	
5	278-18566-00-00	. PLATE, SIDE 2	1	
6	90201-06643-00	WASHER, PLATE	1	
7	95811-06016-00	BOLT, FLANGE (95822-06016)	2	
8	2GH-18511-00-00	FORK, SHIFT 1	1	
9	2GH-18512-00-00	FORK, SHIFT 2	1	
10	2GH-18513-00-00	FORK, SHIFT 3	1	
11	12R-18531-00-00	BAR, SHIF FRK GDE 1	1	
12	1AE-18536-00-00	STOPPER, SHIFT BAR	1	
13	90508-26681-00	SPRING, TORSION	1	
14	36Y-18140-00-00	STOPPER LEVER ASSEMBLY	1	
15	90109-065A9-00	BOLT	1	

1FN310-5180

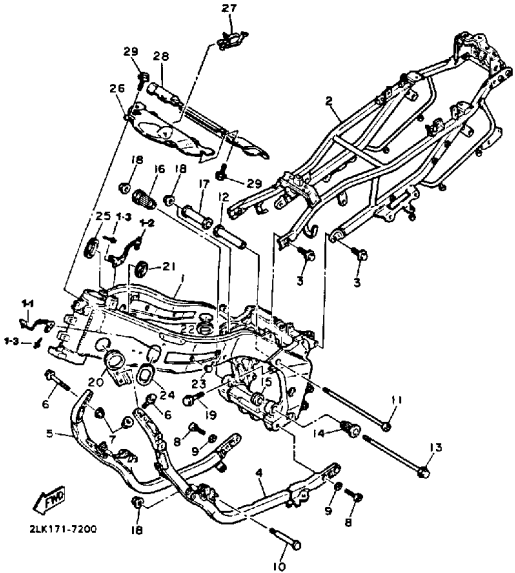
SHIFT SHAFT



2GH300-7190

Ref. No.	Part Number	Description	Qty	Remarks
1	4G0-18127-00-00	STOPPER, SCREW	1	
2	90215-08115-00	WASHER, LOCK	1	
3	93102-12321-00	OIL SEAL, SD-TYPE	1	
4	1AE-18101-01-00	SHIFT SHAFT ASSEMBLY	1	
5	90508-10514-00	. SPRING, TORSION	1	
6	90508-32682-00	. SPRING, TORSION	1	
7	90387-114K8-00	. COLLAR	1	
8	90201-12575-00	WASHER, PLATE	1	
9	99006-10600-00	CIRCLIP	1	
10	90560-12191-00	SPACER	1	
11	93109-12053-00	OIL SEAL (SDO 12/18/4-1)	2	
12	2GH-18112-01-00	ARM, SHIFT	1	
13	2H9-18154-00-00	COVER, DUST	1	
14	95826-06020-00	BOLT, flange (95806-06020-00)	1	
15	46X-18115-00-00	ROD, SHIFT	1	
16	90170-06228-00	NUT (COUNTER CLOCKWISE)	1	
17	95380-06700-00	NUT	1	
18	2GH-18110-00-00	SHIFT PEDAL ASSEMBLY	1	
19	2H9-18154-00-00	. COVER, DUST	1	
20	132-18113-01-00	. COVER, SHIFT PEDAL	1	

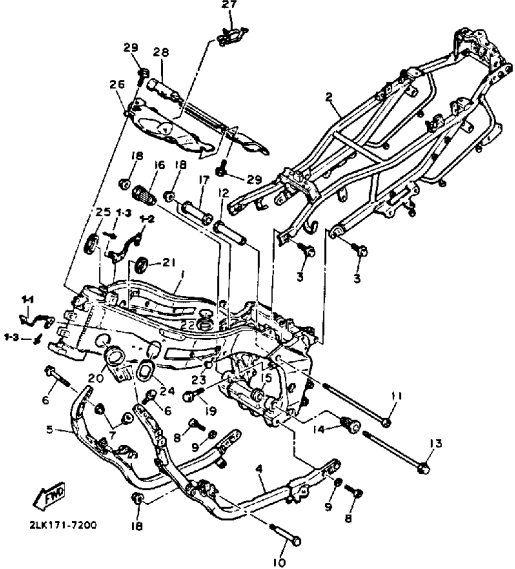
FRAME (NON-CALIFORNIA MODEL)



Ref. No.	Part Number	Description	Qty	Remarks
1	2GH-23415-10-00	. COVER, BALL RACE 1RACE 1	1	
	2GH-2833J-00-00	. BRACKET 2	1	
	2GH-2833K-00-00	. BRACKET 3	1	
	2YJ-21110-00-00	. FRAME	1	
	90267-40105-00	. RIVET, BLIND	6	
	99999-01934-00	FRAME COMP. (2YJ)	1	
2	2GH-21190-00-35	FRAME, REAR	1	SILVER
3	90105-10459-00	BOLT, WASHER BASEDBASED	4	
4	2GH-21140-00-35	TUBE, DOWN	1	SILVER
5	2GH-21150-00-35	DOWN TUBE COMP 2	1	SILVER
6	90105-10496-00	BOLT, WASHER BASED	4	
7	95601-10200-00	NUT, SELF-LOCKING	4	
8	90110-08150-00	BOLT, HEX SKT HEADSOCKET HEAD	4	
9	90201-086J0-00	WASHER, PLATE	4	
10	90109-103E4-00	BOLT	2	
11	90110-10154-00	BOLT, HEX SKT HEADSOCKET HEAD	1	
12	90387-113T1-00	COLLAR	1	
13	90105-10476-00	BOLT, WASHER BASED	1	
14	1UF-2139X-00-00	DAMPER	1	
15	1UF-2139U-00-00	DAMPER 2	1	
16	2GH-15316-00-00	DAMPER, ENG MOUNT 1ENGINE MOUNT 1	1	
17	1WG-21459-00-00	SPACER	1	
18	90179-10247-00	NUT	4	
19	90105-08475-00	BOLT, WASHER BASED	1	
20	90480-35526-00	GROMMET	2	
21	2G-H2117-M0-00	UNAVAILABLE IN PRICE BOOK	2	
22	2GH-2117T-00-00	COVER 5	2	

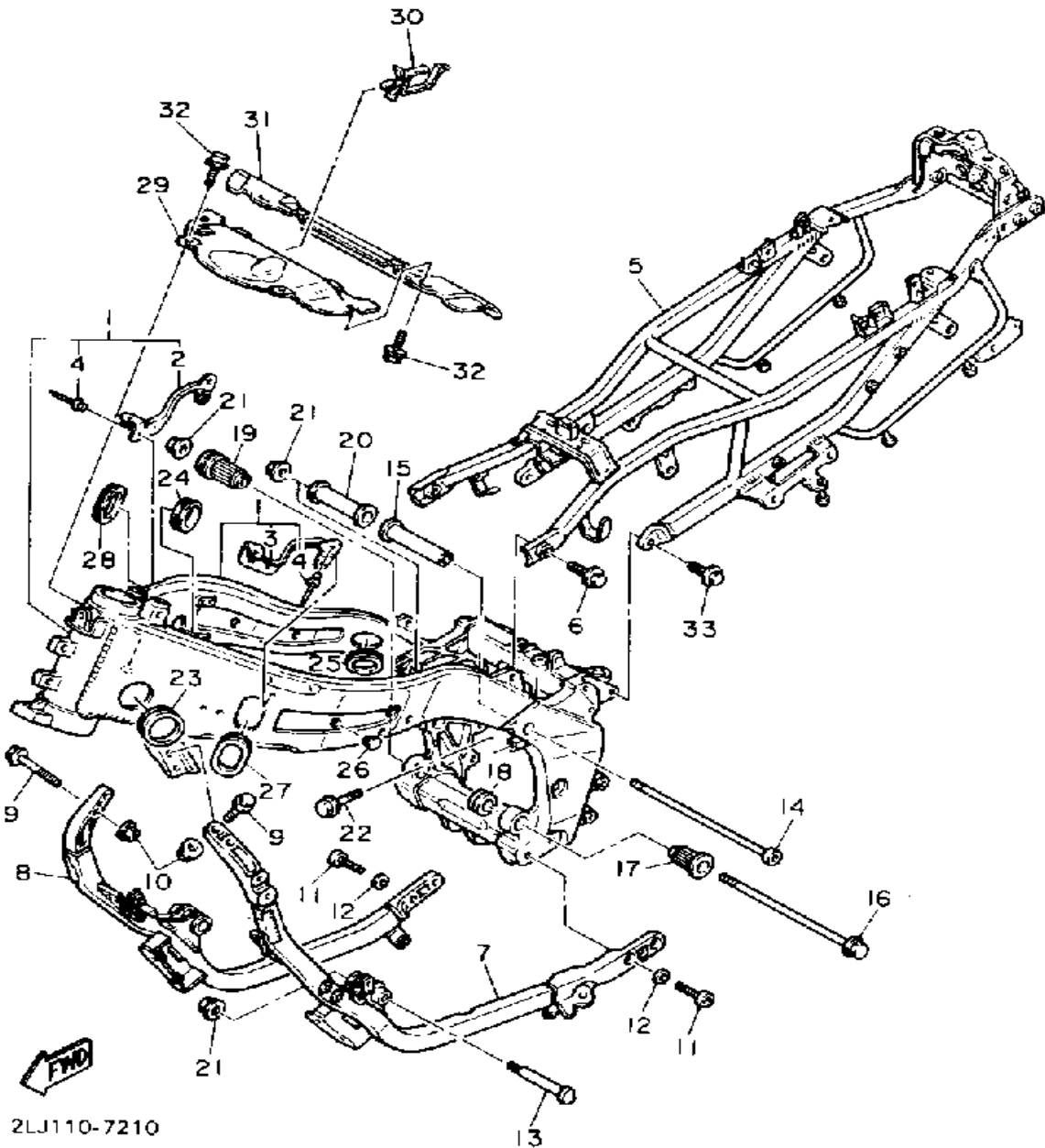
CONTINUED ON NEXT FRAME ►

FRAME (NON-CALIFORNIA MODEL)



Ref. No.	Part Number	Description	Qty	Remarks
23	90338-15202-00	PLUG	4	
24	ø2G-H2117-N0-00	UNAVAILABLE IN PRICE BOOK	1	
25	2GH-2117R-00-00	COVER 4	1	
26	2GH-1246A-00-00	COVER 1	1	
27	90464-16025-00	CLAMP	2	
28	2GH-1246E-00-00	COVER 2	1	
29	90119-06061-00	BOLT, WITH WASHER	4	

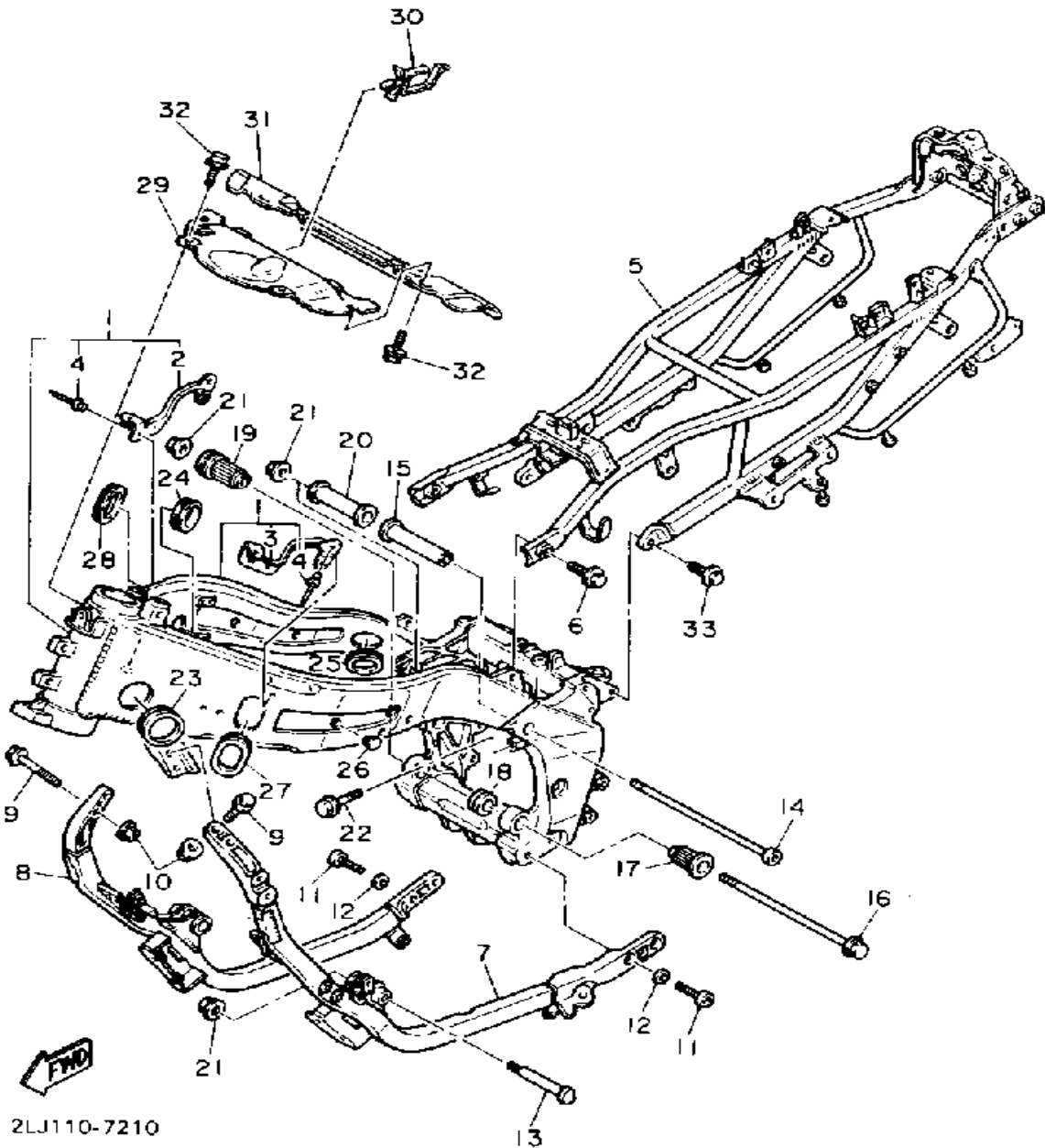
FRAME (CALIFORNIA MODEL ONLY)



Ref. No.	Part Number	Description	Qty	Remarks
1	(2LJ-21110-12-00)	FRAME COMP.	1	
2	2GH-2833K-00-00	. BRACKET 3	1	
3	2GH-2833J-00-00	. BRACKET 2	1	
4	90267-40105-00	. RIVET, BLIND	6	
5	2GH-21190-00-35	FRAME, REAR	1	SILVER
6	90105-10459-00	BOLT, WASHER BASEDBASED	2	
7	2LJ-21140-00-35	TUBE, DOWN	1	SILVER
8	2LJ-21150-00-35	DOWN TUBE COMP 2	1	SILVER
9	90105-10496-00	BOLT, WASHER BASED	4	
10	95601-10200-00	NUT, SELF-LOCKING	4	
11	90110-08150-00	BOLT, HEX SKT HEADSOCKET HEAD	4	
12	90201-086J0-00	WASHER, PLATE	4	
13	90109-103E4-00	BOLT	2	
14	90110-10154-00	BOLT, HEX SKT HEADSOCKET HEAD	1	
15	90387-113T1-00	COLLAR	1	
16	90105-10476-00	BOLT, WASHER BASED	1	
17	1UF-2139X-00-00	DAMPER	1	
18	1UF-2139U-00-00	DAMPER 2	1	
19	2GH-15316-00-00	DAMPER, ENG MOUNT 1NGINE MOUNT 1	1	
20	1WG-21459-00-00	SPACER	1	
21	90179-10247-00	NUT	4	
22	90105-08475-00	BOLT, WASHER BASED	1	
23	90480-35526-00	GROMMET	2	
24	(2GH-2117M-00-00)	COVER 2	2	
25	2GH-2117T-00-00	COVER 5	2	
26	90338-15202-00	PLUG	4	
27	(2GH-2117N-00-00)	COVER 3	1	

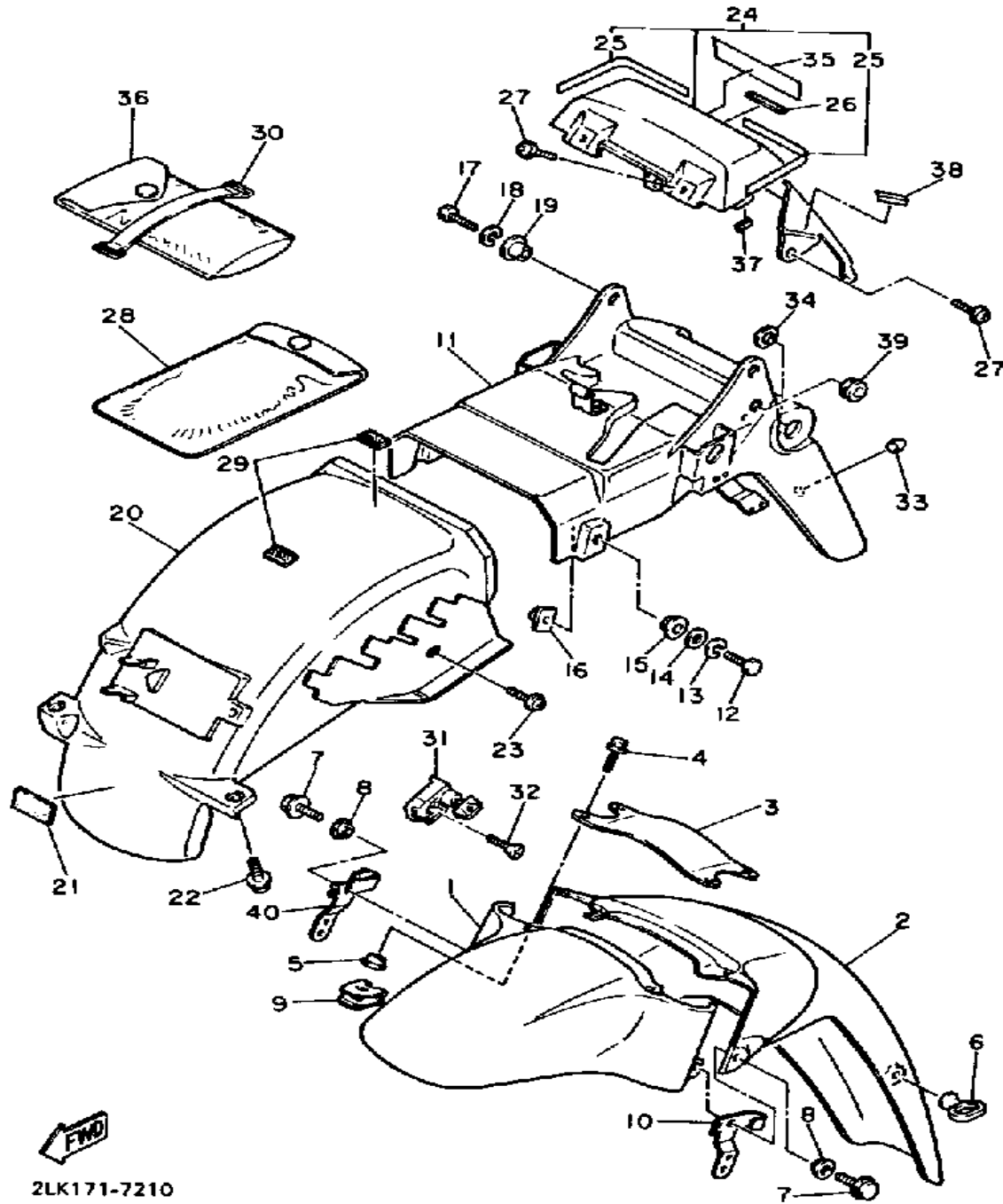
CONTINUED ON NEXT FRAME ►

FRAME (CALIFORNIA MODEL ONLY)



Ref. No.	Part Number	Description	Qty	Remarks
28	2GH-2117R-00-00	COVER 4	1	
29	2GH-1246A-00-00	COVER 1	1	
30	90464-16025-00	CLAMP	2	
31	2GH-1246E-00-00	COVER 2	1	
32	90119-06061-00	BOLT, WITH WASHER	4	
33	90105-10499-00	BOLT, WASHER BASED	2	

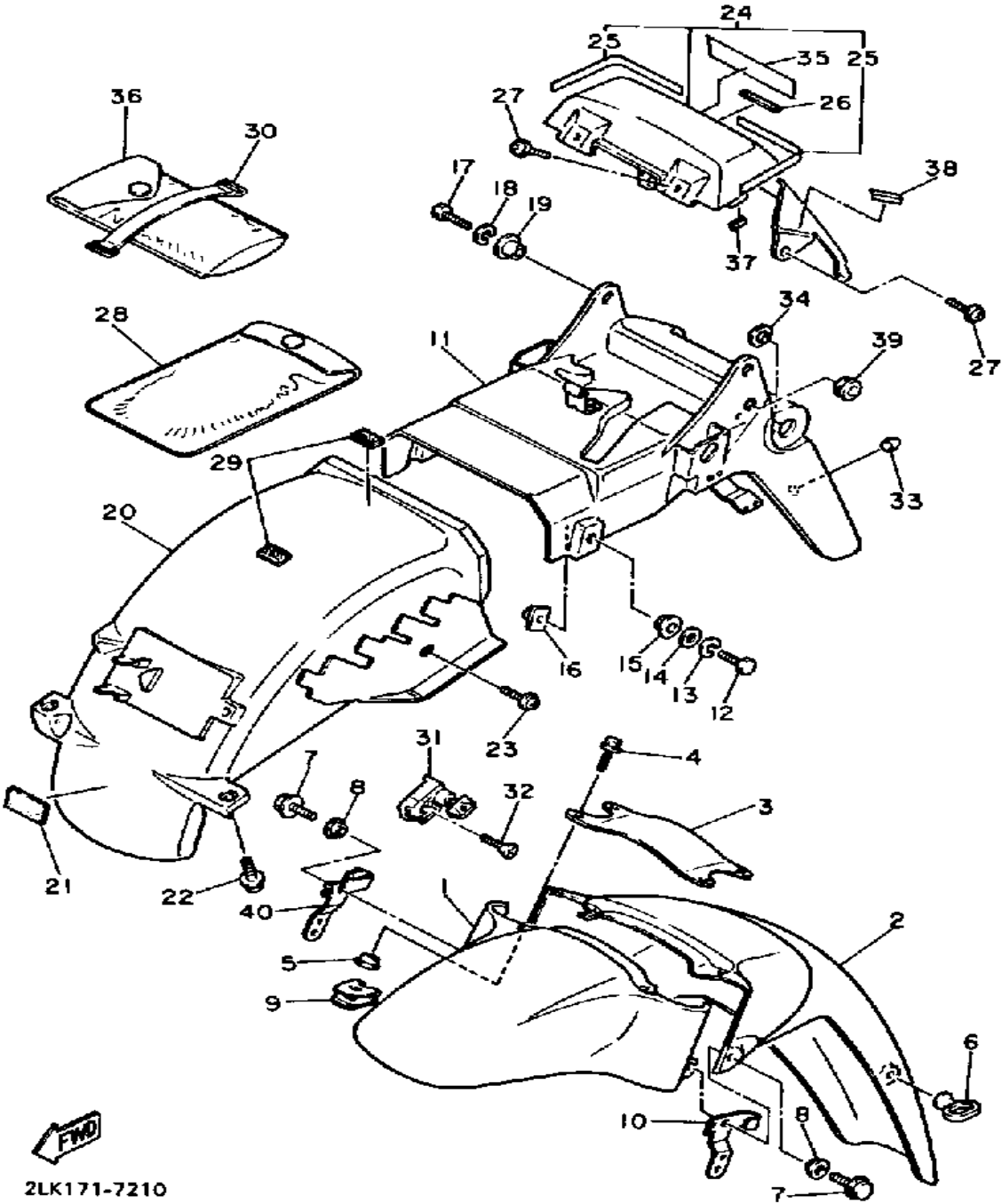
FENDER



Ref. No.	Part Number	Description	Qty	Remarks
1	2GH-21511-00-GE	FENDER, FRONT	1	SILKY WHITE
2	2GH-21556-00-GE	FENDER, FRONT 2	1	SILKY WHITE
3	47X-2313A-00-00	BRACE, FORK	1	
4	90105-06478-00	BOLT, WASHER BASED	4	
5	90387-065T2-00	COLLAR (2GH)	4	
6	1A8-21518-00-00	HOLDER, CABLE	1	
7	90105-06477-00	BOLT, WASHER BASED	2	
8	90387-064J1-00	COLLAR	2	
9	90183-08043-00	NUT, SPRING	4	
10	2LJ-25875-00-00	HOLDER, BRKE HOSE 1	1	
11	2LJ-W2161-00-00	REAR FENDER	1	
12	97011-06020-00	BOLT	2	
13	92995-06100-00	WASHER, SPRING	2	
14	92901-06600-00	WASHER	2	
15	90387-061M0-00	COLLAR	2	
16	31A-14477-00-00	PLATE	2	
17	97313-06016-00	BOLT, HEXAGON	2	
18	92995-06100-00	WASHER, SPRING	2	
19	90387-06648-00	COLLAR	2	
20	2GH-21629-00-00	GUARD, MUD	1	
21	2JG-21638-00-00	DAMPER 1	1	
22	90119-06052-00	BOLT, WITH WASHER	2	
23	90159-06056-00	SCREW, WITH WASHER	1	
24	2GH-W2165-00-0X	COVER, REAR FENDER	1	SILKY WHITE/ATLANTIC BLUE
25	. GRAPHIC	1	FOR SW/ABL	
26	J44-78248-00-00	SEAL 4	1	
27	90159-06042-00	SCREW, WITH WASHER	4	

CONTINUED ON NEXT FRAME ►

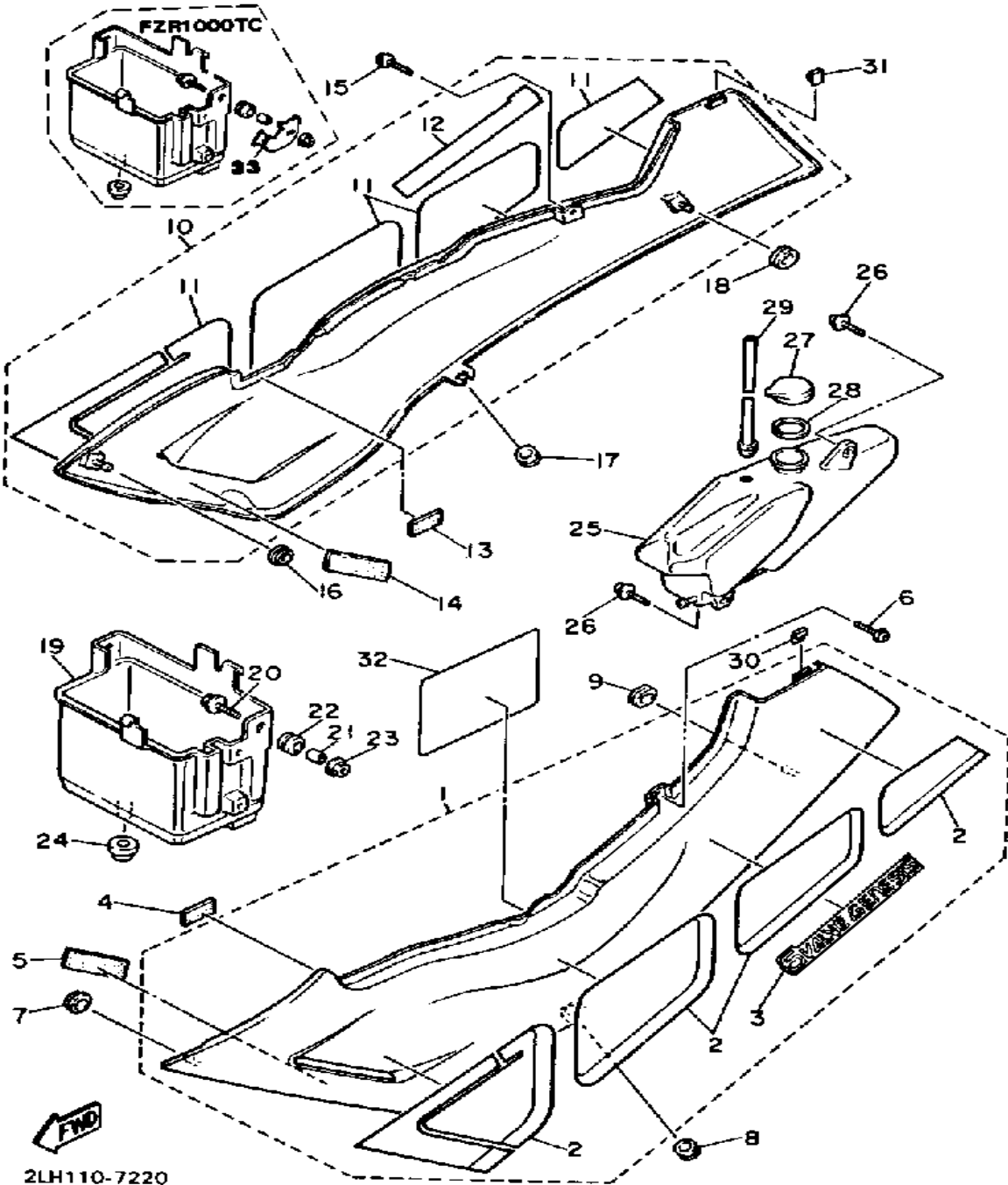
FENDER



2LK171-7210

Ref. No.	Part Number	Description	Qty	Remarks
28	4K5-28186-00-00	POUCH	1	
29	4K5-2814E-10-00	HOOK	2	
30	122-82131-00-00	BAND, BATTERY	1	
31	26H-21308-00-00	HELMET HANGER ASSEMBLY (4R8-21308-00)	1	
32	90149-06150-00	SCREW	1	
33	4G0-21639-00-00	DAMPER 2	1	
34	90214-12033-00	WASHER, CLAW	2	
35	99234-00020-00	EMBLEM, YAMAHA	1	FOR SW/ABL
36	2GH-28100-20-00	TOOL KIT	1	
37	2GH-21732-00-00	SEAL 1	2	
38	2GH-21735-00-00	SEAL 2	2	
39	90480-10258-00	GROMMET	2	
40	2LJ-25876-00-00	HOLDER, BRKE HOSE 2	1	

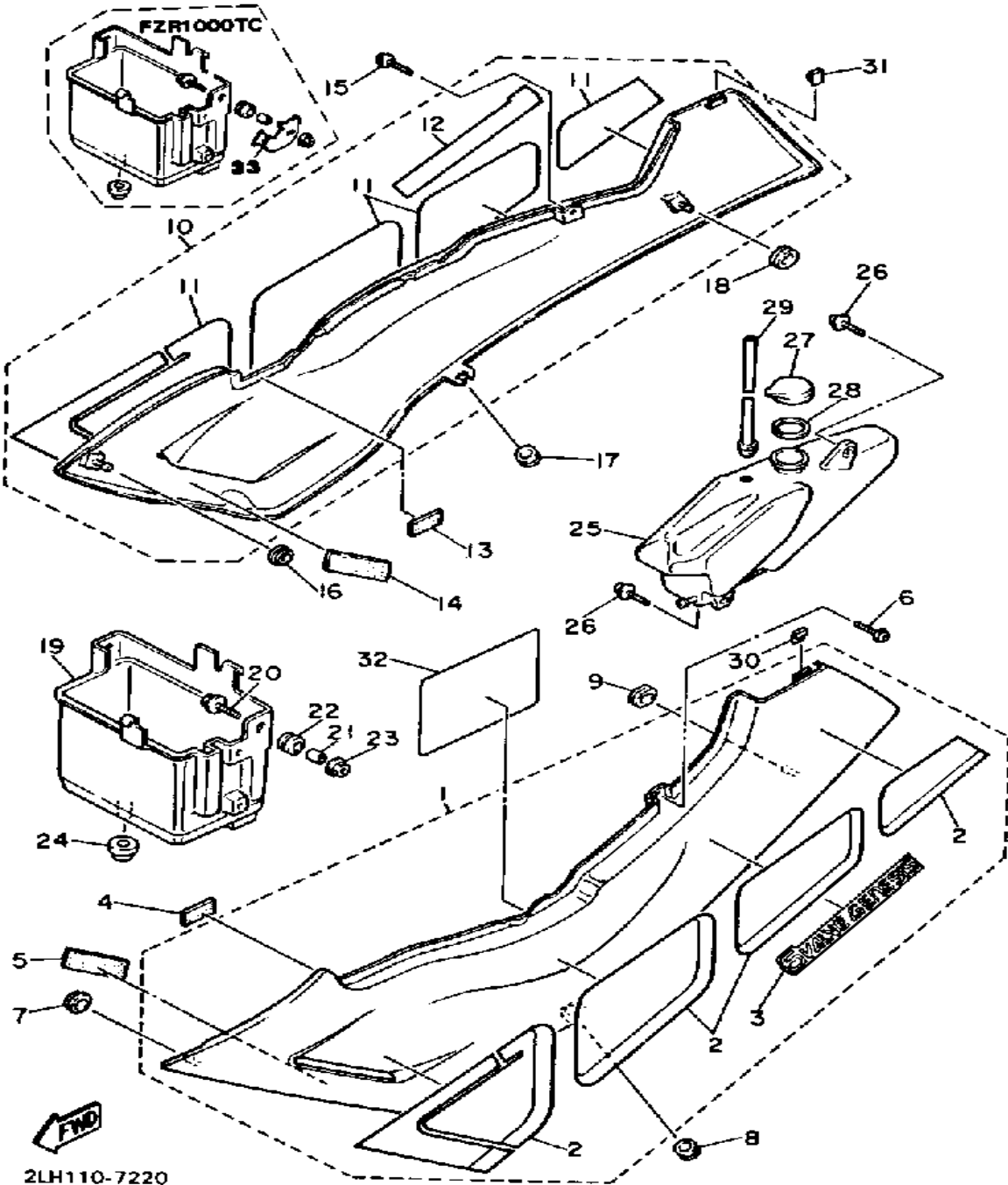
SIDE COVER



Ref. No.	Part Number	Description	Qty	Remarks
1	2GH-W2175-00-GE	SIDE COVER 1	1	SILKY WHITE
2	2GH-2173L-00-00	. GRAPHIC SET 1	1	FOR SW
3	2GH-21781-00-00	. EMBLEM 1	1	FOR SW
4	5G3-21747-00-00	DAMPER	1	
5	1KH-21717-00-00	DAMPER, SIDE COVER (4N0-24181-00-00)	1	
6	90159-06033-00	SCREW, WITH WASHER	1	
7	90480-14074-00	GROMMET	1	
8	90480-12320-00	GROMMET	1	
9	90480-22084-00	GROMMET	1	
10	2GH-W2173-00-GE	SIDE COVER 3	1	SILKY WHITE
11	2GH-2174L-00-00	. GRAPHIC SET 2	1	FOR SW
12	2GH-21781-00-00	. EMBLEM 1	1	FOR SW
13	5G3-21747-00-00	DAMPER	1	
14	1KH-21717-00-00	DAMPER, SIDE COVER (4N0-24181-00-00)	1	
15	90159-06033-00	SCREW, WITH WASHER	1	
16	90480-14074-00	GROMMET	1	
17	90480-12320-00	GROMMET	1	
18	90480-22084-00	GROMMET	1	
19	2GH-21245-00-00	BOX	1	
20	90119-06097-00	BOLT, WITH WASHER	2	
21	90387-060A7-00	COLLAR	2	
22	90480-16233-00	GROMMET	2	
23	95701-06500-00	NUT, FLANGE	2	
24	90480-23192-00	GROMMET	1	
25	2GH-21871-00-00	TANK, RECOVERY	1	
26	90159-06056-00	SCREW, WITH WASHER	2	
27	4L0-21875-00-00	CAP	1	

CONTINUED ON NEXT FRAME ►

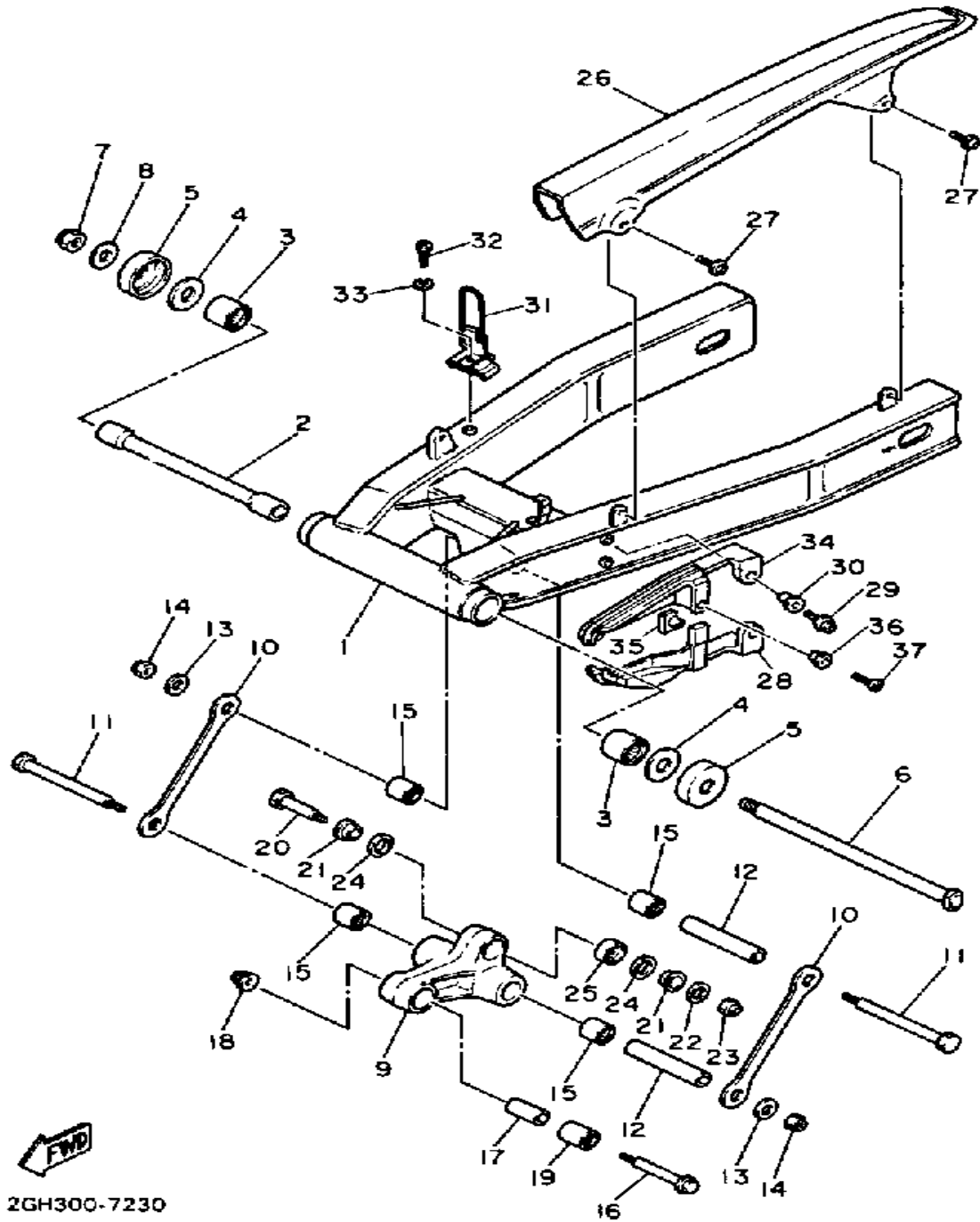
SIDE COVER



Ref. No.	Part Number	Description	Qty	Remarks
28	1AA-21874-00-00	GASKET	1	
29	1KF-21816-00-00	PIPE 1	1	
30	2GH-21732-00-00	SEAL 1	1	
31	2GH-21732-00-00	SEAL 1	1	
32	(2LJ-21687-70-00)	PLATE, SPECIFICATON	1	
	2LH-21683-70-00	PLATE, SPEC	1	
33	(2LJ-21158-00-00)	BRACKET	1	

2LH110-7220

SWING ARM

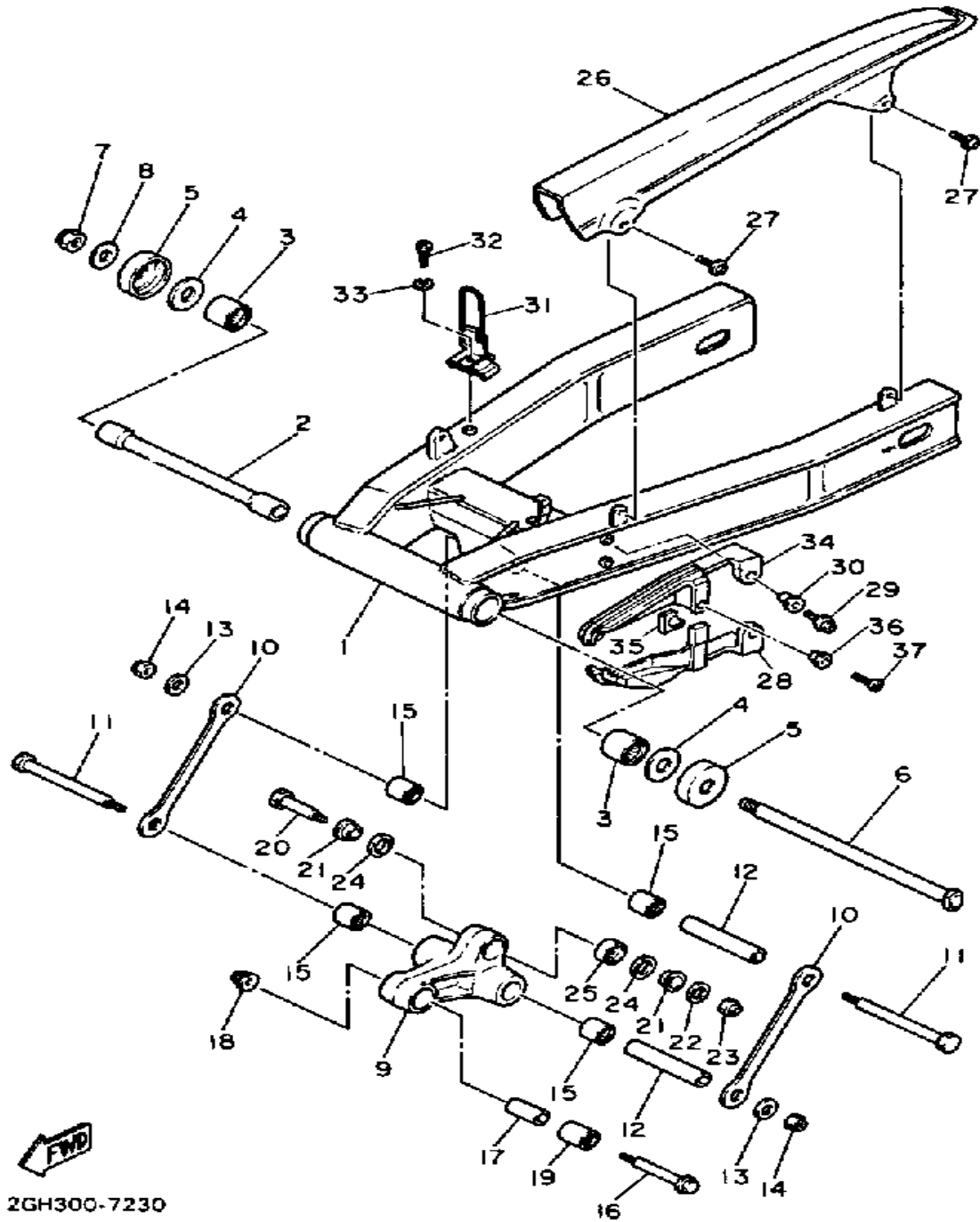


2GH300-7230

Ref. No.	Part Number	Description	Qty	Remarks
1	2NK-22110-00-00	REAR ARM (2GH-22110-00)	1	
2	36Y-22184-00-00	BUSH	1	
3	93317-42550-00	BEARING	2	
4	36Y-22127-00-00	SHIM	2	
5	36Y-22128-00-00	COVER, THRUST 1	2	
6	2GH-22141-00-00	SHAFT, PIVOT	1	
7	90185-14070-00	NUT, SELF-LOCKING	1	
8	90201-142M6-00	WASHER, PLATE	1	
9	2KT-2217A-00-00	ARM, RELAY	1	
10	1WG-2217M-00-00	ARM 1	2	
11	90101-12673-00	BOLT	2	
12	90387-126T1-00	COLLAR	2	
13	90201-126A7-00	WASHER, PLATE	2	
14	95611-12100-00	NUT, U	2	
15	93317-41761-00	BEARING	4	
16	90105-10454-00	BOLT, WASHER BASED	1	
17	90387-100T8-00	COLLAR	1	
18	95601-10200-00	NUT, SELF-LOCKING	1	
19	93317-42060-00	BEARING	1	
20	90101-10659-00	BOLT	1	
21	90387-124L0-00	COLLAR	2	
22	90201-10437-00	WASHER, PLATE	1	
23	95611-10100-00	NUT, U	1	
24	93101-16131-00	OIL SEAL	2	
25	93399-99919-00	BEARING	1	
26	2GH-22311-00-00	CASE, CHAIN	1	
27	90159-06084-00	SCREW, WITH WASHER	2	
28	(2GH-22151-20-00)	SEAL, GUARD	1	
29	90159-06108-00	SCREW, WITH WASHER	2	

CONTINUED ON NEXT FRAME ►

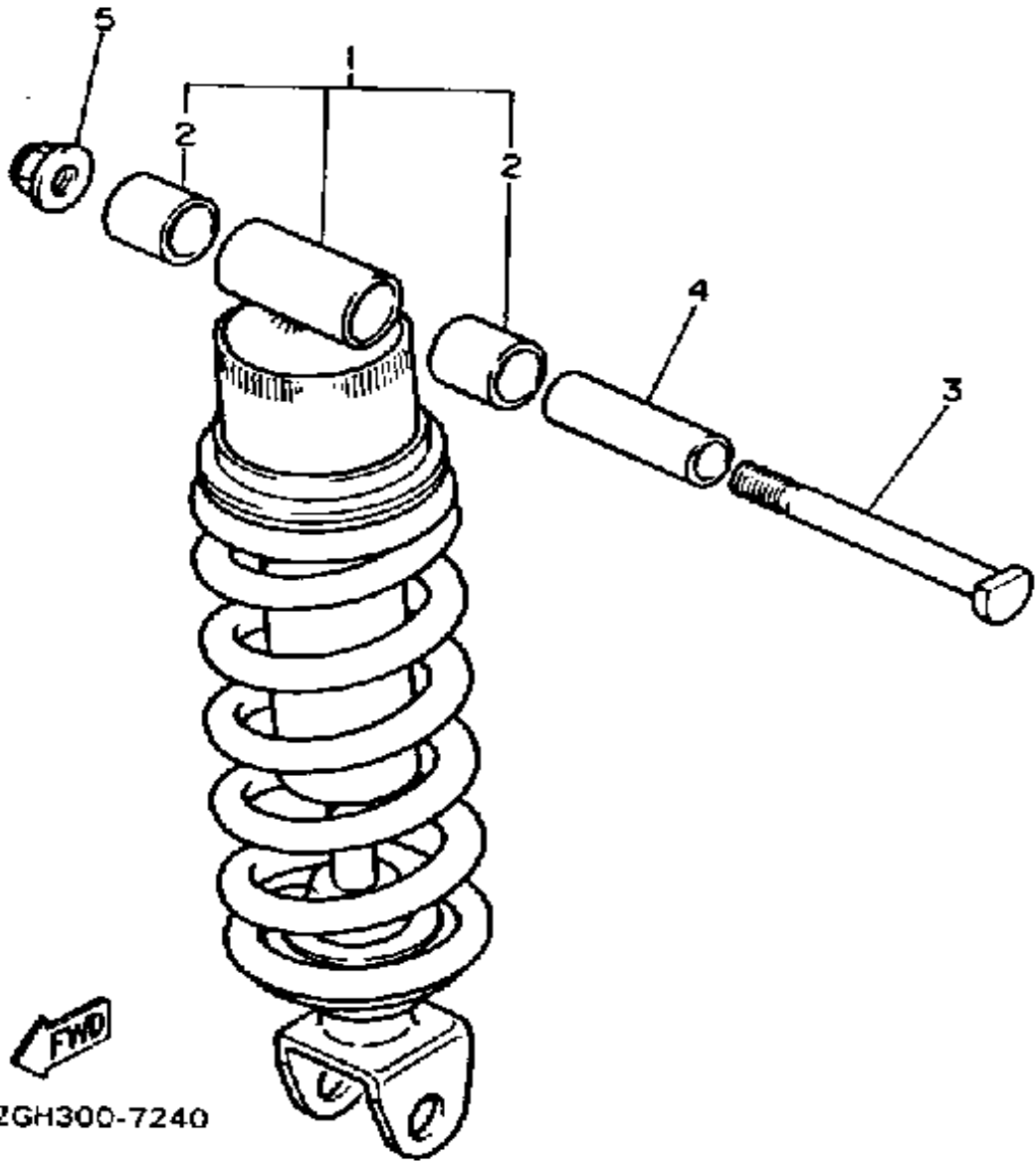
SWING ARM



2GH300-7230

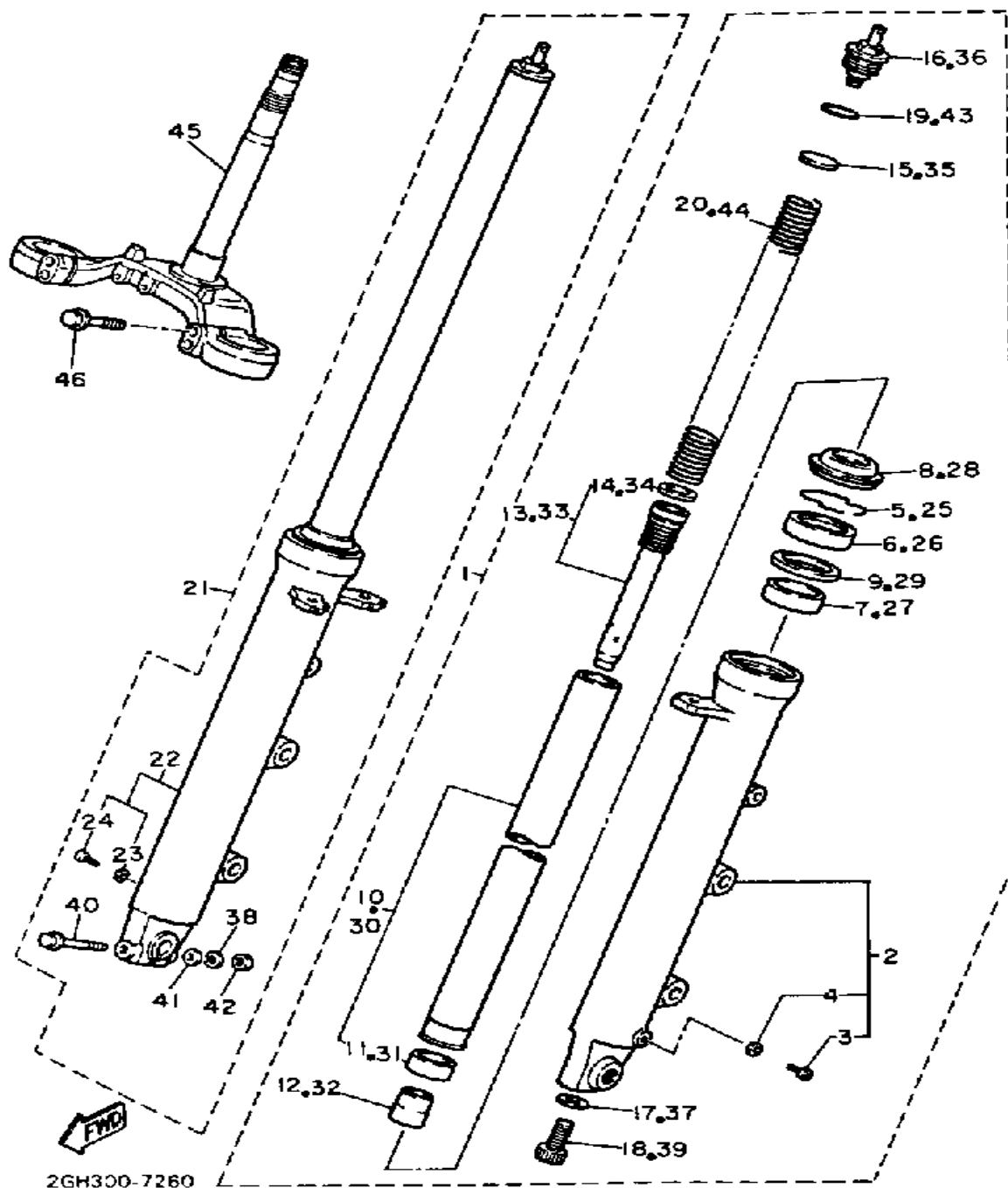
Ref. No.	Part Number	Description	Qty	Remarks
29	90159-06110-00	SCREW, WITH WASHER	2	
30	90387-06704-00	COLLAR	2	
31	2GH-25875-50-00	HOLDER, BRKE HOSE 1	1	
32	98580-06020-00	SCREW	1	
33	92995-06100-00	WASHER, SPRING	1	
34	2GH-22152-20-00	SEAL, GUARD	1	
35	31A-14477-00-00	PLATE	1	
36	90560-06244-00	SPACER	1	
37	98516-06012-00	SCREW, PAN HEAD	1	

REAR SHOCKS



Ref. No.	Part Number	Description	Qty	Remarks
1	2GH-22210-00-00	SHK/ABS ASSEMBLY, REARREAR	1	
2	90384-18157-00	. BUSH, BIMETAL FORMED	2	
3	90109-103E7-00	BOLT	1	
4	90387-102T0-00	COLLAR	1	
5	95601-10200-00	NUT, SELF-LOCKING	1	

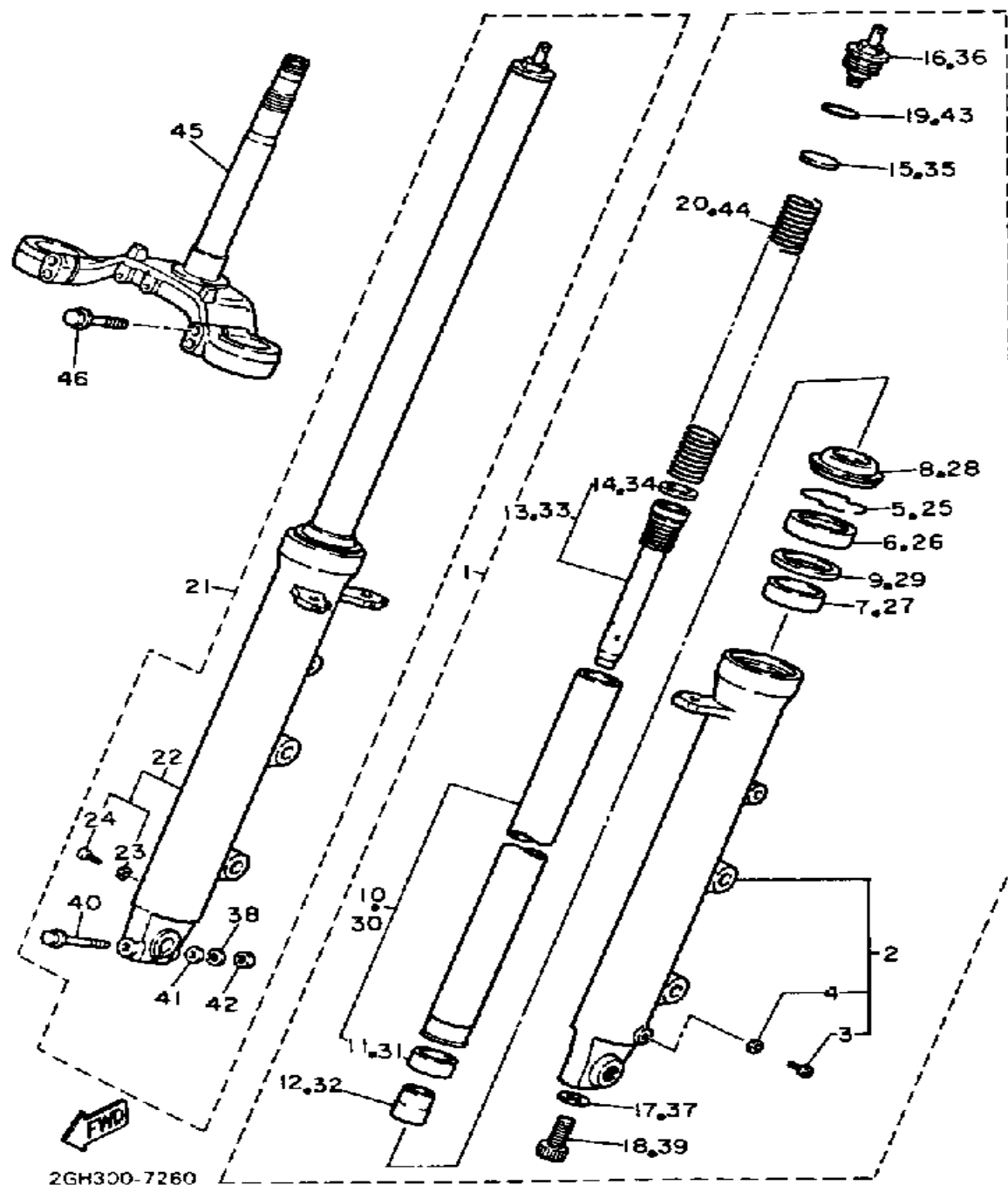
FRONT FORK



Ref. No.	Part Number	Description	Qty	Remarks
1	2GH-23102-00-00	FRONT FORK ASSEMBLY L	1	
2	2GH-23126-00-38	. TUBE, OUTER 1	1	CLEAR BUFFING
3	4H7-23119-00-00	.. PLUG, DRAIN - (122-23119-01)	1	
4	122-23129-00-00	.. GASKET, DRAIN PLUG	1	
5	26H-23156-00-00	. CLIP, OIL SEAL	1	
6	3LC-23145-00-00	. OIL SEAL	1	
7	3JD-23125-L0-00	. METAL, SLIDE 1 (3LC-23125-00-00)	1	
8	3LC-23144-00-00	. SEAL, DUST	1	
9	36Y-23146-10-00	. WASHER, OIL SEAL	1	
10	2GH-23110-00-00	. INNER TUBE 1	1	
11	36Y-23171-00-00	.. PISTON, FRONT FORK	1	
12	(2GH-23173-00-00)	SPINDLE, TAPER	1	
13	2GH-23170-00-00	. CYLINDER, FRTRFK FRONT FORK	1	
14	36Y-23157-00-00	.. RING, PISTON FRTRFK	1	
15	2GH-23149-00-00	. WASHER, SPRING UPR	1	
16	2GH-23111-00-00	. BOLT, CAP	1	
17	4V4-23158-L0-00	. GASKET	1	
18	4V4-23181-L0-00	. BOLT, HEXAGON SOCKET HEAD	1	
19	36Y-23147-00-00	. O-RING	1	
20	2GH-23141-00-00	. SPRING, FRONT FORK	1	
21	2GH-23103-00-00	FRONT FORK ASSEMBLY R	1	
22	2GH-23136-00-38	. TUBE, OUTER 2	1	CLEAR BUFFING
23	122-23129-00-00	.. GASKET, DRAIN PLUG	1	
24	4H7-23119-00-00	.. PLUG, DRAIN - (122-23119-01)	1	
25	26H-23156-00-00	. CLIP, OIL SEAL	1	

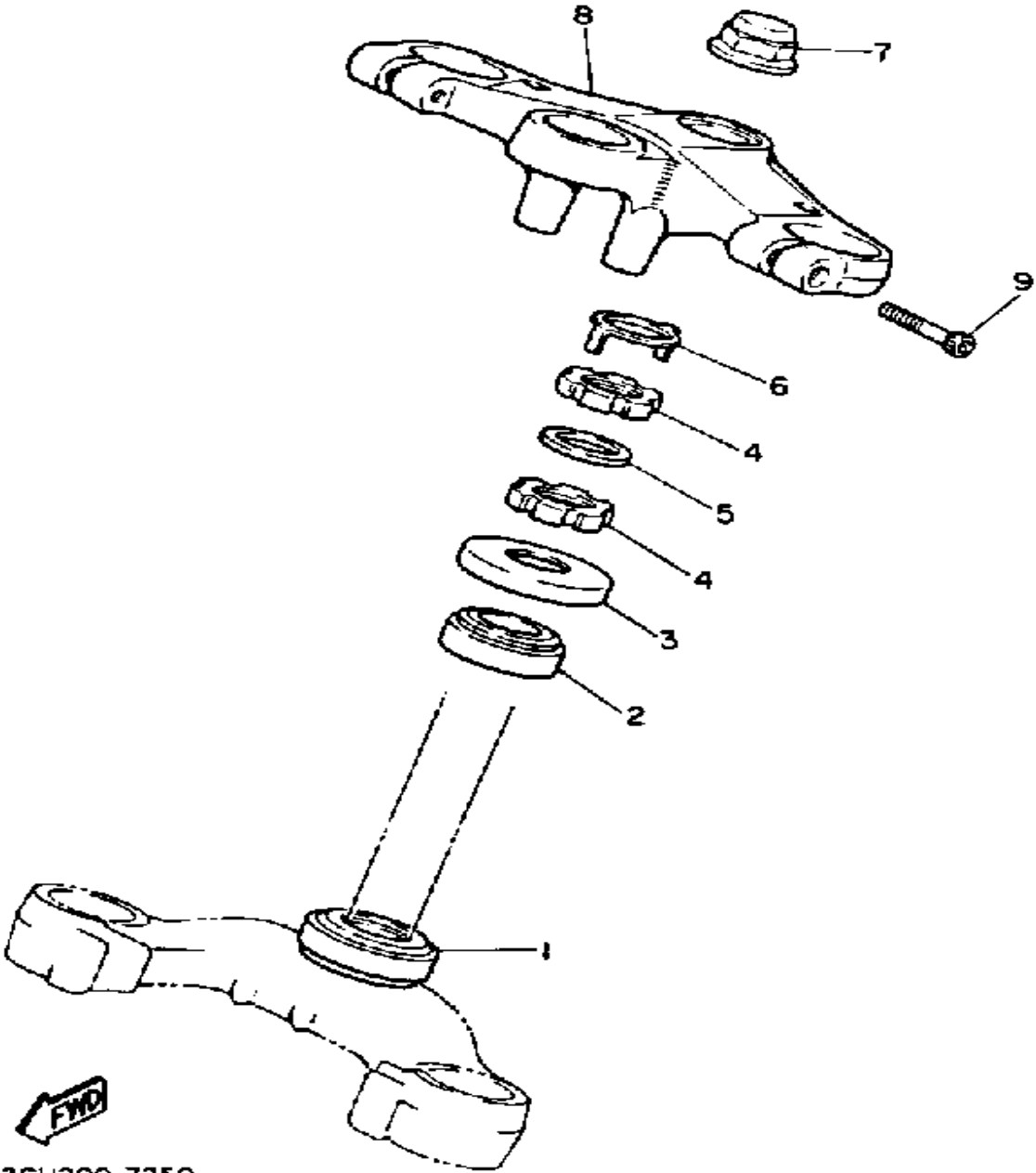
CONTINUED ON NEXT FRAME ►

FRONT FORK



Ref. No.	Part Number	Description	Qty	Remarks
26	3LC-23145-00-00	. OIL SEAL	1	
27	3JD-23125-L0-00	. METAL, SLIDE 1 (3LC-23125-00-00)	1	
28	3LC-23144-00-00	. SEAL, DUST	1	
29	36Y-23146-10-00	. WASHER, OIL SEAL	1	
30	2GH-23110-00-00	. INNER TUBE 1	1	
31	36Y-23171-00-00	. . PISTON, FRONT FORK	1	
32	¢2G-H2317-30-00	. UNAVAILABLE IN PRICE BOOK	1	
33	2GH-23170-00-00	. CYLINDER, FRTFRK FRONT FORK	1	
34	36Y-23157-00-00	. . RING, PISTON FRTFRK	1	
35	2GH-23149-00-00	. WASHER, SPRING UPR	1	
36	2GH-23111-00-00	. BOLT, CAP	1	
37	4V4-23158-L0-00	. GASKET	1	
38	92990-08100-00	. WASHER	1	
39	4V4-23181-L0-00	. BOLT, HEXAGON SOCKET HEAD	1	
40	1UJ-23128-00-00	. BOLT, AXLE HOLDER	1	
41	92901-08600-00	. WASHER	1	
42	95333-08600-00	. NUT	1	
43	36Y-23147-00-00	. O-RING	1	
44	2GH-23141-00-00	. SPRING, FRONT FORK	1	
45	2GH-23340-00-00	UNDER BRACKETCOMP	1	
46	1AE-23128-00-00	BOLT, AXLE HOLDER	4	

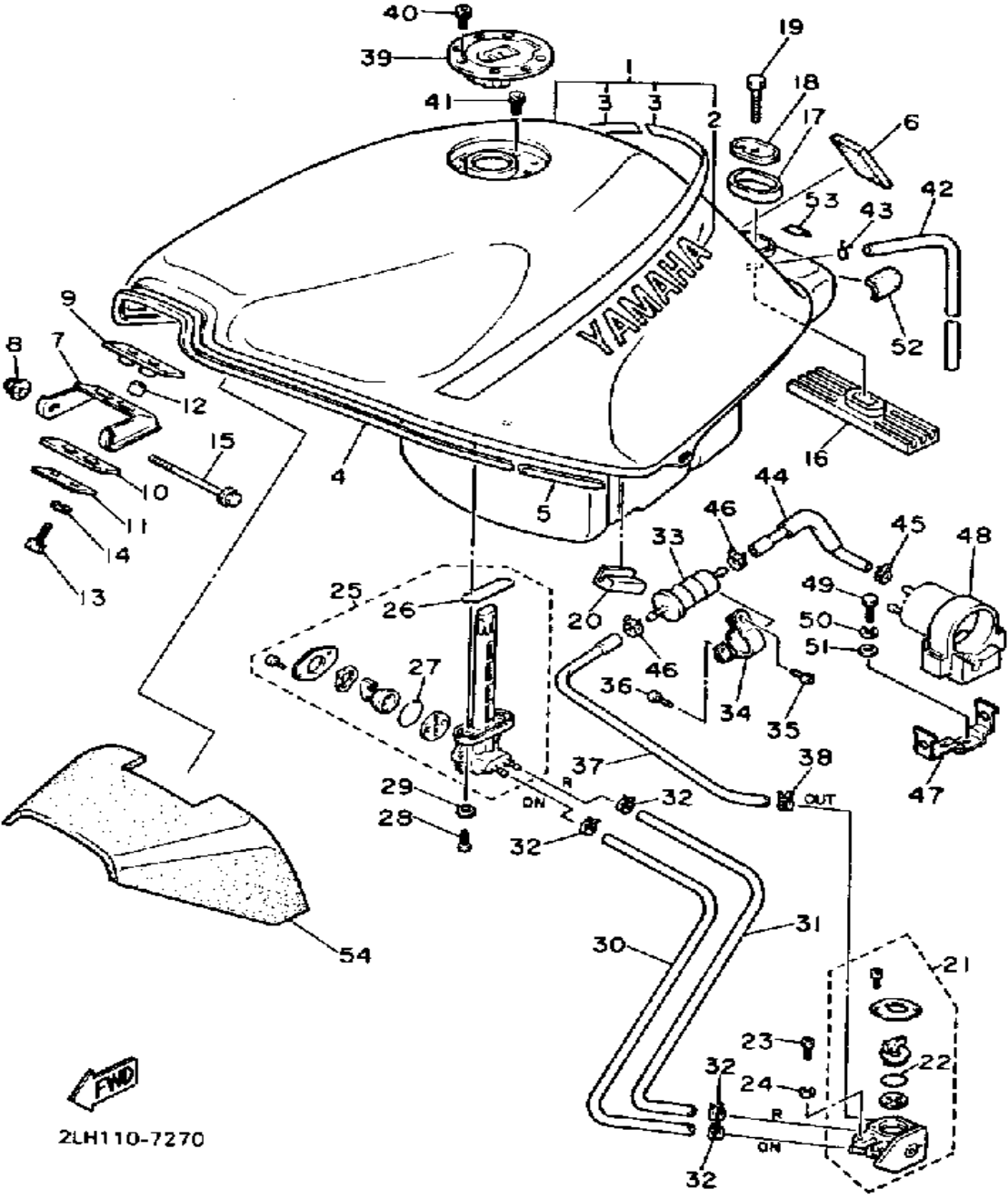
STEERING



2GH300-7250

Ref. No.	Part Number	Description	Qty	Remarks
1	93332-00008-00	BEARING	1	
2	93332-00001-00	BEARING	1	
3	2GH-23415-00-00	COVER, BALL RACE 1	1	
4	90179-25033-00	NUT	2	
5	90202-26142-00	WASHER, PLATE	1	
6	26H-23418-01-00	WASHER, SPECIAL	1	
7	90176-22050-00	NUT, CROWN	1	
8	2GH-23435-00-00	CROWN, HANDLE	1	
9	91316-08030-00	BOLT, SOCKET HEAD	2	

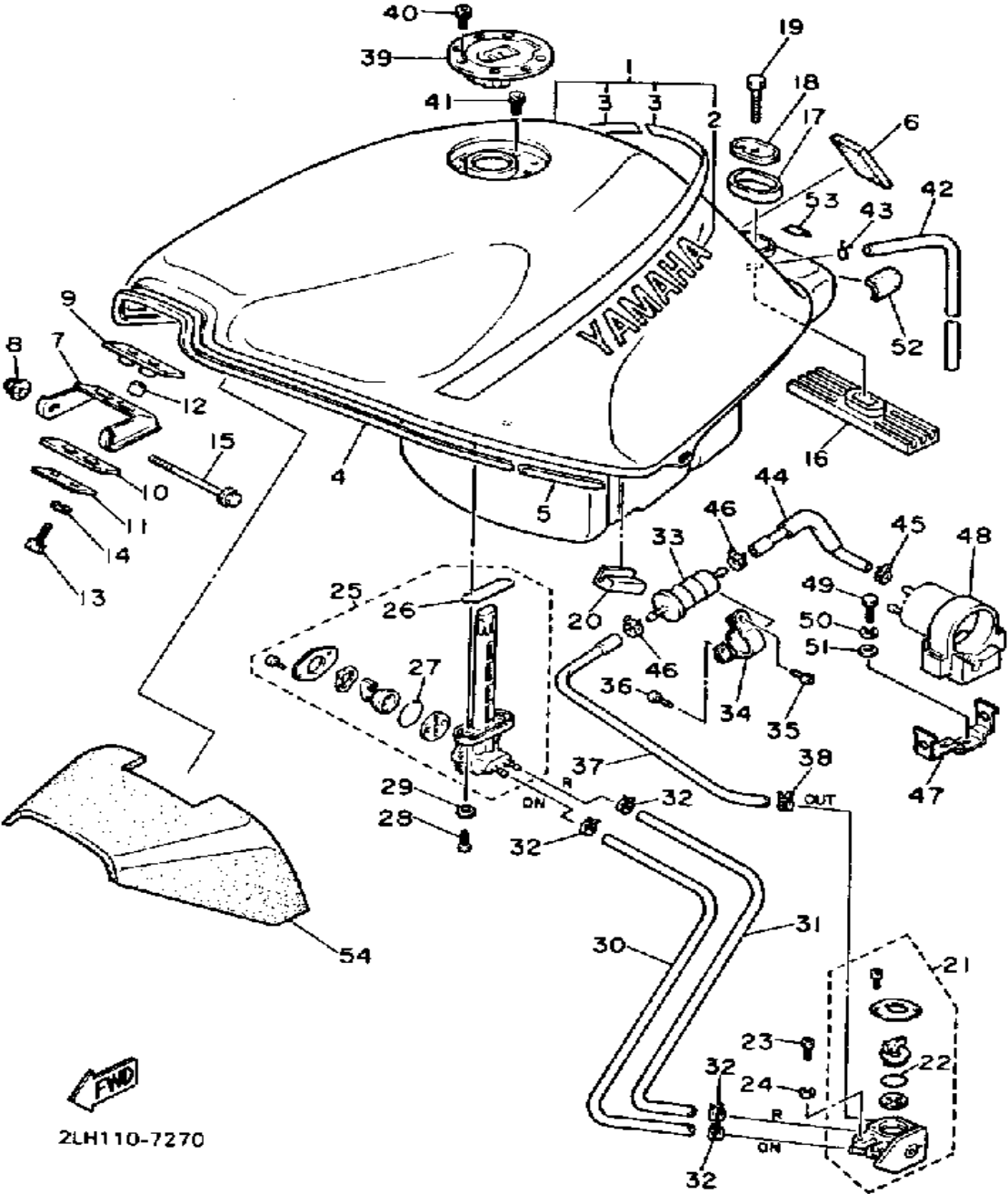
FUEL TANK (NON-CALIFORNIA MODEL)



Ref. No.	Part Number	Description	Qty	Remarks
1	2GH-24110-00-04	FUEL TANK (2GH-24110-00-01)	1	ATLANTIC BLUE/ SILKY WHITE
2	99224-00035-00	. EMBLEM, YAMAHA	2	
3	2GH-24240-00-00	. GRAPHIC SET	1	FOR SW/ABL
4	2GH-2834G-00-00	MOLD 5	1	
5	2GH-2834H-00-00	MOLD 6	2	
6	51L-28371-00-00	DAMPER	1	
7	2GH-24191-00-00	BRACKET, FUEL TANK 1	1	
8	95303-06800-00	NUT (CROWN)	1	
9	2GH-24181-00-00	DAMPER, LOCATING 1	1	
10	2GH-24183-00-00	DAMPER, LOCATING 3	1	
11	2GH-24186-00-00	WASHER, SPECIAL	1	
12	90387-06553-00	COLLAR	2	
13	97011-06025-00	BOLT (97001-06025)	2	
14	92995-06100-00	WASHER, SPRING	2	
15	95811-06075-00	BOLT, FLANGE	1	
16	2GH-24184-00-00	DAMPER, LOCATING 4	1	
17	3Y6-24183-00-00	DAMPER, LOCATING 3	1	
18	2GH-24187-00-00	WASHER, SPECIAL	1	
19	97313-08030-00	BOLT, HEXAGON	1	
20	3GM-24182-00-00	DAMPER, LOCATING 2	2	
21	3LN-24500-00-00	FUEL COCK ASSEMBLY 1	1	
22	1JK-24534-00-00	. SEAL, COCK	1	
23	98516-06012-00	SCREW, PAN HEAD	2	
24	92906-06100-00	WASHER, SPRING	2	
25	2GH-24510-00-00	FUEL COCK ASSEMBLY 2	1	
26	2W6-24512-00-00	. O-RING	1	
27	3H3-24534-00-00	. O-RING	1	
28	90149-06011-00	SCREW	2	

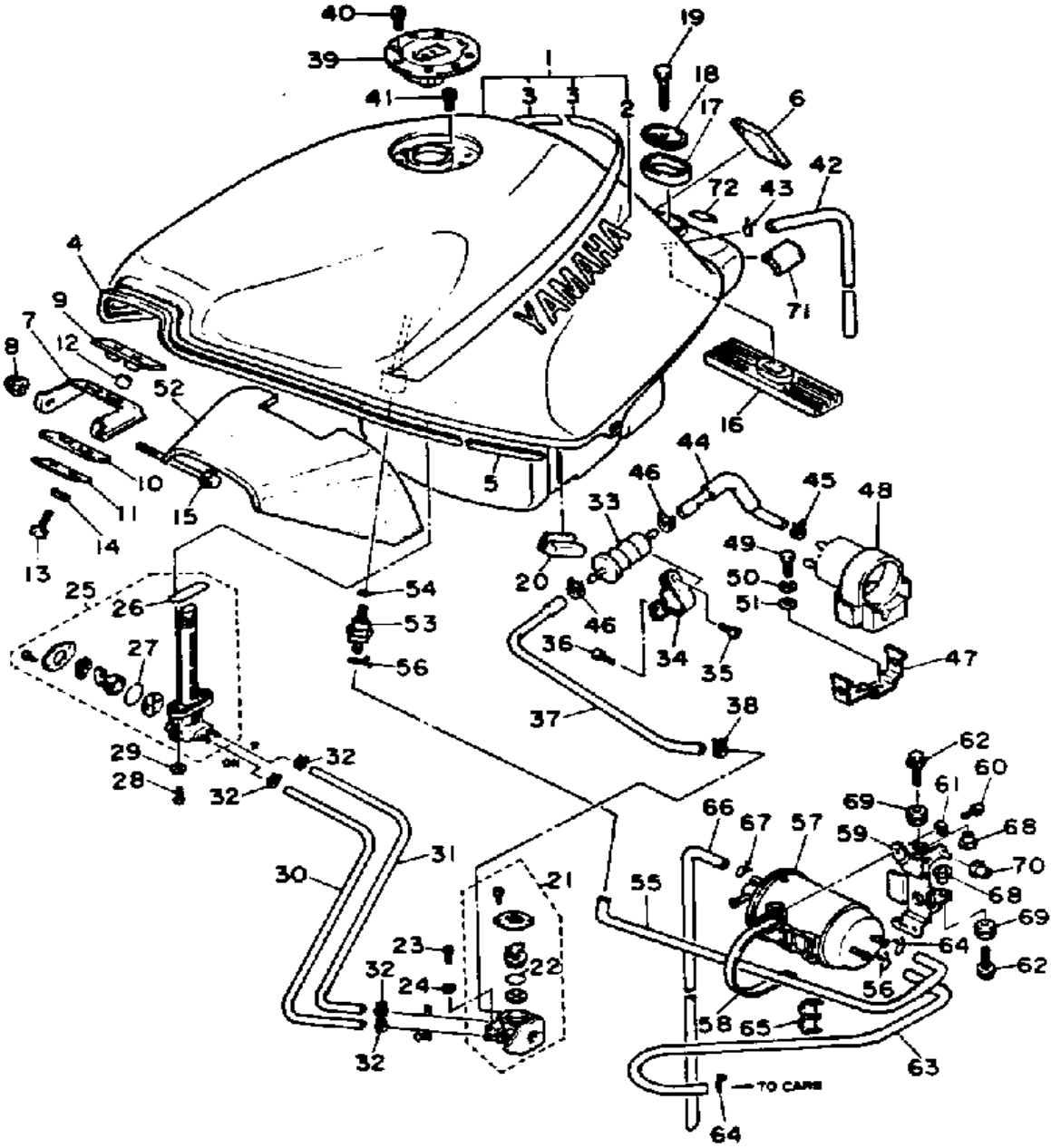
CONTINUED ON NEXT FRAME ►

FUEL TANK (NON-CALIFORNIA MODEL)



Ref. No.	Part Number	Description	Qty	Remarks
29	90202-05187-00	WASHER, PLATE	2	
30	90445-11698-00	HOSE	1	
31	90445-11698-00	HOSE	1	
32	90467-10091-00	CLIP, SCISSOR	4	
33	1FK-24560-00-00	FILTER ASSEMBLY	1	
34	2GH-24366-00-00	CLAMP, FUEL PIPE 1	1	
35	98903-05012-00	SCREW, BIND	1	
36	98903-06012-00	SCREW, BIND	1	
37	2GH-24312-00-00	PIPE 2	1	
38	90467-10091-00	CLIP, SCISSOR	1	
39	1JK-24602-13-00	CAP ASSEMBLY	1	
40	90110-05112-00	BOLT, HEXAGON SOCKET HEAD	3	
41	91311-05010-00	BOLT, SOCKET HEAD	1	
42	90445-105G5-00	HOSE	1	
43	90467-09006-00	CLIP	1	
44	2GH-24313-00-00	PIPE 3	1	
45	90467-10091-00	CLIP, SCISSOR	1	
46	90467-11044-00	CLIP	2	
47	(2GH-24136-00-00)	CLAMP 2	1	
48	2GH-24398-01-00	BAND 1	1	
49	97313-06016-00	BOLT, HEXAGON	1	
50	92995-06100-00	WASHER, SPRING	1	
51	92990-06600-00	WASHER, PLATE	1	
52	5H0-8235Y-M0-00	DAMPER, LOCATING 5 (2GH-24185-00-00)	2	
53	2GH-21732-00-00	SEAL 1	1	
54	2LJ-2414J-00-00	DAMPER PLATE 2	1	

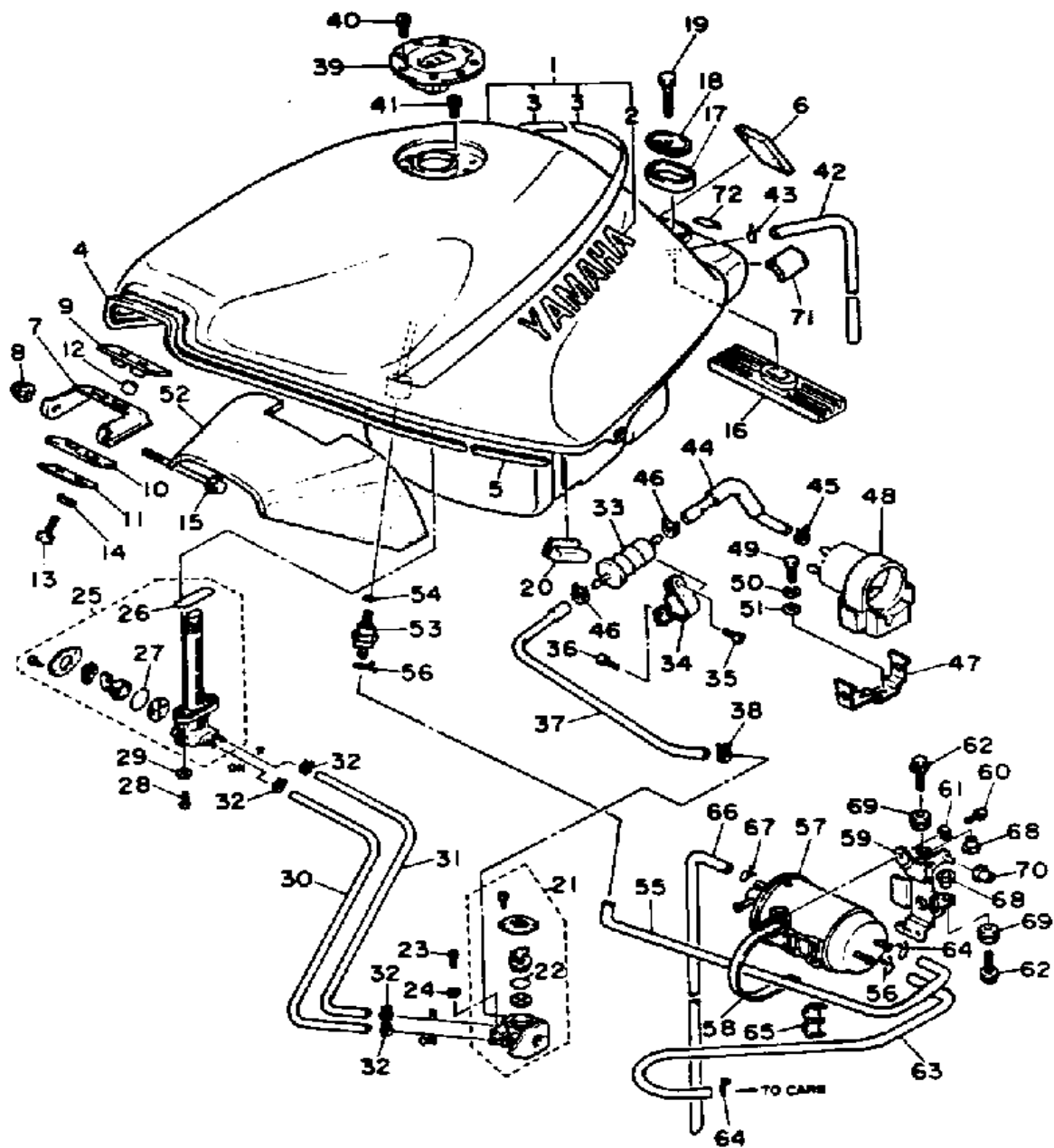
FUEL TANK (CALIFORNIA MODEL ONLY)



Ref. No.	Part Number	Description	Qty	Remarks
1	2LJ-24110-00-03	FUEL TANK	1	SILKY WHITE/ATLANTIC BLUE
2	99224-00035-00	. EMBLEM, YAMAHA	2	
3	2GH-24240-00-00	. GRAPHIC SET	1	FOR SW/ABL
4	2GH-2834G-00-00	MOLD 5	1	
5	2GH-2834H-00-00	MOLD 6	2	
6	51L-28371-00-00	DAMPER	1	
7	2GH-24191-00-00	BRACKET, FUEL TANK 1	1	
8	95303-06800-00	NUT (CROWN)	1	
9	2GH-24181-00-00	DAMPER, LOCATING 1	1	
10	2GH-24183-00-00	DAMPER, LOCATING 3	1	
11	2GH-24186-00-00	WASHER, SPECIAL	1	
12	90387-06553-00	COLLAR	2	
13	97011-06025-00	BOLT (97001-06025)	2	
14	92995-06100-00	WASHER, SPRING	2	
15	95811-06075-00	BOLT, FLANGE	1	
16	2GH-24184-00-00	DAMPER, LOCATING 4	1	
17	3Y6-24183-00-00	DAMPER, LOCATING 3	1	
18	2GH-24187-00-00	WASHER, SPECIAL	1	
19	97313-08030-00	BOLT, HEXAGON	1	
20	3GM-24182-00-00	DAMPER, LOCATING 2	2	
21	3LN-24500-00-00	FUEL COCK ASSEMBLY 1 ...	1	
22	1JK-24534-00-00	. SEAL, COCK	1	
23	98516-06012-00	SCREW, PAN HEAD	2	
24	92906-06100-00	WASHER, SPRING	2	
25	2GH-24510-00-00	FUEL COCK ASSEMBLY 2 ...	1	
26	2W6-24512-00-00	. O-RING	1	
27	3H3-24534-00-00	. O-RING	1	

CONTINUED ON NEXT FRAME ►

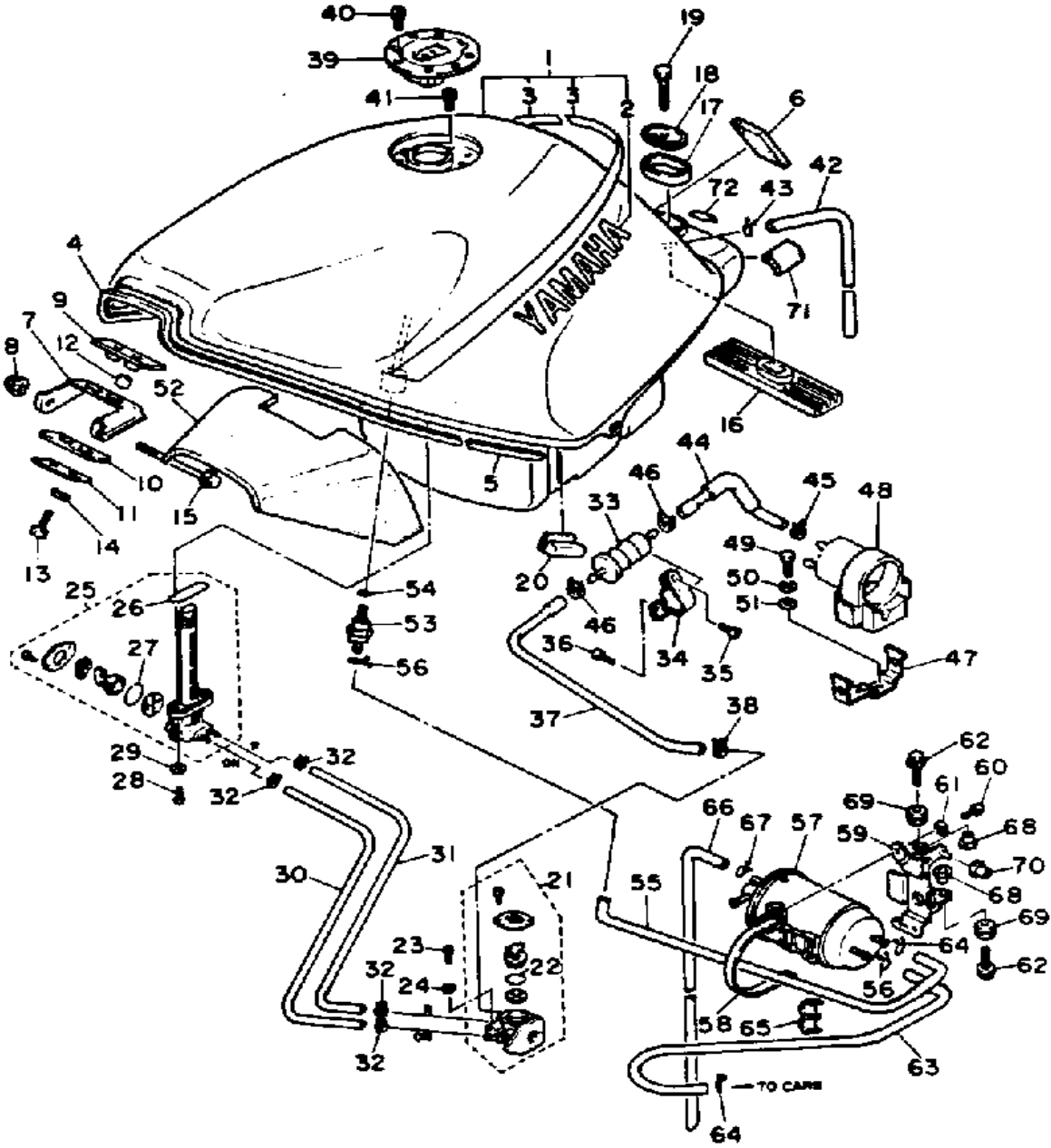
FUEL TANK (CALIFORNIA MODEL ONLY)



Ref. No.	Part Number	Description	Qty	Remarks
28	90149-06011-00	SCREW	2	
29	90202-05187-00	WASHER, PLATE	2	
30	90445-11698-00	HOSE	1	
31	90445-11698-00	HOSE	1	
32	90467-10091-00	CLIP, SCISSOR	4	
33	1FK-24560-00-00	FILTER ASSEMBLY	1	
34	2GH-24366-00-00	CLAMP, FUEL PIPE 1	1	
35	98903-05012-00	SCREW, BIND	1	
36	98903-06012-00	SCREW, BIND	1	
37	2GH-24312-00-00	PIPE 2	1	
38	90467-10091-00	CLIP, SCISSOR	1	
39	1LJ-24602-03-00	CAP ASSEMBLY	1	
40	90110-05112-00	BOLT, HEXAGON SOCKET HEAD	3	
41	91311-05010-00	BOLT, SOCKET HEAD	1	
42	90445-105G5-00	HOSE	1	
43	90467-09006-00	CLIP	1	
44	2GH-24313-00-00	PIPE 3	1	
45	90467-10091-00	CLIP, SCISSOR	1	
46	90467-11044-00	CLIP	2	
47	2G-H2413-60-00	UNAVAILABLE IN PRICE BOOK	1	
48	2GH-24398-01-00	BAND 1	1	
49	97313-06016-00	BOLT, HEXAGON	1	
50	92995-06100-00	WASHER, SPRING	1	
51	92990-06600-00	WASHER, PLATE	1	
52	2LJ-2414J-00-00	DAMPER PLATE 2	1	
53	20K-24180-00-00	ROLL OVER VALVE ASSEMBLY	1	
54	93210-10166-00	O-RING	1	

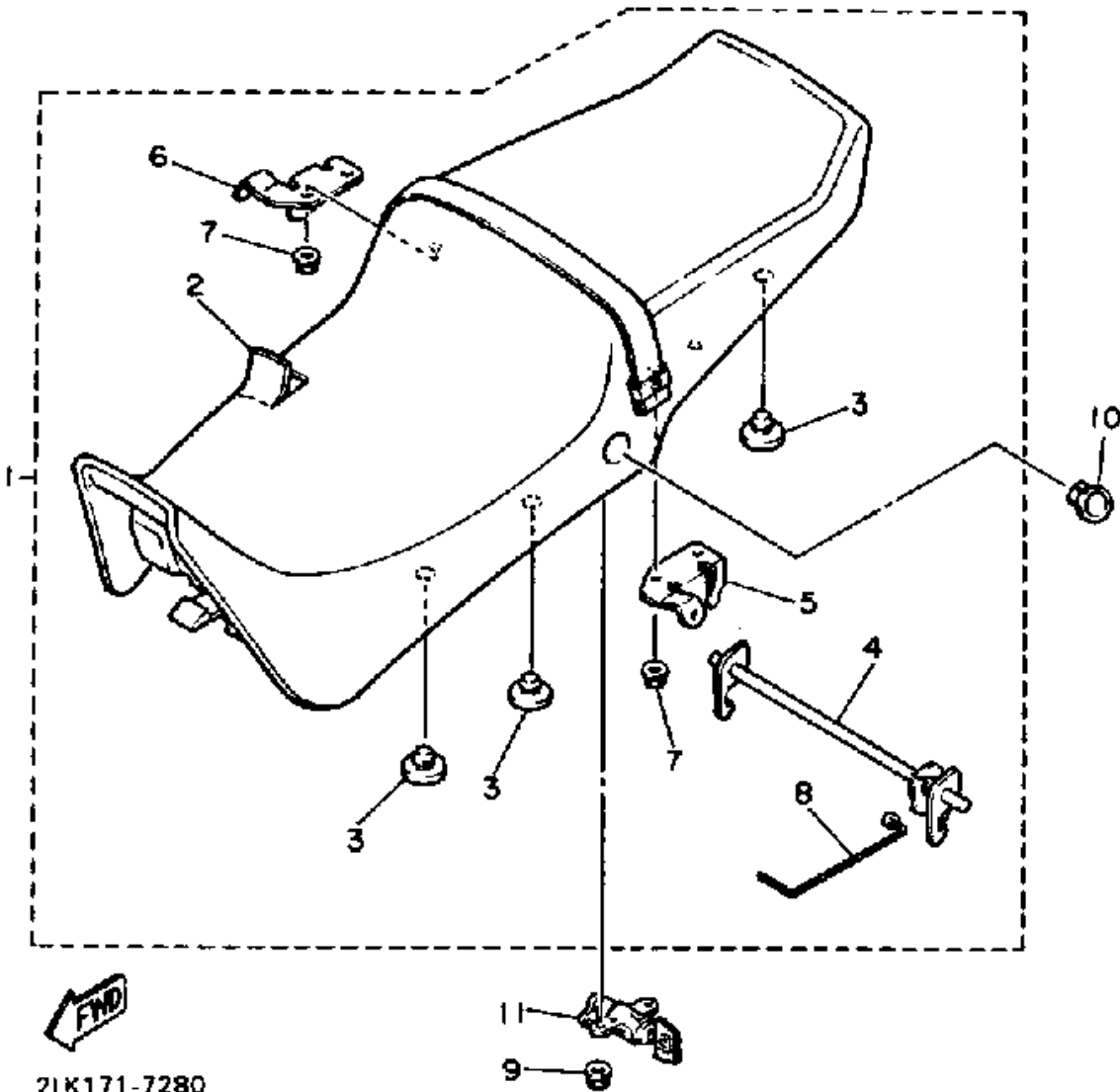
CONTINUED ON NEXT FRAME ►

FUEL TANK (CALIFORNIA MODEL ONLY)



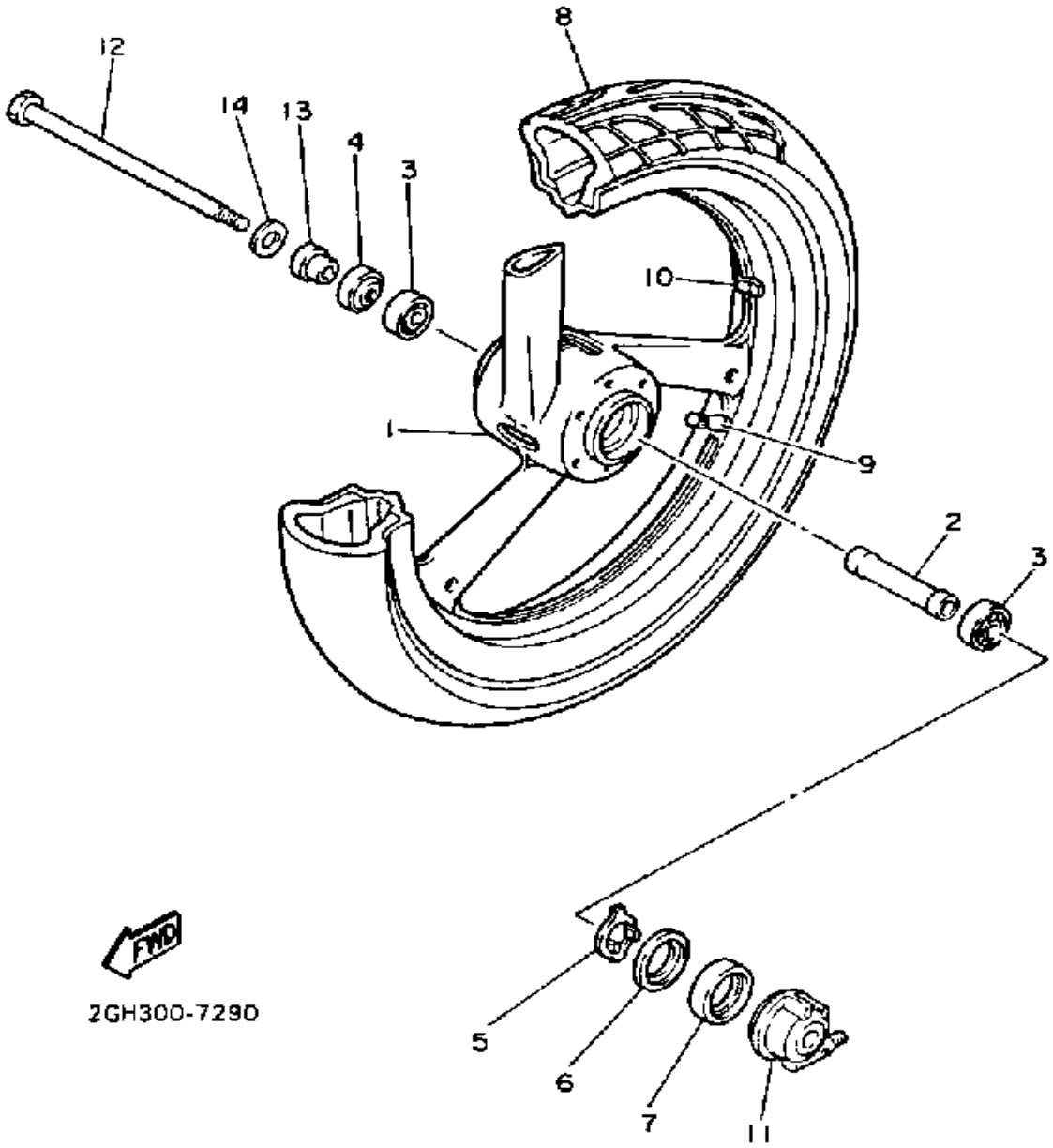
Ref. No.	Part Number	Description	Qty	Remarks
55	ø2L-J2431-10-00	UNAVAILABLE IN PRICE BOOK	1	
56	90467-09006-00	CLIP	2	
57	2LJ-24170-00-00	CANISTER ASSEMBLY	1	
58	ø1L-J2419-A0-00	UNAVAILABLE IN PRICE BOOK	1	
59	(2LJ-2419F-00-00)	BRACKET, CANISTOR	1	
60	98580-06012-00	SCREW, PAN HEAD	1	
61	92995-06100-00	WASHER, SPRING	1	
62	90119-06063-00	BOLT, WITH WASHER	2	
63	ø2L-J2431-20-00	UNAVAILABLE IN PRICE BOOK	1	
64	90467-09006-00	CLIP	2	
65	90464-10075-00	CLAMP	1	
66	90445-11293-00	HOSE	1	
67	90467-11102-00	CLIP, SCISSOR	1	
68	90387-06681-00	COLLAR	2	
69	90480-12237-00	GROMMET	2	
70	90480-10408-00	GROMMET	1	
71	5H0-8235Y-M0-00 (2GH-24185-00-00)	DAMPER, LOCATING 5	2	
72	2GH-21732-00-00	SEAL 1	1	

SEAT



Ref. No.	Part Number	Description	Qty	Remarks
1	2GH-24730-00-00	DOUBLE SEAT ASSEMBLY ...	1	
2	2GH-24731-00-00	. COVER, DOUBLE SEAT	1	
3	2GH-24741-00-00	. PAD, SEAT	6	
4	2GH-24776-00-00	. LEVER, SEAT	1	
5	1KT-24718-00-00	. BRACKET, SEAT	1	
6	1KT-24728-00-00	. BRACKET, SEAT	1	
7	95701-06500-00	. NUT, FLANGE	4	
8	1JK-2478F-00-00	. ROD, CONNECTING	1	
9	95701-05500-00	NUT, FLANGE	2	
10	47X-24796-00-00	COVER	1	
11	51X-24705-00-00	SEAT LOCK ASSEMBLY	1	

FRONT WHEEL

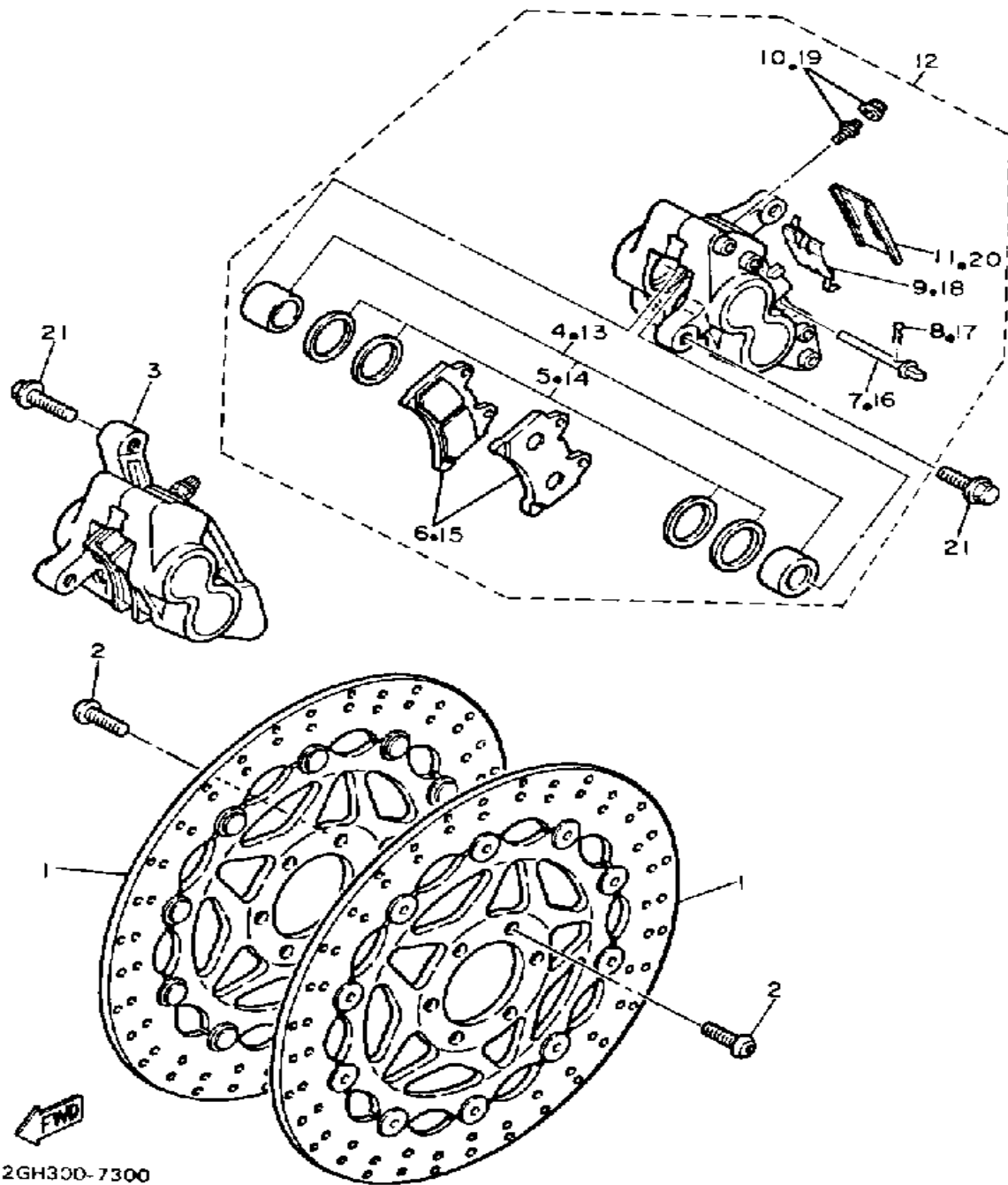


Ref. No.	Part Number	Description	Qty	Remarks
1	2GH-25168-00-FH	WHEEL, CAST FRONT	1	FIRE RED
2	90560-15255-00	SPACER	1	
3	93306-30202-00	BEARING	2	
4	93102-22014-00	OIL SEAL	1	
5	341-25149-00-00	CLUTCH, METER	1	
6	341-25846-00-00	RETAINER, CLUTCH	1	
7	93105-45017-00	OIL SEAL	1	
8	94112-171R8-00	120/70 VR17-V270BS	1	UR
9	93900-00029-00	VALVE, RIM (2LE)	1	UR DUNLOP
	93900-00030-00	VALVE, RIM	1	UR BRIDGESTONE
10	29L-25398-00-00	BALANCER, WHEEL (10G)	1	UN
	29L-25398-10-00	BALANCER, WHEEL (20G)	1	UN
	29L-25398-20-00	BALANCER, WHEEL (30G)	1	UN
11	2GH-25190-00-00	GEAR UNIT ASSEMBLY	1	
12	47X-25181-00-00	AXLE, WHEEL	1	
13	90387-15550-00	COLLAR	1	
14	90201-15238-00	WASHER, PLATE	1	



2GH300-7290

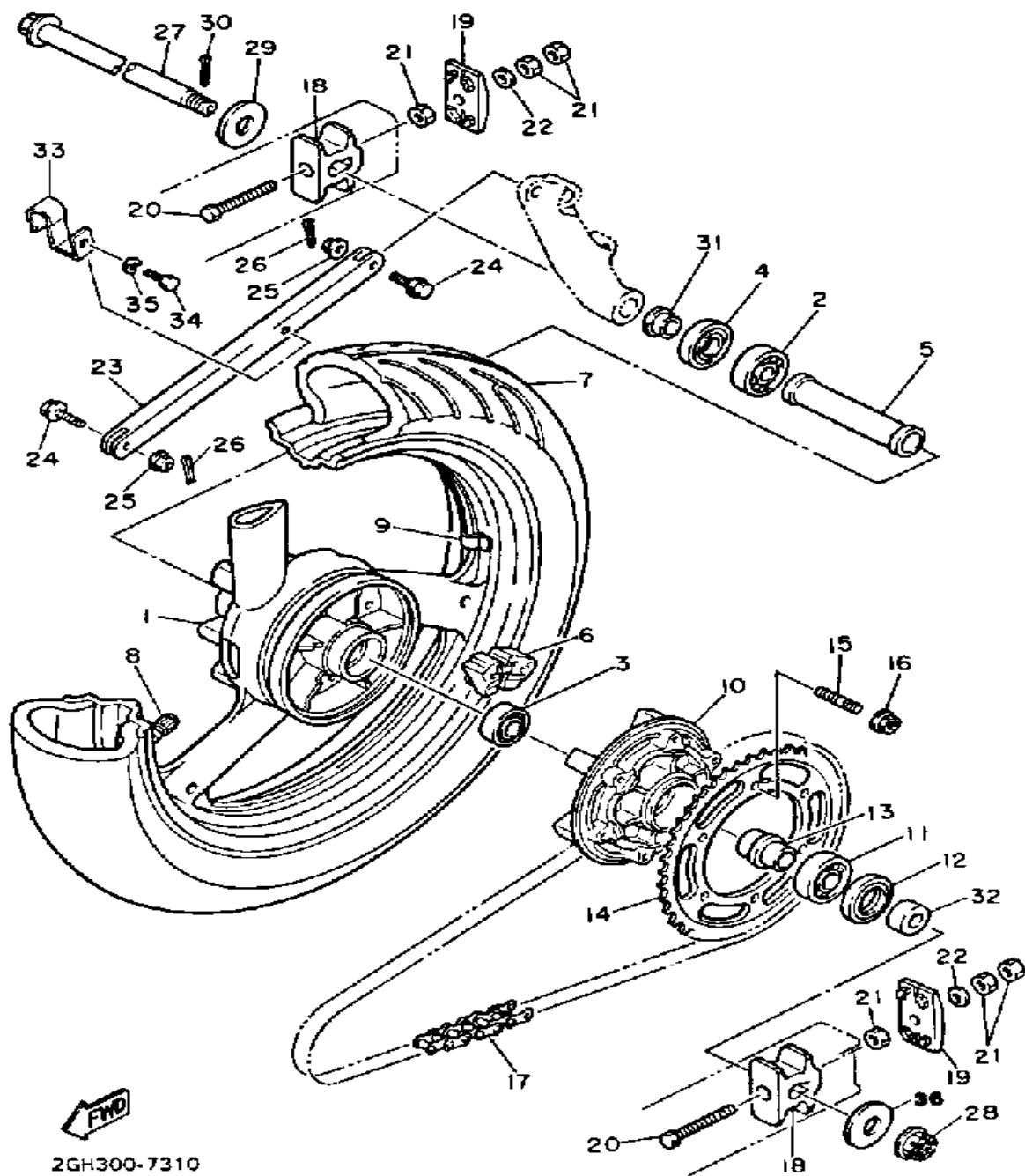
FRONT BRAKE CALIPER



Ref. No.	Part Number	Description	Qty	Remarks
1	2GH-25830-00-00	DISC BRAKE ASSEMBLY	2	
2	90109-08718-00	BOLT	12	
3	2GH-25810-00-00	CALIPER ASSEMBLY	1	
4	1NL-W0057-00-00	. PISTON ASSEMBLY, CALIPER	2	
5	1NL-W0047-00-00	. . CALIPER SEAL KIT	1	
6	2GH-W0045-01-00	. BRAKE PAD KIT, FRNT	1	
7	3HE-25924-00-00	. PIN, PAD	2	
8	3GM-25925-00-00	. CLIP	2	
9	2GH-25919-00-00	. SUPPORT, PAD	1	
10	1J3-W0048-00-00	. BLEED SCREW KIT	1	
11	1KT-25836-00-00	. COVER, DUST	1	
12	2GH-25810-10-00	CALIPER ASSEMBLY	1	
13	1NL-W0057-00-00	. PISTON ASSEMBLY, CALIPER	2	
14	1NL-W0047-00-00	. . CALIPER SEAL KIT	1	
15	2GH-W0045-01-00	. BRAKE PAD KIT, FRNT	1	
16	3HE-25924-00-00	. PIN, PAD	2	
17	3GM-25925-00-00	. CLIP	2	
18	2GH-25919-00-00	. SUPPORT, PAD	1	
19	1J3-W0048-00-00	. BLEED SCREW KIT	1	
20	1KT-25836-00-00	. COVER, DUST	1	
21	90105-10638-00	BOLT, WASHER BASED	4	

2GH300-7300

REAR WHEEL

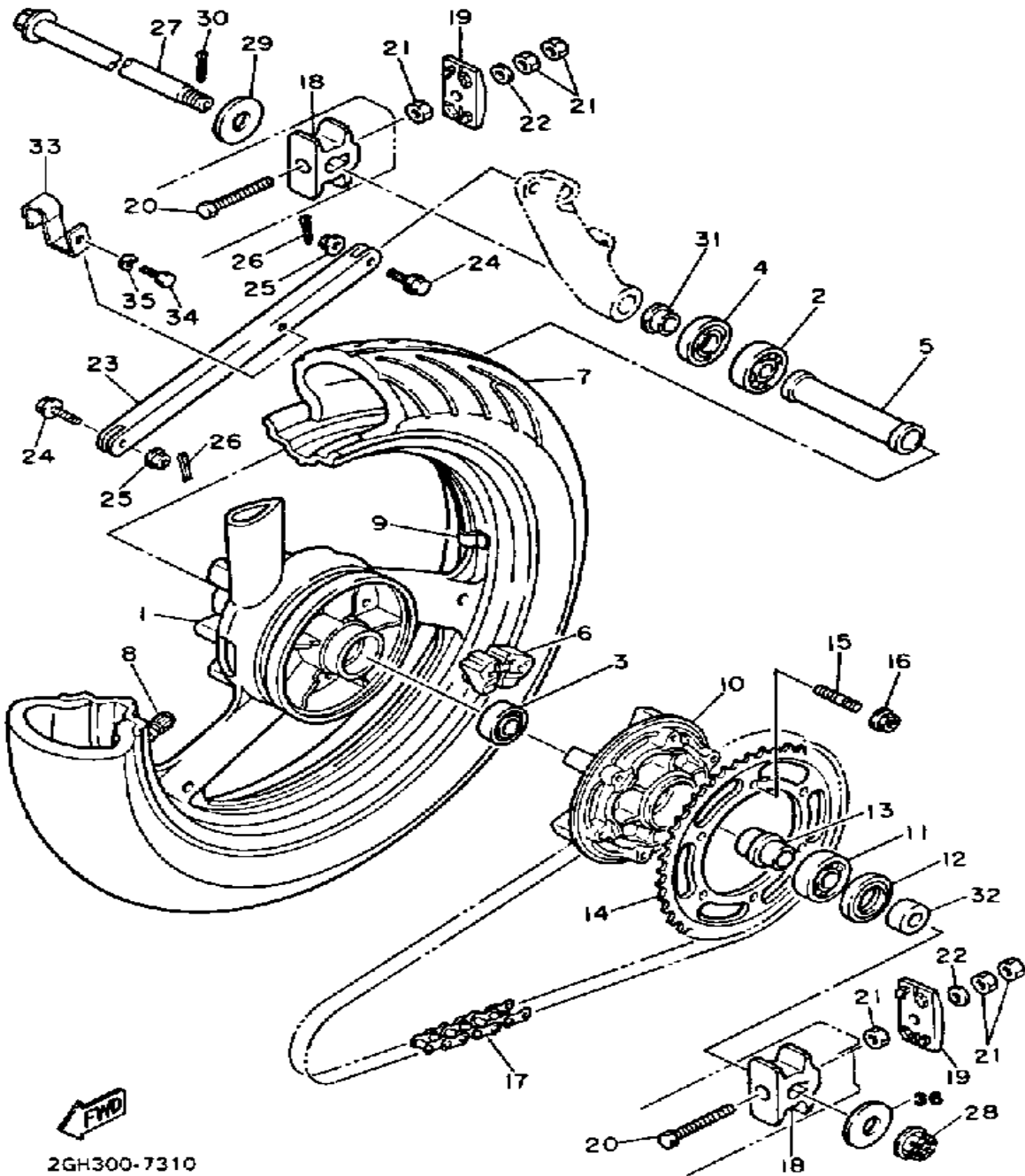


2GH300-7310

Ref. No.	Part Number	Description	Qty	Remarks
1	2GH-25338-00-FH	WHEEL, CAST REAR	1	FIRE RED
2	93306-30309-00	BEARING	1	
3	93306-30309-00	BEARING	1	
4	93102-25044-00	OIL SEAL	1	
5	90560-17260-00	SPACER	1	
6	2GH-25364-00-00	DAMPER	5	
7	94116-181R6-00	160/60 VR18-V270BS	1	UR BRIDGESTONE
8	93900-00030-00	VALVE, RIM	1	
9	29L-25398-00-00	BALANCER, WHEEL (10G)	1	UN
	29L-25398-10-00	BALANCER, WHEEL (20G)	1	UN
	29L-25398-20-00	BALANCER, WHEEL (30G)	1	UN
10	36Y-25366-01-00	CLUTCH, HUB	1	
11	93306-30507-00	BEARING	1	
12	93102-35065-00	OIL SEAL, SD-TYPE	1	
13	90387-171T5-00	COLLAR	1	
14	2GH-25447-21-00	SPROCKET, DRIVEN (47T)	1	YAMAHA BLACK
15	90116-10485-00	BOLT, STUD	6	
16	95601-10200-00	NUT, SELF-LOCKING	6	
17	94581-26110-00	CHAIN (DID532ZLV-110L)	1	DAIDO
18	2GH-25388-00-00	PULLER, CHAIN 1	2	
19	2GH-25389-00-00	PULLER, CHAIN 2	2	
20	90101-08647-00	BOLT	2	
21	95333-08600-00	NUT	6	
22	92901-08600-00	WASHER	2	
23	1WG-25371-00-00	BAR, TENSION	1	
24	90105-08321-00	BOLT, WASHER BASED	2	
25	95701-08500-00	NUT, FLANGE	2	
26	91490-20020-00	PIN, COTTER	2	
27	2GH-25381-00-00	AXLE, WHEEL	1	

CONTINUED ON NEXT FRAME ►

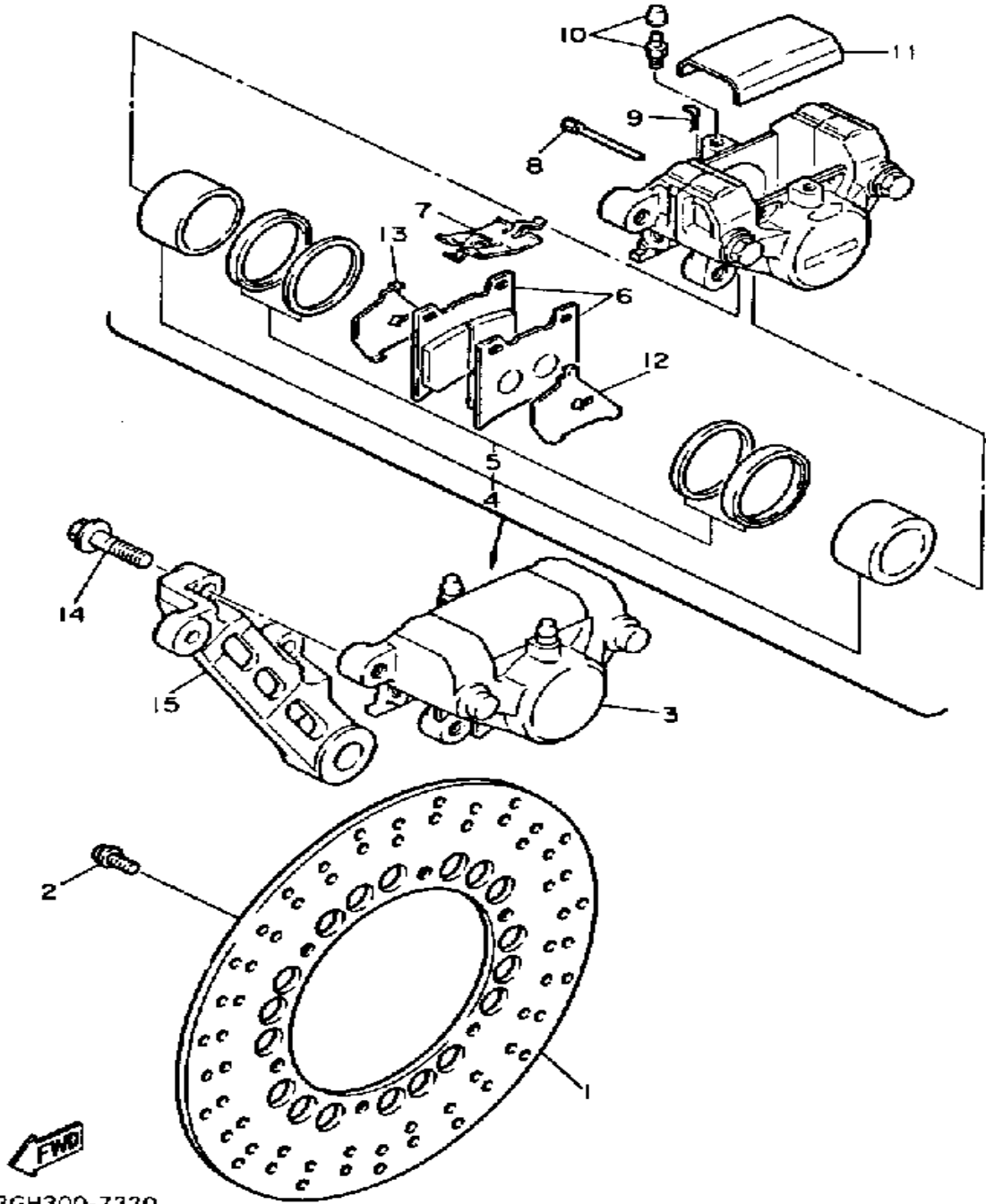
REAR WHEEL



2GH300-7310

Ref. No.	Part Number	Description	Qty	Remarks
28	90171-16024-00	NUT, CASTLE	1	
29	90201-177K7-00	WASHER, PLATE	2	
30	91401-30030-00	PIN, COTTER	1	
31	90387-177Y4-00	COLLAR	1	
32	90387-171T6-00	COLLAR	1	
33	2GH-25876-00-00	HOLDER, BRKE HOSE 2	1	
34	97011-06010-00	BOLT	1	
35	92995-06100-00	WASHER, SPRING	1	
36	90201-165L8-00	WASHER, PLATE	1	

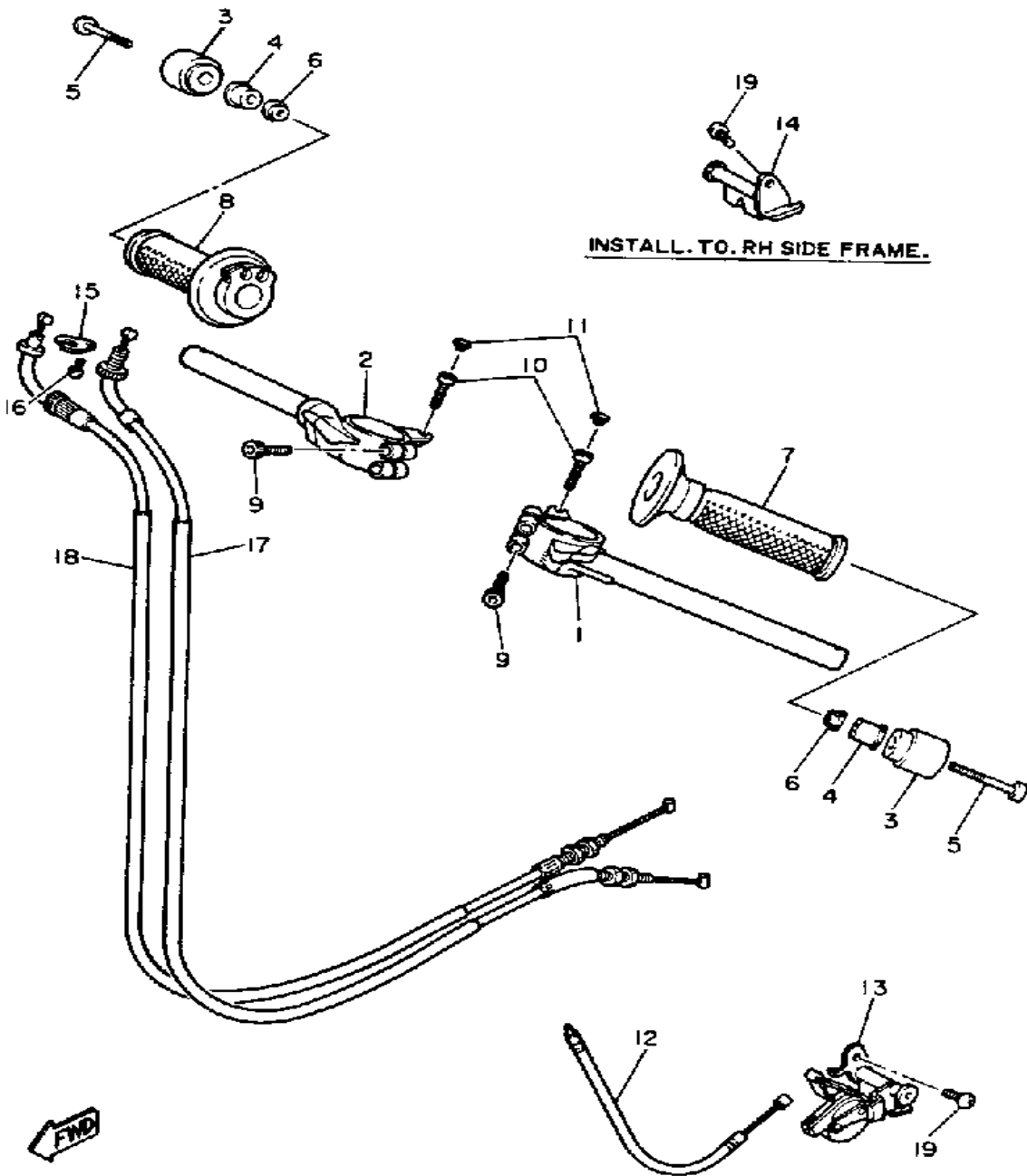
REAR BRAKE CALIPER



2GH300-7320

Ref. No.	Part Number	Description	Qty	Remarks
1	2KT-25831-00-00	DISC, BRAKE (RIGHT)	1	
2	90109-08718-00	BOLT	6	
3	2KT-25810-51-00	CALIPER ASSEMBLY	1	
4	31A-W0057-00-00	. PISTON ASSEMBLY, CALIPER	1	
5	31A-W0047-00-00	. . CALIPER SEAL KIT	1	
6	47X-W0045-01-00	. BRAKE PAD KIT, FRNT	1	
7	1WG-25919-00-00	. SUPPORT, PAD	1	
8	3HE-25924-00-00	. PIN, PAD	2	
9	3HE-25925-00-00	. CLIP	2	
10	1J3-W0048-00-00	. BLEED SCREW KIT	2	
11	51J-25836-00-00	. COVER, DUST	1	
12	1FK-25827-00-00	. SHIM, CALIPER	1	
13	1FK-25828-00-00	. SHIM, CALIPER	1	
14	90105-10638-00	BOLT, WASHER BASED	2	
15	1AE-25819-52-00	BRACKET, CALIPER	1	

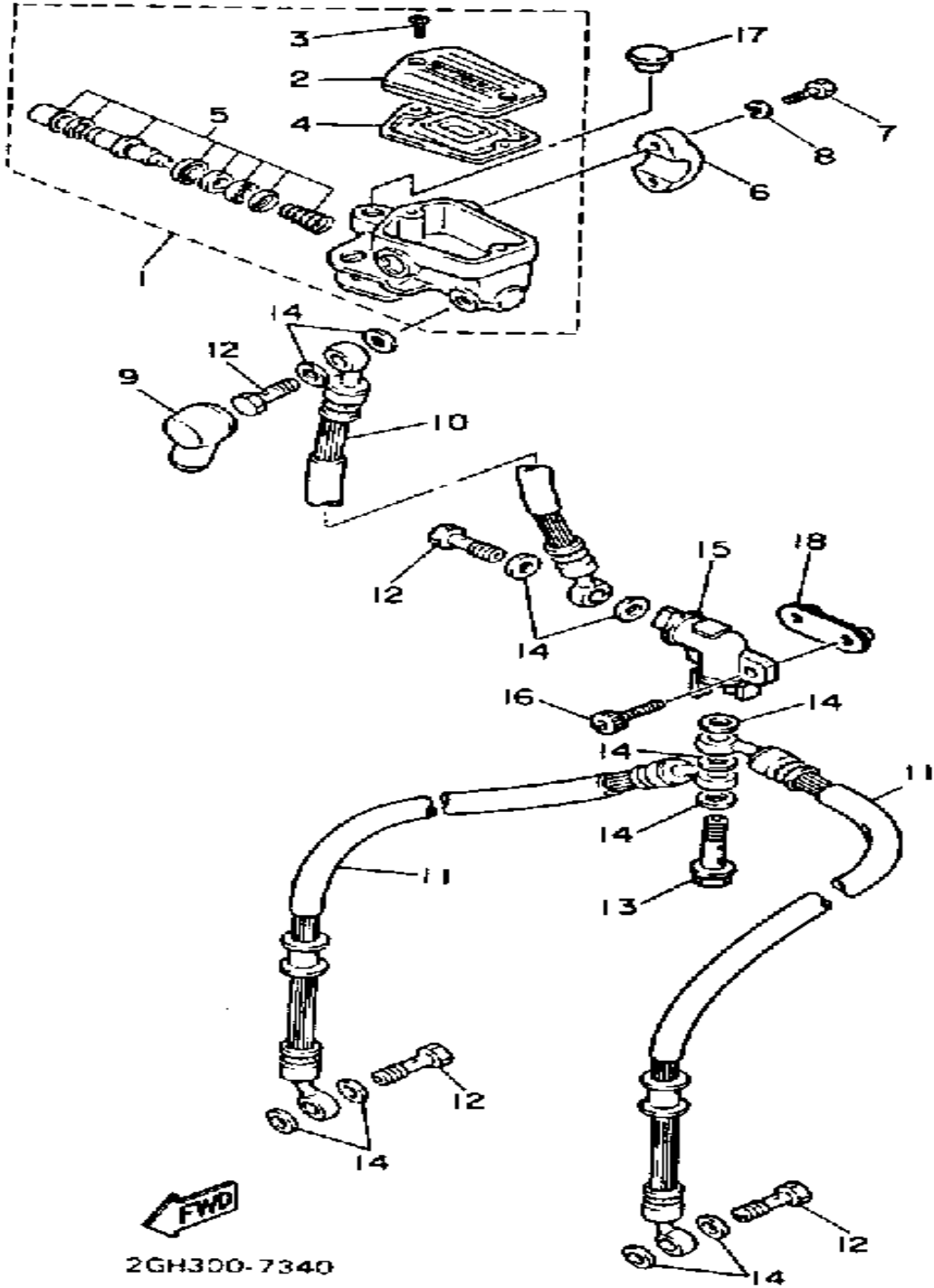
HANDLEBAR - CABLE



2GH300-7330

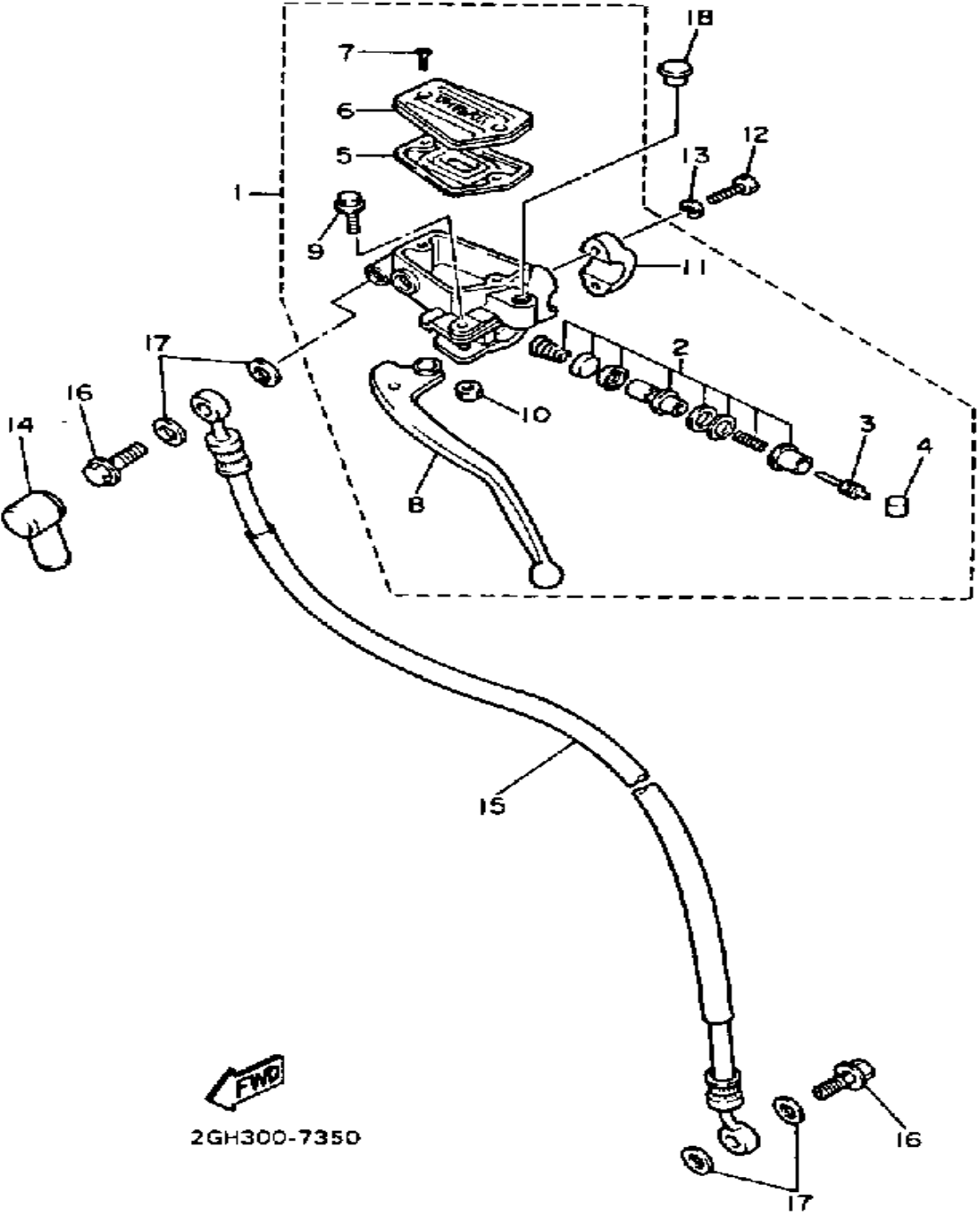
Ref. No.	Part Number	Description	Qty	Remarks
1	2GH-26121-00-00	HANDLEBAR LH	1	
2	2GH-26122-00-00	HANDLEBAR RH	1	
3	2GH-26246-10-00	END GRIP	2	
4	2GH-2622F-00-00	DAMPER, LOCATING 1	2	
5	91316-06070-00	BOLT, SOCKET HEAD	2	
6	95706-06500-00	NUT, FLANGE	2	
7	47X-26241-00-00	GRIP (LEFT)	1	
8	47X-26240-00-00	GRIP ASSEMBLY	1	
9	91316-08030-00	BOLT, SOCKET HEAD	4	
10	90110-06157-00	BOLT HEXAGON (2GH)HEXAGON SOCKET HEAD	2	
11	10L-23469-00-00	CAP, BOLT	2	
12	2GH-26331-00-00	CABLE, STARTER 1	1	
13	2GH-83940-00-00	STARTER ASSEMBLY	1	
14	2GH-2832U-00-00	STAY, SIDE 1	1	
15	5H0-26393-00-00	HOLDER	1	
16	98506-05008-00	SCREW, PAN HEAD	1	
17	2GH-26312-00-00	CABLE, THROTTLE 2	1	
18	2GH-26311-00-00	CABLE, THROTTLE 1	1	
19	92016-06020-00	SCREW	2	

FRONT MASTER CYLINDER



Ref. No.	Part Number	Description	Qty	Remarks
1	36Y-25850-01-00	MASTER CYLINDER ASSEMBLY	1	
2	36Y-25852-01-00	. CAP, RESERVOIR	1	
3	98706-04012-00	. SCREW, FLAT HEAD	2	
4	36Y-25854-00-00	. DIAPHRAGM, RESERVOIR	1	
5	36Y-W0041-00-00	. CYLINDER KIT, MASTER	1	
6	36Y-25867-00-00	BRACKET, MASTER CYLINDER	1	
7	91316-06025-00	BOLT	2	
8	92906-06100-00	WASHER, SPRING	2	
9	4L0-25862-00-00	BOOT, MASTER CYLINDER	1	
10	2GH-25872-01-00	HOSE, BRAKE 1	1	
11	2GH-25873-00-00	HOSE, BRAKE 2	2	
12	90401-10096-00	BOLT, UNION	4	
13	90401-10095-00	BOLT, UNION	1	
14	90201-10118-00	WASHER, PLATE	11	
15	11U-25885-00-00	JOINT	1	
16	90110-06138-00	BOLT, HEX SKT HEAD	2	
17	90338-09012-00	PLUG	1	
18	2GH-2612E-00-00	BRACKET	1	

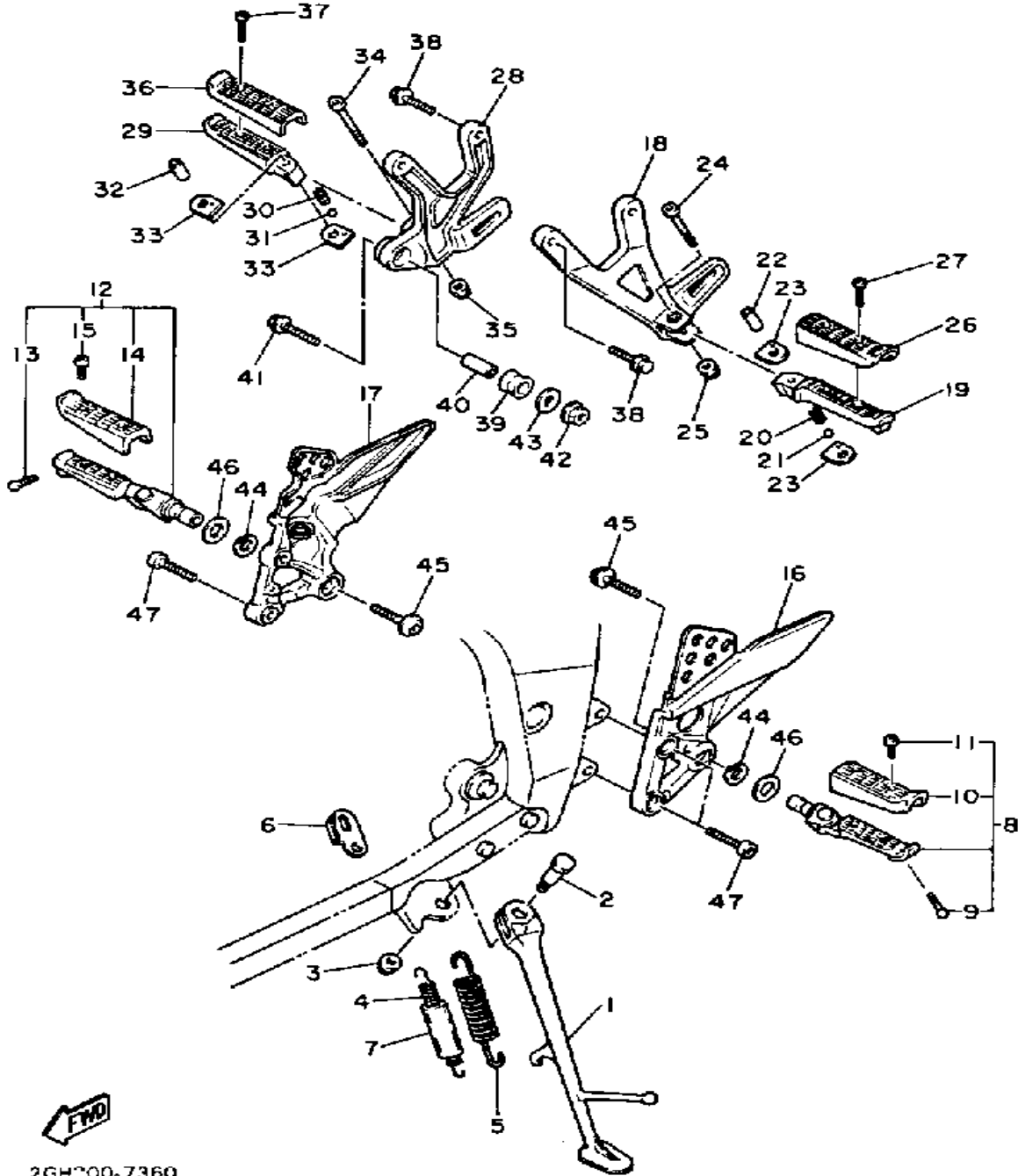
FRONT MASTER CYLINDER 2



Ref. No.	Part Number	Description	Qty	Remarks
1	3BV-26450-10-00	MASTER CYLINDER ASSEMBLY (CLUTCH)	1	
2	2KW-W0099-00-00	. CYLINDER KIT, MASTER (CLUTCH)	1	
3	26H-26464-00-00	. ROD, PUSH	1	
4	3GM-26455-00-00	. BUSH	1	
5	1AE-26454-00-00	. DIAPHRAGM, RESERVOIR	1	
6	1FK-26452-01-00	. CAP, RESERVOIR	1	
7	98706-04012-00	. SCREW, FLAT HEAD	2	
8	1AE-83912-00-00	. LEVER L	1	
9	90109-067A0-00	. BOLT	1	
10	95616-06100-00	. NUT, U	1	
11	1AE-26467-00-00	. HOLDER	1	
12	91316-06025-00	BOLT	2	
13	92906-06100-00	WASHER, SPRING	2	
14	4L0-25862-00-00	BOOT, MASTER CYLINDER	1	
15	2GH-26470-01-00	HOSE, CLUTCH	1	
16	90401-10096-00	BOLT, UNION	2	
17	90201-10118-00	WASHER, PLATE	4	
18	90338-09012-00	PLUG	1	

FWD
2GH300-7350

STAND - FOOTREST

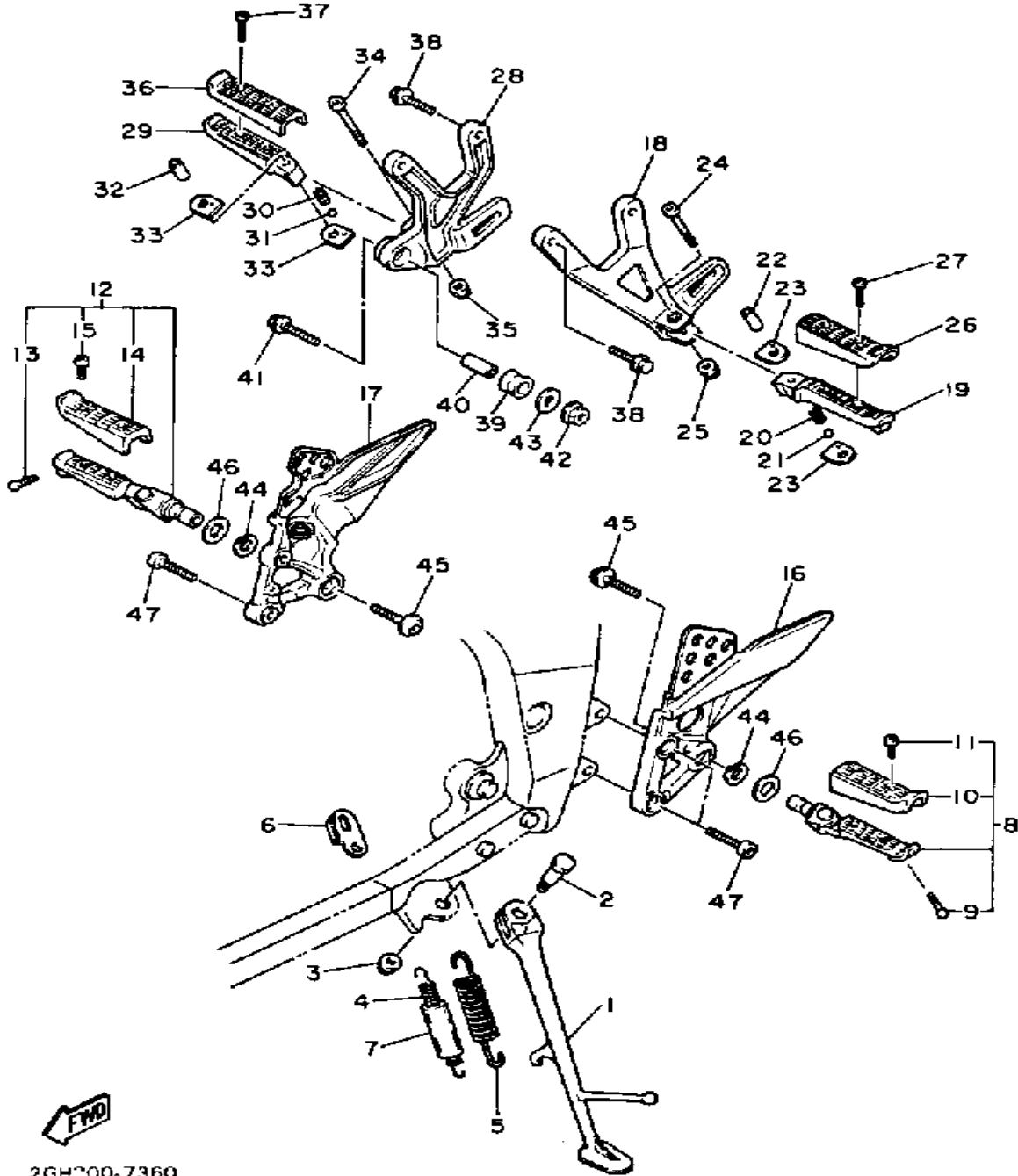


FWD
2GH00-7360

Ref. No.	Part Number	Description	Qty	Remarks
1	2GH-27311-00-00	STAND, SIDE	1	
2	90109-104E6-00	BOLT	1	
3	90185-10037-00	NUT, SELF-LOCKING	1	
4	90506-18224-00	SPRING, TENSION	1	
5	90506-26225-00	SPRING, TENSION	1	
6	2KT-27315-00-00	LINK, SIDE STAND	1	
7	1TX-27351-00-00	GUIDE, SIDE STAND	1	
8	2GH-27410-00-00	FRONT FOOTREST ASSEMBLY (LEFT)	1	
9	90109-083E2-00	. BOLT	1	
10	2GH-27413-00-00	. COVER, FOOTREST	1	
11	90157-05079-00	. SCREW, PAN HEAD	2	
12	2GH-27420-00-00	FRONT FOOTREST ASSEMBLY (RIGHT)	1	
13	90109-083E2-00	. BOLT	1	
14	2GH-27413-00-00	. COVER, FOOTREST	1	
15	90157-05079-00	. SCREW, PAN HEAD	2	
16	2GH-27442-00-00	BRACKET 2	1	
17	2GH-27443-00-00	BRACKET 3	1	
18	2GH-2741L-00-00	BRACKET 4	1	
19	2GH-27431-00-00	FOOTREST, REAR 1	1	
20	90501-12743-00	SPRING, COMPRESSION	1	
21	93501-04011-00	BALL	1	
22	90387-061G0-00	COLLAR	1	
23	1HX-27437-00-00	WASHER, SPECIAL	2	
24	91311-06045-00	BOLT	1	
25	95601-06100-00	NUT, U	1	
26	2GH-27413-00-00	COVER, FOOTREST	1	
27	90157-05079-00	SCREW, PAN HEAD	2	

CONTINUED ON NEXT FRAME ►

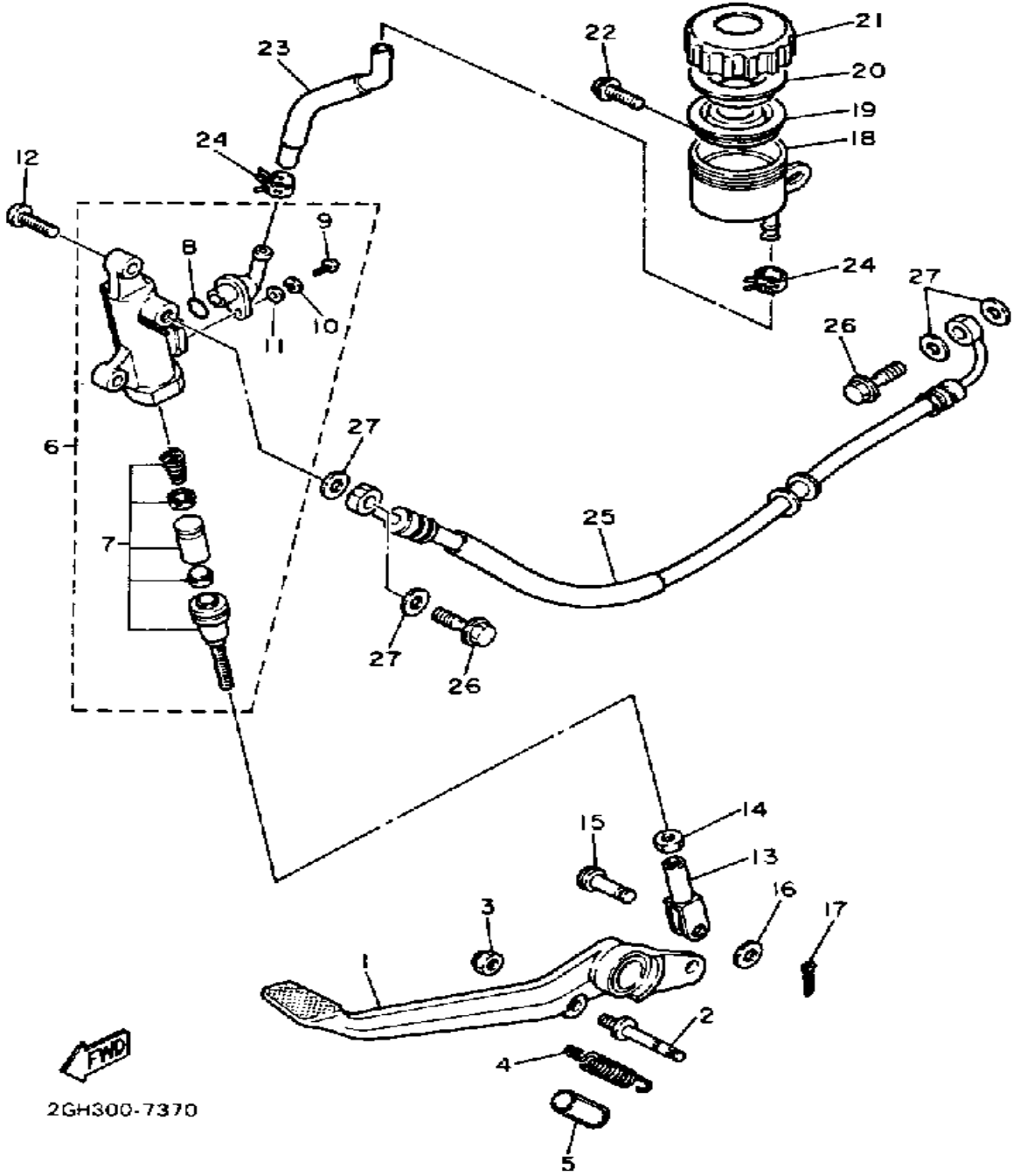
STAND - FOOTREST



2GH00-7360

Ref. No.	Part Number	Description	Qty	Remarks
28	2GH-2742L-00-00	BRACKET 5	1	
29	2GH-27441-00-00	FOOTREST, REAR 2	1	
30	90501-12743-00	SPRING, COMPRESSION	1	
31	93501-04011-00	BALL	1	
32	90387-061G0-00	COLLAR	1	
33	1HX-27437-00-00	WASHER, SPECIAL	2	
34	91311-06045-00	BOLT	1	
35	95601-06100-00	NUT, U	1	
36	2GH-27413-00-00	COVER, FOOTREST	1	
37	90157-05079-00	SCREW, PAN HEAD	2	
38	95023-08025-00	BOLT	4	
39	2H7-27414-00-00	DAMPER, FOOTREST	1	
40	90387-10636-00	COLLAR	1	
41	90105-10316-00	BOLT, WASHER BASED	1	
42	95701-10500-00	NUT, FLANGE (95702-10500)	1	
43	90201-10669-00	WASHER, PLATE	1	
44	90214-10047-00	WASHER, CLAW (2LH)	2	
45	90109-103A9-00	BOLT	2	
46	90206-17084-00	WASHER, WAVE	2	
47	90110-08066-00	BOLT, HEX SKT HEADSOCKET HEAD	4	

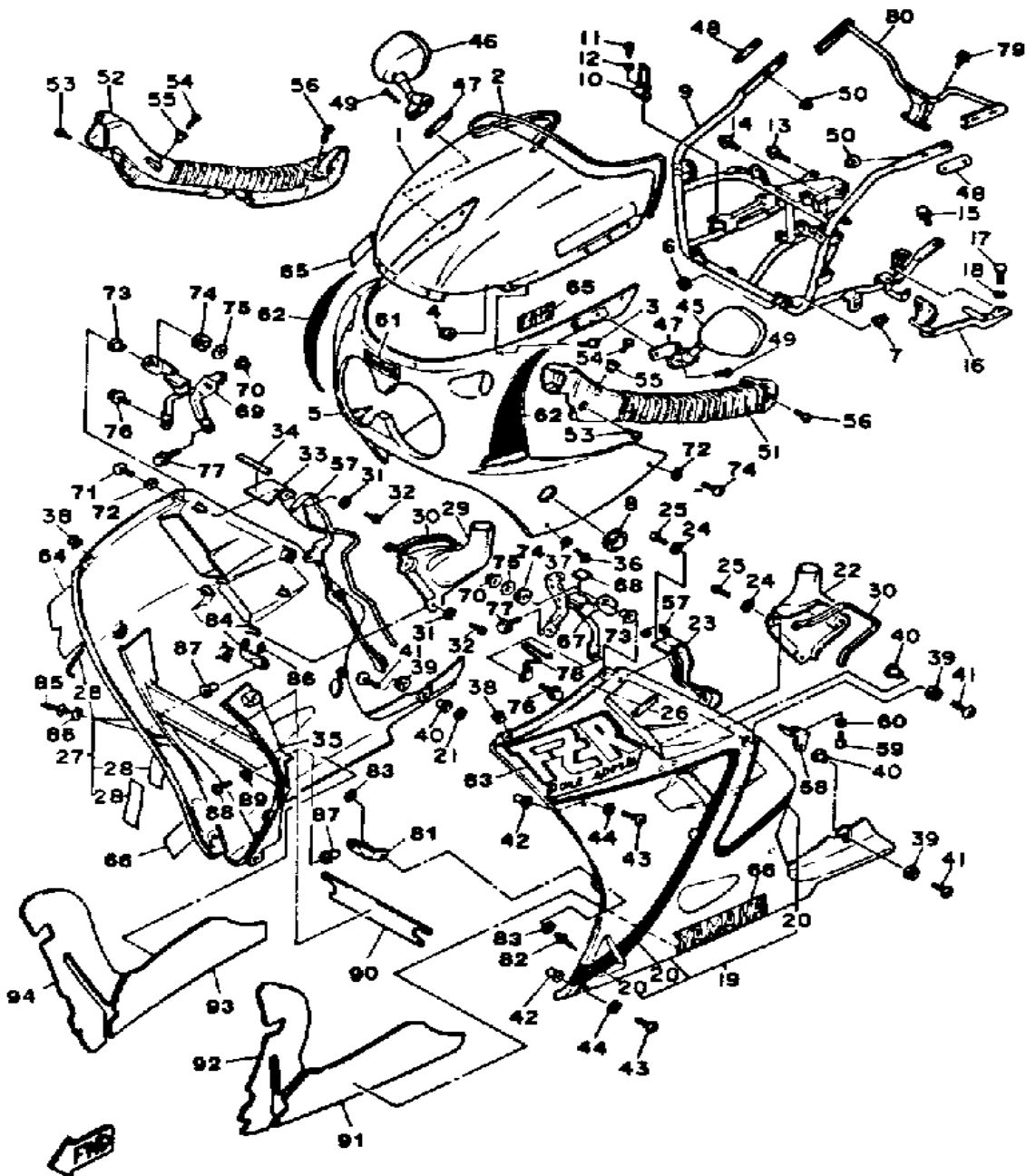
REAR MASTER CYLINDER



Ref. No.	Part Number	Description	Qty	Remarks
1	2GH-27211-00-00	PEDAL, BRAKE	1	
2	1KT-27813-00-00	PIN, PEDAL CRK	1	
3	95611-08100-00	NUT, U	1	
4	90508-20737-00	SPRING, TORSION	1	
5	90446-17267-00	HOSE	1	
6	2GH-25850-50-00	MSTR CYLINDER ASSEMBLY	1	
7	2GH-W0042-50-00	. CYLINDER KIT, MASTERMASTER	1	
8	93210-15620-00	. O-RING	1	
9	98506-04012-00	. SCREW, PAN HEAD	1	
10	92906-04100-00	. WASHER, SPRING	1	
11	92906-04600-00	. WASHER, PLATE	1	
12	92016-08030-00	SCREW	2	
13	31A-27222-00-00	JOINT	1	
14	95303-08700-00	NUT	1	
15	90240-08013-00	PIN, CLEVIS	1	
16	90201-08083-00	WASHER, PLATE	1	
17	91490-20020-00	PIN, COTTER	1	
18	31A-25894-01-00	TANK, RESERVOIR	1	
19	360-25854-00-00	DIAPHRAGM, RESERVOIR	1	
20	2GU-25855-00-00	BUSH, DIAPHRAGM	1	
21	2KF-25852-50-00	CAP, RESERVOIR	1	
22	90159-06085-00	SCREW, WITH WASHER	1	
23	(2GH-25895-00-00)	HOSE, RESERVOIR	1	
24	90467-14057-00	CLIP	2	
25	2GH-25872-50-00	HOSE, BRAKE 1	1	
26	90401-10096-00	BOLT, UNION	2	
27	90201-10118-00	WASHER, PLATE	4	

2GH300-7370

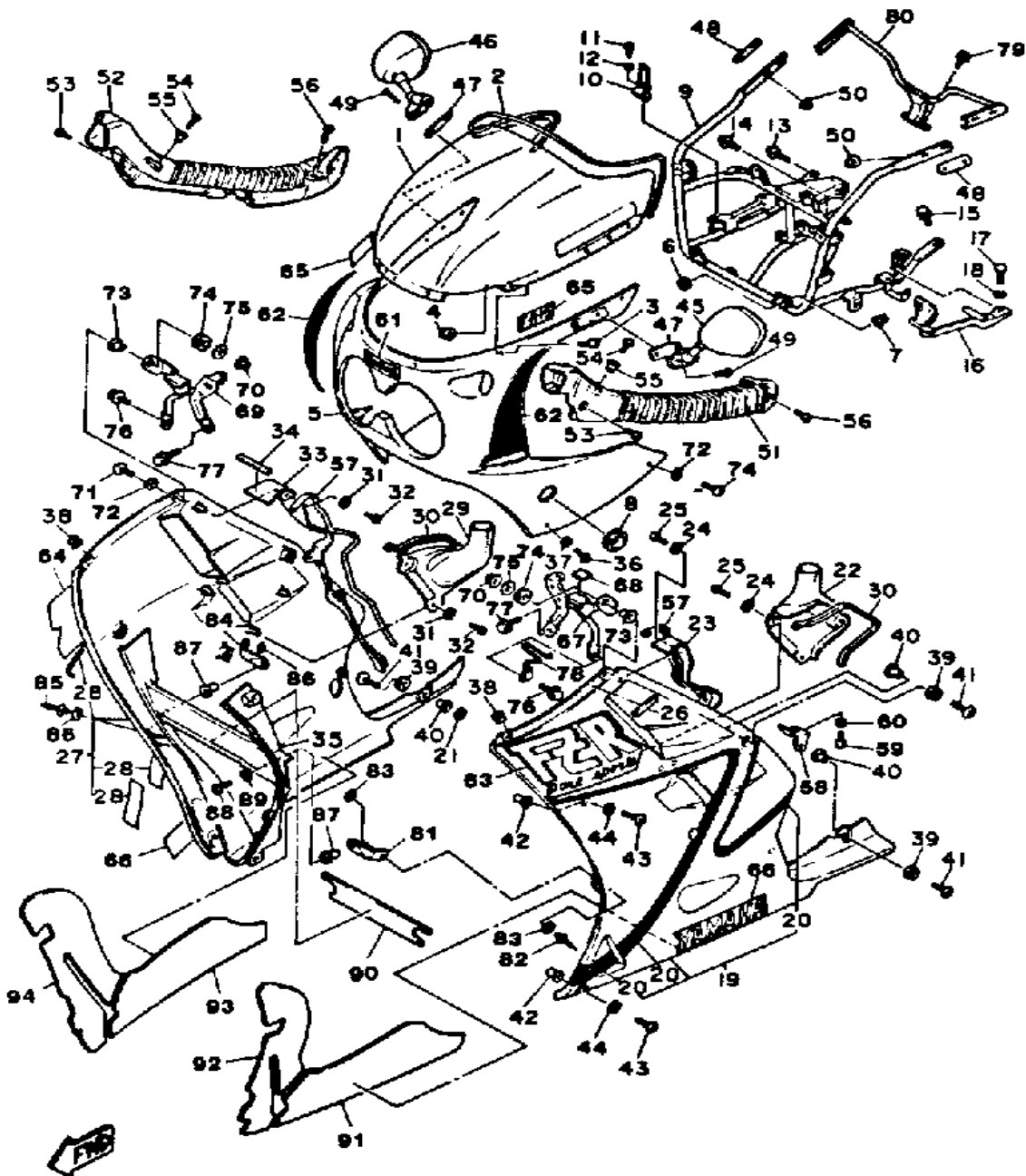
FAIRING - COWLING (NON CALIFORNIA M



Ref. No.	Part Number	Description	Qty	Remarks
1	2LJ-28381-00-00	WINDSHIELD	1	
2	36Y-28348-00-00	MOLE 4	1	
3	90150-05020-00	SCREW, ROUND HEAD	6	
4	95706-05500-00	NUT, FLANGE	6	
5	2GH-2835G-00-GE	BODY, FRONT UPPER 1	1	SILKY WHITE
6	90480-14229-00	GROMMET	4	
7	90179-06500-00	NUT	4	
8	90480-35526-00	GROMMET	2	
9	2GH-28356-00-00	STAY 1	1	
10	2GH-2834V-00-00	PROTECTOR 1	1	
11	98516-06012-00	SCREW, PAN HEAD	1	
12	92906-06600-00	WASHER	1	
13	95026-08040-00	BOLT, FLANGE	1	
14	90201-08649-00	. WASHER, PLATE	1	
	97011-08025-00	. BOLT	1	
	99999-01790-00	BOLT, FLANGE (95026-08025-00)	1	
15	95816-06012-00	BOLT, FLANGE	2	
16	2GH-21238-00-00	BRACKET	1	
17	97026-06012-00	BOLT	2	
18	92906-06100-00	WASHER, SPRING	2	
19	2GH-W283E-00-0X	BODY FRONT LOWER 1	1	SILKY WHITE/FINE RED
20	2GH-2836V-00-00	. GRAPHICSET3 COWLINCOWLING	1	FOR SW/FRD
21	90201-062J7-00	WASHER, PLATE	1	
22	2GH-2838T-00-00	DUCT 3	1	
23	2GH-28396-00-00	PLATE 1	1	
24	92906-05200-00	WASHER, PLAIN	6	
25	97706-50614-00	SCREW, TAPPING	6	

CONTINUED ON NEXT FRAME ►

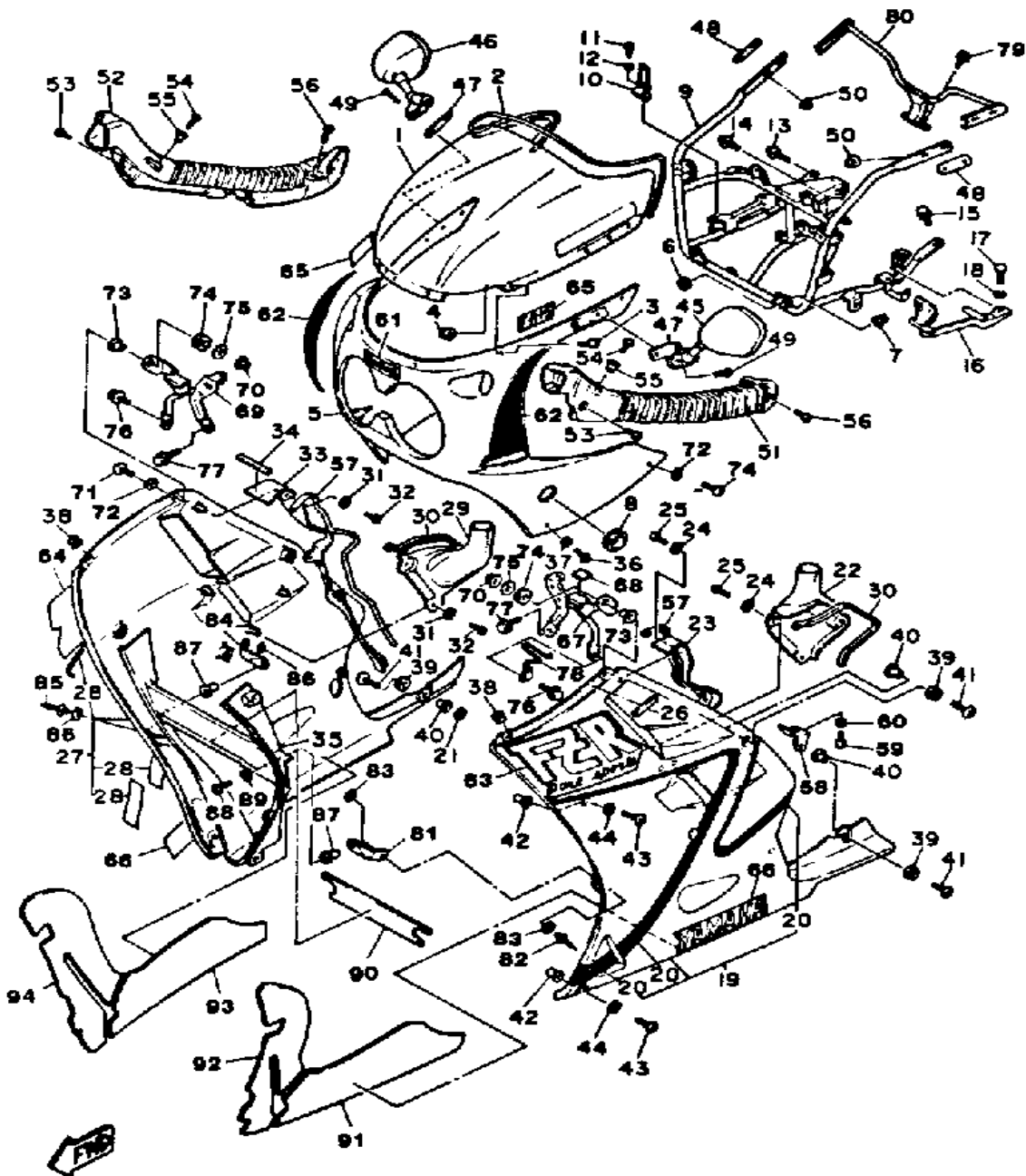
FAIRING - COWLING (NON CALIFORNIA M



Ref. No.	Part Number	Description	Qty	Remarks
26	1JK-21652-00-00	PROTECTOR	1	
27	2GH-W283F-00-0X	BODY FRONT LOWER 2	1	SILKY WHITE/FINE RED
28	2GH-2836W-00-00	. GRAPHIC SET 4, COWLING	1	FOR SW/FRD
29	2GH-2838U-00-00	DUCT 4	1	
30	2GH-28347-00-00	MOLE 3	2	
31	92906-05200-00	WASHER, PLAIN	6	
32	97706-50614-00	SCREW, TAPPING	6	
33	2GH-28397-00-00	PLATE 2	1	
34	2GH-28345-00-00	MOLD 1	1	
35	2GH-2836K-00-GE	PANEL, INNER 1	1	SILKY WHITE
36	90110-05079-00	BOLT, hexagon socket head	2	
37	90202-05180-00	WASHER, PLATE	2	
38	90183-05024-00	NUT, SPRING	2	
39	90480-13398-00	GROMMET	6	
40	90387-067N5-00	COLLAR	6	
41	90110-06083-00	BOLT, HEX SKT HEAD HEXAGON SOCKET HEAD	6	
42	90179-05271-00	NUT	4	
43	90149-05244-00	SCREW (2GH)	4	
44	90202-05180-00	WASHER, PLATE	4	
45	2GH-26280-00-00	MIRROR ASSEMBLY ASSY (LEFT)	1	
46	2GH-26290-00-00	MIRROR ASSEMBLY ASSY (RIGHT)	1	
47	1AE-26298-00-00	PLATE, MIRROR FITTING 1	2	
48	3CV-26299-00-00	PLATE, MIRROR FITNG	2	
49	98706-06030-00	SCREW, FLAT HEAD	4	
50	90176-06055-00	NUT, CROWN	4	

CONTINUED ON NEXT FRAME ►

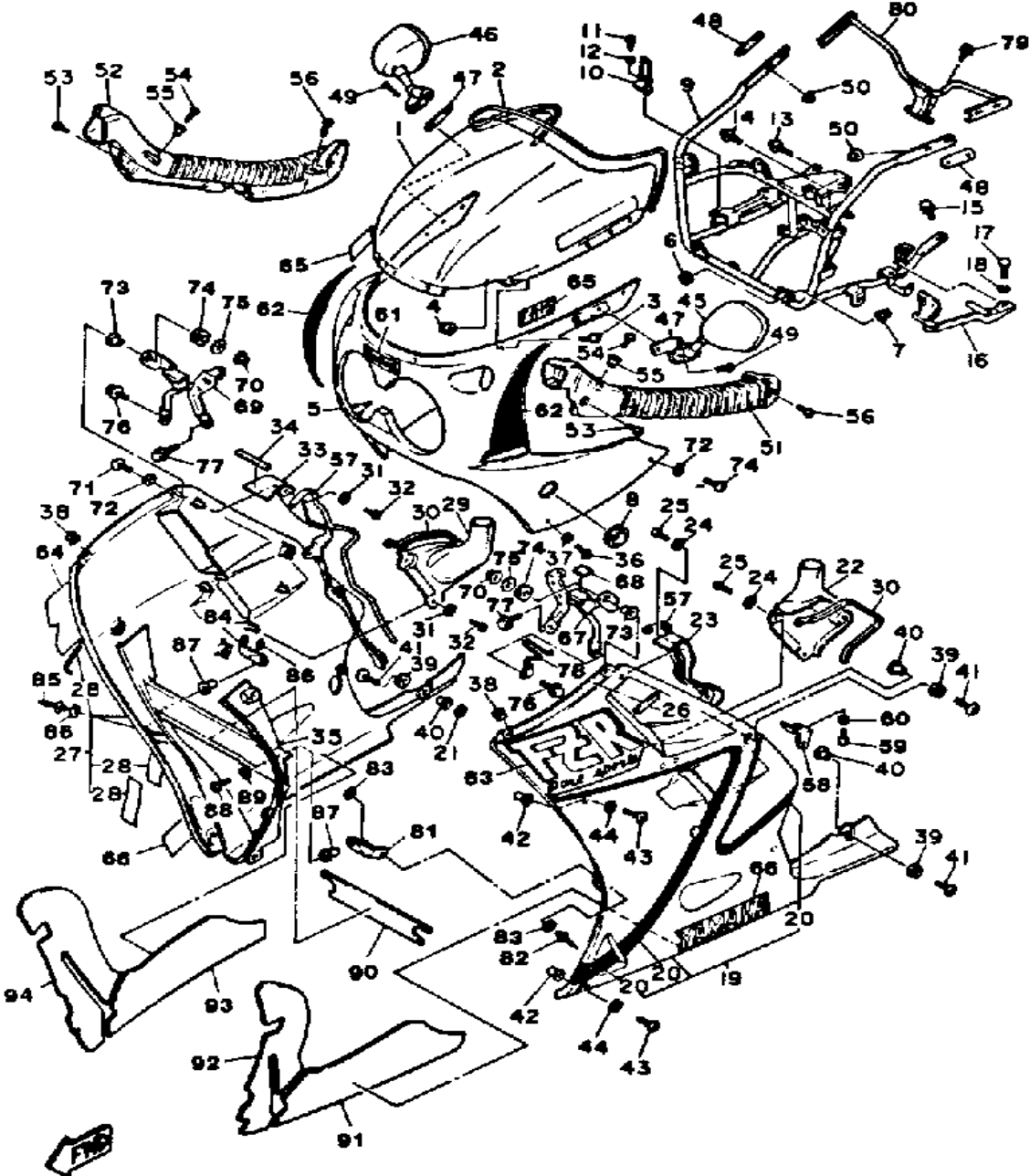
FAIRING - COWLING (NON CALIFORNIA M



Ref. No.	Part Number	Description	Qty	Remarks
51	2GH-2838N-00-00	DUCT 1	1	
52	2GH-2838R-00-00	DUCT 2	1	
53	90154-06046-00	SCREW, BINDING	2	
54	90149-06184-00	SCREW	2	
55	90387-060A7-00	COLLAR	2	
56	90154-06043-00	SCREW, BINDING	4	
57	2GH-28346-00-00	MOLD 2	2	
58	2GH-2836F-00-00	BRACKET 2	1	
59	97011-06010-00	BOLT	1	
60	92995-06100-00	WASHER, SPRING	1	
61	99234-00020-00	EMBLEM, YAMAHA	1	FOR SW/ABL
62	2GH-28390-00-00	GRPHC SET, COWLING	1	FOR SW/FRD
63	2GH-28328-00-00	EMBLEM	1	FOR SW/FRD
64	2GH-28368-00-00	EMBLEM	1	FOR SW/FRD
65	2KR-28368-00-00	EMBLEM	2	
66	99234-00070-00	EMBLEM, YAMAHA	2	
67	2GH-28321-01-00	STAY, LEG SHIELD L	1	
68	2H7-21628-00-00	DAMPER 1 (4U5-2317J-00)	1	
69	2GH-28322-00-00	STAY, LEG SHIELD R	1	
70	95706-06500-00	NUT, FLANGE	2	
71	90149-06218-00	SCREW (1FN)	2	
72	90202-07015-00	WASHER, PLATE	2	
73	90387-071E0-00	COLLAR	2	
74	90480-14323-00	GROMMET	2	
75	90201-06059-00	WASHER, PLATE	2	
76	95816-06016-00	BOLT, FLANGE	2	
77	95026-06012-00	BOLT, FLANGE	2	
78	2GH-21362-00-00	HOLDER, HI-TENS.CRDHIGH TENSION CORD	1	

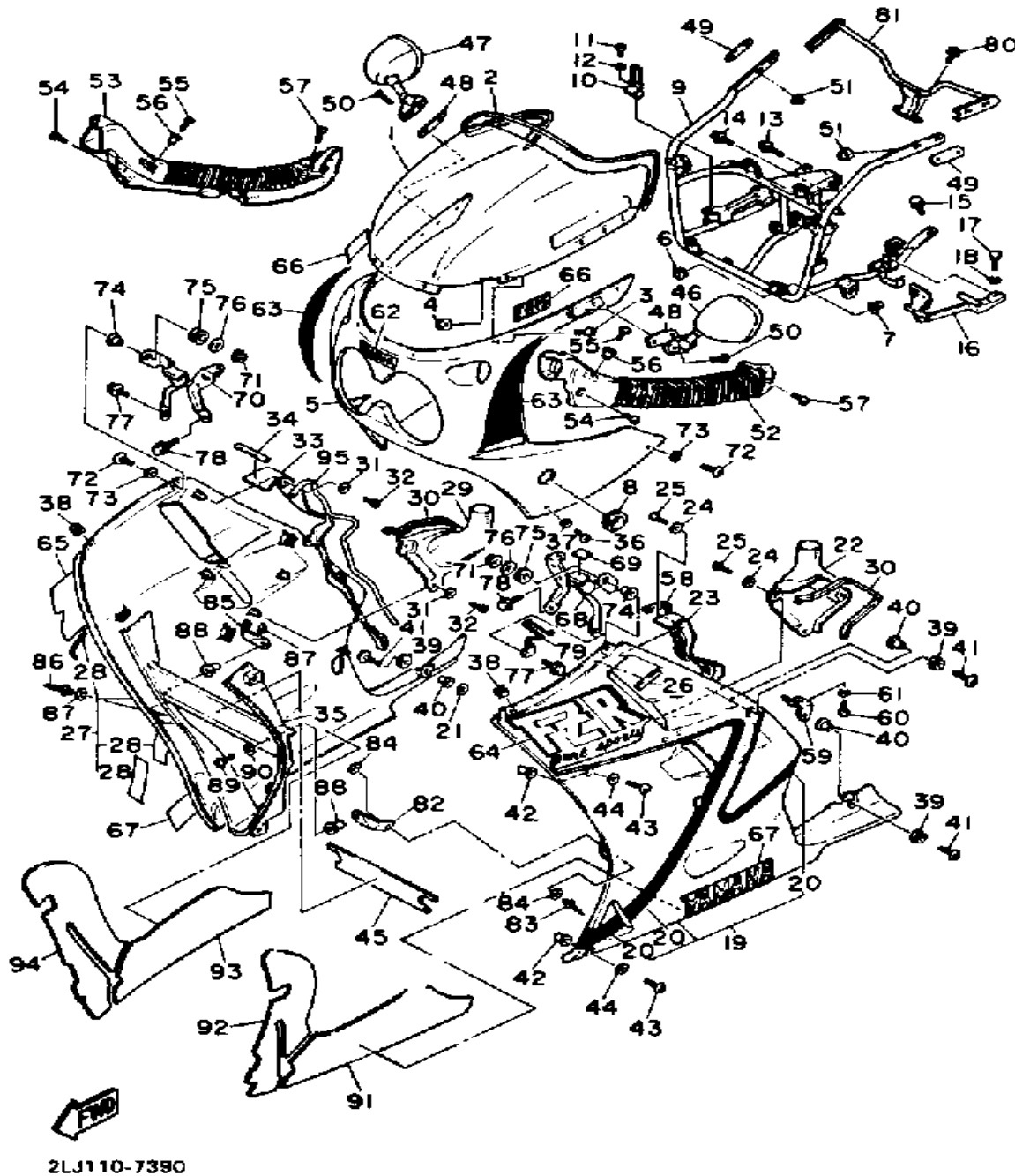
CONTINUED ON NEXT FRAME ►

FAIRING - COWLING (NON CALIFORNIA M



Ref. No.	Part Number	Description	Qty	Remarks
79	95026-06012-00	BOLT, FLANGE	2	
80	2GH-2831W-00-00	STAY, MIRROR 1	1	
81	2GH-2833F-00-00	BRACKET 9	1	
82	90267-40029-00	RIVET, BLIND	1	
83	90201-047A2-00	WASHER, PLATE	2	
84	2GH-2833G-00-00	BRACKET 0	1	
85	90267-40029-00	RIVET, BLIND	1	
86	90201-047A2-00	WASHER, PLATE	2	
87	90179-05523-00	NUT	2	
88	90149-05224-00	SCREW, SPEC'L SHAPE	2	
89	90202-05180-00	WASHER, PLATE	2	
90	2LJ-2848H-00-00	SEAT	1	
91	2LJ-2848K-00-00	SEAT 2	1	
92	2LJ-2848M-00-00	SEAT 4	1	
93	2LJ-2848L-00-00	SEAT 3	1	
94	2LJ-2848N-00-00	SEAT 5	1	

FAIRING - COWLING (CALIFORNIA MODEL)

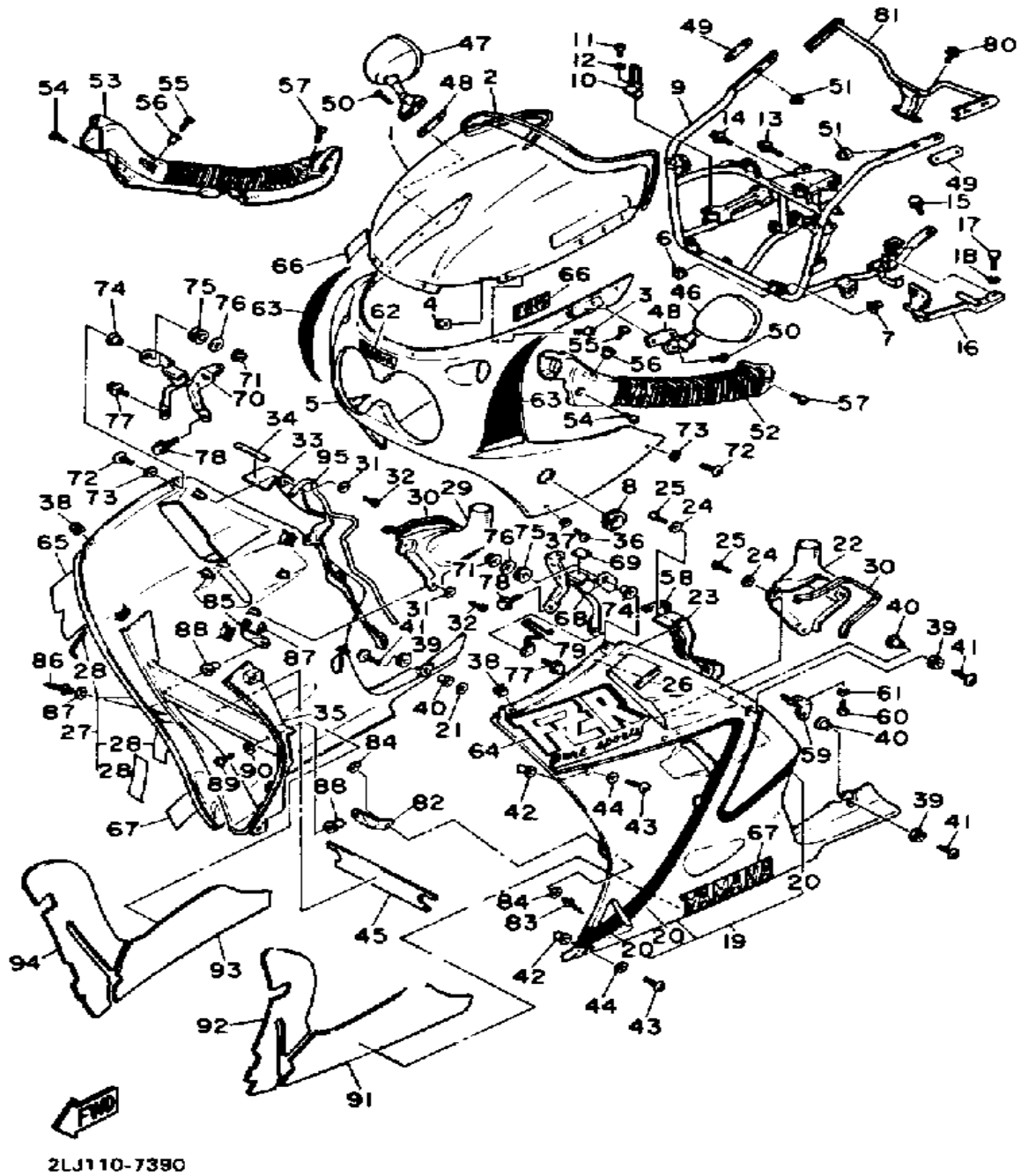


2LJ110-7390

Ref. No.	Part Number	Description	Qty	Remarks
1	2LJ-28381-00-00	WINDSHIELD	1	
2	36Y-28348-00-00	MOLE 4	1	
3	90150-05020-00	SCREW, ROUND HEAD	6	
4	95706-05500-00	NUT, FLANGE	6	
5	2GH-2835G-00-GE	BODY, FRONT UPPER 1	1	SILKY WHITE
6	90480-14229-00	GROMMET	4	
7	90179-06500-00	NUT	4	
8	90480-35526-00	GROMMET	2	
9	2GH-28356-00-00	STAY 1	1	
10	2GH-2834V-00-00	PROTECTOR 1	1	
11	98516-06012-00	SCREW, PAN HEAD	1	
12	92906-06600-00	WASHER	1	
13	95026-08040-00	BOLT, FLANGE	1	
14	90201-08649-00	. WASHER, PLATE	1	
	97011-08025-00	. BOLT	1	
	99999-01790-00	BOLT, FLANGE (95026-08025-00)	1	
15	95816-06012-00	BOLT, FLANGE	2	
16	2GH-21238-00-00	BRACKET	1	
17	97026-06012-00	BOLT	2	
18	92906-06100-00	WASHER, SPRING	2	
19	2GH-W283E-00-0X	BODY FRONT LOWER 1	1	SILKY WHITE/FINE RED
20	2GH-2836V-00-00	. GRAPHICSET3 COWLINCOWLING	1	FOR SW/FRD
21	90201-062J7-00	WASHER, PLATE	1	
22	2GH-2838T-00-00	DUCT 3	1	
23	2GH-28396-00-00	PLATE 1	1	
24	92906-05200-00	WASHER, PLAIN	6	
25	97706-50614-00	SCREW, TAPPING	6	

CONTINUED ON NEXT FRAME ►

FAIRING - COWLING (CALIFORNIA MODEL)

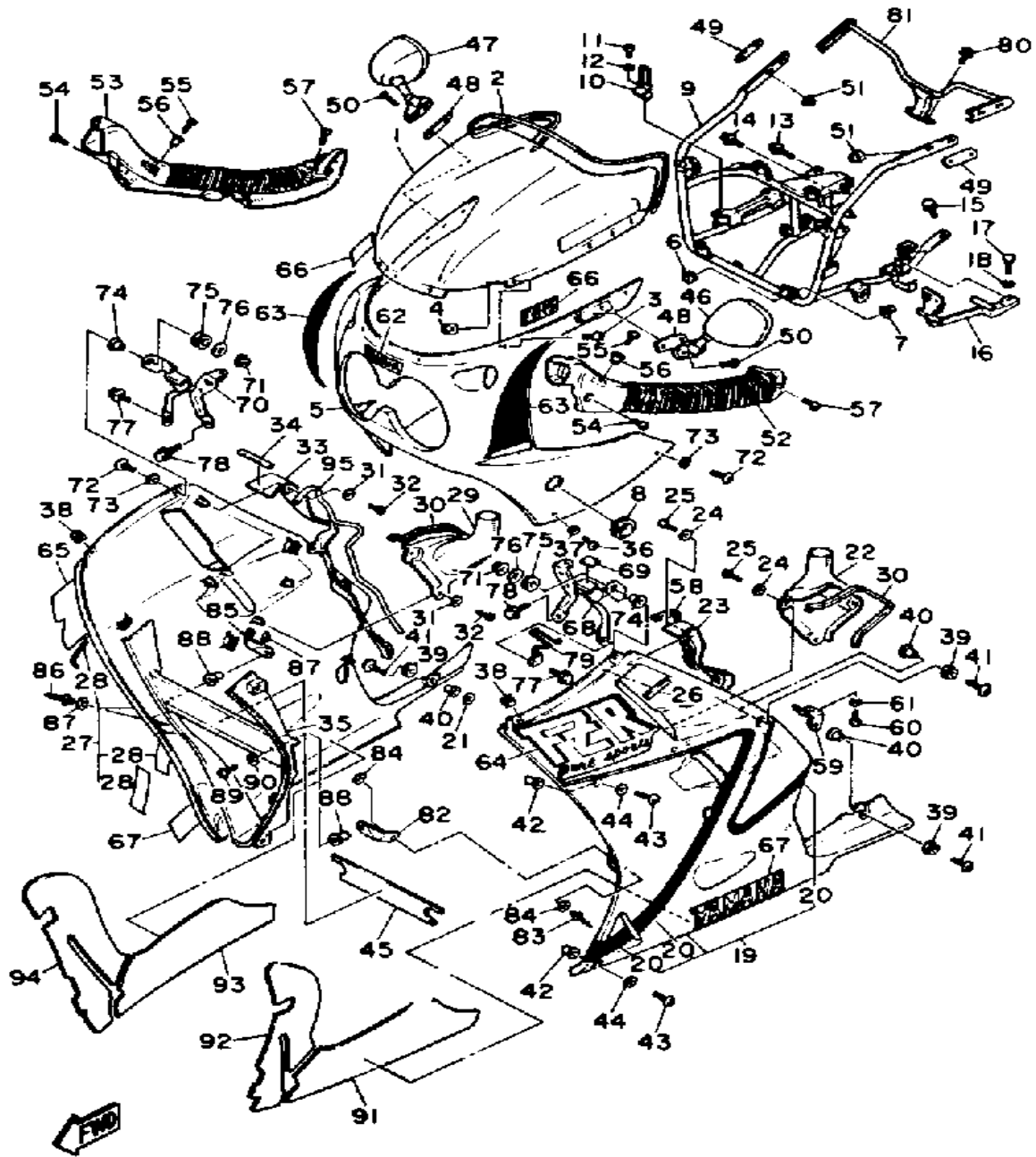


2LJ110-7390

Ref. No.	Part Number	Description	Qty	Remarks
26	1JK-21652-00-00	PROTECTOR	1	
27	2GH-W283F-00-0X	BODY FRONT LOWER 2	1	SILKY WHITE/FINE RED
28	2GH-2836W-00-00	. GRAPHIC SET 4, COWLING .	1	FOR SW/FRD
29	2GH-2838U-00-00	DUCT 4	1	
30	2GH-28347-00-00	MOLE 3	2	
31	92906-05200-00	WASHER, PLAIN	6	
32	97706-50614-00	SCREW, TAPPING	6	
33	2LJ-28397-00-00	PLATE 2	1	
34	2GH-28345-00-00	MOLD 1	1	
35	2GH-2836K-00-GE	PANEL, INNER 1	1	SILKY WHITE
36	90110-05079-00	BOLT, hexagon socket head ..	2	
37	90202-05180-00	WASHER, PLATE	2	
38	90183-05024-00	NUT, SPRING	2	
39	90480-13398-00	GROMMET	6	
40	90387-067N5-00	COLLAR	6	
41	90110-06083-00	BOLT, HEX SKT HEADHEXAGON SOCKET HEAD	6	
42	90179-05271-00	NUT	4	
43	90149-05244-00	SCREW (2GH)	4	
44	90202-05180-00	WASHER, PLATE	4	
45	2LJ-2848H-00-00	SEAT	1	
46	2GH-26280-00-00	MIRROR ASSEMBLYASSY (LEFT)	1	
47	2GH-26290-00-00	MIRROR ASSEMBLYASSY (RIGHT)	1	
48	1AE-26298-00-00	PLATE, MIRROR FITTING 1 ...	2	
49	3CV-26299-00-00	PLATE, MIRROR FITNG	2	
50	98706-06030-00	SCREW, FLAT HEAD	4	

CONTINUED ON NEXT FRAME ➤

FAIRING - COWLING (CALIFORNIA MODEL)

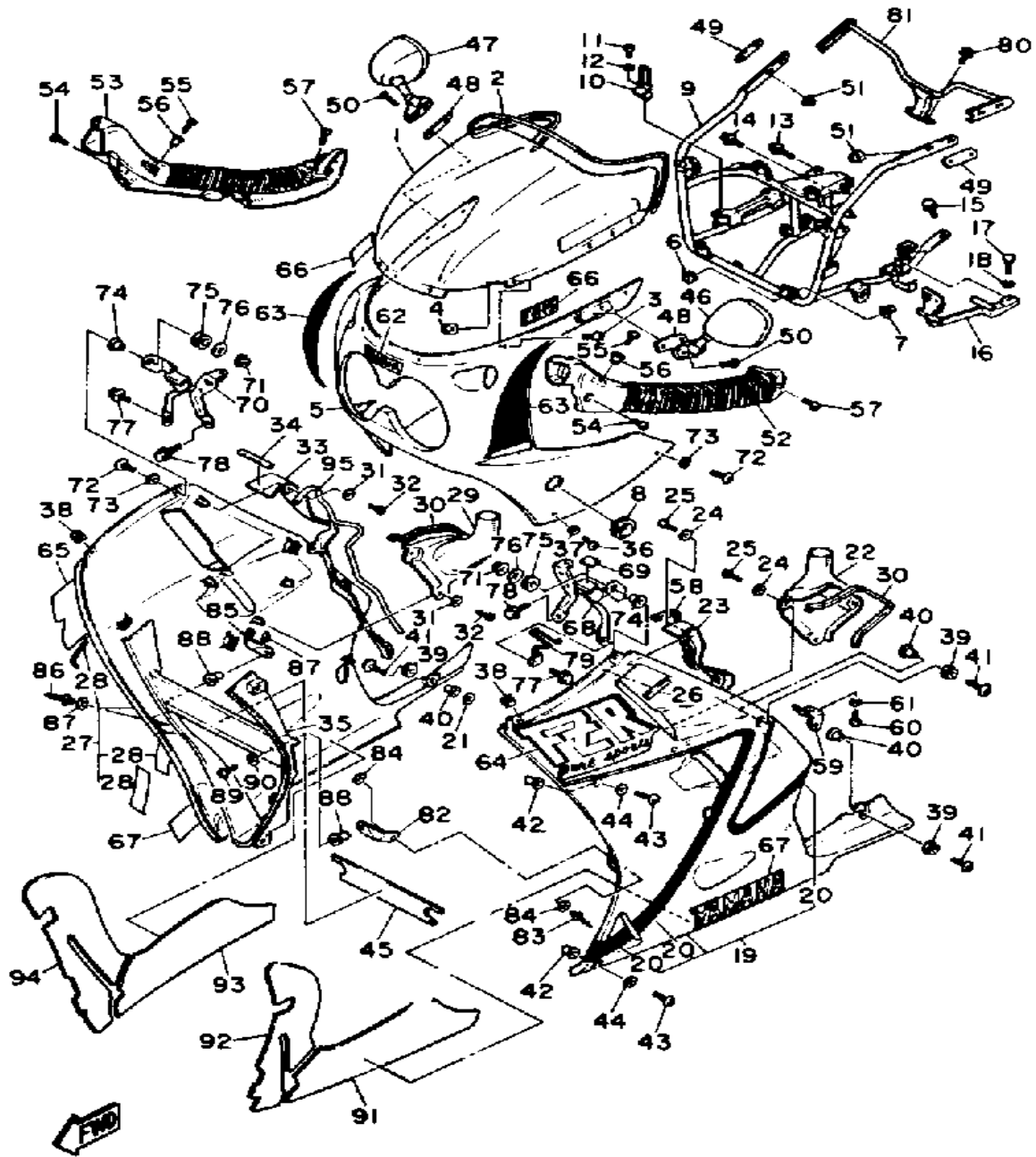


2LJ110-7390

Ref. No.	Part Number	Description	Qty	Remarks
51	90176-06055-00	NUT, CROWN	4	
52	2GH-2838N-00-00	DUCT 1	1	
53	2GH-2838R-00-00	DUCT 2	1	
54	90154-06046-00	SCREW, BINDING	2	
55	90149-06184-00	SCREW	2	
56	90387-060A7-00	COLLAR	2	
57	90154-06043-00	SCREW, BINDING	4	
58	2GH-28346-00-00	MOLD 2	1	
59	2GH-2836F-00-00	BRACKET 2	1	
60	97011-06010-00	BOLT	1	
61	92995-06100-00	WASHER, SPRING	1	
62	99234-00020-00	EMBLEM, YAMAHA	1	FOR SW/ABL
63	2GH-28390-00-00	GRPHC SET, COWLING	1	FOR SW/FRD
64	2GH-28328-00-00	EMBLEM	1	FOR SW/FRD
65	2GH-28368-00-00	EMBLEM	1	FOR SW/FRD
66	2KR-28368-00-00	EMBLEM	2	
67	99234-00070-00	EMBLEM, YAMAHA	2	
68	2GH-28321-01-00	STAY, LEG SHIELD L	1	
69	2H7-21628-00-00	DAMPER 1 (4U5-2317J-00)	1	
70	2GH-28322-00-00	STAY, LEG SHIELD R	1	
71	95706-06500-00	NUT, FLANGE	2	
72	90149-06218-00	SCREW (1FN)	2	
73	90202-07015-00	WASHER, PLATE	2	
74	90387-071E0-00	COLLAR	2	
75	90480-14323-00	GROMMET	2	
76	90201-06059-00	WASHER, PLATE	2	
77	95816-06016-00	BOLT, FLANGE	2	
78	95026-06012-00	BOLT, FLANGE	2	
79	2GH-21362-00-00	HOLDER, HI-TENS.CRDHIGH TENSION CORD	1	

CONTINUED ON NEXT FRAME ➤

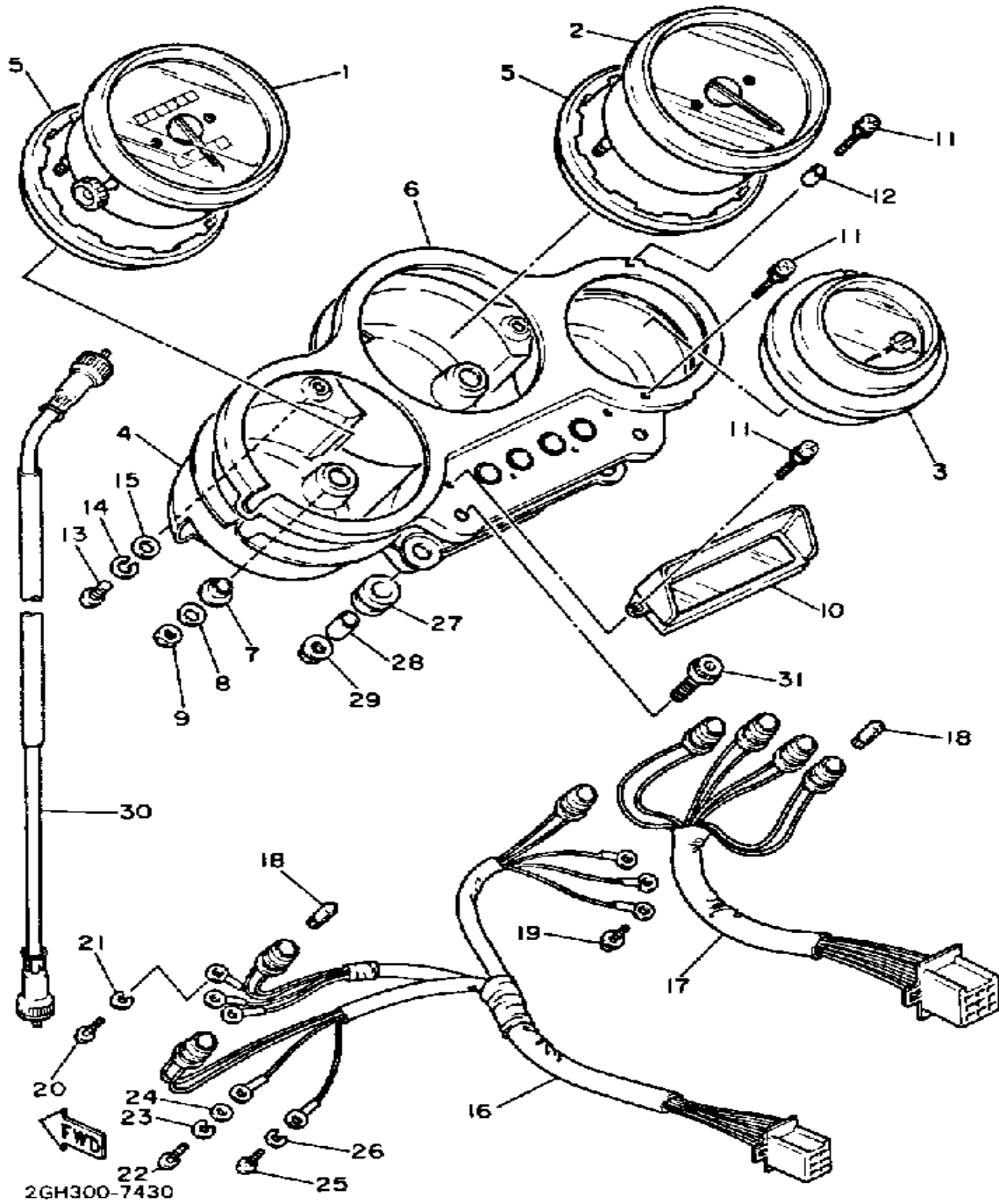
FAIRING - COWLING (CALIFORNIA MODEL)



2LJ110-7390

Ref. No.	Part Number	Description	Qty	Remarks
80	95026-06012-00	BOLT, FLANGE	2	
81	2GH-2831W-00-00	STAY, MIRROR 1	1	
82	2GH-2833F-00-00	BRACKET 9	1	
83	90267-40029-00	RIVET, BLIND	1	
84	90201-047A2-00	WASHER, PLATE	2	
85	2GH-2833G-00-00	BRACKET 0	1	
86	90267-40029-00	RIVET, BLIND	1	
87	90201-047A2-00	WASHER, PLATE	2	
88	90179-05523-00	NUT	2	
89	90149-05224-00	SCREW, SPEC'L SHAPE	2	
90	90202-05180-00	WASHER, PLATE	2	
91	2LJ-2848K-00-00	SEAT 2	1	
92	2LJ-2848M-00-00	SEAT 4	1	
93	2LJ-2848L-00-00	SEAT 3	1	
94	2LJ-2848N-00-00	SEAT 5	1	
95	2GH-28347-00-00	MOLE 3	2	

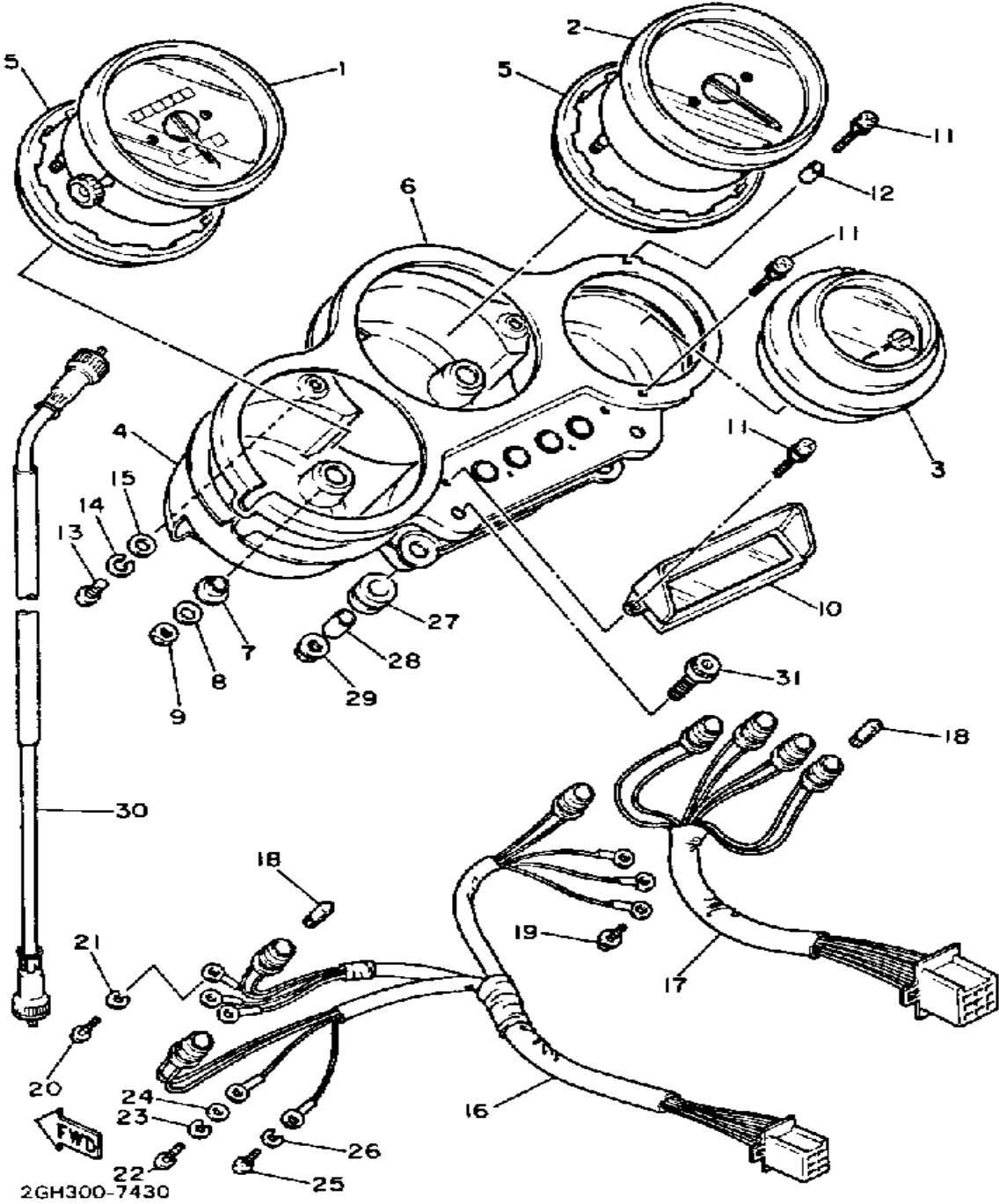
METER



Ref. No.	Part Number	Description	Qty	Remarks
1	2RG-83570-G0-00	SPEEDOMETER ASSEMBLY (2LJ-83570-A1)	1	
2	2GH-83540-00-00	TACHOMETER ASSEMBLY	1	
3	2GH-83590-00-00	WATER TEMP METERASSEMBLY	1	
4	2GH-83579-00-00	COVER, METER 2	1	
5	1AE-83513-00-00	DAMPER	2	
6	2GH-83611-00-00	PANEL, METER	1	
7	584-83523-00-00	DAMPER	4	
8	90201-05E2-00	WASHER, PLATE	4	
9	95306-05600-00	NUT	4	
10	2GH-83612-00-00	COVER, METER PANEL	1	
11	2GH-83546-00-00	BOLT	4	
12	1AR-83522-00-00	COLLAR	1	
13	98506-04008-00	SCREW, PAN HEAD	3	
14	92906-04100-00	WASHER, SPRING	3	
15	92906-04600-00	WASHER, PLATE	3	
16	2GH-83509-01-00	SOCKET CORD ASSEMBLY	1	
17	1AR-83520-00-00	SOCKET CORD ASSEMBLY	1	
18	4G1-84744-00-00	BULB, MTR.12V3.4W	7	
19	90159-03102-00	SCREW, WITH WASHER	3	
20	98580-03010-00	SCREW, PAN HEAD (98502-03010)	3	
21	92990-03100-00	WASHER, SPRING (92901-03100)	3	
22	98580-04010-00	SCREW, PAN HEAD	2	
23	92901-04100-00	WASHER, SPRING	2	
24	92901-04100-00	WASHER, SPRING	2	
25	92901-04600-00	WASHER, PLATE	2	
26	98580-03010-00	SCREW, PAN HEAD (98502-03010)	1	

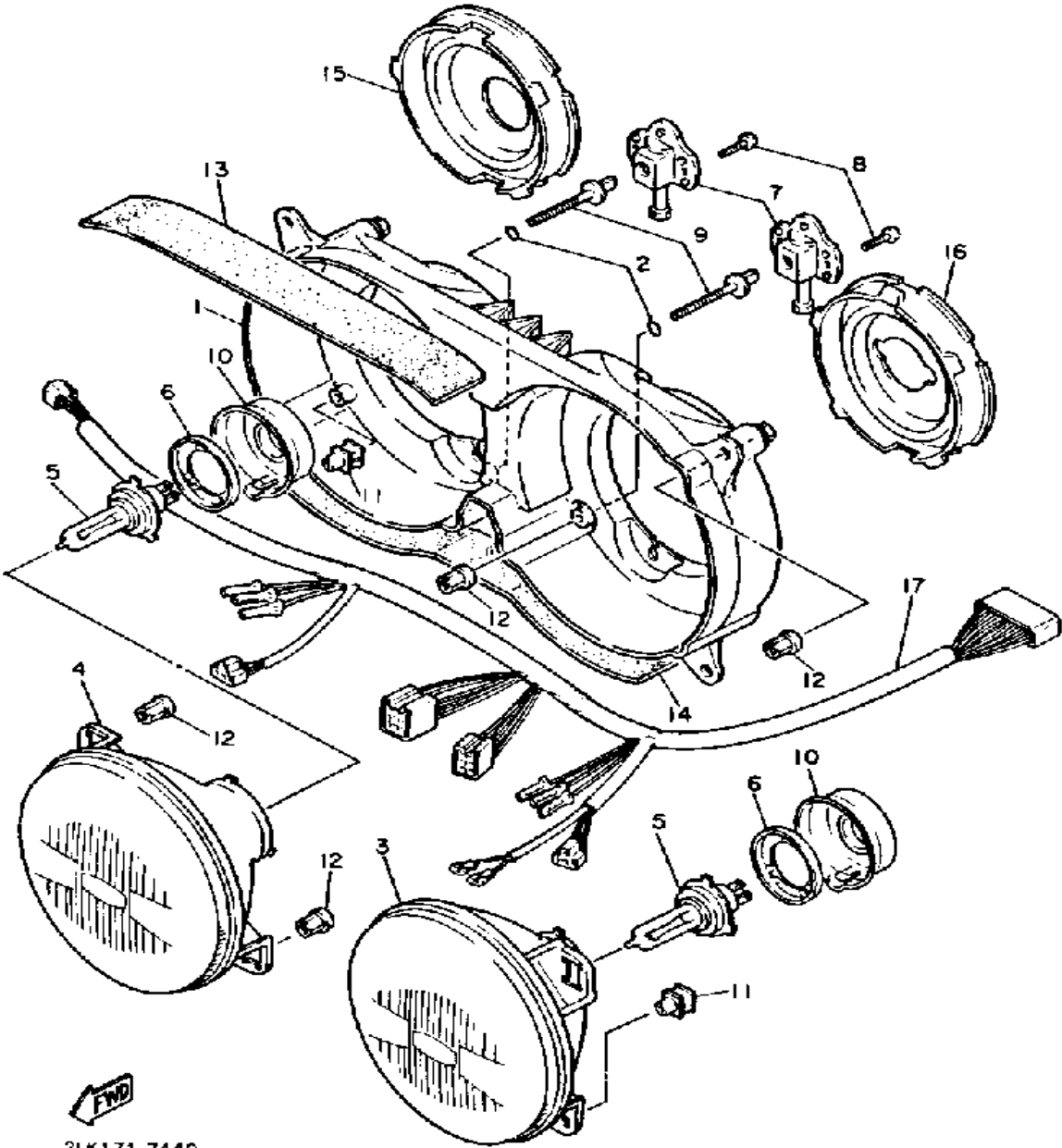
CONTINUED ON NEXT FRAME ►

METER



Ref. No.	Part Number	Description	Qty	Remarks
26	92990-03100-00	WASHER, SPRING (92901-03100)	1	
27	90480-14182-00	GROMMET	2	
28	90387-066H4-00	COLLAR	2	
29	95316-06600-00	NUT	2	
30	2GH-83550-00-00	SPEEDOMETER CABLECABLE ASSEMBLY	1	
31	90109-064E7-00	BOLT (2GH)	2	

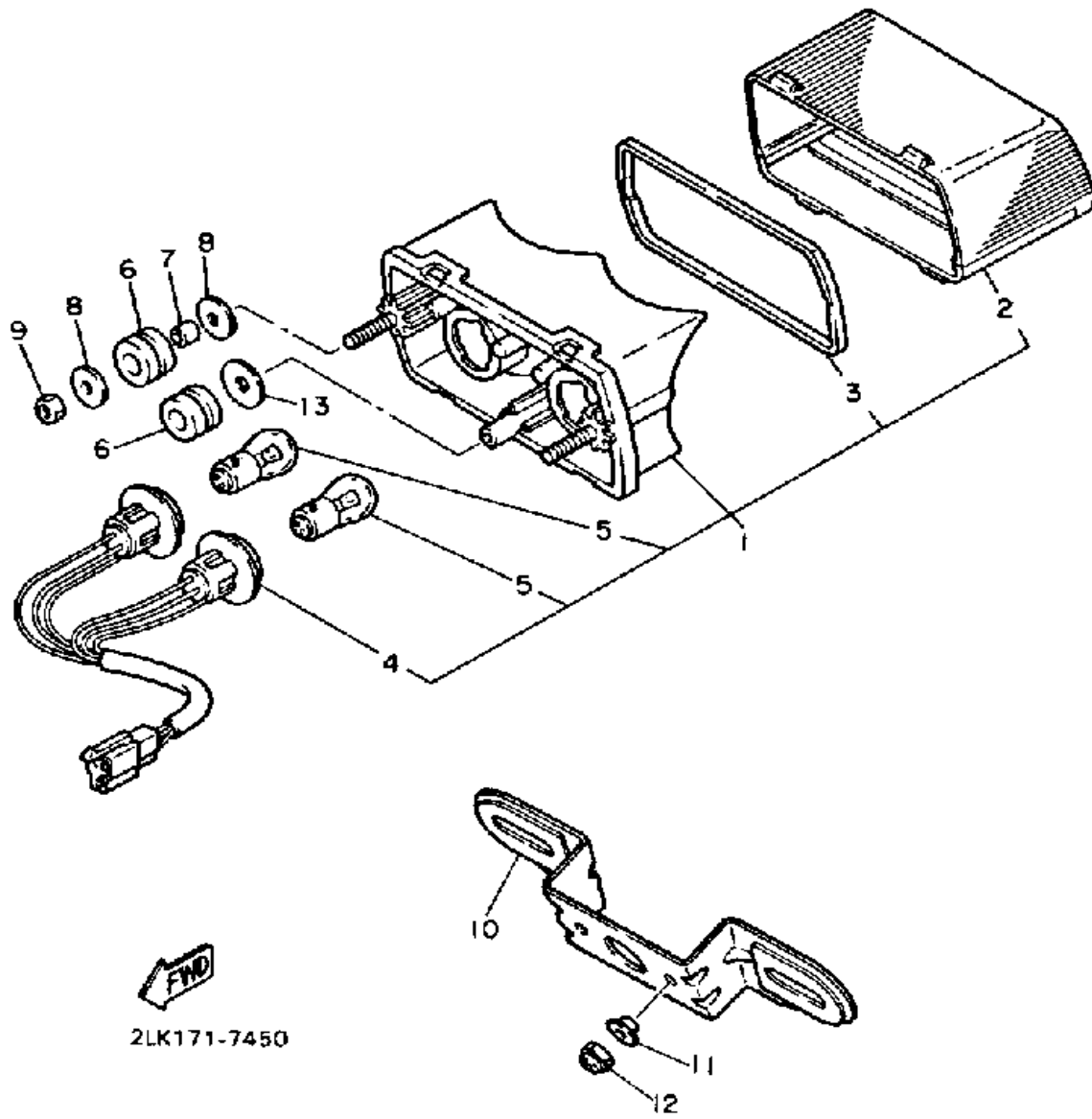
HEADLIGHT



Ref. No.	Part Number	Description	Qty	Remarks
1	2LJ-84330-A0-00	BODY ASSEMBLY	1	
2	93210-06632-00	O-RING	2	
3	2AX-84320-A0-00	LENS ASSEMBLY	1	
4	2AX-8432A-A0-00	LENS ASSEMBLY	1	
5	1ML-84314-00-XX (1FM-84314-H0-00)	BULB (12V-35/35W) (1FM-84314-H0-00)	2	LM HALOGEN
6	2F9-84375-00-00	SETTING PLATE, BULB	2	
7	3MA-8430M-00-00	GEAR UNIT ASSEMBLY	2	
8	97706-40616-00	SCREW, TAPPING	4	
9	2AX-84331-00-00	SCREW, RIM ADJUSTING	2	
10	2F9-84397-01-00	COVER, SOCKET	2	
11	51L-8431U-00-00	HOLDER	2	
12	51L-84334-00-00	NUT, ADJUSTING	4	
13	2GH-84396-00-00	COVER	1	
14	2GH-84396-10-00	COVER	1	
15	2LA-84397-00-00	COVER, SOCKET	1	
16	2LA-84397-10-00	COVER, SOCKET	1	
17	2LJ-84359-00-00	CORD, HEADLIGHT	1	

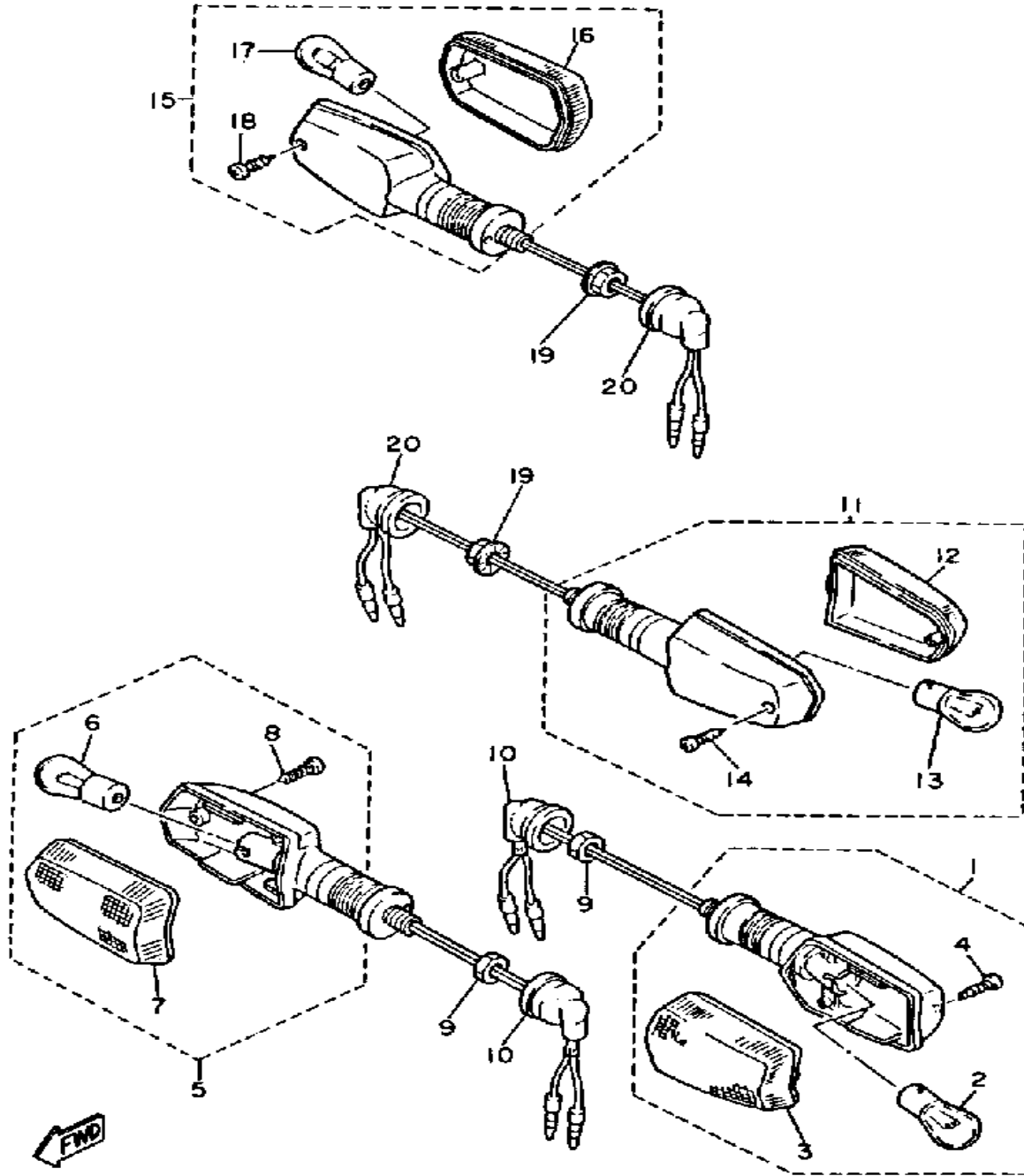
2LK171-7440

TAILLIGHT



Ref. No.	Part Number	Description	Qty	Remarks
1	52X-84710-60-00	TAILLIGHT UNIT ASSEMBLY ..	1	
2	47X-84721-00-00	. LENS, TAILLIGHT	1	
3	47X-84723-00-00	. GASKET, TAIL LENS	1	
4	47X-84735-00-00	. CORD ASSEMBLY	1	
5	256-84714-61-00	. BULB (12V-27/8W)	2	
6	90480-18407-00	GROMMET	3	
7	90387-060N3-00	COLLAR	2	
8	90201-063J2-00	WASHER, PLATE	4	
9	95380-06600-00	NUT	2	
10	2LJ-84751-00-98	BRACKET, LICENSE	1	LOW GLOSS BLACK
11	90387-061M0-00	COLLAR	2	
12	95616-06100-00	NUT, U	2	
13	92906-10200-00	WASHER	1	

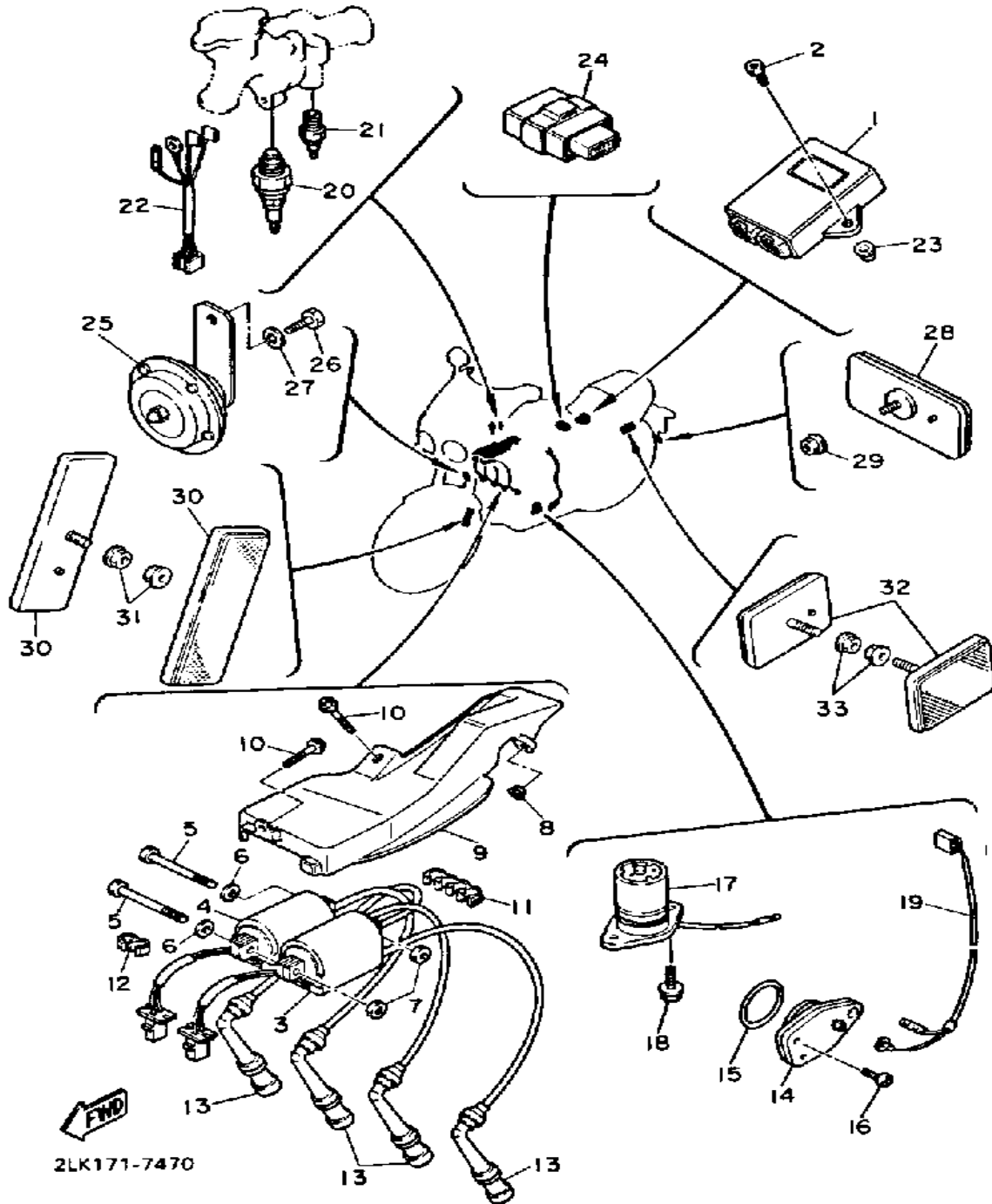
TURNSIGNAL



2LK171-7420

Ref. No.	Part Number	Description	Qty	Remarks
1	1LJ-83310-20-00	FRONT FLASHER LIGHT ASSEMBLY 1	1	
2	256-84714-61-00	. BULB (12V-27/8W)	1	
3	51L-83332-01-00	. LENS, FLASHER	1	
4	97706-40620-00	. SCREW, TAPPING	1	
5	1LJ-83320-20-00	FRONT FLASHER LIGHT ASSEMBLY 2	1	
6	256-84714-61-00	. BULB (12V-27/8W)	1	
7	51L-83342-01-00	. LENS, FLASHER 2	1	
8	97706-40620-00	. SCREW, TAPPING	1	
9	95306-12600-00	NUT	2	
10	18G-83365-00-00	CAP	2	
11	1UF-83330-00-00	REAR FLASHER LIGHT ASSEMBLY 1	1	
12	51L-83342-01-00	. LENS, FLASHER 2	1	
13	256-83311-70-XX	. BULB, TS 12V27W	1	
14	97706-40620-00	. SCREW, TAPPING	1	
15	1UF-83340-00-00	FLASHER LIGHT ASSEMBLY 2	1	
16	51L-83332-01-00	. LENS, FLASHER	1	
17	256-83311-70-XX	. BULB, TS 12V27W	1	
18	97706-40620-00	. SCREW, TAPPING	1	
19	95706-12500-00	NUT, FLANGE	2	
20	18G-83365-00-00	CAP	2	

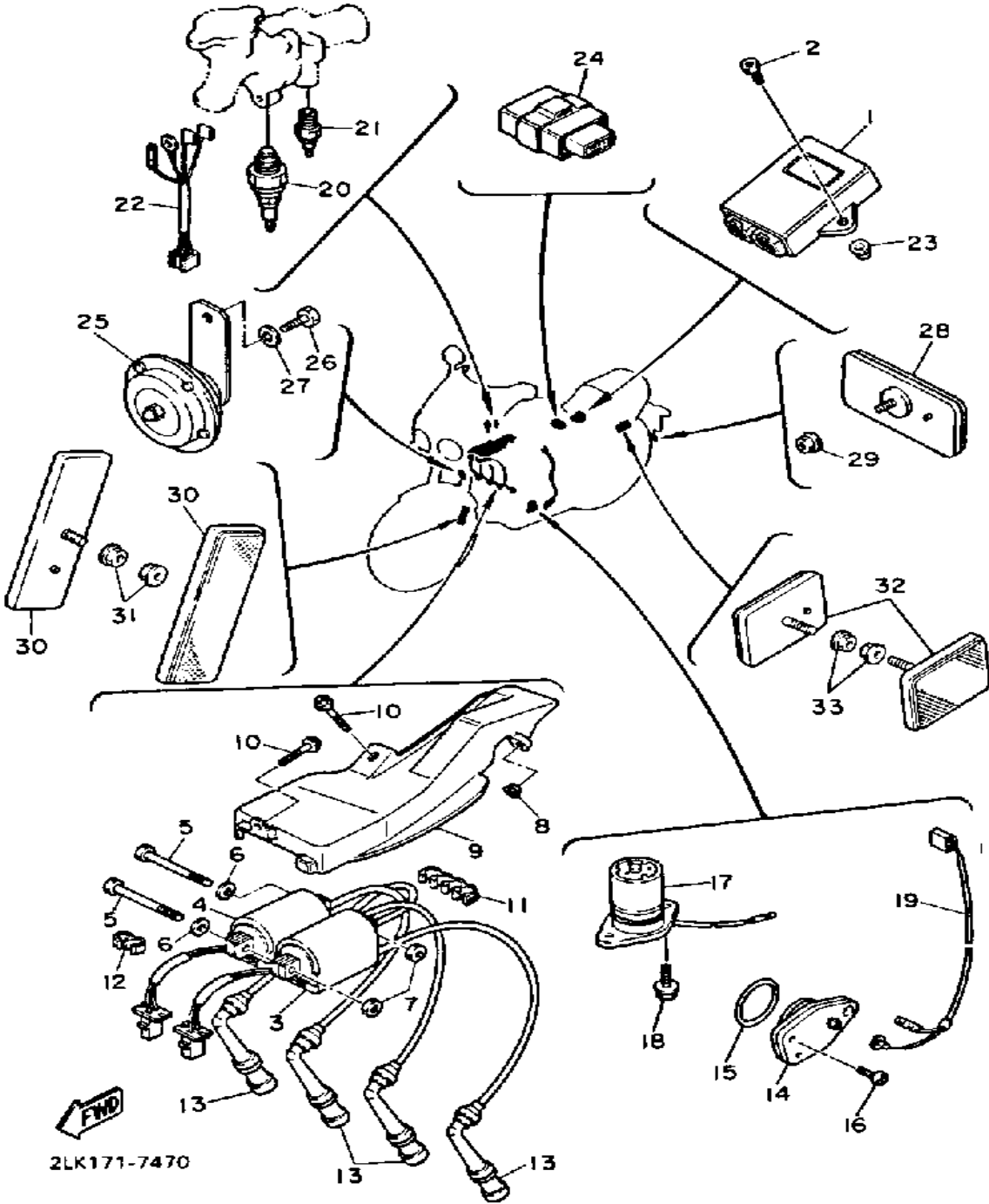
ELECTRICAL 1



Ref. No.	Part Number	Description	Qty	Remarks
1	2GH-82305-10-00	IGNITOR UNIT ASSEMBLY 1	1	
	2LJ-82305-10-00	IGNITOR UNIT ASSEMBLY	1	
2	90110-06158-00	BOLT, HEXAGON SOCKET HEAD	1	
3	2GH-82310-10-00	IGNITION COIL ASSEMBLY	1	
4	2GH-82320-10-00	IGNITION COIL ASSEMBLY	1	
5	97006-06065-00	BOLT	2	
6	92906-06600-00	WASHER	2	
7	95316-06600-00	NUT	2	
8	90480-10190-00	GROMMET	1	
9	2GH-28219-00-00	COVER 1	1	
10	90159-06042-00	SCREW, WITH WASHER	2	
11	2GH-21335-00-00	CLAMP, WIRE HARNESS	1	
12	90464-10075-00	CLAMP	1	
13	2KT-82370-00-00	PLUG CAP ASSEMBLY	4	
14	1AE-82540-00-00	NEUTRAL SWITCH ASSEMBLY	1	
15	93210-29196-00	O-RING	1	
16	98503-06014-00	SCREW, PAN HEAD (92502-06016)	2	
17	4H7-85720-01-00	OIL LVL GAUGE ASSEMBLY	1	
18	95026-06016-00	BOLT, FLANGE	2	
19	1AE-82509-00-00	WIRE, SUB LEAD	1	
20	2EL-82560-00-00	THERMO SWITCH ASSEMBLY	1	
21	11H-83591-00-00	THERMO UNIT	1	
22	2GH-82509-00-00	WIRE, SUB LEAD	1	
23	31A-14477-00-00	PLATE	1	
24	41R-83350-71-00	FLASHER RELAY ASSEMBLY	1	
25	4V8-83371-20-00	HORN	1	
26	97326-08012-00	BOLT, HEXAGON	1	

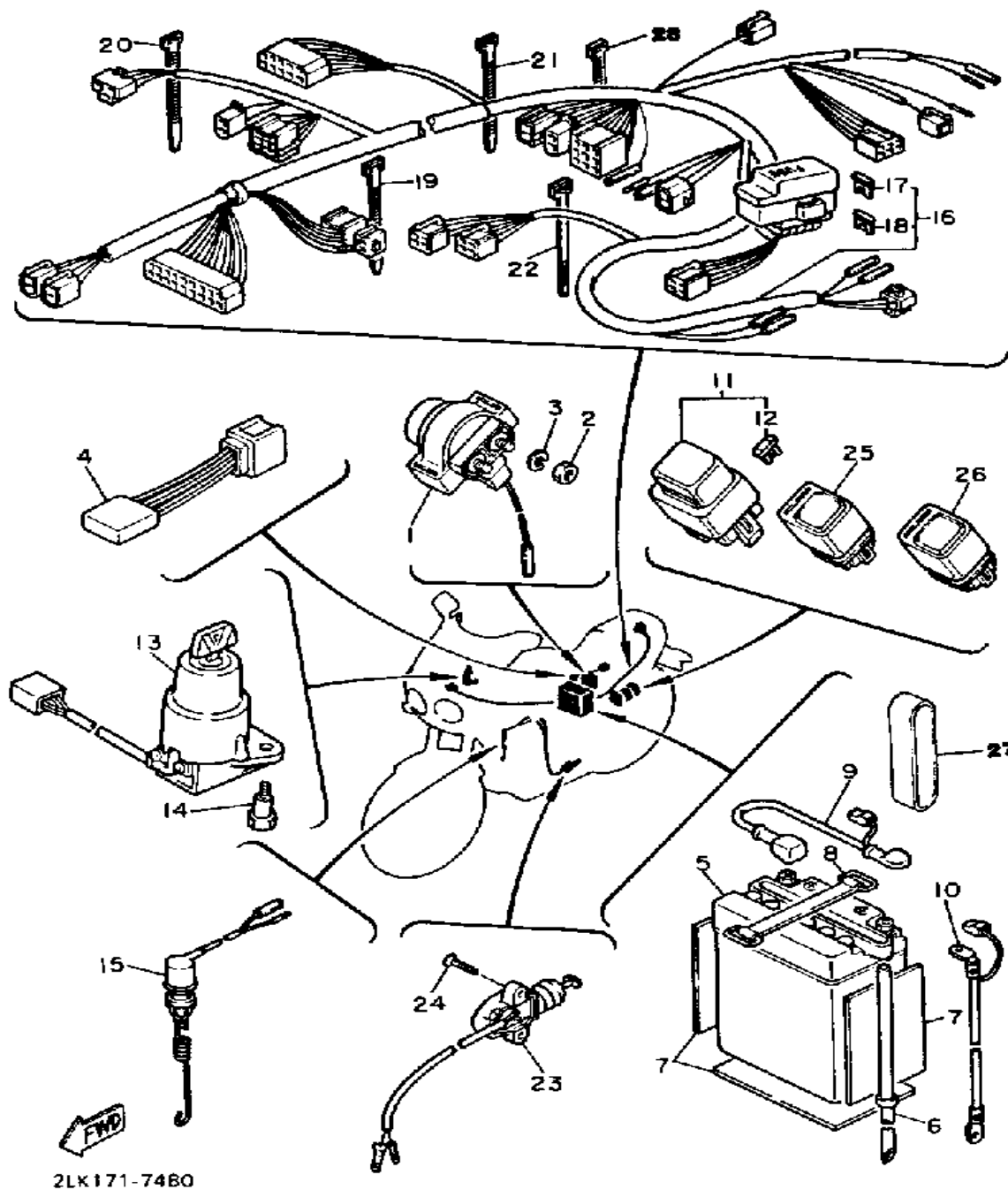
CONTINUED ON NEXT FRAME ►

ELECTRICAL 1



Ref. No.	Part Number	Description	Qty	Remarks
27	92906-08100-00	WASHER, SPRING	1	
28	3G1-85130-01-00	REAR REFLECTOR ASSEMBLY	1	
29	95701-05500-00	NUT, FLANGE	1	
30	11H-85110-01-00	REFLECTOR ASSEMBLY	2	
31	95701-05500-00	NUT, FLANGE	2	
32	3G1-85130-01-00	REAR REFLECTOR ASSEMBLY	2	
33	95701-05500-00	NUT, FLANGE	2	

ELECTRICAL 2 (NON-CALIFORNIA MODE)

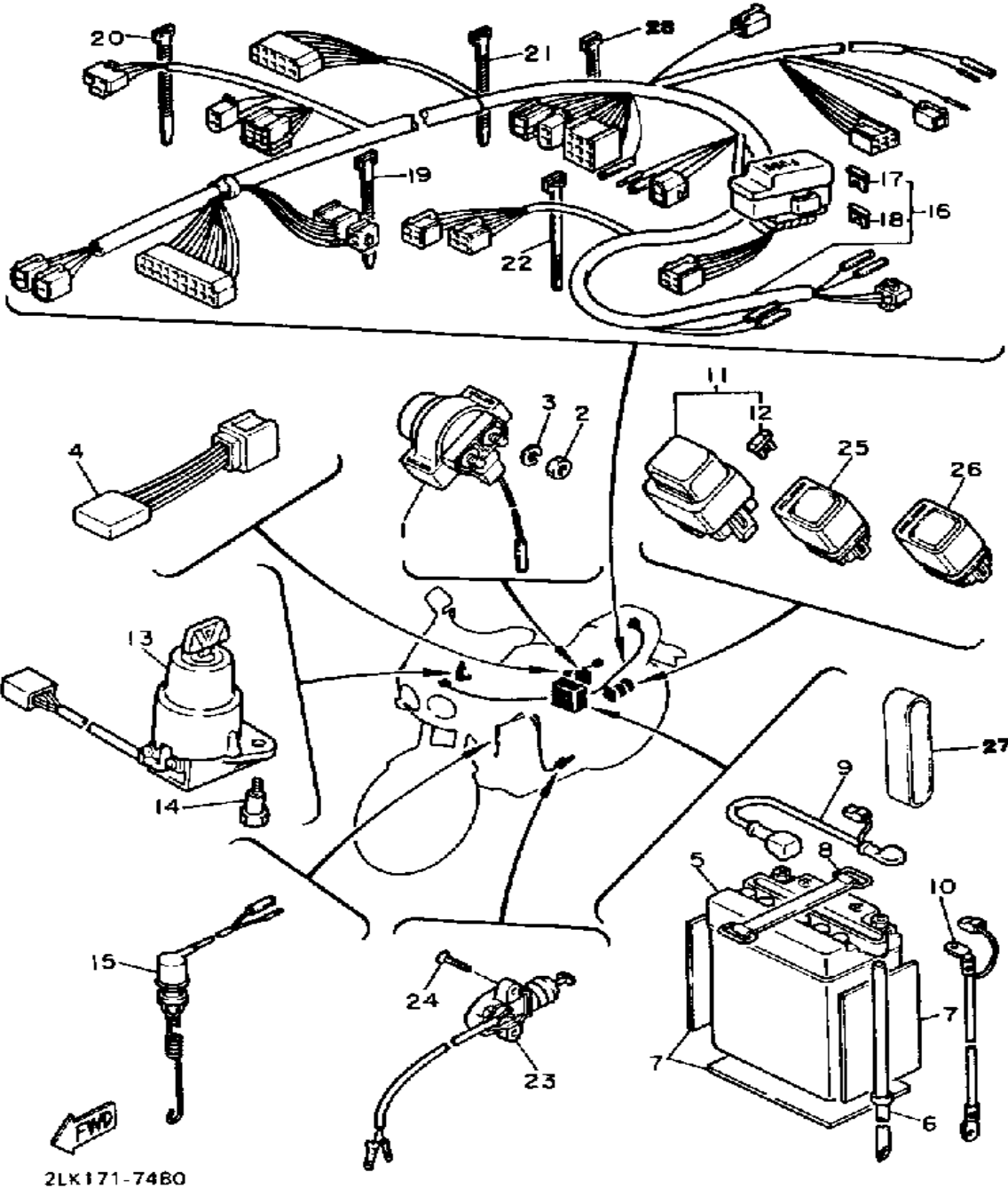


2LK171-7480

Ref. No.	Part Number	Description	Qty	Remarks
1	42X-81940-00-00	STARTER SWITCH ASSEMBLY	1	
2	95380-06700-00	NUT	2	
3	92995-06100-00	WASHER, SPRING	2	
4	4U8-81980-M0-00	DIODE ASSEMBLY	1	FOR SIDE STAND SAFETY DEVISE
5	BTY-YB14L-A2-00	BATTERY ASSEMBLY (YB14L-A2)	1	
6	90445-083A4-00	HOSE	1	
7	5X2-24183-00-00	DAMPER, LOCATING 3	3	
8	2T4-82131-00-00	BAND, BATTERY	1	
9	2GH-82115-00-00	WIRE, PLUS LEAD	1	
10	1UF-82116-00-00	WIRE, MINUS LEAD	1	
11	1AE-82150-00-00	FUSE HOLDER ASSEMBLY	1	
12	1AE-82151-00-00	. FUSE (30A-BL)	2	
13	3JV-82501-00-00	MAIN SWITCH STEERING LOCK	1	
14	90149-06228-00	SCREW	2	
15	2GH-82530-02-00	STOP SWITCH ASSEMBLY	1	
16	2LJ-82590-00-00	WIRE HARNESS ASSEMBLY	1	
17	42X-82151-00-00	. FUSE (10A-BL)	4	
18	36Y-82151-00-00	. FUSE (15A-BL)	2	
19	437-83936-01-00	BAND, SWITCH CORD	4	
20	437-83936-11-00	BAND, SWITCH CORD	1	
21	341-26397-01-00	BAND	2	
22	25G-83936-01-00	BAND, SWITCH CORD	1	
23	2KT-82566-01-00	SWITCH, SIDE STAND	1	
24	90152-05016-00	SCREW, COUNTERSUNK	2	
25	25G-81950-01-00	RELAY ASSEMBLY	1	
26	4U8-81950-02-00	RELAY ASSEMBLY. (4U8-81950-00)	1	FOR SIDE STAND

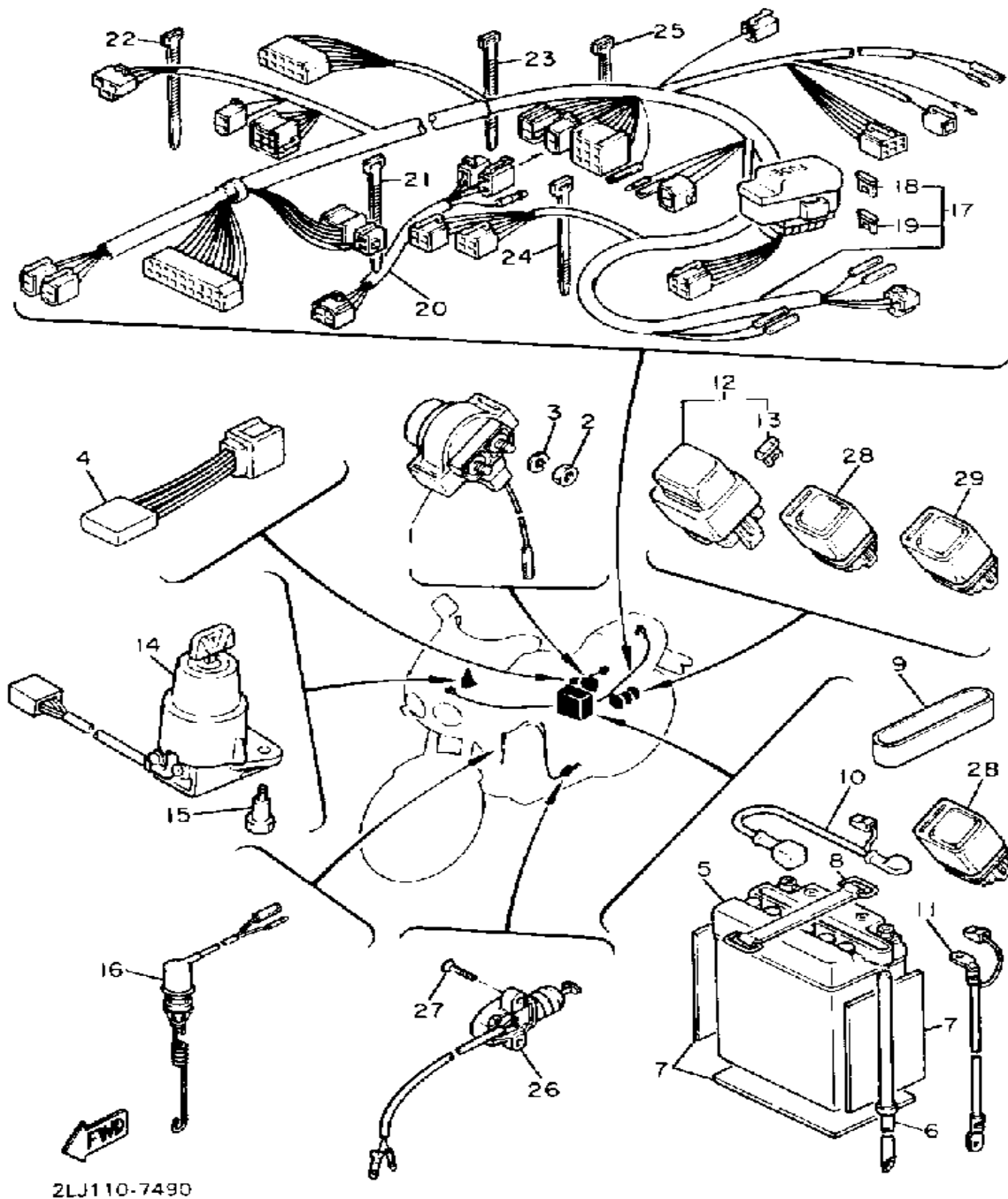
CONTINUED ON NEXT FRAME ►

ELECTRICAL 2 (NON-CALIFORNIA MODE)



Ref. No.	Part Number	Description	Qty	Remarks
27	1UA-82124-00-00	BAND, BATTERY	1	
28	90464-13073-00	CLAMP	1	

ELECTRICAL 2 (CALIFORNIA MODEL ON

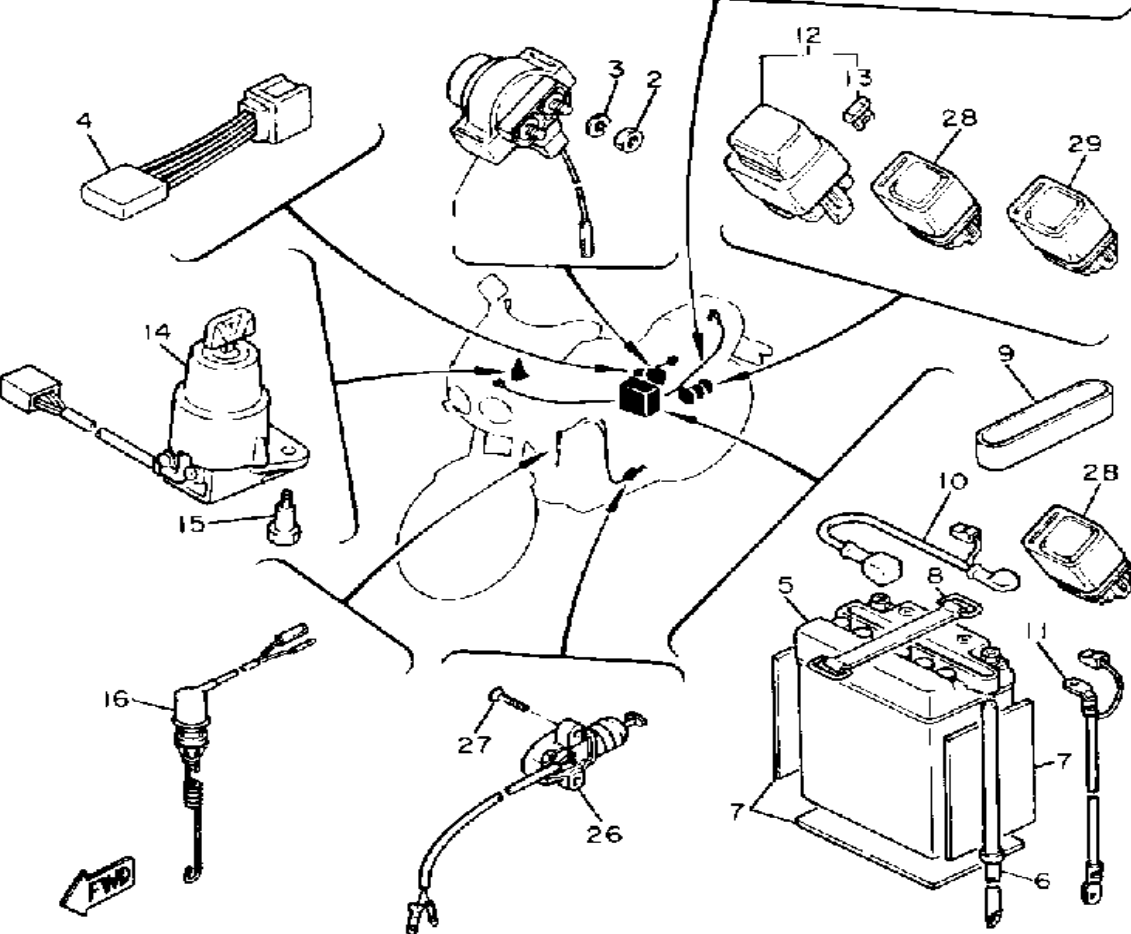
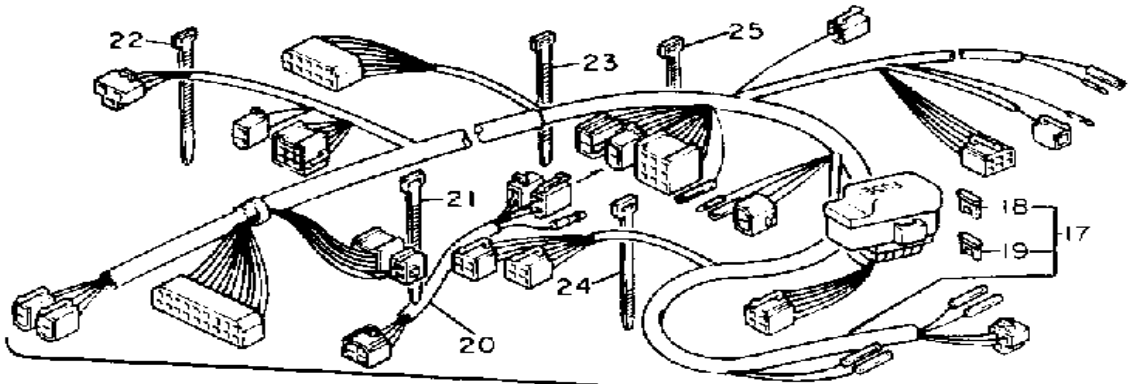


2LJ110-7490

Ref. No.	Part Number	Description	Qty	Remarks
1	42X-81940-00-00	STARTER SWITCH ASSEMBLY	1	
2	95380-06700-00	NUT	2	
3	92995-06100-00	WASHER, SPRING	2	
4	4U8-81980-M0-00	DIODE ASSEMBLY	1	FOR SIDE STAND SAFETY DEVISE
5	BTY-YB14L-A2-00	BATTERY ASSEMBLY (YB14L-A2)	1	
6	90445-083A4-00	HOSE	1	
7	5X2-24183-00-00	DAMPER, LOCATING 3	3	
8	2T4-82131-00-00	BAND, BATTERY	1	
9	1UA-82124-00-00	BAND, BATTERY	1	
10	2GH-82115-00-00	WIRE, PLUS LEAD	1	
11	1UF-82116-00-00	WIRE, MINUS LEAD	1	
12	1AE-82150-00-00	FUSE HOLDER ASSEMBLY	1	
13	1AE-82151-00-00	. FUSE (30A-BL)	2	
14	3JV-82501-00-00	MAIN SWITCH STEERING LOCK	1	
15	90149-06228-00	SCREW	2	
16	2GH-82530-02-00	STOP SWITCH ASSEMBLY	1	
17	2LJ-82590-00-00	WIRE HARNESS ASSEMBLY	1	
18	42X-82151-00-00	. FUSE (10A-BL)	4	
19	36Y-82151-00-00	. FUSE (15A-BL)	2	
20	2LJ-82509-00-00	WIRE, SUB LEAD	1	
21	437-83936-01-00	BAND, SWITCH CORD	4	
22	437-83936-11-00	BAND, SWITCH CORD	1	
23	341-26397-01-00	BAND	1	
24	25G-83936-01-00	BAND, SWITCH CORD	1	
25	90464-13073-00	CLAMP	1	
26	2KT-82566-01-00	SWITCH, SIDE STAND	1	
27	90152-05016-00	SCREW, COUNTERSUNK	2	

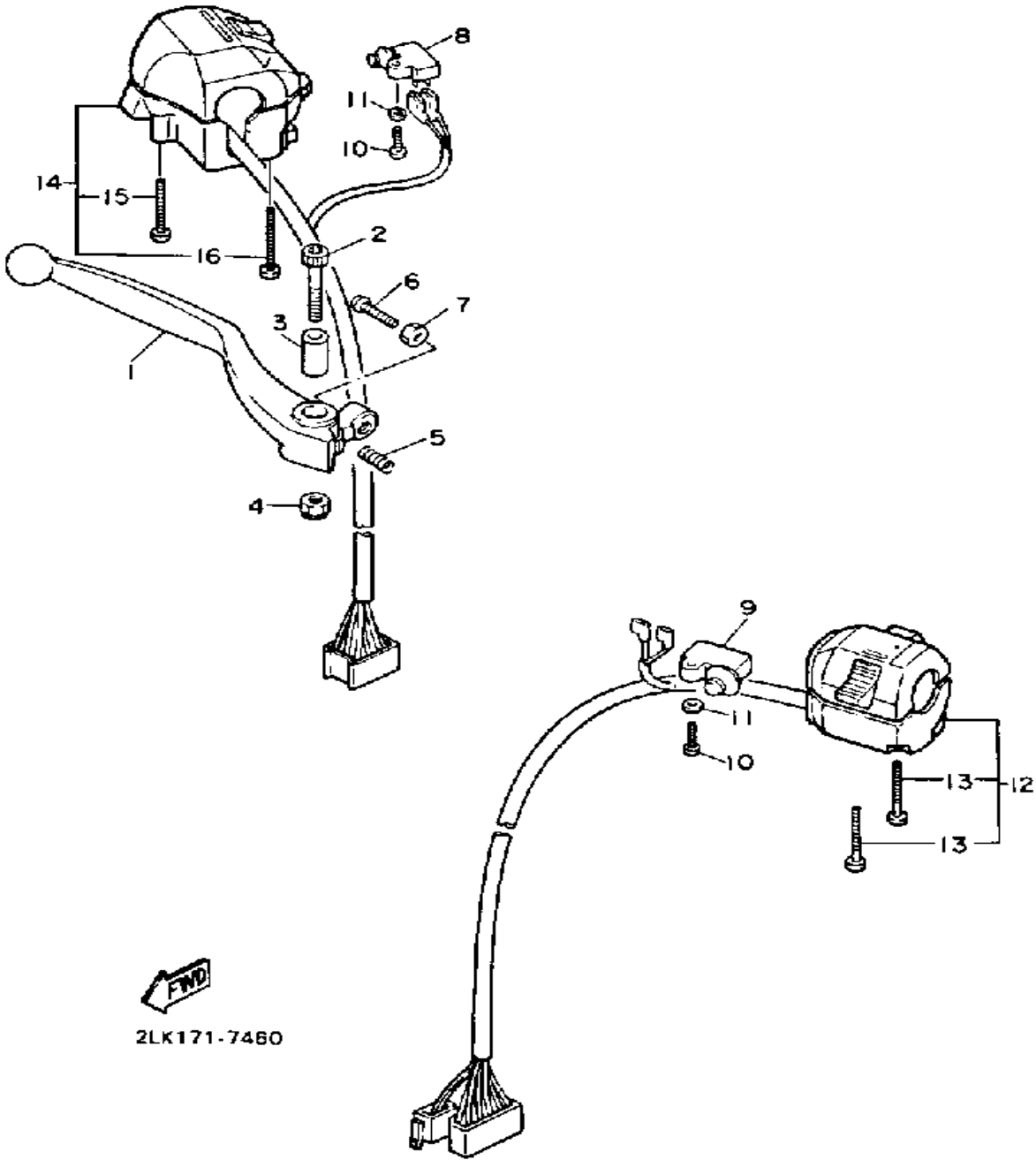
CONTINUED ON NEXT FRAME ►

ELECTRICAL 2 (CALIFORNIA MODEL ON



Ref. No.	Part Number	Description	Qty	Remarks
28	25G-81950-01-00	RELAY ASSEMBLY	2	
29	4U8-81950-02-00	RELAY ASSEMBLY. (4U8-81950-00)	1	FOR SIDE STAND

HANDLE SWITCH - LEVER



Ref. No.	Part Number	Description	Qty	Remarks
1	36Y-83922-00-00	LEVER R	1	
2	90110-06074-00	BOLT, HEXAGON SOCKET HEAD	1	
3	36Y-83913-01-00	COLLAR, LEVER 1	1	
4	95616-06100-00	NUT, U	1	
5	90501-10312-00	SPRING, COMPRESSION	1	
6	90149-06153-00	SCREW, SPEC'L SHAPE	1	
7	90170-06010-00	NUT	1	
8	J45-82503-01-00	SWITCH, ALARM	1	
9	36Y-82917-00-00	SWITCH	1	
10	98506-04018-00	SCREW, PAN HEAD	2	
11	92906-04600-00	WASHER, PLATE	2	
12	1UF-83973-10-00	SWITCH, HANDLE 3	1	
13	98506-05035-00	. SCREW, PAN HEAD	2	
14	2LJ-83975-00-00	SWITCH, HANDLE 2	1	
15	98506-05040-00	. SCREW, PAN HEAD	1	
16	98506-05045-00	. SCREW, PAN HEAD	1	

FZR1000T, TC 1987 SERVICE DATA

MODEL - IBM I.D. NUMBER	FZR1000T-2LH	FZR1000TC-2LJ
Initial Engine Number / Frame Number	SEE PAGE 2	
Fuel Type / Total Fuel Tank Capacity / Reserve Cap.	Unleaded Regular / 20 Lit (5.3 gal) / 4.5 Lit (1.1 gal)	
ENGINE TYPE		
	4 Stroke, 5-Valve, DOHC, Parallel Four	
Bore / Stroke / Number Cylinders / Displacement	75mm / 56mm / 4 / 990cc	
Compression Ratio / Compression Pressure Min~Max	11.2:1 / 10.6 ~ 11.8 kg/cm ² (151 ~ 168 psi)	
Piston Skirt Clearance New / Max	0.06 ~ 0.8mm / 0.1mm	
Ring End Gap Top / 2nd / 3rd	0.3 ~ 0.5mm / 0.3 ~ 0.5mm / 0.2 ~ 0.8mm	
Valve Clearance (Cold) Intake / Exhaust	0.11 ~ 0.20mm / 0.21 ~ 0.30mm	
Oiling System	Wet Sump (Trochoid Type)	
Capacity: Dry	3500cc (3.7 qt)	
Oil & Filter Change / Oil Change Only	3000cc (3.2 qt) / 2700cc (2.9 qt)	
Oil Filter Part Number	36Y-13441-00-00	
Lubricant: Temp Above 5°C (40°F)	Yamalube 4* or SAE 20W40 SE	
Temp Below 15°C (60°F)	SAE 10W40 SE	
Cooling System / Capacity / Cap Opening Pressure	Liquid / 2.3 Lit (2.8 qt) / 0.75~1.05kg/cm ² (11~15 psi)	
Coolant Type / Mixing Ratio	Ethylene Glycol - Water / 1:1	
AUTOLUBE - Min Stroke / Color Code		
Minimum Output @ 200 Cycles	φ	
Maximum Output @ 200 Cycles	φ	
CARBURETOR - Manufacturer / Type / I.D. Number		
	Mikuni / BDS37 / T:2LH-00 TC:2LJ-00	
Main Jet / Pilot Jet / Pilot Screw (Turns Out)	1: #1, 4:110 #2, 3:107.5 TC: #1, 4:107.5 #2, 3:105 / T:17.5 TC:20 / T:3 TC:2	
Needle Jet / Jet Needle / Clip Position	Y-0 / T:5C12 TC:5C23 / Fixed	
Slide Cutaway	φ	
Float Height / Fuel Level	NA / 8.3 ±1.0mm (with special tool)	
Idle rpm	1000 ±50	
Max CO _e / Max HC _e / Set CO	7% / 2000 ppm / 4 ±0.5% @ 1000 rpm	
SUSPENSION		
Front: Oil Type / Level / Qty	10 Wt. Fork Oil* / 143mm / 425cc	
Gas or Air Pressure Min~Max / Standard	φ	
Spring Length Standard	533mm (21 in.)	
Rear: Gas or Air Pressure Min~Max / Standard	11~12kg/cm ² (156~185 psi) / 12kg/cm ² (171 psi)	
Minimum Brake Lining Thickness Front / Rear	0.5mm / 0.5mm	
Tire Size / Nominal Pressure: Front	120/70VR17-V720 / 2.5 kg/cm ² (36 psi)	
Rear	160/60VR18-V720 / 2.5 kg/cm ² (36 psi)	
TRANSMISSION - Oil Type / Qty Change / Qty Dry		
	See ENGINE	
Secondary Drive Type / Teeth / Chain / Freeplay	Chain / 47-16 / 532ZL-110L / 15 ~ 20mm	
Middle Gear Case Capacity	φ	
Final Gear Case Capacity	φ	
Gear Case Lubricant	φ	

CHARGING SYSTEM	
Battery: Model / Specific Gravity / Charge Rate	AC Generator
Maximum Output	YB14L (12V14AH) / 1.280 / 1.4A
Field Coil (Rotor) Ω	12V 28A @ 5000 rpm
Stator Coil Color Code / Ω	4.0Ω ±5%
Charge Coil Color Code / Ω	NA / 0.168Ω ±5%
	φ

IGNITION SYSTEM	
Ignition Timing (BTDC)	Transistor Controlled (Digital)
Spark Plug Type	5° @ 1000 rpm Full Adv: 50° @ 6000 rpm
Spark Plug Gap / Torque / Cap Ω	NGK DP8EA or ND X24EP-U9
Ignition Coil Test Gap / Primary Ω / Secondary Ω	0.8 ~ 0.9mm/1.75 m·kg (13 ft·lb)/10kΩ
Pulser Coil or Pickup Coil Color Code / Ω	6mm / 2Ω ±10% / 12kΩ ±20%
Source Coil Color Code / Ω	0~Gy / 150Ω ±10%
	φ

LIGHTING SYSTEM	
Headlight / Taillight / Signal Rating	12V35-35W / 12V27W-8W / 12V27W
Lighting Coil Color Code / Ω	φ

TORQUE VALUES	
Front Axle Nut	M14: 5.8 m·kg (42 ft·lb)
Front Axle Holder Nut	M8: 2.0 m·kg (14 ft·lb)
Rear Axle Nut	M16: 10.7 m·kg (77.4 ft·lb)
Clutch Nut	M20: 7.0 m·kg (50 ft·lb)
Drain Plug	M14: 4.3 m·kg (31 ft·lb)
Flywheel Nut	φ
Cylinder Head Cover	M6: 1.0 m·kg (7.2 ft·lb)
Cylinder Head:	M9: 3.7 m·kg (27 ft·lb)
Engine Mounting Bolts: Front Upper	M10: 5.5 m·kg (40 ft·lb)
Rear Upper	M10: 5.5 m·kg (40 ft·lb)
Rear Lower	M10: 4.2 m·kg (31 ft·lb)
Pivot Shaft	M14: 9.0 m·kg (65 ft·lb)

Initial Engine Number / Frame Number	FZR1000T: 2LH-000101 / JYA2LH00()JA000101
	FZR1000TC: 2LJ-000101 / JYA2LJ00()JA000101

φ = Does Not Apply to This Model
NA = Information Not Available

* = Available from YPDI
⊕ = For Diagnostic Use Only

SERVICE LITERATURE

PUBLICATION	PART NUMBER	REMARKS
Owner's Manual	LIT-11626-05-62	
Service Manual	LIT-11616-05-62	
Assembly Manual	LIT-11666-05-62	

ROUTE TO: SERVICE PARTS WARRANTY SALES PAGE 2 OF 2

