

YAMAHA

**SERVICE
INFORMATION**



YAMAHA

YZF750R(G)

'95

4HD-SE5

YZF750SP(G)

**SERVICE
INFORMATION**

FOREWORD

This Service Information has been prepared to introduce new service and data for the YZF750R(G)/YZF750SP(G) '95. For complete service information procedures it is necessary to use this publication together with the following microfiche service manual.

YZF750R(F)/YZF750SP(F) '94 SERVICE MANUAL: 4HD-ME5
YZF750R(E)/YZF750SP(E) '93 SERVICE INFORMATION: 4HD-SE1
YZF750R/YZF750SP '93 (For F, CH, A) SERVICE INFORMATION: 4HD-SE2
YZF750R(F)/YZF750SP(F) '94 SERVICE INFORMATION: 4HD-SE3

YZF750R(G)/YZF750SP(G) '95
SERVICE INFORMATION
©1995 by Yamaha Motor Co. Ltd.
1st Edition, January 1995
All rights reserved. Any reprinting or
unauthorized use without the written
permission of Yamaha Motor Co., Ltd.
is expressly prohibited.
Printed in Japan

NOTICE

This manual was written by the Yamaha Motor Company primarily for use by Yamaha dealers and their qualified mechanics. It is not possible to put an entire mechanic's education into one manual, so it is assumed that persons using this book to perform maintenance and repairs on Yamaha motorcycles have a basic understanding of the mechanical concepts and procedures inherent in motorcycle repair technology. Without such knowledge, attempted repairs or service to this model may render it unfit to use and/or unsafe.

Yamaha Motor Company, Ltd. is continually striving to improve all models manufactured by Yamaha. Modifications and significant changes in specifications or procedures will be forwarded to all Authorized Yamaha dealers and will, where applicable, appear in future editions of this manual.

HOW TO USE THIS MANUAL

PARTICULARLY IMPORTANT INFORMATION

This material is distinguished by the following notation.



The Safety Alert Symbol means ATTENTION! BECOME ALERT! YOUR SAFETY IS INVOLVED!



Failure to follow **WARNING** instructions could result in severe injury or death to the motorcycle operator, a bystander, or a person inspecting or repairing the motorcycle.



A **CAUTION** indicates special precautions that must be taken to avoid damage to the motorcycle.

NOTE:

A **NOTE** provides key information to make procedures easier or clearer.

MANUAL FORMAT























All of the procedures in this manual are organized in a sequential, step-by-step format. The information has been compiled to provide the mechanic with an easy to read, handy reference that contains comprehensive explanations of all disassembly, repair, and assembly, inspection operations.

In this revised format, the condition of a faulty component will precede an arrow symbol and the course of action required will follow the symbol, e.g.,

- Bearings
Pitting/Damage → Replace.

EXPLODED DIAGRAM

Each chapter provides exploded diagrams before each disassembly section for ease in identifying correct disassembly and assembly procedures.

① GEN INFO 	② SPEC 	
③ INSP ADJ 	④ ENG 	
⑤ COOL 	⑥ CARB 	
⑦ CHAS 	⑧ ELEC 	
⑨ TRBL SHTG ?	⑩ 	
⑪ 	⑫ 	
⑬ 	⑭ 	
⑮ 	⑯ 	
⑰ 	⑱ 	⑲ 
⑳ 	㉑ 	㉒ 
㉓ 	㉔ New	

ILLUSTRATED SYMBOLS (Refer to the illustration)

Illustrated symbols ① to ⑨ are designed as thumb tabs to indicate the chapter's number and content.

- ① General information
- ② Specifications
- ③ Periodic inspection and adjustment
- ④ Engine
- ⑤ Cooling system
- ⑥ Carburetion
- ⑦ Chassis
- ⑧ Electrical
- ⑨ Troubleshooting

Illustrated symbols ⑩ to ⑯ are used to identify the specifications appearing in the text.

- ⑩ Filling fluid
- ⑪ Lubricant
- ⑫ Special tool
- ⑬ Tightening
- ⑭ Wear limit, clearance
- ⑮ Engine speed
- ⑯ Ω , V, A

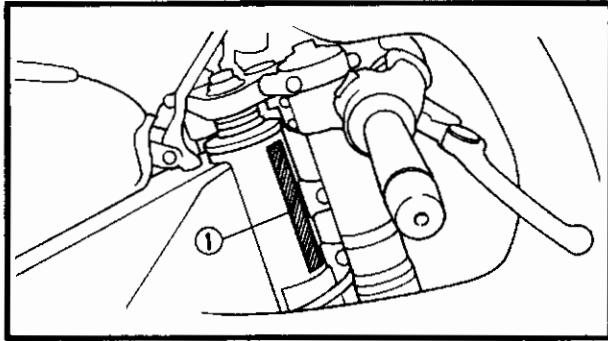
Illustrated symbols ⑰ to ㉔ in the exploded diagram indicate grade of lubricant and location of lubrication point.

- ⑰ Apply engine oil
- ⑱ Apply gear oil
- ⑲ Apply molybdenum disulfide oil
- ㉑ Apply wheel bearing grease
- ㉒ Apply lightweight lithium-soap base grease
- ㉓ Apply molybdenum disulfide grease
- ㉔ Apply locking agent (LOCTITE®)
- ㉕ Use new one

CONTENTS

GENERAL INFORMATION	1
MOTORCYCLE IDENTIFICATION	1
VEHICLE IDENTIFICATION NUMBER (For E, AUS and CDN)	1
FRAME SERIAL NUMBER (Except for E, AUS and CDN)	1
ENGINE SERIAL NUMBER	2
SPECIFICATIONS	3
YZF750R GENERAL SPECIFICATIONS	3
YZF750R MAINTENANCE SPECIFICATIONS	4
ENGINE	4
CHASSIS	5
ELECTRICAL	6
YZF750SP GENERAL SPECIFICATIONS	7
YZF750SP MAINTENANCE SPECIFICATIONS	8
ENGINE	8
CHASSIS	9
ELECTRICAL	10
CABLE ROUTING	11
EXPLODED DIAGRAM	15
COWLINGS	15
RADIATOR/OIL COOLER	17
CARBURETOR	18
REAR SHOCK ABSORBER AND SWINGARM	19
YZF750R/YZF750SP WIRING DIAGRAM (FOR EUROPE)	
YZF750R/YZF750SP WIRING DIAGRAM (EXCEPT FOR EUROPE)	

MOTORCYCLE IDENTIFICATION



GENERAL INFORMATION MOTORCYCLE IDENTIFICATION

VEHICLE IDENTIFICATION NUMBER

(For E, AUS and CDN)

The vehicle identification number ① is stamped into the right side of the steering head.

Starting serial number:

YZF750R(G):

JYA4HDS0 *SA035101 (E)

JYA4HAT0 *SA002101 (AUS)

JYA4HYN0 *SA002101 (CDN)

YZF750SP(G):

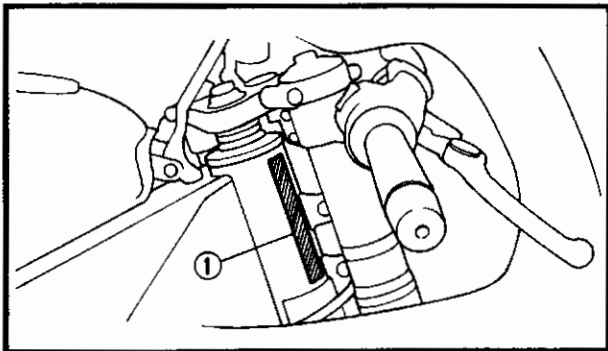
JYA4HSS0 *SA007101 (E)

JYA4HBT0 *SA002101 (AUS)

JYA4JAN0 *SA002101 (CDN)

NOTE:

The vehicle identification number is used to identify your motorcycle and may be used to register your motorcycle with the licensing authority in your state.



FRAME SERIAL NUMBER

(Except for E, AUS and CDN)

The frame serial number ① is stamped into the right side of the steering head.

Starting serial number:

YZF750R(G):

4HD-028101 (I)(B)(NL)(IRL)(GB)(DK)(N)
(GR)(PRT)

4HN-018101 (D)(S)(SF)

4HR-006101 (CH)(A)

4FM-013101 (F)

YZF750SP(G):

4HS-005101 (I)(B)(NL)(IRL)(GB)

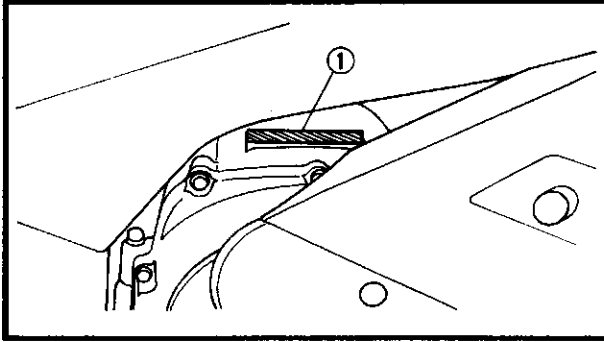
4HT-002101 (D)

NOTE:

The first three digits of these numbers are for model identifications; the remaining digits are the unit production number.

MOTORCYCLE IDENTIFICATION

**GEN
INFO**



ENGINE SERIAL NUMBER

The engine serial number ① is stamped into crankcase.

Starting serial number:

YZF750R(G):

4HD-035101 (E)

4HA-002101 (AUS)

4HD-028101 (I)(B)(NL)(IRL)(GB)(DK)(N)
(GR)(PRT)

4HN-018101 (D)(S)(SF)

4HR-006101 (CH)(A)

4FM-013101 (F)

4HY-002101 (CDN)

YZF750SP(G):

4HS-007101 (E)

4HB-002101 (AUS)

4HS-005101 (I)(B)(NL)(IRL)(GB)

4HT-002101 (D)

4JA-002101 (CDN)

NOTE:

- The first three digits of these numbers are for model identification; the remaining digits are the unit production number.
- Designs and specifications are subject to change without notice.

YZF750R GENERAL SPECIFICATIONS



SPECIFICATIONS

YZF750R GENERAL SPECIFICATIONS

Model	YZF750R
Model code:	4HD6 (E) 4HA3 (AUS) 4HD5 (I)(B)(NL)(IRL)(GB)(DK)(N)(GR)(PRT) 4HN3 (D)(S)(SF) 4HR3 (CH)(A) 4FM3 (F) 4HY3 (CDN)
Engine starting number:	4HD-035101 (E) 4HA-002101 (AUS) 4HD-028101 (I)(B)(NL)(IRL)(GB)(DK)(N)(GR)(PRT) 4HN-018101 (D)(S)(SF) 4HR-006101 (CH)(A) 4FM-013101 (F) 4HY-002101 (CDN)
Vehicle identification number:	JYA4HDS0 *SA035101 (E) JYA4HAT0 *SA002101 (AUS) JYA4HYN0 *SA002101 (CDN)
Frame starting number:	4HD-028101 (I)(B)(NL)(IRL)(GB)(DK)(N)(GR)(PRT) 4HN-018101 (D)(S)(SF) 4HR-006101 (CH)(A) 4FM-013101 (F)
Basic weight: With oil and full fuel tank	221 kg (487 lb)
Radiator capacity (including all routes):	2.6 L (2.29 Imp qt, 2.75 US qt)
Spark plug: Type Manufacturer Spark plug gap	CR9E/U27ESR-N NGK/NIPPONDENSO 0.7 ~ 0.8 mm (0.028 ~ 0.031 in)
Tire pressure (cold tire): Maximum load-except motorcycle Loading condition A * front rear Loading condition B * front rear High-speed riding front rear	169 kg (373 lb) 177 kg (390 lb) (CDN) 184 kg (406 lb) (SF) 204 kg (450 lb) (D) 0 ~ 90 kg (0 ~ 198 lb) 225 kPa (2.25 kg/cm ² , 32 psi) 250 kPa (2.5 kg/cm ² , 36 psi) 90 kg ~ Maximum load (198 lb ~ Maximum load) 250 kPa (2.5 kg/cm ² , 36 psi) 290 kPa (2.9 kg/cm ² , 41 psi) * Load is the total weight of cargo, rider, passenger and accessories. 250 kPa (2.5 kg/cm ² , 36 psi) 290 kPa (2.9 kg/cm ² , 41 psi)

YZF750R MAINTENANCE SPECIFICATIONS

SPEC



YZF750R MAINTENANCE SPECIFICATIONS

ENGINE

Model	YZF750R			
Carburetor:				
I. D. mark	4HD10	4HN10 (D)(S)(SF)	4FM10 (F)	4HR10 (CH)(A)
Main jet (M.J.)	#120	←	#1,4:#125 #2,3:#122.5	←
Main air jet (M.A.J.)	#1,4:#60 #2,3:#110	←	#1,4:#55 #2,3:#65	#1,4:#45 #2,3:#60
Jet needle (J.N.)	#1,4:5CEX31 #2,3:6CEZ11	←	#1,4:5CEU27 #2,3:5CET26	5CEX25
Needle jet (N.J.)	Y-2	•Y-2	Y-0	←
Pilot air jet (P.A.J.1)	#145	←	#120	←
Pilot outlet (P.O.)	0.85	←	←	←
Pilot jet (P.J.)	#45	←	#42.5	#35
Bypass 1 (B.P.1)	0.8	←	←	←
Bypass 2 (B.P.2)	0.8	←	←	←
Bypass 3 (B.P.3)	0.8	←	←	←
Pilot screw (P.S.)	2-1/2	←	2	←
Valve seat size (V.S.)	1.0	←	←	←
Starter jet (G.S.1)	57.5	←	←	←
Starter jet (G.S.2)	0.7	←	←	←
Throttle valve size (TH.V.)	#130	←	#125	#130
Fuel level (F.L.)	6.8 ~ 7.8 mm (0.27 ~ 0.31 in) Above the float chamber line			
Engine idle speed	1,150 ~ 1,250 r/min			
Cooling system:				
Radiator core size				
Width	380 mm (15.0 in)			
Height	318 mm (12.5 in)			
Thickness	24 mm (0.95 in)			
Radiator cap opening pressure	95 ~ 125 kPa (0.95 ~ 1.25 kg/cm ² , 13.51 ~ 17.78 psi)			
Reservoir tank capacity	0.3 L (0.26 Imp qt, 0.32 US qt)			
<From low to full level>	<0.2 L (0.18 Imp qt, 0.21 US qt)>			
Water pump				
Type	Single suction centrifugal pump			
Reduction ratio	91/48×41/43(1.808)			

YZF750R MAINTENANCE SPECIFICATIONS

SPEC



CHASSIS

Model	YZF750R
Front suspension:	
Front fork travel	120 mm (4.72 in)
Fork spring free length	269 mm (10.6 in)
<Limit>	<264 mm (10.4 in)>
Collar length	106 mm (4.2 in)
Spring rate	
(K1)	7.5 N/mm (0.75 kg/mm 42.0 lb/in)
(K2)	9.5 N/mm (0.95 kg/mm 53.2 lb/in)
Stroke	
(K1)	0 ~ 70 mm (0.00 ~ 2.76 in)
(K2)	70 ~ 120 mm (2.76 ~ 4.72 in)
Optional spring	No
Oil capacity	468 cm ³ (16.4 Imp oz, 15.8 US oz)
Oil level	98 mm (3.86 in)
Oil grade	Suspension oil "01" or equivalent
Rear suspension:	
Shock absorber travel	70 mm (2.76 in)
Spring free length	200 mm (7.87 in)
<Limit>	<196 mm (7.72 in)>
Fitting length	183 mm (7.2 in)
Spring rate	
(K1)	80 N/mm (8 kg/mm 448 lb/in)
Stroke	
(K1)	0 ~ 70 mm (0.00 ~ 2.76 in)
Optional spring	No
Enclosed gas / air pressure (STD)	1,400 kPa (14 kg/cm ² , 199 psi)

Tightening torques

Part to be tightened	Thread size	Tightening torque			Remarks
		Nm	m·kg	ft·lb	
Rear wheel axle	M24	150	15	110	
Brake disc and wheel	M8	23	2.3	17	

YZF750R MAINTENANCE SPECIFICATIONS

SPEC



ELECTRICAL

Model	YZF750R	
Ignition system:		(F)(CH)(A)
Ignition timing (B.T.D.C.)	10° at 1,200 r/min	5° at 1,200 r/min
Advancer type	Electrical type	
T.C.I.:		
Pickup coil resistance / color	135 ~ 165 Ω at 20°C (68°F) / Black - Gray	
T.C.I. unit model / manufacturer	TNDF27/NIPPONDENSO TNDF20/NIPPONDENSO (F) TNDF25/NIPPONDENSO (D) (S) (SF) TNDF29/NIPPONDENSO (CH)(A)	
Ignition coil:		
Model / manufacturer	J0313/NIPPONDENSO	
Minimum spark gap	6 mm (0.24 in)	
Primary winding resistance/color	1.9 ~ 2.5 Ω at 20°C (68°F)/Red/White-Gray	
Secondary winding resistance	12 ~ 18 kΩ at 20°C (68°F)	
Flasher relay:		
Type	Full-transistor type	
Model / manufacturer	FE246BH/NIPPONDENSO	
Self cancelling device	No	
Flasher frequency	60 ~ 120 cycle/min	
Wattage	21 W × 2 + 3.4 W 27 W × 2 + 3.4 W (CDN)	
Thermostatic switch:		
Model / manufacturer	3LN/NIHON THERMOSTAT	
Circuit breaker:		
Type	Fuse	
Amperage for individual circuit		
MAIN	30 A × 1	
HEAD	20 A × 1	
SIGNAL	15 A × 1	
IGNITION	20 A × 1	
FAN	7.5 A × 2	
Reserve	20 A × 1	
Reserve	7.5 A × 1	
Reserve	15 A × 1	

YZF750SP GENERAL SPECIFICATIONS

SPEC



YZF750SP GENERAL SPECIFICATIONS

Model	YZF750SP
Model code:	4HS6 (E) 4HB3 (AUS) 4HS5 (I)(B)(NL)(IRL)(GB) 4HT3 (D) 4JA3 (CDN)
Engine starting number:	4HS-007101 (E) 4HB-002101 (AUS) 4HS-005101 (I)(B)(NL)(IRL)(GB) 4HT-002101 (D) 4JA-002101 (CDN)
Vehicle identification:	JYA4HSS0 *SA007101 (E) JYA4HBT0 *SA002101 (AUS) JYA4JAN0 *SA002101 (CDN)
Frame starting number:	4HS-005101 (I)(B)(NL)(IRL)(GB) 4HT-002101 (D)
Basic weight: With oil and full fuel tank	218 kg (481 lb)
Radiator capacity (including all routes):	2.6 L (2.29 Imp qt, 2.75 US qt)
Spark plug: Type Manufacturer Spark plug gap	CR9E/U27ESR-N NGK/NIPPONDENSO 0.7 ~ 0.8 mm (0.028 ~ 0.031 in)
Tire pressure (cold tire): Maximum load-except motorcycle Loading condition A * front rear High-speed riding front rear	97 kg (214 lb) 112 kg (247 lb) (E) (I) 87kg (192 lb) (CDN) 0 kg ~ Maximum load (0 lb ~ Maximum load) 225 kPa (2.25 kg/cm ² , 32 psi) 250 kPa (2.5 kg/cm ² , 36 psi) * Load is the total weight of cargo, rider, passenger and accessories. 250 kPa (2.5 kg/cm ² , 36 psi) 290 kPa (2.9 kg/cm ² , 41 psi)

YZF750SP MAINTENANCE SPECIFICATIONS

SPEC



**YZF750SP MAINTENANCE SPECIFICATIONS
ENGINE**

Model	YZF750SP	
Carburetor:		
I. D. mark	4HS5	4HT3 (D)
Main jet (M.J.)	#125	#1,4:#128, #2,3:#125
Main air jet (M.A.J.)	#70	←
Jet needle (J.N.)	N1CB	N1CA
Cutaway (C.A.)	2.5	←
Pilot air jet (P.A.J.1)	#120	←
Pilot outlet (P.O.)	1.5	←
Pilot jet (P.J.)	#40	#38
Bypass 1 (B.P.1)	1.0	←
Pilot screw (P.S.)	2	←
Valve seat size (V.S.)	1.2	←
Starter jet (G.S.1)	#10	←
Starter jet (G.S.2)	0.6	←
Fuel level (F.L.)	6.3 ~ 7.3 mm (0.25 ~ 0.29 in)	←
Engine idle speed	Above the dot mark 1,150 ~ 1,250 r/min	←
Intake vacuum	26.3 kPa (200 mmHg, 7.874 inHg)	←
Cooling system:		
Radiator core size		
Width	380 mm (15.0 in)	
Height	318 mm (12.5 in)	
Thickness	24 mm (0.95 in)	
Radiator cap opening pressure	95 ~ 125 kPa (0.95 ~ 1.25 kg/cm ² , 13.51 ~ 17.78 psi)	
Reservoir tank capacity	0.3 L (0.26 imp qt, 0.32 US qt)	
<From low to full level>	<0.2 L (0.18 imp qt, 0.21 US qt)>	
Water pump		
Type	Single suction centrifugal pump	
Reduction ratio	91/48×41/43(1.808)	

YZF750SP GENERAL SPECIFICATIONS

SPEC



YZF750SP GENERAL SPECIFICATIONS

Model	YZF750SP
Model code:	4HS6 (E) 4HB3 (AUS) 4HS5 (I)(B)(NL)(IRL)(GB) 4HT3 (D) 4JA3 (CDN)
Engine starting number:	4HS-007101 (E) 4HB-002101 (AUS) 4HS-005101 (I)(B)(NL)(IRL)(GB) 4HT-002101 (D) 4JA-002101 (CDN)
Vehicle identification:	JYA4HSS0 *SA007101 (E) JYA4HBT0 *SA002101 (AUS) JYA4JAN0 *SA002101 (CDN)
Frame starting number:	4HS-005101 (I)(B)(NL)(IRL)(GB) 4HT-002101 (D)
Basic weight: With oil and full fuel tank	218 kg (481 lb)
Radiator capacity (including all routes):	2.6 L (2.29 Imp qt, 2.75 US qt)
Spark plug: Type Manufacturer Spark plug gap	CR9E/U27ESR-N NGK/NIPPONDENSO 0.7 ~ 0.8 mm (0.028 ~ 0.031 in)
Tire pressure (cold tire): Maximum load-except motorcycle Loading condition A * front rear High-speed riding front rear	97 kg (214 lb) 112 kg (247 lb) (E) (I) 87kg (192 lb) (CDN) 0 kg ~ Maximum load (0 lb ~ Maximum load) 225 kPa (2.25 kg/cm ² , 32 psi) 250 kPa (2.5 kg/cm ² , 36 psi) * Load is the total weight of cargo, rider, passenger and accessories. 250 kPa (2.5 kg/cm ² , 36 psi) 290 kPa (2.9 kg/cm ² , 41 psi)

YZF750SP MAINTENANCE SPECIFICATIONS

SPEC



YZF750SP MAINTENANCE SPECIFICATIONS

ENGINE

Model	YZF750SP	
Carburetor:		
I. D. mark	4HS5	4HT3 (D)
Main jet (M.J.)	#125	#1,4:#128, #2,3:#125
Main air jet (M.A.J.)	#70	←
Jet needle (J.N.)	N1CB	N1CA
Cutaway (C.A.)	2.5	←
Pilot air jet (P.A.J.1)	#120	←
Pilot outlet (P.O.)	1.5	←
Pilot jet (P.J.)	#40	#38
Bypass 1 (B.P.1)	1.0	←
Pilot screw (P.S.)	2	←
Valve seat size (V.S.)	1.2	←
Starter jet (G.S.1)	#10	←
Starter jet (G.S.2)	0.6	←
Fuel level (F.L.)	6.3 ~ 7.3 mm (0.25 ~ 0.29 in)	←
Engine idle speed	Above the dot mark 1,150 ~ 1,250 r/min	←
Intake vacuum	26.3 kPa (200 mmHg, 7.874 inHg)	←
Cooling system:		
Radiator core size		
Width	380 mm (15.0 in)	
Height	318 mm (12.5 in)	
Thickness	24 mm (0.95 in)	
Radiator cap opening pressure	95 ~ 125 kPa (0.95 ~ 1.25 kg/cm ² , 13.51 ~ 17.78 psi)	
Reservoir tank capacity	0.3 L (0.26 Imp qt, 0.32 US qt)	
<From low to full level>	<0.2 L (0.18 Imp qt, 0.21 US qt)>	
Water pump		
Type	Single suction centrifugal pump	
Reduction ratio	91/48×41/43(1.808)	

YZF750SP MAINTENANCE SPECIFICATIONS



CHASSIS

Model	YZF750SP
Front suspension: Front fork travel Fork spring free length <Limit> Collar length Spring rate (K1) Stroke (K1) Optional spring Oil capacity Oil level Oil grade	120 mm (4.72 in) 269 mm (10.6 in) <264 mm (10.4 in)> 106 mm (4.2 in) 8.0 N/mm (0.8 kg/mm 44.8 lb/in) 0 ~ 120 mm (0.00 ~ 4.72 in) No 471 cm ³ (16.6 Imp oz, 15.9 US oz) 94 mm (3.7 in) Suspension oil "01" or equivalent
Rear suspension: Shock absorber travel Spring free length <Limit> Fitting length Spring rate (K1) Stroke (K1) Optional spring Enclosed gas / air pressure (STD)	70 mm (2.76 in) 160 mm (6.3 in) <157 mm (6.18 in)> 143 mm (5.63 in) 80 N/mm (8 kg/mm 448 lb/in) 0 ~ 70 mm (0.00 ~ 2.76 in) No 1,400 kPa (14 kg/cm ² , 199 psi)
Drive chain: Type / manufacturer No. of links Chain free play	532ZLV KAI/DAIDO 104 35 ~ 45 mm (1.4 ~ 1.8 in)

Tightening torques

Part to be tightened	Thread size	Tightening torque			Remarks
		Nm	m·kg	ft·lb	
Rear shock absorber remote controller and frame	M6	7	0.7	5.1	
Rear wheel axle	M24	150	15	110	
Brake disc and wheel	M8	23	2.3	17	

YZF750SP MAINTENANCE SPECIFICATIONS



ELECTRICAL

Model	YZF750SP
Voltage:	12 V
Ignition system: Ignition timing (B.T.D.C.) Advancer type	5° at 1,200 r/min Electrical type
T.C.I.: Pickup coil resistance / color T.C.I. unit model / manufacturer	135 ~ 165 Ω at 20°C (68°F) / Black - Gray TNDF28/NIPPONDENSO TNDF26/NIPPONDENSO (D)
Ignition coil: Model / manufacturer Minimum spark gap Primary winding resistance/color Secondary winding resistance	J0313/NIPPONDENSO 6 mm (0.24 in) 1.9 ~ 2.5 Ω at 20°C (68°F)/Red/White-Gray 12 ~ 18 kΩ at 20°C (68°F)
Flasher relay: Type Model / manufacturer Self cancelling device Flasher frequency Wattage	Full-transistor type FE246BH/NIPPONDENSO No 60 ~ 120 cycle/min 21 W × 2 + 3.4 W 27 W × 2 + 3.4 W (CDN)
Thermostatic switch: Model / manufacturer	3LN/NIHON THERMOSTAT
Circuit breaker: Type Amperage for individual circuit MAIN HEAD SIGNAL IGNITION FAN Reserve Reserve Reserve	Fuse 30 A × 1 20 A × 1 15 A × 1 20 A × 1 7.5 A × 2 20 A × 1 7.5 A × 1 15 A × 1

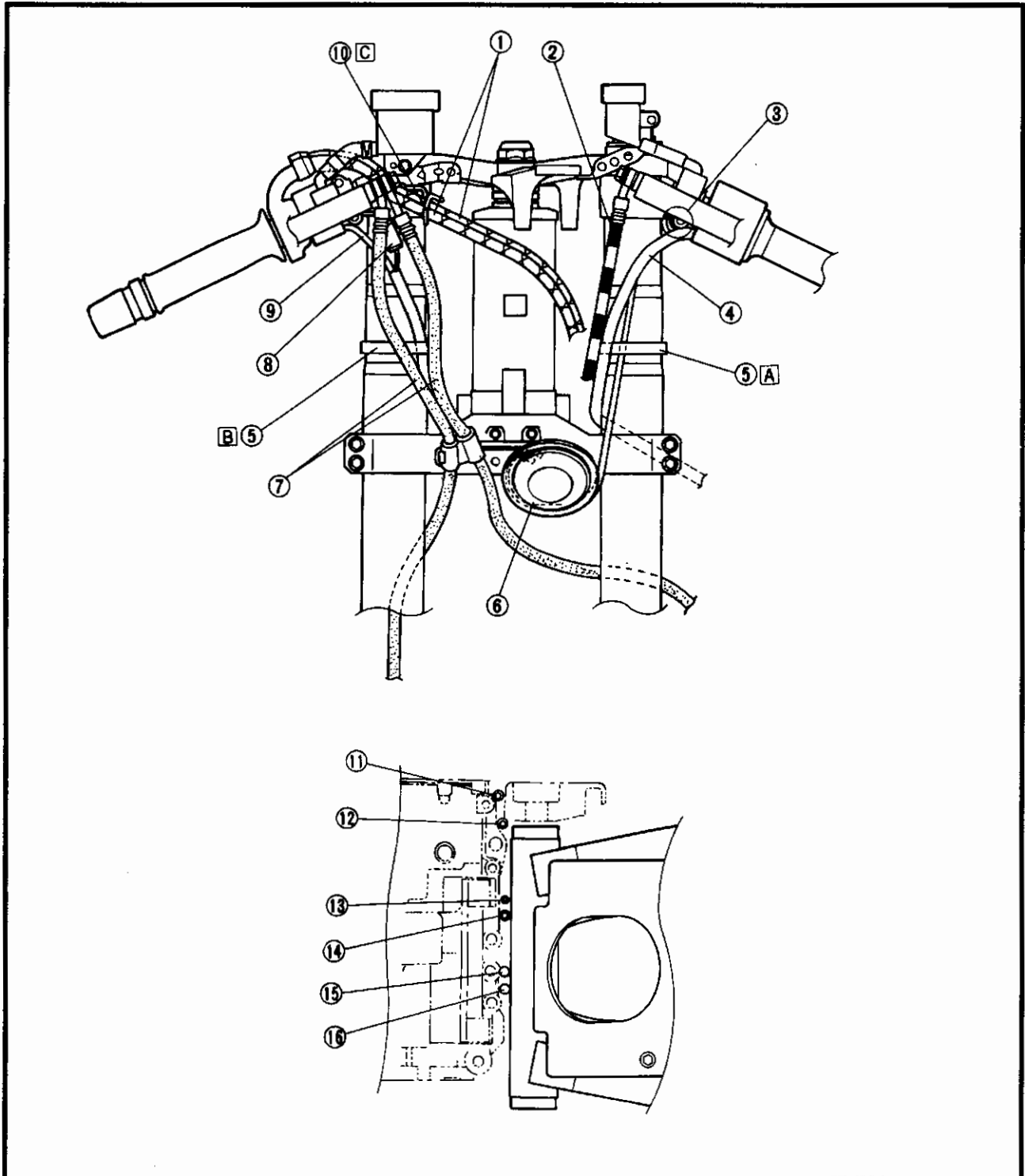


CABLE ROUTING

- ① Throttle cable
- ② Clutch hose
- ③ Clutch switch coupler
- ④ Handlebar switch lead (left)
- ⑤ Band
- ⑥ Horn
- ⑦ Brake hose
- ⑧ Brake switch coupler

- ⑨ Handlebar switch lead (right)
- ⑩ Wire guide
- ⑪ Fuel tank overflow hose
- ⑫ Rollover hose (for D)
- ⑬ Reservoir tank breather hose
- ⑭ Air filter case breather hose
- ⑮ EXUP cable

- Ⓐ Clamp the horn lead at the front fork.
- Ⓑ Clamp the handlebar switch lead (right) at the front fork.
- Ⓒ Pass the throttle cables through the wire guide.



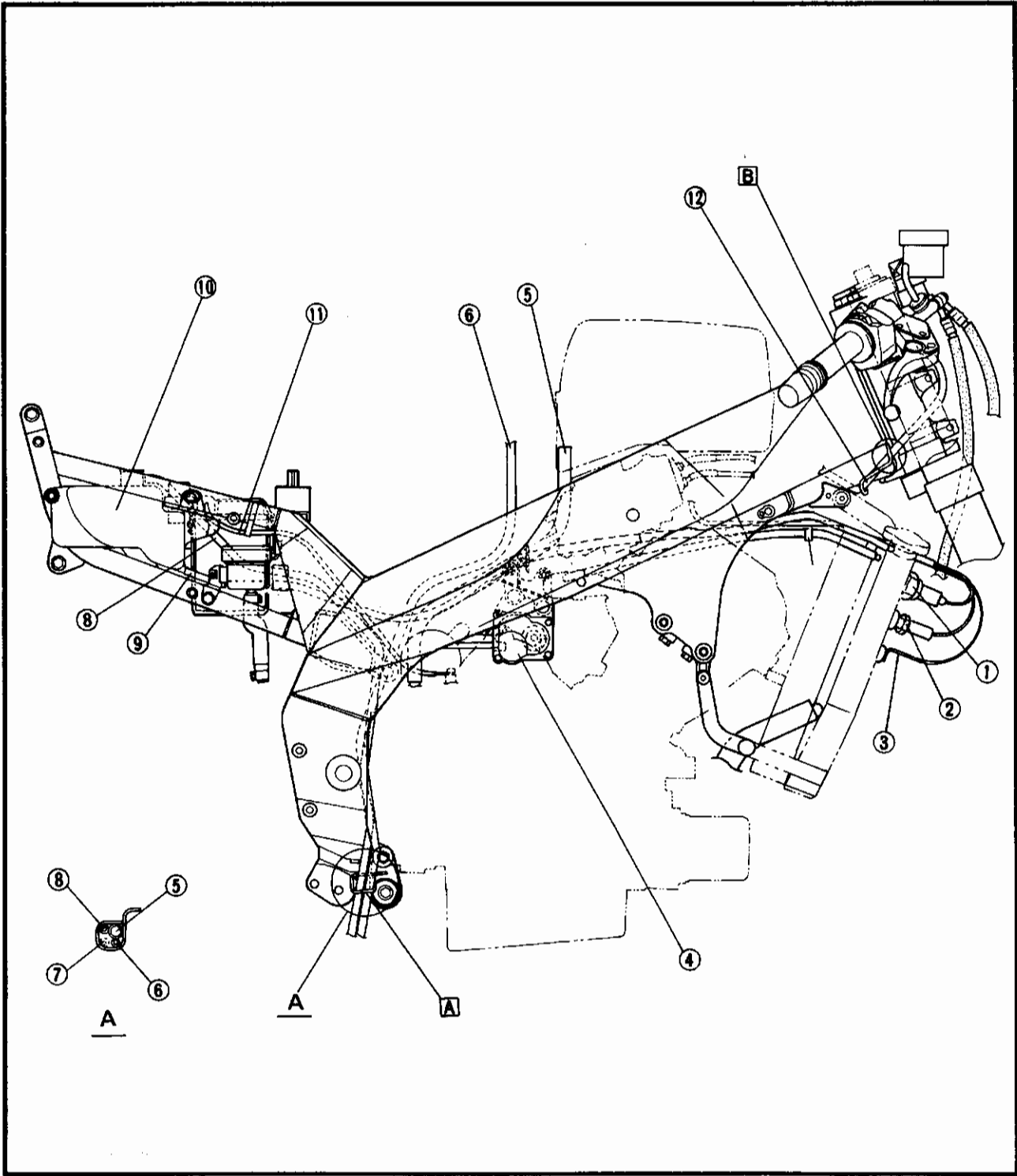
CABLE ROUTING



- ① Thermo unit
- ② Thermo switch
- ③ Ground lead
- ④ EXUP motor
- ⑤ Air filter case breather hose
- ⑥ Fuel tank breather hose
- ⑦ Rollover hose (for D)
- ⑧ Reservoir tank breather hose
- ⑨ Reservoir tank hose
- ⑩ Coolant reservoir tank

- ⑪ Ground lead
- ⑫ Handlebar switch lead (right)

- A** Pass the hoses through the guide.
- B** Clamp the handlebar switch lead (right).



CABLE ROUTING

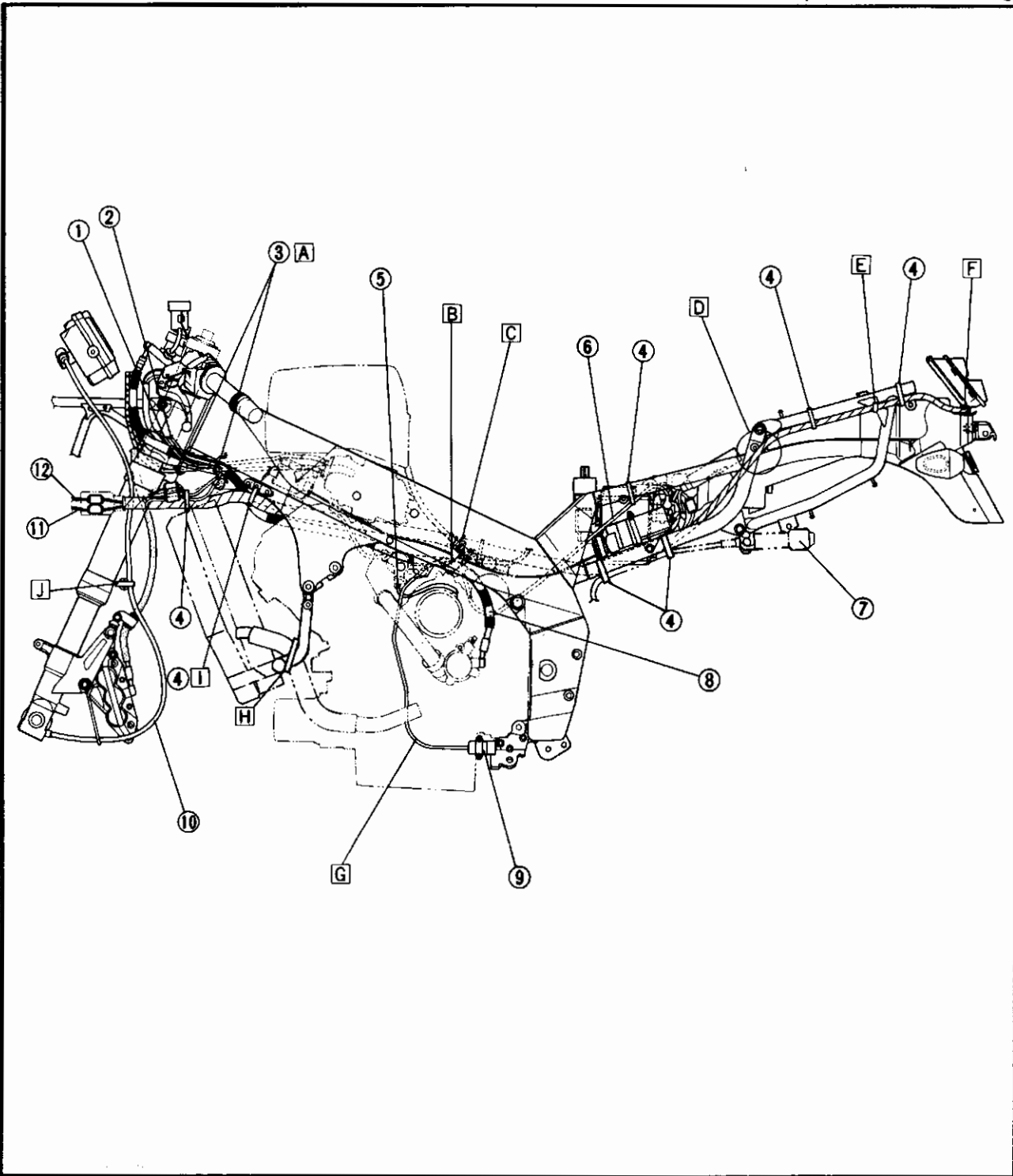
SPEC



- ① Handlebar switch lead (left)
- ② Main switch lead
- ③ Guide
- ④ Clamp
- ⑤ AC generator lead
- ⑥ Starter motor lead
- ⑦ Rear shock absorber remote controller (YZF750SP)
- ⑧ Clutch hose
- ⑨ Sidestand switch
- ⑩ Speedometer cable
- ⑪ Headlight lead

- ⑫ Meter light lead
- A Pass the clutch hose, main switch lead and handlebar switch lead (left) through the guide.
- B Clamp the clutch hose.
- C Clamp the wireharness at the color tape position.
- D Pass the main harness to the inside of the rear fender from the outside of the frame.

- E Insert the clamp into the hole in the rear frame.
- F Insert the clamp into the seat lock cover (YZF750R).
- G Locate the sidestand switch lead along the engine lead.
- H Clamp the radiator hose and radiator stay.
- I Clamp the main harness by passing the band through the hole in the stay.
- J Install the clamp to the center cowling.



CABLE ROUTING

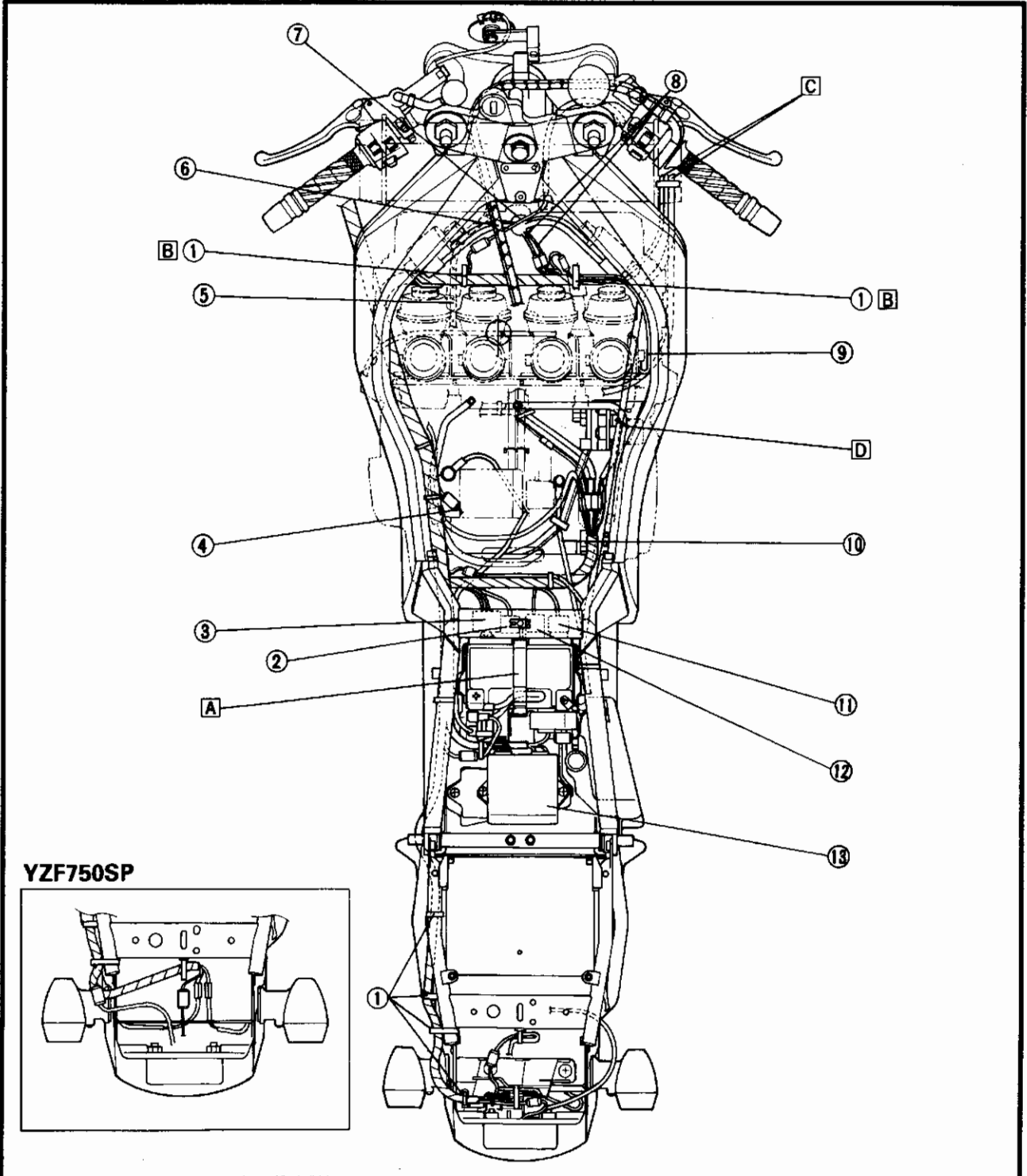
SPEC



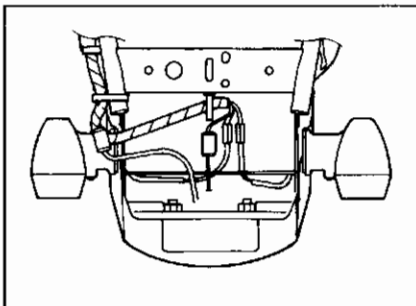
- ① Clamp
- ② Fuse (main)
- ③ Starting circuit cut-off relay
- ④ Fuel pump lead
- ⑤ Throttle cables (YZF750SP)
- ⑥ Throttle cables (YZF750R)
- ⑦ Handlebar switch lead (right)
- ⑧ Fan motor lead
- ⑨ TPS (throttle position sensor) lead
- ⑩ Ground lead
- ⑪ Oil level switch relay

- ⑫ Flasher relay
- ⑬ Ignitor unit

- A** Hold down the positive lead with the battery band.
- B** Insert the clamp to the cover.
- C** To radiator.
- D** Pass the crankcase breather hose and reservoir tank hose through the clamp at the EXUP motor.



YZF750SP

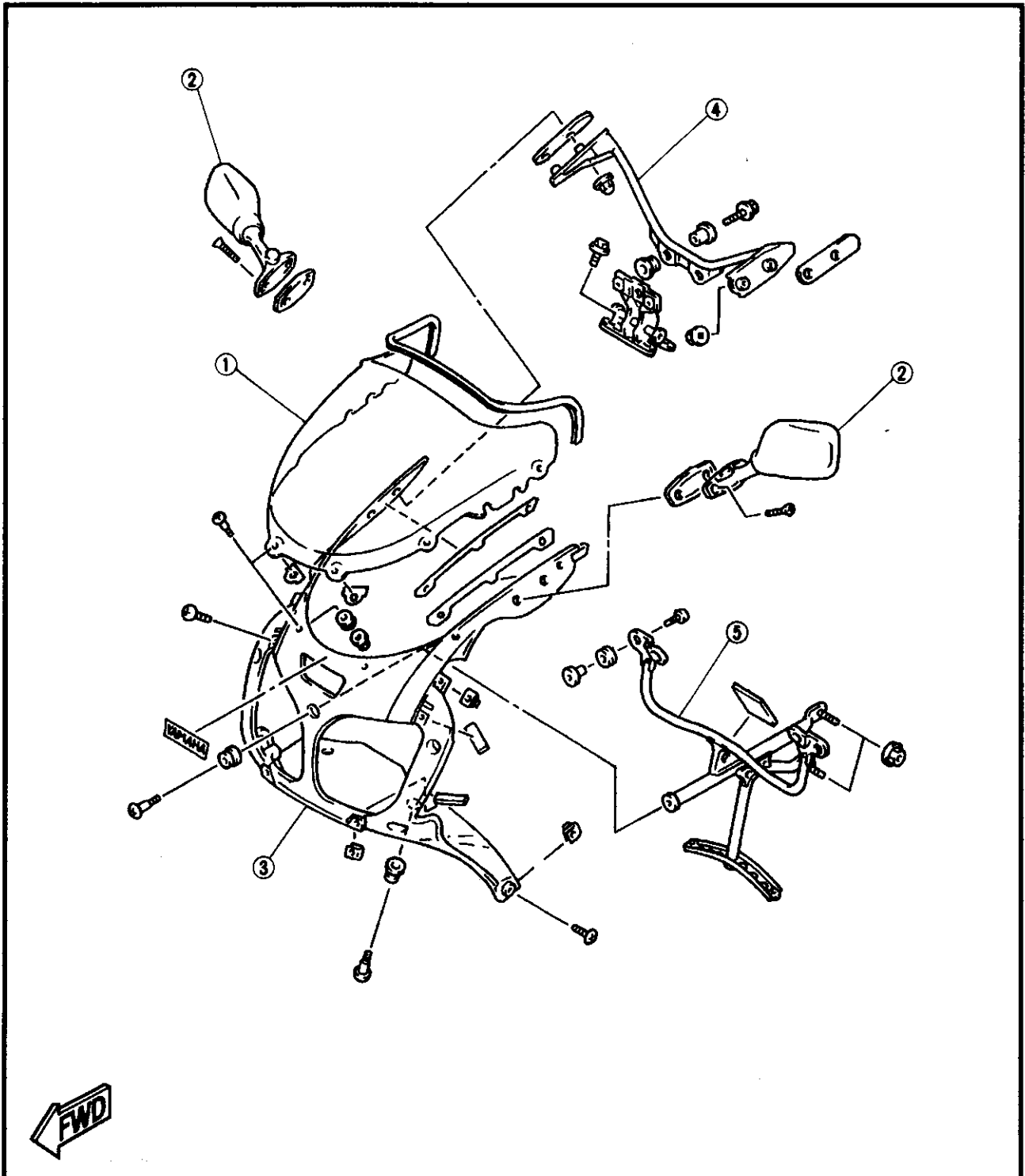




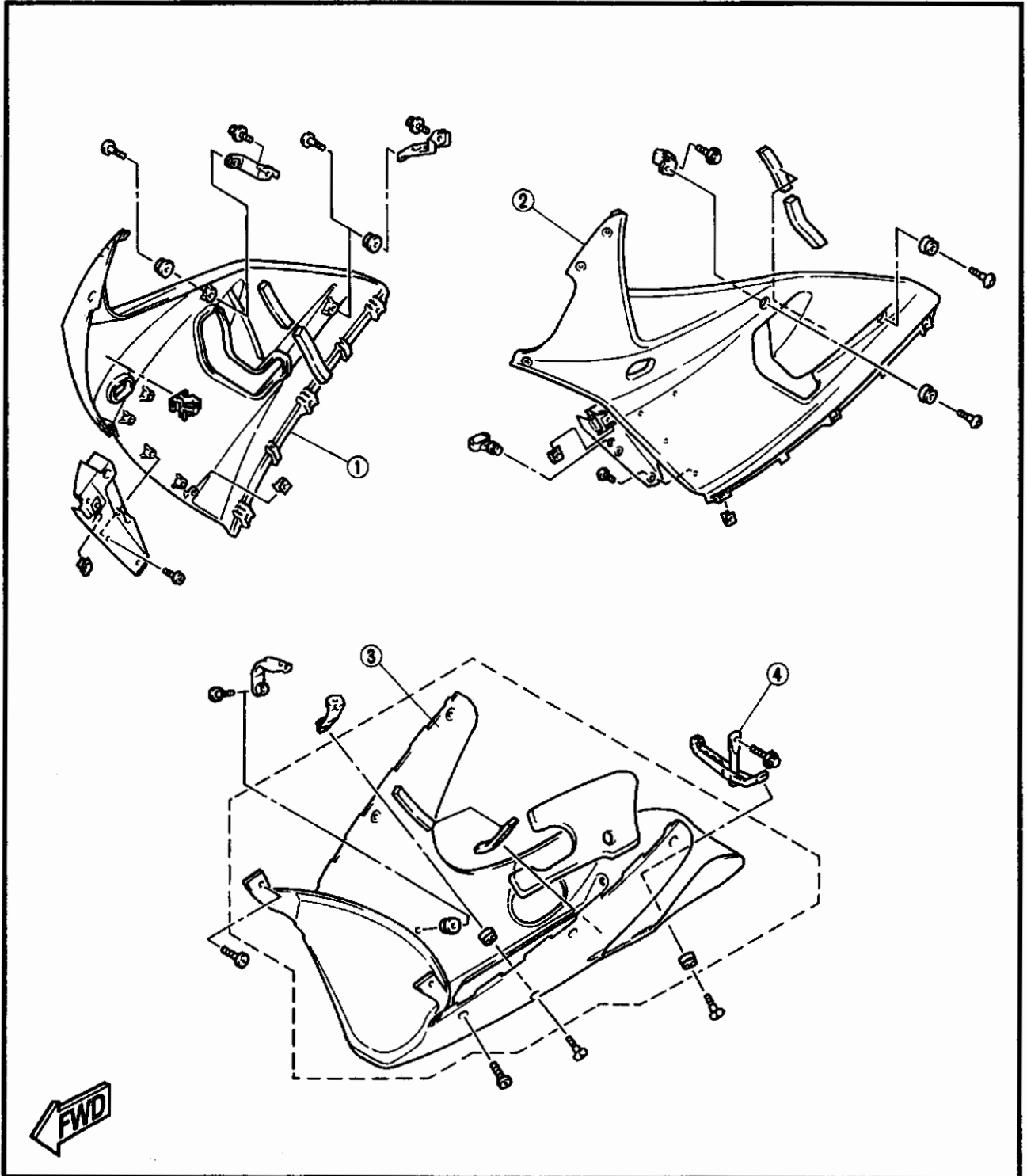
EXPLODED DIAGRAM

COWLINGS

- ① Wind shield
- ② Rear view mirror
- ③ Upper cowling
- ④ Cowling stay (upper)
- ⑤ Cowling stay (lower)



- ① Center cowling (right)
- ② Center cowling (left)
- ③ Lower cowling
- ④ Cowling stay



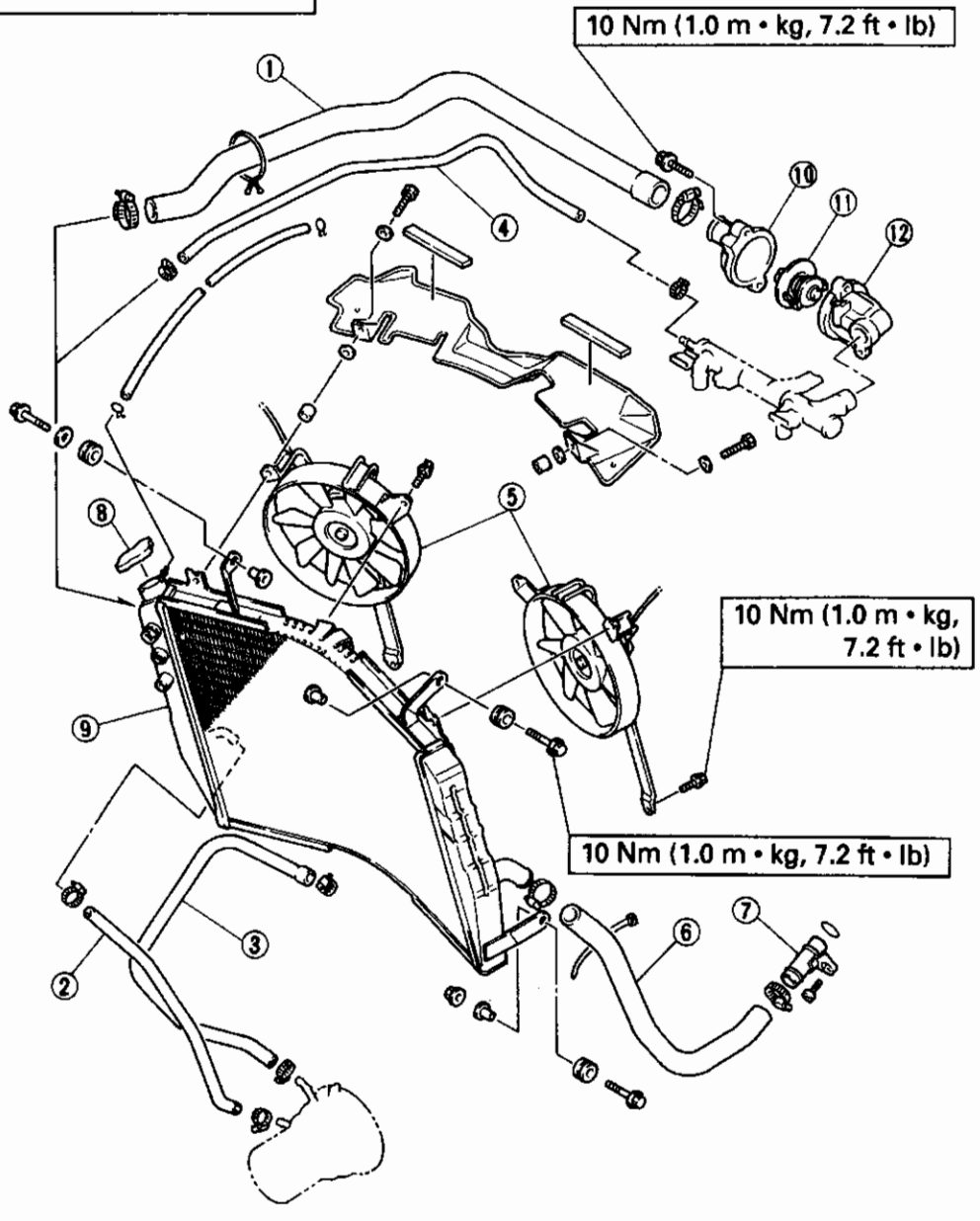
RADIATOR/OIL COOLER



RADIATOR/OIL COOLER

- ① Inlet hose (radiator)
- ② Inlet hose (oil cooler)
- ③ Outlet hose (oil cooler)
- ④ Breather hose
- ⑤ Fan motor assembly
- ⑥ Outlet hose (radiator)
- ⑦ Radiator pipe
- ⑧ Radiator cap
- ⑨ Radiator
- ⑩ Thermostatic valve cover
- ⑪ Thermostatic valve
- ⑫ Thermostatic valve housing

A	RADIATOR CAP OPENING PRESSURE: 95 ~ 125 kPa (0.95 ~ 1.25 kg/cm ² , 13.51 ~ 17.78 psi)
B	COOLANT CAPACITY: 2.6 L (2.29 Imp qt, 2.75 US qt) Including all routes



CARBURETOR

CARB

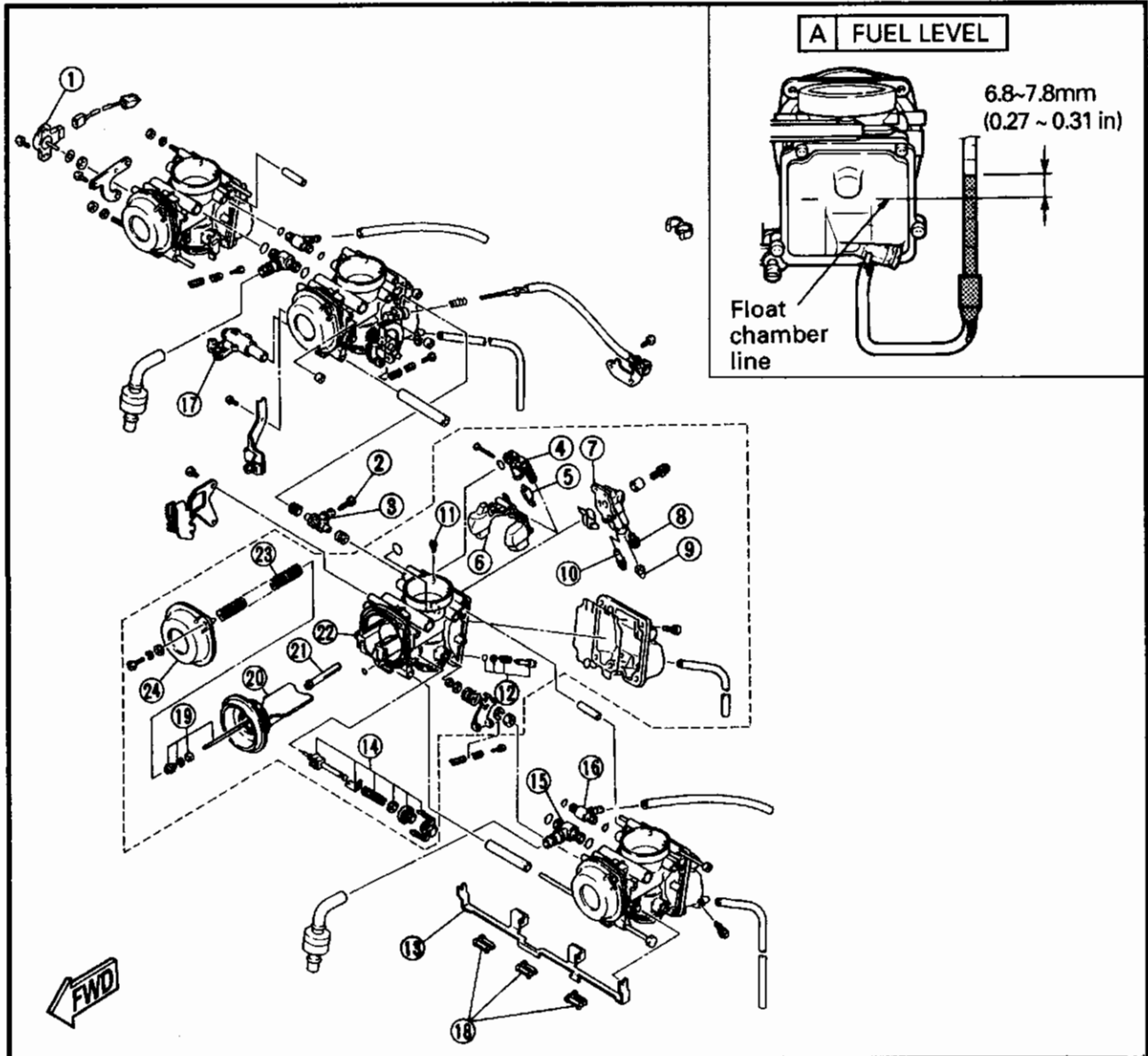


CARBURETOR

For YZF750R

- ① TPS (throttle position sensor)
- ② Fuel strainer
- ③ Joint (fuel feed)
- ④ Valve seat
- ⑤ Needle valve
- ⑥ Floats
- ⑦ Jet housing
- ⑧ Starter jet
- ⑨ Main jet
- ⑩ Pilot jet
- ⑪ Main air jet
- ⑫ Pilot screw set
- ⑬ Joint (starter lever)
- ⑭ Starter plunger set
- ⑮ Joint (airvent hose-vacuum chamber)
- ⑯ Joint (airvent hose-float chamber)
- ⑰ Starter joint
- ⑱ Stopper
- ⑲ Jet needle set
- ⑳ Piston valve
- ㉑ Needle jet
- ㉒ Piston valve support
- ㉓ Spring
- ㉔ Vacuum chamber cover

SPECIFICATIONS				
I. D. Mark	4HD10	4HN10	4FM10 (F)	4NR10 (CH)(A)
MAIN JET (#1, 4 cylinder) (#2, 3 cylinder)	#120	←	•#125	←
	#120	←	•#122.5	←
MAIN AIR JET (#1, 4 cylinder) (#2, 3 cylinder)	#60	←	#55	#45
	#110	←	#65	#60
PILOT JET	#45	←	#42.5	#35
PILOT AIR JET	#145	←	#120	←
JET NEEDLE (#1, 4 cylinder) (#2, 3 cylinder)	5CEX31	←	5CEU27	5CEX25
	6CEZ11	←	5CET26	5CEX25
PILOT SCREW	2-1/2 turns out	←	2 turns out	←
THROTTLE VALVE	#130	←	#125	#130
ENGINE IDLE SPEED	1,150~1,250 r/min			
FUEL LEVEL	6.8~7.8mm (0.27~0.31 in)			



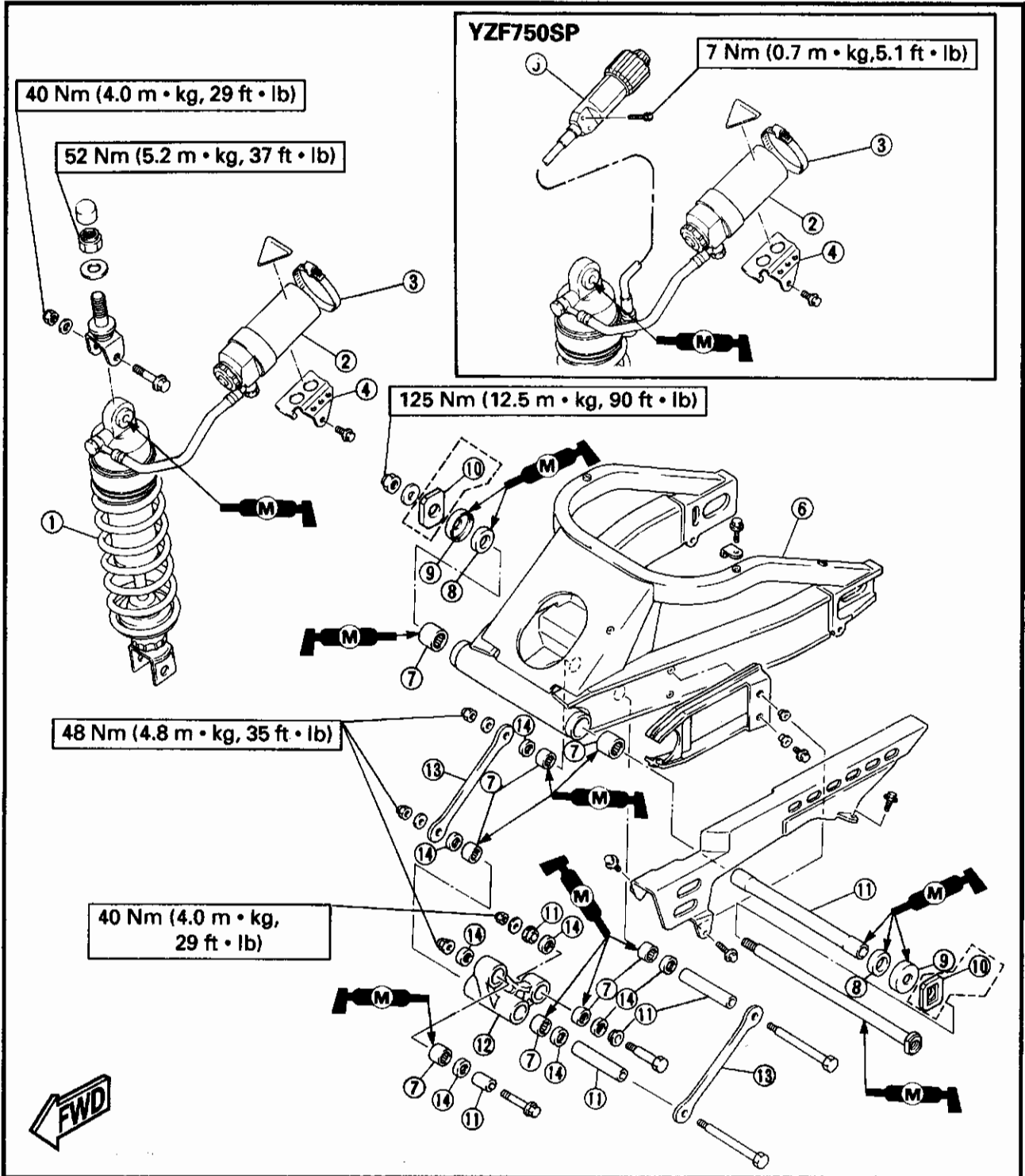
REAR SHOCK ABSORBER AND SWINGARM



REAR SHOCK ABSORBER AND SWINGARM

- ① Shock absorber
- ② Damping gas chamber
- ③ Band
- ④ Stay
- ⑤ Rear shock absorber remote controller (YZF750SP)
- ⑥ Swingarm
- ⑦ Bearing
- ⑧ Thrust washer/bearing
- ⑨ Thrust cover
- ⑩ Adjusting plate (YZF750SP)
- ⑪ Collar
- ⑫ Relay arm
- ⑬ Connecting rod
- ⑭ Oil seal

NOTE:
Coat the bearings, bushings, thrust covers, oil seals, and collars with a liberal amount of molybdenum disulfide grease before installing. After installing, thoroughly wipe off excess grease.



I

- ① Main switch
- ② A.C. Generator
- ③ Fuse (main)
- ④ Battery
- ⑤ Starter relay
- ⑥ Starter motor
- ⑦ Relay
- ⑧ Sidestand switch
- ⑨ Fuel pump
- ⑩ EXUP servo motor
- ⑪ Throttle position sensor
- ⑫ Ignitor unit
- ⑬ Ignition coil
- ⑭ Spark plug
- ⑮ Pick up coil
- ⑯ Gear position sensor
- ⑰ Thermo unit
- ⑱ Meter assembly
- ⑲ "TURN" indicator light
- ⑳ "HIGH BEAM" indicator light
- ㉑ Temperature meter
- ㉒ "NEUTRAL" indicator light
- ㉓ Tachometer
- ㉔ "OIL LEVEL" indicator light
- ㉕ Meter light
- ㉖ "FUEL LEVEL" indicator light
- ㉗ Rear flasher light
- ㉘ Front flasher light
- ㉙ Headlight (left)
- ㉚ Headlight (right)
- ㉛ Handlebar switch (left)
- ㉜ "LIGHTS" switch
- ㉝ "PASS" switch
- ㉞ "LIGHTS" (dimmer) switch
- ㉟ "HORN" switch
- ㊱ Horn
- ㊲ Clutch switch
- ㊳ "TURN" switch
- ㊴ Flasher relay
- ㊵ Tail/brake light
- ㊶ Licence light
- ㊷ Auxiliary light
- ㊸ Fan motor
- ㊹ Fuse (fan motor)
- ㊺ Thermo switch
- ㊻ Fuse (head)
- ㊼ Fuse (signal)
- ㊽ Fuse (ignition)
- ㊾ Rear brake switch
- ㊿ Oil level switch
- 1 Oil light relay
- 2 Handlebar switch (right)
- 3 Front brake switch
- 4 "ENGINE STOP" switch
- 5 "START" switch

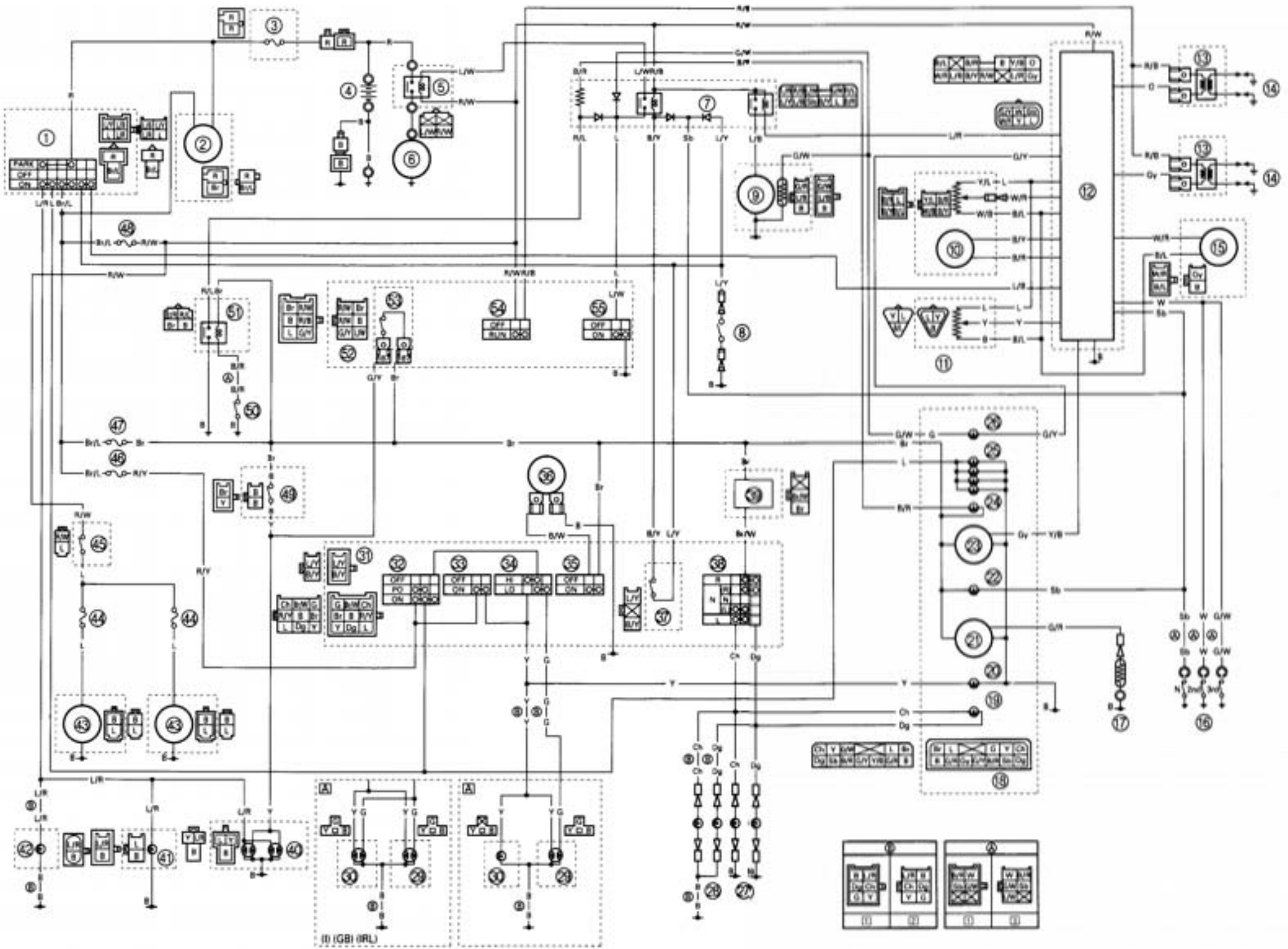
- 1 Main harness
- 2 Headlight cord
- 3 GPS lead

II

- ① Main switch
- ② A.C. Generator
- ③ Fuse (main)
- ④ Battery
- ⑤ Starter relay
- ⑥ Starter motor
- ⑦ Relay
- ⑧ Sidestand switch
- ⑨ Fuel pump
- ⑩ EXUP servo motor
- ⑪ Throttle position sensor
- ⑫ Ignitor unit
- ⑬ Ignition coil
- ⑭ Spark plug
- ⑮ Pick up coil
- ⑯ Gear position sensor
- ⑰ Thermo unit
- ⑱ Meter assembly
- ⑲ "TURN" indicator light
- ⑳ "HIGH BEAM" indicator light
- ㉑ Temperature meter
- ㉒ "NEUTRAL" indicator light
- ㉓ Tachometer
- ㉔ "OIL LEVEL" indicator light
- ㉕ Meter light
- ㉖ "FUEL LEVEL" indicator light
- ㉗ Rear flasher light
- ㉘ Front flasher light
- ㉙ Headlight (left)
- ㉚ Headlight (right)
- ㉛ Handlebar switch (left)
- ㉜ "PASS" switch (for AUS, NL)
- ㉝ "LIGHTS" (dimmer) switch
- ㉞ "HORN" switch
- ㉟ Horn
- ㊱ Clutch switch
- ㊲ "TURN" switch
- ㊳ Flasher relay
- ㊴ Tail/brake light
- ㊵ Licence light
- ㊶ Fan motor
- ㊷ Fuse (fan motor)
- ㊸ Thermo switch
- ㊹ Fuse (head)
- ㊺ Fuse (signal)
- ㊻ Fuse (ignition)
- ㊼ Rear brake switch
- ㊽ Oil level switch
- ㊾ Oil light relay
- ㊿ Handlebar switch (right)
- 1 Front brake switch
- 2 "ENGINE STOP" switch
- 3 "START" switch

- 1 Main harness
- 2 Headlight cord
- 3 GPS lead

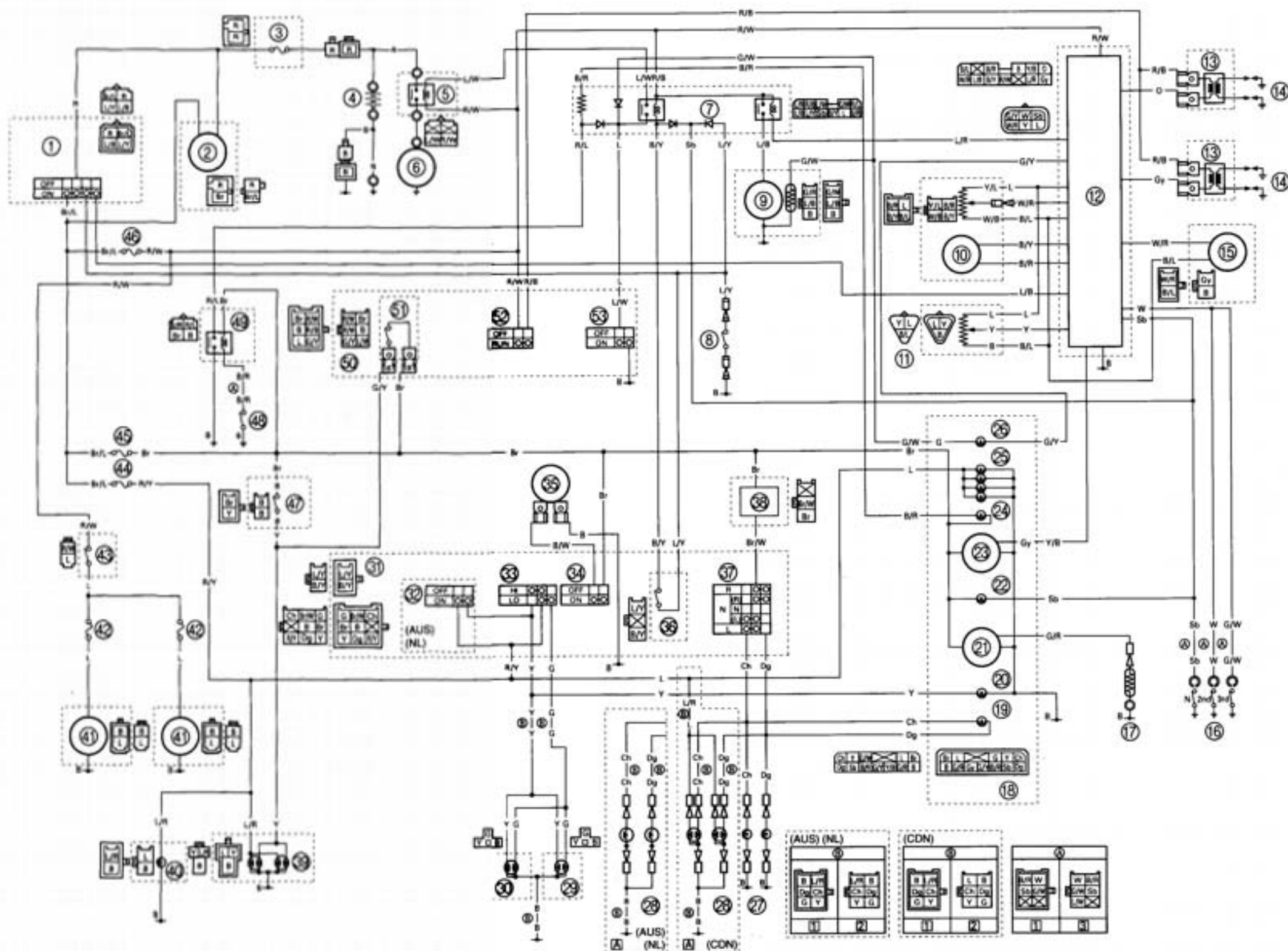
YZF750R/YZF750SP WIRING DIAGRAM (FOR EUROPE)



COLOR CODE

B Black	L Blue	B/L Black/Blue	G/R Green/Red	L/Y Blue/Yellow	W/R White/Red
Br Brown	O Orange	B/R Black/Red	G/Y Green/Yellow	R/B Red/Black	Y/B Yellow/Black
Ch Chocolate	R Red	B/W Black/White	G/W Green/White	R/L Red/Blue	Y/L Yellow/Blue
Dg Dark green	Sb Sky blue	B/Y Black/Yellow	L/B Blue/Black	R/W Red/White	
G Green	W White	Br/L Brown/Blue	L/R Blue/Red	R/Y Red/Yellow	
Gy Gray	Y Yellow	Br/W Brown/White	L/W Blue/White	W/B White/Black	

YZF750R/YZF750SP WIRING DIAGRAM (EXCEPT FOR EUROPE)



COLOR CODE

B..... Black	L..... Blue	B/L..... Black/Blue	G/R..... Green/Red	L/Y..... Blue/Yellow	W/R..... White/Red
Br..... Brown	O..... Orange	B/R..... Black/Red	G/Y..... Green/Yellow	R/B..... Red/Black	Y/B..... Yellow/Black
Ch..... Chocolate	R..... Red	B/W..... Black/White	G/W..... Green/White	R/L..... Red/Blue	Y/L..... Yellow/Blue
Dg..... Dark green	Sb..... Sky blue	B/Y..... Black/Yellow	L/B..... Blue/Black	R/W..... Red/White	
G..... Green	W..... White	Br/L..... Brown/Blue	L/R..... Blue/Red	R/Y..... Red/Yellow	
Gy..... Gray	Y..... Yellow	Br/W..... Brown/White	L/W..... Blue/White	W/B..... White/Black	

YAMAHA MOTOR CO.,LTD.

PRINTED ON RECYCLED PAPER

PRINTED IN JAPAN
95 × 1 - 1.5 × 1 CR
(英)