

PARTS CATALOGUE
MODEL YEAR 1997
YZF 750
YZF 750RJ/RJC (4LES)U49

OWNER'S	LIT-11626-10-65
ASSEMBLY	LIT-11666-09-71
SERVICE	LIT-11616-ZF-75

COLOR CODE	COLOR NAME	PART NUMBER
390-A	BLUISH WHITE COCKTAIL 1	TU-PNT-93003-T3-90 BC-PNT-93001-T3-90
121	VIVID RED COCKTAIL 1	QT-BC-PNT-92001-KT-21 QT-CC-PNT-92002-KT-21 QT-TU-PNT-92003-KT-21
078	BLUISH BLACK2	TU-PNT-94000T0-78
048	BLACK 2	TU-PNT-92000-T0-48

FOREWORD

-INTRODUCTION- To The Yamaha Parts Fiche

This parts fiche lists parts and sub-assemblies for the YZF750R/RJC. When preparing a parts order, please refer to the most recently updated microfiche for this model.

THE YAMAHA PARTS FICHE

SYMBOLS

[]	Inactive, no longer available
U.R.	Use size (thickness) and/or number as required
U.N.	Use as many as you need
T	Number of teeth in a gear
V	Voltage for light bulbs
S	"S" type oil seal or "S" type circlip
SD,SO,SW	"SD", "SO", or "SW" type oil seal
E,R	"E" or "R" type circlip
F/No.	Frame No. (Applicable Machine No.)
L.M.	Locally made
O.L.	Obtain locally
AP	Alternate Part

SUPERSEDED PART NUMBERS

If part 'A' has been superseded by part 'B', the superseding part number "B" will appear in the part number listing with the superseded part number "A" appearing in parentheses immediately following the description.

EXAMPLE:

Ref. No.	Part No.	Description	Qty.
8	(Part 'B') 123-45678-00-00	(Part 'A') CYLINDER (111-12345-00-00)	1

A part that has been supersede to a kit may be identified by a 99999-00000-00 part number appearing in the part number column. The old superseded part number will appear in parentheses immediately following the description. Listed directly below the 99999 part number will be those parts making up the kit. The description of the parts making up the kit will be preceded by a small black dot (.) and the description will be indented one letter space.

EXAMPLE:

Ref. No.	Part No.	Description	Qty.
8	99999-12345-00	CYLINDER (111-12345-00-00)	1
	234-56789-00-00	• HEAD, CYLINDER	1

SIZES

Except for steel balls (ball sizes are indicated in inches), all parts sizes are indicated in millimeters as in the following examples:

Hose (Rubber or Vinyl)	Inside Diameter - Length
O-Ring	Section Area - Inside Diameter
Washer, Shim, Collar	Inside Diameter - Outside Diameter Thickness (Length)

ASSEMBLIES AND COMPONENT PARTS

Assemblies and their component parts, are identified by an indention of one letter space, and the description is preceded by a dot (.). If two main assemblies are listed, and have the same basic description (i.e.: left and right sides of the same assembly), one will immediately follow the other. If each of these main assemblies is made up of almost the same components, these component parts will be listed immediately under the second main assembly line and will be indicated, as noted above.

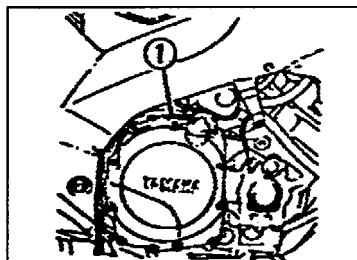
If the component is the same for both main assemblies, the quantity indicated will be the total required. If the component is not the same for both main assemblies, the quantity for each separate item will be listed separately.

EXAMPLE:

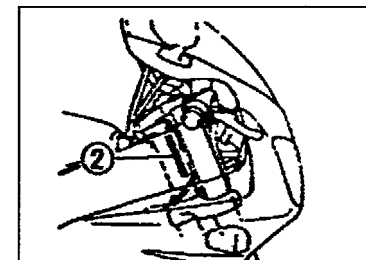
Description	Qty
CARBURETOR ASSY, LEFT	1
CARBURETOR ASSY, RIGHT	1
. JET, PILOT	2
. NOZZLE, MAIN	2
. LEVER, STARTER, LEFT	1
. LEVER, STARTER, RIGHT	1

APPLICABLE SERIAL NO.

(1) Engine Serial No.



(2) Frame Serial No.

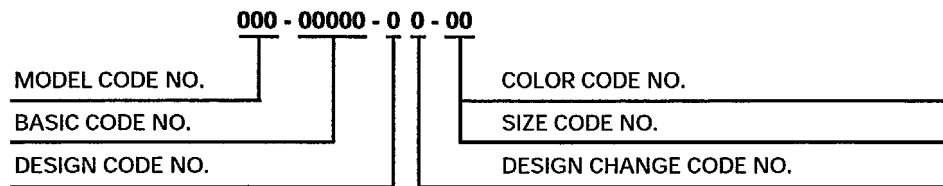


FOREWORD

THE YAMAHA PART NUMBER

The Yamaha part number consists of 12 digits. Each number represents a specific piece of information relating to a replacement part. The following is a guide for reading and interpreting the Yamaha part number.

BASIC PART NUMBER CONFIGURATION:



MODEL CODE NUMBER

FIRST THREE DIGITS . . . 000-00000-00-00

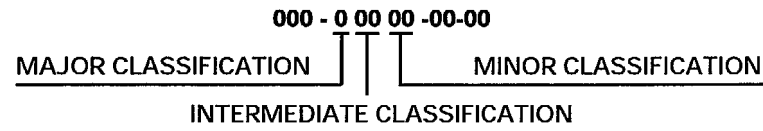
Every model in each Yamaha product line is assigned a model number to identify that particular model. All component parts are given the model code number relating to the model on which they were first used.

Example: 4DU-00000-00-00 identifies the XJ600SE.
 3FA-00000-00-00 identifies the YFA1E.

BASIC CODE NUMBER

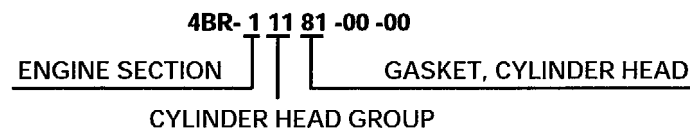
MIDDLE FIVE DIGITS . . . 000-00000-00-00

These "Middle Five Digits" indicate the type of part i.e., piston, rings, lower units, etc. The five digits are broken down as follows:



The "Major Classification" indicates the section to which the parts belong, i.e., engine, electrical etc. The "Intermediate" and "Minor Classifications" indicate more specific details.

Example:



DESIGN CODE NUMBER: 000-00000-00-00

The design code distinguishes like component parts from one another when specification differences are involved. For example, distinguishing a standard size piston ring from an oversized piston ring.

Example:

4BR-11610-0 0-00 Standard Piston Ring Set for XJ600SE
 4BR-11610-2 0-00 Oversize Piston Ring Set for XJ600SE

DESIGN CHANGE CODE NUMBER: 000-00000-00-00

This code number is used to identify a difference between a new component part and old one when a new part is created by changing the old one.

Example: YFZ350E

2GU-11610-0 0 -00 PISTON RING SET, STD. - ORIGINAL
 2GU-11610-0 1 -00 PISTON RING SET, STD. - FIRST DESIGN CHANGE

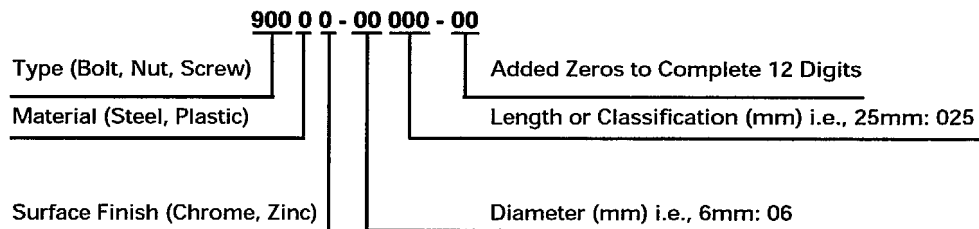
Only major changes to performance, durability, quality, appearance, cost or interchangeability will affect a part number change.

COLOR CODE & SIZE CODE NUMBER: 000-00000-00-00

When applicable, the last two digits of the part number identify:

1. Color Code: The painted color or type of plating or surface treatment used on certain parts.
2. Size Code: The last two digits are also used to show the size of parts (mm). Such as the thickness of shims or the size of pistons.

HARDWARE (Fastener) PART NUMBER CONFIGURATION:



TYPE:

A fastener part number always begins with the number "9" followed by either a 0, 1, 2, 3, 4, 5, 6, 7 or 8 designating one of eight major divisions within this group.

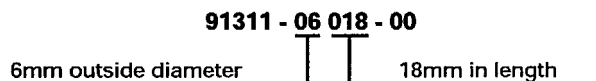
FOREWORD

Example:

- 9 0 000-00000-00 "0" designates various types.
- 9 1 000-00000-00 "1" designates bolts, cotter pins, etc.
- 9 2 000-00000-00 "2" designates screw, nuts, etc.
- 9 3 000-00000-00 "3" designates oil seals, o-rings, bearings, etc.
- 9 4 000-00000-00 "4" designates spark plugs.
- 9 5 000-00000-00 "5" designates bolts and nuts.
- 9 7 000-00000-00 "7" designates ISO bolts.
- 9 8 000-00000-00 "8" designates ISO screws and nuts.

The only major divisions which the mechanic should become familiar with are those related to the general hardware (nuts, bolts, and washers), since these are the most commonly used and most often replaced items. By knowing how to interpret the part number, the dimensions of a piece of hardware can be determined. This can be very helpful during major engine repair, and general parts replacement.

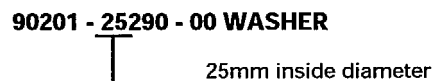
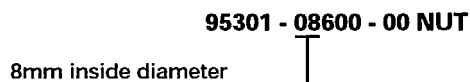
BOLT EXAMPLE:



EXCEPTION:

It is NOT possible to identify the LENGTH of bolts having a 901 prefix. Only the bolt diameter can be identified with this number.

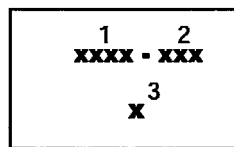
NUT AND WASHER EXAMPLE:



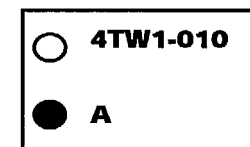
-MODEL LABEL-

A label called "Model Label" is affixed in the location as indicated in (3) below. When using this parts catalogue, please be sure to cross-reference the "model code - production code No." in the catalogue to the "model code - production code No." indicated on the Model Label affixed onto the product concerned.

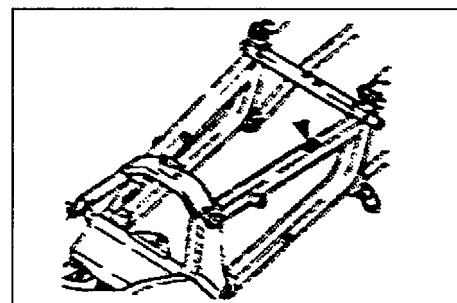
"MODEL LABEL" INDICATION



- 1 Model Type Code
- 2 Production Code No
- 3 Coloring Type



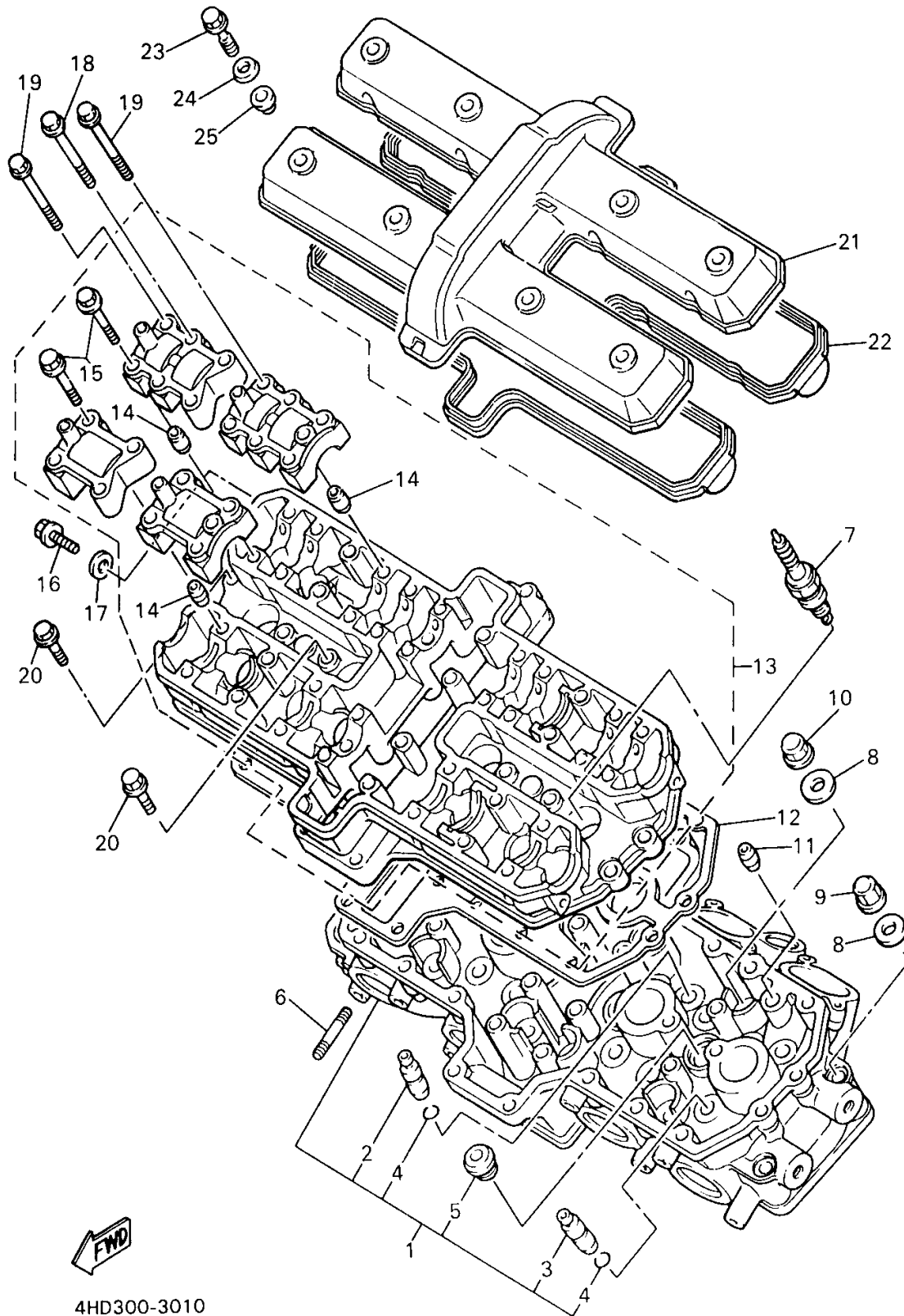
MODEL LABEL AFFIXING LOCATION



MODEL CODE - PRODUCTION CODE NUMBER OF MODEL LISTED IN THIS PARTS CATALOG

Model Code	Production Code No.	Country (destination)
4LE5	010	U49
4LE6	010	CALIFORNIA

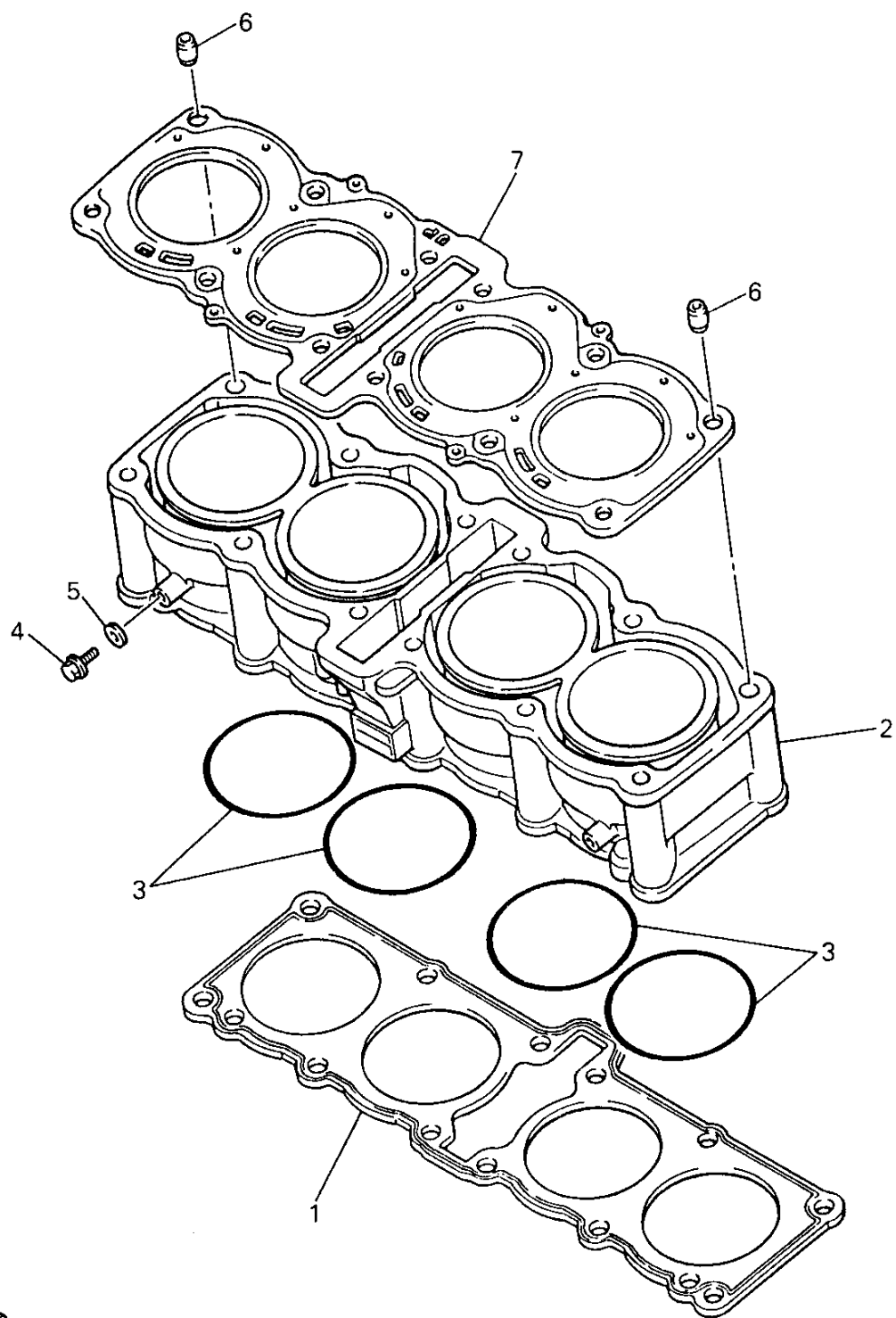
CYLINDER HEAD



Ref. No.	Part Number	Description	Qty	Remarks
1	4FM-11102-00-00	CYLINDER HEAD ASSEMBLY .	1	
2	3GM-11133-10-00	. GUIDE, INTAKE VALVE	12	
3	3GM-11134-10-00	. GUIDE, EXHAUST VALVE	8	
4	93440-10153-00	. CIRCLIP	20	
5	90340-18101-00	. .PLUG, STRAIGHT SCREW	4	
6	95617-08625-00	.BOLT, STUD	8	
7	NGK-CR9E0-00-00	PLUG, SPARK (NGK R CR9E)	4	UR
8	90201-103M4-00	WASHER, PLATE	12	
9	90176-10075-00	NUT, CROWN	4	
10	90179-10584-00	NUT	8	
11	91810-25008-00	PIN, DOWEL	2	
12	3FV-11182-00-00	GASKET, CYLINDER HEAD 2	1	
13	4FM-1115A-00-00	CAM CASE ASSEMBLY	1	
14	99510-08016-00	. PIN, DOWEL	16	
15	90105-06153-00	. .BOLT, FLANGE	16	
16	95027-06012-00	BOLT, FLANGE	1	
17	90430-06014-00	.GASKET	1	
18	90105-06541-00	BOLT, WASHER BASED	20	
19	90105-06693-00	BOLT, WASHER BASED	4	
20	95027-06025-00	BOLT, FLANGE	11	
21	3GM-11191-00-00	COVER, CYLINDER HEAD 1	1	
22	3GM-11193-00-00	GASKET, HEAD COVER 1	1	
23	90109-064F0-00	BOLT	8	
24	90209-11262-00	WASHER	8	
25	2GH-1111G-00-00	RUBBER, MOUNT 1	8	

4HD300-3010

CYLINDER

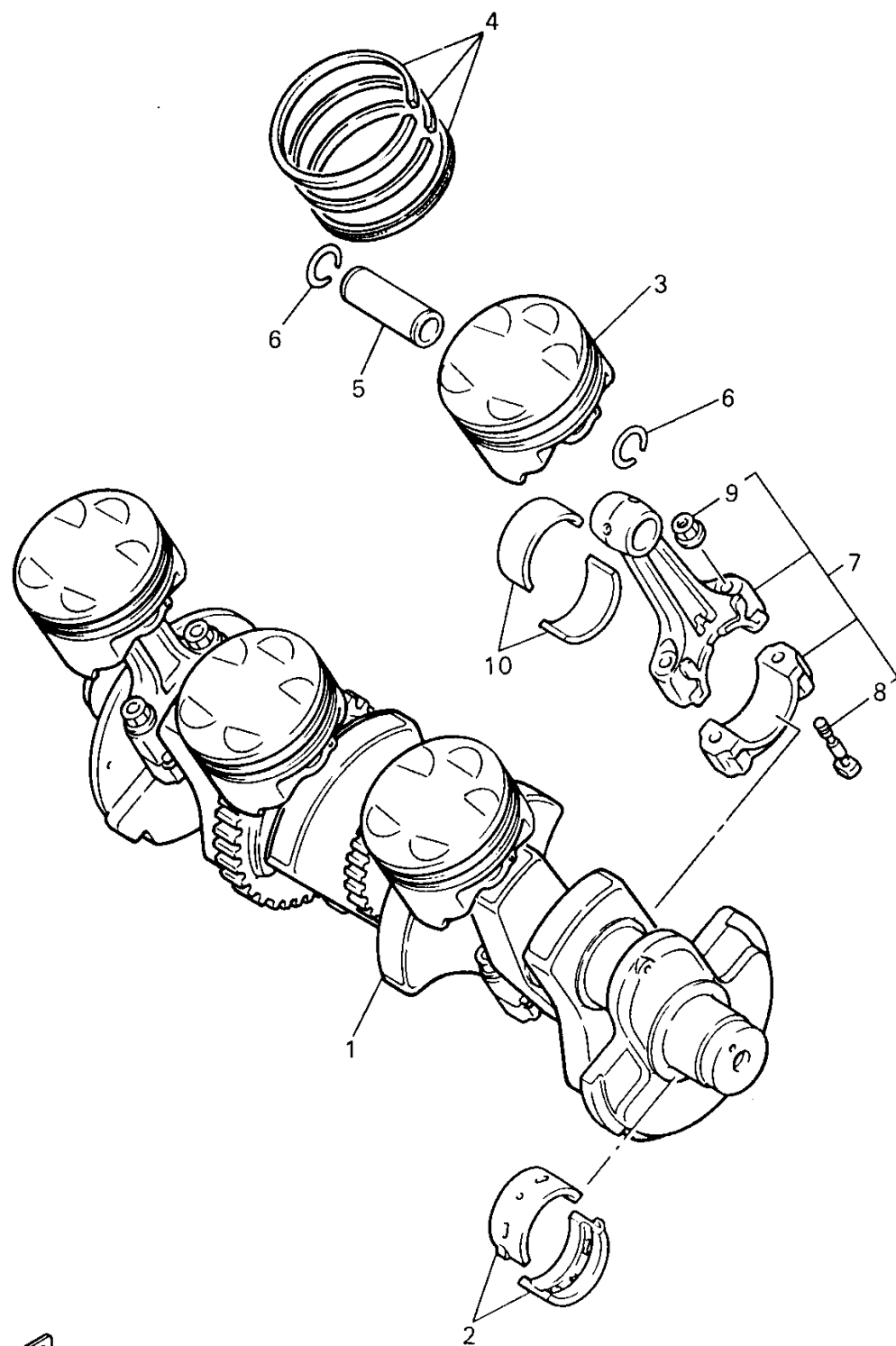


Ref. No.	Part Number	Description	Qty	Remarks
1	3FV-11351-00-00	GASKET, CYLINDER	1	
2	4FM-11310-00-00	CYLINDER	1	
3	93210-76211-00	O-RING	4	
4	95027-06012-00	BOLT, FLANGE	2	
5	90430-06014-00	.GASKET	2	
6	99530-14016-00	PIN, DOWEL	2	
7	3FV-11181-00-00	GASKET, CYLINDER HEAD 1	1	



4HD300-3020

CRANKSHAFT - PISTON

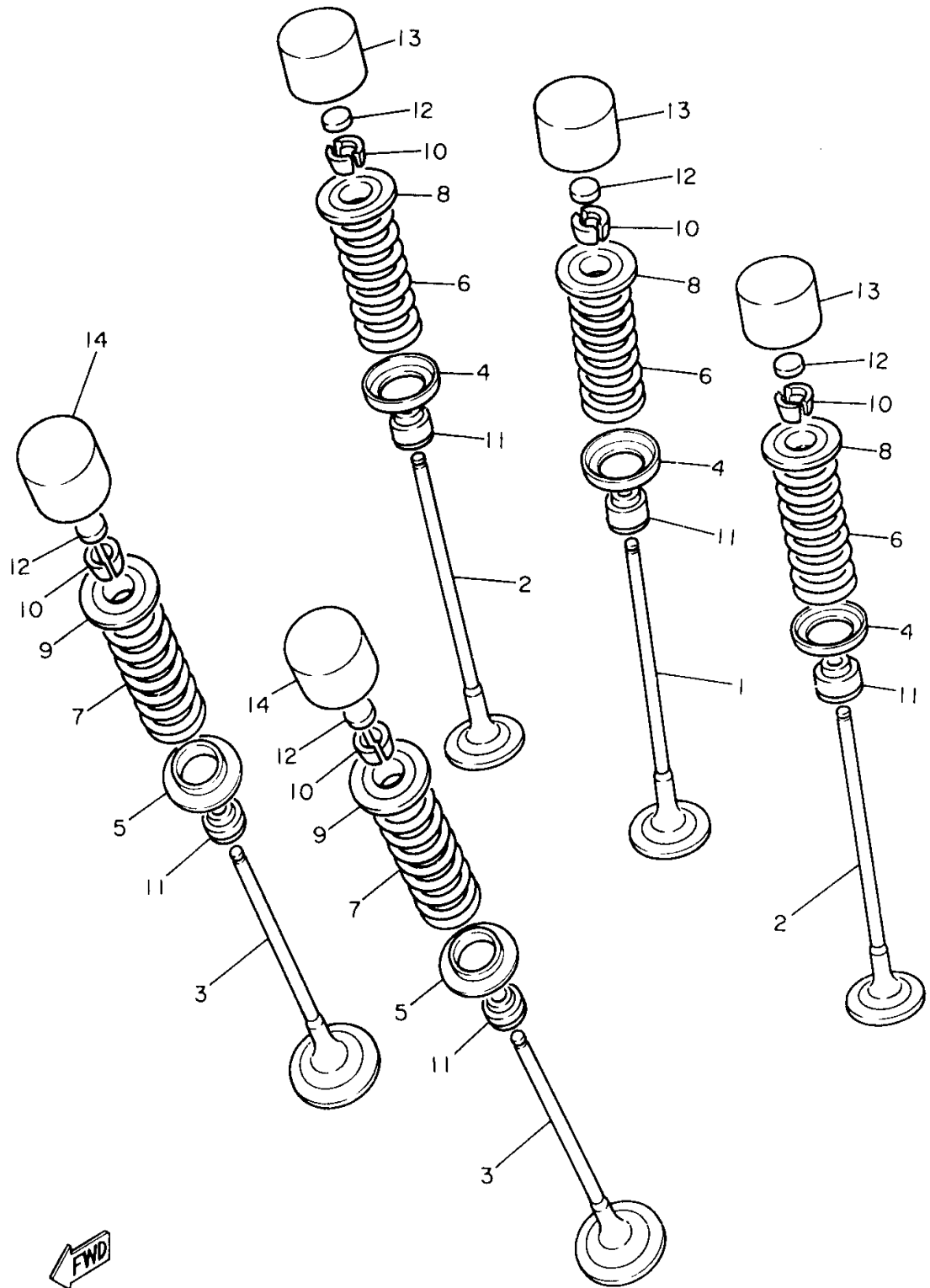


Ref. No.	Part Number	Description	Qty	Remarks
1	4FM-11411-00-00	CRANKSHAFT	1	
2	3GM-11416-00-00	PLANE BEARING, CRANKSHAFT 1	10	UR BLUE
	3GM-11416-20-00	PLANE BEARING, CRANKSHAFT 1	10	UR BROWN
	3GM-11416-30-00	PLANE BEARING, CRANKSHAFT 1	10	UR GREEN
	3GM-11416-10-00	PLANE BEARING, CRANKSHAFT 1	10	UR BLACK
	3GM-11416-40-00	PLANE BEARING, CRANKSHAFT 1	10	UR YELLOW
3	4FM-11631-00-A0	PISTON (STD)	4	
	4FM-11636-00-00	PISTON (0.50MM O/S)	4	AP
4	4FM-11603-00-00	PISTON RING SET (STD)	4	
	4FM-11605-00-00	PISTON RING SET (0.50MM O/S)	4	AP
5	3GM-11633-00-00	PIN, PISTON	4	
6	93450-19095-00	CIRCLIP	8	
7	4FM-11650-01-00	CONNECTING ROD ASSEMBLY	4	
8	36Y-11654-00-00	. BOLT, CONNECTING ROD ..	2	
9	90179-08327-00	. NUT, SPEC'L SHAPE	2	
10	3GM-11656-00-00	PLANE BEARING, CONNECTING ROD	8	UR BLUE
	3GM-11656-10-00	PLANE BEARING, CONNECTING ROD	8	UR BLACK
	3GM-11656-20-00	PLANE BEARING, CONNECTING ROD	8	UR BROWN
	3GM-11656-30-00	PLANE BEARING, CONNECTING ROD	8	UR GREEN



4HD300-3030

VALVE



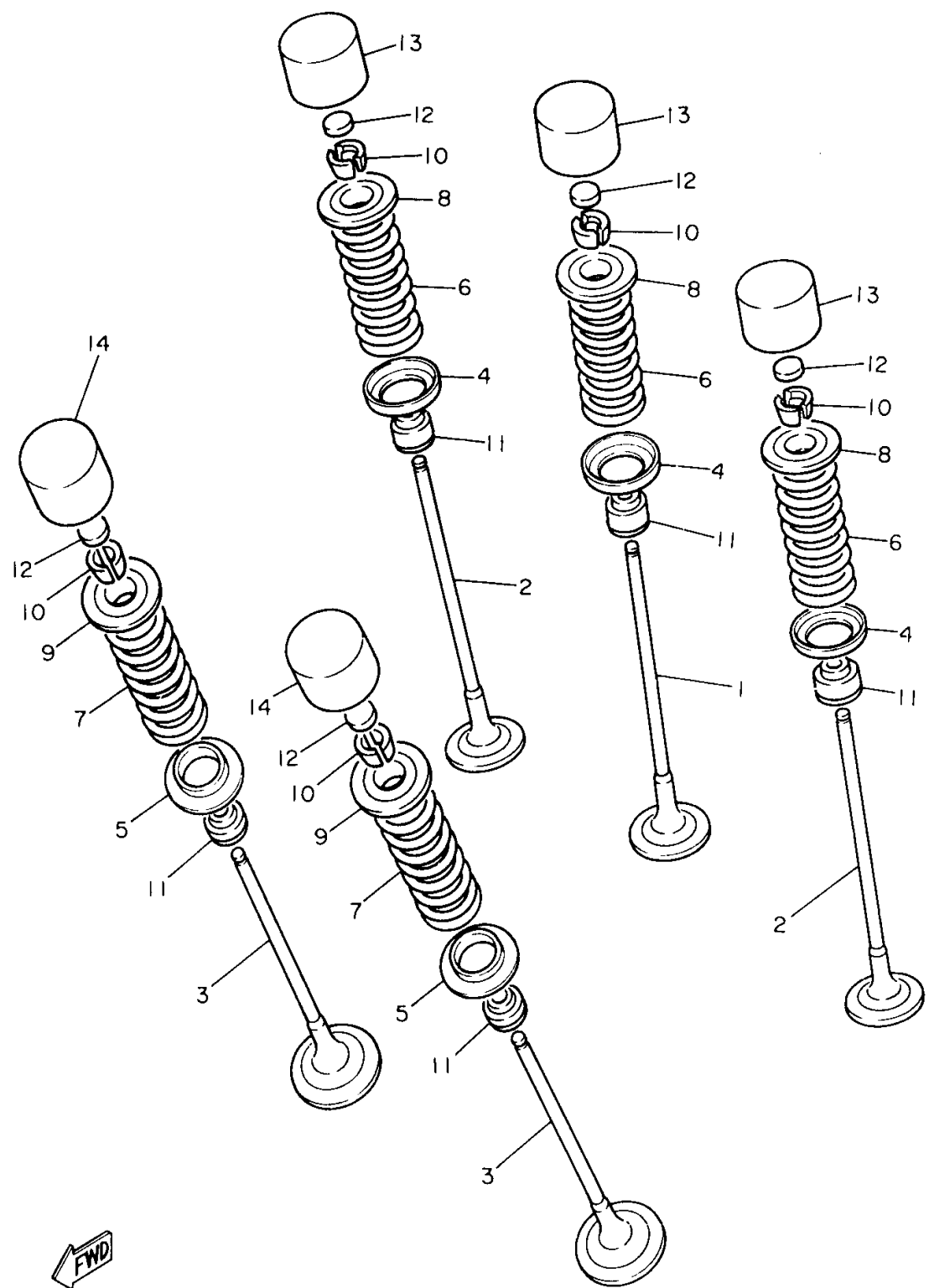
Ref. No.	Part Number	Description	Qty	Remarks
1	4FM-12111-00-00	VALVE, INTAKE	4	
2	4FM-12112-00-00	VALVE, INTAKE 2	8	
3	4FM-12121-00-00	VALVE, EXHAUST	8	
4	4FM-12116-00-00	SEAT, VALVE SPRING	12	
5	3GM-12126-00-00	SEAT, VALVE SPRING 2	8	
6	3FV-12113-00-00	SPRING, VALVE INNER	12	
7	3FV-12114-00-00	SPRING, VALVE OUTER	8	
8	3GM-12117-00-00	RETAINER, VALVE SPRING	12	
9	1WG-12117-00-00	RETAINER, VALVE SPRING	8	
10	1WG-12118-00-00	COTTER, VALVE	40	
11	1WG-12119-00-00	SEAL, VALVE STEM	20	
12	1HX-12168-00-00	PAD, ADJUSTING 2 (1.20)	20	UR
	1HX-12168-20-00	PAD, ADJUSTING 2 (1.25)	20	UR
	1HX-12168-40-00	PAD, ADJUSTING 2 (1.30)	20	UR
	1HX-12168-60-00	PAD, ADJUSTING 2 (1.35)	20	UR
	1HX-12168-80-00	PAD, ADJUSTING 2 (1.40)	20	UR
	1HX-12168-A0-00	PAD, ADJUSTING 2 (1.45)	20	UR
	1HX-12168-F0-00	PAD, ADJUSTING 2 (1.50)	20	UR
	1HX-12168-H1-00	PAD, ADJUSTING 2 (1.55)	20	UR
	1HX-12168-K1-00	PAD, ADJUSTING 2 (1.60)	20	UR
	1HX-12168-M1-00	PAD, ADJUSTING 2 (1.65)	20	UR
	1HX-12168-R1-00	PAD, ADJUSTING 2 (1.70)	20	UR
	1HX-12168-U1-00	PAD, ADJUSTING 2 (1.75)	20	UR
	1HX-12168-W1-00	PAD, ADJUSTING 2 (1.80)	20	UR
	1HX-12168-Y1-00	PAD, ADJUSTING 2 (1.85)	20	UR
	1HX-12169-11-00	PAD, ADJUSTING 2 (1.90)	20	UR
	1HX-12169-31-00	PAD, ADJUSTING 2 (1.95)	20	UR
	1HX-12169-50-00	PAD, ADJUSTING 2 (2.00)	20	UR
	1HX-12169-70-00	PAD, ADJUSTING 2 (2.05)	20	UR

CONTINUED ON NEXT FRAME ►



3LE332-9040

VALVE



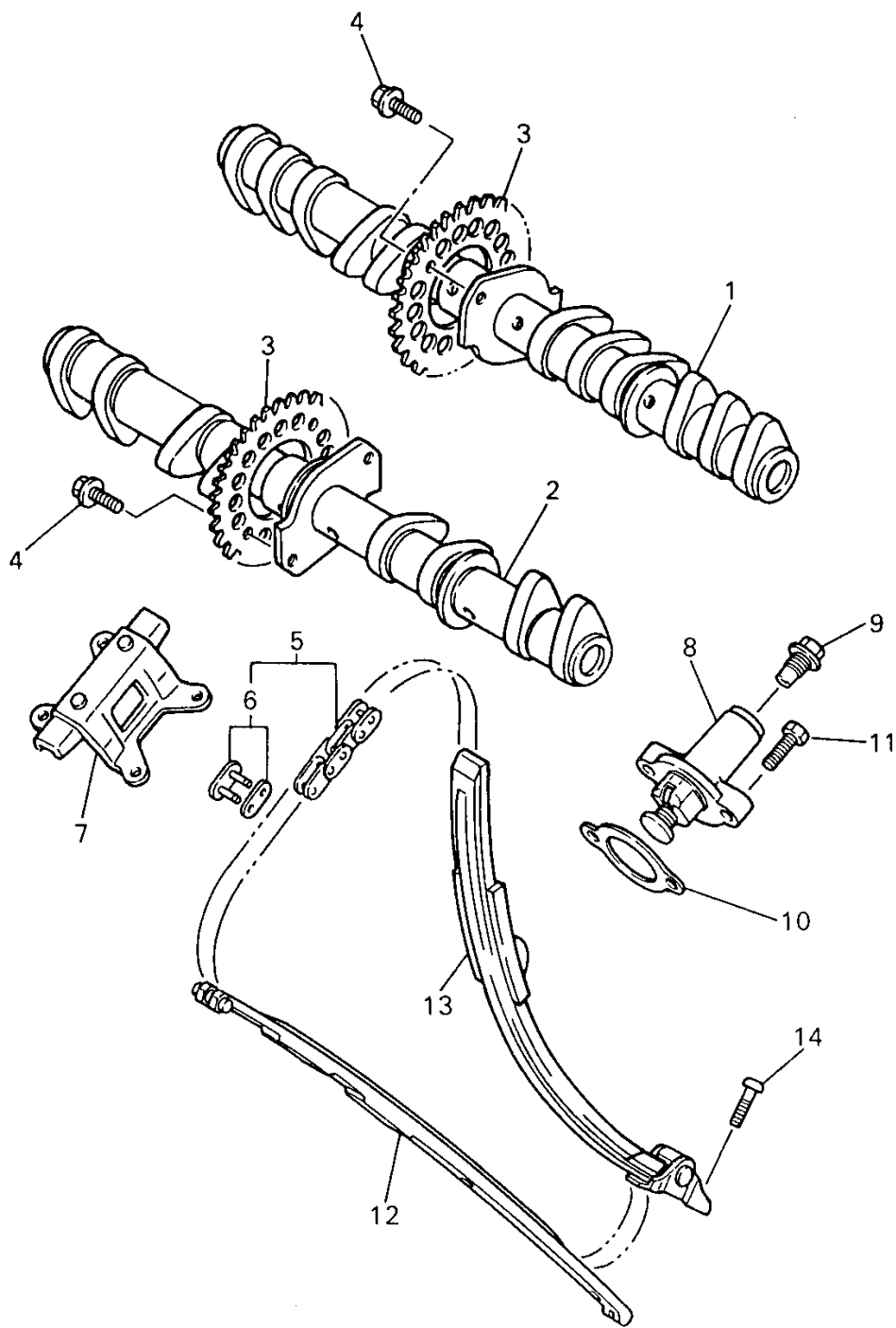
Ref. No.	Part Number	Description	Qty	Remarks
12	1HX-12169-90-00	PAD, ADJUSTING 2 (2.10)	20	UR
	1HX-12169-E0-00	PAD, ADJUSTING 2 (2.15)	20	UR
	1HX-12169-G0-00	PAD, ADJUSTING 2 (2.20)	20	UR
	1HX-12169-J0-00	PAD, ADJUSTING 2 (2.25)	20	UR
	1HX-12169-L0-00	PAD, ADJUSTING 2 (2.30)	20	UR
	1HX-12169-N0-00	PAD, ADJUSTING 2 (2.35)	20	UR
	1HX-12169-T0-00	PAD, ADJUSTING 2 (2.40)	20	UR
13	3LN-12153-20-00	LIFTER, VALVE	12	UR BLUE
	3LN-12153-09-00	LIFTER, VALVE (O/S)	12	UR GREEN
14	3FV-12153-09-00	LIFTER, VALVE (O/S)	8	UR GREEN
	3FV-12153-20-00	LIFTER, VALVE	8	UR BLUE



3LE332-9040

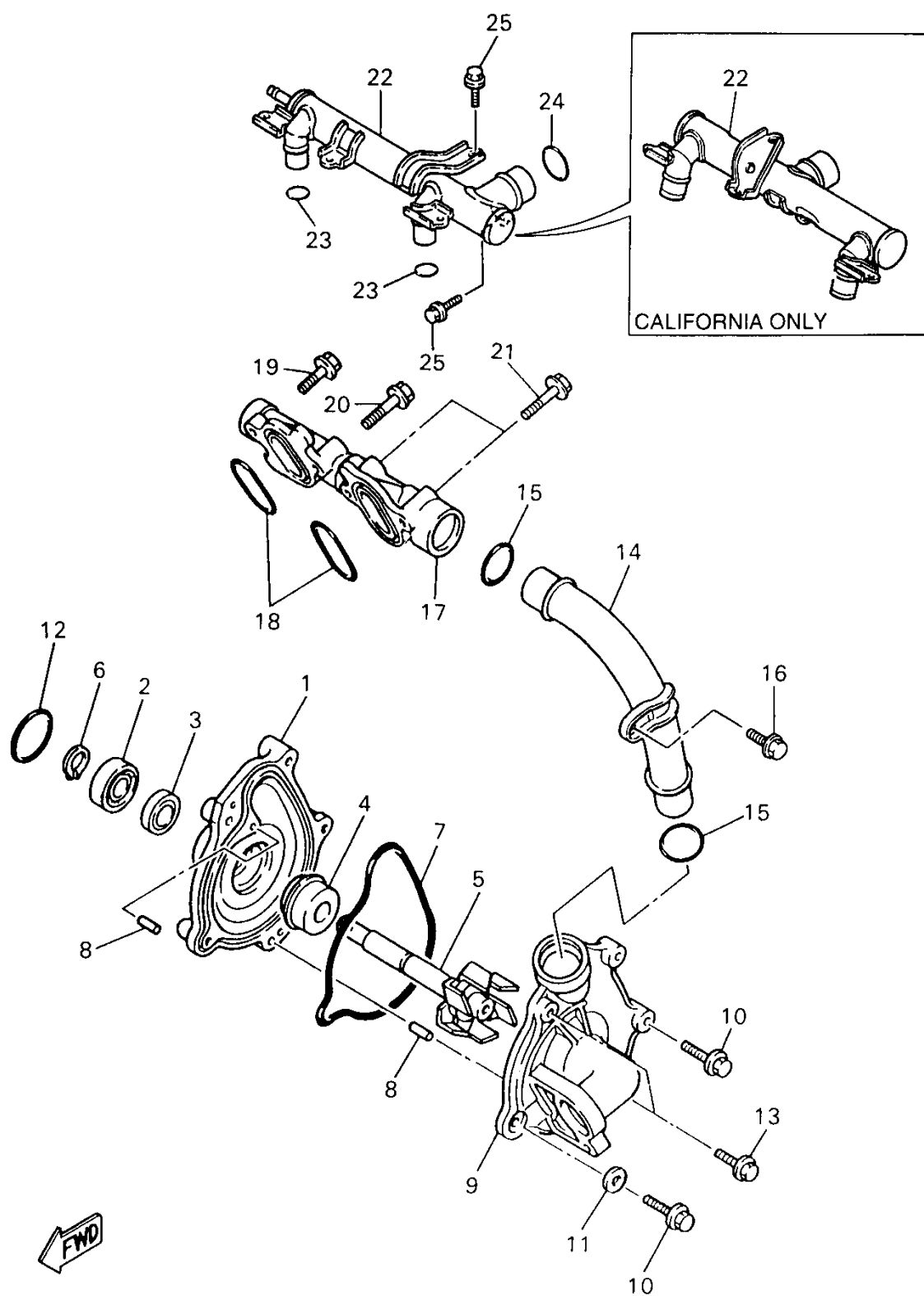
CAMSHAFT - CHAIN

Ref. No.	Part Number	Description	Qty	Remarks
1	4HD-12171-00-00	CAMSHAFT 1	1	
2	4HD-12181-00-00	CAMSHAFT 2	1	
3	3GM-12176-00-00	SPROCKET, CAM CHAIN	2	
4	90105-07342-00	BOLT, WASHER BASED	4	
5	94580-81104-00	CHAIN (DID219FTS-104L)	1	
6	94680-81021-00	. JOINT, CHAIN	1	
7	2GH-12241-00-00	GUIDE, STOPPER 2	1	
8	4FM-12210-00-00	TENSIONER ASSEMBLY, CAM CHAIN	1	
9	90109-112F1-00	BOLT	1	
10	4FM-12213-00-00	GASKET, TENSIONER CASE ..	1	
11	91317-06025-00	BOLT, HEXAGON SOCKET ...	2	
12	3FV-12251-00-00	DAMPER, CHAIN 1	1	
13	4FM-12252-00-00	DAMPER, CHAIN 2	1	
14	90109-065A8-00	BOLT	2	



4HD300-3050

WATER PUMP

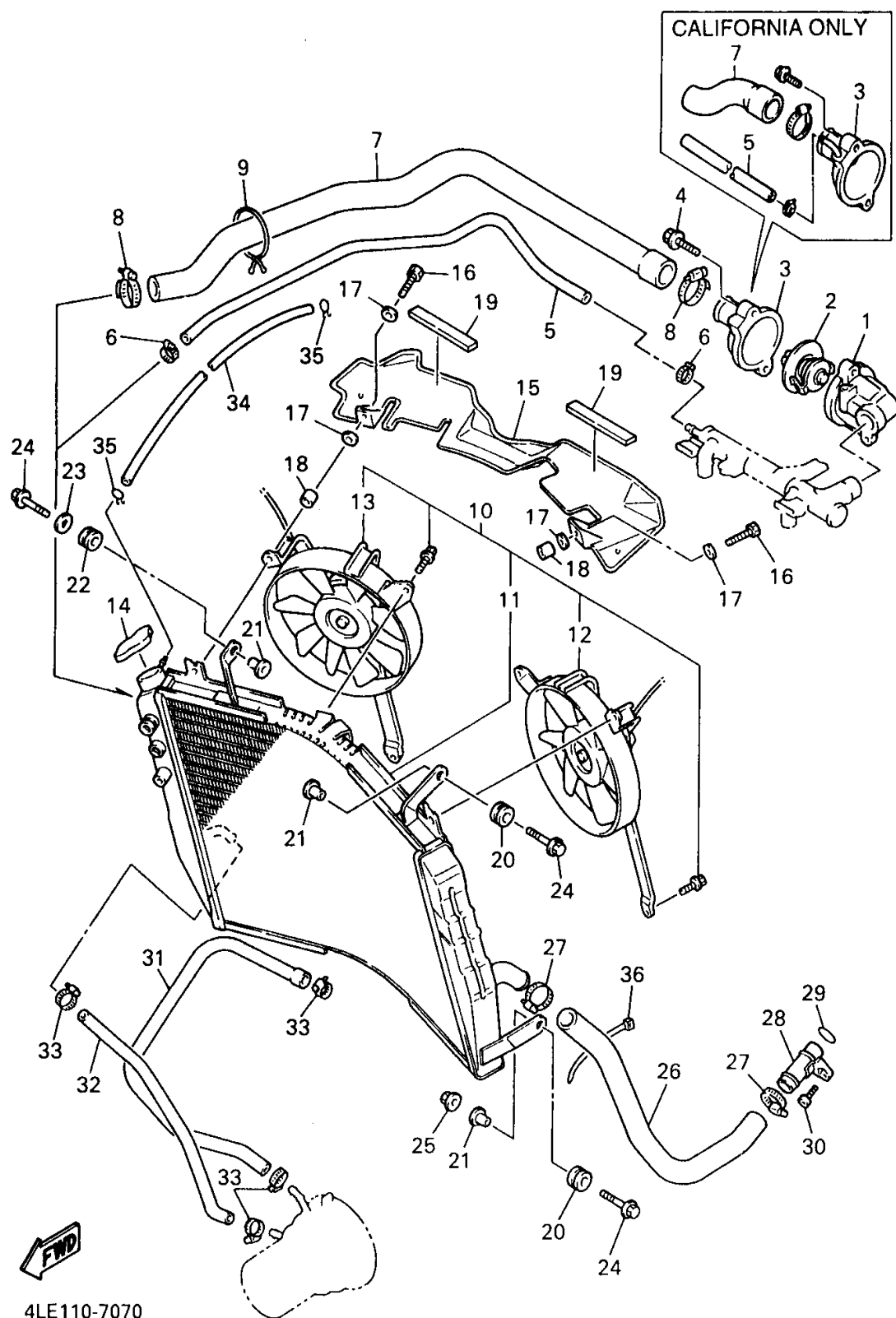


Ref. No.	Part Number	Description	Qty	Remarks
1	1UF-12421-09-00	HOUSING, WATER PUMP	1	
2	93306-00105-00	BEARING (B6001)	1	
3	93101-12060-00	OIL SEAL	1	
4	11H-12438-00-00	SEAL, MECHANICAL	1	
5	1UF-12450-00-00	IMPELLER SHAFT ASSEMBLY	1	
6	99009-12400-00	CIRCLIP	1	
7	1AE-12439-00-00	O-RING	1	
8	93604-10011-00	PIN, DOWEL	2	
9	3GM-12422-00-00	COVER, HOUSING	1	
10	95024-06025-00	BOLT, FLANGE	3	
11	90430-06014-00	.GASKET	1	
12	93210-33133-00	.O-RING	1	
13	95024-06050-00	BOLT, FLANGE	2	
14	1AE-12481-01-00	PIPE 1	1	
15	93210-23787-00	O-RING	2	
16	95027-06012-00	BOLT, FLANGE	1	
17	3FV-12469-00-00	JOINT 1	1	
18	93210-30694-00	O-RING	2	
19	95027-06020-00	BOLT, FLANGE	1	
20	95027-06030-00	BOLT, FLANGE	1	
21	95027-06040-00	BOLT, SMALL FLANGE	2	
22	3GM-12482-00-00	PIPE 2	1	UR CA ONLY
	4FN-12482-00-00	PIPE 2	1	UR
23	93210-18417-00	O-RING	2	
24	93210-23787-00	O-RING	1	
25	95027-06010-00	BOLT, FLANGE	2	



4LE110-4060

RADIATOR - HOSE

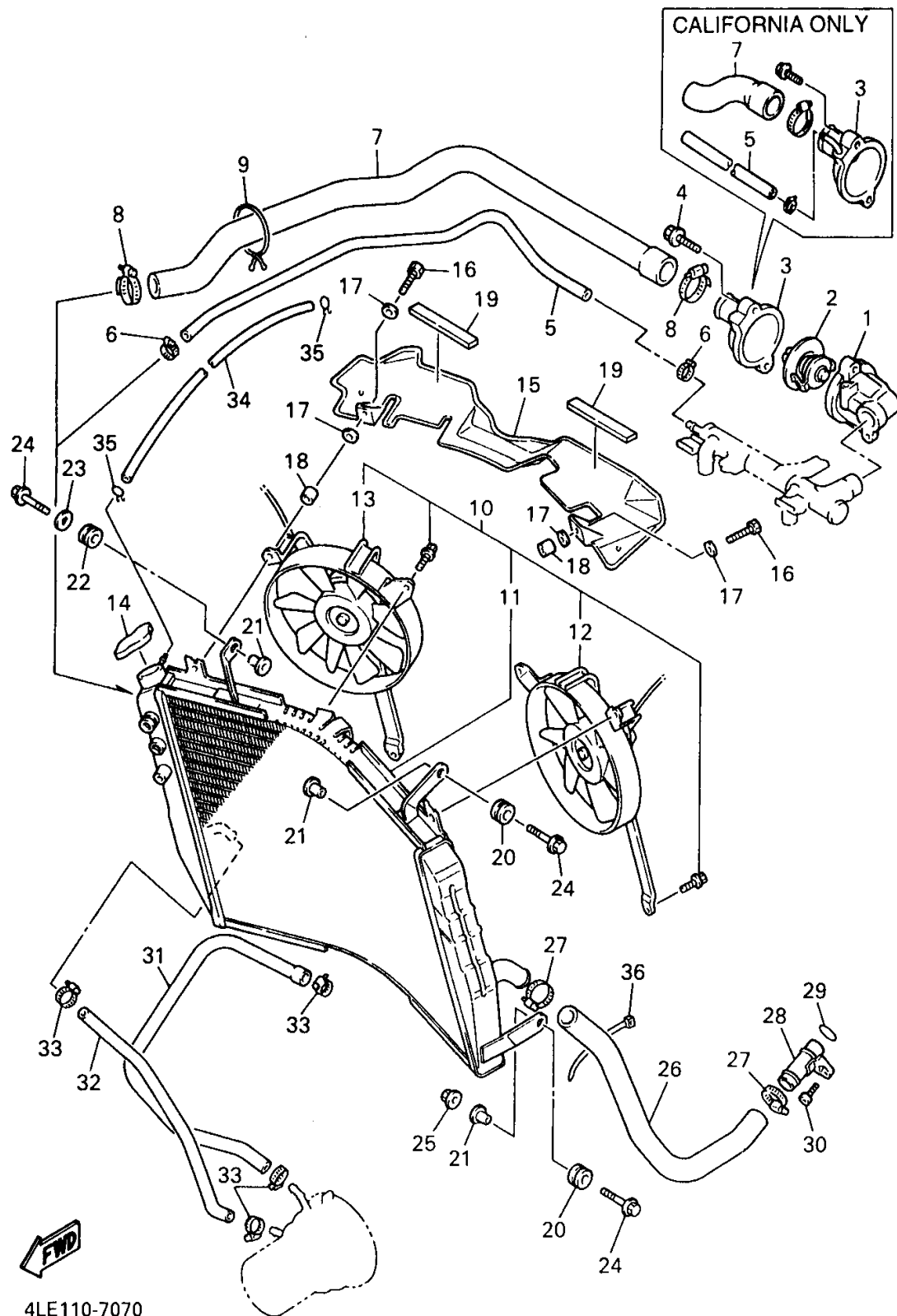


Ref. No.	Part Number	Description	Qty	Remarks
1	3GM-12417-00-00	HOUSING, THERMOSTAT	1	
2	4FM-12410-00-00	THERMOSTAT ASSY	1	
3	3GM-12413-00-00	COVER, THERMOSTAT	1	UR
	3FV-1240G-00-00	THERMOSTAT COVER ASSEMBLY	1	UR CA ONLY
4	95027-06025-00	BOLT, FLANGE	2	
5	90445-111F3-00	HOSE	1	UR CA ONLY
	4FM-1243A-10-00	HOSE	1	UR
6	90467-11090-00	CLIP	2	
7	4FM-12576-10-00	HOSE 1	1	UR
	4LE-12576-10-00	HOSE 1	1	UR CA ONLY
8	90450-38040-00	HOSE CLAMP ASSY	2	
9	90464-44109-00	CLAMP	1	
10	4FM-1240A-10-00	RADIATOR ASSEMBLY	1	
11	4FM-12461-10-00	. RADIATOR ASSEMBLY	1	
12	4FM-12405-10-00	. BLOWER ASSEMBLY	1	
13	4FM-12405-20-00	. BLOWER ASSEMBLY	1	
14	22W-12462-00-00	CAP, RADIATOR	1	
15	4HD-12535-00-00	PLATE	1	
16	97007-06025-00	BOLT	2	
17	90201-06049-00	WASHER, PLATE	4	
18	90387-064T3-00	COLLAR	2	
19	2TV-21638-00-00	DAMPER 1	2	
20	90480-15363-00	GROMMET	3	
21	90387-07391-00	COLLAR	4	
22	90480-10542-00	GROMMET	1	
23	90201-063J2-00	WASHER, PLATE	1	
24	95817-06025-00	BOLT, FLANGE	4	
25	95707-06500-00	NUT, FLANGE	2	

CONTINUED ON NEXT FRAME ►

4LE110-7070

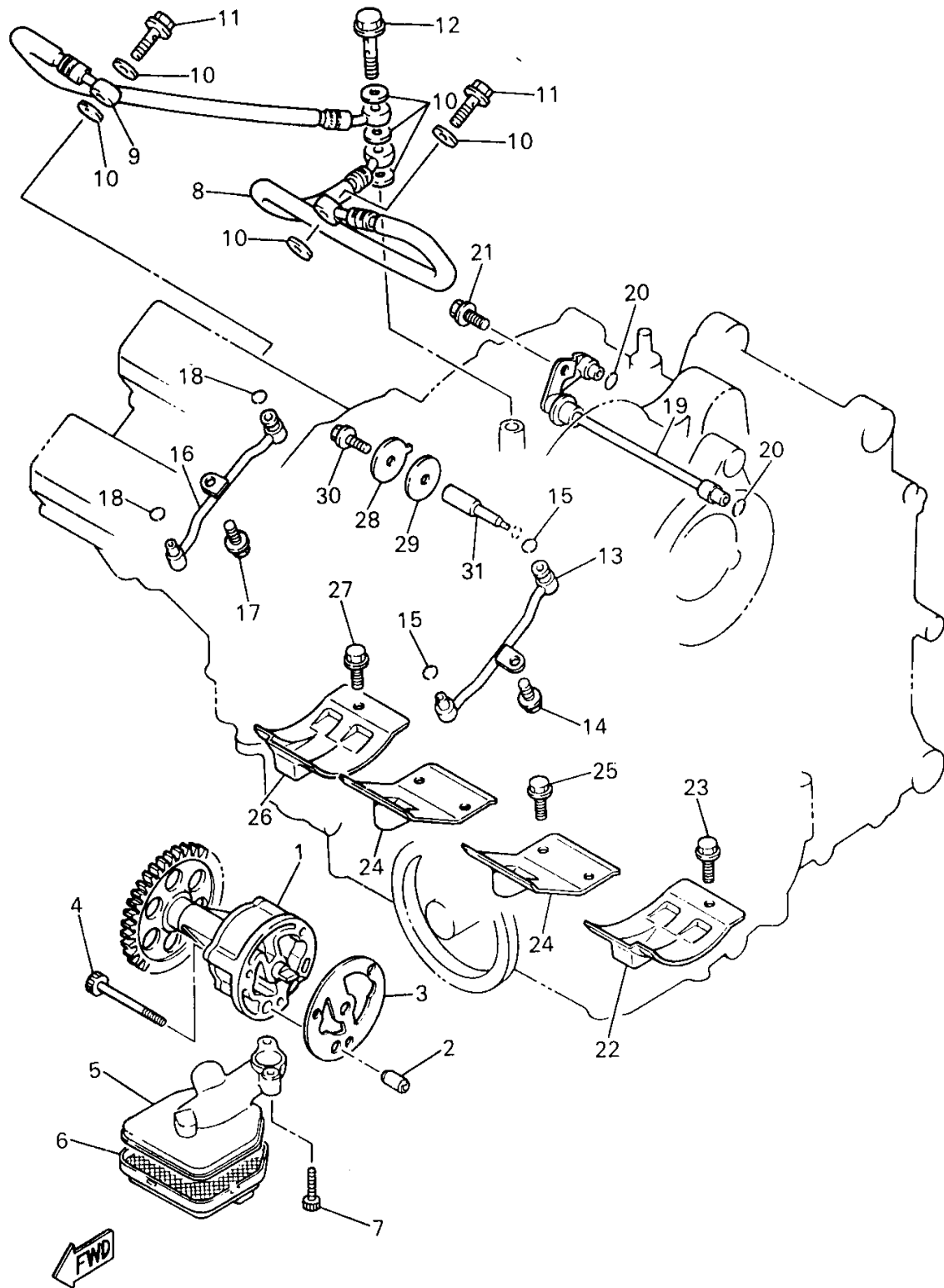
RADIATOR - HOSE



Ref. No.	Part Number	Description	Qty	Remarks
26	4FM-12579-10-00	HOSE 4	1	
27	90450-38040-00	HOSE CLAMP ASSY	2	
28	2GH-12484-00-00	PIPE 4	1	
29	93210-23787-00	O-RING	1	
30	90110-06142-00	BOLT, HEXAGON SOCKET HEAD	1	
31	4FM-12588-01-00	HOSE 5	1	
32	4FM-12589-10-00	HOSE 6	1	
33	90450-22052-00	HOSE CLAMP ASSY	4	
34	90445-090F6-00	HOSE	1	
35	90467-08003-00	.CLIP	2	
36	90464-13080-00	CLAMP	1	

4LE110-7070

OIL PUMP

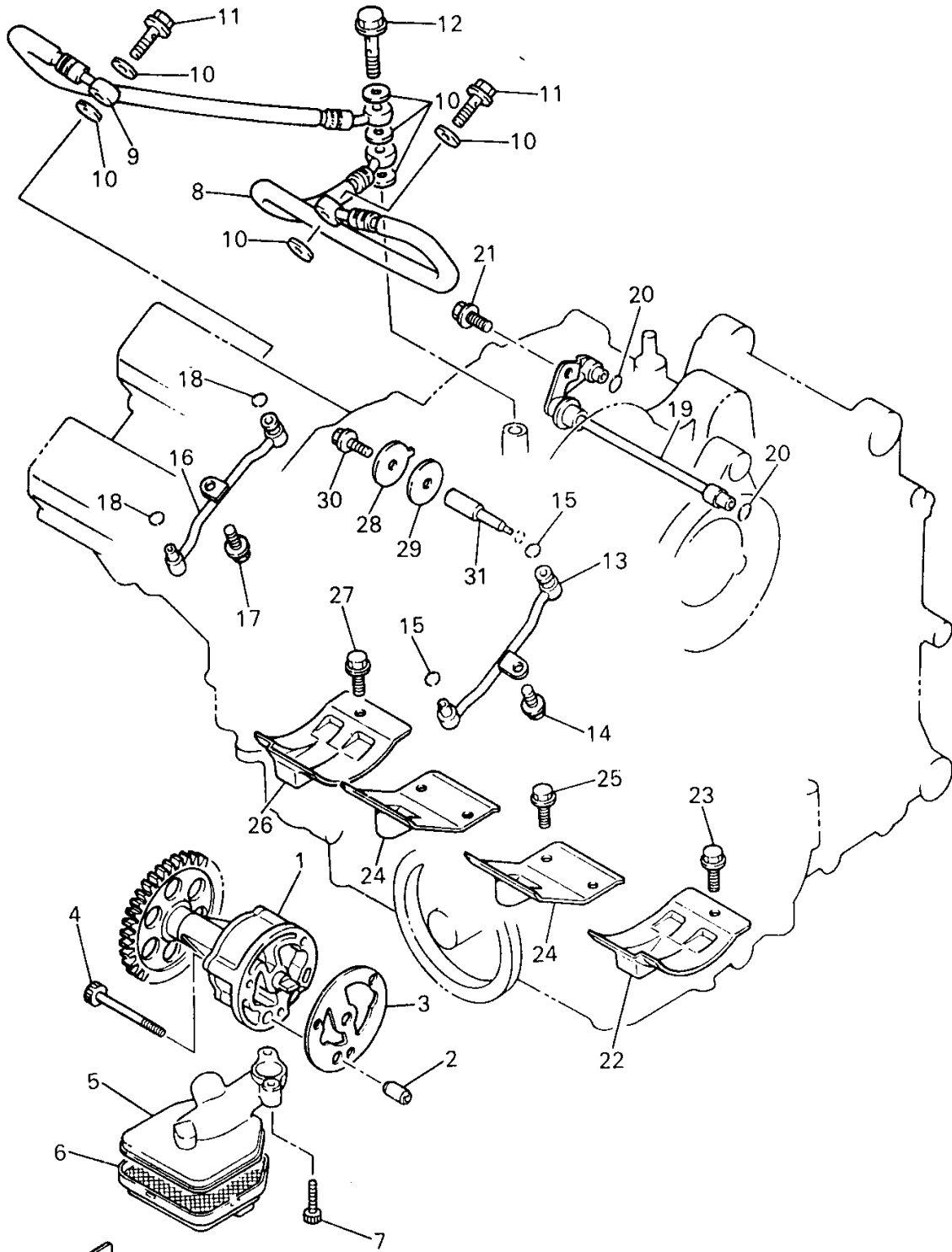


4HD300-3080

Ref. No.	Part Number	Description	Qty	Remarks
1	1AE-13300-00-00	OIL PUMP ASSEMBLY	1	
2	99510-08012-00	PIN, DOWEL	1	
3	2GH-13329-00-00	GASKET, PUMP COVER	1	
4	91317-06050-00	BOLT	3	
5	3GM-13412-50-00	HOUSING, STRAINER	1	
6	4FM-13411-00-00	STRAINER, OIL	1	
7	91317-06030-00	BOLT	2	
8	4BH-1316F-01-00	HOSE, OIL 1	1	
9	4BH-1316G-01-00	HOSE, OIL 2	1	
10	90430-10171-00	GASKET	7	
11	90401-10159-00	BOLT, UNION	2	
12	90401-10044-00	BOLT, UNION	1	
13	3GM-13181-00-00	PIPE, DELIVERY 3	1	
14	95027-06012-00	BOLT, FLANGE	1	
15	93210-06632-00	O-RING	2	
16	3GM-13191-00-00	PIPE, DELIVERY 4	1	
17	95027-06012-00	BOLT, FLANGE	1	
18	93210-06632-00	O-RING	2	
19	1AE-1316E-00-00	PIPE, DELEVERY 5	1	
20	93210-07135-00	O-RING	2	
21	95027-06012-00	BOLT, FLANGE	1	
22	2GH-15123-00-00	PLATE, BUFFLE 1	1	
23	95027-06012-00	BOLT, FLANGE	2	
24	1AE-15124-00-00	PLATE, BUFFLE 2	2	
25	95027-06012-00	BOLT, FLANGE	6	
26	2GH-15133-00-00	PLATE, BUFFLE 3	1	
27	95027-06012-00	BOLT, FLANGE	2	
28	90201-061M7-00	WASHER, PLATE	1	
29	4FM-13475-00-00	GASKET	1	

CONTINUED ON NEXT FRAME ►

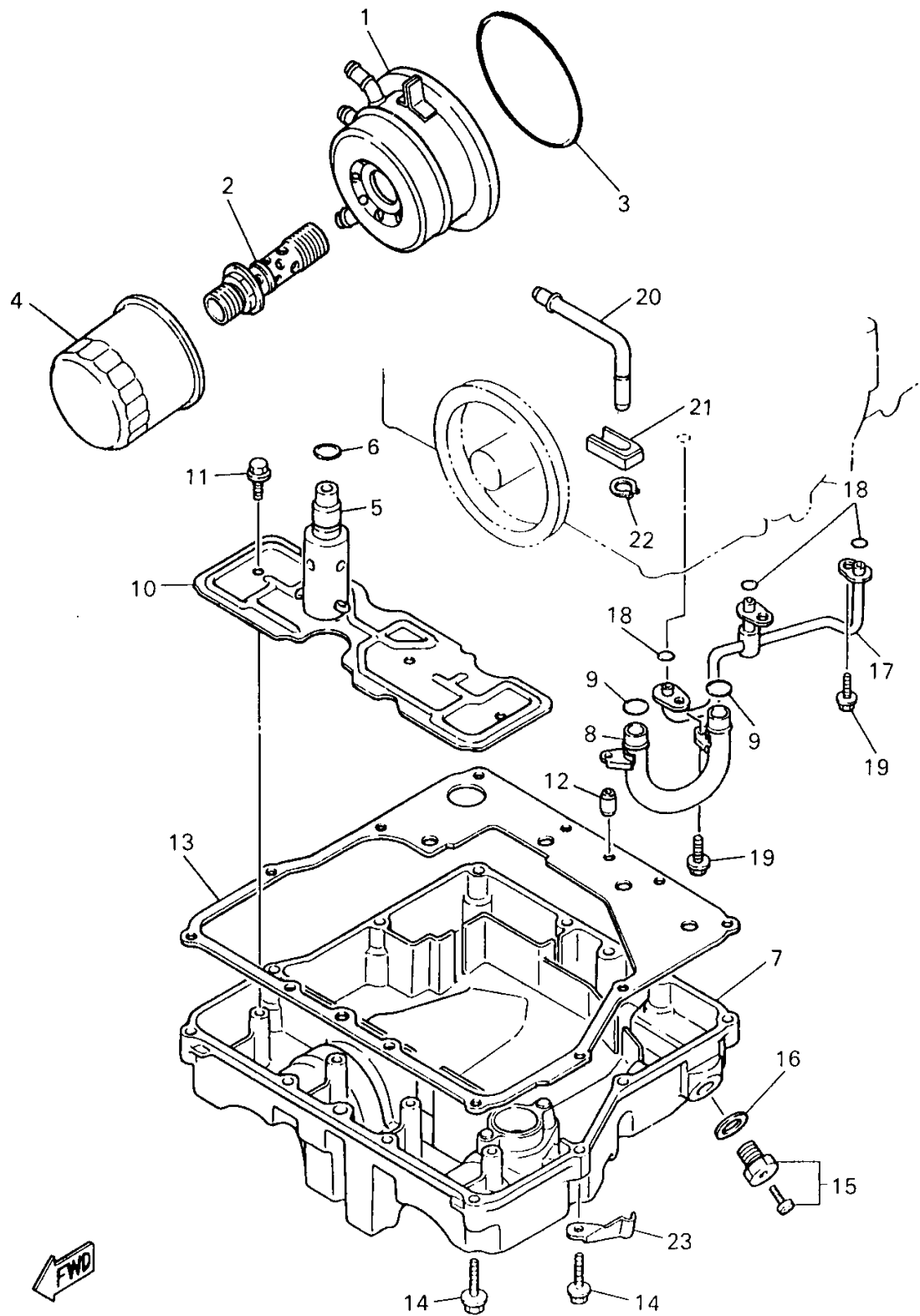
OIL PUMP



Ref. No.	Part Number	Description	Qty	Remarks
30	95817-06016-00	BOLT, FLANGE	1	
31	3GM-13454-00-00	NOZZLE	1	

4HD300-3080

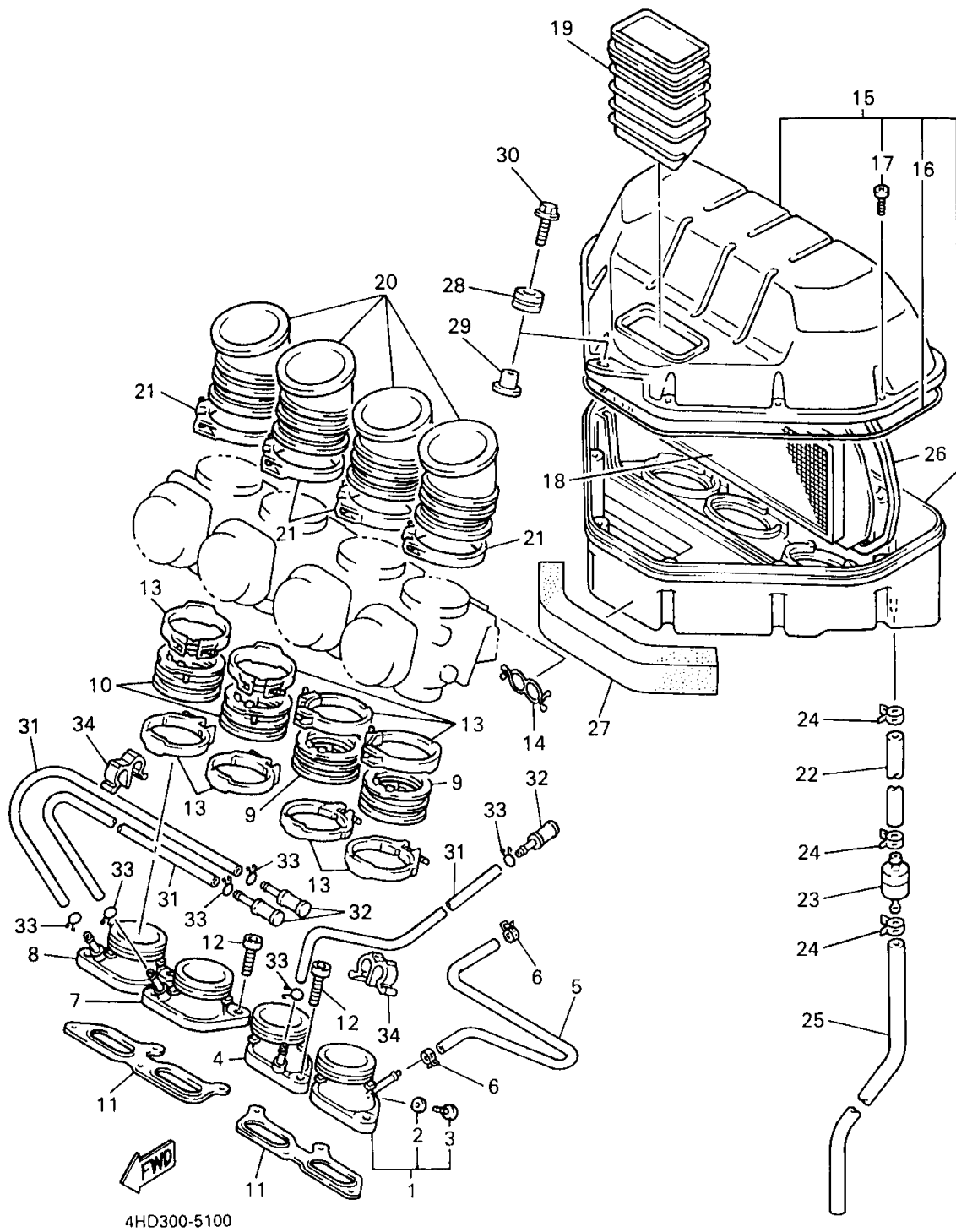
OIL CLEANER



Ref. No.	Part Number	Description	Qty	Remarks
1	4FM-13470-10-00	OIL COOLER ASSEMBLY	1	
2	90401-20161-00	BOLT, UNION	1	
3	93210-87723-00	O-RING	1	
4	3FV-13440-00-00	ELEMENT ASSY, OIL CLEANER	1	
5	3KS-13490-00-00	RELIEF VALVE ASSY	1	
6	93210-15566-00	O-RING	1	
7	4FM-13417-00-00	COVER, STRAINER	1	
8	3FV-13416-01-00	PIPE, OIL 1	1	
9	93210-14579-00	O-RING	2	
10	3GM-13337-00-00	PLATE, BAFFLE LOWER	1	
11	95027-06010-00	BOLT, FLANGE	4	
12	99510-08016-00	PIN, DOWEL	2	
13	4FM-13414-00-00	GASKET, STRAINER COVER	1	
14	95027-06030-00	BOLT, FLANGE	12	
15	3VD-13455-00-00	PLUG	1	
16	214-11198-01-00	GASKET	1	
17	3GM-13161-01-00	PIPE, DELIVERY 1	1	
18	93210-06714-00	O-RING	3	
19	95027-06012-00	BOLT, FLANGE	3	
20	3GM-15373-00-00	PIPE, BREATHER	1	
21	3GM-13174-00-00	HOLDER, OIL PIPE	1	
22	99009-10400-00	CIRCLIP	1	
23	90465-08076-00	CLAMP	1	

4LE110-4090

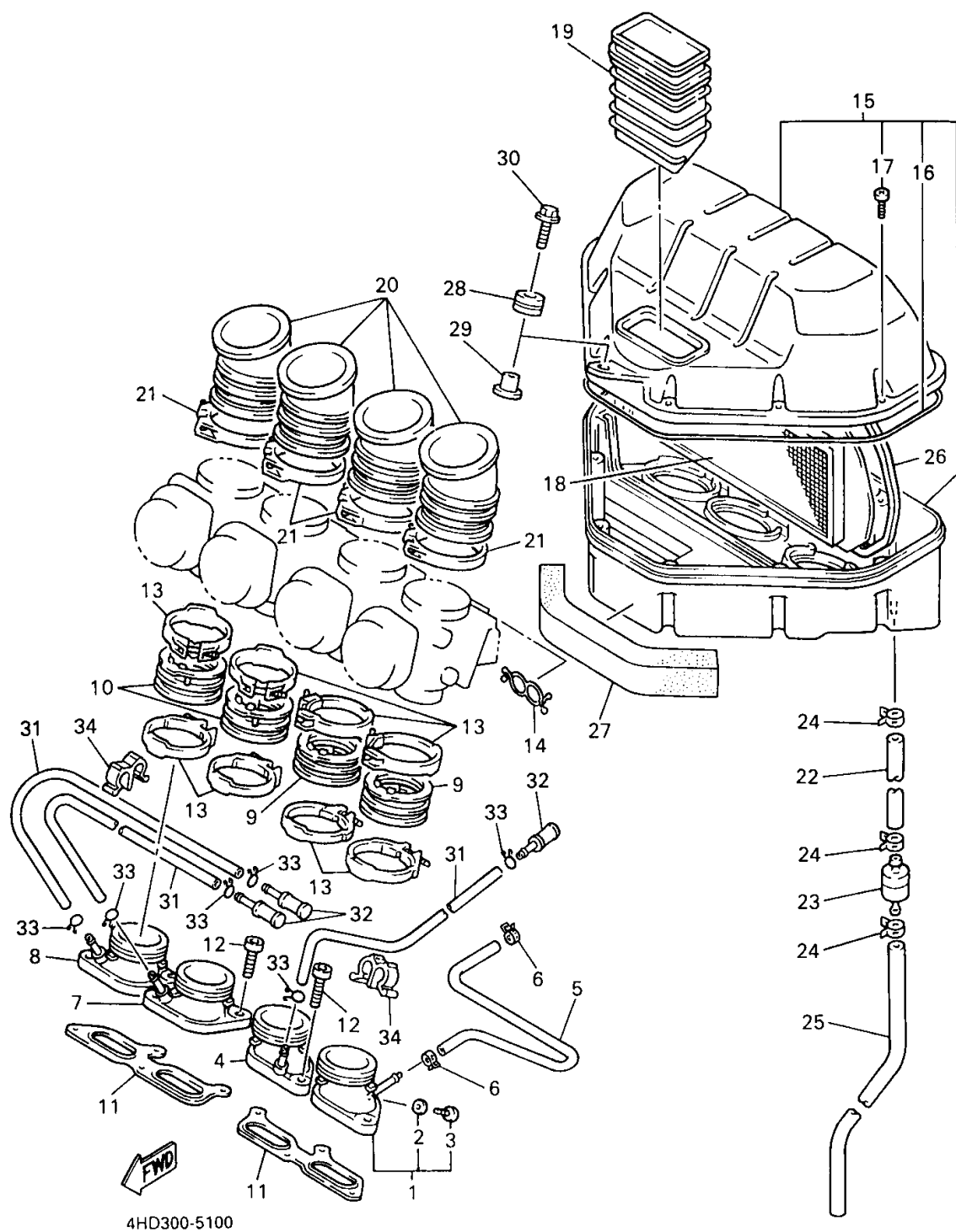
INTAKE



Ref. No.	Part Number	Description	Qty	Remarks
1	4FN-13586-01-00	JOINT, CARBURETOR 1	1	
2	90430-06014-00	.GASKET	1	
3	91317-06012-00	. BOLT	1	
4	4FM-13586-11-00	JOINT, CARBURETOR 1	1	
5	3FV-2416A-00-00	HOSE	1	
6	90467-08092-00	CLIP, SCISSOR	2	
7	4FM-13596-11-00	JOINT, CARBURETOR 2	1	
8	4HD-13596-10-00	JOINT, CARBURETOR 2	1	
9	3GM-13597-00-00	JOINT, CARBURETOR 3	2	
10	3GM-13598-00-00	JOINT, CARBURETOR 4	2	
11	4FM-13556-01-00	GASKET, MANIFOLD	2	
12	91317-06020-00	BOLT	8	
13	90450-57034-00	HOSE CLAMP ASSY	8	
14	90464-17184-00	CLAMP	1	
15	4FM-14401-10-00	AIR CLEANER CASE ASSEMBLY	1	
16	4FM-14452-00-00	. SEAL	1	
17	97707-50525-00	. SCREW, TAPPING	8	
18	4FM-14451-00-00	ELEMENT, AIR CLEANER	1	
19	4FM-14437-00-00	DUCT	1	
20	4FM-14453-00-00	JOINT, AIR CLEANER 1	4	
21	90450-67066-00	HOSE CLAMP ASSEMBLY	4	
22	1HX-1443E-00-00	PIPE, DRAIN	1	
23	4X7-2149Y-00-00	FILTER ASSY	1	
24	90467-11106-00	CLIP	3	
25	90445-116H6-00	HOSE	1	
26	4FM-14462-00-00	SEAL	1	
27	4FN-14467-00-00	SEAL	1	
28	90480-12314-00	GROMMET	1	

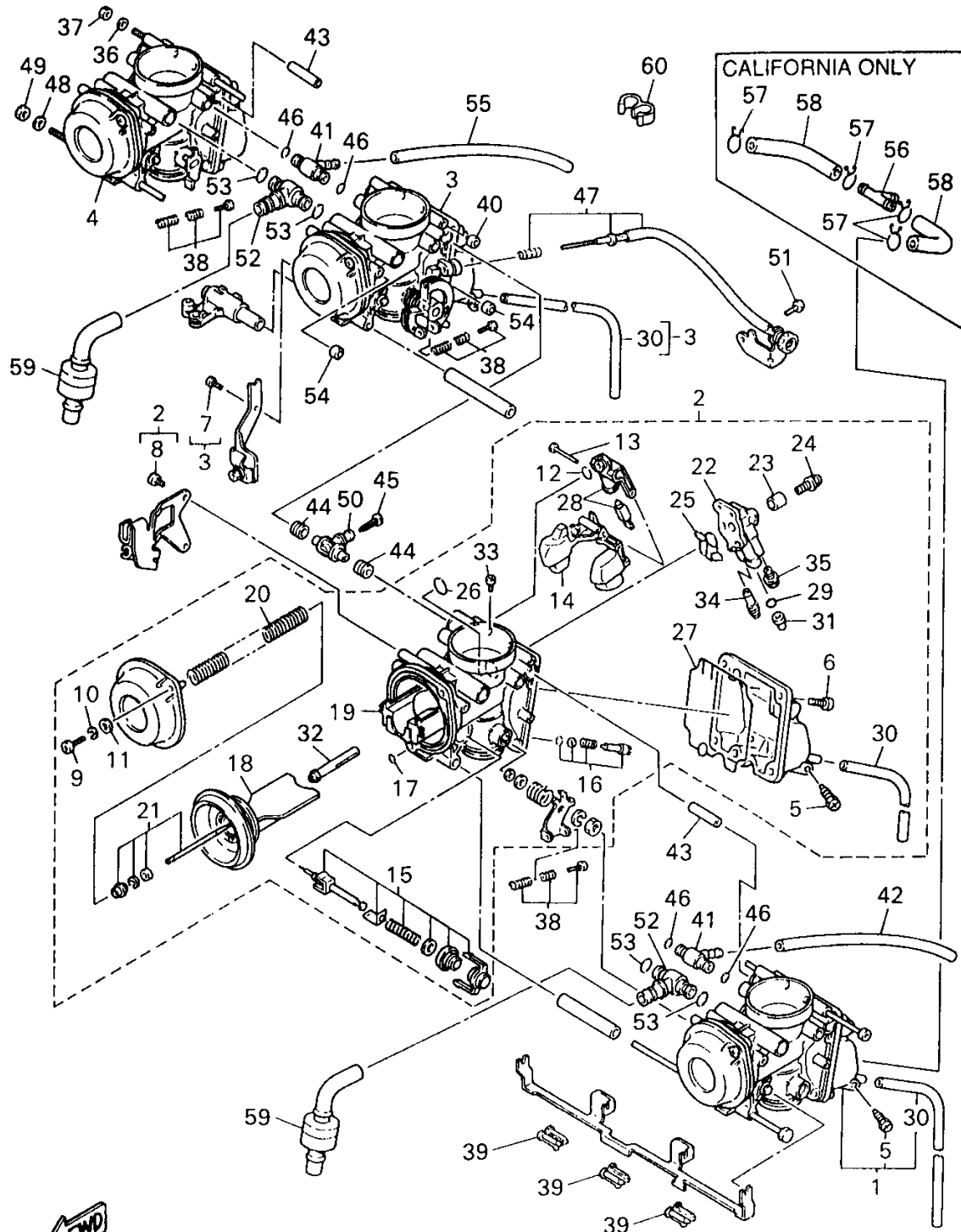
CONTINUED ON NEXT FRAME ►

INTAKE



Ref. No.	Part Number	Description	Qty	Remarks
29	90387-065J6-00	COLLAR	1	
30	95817-06020-00	BOLT, FLANGE	1	
31	90445-090E5-00	HOSE (L170)	3	
32	90338-05240-00	PLUG, SPEC'L SHAPE	3	
33	90467-08017-00	CLIP, SCISSOR	6	
34	90468-15139-00	CLIP	2	

CARBURETOR

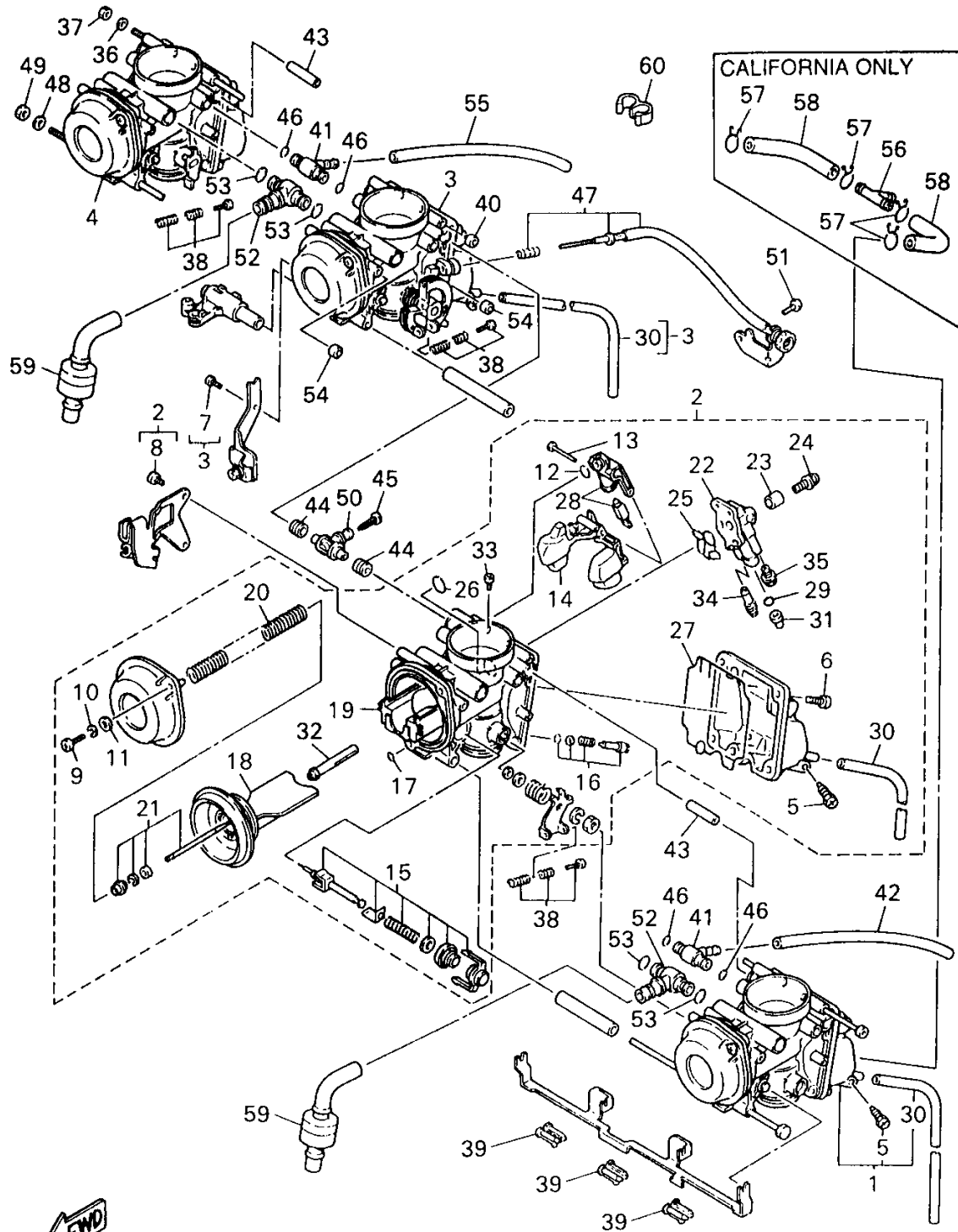


Ref. No.	Part Number	Description	Qty	Remarks
1	4LE-14901-20-00	CARBURETOR ASSEMBLY 1	1	UR
	4LE-14901-30-00	CARBURETOR ASSEMBLY 1	1	UR CA ONLY
2	4LE-14902-20-00	CARBURETOR ASSEMBLY 2	1	UR
	4LE-14902-30-00	CARBURETOR ASSEMBLY 2	1	UR CA ONLY
3	4LE-14903-20-00	CARBURETOR ASSEMBLY 3	1	UR
	4LE-14903-30-00	CARBURETOR ASSEMBLY 3	1	UR CA ONLY
4	4LE-14904-20-00	CARBURETOR ASSEMBLY 4	1	UR
	4LE-14904-30-00	CARBURETOR ASSEMBLY 4	1	UR CA ONLY
5	12R-14191-00-00	. PLUG, DRAIN	1	
6	98580-05012-00	. SCREW, PAN HEAD	4	
7	98580-04008-00	. SCREW, PAN HEAD	1	
8	98580-04008-00	. SCREW, PAN HEAD	2	
9	98586-05016-00	. SCREW, PAN HEAD	2	
10	92907-05100-00	. WASHER, SPRING	2	
11	92907-05600-00	. WASHER, PLATE	2	
12	3EN-14147-00-00	. O-RING	1	
13	53L-14186-00-00	. PIN, FLOAT	1	
14	3GM-14985-00-00	. FLOAT	1	
15	3EN-1410A-01-00	. STARTER SET	1	
16	12R-14105-00-00	. PILOT SCREW SET	1	
17	3FV-14147-00-00	. O-RING	1	
18	3GM-14940-00-00	. DIAPHRAGM ASSEMBLY	1	
19	3GM-1411E-00-00	. BLOCK, JET	1	
20	3LD-14933-00-00	. SPRING, DIAPHRAGM	1	
21	4LE-1490J-00-00	. NEEDLE SET	1	
22	4HD-1411A-00-00	. BLOCK JET ASSEMBLY	1	
23	3GM-14153-00-00	. WASHER, MAIN JET	1	
24	4HD-14565-00-00	. SCREW	1	
25	3LF-14147-00-00	. O-RING	1	

CONTINUED ON NEXT FRAME ►

4LE110-5110

CARBURETOR

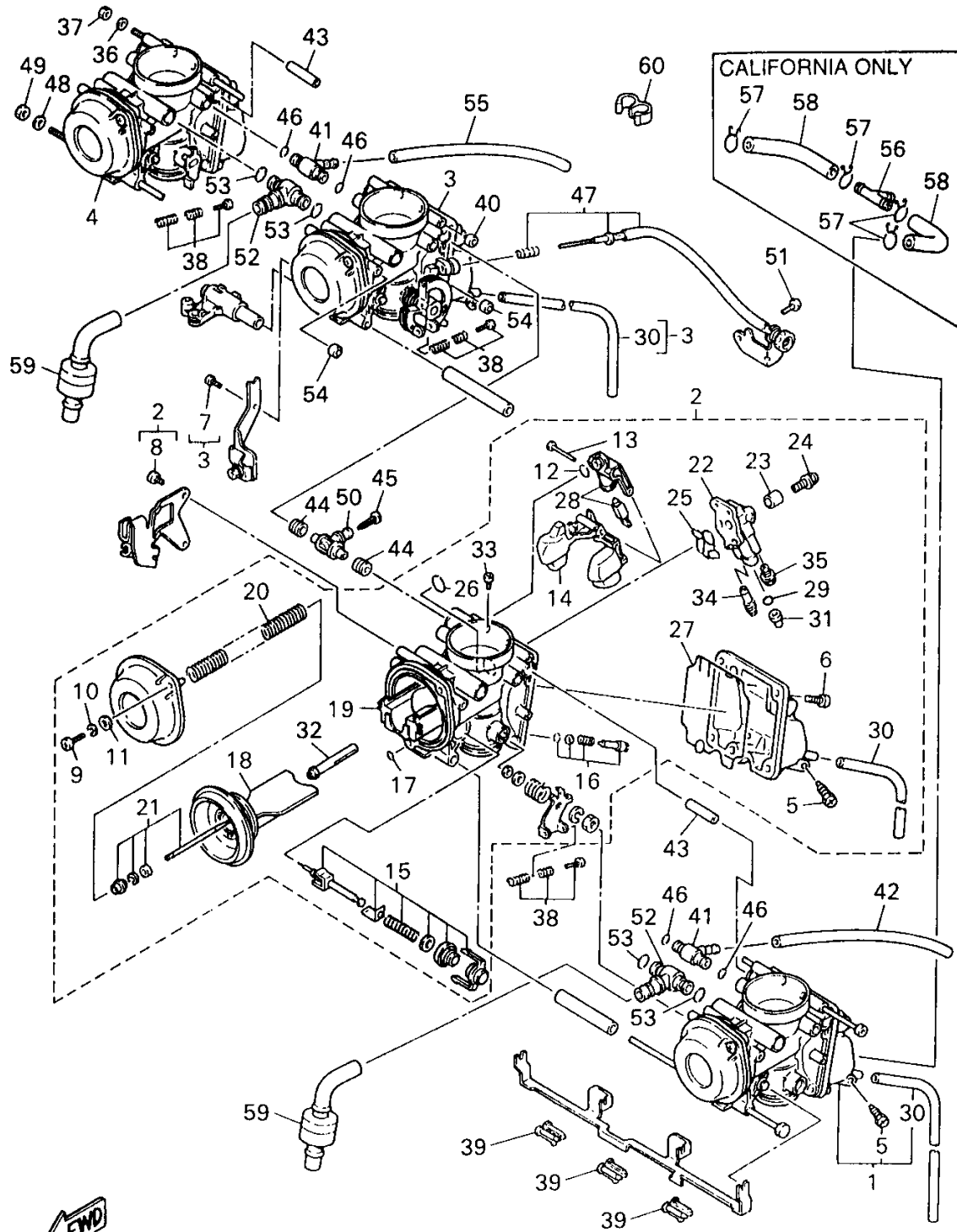


Ref. No.	Part Number	Description	Qty	Remarks
26	1AE-14147-00-00	. . .O-RING	1	
27	3GM-14997-00-00	. SEAL	1	
28	3GM-14107-10-00	. NEEDLE VALVE SET	1	
29	3LD-14147-00-00	. O-RING	1	
30	3LK-14987-00-00	. HOSE	1	
31	3LD-1414A-75-00	. JET, MAIN (#122.5)	1	
32	3GM-14141-08-00	. NOZZLE, MAIN	1	
33	830-1414A-75-00	. JET, MAIN (#122.5)	1	
34	4HR-14142-35-00	. JET, PILOT (# 35)	1	
35	620-1423A-62-00	. JET, MAIN (# 57.5)	1	
36	92990-05600-00	WASHER, PLATE	1	
37	95380-05600-00	.NUT	1	
38	3EN-1490K-00-00	STOP SCREW SET	3	
39	3EN-14261-00-00	HOLDER	3	
40	3GM-14918-00-00	RING	1	
41	17A-14251-00-00	NIPPLE	2	
42	3FV-14197-00-00 3GM-14197-00-00	PIPE	1	UR CA ONLY UR
43	4HD-14988-00-00	PIPE, STARTER CONNECTING	2	
44	3EN-14997-00-00	SEAL	2	
45	1KT-14994-00-00	NET, FILTER	1	
46	822-14147-00-00	O-RING	4	
47	3GM-14103-00-00	THROTTLE SCREW SET	1	
48	92990-06600-00	WASHER, PLATE	1	
49	95380-06600-00	.NUT, HEXAGON	1	
50	3EN-14988-00-00	PIPE, STARTER CONNECTING	1	
51	98580-05008-00	SCREW, PAN HEAD	1	
52	3GM-14251-00-00	NIPPLE	2	
53	3LK-14147-00-00	O-RING	4	

CONTINUED ON NEXT FRAME ►

4LE110-5110

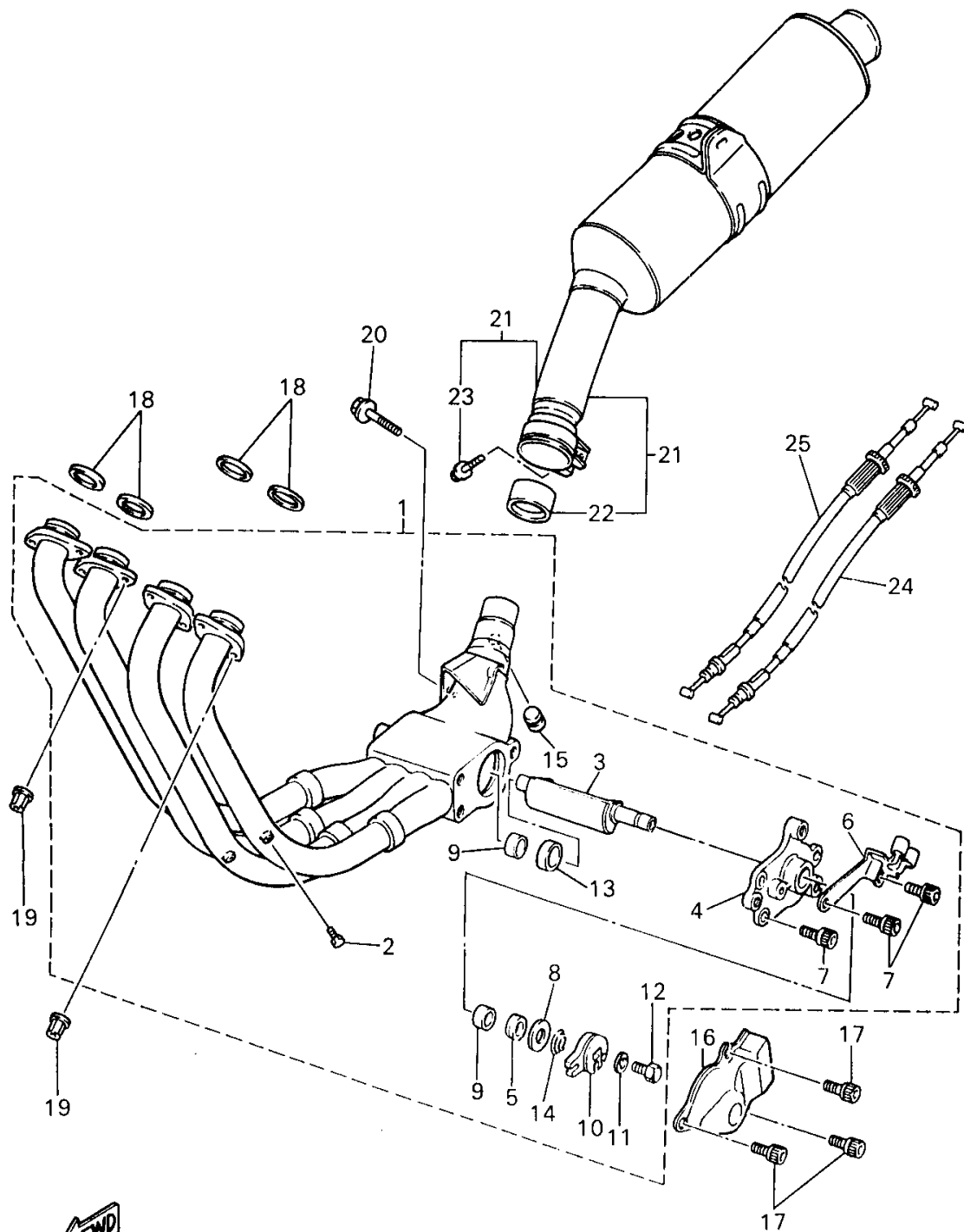
CARBURETOR



4LE110-5110

Ref. No.	Part Number	Description	Qty	Remarks
54	3GM-14992-00-00	ROD	2	
55	2LE-14197-00-00	PIPE	1	
56	3H3-24376-00-00	PIPE, JOINT 1	1	CA ONLY
57	4LE-14137-00-00	CLIP	4	CA ONLY
58	14X-14294-00-00	HOSE	2	CA ONLY
59	3GM-14197-00-00	PIPE	2	
60	90464-10075-00	CLAMP	1	UR CA ONLY
	90464-10075-00	CLAMP	2	UR

EXHAUST

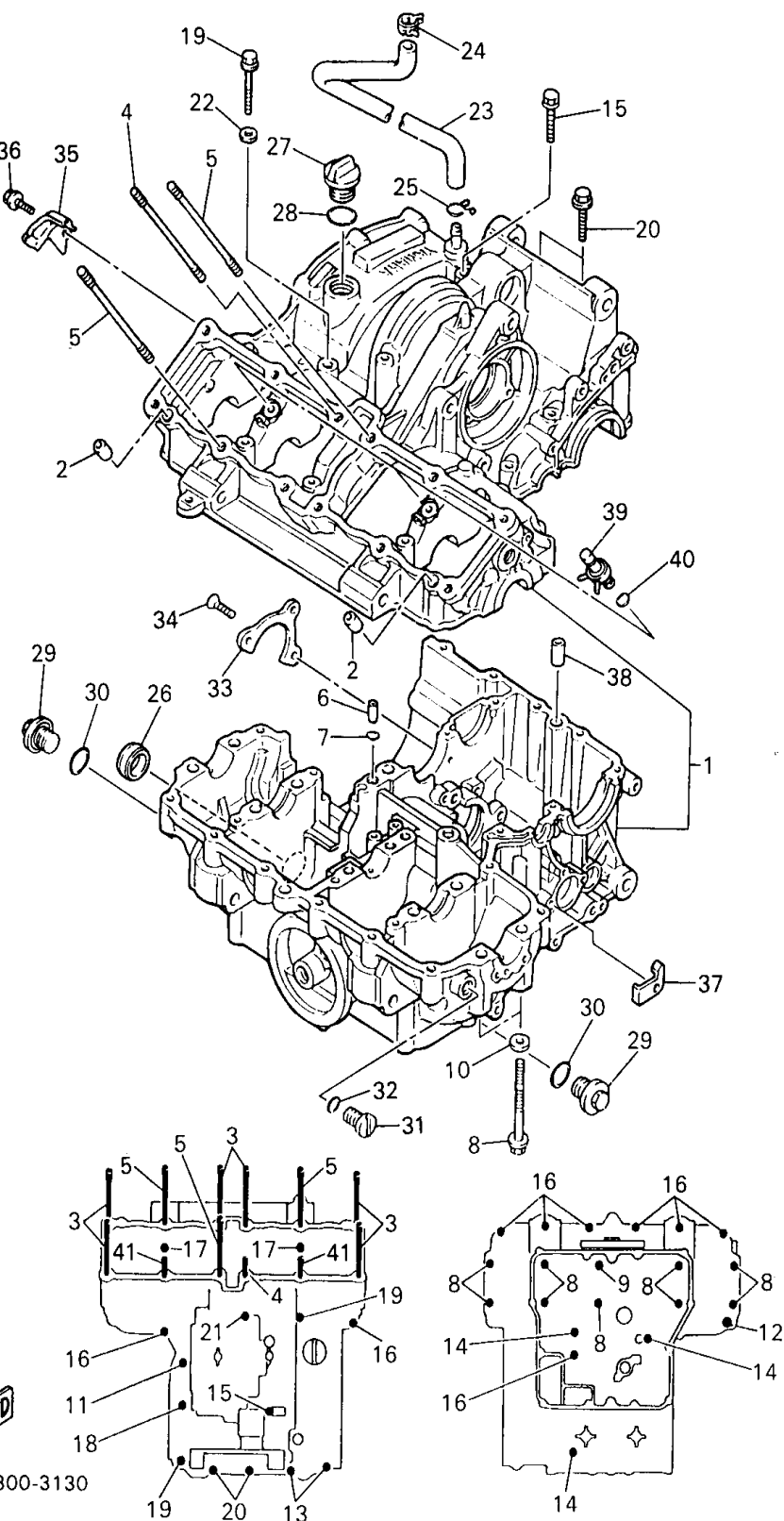


Ref. No.	Part Number	Description	Qty	Remarks
1	4FM-14610-10-00	EXHAUST PIPE ASSEMBLY 1	1	
2	90101-06576-00	. BOLT	4	
3	3GM-14821-01-00	. ARM, SHAFT (VALVE)	1	
4	3GM-14811-00-00	. HOUSING	1	
5	2TK-14845-00-00	. DUST SEAL ASSEMBLY	1	
6	2TK-14867-01-00	. BRACKET	1	
7	90119-06115-00	. BOLT, WITH WASHER	3	
8	90201-106M5-00	. WASHER, PLATE	1	
9	90380-10195-00	. BUSH, SOLID	2	
10	2TK-14865-01-00	. PULLEY	1	
11	92990-05200-00	. WASHER, PLAIN	1	
12	97080-05012-00	. BOLT	1	
13	90387-106U7-00	. COLLAR	1	
14	3GM-14683-00-00	. SPRING, HOOK	1	
15	4FM-24181-00-00	. DAMPER, LOCATING 1	1	
16	4HD-14826-00-00	PROTECTOR, EXHAUST	1	
17	90119-06187-00	BOLT, WITH WASHER	3	
18	4FM-14613-00-00	GASKET, EXHAUST PIPE	4	
19	90179-08410-00	NUT	8	
20	95817-08035-00	BOLT, FLANGE	1	
21	4HN-14710-01-00	MUFFLER ASSEMBLY 1	1	
22	3HE-14755-00-00	. GASKET, SILENCER	1	
23	95817-08025-00	. BOLT, FLANGE	1	
24	4FM-1133E-00-00	CABLE, PULLEY 1	1	
25	4FM-1133F-00-00	CABLE, PULLEY 2	1	



4HD300-3120

CRANKCASE



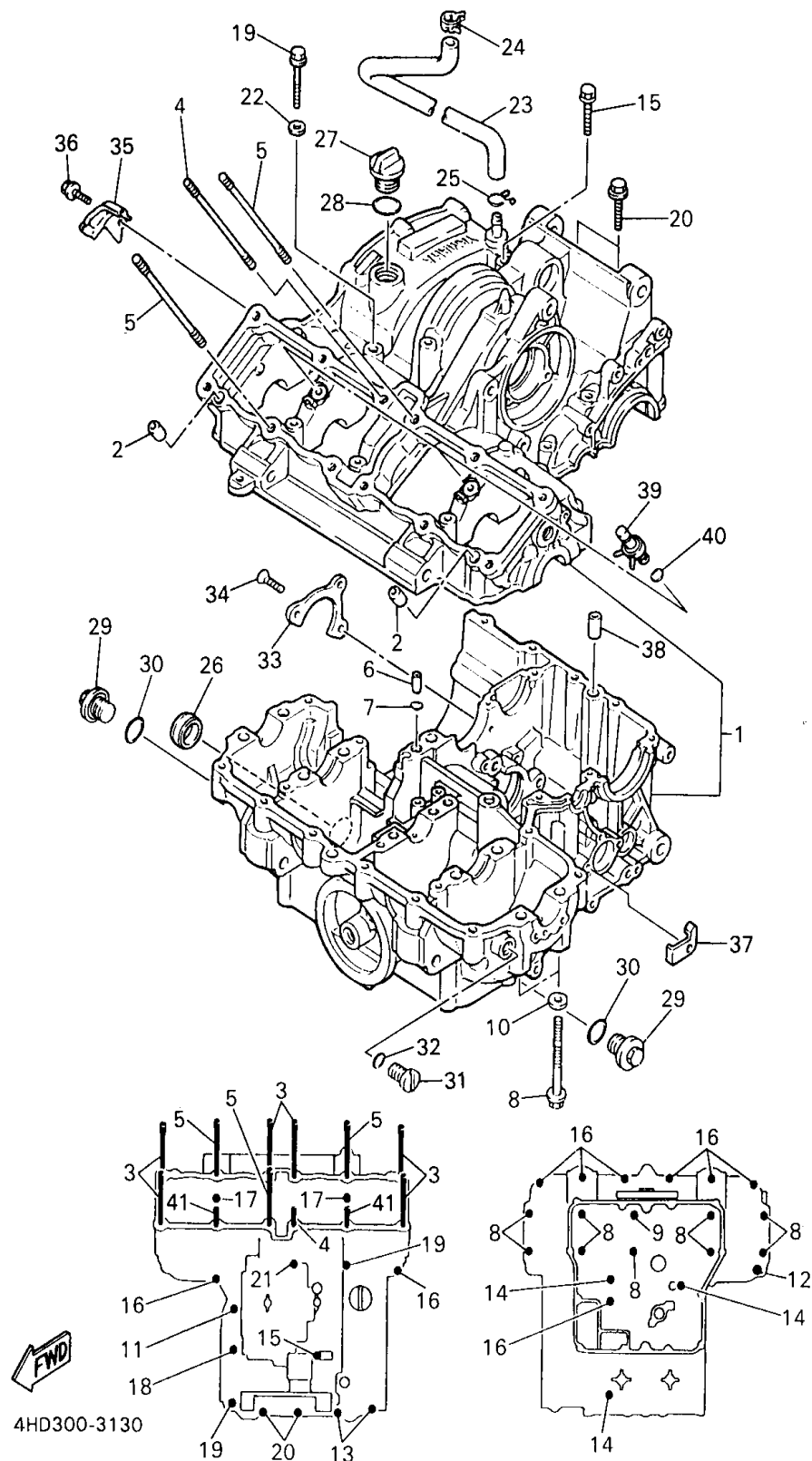
4HD300-3130

Ref. No.	Part Number	Description	Qty	Remarks
1	3GM-15100-54-00	CRANKCASE ASSEMBLY	1	
2	99530-10014-00	PIN, DOWEL	2	
3	90116-10529-00	BOLT, STUD	6	
4	90116-10528-00	BOLT, STUD	1	
5	90116-10569-00	BOLT, STUD	3	
6	90387-05383-00	COLLAR	1	
7	93210-07135-00	O-RING	1	
8	90105-09373-00	BOLT, WASHER BASED	9	
9	90105-09580-00	BOLT, WASHER BASED	1	
10	90201-096J9-00	WASHER, PLATE	4	
11	92990-05200-00	.WASHER, PLAIN	1	
12	95817-08045-00	BOLT, FLANGE	1	
13	95817-06060-00	BOLT, FLANGE	2	
14	95817-06080-00	BOLT, FLANGE	3	
15	95817-06140-00	BOLT, FLANGE	1	
16	95817-08045-00	BOLT, FLANGE	9	
17	95817-08055-00	BOLT, FLANGE	2	
18	95817-08065-00	BOLT, FLANGE	1	
19	95817-08090-00	BOLT, FLANGE	2	
20	95817-08060-00	BOLT, FLANGE	2	
21	90105-09555-00	BOLT, FLANGE	1	
22	90201-08087-00	GASKET	1	
23	3FV-11166-00-00	PIPE, BREATHER 1	1	
24	90467-15054-00	CLIP, SCISSOR	1	
25	90467-14015-00	CLIP	1	
26	90338-30096-00	PLUG	1	
27	3FV-15363-00-00	PLUG, OIL	1	
28	93210-27778-00	O-RING	1	
29	4H7-15189-00-00	PLUG	2	

CONTINUED ON NEXT FRAME ►

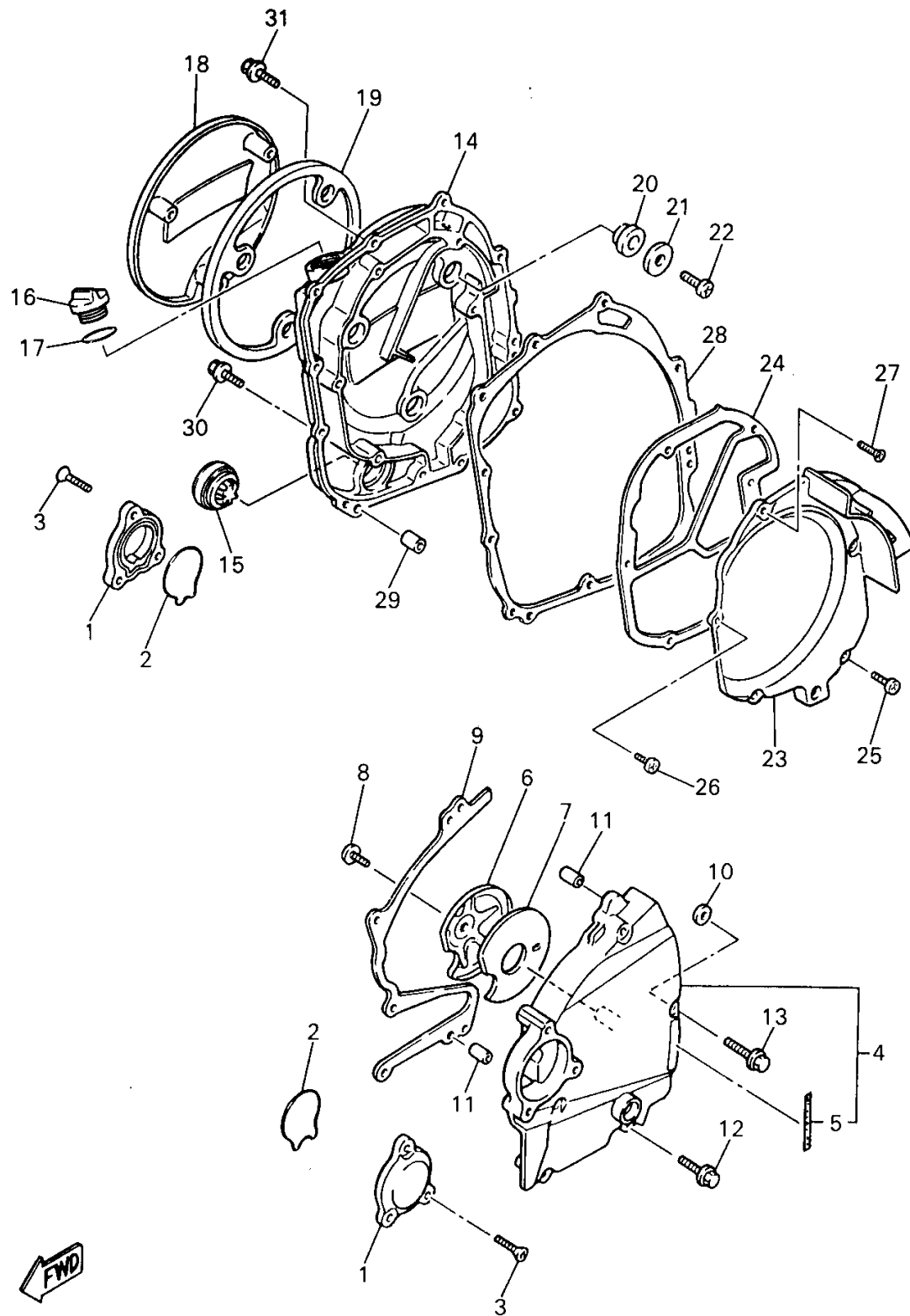
CRANKCASE

Ref. No.	Part Number	Description	Qty	Remarks
30	93210-20573-00	O-RING	2	
31	90340-14068-00	PLUG, STRAIGHT SCREW	1	
32	93210-14369-00	O-RING	1	
33	1AE-15383-00-00	PLATE, BEARING COVER	1	
34	90151-06014-00	SCREW, COUNTERSUNK	3	
35	90462-08184-00	CLAMP	1	
36	95027-06012-00	BOLT, FLANGE	1	
37	90462-08158-00	CLAMP	1	
38	99510-12016-00	PIN, DOWEL	1	
39	3FV-15105-00-00	NOZZLE ASSEMBLY	2	
40	93210-06632-00	O-RING	2	
41	90116-10568-00	BOLT, STUD	2	



4HD300-3130

CRANKCASE COVER 1



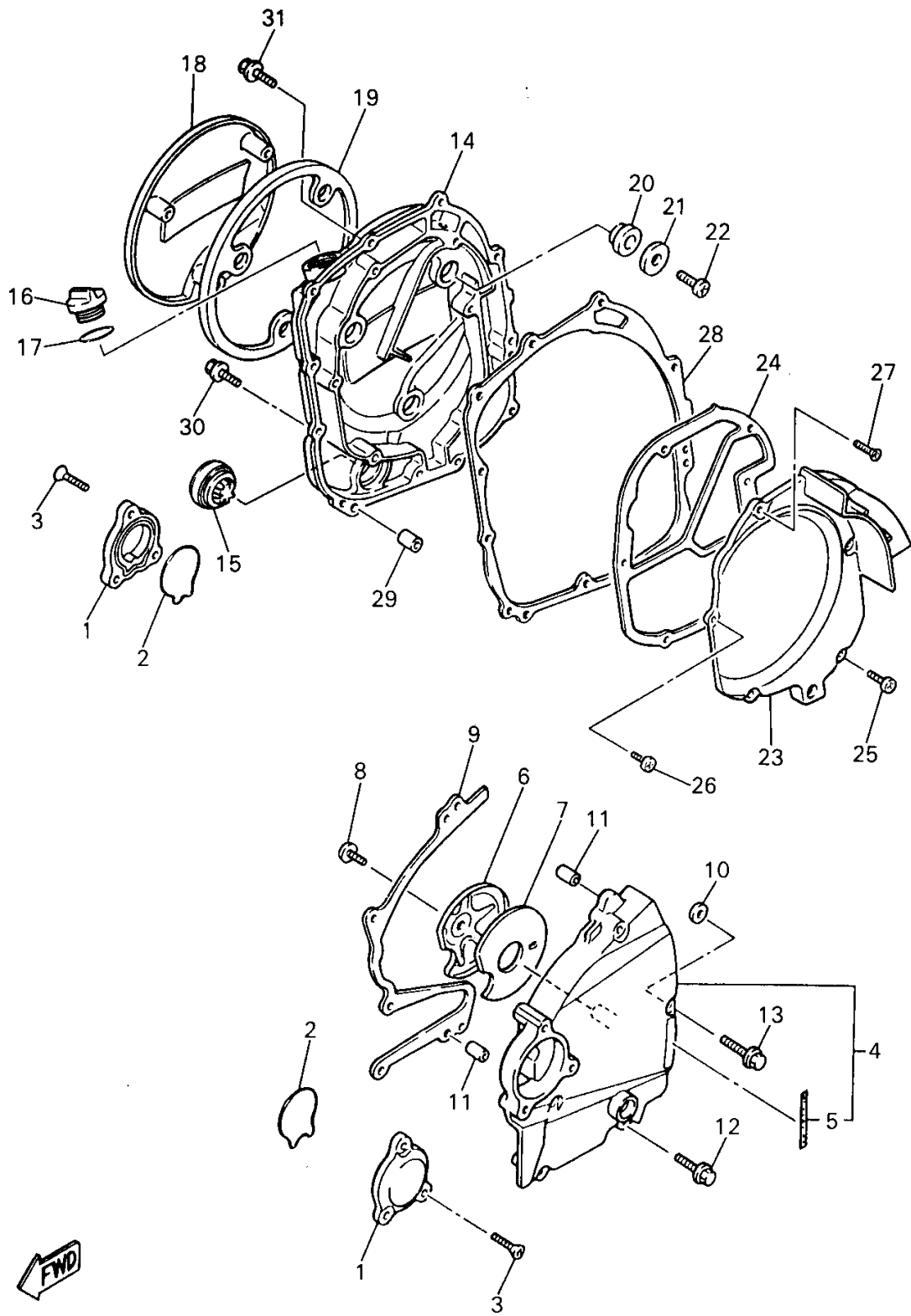
Ref. No.	Part Number	Description	Qty	Remarks
1	3GM-15416-00-00	COVER, OIL PUMP	2	
2	1AE-15456-00-00	GASKET, OIL PUMP COVER 1	2	
3	90152-06014-00	SCREW, COUNTERSUNK	6	
4	4FM-15410-01-00	CRANKCASE COVER ASSEMBLY 1	1	
5	1TV-15435-00-00	. EMBLEM	1	
6	3GM-15427-00-00	COVER, CAP 2	1	
7	1AE-15316-00-00	DAMPER, ENGINE MOUNT 1 ..	1	
8	92017-06010-00	BOLT, BUTTON HEAD	1	
9	4FM-15451-00-00	GASKET, CRANKCASE COVER 1	1	
10	4FM-15467-00-00	GASKET	1	
11	99530-08012-00	PIN, DOWEL	2	
12	95024-06040-00	BOLT, FLANGE	3	
13	95024-06050-00	BOLT, FLANGE	2	
14	4FM-15421-01-00	COVER, CRANKCASE 2	1	
15	3Y1-15361-00-00	GAUGE, LEVEL	1	
16	409-15363-01-00	PLUG, OIL LEVEL (4FM-15362-00-00)	1	
17	93210-27778-00	O-RING	1	
18	3GM-15417-00-00	COVER, CAP	1	
19	3GM-15449-00-00	RING, RUBBER	1	
20	4H7-15486-00-00	GROMMET	3	
21	90209-06096-00	WASHER	3	
22	98507-06010-00	SCREW, PAN HEAD	3	
23	3GM-15346-00-00	BREATHER 1	1	
24	4FM-15463-00-00	GASKET, CARBURETOR COVER 2	1	
25	98517-06020-00	SCREW, PAN HEAD	4	
26	90157-06104-00	SCREW, PAN HEAD	1	

CONTINUED ON NEXT FRAME ►



4HD300-3140

CRANKCASE COVER 1

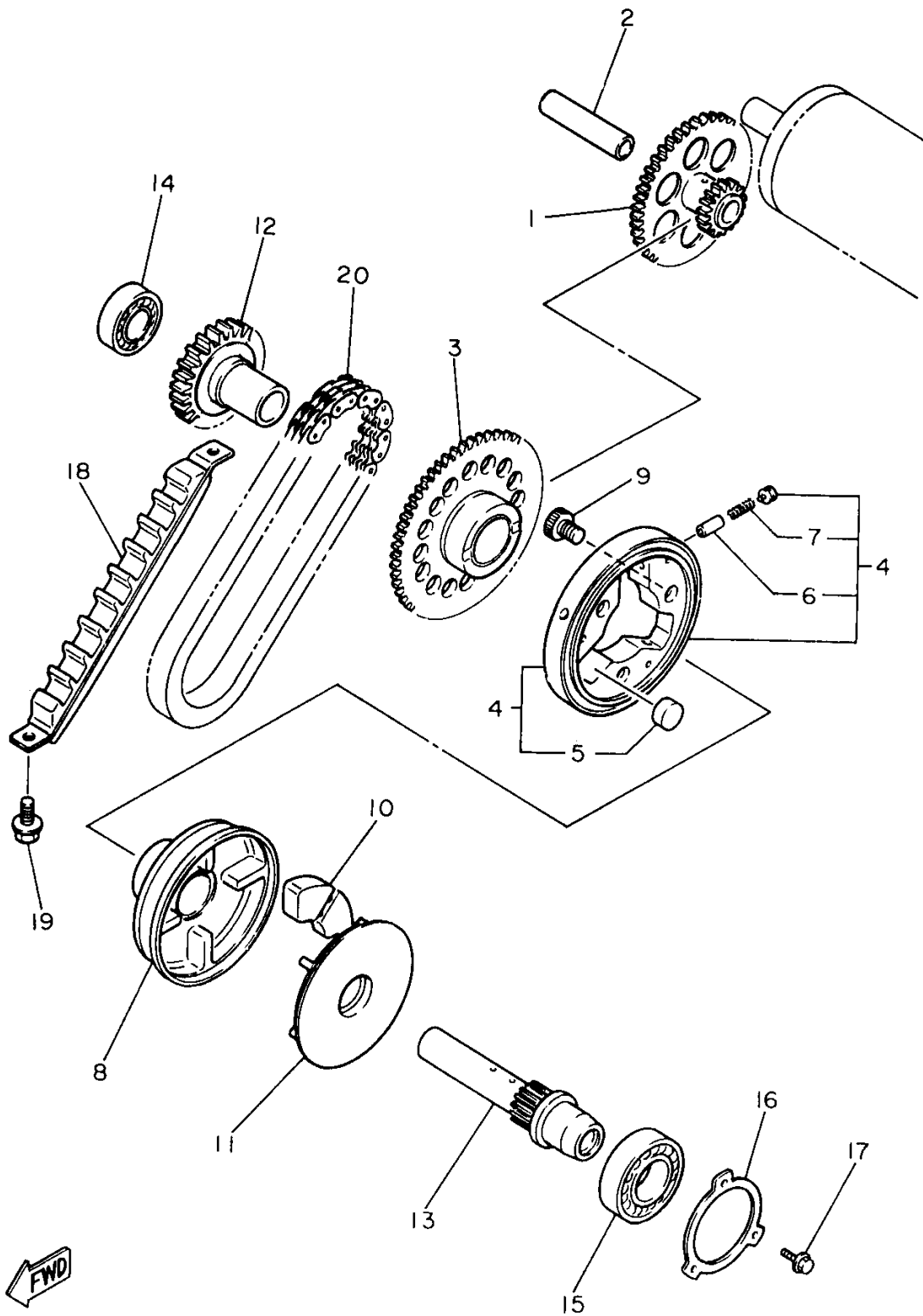


Ref. No.	Part Number	Description	Qty	Remarks
27	90152-06024-00	SCREW, COUNTERSUNK	1	
28	4FM-15461-00-00	GASKET, CRANKCASE COVER 2	1	
29	99530-08012-00	PIN, DOWEL	2	
30	95024-06030-00	BOLT, FLANGE	2	
31	95024-06020-00	BOLT, FLANGE	9	



4HD300-3140

STARTER

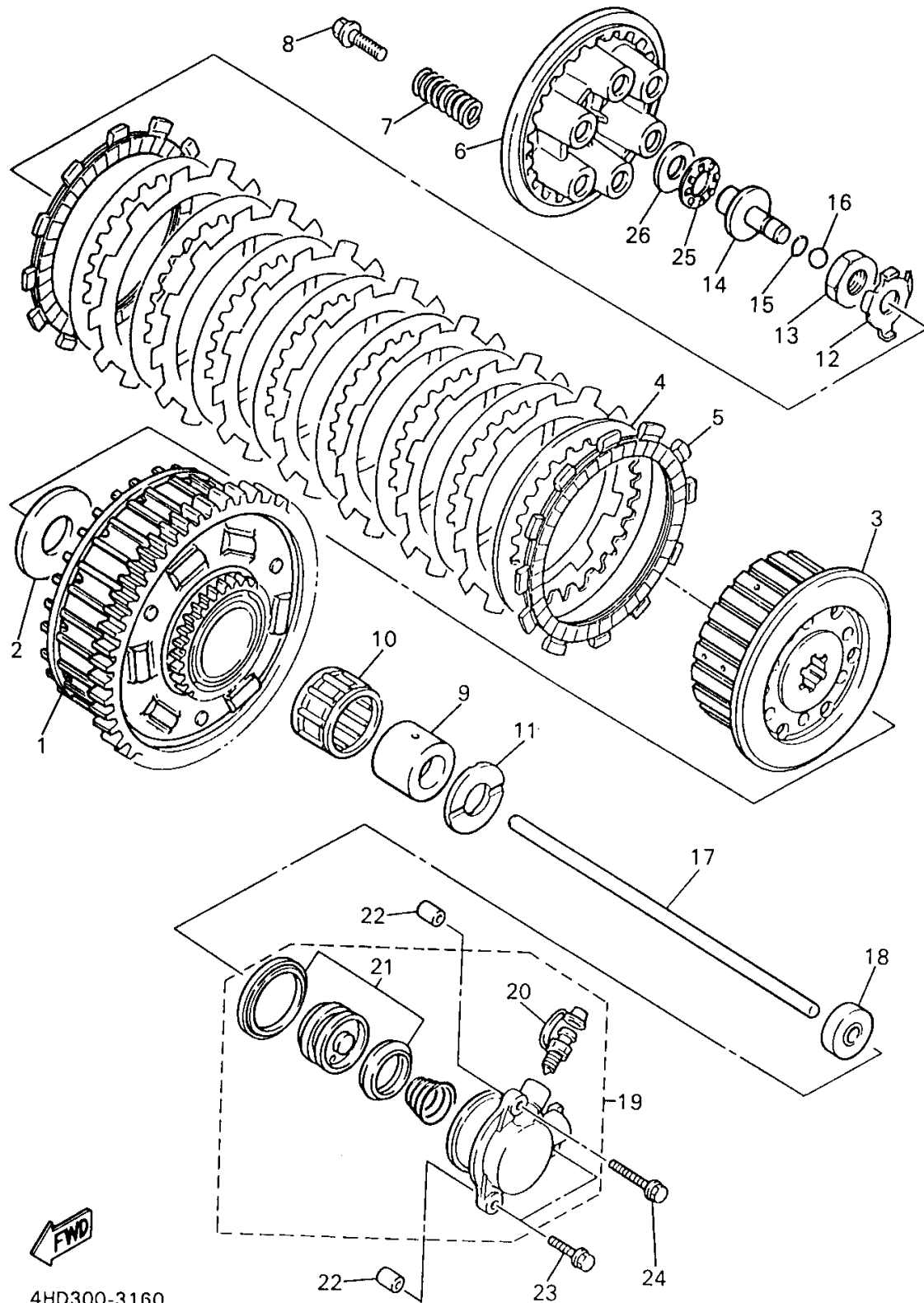


Ref. No.	Part Number	Description	Qty	Remarks
1	3GM-15512-01-00	GEAR, IDLER 1	1	
2	51Y-15521-00-00	SHAFT 1	1	
3	4BH-15517-00-00	GEAR, IDLER 2	1	
4	3GM-15580-00-00	STARTER CLUTCH OUTER ASSEMBLY	1	
5	93615-12088-00	. PIN, DOWEL	3	
6	1J7-15583-01-00	. CAP, STARTER CLUTCH SPRING	3	
7	90501-04623-00	. SPRING, COMPRESSION	3	
8	3GM-15524-00-00	WHEEL, STARTER	1	
9	90110-08177-00	BOLT, HEXAGON SOCKET HEAD	3	
10	4H7-16155-01-00	ABSORBER 1	4	
11	3GM-15689-00-00	RETAINER	1	
12	3GM-15519-00-00	SPROCKET, STARTER 2	1	
13	3GM-15522-00-00	SHAFT 2	1	
14	93306-20335-00	BEARING	1	
15	93306-20541-00	BEARING (B6205)	1	
16	1AE-15381-00-00	PLATE, BEARING COVER	1	
17	95027-06016-00	BOLT, FLANGE	3	
18	3GM-11474-00-00	GUIDE, UPPER	1	
19	95817-06014-00	BOLT, FLANGE	2	
20	4FM-11456-00-00	CHAIN, PRIMARY	1	



3KS351-9150

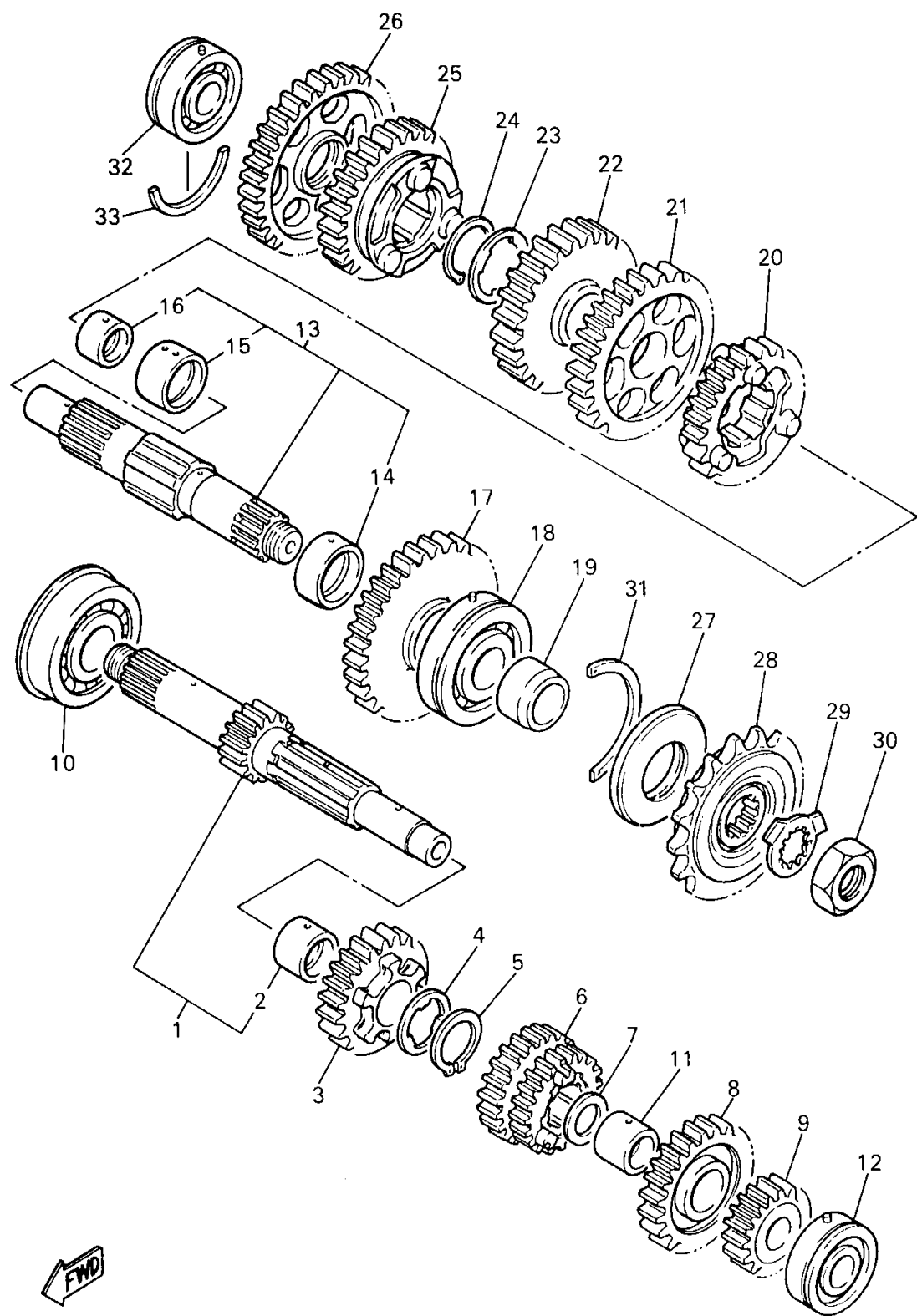
CLUTCH



4HD300-3160

Ref. No.	Part Number	Description	Qty	Remarks
1	4FM-16150-00-00	PRIMARY DRIVEN GEAR COMP.	1	
2	1AE-16154-00-00	PLATE, THRUST 1	1	
3	2GH-16371-00-00	BOSS, CLUTCH	1	
4	3J2-16324-00-00	PLATE, CLUTCH 1	8	
5	4FN-16321-00-00	PLATE, FRICTION	9	
6	58L-16351-00-00	PLATE, PRESSURE 1	1	
7	90501-225A9-00	SPRING, COMPRESSION	6	
8	90159-06123-00	SCREW, WITH WASHER	6	
9	90560-25270-00	SPACER	1	
10	93310-340N8-00	BEARING, CYL # 0	1	
11	1AE-16164-00-00	PLATE, THRUST 2	1	
12	90215-20231-00	WASHER, LOCK	1	
13	90170-20327-00	NUT, HEXAGON	1	
14	1LJ-16356-00-00	ROD, PUSH 1	1	
15	93210-06632-00	O-RING	1	
16	93511-32027-00	BALL	1	
17	1AE-16357-00-00	ROD, PUSH 2	1	
18	93109-08061-00	OIL SEAL	1	
19	1TV-16381-11-00	PUSH LEVER COMP.	1	
20	36Y-W0048-00-00	. BLEED SCREW KIT	1	
21	26H-W0098-00-00	. .PUSH LEVER SEAL KIT	1	
22	99510-08012-00	PIN, DOWEL	2	
23	95027-06030-00	BOLT, FLANGE	2	
24	95027-06090-00	BOLT, FLANGE	1	
25	93340-21505-00	BEARING	1	
26	90201-150H2-00	WASHER, PLATE	1	

TRANSMISSION



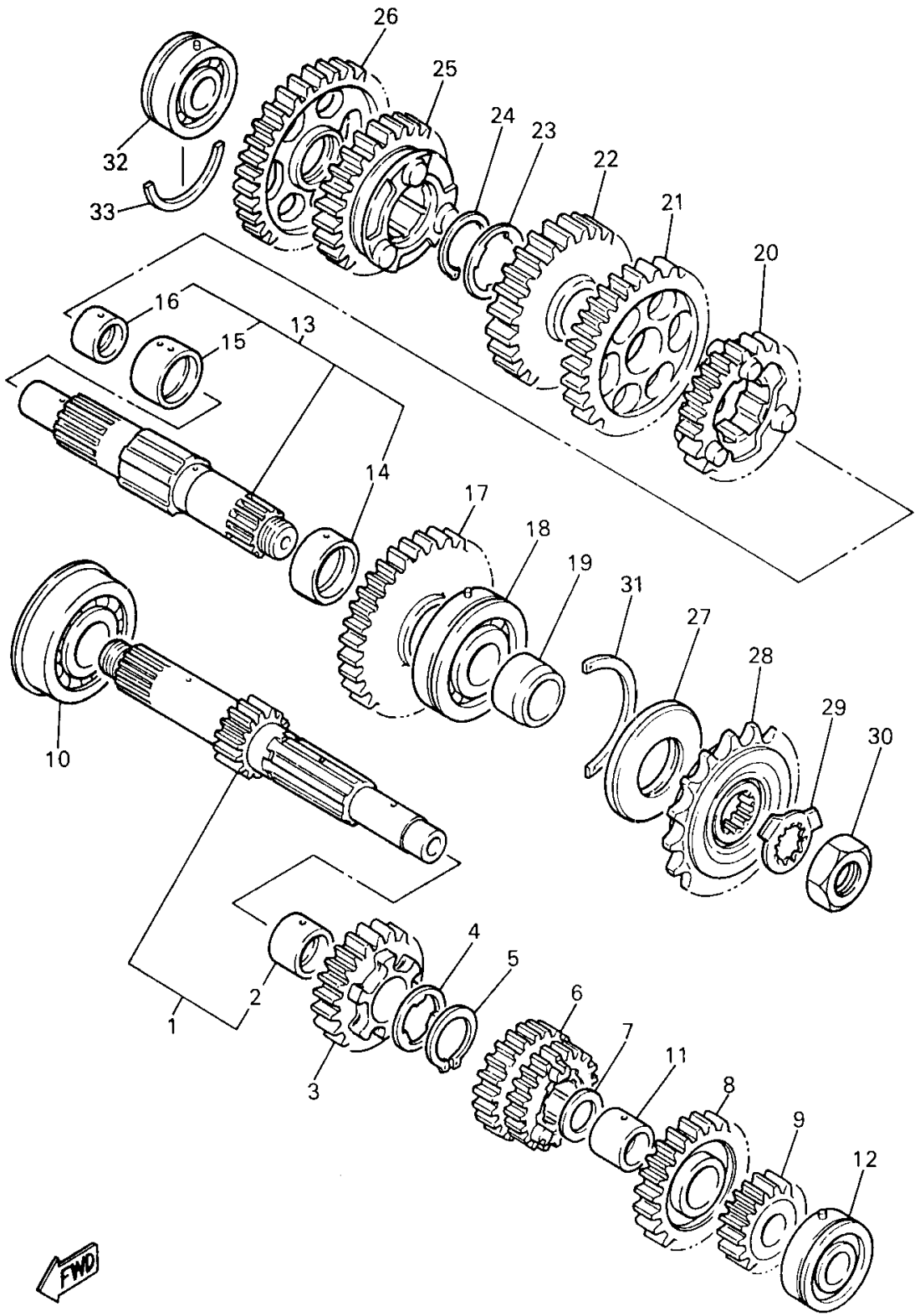
Ref. No.	Part Number	Description	Qty	Remarks
1	4FM-W1741-00-00	MAIN AXLE ASSEMBLY	1	
2	90387-253M6-00	. COLLAR	1	
3	4FM-17151-00-00	GEAR, 5TH PINION	1	
4	90209-22191-00	WASHER	1	
5	93440-25084-00	CIRCLIP, OUTER	1	
6	4FM-17131-00-00	GEAR, 3RD PINION	1	
7	90201-200K3-00	WASHER, PLATE	1	
8	4FM-17161-00-00	GEAR, 6TH PINION	1	
9	3FV-17121-00-00	GEAR, 2ND PINION (17T)	1	
10	93306-30560-00	BEARING	1	
11	90387-203M7-00	COLLAR	1	
12	93306-20455-00	BEARING	1	
13	3FV-W1742-00-00	DRIVE AXLE ASSEMBLY	1	
14	90387-263M8-00	. COLLAR	1	
15	90387-284M0-00	. COLLAR	1	
16	90387-204M1-00	. COLLAR	1	
17	4FM-17221-00-00	GEAR, 2ND WHEEL	1	
18	93305-30501-00	BEARING	1	
19	90387-255V9-00	COLLAR	1	
20	4FM-17261-00-00	GEAR, 6TH WHEEL	1	
21	4FM-17231-00-00	GEAR, 3RD WHEEL	1	
22	4FM-17241-00-00	GEAR, 4TH WHEEL	1	
23	90209-25196-00	WASHER	1	
24	93440-28062-00	CIRCLIP	1	
25	4FM-17251-00-00	GEAR, 5TH WHEEL	1	
26	4FM-17211-00-00	GEAR, 1ST WHEEL	1	
27	93102-35423-00	OIL SEAL, SD-TYPE	1	
28	2GH-17460-00-00	SPROCKET, DRIVE 16T(2GH1746160)	1	

CONTINUED ON NEXT FRAME ►



4HD300-3170

TRANSMISSION

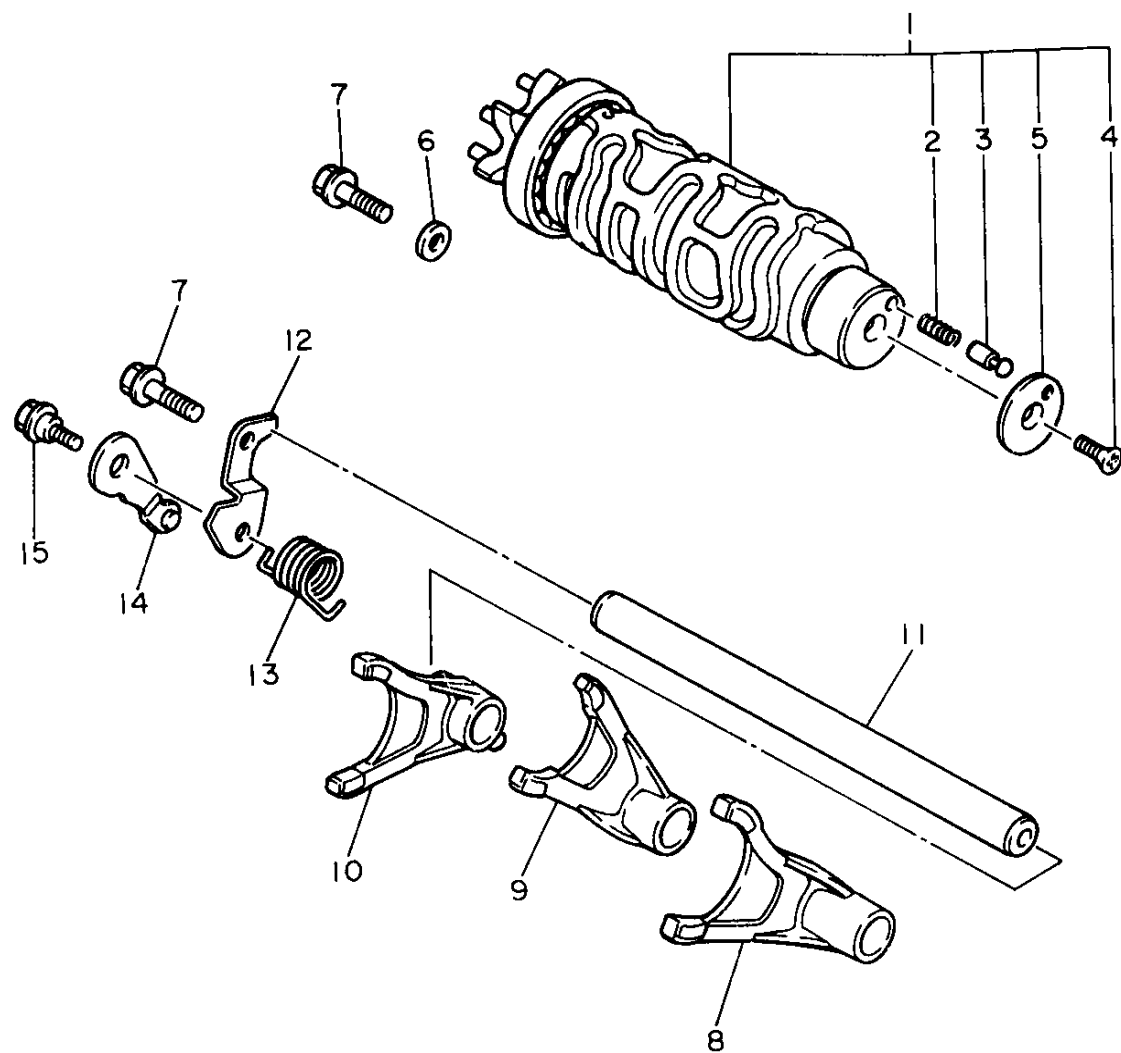


Ref. No.	Part Number	Description	Qty	Remarks
29	90215-21022-00	WASHER, LOCK	1	
30	90179-18020-00	NUT, SPEC'L SHAPE	1	
31	278-17424-01-00	CIRCLIP 1	1	
32	93306-20455-00	BEARING	1	
33	93440-45144-00	CIRCLIP	1	



4HD300-3170

SHIFT CAM - SHIFT FORK

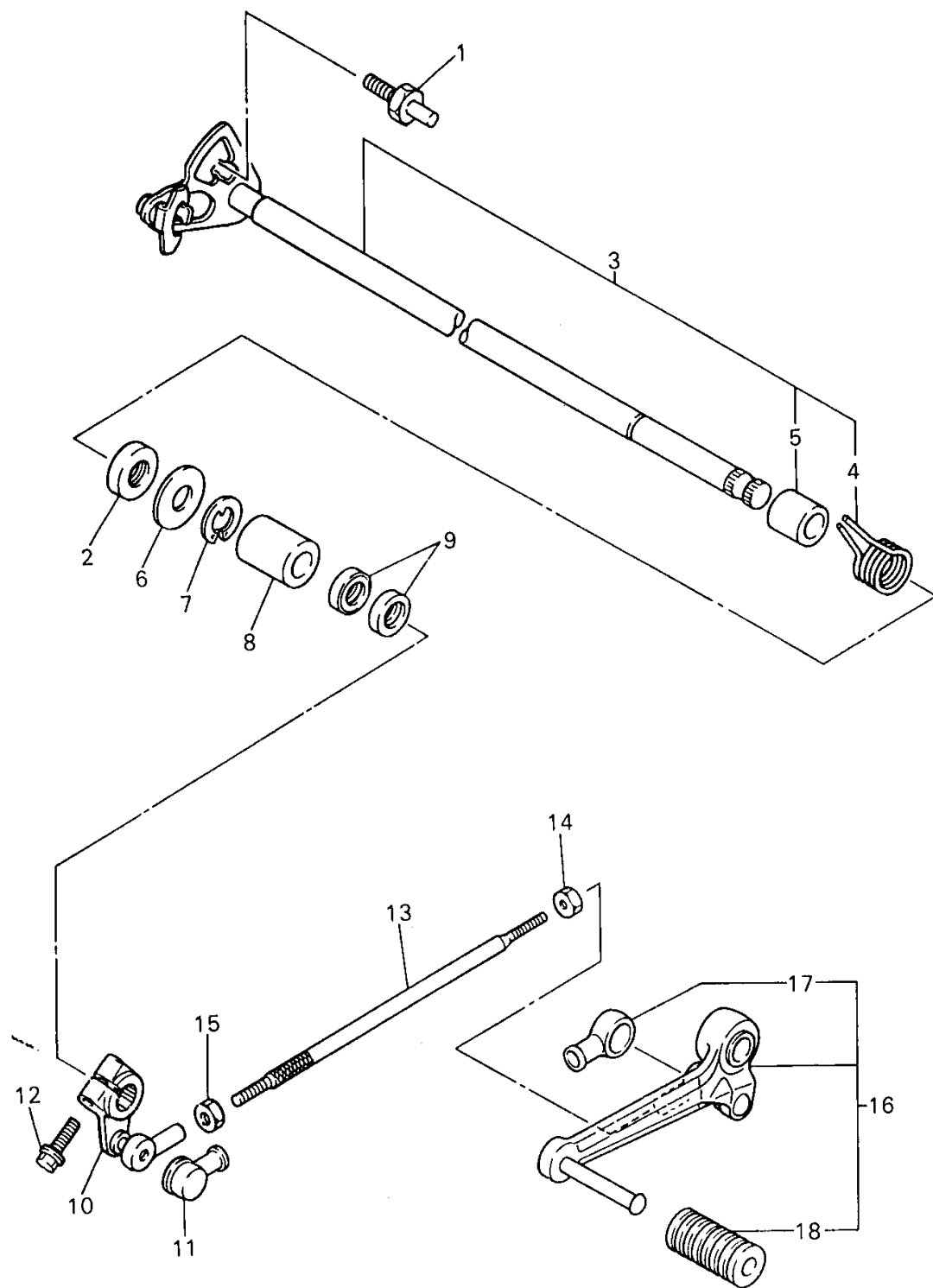


Ref. No.	Part Number	Description	Qty	Remarks
1	4FM-18540-00-00	SHIFT CAM ASSEMBLY	1	
2	90501-06022-00	. .SPRING, COMPRESSION	1	
3	278-18542-00-00	. POINT, NEUTRAL	1	
4	98707-05012-00	. SCREW, COUNTERSUNK	1	
5	278-18566-00-00	. PLATE, SIDE 2	1	
6	90201-06643-00	WASHER, PLATE	1	
7	95817-06016-00	BOLT, FLANGE	2	
8	4FM-18511-00-00	FORK, SHIFT 1	1	
9	4FM-18512-00-00	FORK, SHIFT 2	1	
10	4FM-18513-00-00	FORK, SHIFT 3	1	
11	4BH-18531-00-00	BAR, SHIFT FORK GUIDE 1	1	
12	1AE-18536-00-00	STOPPER, SHIFT BAR	1	
13	90508-26681-00	SPRING, TORSION	1	
14	36Y-18140-00-00	STOPPER LEVER ASSY	1	
15	90109-063F8-00	BOLT	1	



1FN310-5180

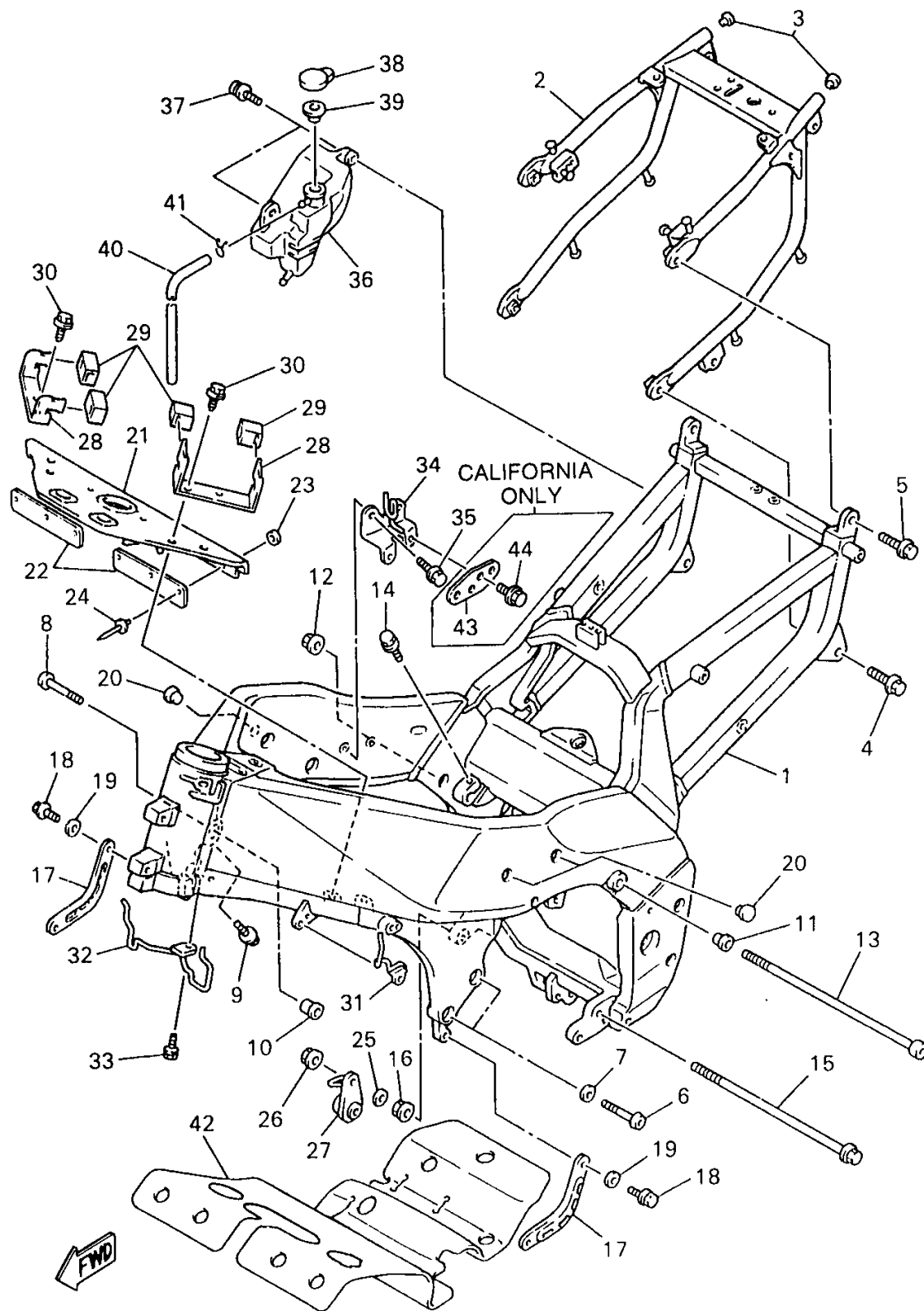
SHIFT SHAFT



Ref. No.	Part Number	Description	Qty	Remarks
1	4G0-18127-00-00	STOPPER, SCREW	1	
2	93102-12321-00	OIL SEAL, SD-TYPE	1	
3	1AE-18101-01-00	SHIFT SHAFT ASSEMBLY	1	
4	90508-32682-00	. SPRING, TORSION	1	
5	90387-114K8-00	. COLLAR	1	
6	90201-12575-00	WASHER, PLATE	1	
7	99006-10600-00	CIRCLIP	1	
8	90560-12191-00	SPACER	1	
9	93109-12053-00	OIL SEAL (SDO 12/18/4-1)	2	
10	2GH-18112-01-00	ARM, SHIFT	1	
11	2H9-18154-00-00	.COVER, DUST	1	
12	95824-06020-00	BOLT, FLANGE	1	
13	1WG-18115-00-00	ROD, SHIFT	1	
14	90170-06228-00	NUT HEXAGON	1	
15	95304-06700-00	NUT	1	
16	4FM-18110-01-00	SHIFT PEDAL ASSEMBLY	1	
17	2H9-18154-00-00	.COVER, DUST	1	
18	132-18113-01-00	.COVER, SHIFT PEDAL	1	

FWD
4HD300-3190

FRAME

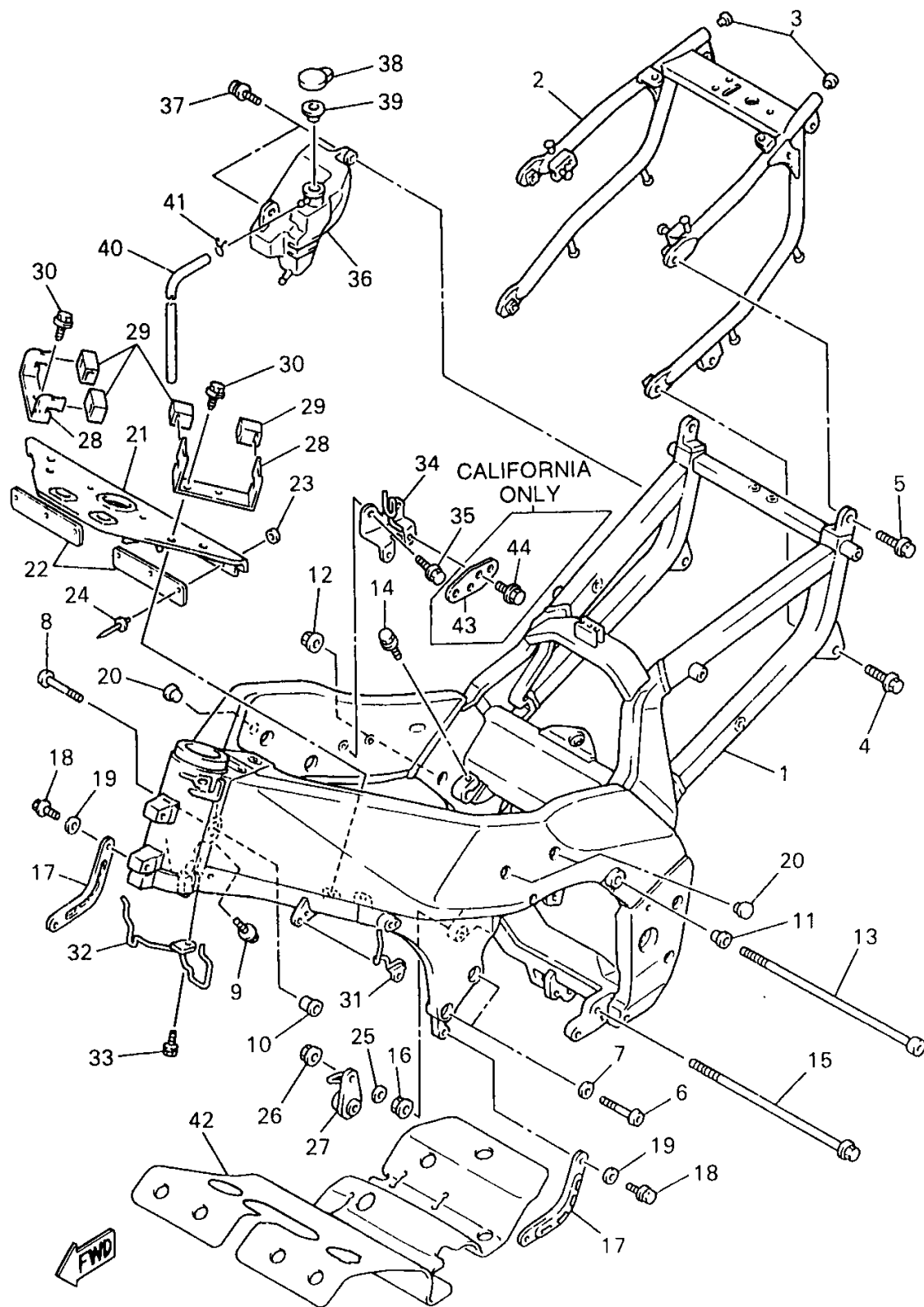


Ref. No.	Part Number	Description	Qty	Remarks
1	4FM-21110-10-00	FRAME COMP.	1	
2	4FM-21645-01-00	STAY, REAR	1	
3	90338-16148-00	PLUG	2	
4	95814-08035-00	BOLT, FLANGE	2	
5	95814-08016-00	BOLT, FLANGE	2	
6	91314-10040-00	BOLT	2	
7	92907-10600-00	.WASHER, PLATE	2	
8	91314-10045-00	BOLT	2	
9	91314-08030-00	BOLT	2	
10	90387-115V8-00	COLLAR	2	
11	90387-105V7-00	COLLAR	1	
12	90179-10682-00	NUT	1	
13	90110-10169-00	BOLT, HEXAGON SOCKET HEAD	1	
14	95817-08030-00	BOLT, FLANGE	2	
15	90105-10716-00	BOLT, WASHER BASED	1	
16	90179-10658-00	NUT	1	
17	4FM-2142K-02-00	BRACKET, RADIATOR	2	
18	97007-06012-00	BOLT	2	
19	92907-06600-00	WASHER, PLATE	2	
20	90338-15202-00	PLUG	3	
21	4FM-2117M-01-00	COVER 2	1	
22	4FM-2117N-00-00	COVER 3	2	
23	90201-04018-00	WASHER, PLATE	6	
24	90267-40076-00	RIVET, BLIND	6	
25	90201-101J1-00	WASHER, PLATE	1	
26	95707-10500-00	NUT, FLANGE	1	
27	4FM-21446-00-00	STAY, MUFFLER 2	1	
28	4FM-21359-10-00	BRACKET, COIL	2	

CONTINUED ON NEXT FRAME ►

4LE110-5200

FRAME



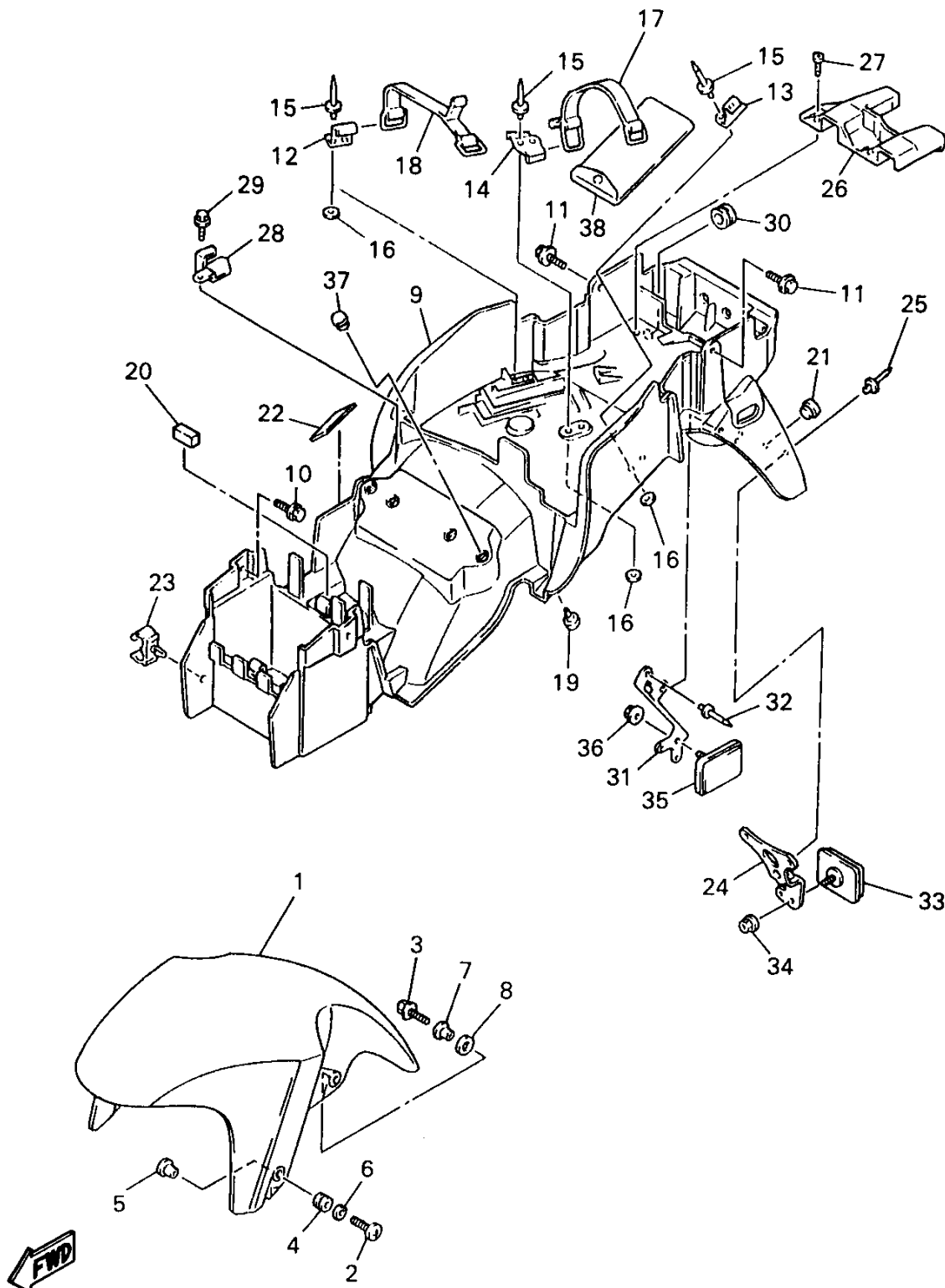
Ref. No.	Part Number	Description	Qty	Remarks
29	4BH-82317-01-00	DAMPER, IGNITION COIL	4	
30	90119-06018-00	BOLT, WITH WASHER	4	
31	4FM-21161-01-00	HOLDER, CABLE	1	
32	4FM-21162-00-00	HOLDER, CLUTCH CABLE	1	
33	90101-06664-00	BOLT	1	
34	4FM-2116J-10-00	BRACKET 7	1	
35	95807-06016-00	BOLT, FLANGE	2	
36	4FM-21871-01-00	TANK, RECOVERY	1	
37	90159-06033-00	SCREW, WITH WASHER	2	
38	1AA-21815-00-00	CAP	1	
39	1AA-21874-00-00	.GASKET	1	
40	90445-084G9-00	HOSE	1	
41	90467-08003-00	.CLIP	1	
42	4FM-12683-00-00	PROTECTOR, HEAT	1	UR
	4LE-12683-00-00	PROTECTOR, HEAT	1	UR CA ONLY
43	4FM-2116K-00-00	BRACKET 8	1	CA ONLY
44	95817-06010-00	BOLT, FLANGE	2	CA ONLY

4LE110-5200

FENDER

Ref. No.	Part Number	Description	Qty	Remarks
1	4FM-21511-03-P3	FENDER, FRONT	1	VIVID RED COCKTAIL 1 (121)
2	90154-06061-00	SCREW, BINDING	2	
3	95807-06016-00	BOLT, FLANGE	2	
4	90480-12596-00	GROMMET	2	
5	90387-0608A-00	COLLAR	2	
6	90209-18340-00	WASHER	2	
7	90387-087L0-00	COLLAR	2	
8	4FM-28372-00-00	DAMPER	2	
9	4FM-21611-03-00	FENDER, REAR (4FM-21611-13-00)	1	
10	90119-06118-00	BOLT, WITH WASHER	2	
11	90119-06205-00	BOLT, WITH WASHER	2	
12	3VD-21366-00-00	HOOK, TOOL BAND	1	
13	1M1-21366-00-00	HOOK, TOOL BAND	1	
14	4JH-2161A-00-00	BRACKET 3	1	
15	90267-40076-00	RIVET, BLIND	6	
16	90201-04018-00	WASHER, PLATE	6	
17	36X-2811G-00-00	BAND	1	
18	4J2-82131-01-00	BAND, BATTERY	1	
19	35T-24724-00-00	DAMPER, SEAT	2	
20	1LJ-2414J-00-00	DAMPER, PLATE 2	1	
21	4G0-21639-00-00	.DAMPER 2	1	
22	3XV-21778-00-00	DAMPER, LOCATING 1	1	
23	90464-09130-00	CLAMP	1	
24	4FM-85132-00-00	BRACKET, REFLECTOR 1	1	
25	90267-40029-00	RIVET, BLIND	2	
26	4JH-2163A-00-00	COVER, REAR FENDER 1	1	
27	97707-60016-00	SCREW, TAPPING	2	

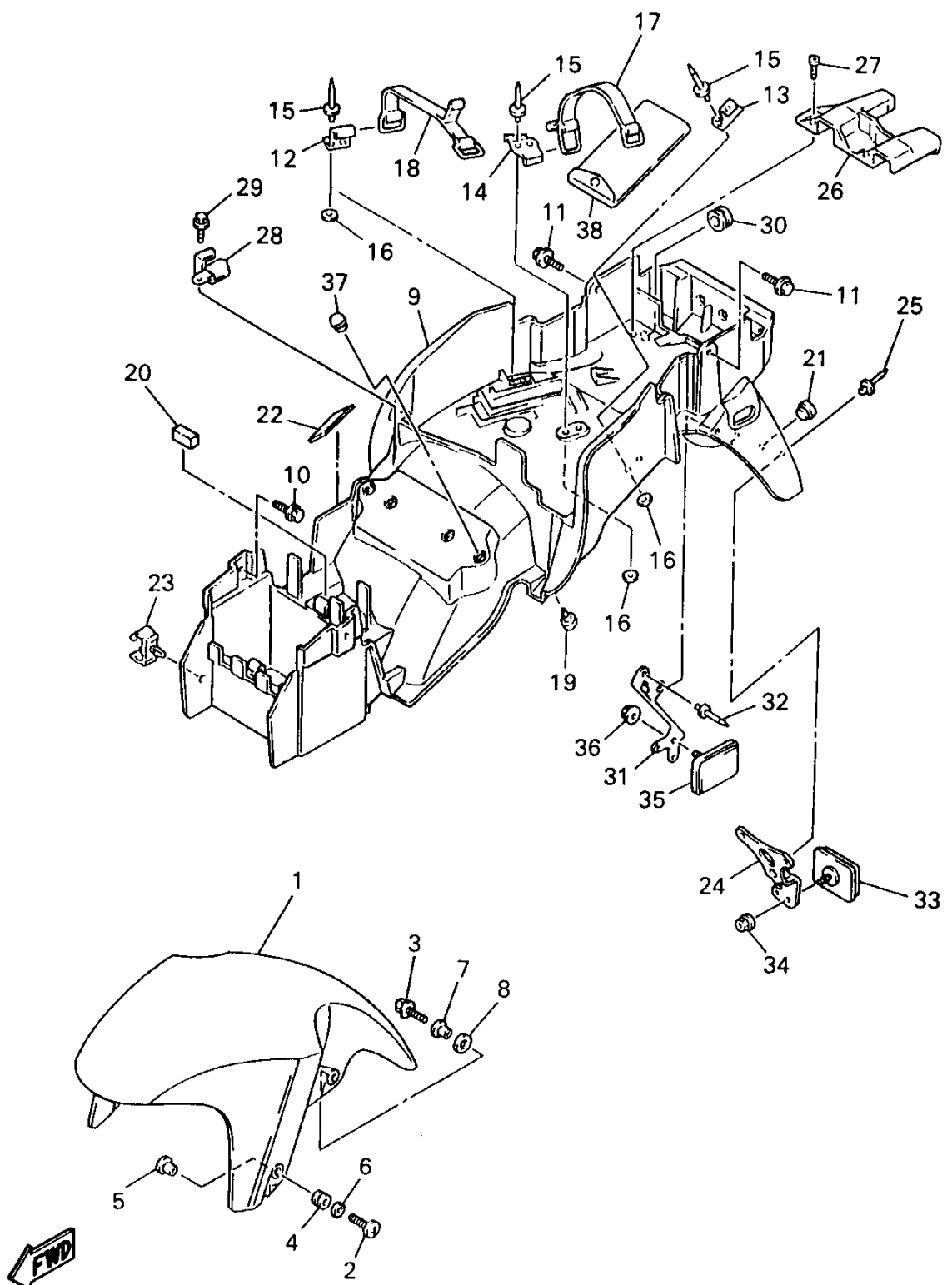
CONTINUED ON NEXT FRAME ►



4LE110-7210

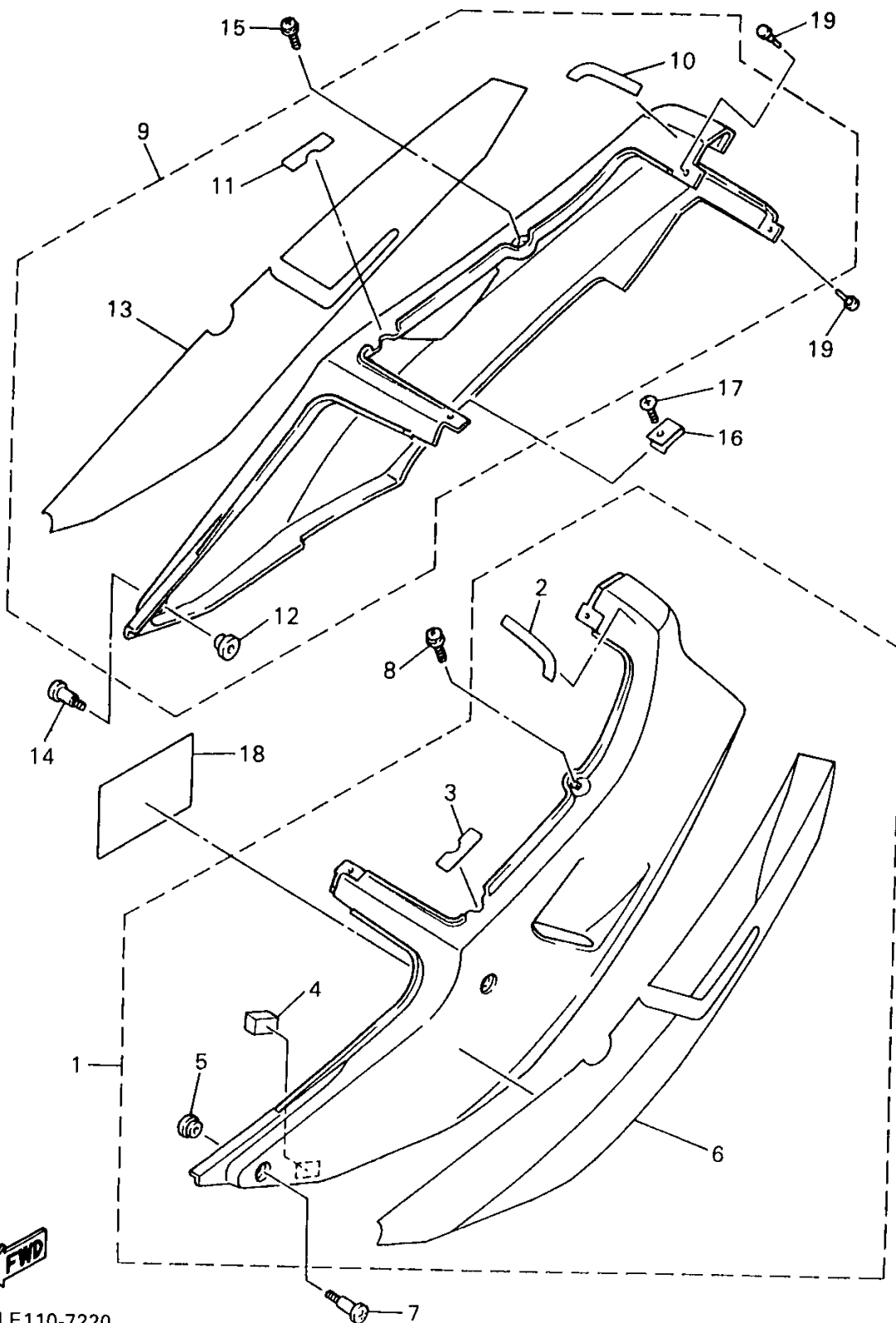
FENDER

Ref. No.	Part Number	Description	Qty	Remarks
28	4JH-21366-00-00	HOOK, TOOL BAND	1	
29	95807-06016-00	BOLT, FLANGE	1	
30	90480-10258-00	GROMMET	2	
31	4FM-21688-00-00	BRACKET, REAR STAY	2	
32	90267-40029-00	RIVET, BLIND	4	
33	3G1-85130-01-00	REAR REFLECTOR ASSY	1	
34	95707-05500-00	NUT, FLANGE	1	
35	3G1-85130-01-00	REAR REFLECTOR ASSY	2	
36	95707-05500-00	NUT, FLANGE	2	
37	90338-10132-00	PLUG	1	
38	4FM-28100-10-00	TOOL KIT	1	



4LE110-7210

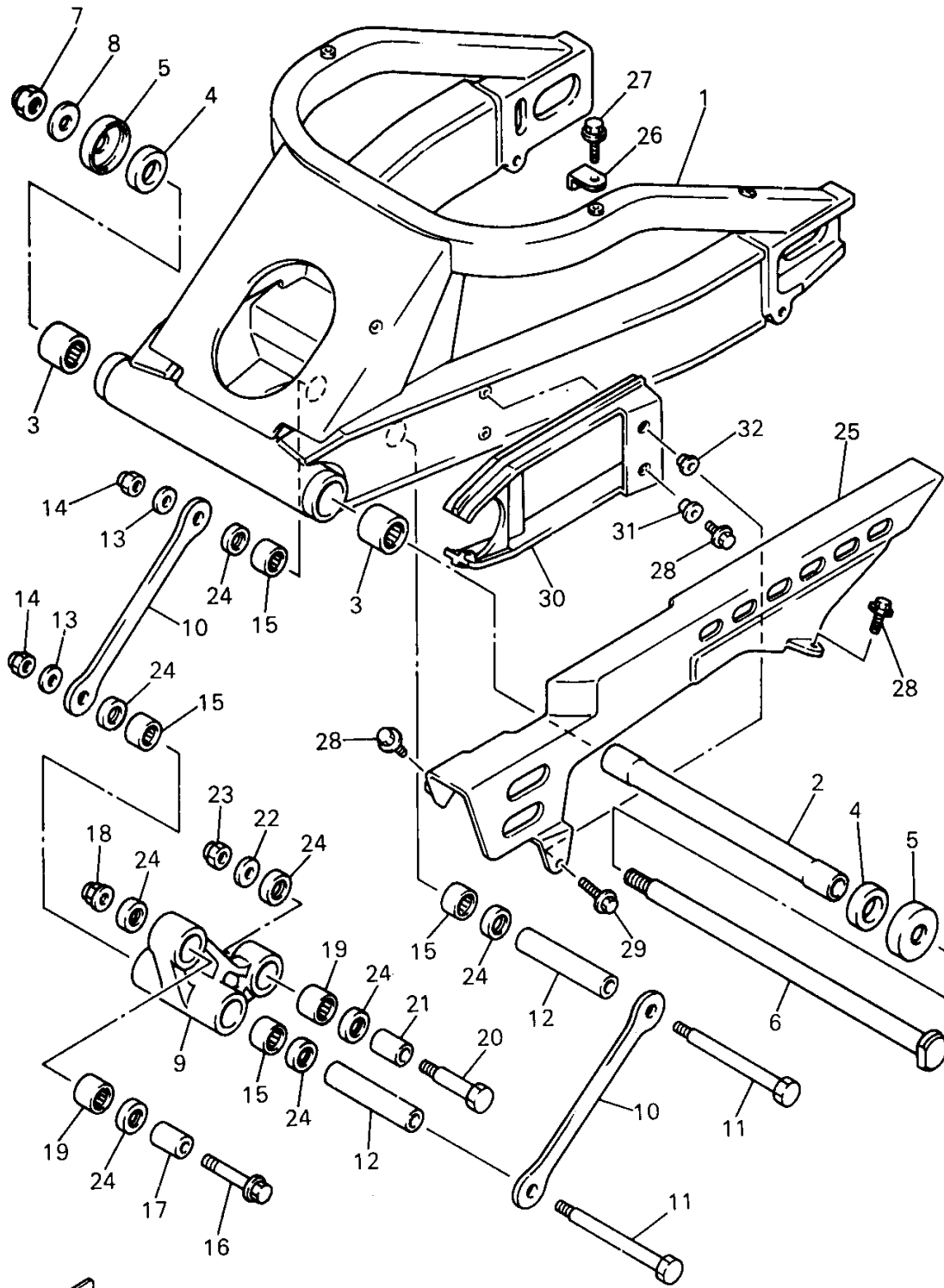
SIDE COVER



4LE110-7220

Ref. No.	Part Number	Description	Qty	Remarks
1	4FM-Y2171-R1-P5	COVER, SIDE 1	1	VIVID RED COCKTAIL 1 (121)
2	3GM-21575-00-00	. SEAL 1	1	
3	4FM-2173T-00-00	. TAPE 1	1	
4	1WG-2143A-00-00	. CAP	1	
5	90480-13398-00	. GROMMET	2	
6	4HD-2173E-10-00	. GRAPHIC 1	1	
7	90150-06036-00	SCREW, ROUND HEAD	2	
8	90159-06093-00	SCREW, WITH WASHER	1	
9	4FM-Y2172-C1-P5	COVER, SIDE 2	1	VIVID RED COCKTAIL 1 (121)
10	3GM-21576-00-00	. SEAL 2	1	
11	4FM-2173T-00-00	. TAPE 1	1	
12	90480-13398-00	. GROMMET	2	
13	4HD-2173F-10-00	. GRAPHIC 2	1	
14	90150-06036-00	SCREW, ROUND HEAD	2	
15	90159-06093-00	SCREW, WITH WASHER	1	
16	90183-04064-00	NUT, SPRING	1	
17	97707-40010-00	SCREW, TAPPING	1	
18	4LE-2179V-20-00	PLATE, EPA 1	1	UR NON-CA
	4LE-2179R-20-00	PLATE, EPA 2	1	UR CA ONLY
19	90480-04166-00	GROMMET	2	

REAR ARM

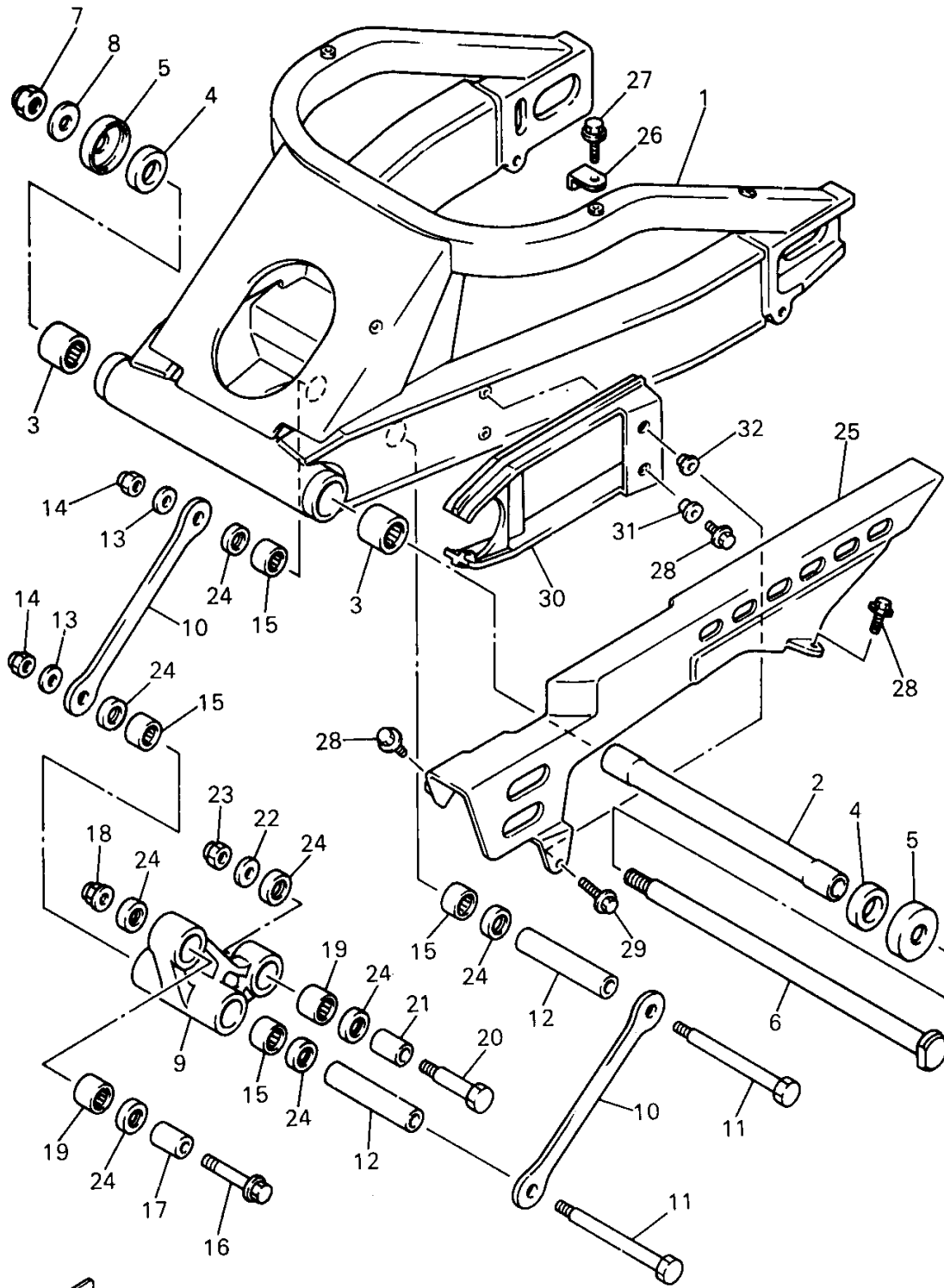


Ref. No.	Part Number	Description	Qty	Remarks
1	4FM-22110-10-00	REAR ARM COMP.	1	
2	3FV-22184-00-00	BUSH	1	
3	93315-42523-00	BEARING, CYLINDER # 5	2	
4	93342-22502-00	BEARING, THRUST	2	
5	3FV-22128-00-00	COVER, THRUST 1	2	
6	3GM-22141-00-00	SHAFT, PIVOT	1	
7	90185-18104-00	NUT, SELF-LOCKING	1	
8	90201-18264-00	WASHER, PLATE	1	
9	4FM-2217A-00-00	ARM, RELAY	1	
10	4BH-2217M-00-00	ARM 1	2	
11	90101-10658-00	BOLT	2	
12	90387-122R5-00	COLLAR	2	
13	90201-101J1-00	WASHER, PLATE	2	
14	95617-10100-00	NUT, U	2	
15	93317-21746-00	BEARING, CYLINDER # 7	4	
16	90105-10376-00	BOLT, FLANGE	1	
17	90387-102R4-00	COLLAR	1	
18	95617-10200-00	BOLT, STUD	1	
19	93317-31771-00	BEARING	2	
20	90101-10659-00	BOLT	1	
21	90387-127W0-00	COLLAR	1	
22	90201-101J1-00	WASHER, PLATE	1	
23	95617-10100-00	NUT, U	1	
24	93109-17048-00	OIL SEAL (SDO 17-24-4)	8	
25	4FM-22311-00-00	CASE, CHAIN	1	
26	4FM-2213J-00-00	STAY, CHAIN CASE	1	
27	95024-06016-00	BOLT, WASHER BASED	1	
28	90119-06060-00	BOLT, WITH WASHER	3	
29	90119-06163-00	BOLT, WITH WASHER	1	

CONTINUED ON NEXT FRAME ►


4HD300-3230

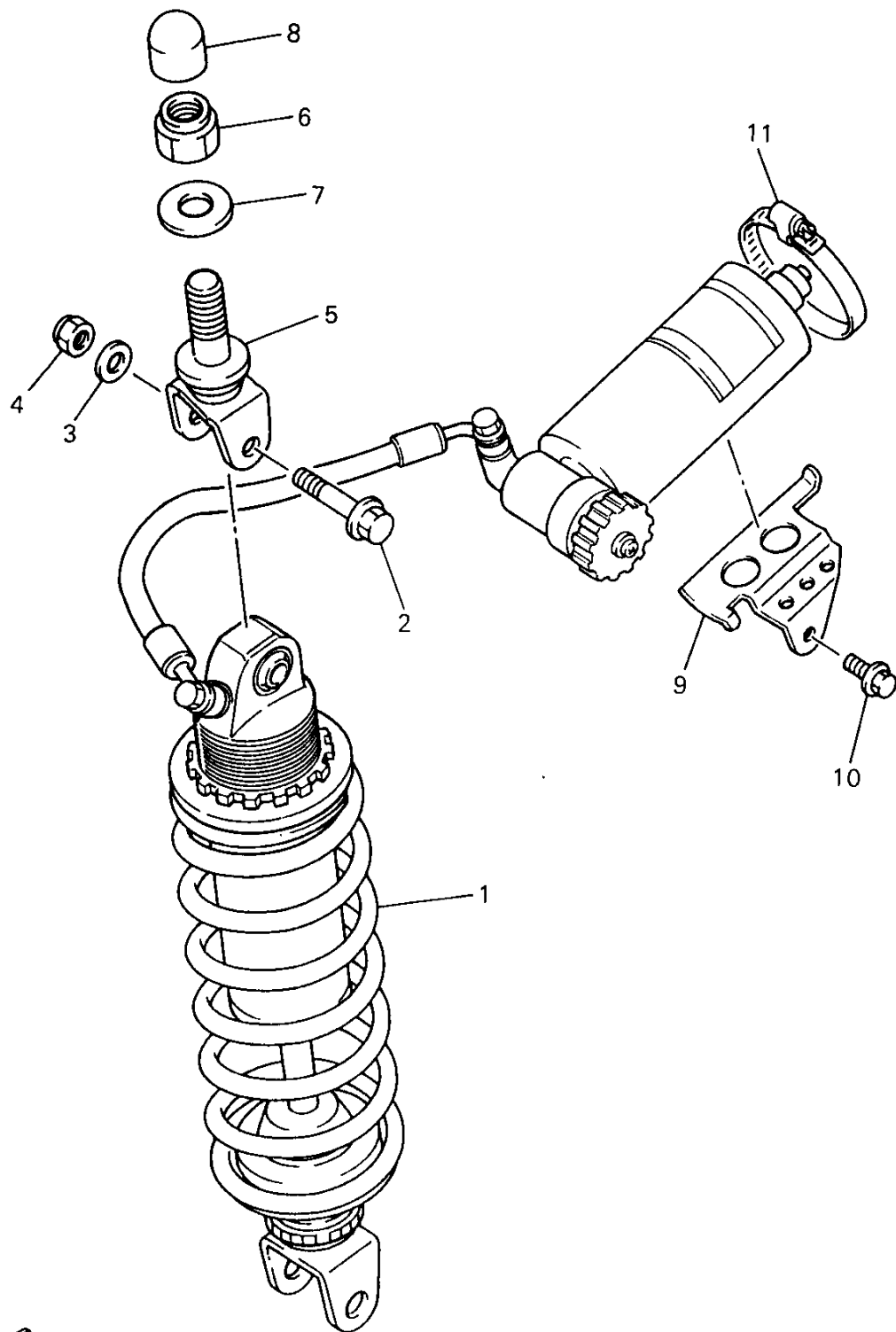
REAR ARM



Ref. No.	Part Number	Description	Qty	Remarks
30	4FM-22151-01-00	SEAL, GUARD	1	
31	90387-06704-00	COLLAR	1	
32	90387-06681-00	COLLAR	1	

 4HD300-3230

REAR SUSPENSION

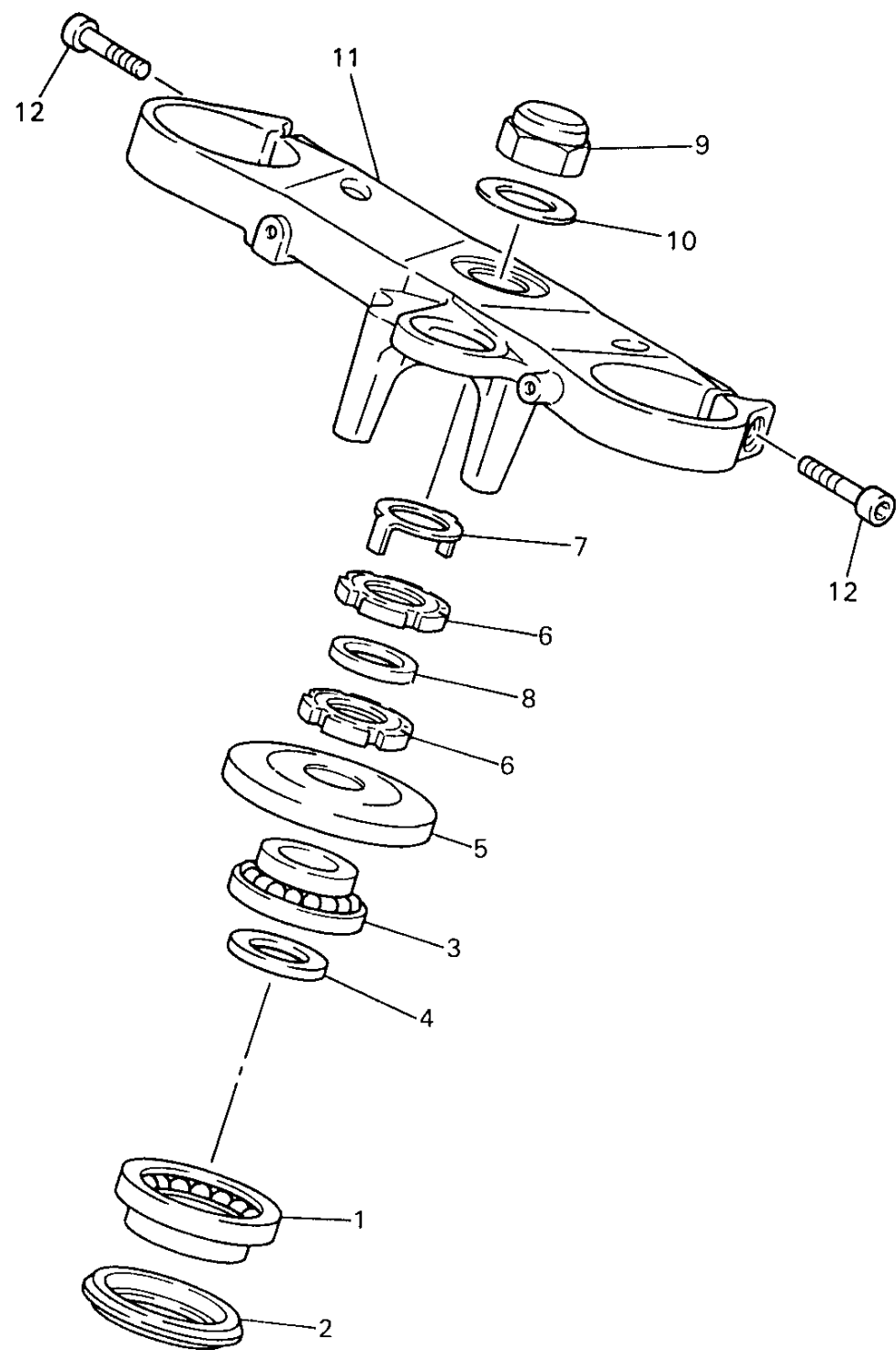


Ref. No.	Part Number	Description	Qty	Remarks
1	4LE-22210-10-00	SHOCK ABSORBER ASSEMBLY, REAR	1	
2	90105-10402-00	BOLT, WASHER BASED	1	
3	90201-101J1-00	WASHER, PLATE	1	
4	95617-10100-00	NUT, U	1	
5	4FM-22219-00-00	BRACKET, UPPER	1	
6	90185-16127-00	NUT, SELF-LOCKING	1	
7	90201-164H4-00	WASHER, PLATE	1	
8	478-25335-00-00	CAP	1	
9	4FM-22262-00-00	HOLDER, SUB TANK	1	
10	95804-06016-00	.BOLT, FLANGE	1	
11	90450-32008-00	.HOSE CLAMP ASSY	1	



4LE110-4240

STEERING

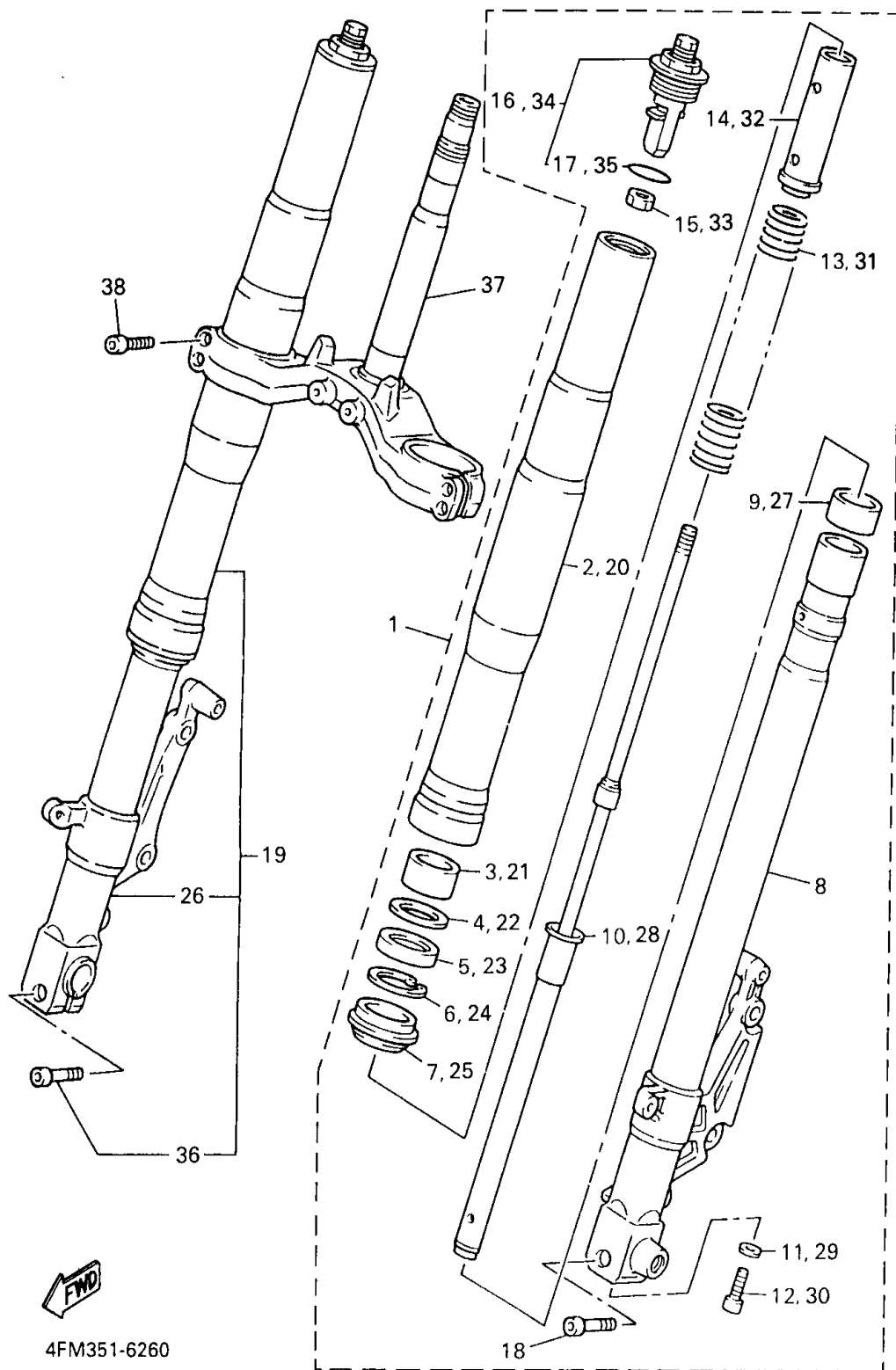


Ref. No.	Part Number	Description	Qty	Remarks
1	93399-99932-00	BEARING, SPECIAL	1	
2	3FV-23462-00-00	SEAL, STEERING	1	
3	93399-99931-00	BEARING, SPECIAL	1	
4	90202-24190-00	WASHER, PLATE	1	
5	3GM-23415-00-00	COVER, BALL RACE 1	1	
6	90179-25615-00	NUT	2	
7	3YF-23418-00-00	WASHER, SPECIAL	1	
8	90202-26142-00	WASHER, PLATE	1	
9	90176-22081-00	NUT, CROWN	1	
10	90201-220T0-00	WASHER, PLATE	1	
11	4FM-23435-20-00	CROWN, HANDLE	1	
12	91314-08030-00	BOLT	2	



4FM351-6250

FRONT FORK

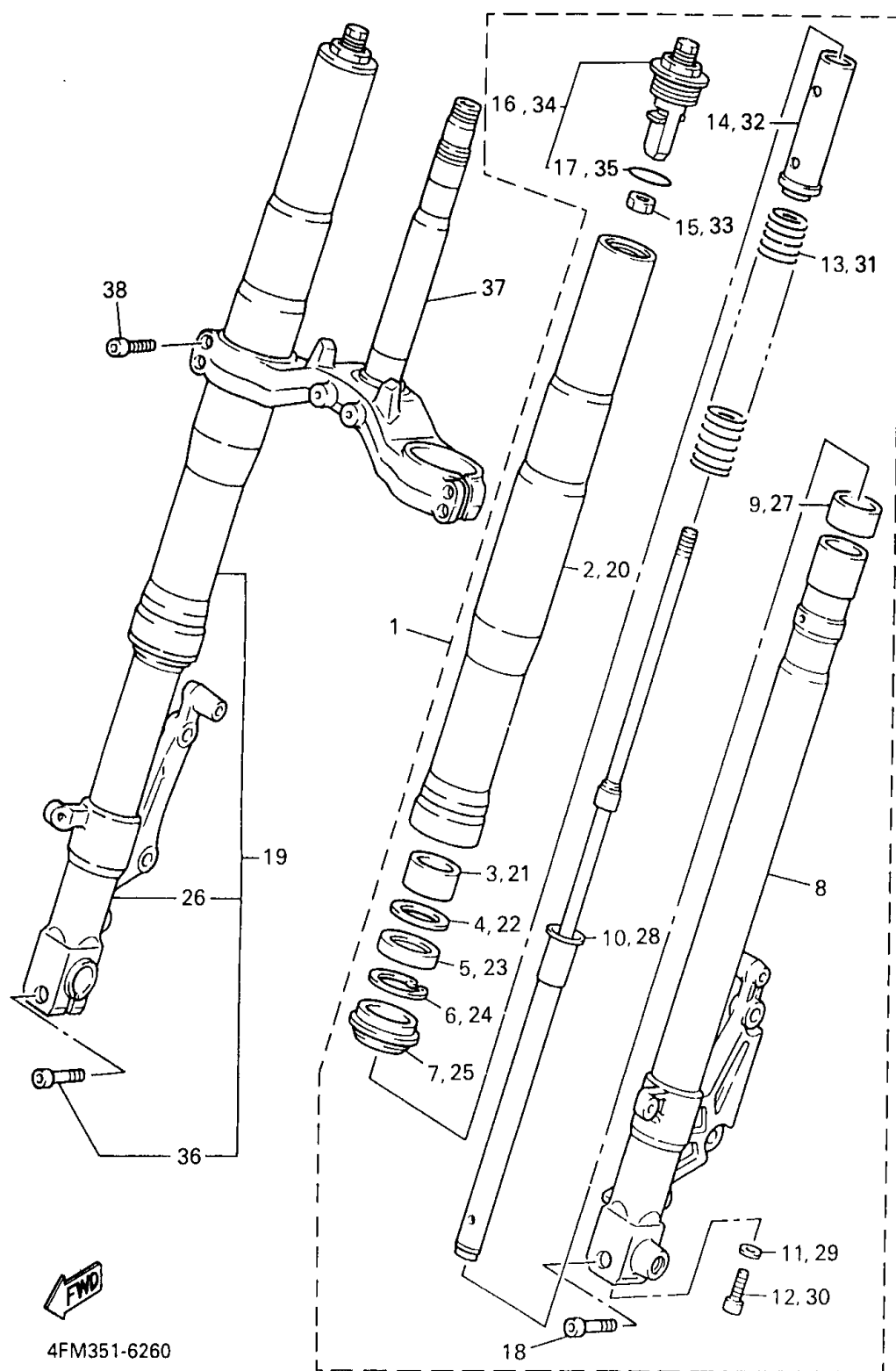


4FM351-6260

Ref. No.	Part Number	Description	Qty	Remarks
1	4FM-23102-60-00	FRONT FORK ASSEMBLY (L.H)	1	
2	4FM-23136-40-00	. TUBE, OUTER (RIGHT)	1	
3	4FM-23125-40-00	. METAL, SLIDE 1	1	
4	36Y-23146-10-00	..WASHER, OIL SEAL	1	
5	4FM-23145-40-00	. OIL SEAL	1	
6	26H-23156-00-00	..CLIP, OIL SEAL	1	
7	3XV-23144-50-00	. SEAL, DUST	1	
8	4FM-23110-20-00	. INNER TUBE COMP 1	1	
9	4FM-23171-40-00	. METAL, SLIDE	1	
10	4FM-23170-40-00	. CYLINDER COMP., FRONT FORK	1	
11	2K8-23158-L0-00	..GASKET	1	
12	3LC-23181-00-00	. .BOLT, HEXAGON SOCKET HEAD	1	
13	4FM-23141-00-00	. SPRING, FRONT FORK	1	
14	4FM-23118-40-00	. SPACER	1	
15	3XJ-23357-L0-00	. NUT	1	
16	4FM-23111-60-00	. BOLT, CAP	1	
17	3SP-23147-M0-00	.. O-RING	1	
18	91317-08040-00	. BOLT	1	
19	4FM-23103-60-00	FRONT FORK ASSEMBLY (R.H)	1	
20	4FM-23136-40-00	. TUBE, OUTER (RIGHT)	1	
21	4FM-23125-40-00	. METAL, SLIDE 1	1	
22	36Y-23146-10-00	..WASHER, OIL SEAL	1	
23	4FM-23145-40-00	. OIL SEAL	1	
24	26H-23156-00-00	..CLIP, OIL SEAL	1	
25	3XV-23144-50-00	. SEAL, DUST	1	
26	4FM-23120-20-00	. INNER TUBE COMP. 2	1	
27	4FM-23171-40-00	. METAL, SLIDE	1	

CONTINUED ON NEXT FRAME ►

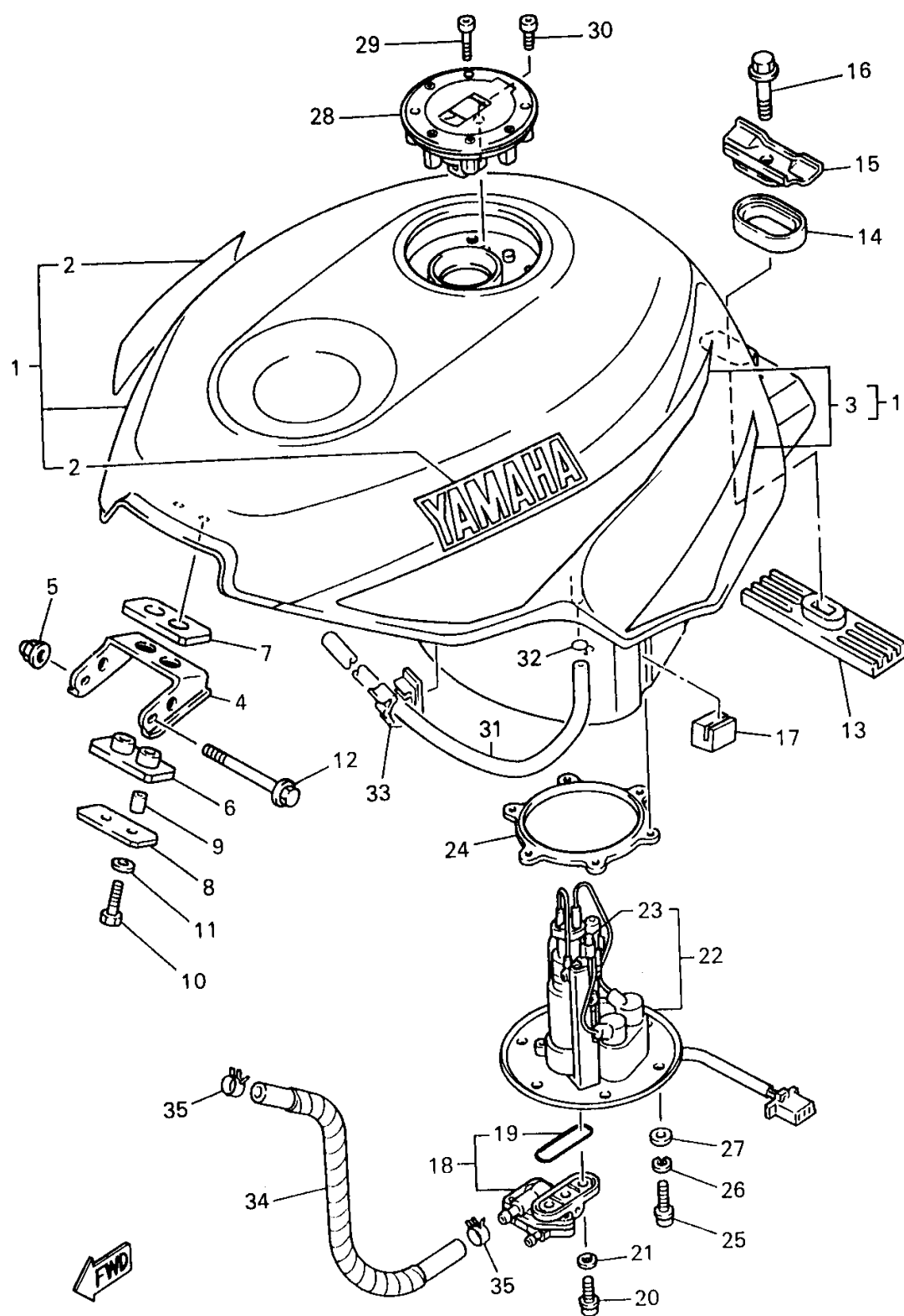
FRONT FORK



4FM351-6260

Ref. No.	Part Number	Description	Qty	Remarks
28	4FM-23170-40-00	. CYLINDER COMP., FRONT FORK	1	
29	2K8-23158-L0-00	..GASKET	1	
30	3LC-23181-00-00	..BOLT, HEXAGON SOCKET HEAD	1	
31	4FM-23141-00-00	. SPRING, FRONT FORK	1	
32	4FM-23118-40-00	. SPACER	1	
33	3XJ-23357-L0-00	. NUT	1	
34	4FM-23111-60-00	. BOLT, CAP	1	
35	3SP-23147-M0-00	.. O-RING	1	
36	91317-08040-00	. BOLT	1	
37	4FM-23340-60-00	UNDER BRACKET COMP.	1	
38	91317-08030-00	BOLT, SOCKET	4	

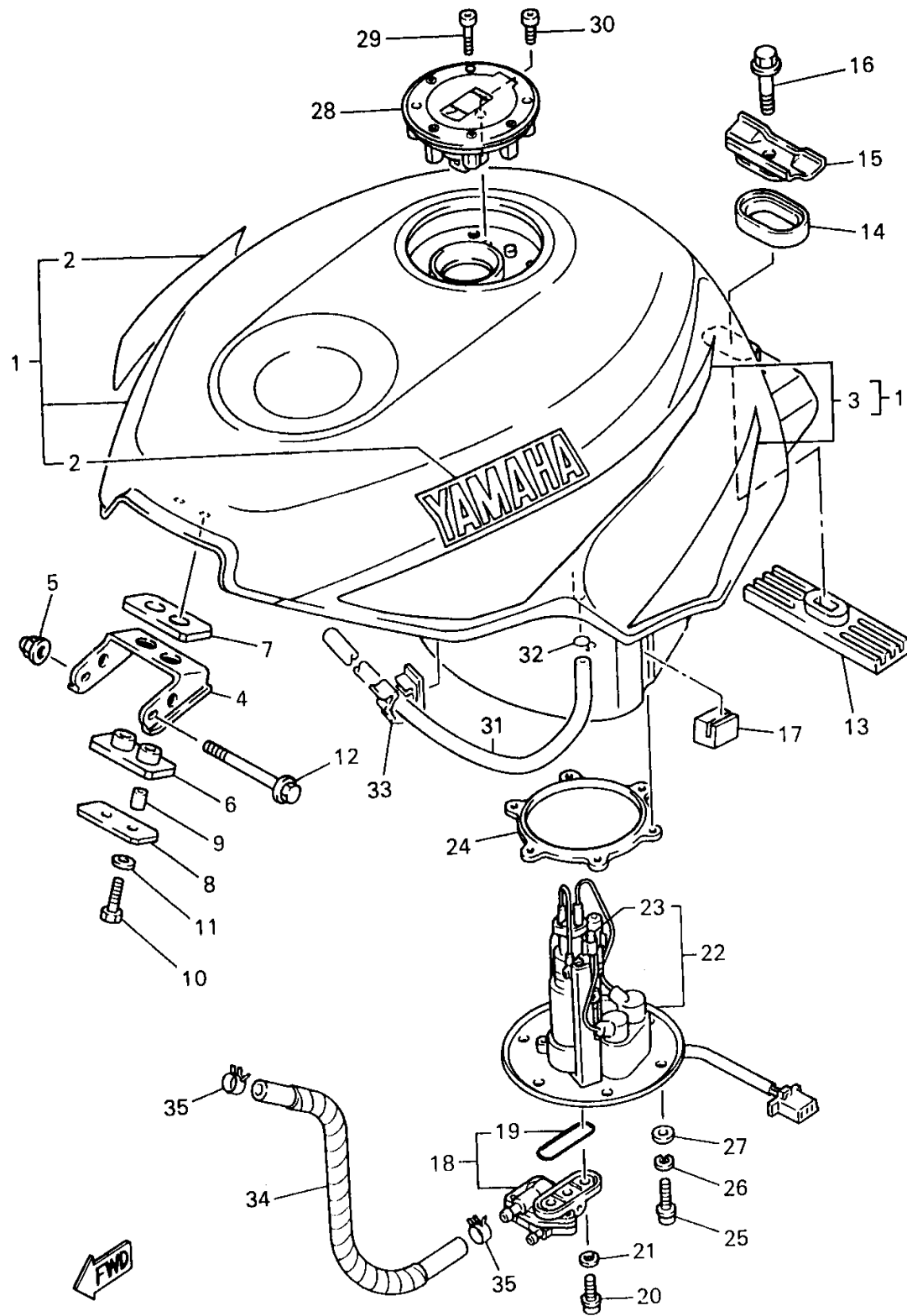
FUEL TANK (NON-CALIFORNIA)



Ref. No.	Part Number	Description	Qty	Remarks
1	4FM-24110-30-X6	FUEL TANK COMP.	1	BLUISH WHITE COCKTAIL 1 (390)
2	99226-00160-00	. EMBLEM, YAMAHA	2	
3	4HD-24240-00-00	. GRAPHIC SET	1	
4	4FM-24191-00-00	BRACKET, FUEL TANK 1	1	
5	90176-06055-00	NUT, CROWN	1	
6	2GH-24181-00-00	DAMPER, LOCATING 1	1	
7	2GH-24183-00-00	DAMPER, LOCATING 3	1	
8	2GH-24186-00-00	WASHER, SPECIAL	1	
9	90387-06553-00	COLLAR	2	
10	97007-06025-00	BOLT	2	
11	92907-06600-00	WASHER, PLATE	2	
12	95817-06075-00	BOLT, FLANGE	1	
13	2GH-24184-00-00	DAMPER, LOCATING 4	1	
14	3Y6-24183-00-00	DAMPER, LOCATING 3	1	
15	4FM-24187-00-00	WASHER, SPECIAL	1	
16	95817-08016-00	BOLT, FLANGE	1	
17	4JH-24183-00-00	DAMPER, LOCATING 3	2	
18	3FV-24500-02-00	FUEL COCK ASSEMBLY 1 ...	1	
19	4X8-24512-00-00	. O-RING	1	
20	90149-06008-00	SCREW	2	
21	90202-05187-00	WASHER, PLATE	2	
22	4FM-13910-00-00	FUEL PUMP ASSEMBLY	1	
23	4FM-85700-00-00	. THERMISTOR ASSEMBLY ...	1	
24	4FM-2414G-00-00	SEAL	1	
25	98507-05016-00	SCREW, PAN HEAD	6	
26	92907-05100-00	WASHER, SPRING	6	
27	92907-05600-00	WASHER, PLATE	6	
28	4FM-24602-00-00	CAP ASSEMBLY	1	

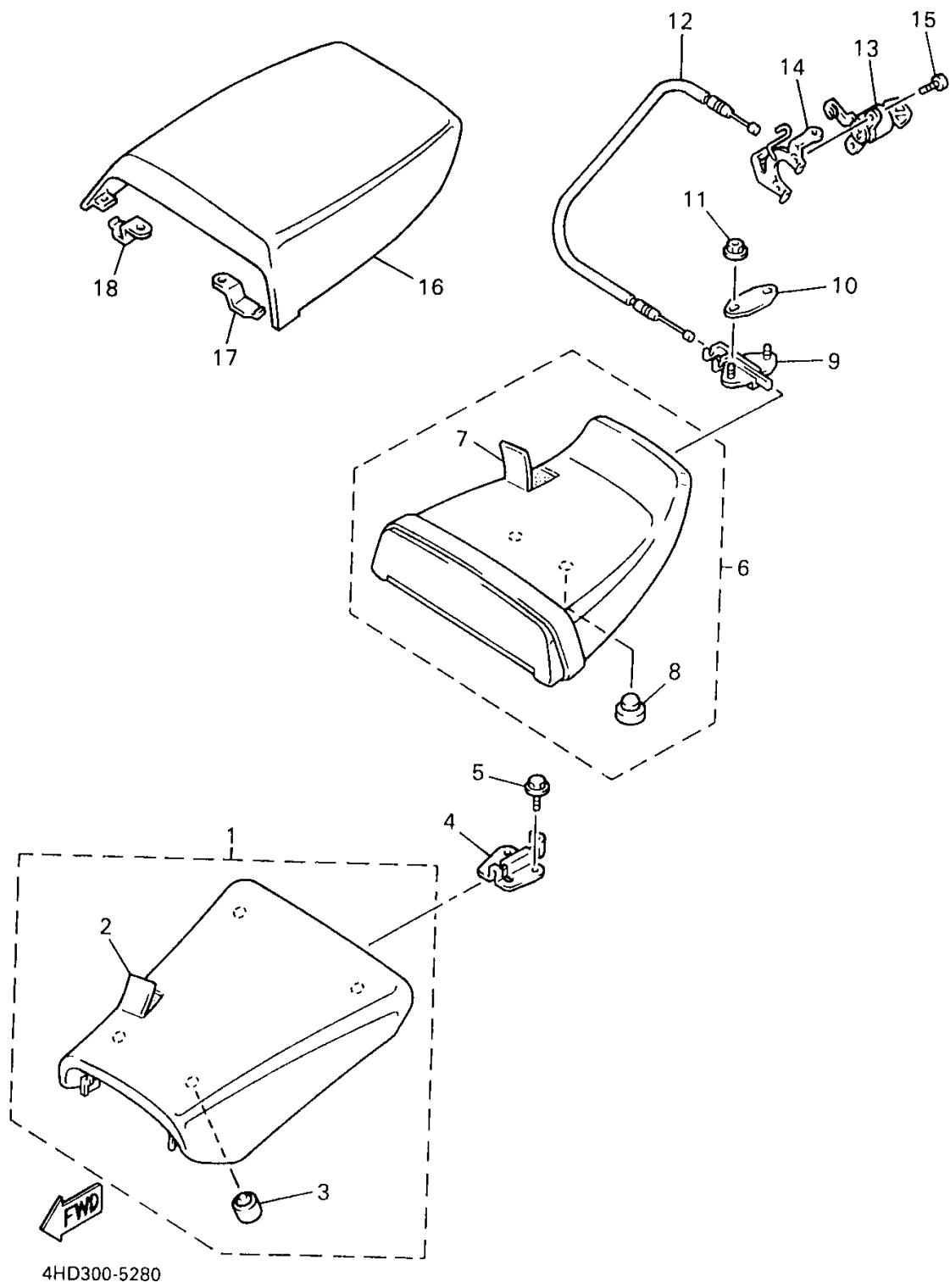
CONTINUED ON NEXT FRAME ►

FUEL TANK (NON-CALIFORNIA)



Ref. No.	Part Number	Description	Qty	Remarks
29	90110-05112-00	BOLT, HEXAGON SOCKET HEAD	3	
30	91317-05010-00	BOLT	1	
31	90445-102G7-00	HOSE	1	
32	90467-09006-00	CLIP	1	
33	90464-25160-00	CLAMP	1	
34	3FV-14294-02-00	HOSE	1	
35	90467-13123-00	CLIP	2	

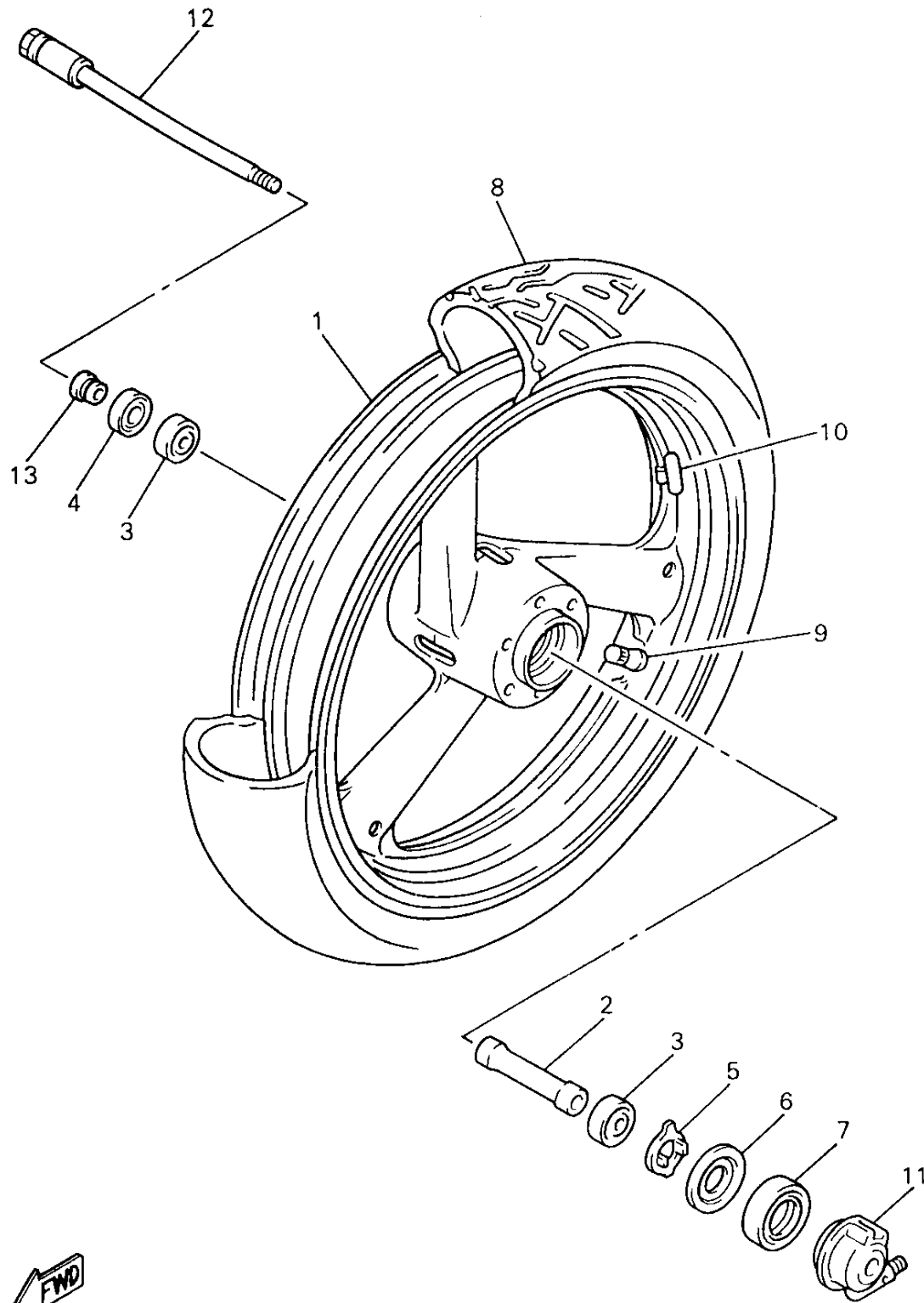
4FM351-6270



SEAT

Ref. No.	Part Number	Description	Qty	Remarks
1	4FM-24710-01-00	SINGLE SEAT ASSEMBLY ...	1	
2	4FM-24711-00-00	. COVER, SINGLE SEAT	1	
3	4FM-24724-00-00	. DAMPER, SEAT	4	
4	4FM-24780-00-00	SEAT LOCK ASSEMBLY	1	
5	95807-06016-00	BOLT, FLANGE	2	
6	4FM-24750-00-00	TANDEM SEAT ASSEMBLY ...	1	
7	4FM-24751-00-00	. COVER, TANDEM SEAT	1	
8	509-24724-00-00	. .DAMPER, SEAT	2	
9	4BP-24780-00-00	SEAT LOCK ASSY	1	
10	4BP-24792-00-00	PLATE	1	
11	95707-06500-00	NUT, FLANGE	2	
12	4FM-2478E-01-00	CABLE, SEAT LOCK	1	
13	3CK-W2470-00-00	SEAT LOCK ASSY	1	
14	4FM-2117K-00-00	STAY, LOCK	1	
15	90149-06308-00	SCREW, SPEC'L SHAPE	2	
16	4FM-24791-00-P6	COVER, SEAT	1	VIVID RED COCKTAIL 1 (121)
17	4FM-2475H-01-00	BRACKET, SEAT LEVER 1 ...	1	
18	4FM-2475J-01-00	BRACKET, SEAT LEVER 2 ...	1	

FRONT WHEEL

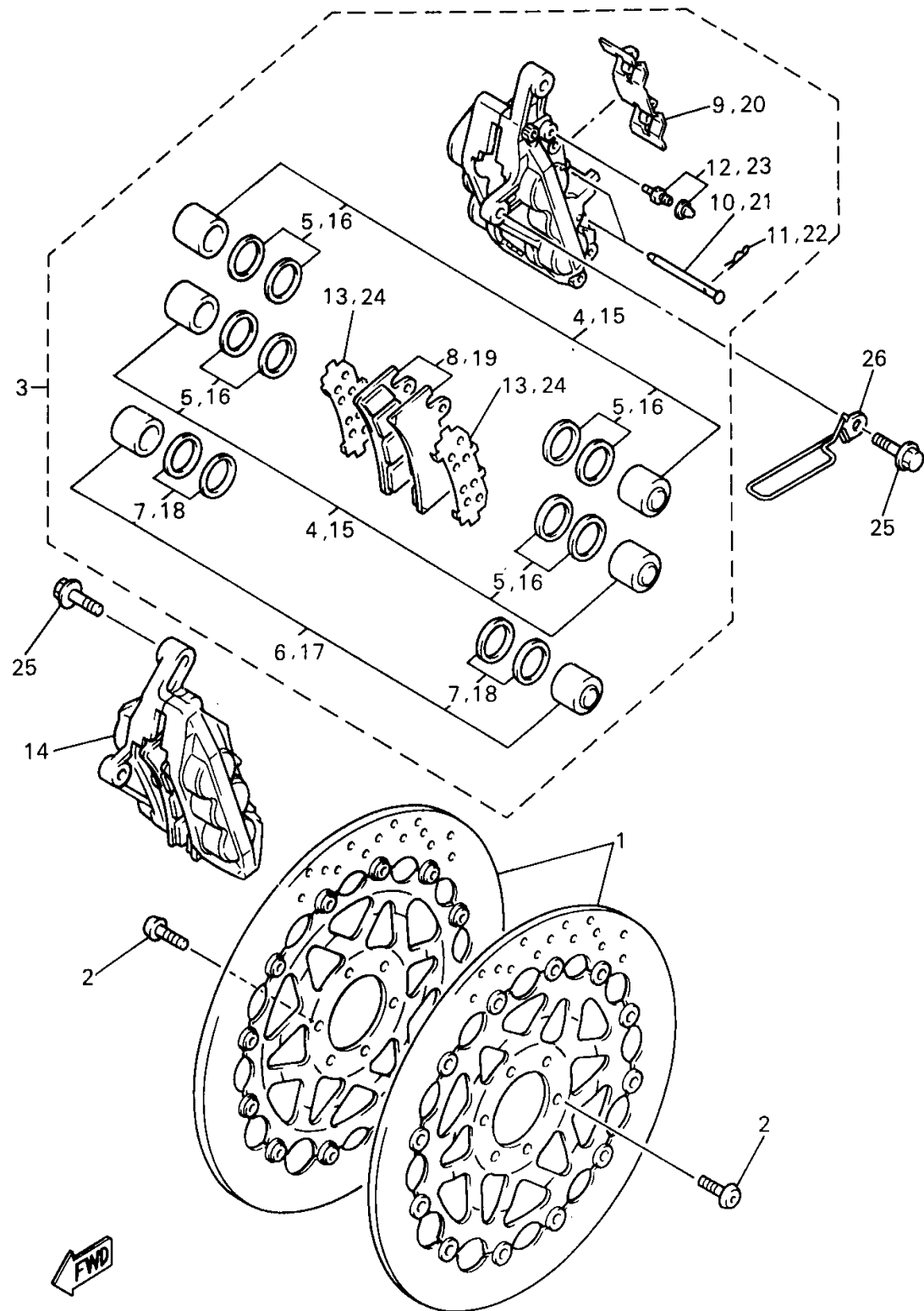


Ref. No.	Part Number	Description	Qty	Remarks
1	4FM-25168-00-7B	CAST WHEEL, FRONT	1	BLUISH BLACK 2 (07B)
2	90387-2200S-00	COLLAR	1	
3	93306-00420-00	BEARING (B6004)	2	
4	93102-28021-00	OIL SEAL	1	
5	4FM-25149-00-00	CLUTCH, METER	1	
6	341-25846-00-00	RETAINER, CLUTCH	1	
7	93105-45017-00	OIL SEAL	1	
8	94112-1700M-00	TIRE (120/70 ZR17 BT50F)	1	BRIDGESTONE
9	93900-00030-00	VALVE, RIM	1	
10	29L-25398-00-00	BALANCER, WHEEL (10G)	1	UN
	29L-25398-10-00	BALANCER, WHEEL (20G)	1	UN
	29L-25398-20-00	BALANCER, WHEEL (30G)	1	UN
11	4FM-25190-00-00	GEAR UNIT ASSEMBLY	1	
12	4FM-25181-01-00	AXLE, WHEEL	1	
13	90387-2200T-00	COLLAR	1	



4LE110-4290

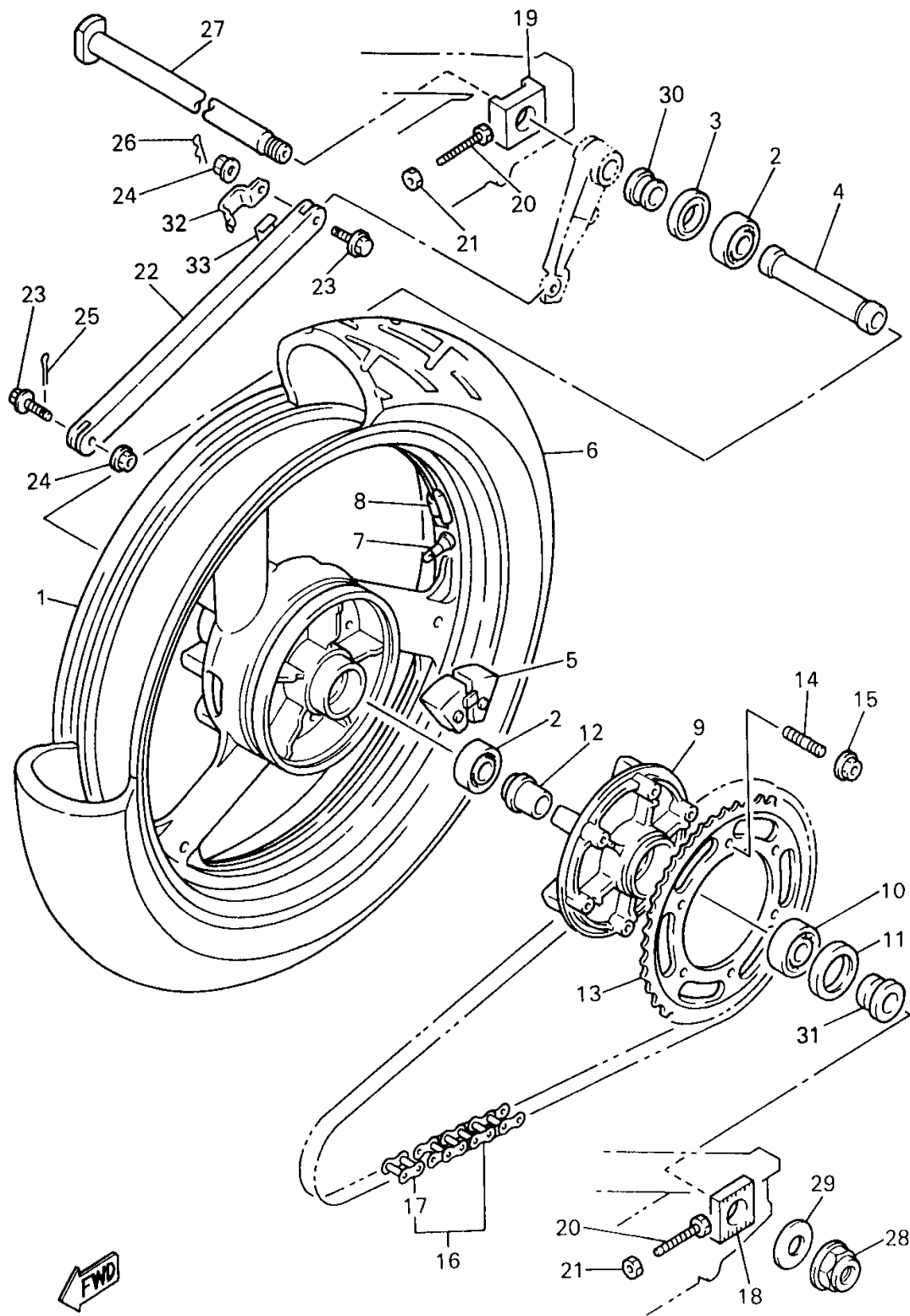
FRONT BRAKE CALIPER



Ref. No.	Part Number	Description	Qty	Remarks
1	4FM-2581T-02-00	DISC BRAKE ASSEMBLY	2	
2	90109-083G4-00	BOLT	12	
3	4FM-2580T-30-00	CALIPER ASSEMBLY (LEFT)	1	
4	4FM-W0057-10-00	. PISTON ASSEMBLY, CALIPER	2	
5	3MA-W0047-10-00	...CALIPER SEAL KIT	1	
6	4FM-W0057-00-00	. PISTON ASSEMBLY, CALIPER	1	
7	4FM-W0047-00-00	.. CALIPER SEAL KIT	1	
8	4FM-W0045-30-00	. BRAKE PAD KIT	1	
9	4FM-25919-00-00	. SUPPORT, PAD	1	
10	4FM-25924-00-00	. PIN, PAD	2	
11	4FM-25925-00-00	. CLIP	2	
12	1J3-W0048-00-00	. BLEED SCREW KIT	1	
13	4FM-25827-00-00	. SHIM, CALIPER	2	
14	4FM-2580U-30-00	CALIPER ASSEMBLY (RIGHT)	1	
15	4FM-W0057-10-00	. PISTON ASSEMBLY, CALIPER	2	
16	3MA-W0047-10-00	...CALIPER SEAL KIT	1	
17	4FM-W0057-00-00	. PISTON ASSEMBLY, CALIPER	1	
18	4FM-W0047-00-00	.. CALIPER SEAL KIT	1	
19	4FM-W0045-30-00	. BRAKE PAD KIT	1	
20	4FM-25919-00-00	. SUPPORT, PAD	1	
21	4FM-25924-00-00	. PIN, PAD	2	
22	4FM-25925-00-00	. CLIP	2	
23	1J3-W0048-00-00	. BLEED SCREW KIT	1	
24	4FM-25827-00-00	. SHIM, CALIPER	2	
25	90105-10725-00	BOLT, WASHER BASED	4	
26	4FM-21596-00-00	HOLDER	1	

4HD300-3300

REAR WHEEL



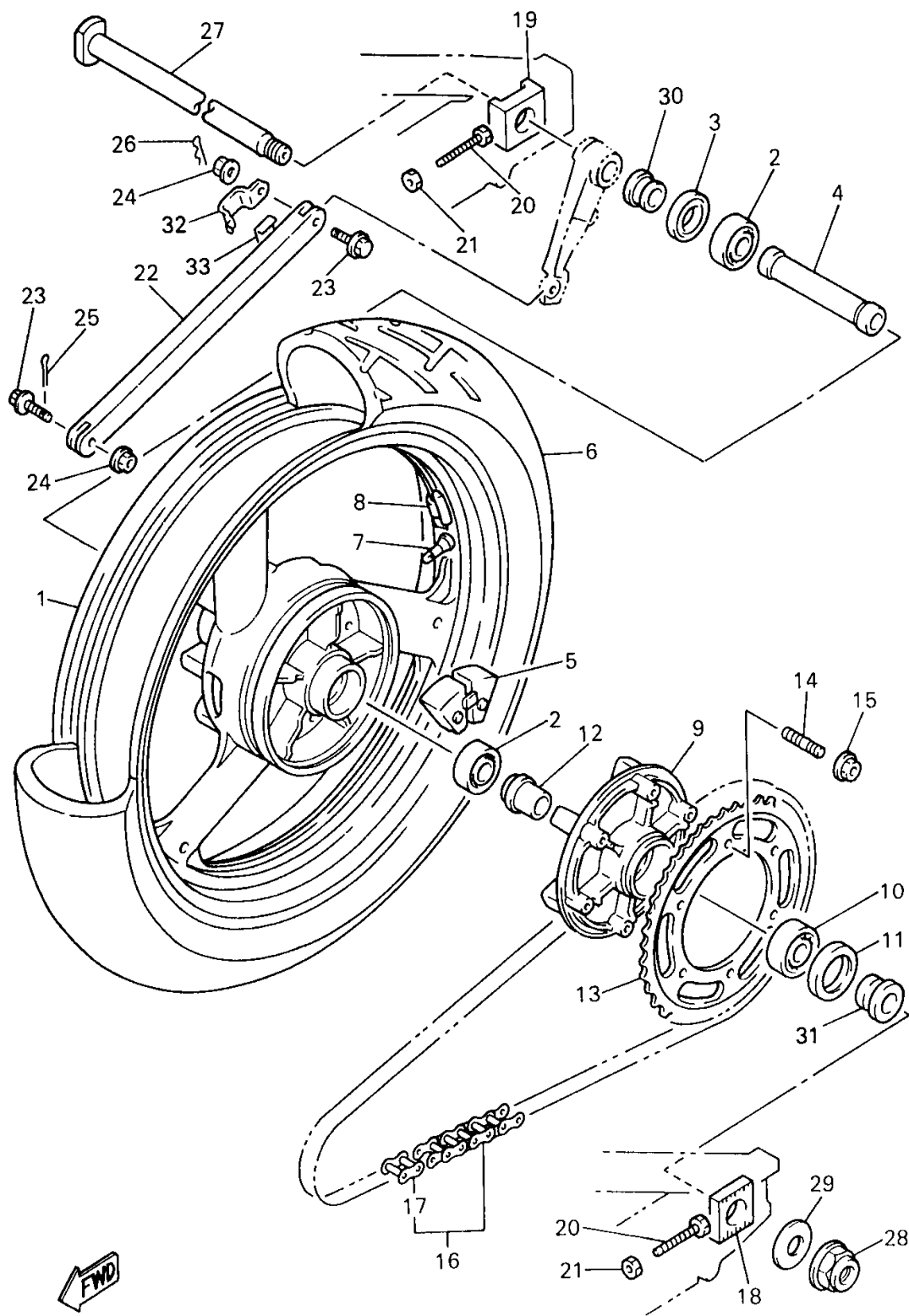
Ref. No.	Part Number	Description	Qty	Remarks
1	4FM-25338-01-7B	CAST WHEEL, REAR	1	BLUISH BLACK 2 (07B)
2	93306-20567-00	BEARING	2	
3	93102-35412-00	OIL SEAL	1	
4	90560-28389-00	SPACER	1	
5	4FM-25364-00-00	DAMPER	6	
6	94118-1700R-00	TIRE (180/55 ZR17 BT50R)	1	BRIDGESTONE
7	93900-00030-00	VALVE, RIM	1	
8	29L-25398-00-00	BALANCER, WHEEL (10G)	1	UN
	29L-25398-20-00	BALANCER, WHEEL (30G)	1	UN
	29L-25398-10-00	BALANCER, WHEEL (20G)	1	UN
9	4FM-25366-00-00	CLUTCH, HUB	1	
10	93306-20644-00	BEARING	1	
11	93102-40211-00	OIL SEAL	1	
12	4FM-25377-00-00	COLLAR, WHEEL	1	
13	3FV-25443-01-00	SPROCKET, DRIVEN (43T)	1	
14	90116-10575-00	BOLT, STUD	6	
15	95617-10200-00	BOLT, STUD	6	
16	94581-55106-00	CHAIN (DID532ZLVKA1-L106)	1	
17	94681-55031-00	JOINT, CHAIN	1	
18	4FM-25388-01-00	PULLER, CHAIN 1	1	
19	4FM-25389-00-00	PULLER, CHAIN 2	1	
20	90101-08766-00	BOLT	2	
21	95337-08600-00	NUT	2	
22	4FM-25371-10-00	BAR, TENSION	1	
23	90105-08321-00	BOLT, FLANGE	2	
24	95707-08500-00	NUT, FLANGE	2	
25	91490-20025-00	PIN, COTTER	1	
26	90468-16099-00	CLIP	1	

CONTINUED ON NEXT FRAME ►



4HD300-5310

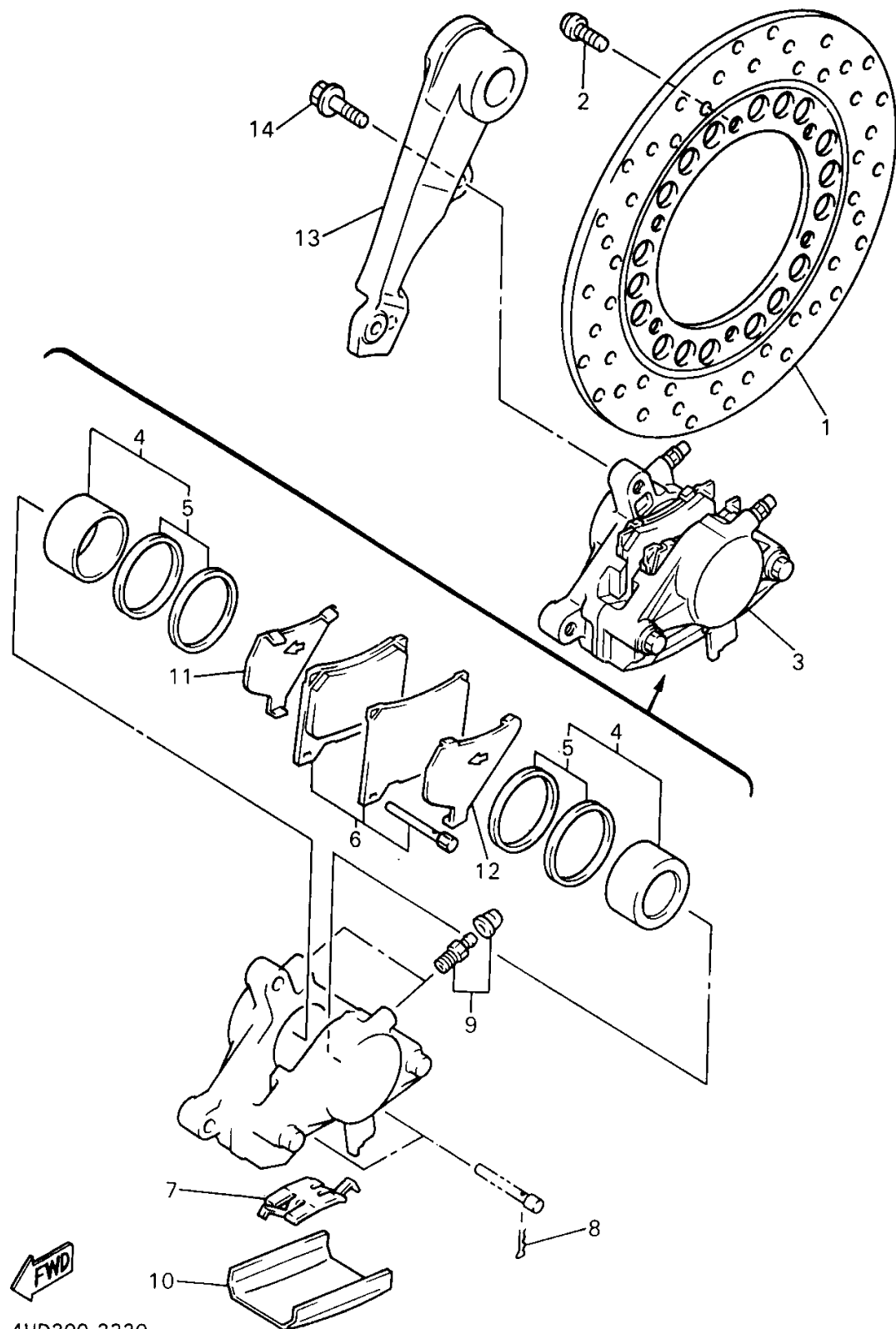
REAR WHEEL



Ref. No.	Part Number	Description	Qty	Remarks
27	4FM-25381-10-00	AXLE, WHEEL	1	
28	90185-24165-00	NUT, SELF-LOCKING	1	
29	90201-257R5-00	WASHER, PLATE	1	
30	90387-2805W-00	COLLAR	1	
31	90387-2805X-00	COLLAR	1	
32	4FM-25887-01-00	HOLDER, BRAKE HOSE	1	
33	2AL-84553-00-00	DAMPER	1	

4HD300-5310

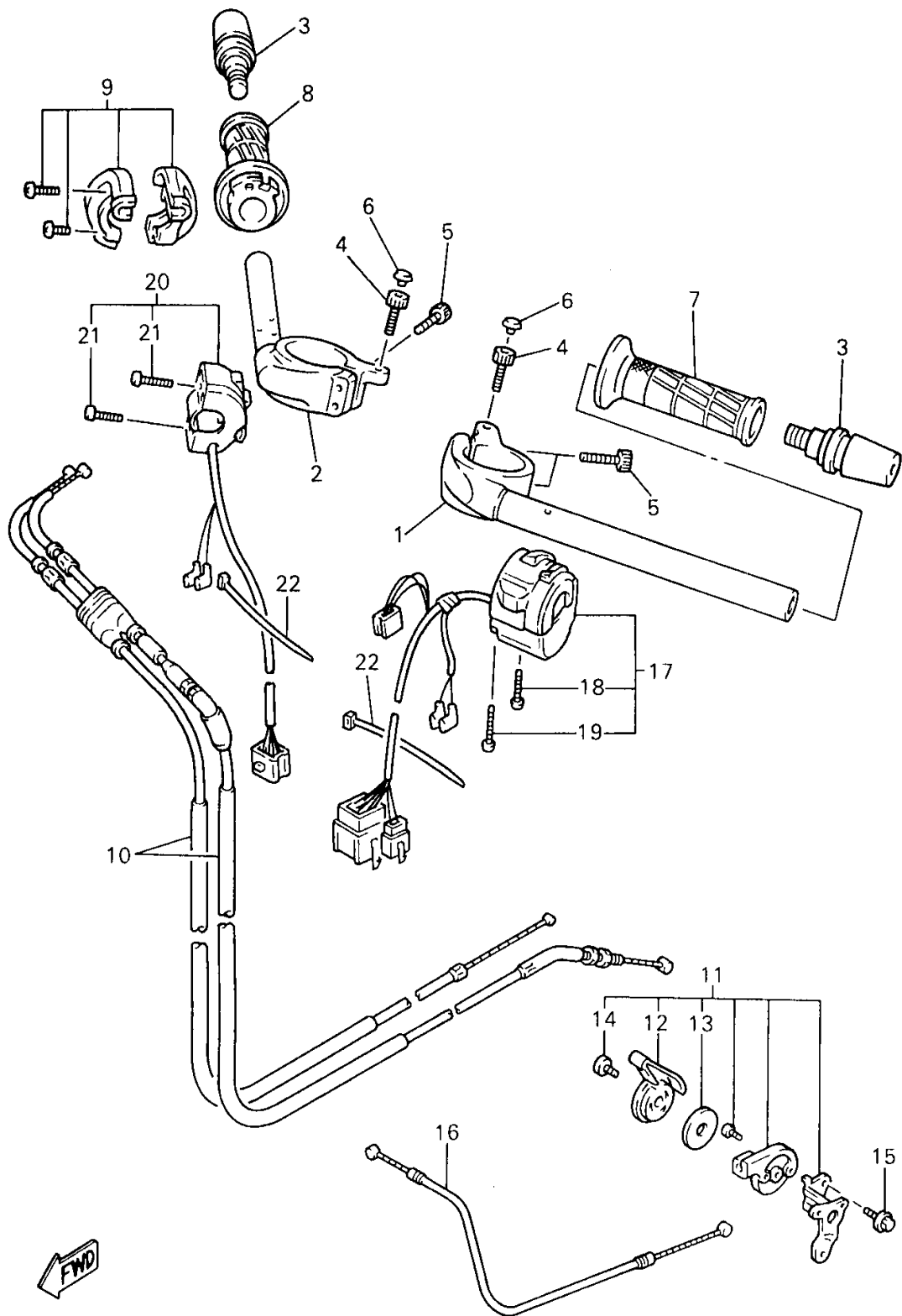
REAR BRAKE CALIPER



Ref. No.	Part Number	Description	Qty	Remarks
1	4FM-2582W-00-00	DISC, REAR BRAKE 2	1	
2	90109-083G4-00	BOLT	6	
3	4FM-2580W-10-00	CALIPER ASSEMBLY, REAR 2	1	
4	31A-W0057-00-00	. PISTON ASSY, CALIPER	1	
5	31A-W0047-00-00	. . CALIPER SEAL KIT	1	
6	4FM-W0046-00-00	. BRAKE PAD KIT 2	1	
7	29L-25919-A0-00	. SUPPORT, PAD	1	
8	3GM-25925-00-00	. .CLIP	2	
9	1J3-W0048-00-00	. BLEED SCREW KIT	2	
10	42H-25836-00-00	. COVER, DUST	1	
11	1FK-25827-00-00	. SHIM, CALIPER	1	
12	1FK-25828-00-00	. SHIM, CALIPER	1	
13	4FM-25819-01-00	BRACKET, CALIPER	1	
14	90105-10725-00	BOLT, WASHER BASED	2	

4HD300-3320

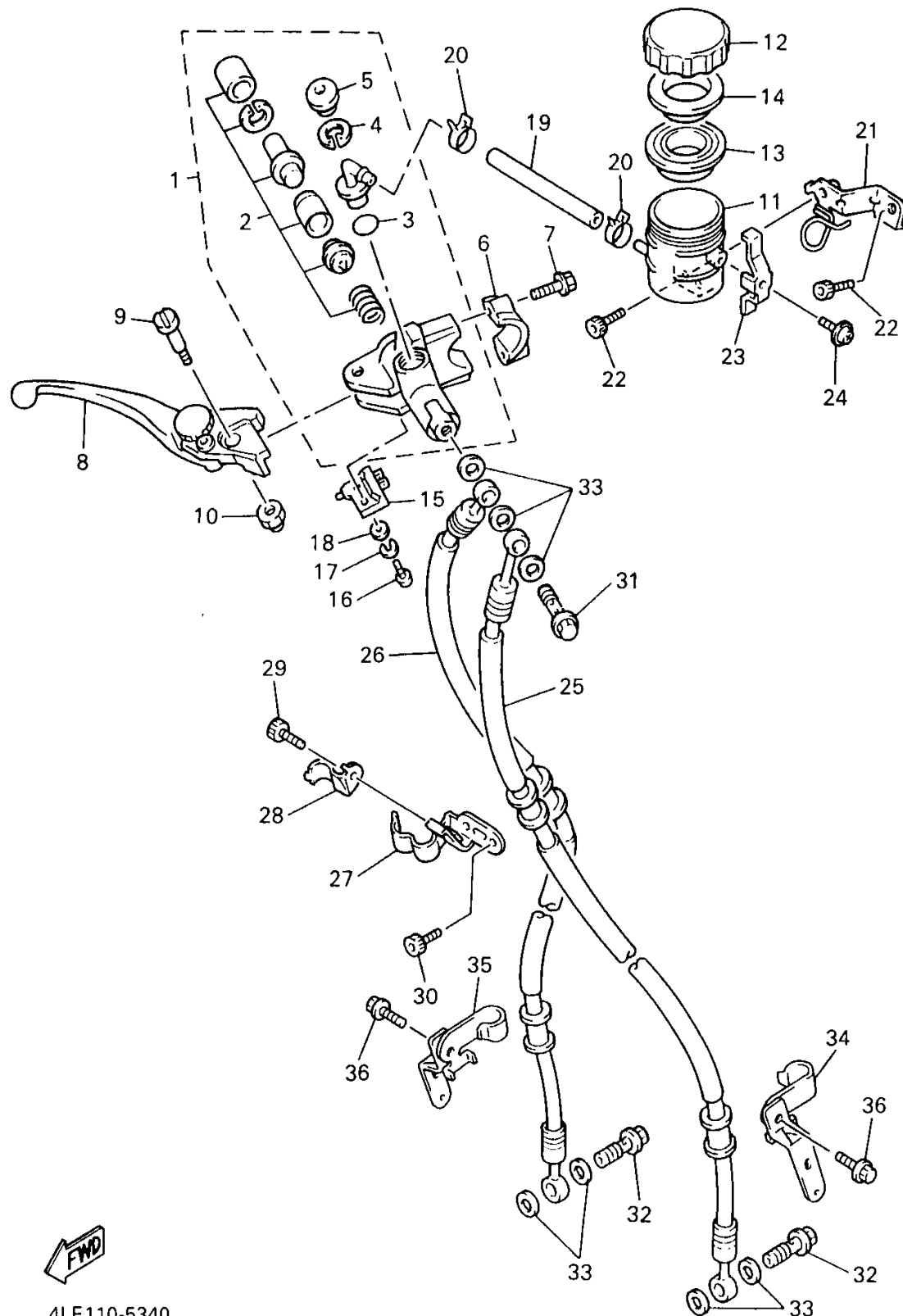
STEERING HANDLE - CABLE



Ref. No.	Part Number	Description	Qty	Remarks
1	4FM-26121-01-00	HANDLEBAR (LEFT)	1	
2	4FM-26122-00-00	HANDLEBAR (RIGHT)	1	
3	36Y-26246-00-00	END, GRIP	2	
4	91317-06020-00	BOLT	2	
5	91314-06025-00	BOLT	4	
6	10L-23469-00-00	CAP, BOLT	2	
7	4FM-26241-00-00	GRIP (LEFT)	1	
8	4FM-26240-00-00	GRIP ASSEMBLY	1	
9	3LN-26270-01-00	CABLE CONNECTOR CAP ASSY	1	
10	4FM-26302-20-00	THROTTLE CABLE ASSEMBLY	1	
11	4FM-83940-00-00	STARTER ASSEMBLY	1	
12	1WG-83941-00-00	. LEVER, STARTER	1	
13	90209-10131-00	. WASHER	1	
14	98907-06008-00	. SCREW, BIND	1	
15	95817-06010-00	BOLT, FLANGE	1	
16	3FV-26331-00-00	CABLE, STARTER 1	1	
17	3LK-83973-10-00	SWITCH, HANDLE 3	1	
18	98507-05030-00	. SCREW, PAN HEAD	1	
19	98507-05040-00	. SCREW, PAN HEAD	1	
20	4FM-83975-00-00	SWITCH, HANDLE 2	1	
21	98507-05018-00	. SCREW, PAN HEAD	2	
22	25G-83936-01-00	CLAMP	2	

4LE110-4330

FRONT MASTER CYLINDER

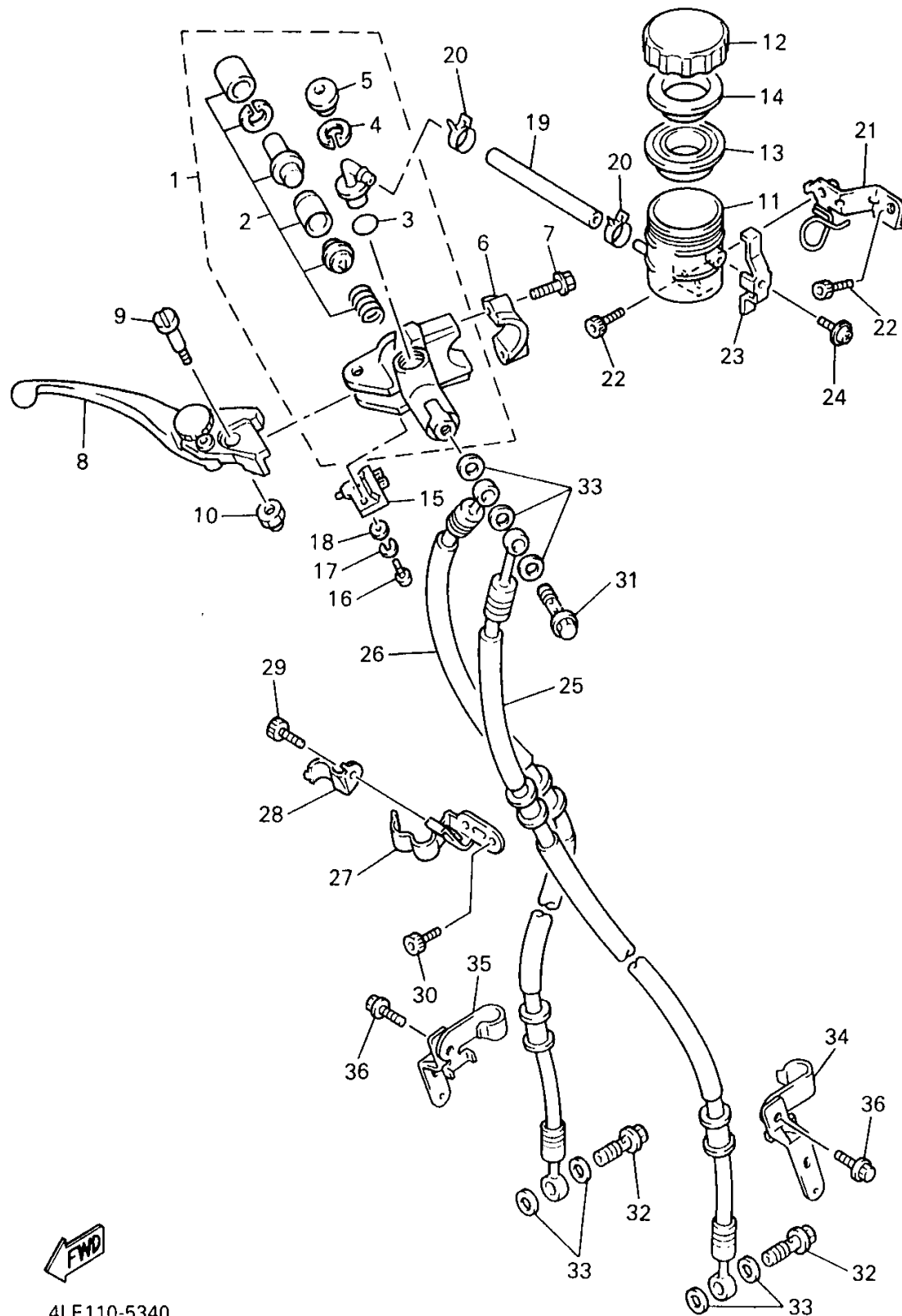


Ref. No.	Part Number	Description	Qty	Remarks
1	3GM-W2587-50-00	MASTER CYLINDER SUB ASSEMBLY	1	
2	3GM-W0041-50-00	. CYLINDER KIT, MASTER	1	
3	93210-15620-00	..O-RING	1	
4	2VN-25866-00-00	..CIRCLIP	1	
5	3FV-2589A-00-00	..COVER, DUST	1	
6	56A-25867-00-00	BRACKET, MASTER CYLINDER	1	
7	95027-06025-00	BOLT, FLANGE	2	
8	3GM-83922-51-00	LEVER 2	1	
9	3FV-2589F-00-00	BOLT, LEVER	1	
10	95617-06100-00	NUT, U	1	
11	3FV-25894-00-00	TANK, RESERVOIR	1	
12	3GM-25852-50-00	CAP, RESERVOIR	1	
13	3FV-25854-00-00	DIAPHRAGM, RESERVOIR	1	
14	2J2-25855-50-00	BUSH, DIAPHRAGM	1	
15	3FV-83980-00-00	STOP SWITCH ASSY	1	
16	98517-04012-00	SCREW, PAN HEAD	1	
17	92990-04100-00	..WASHER, SPRING	1	
18	92990-04600-00	..WASHER, PLATE	1	
19	3GM-2585F-00-00	HOSE	1	
20	3PA-24356-00-00	CLIP, PIPE 1	2	
21	4FM-26292-00-00	STAY	1	
22	91317-06012-00	BOLT	2	
23	3FV-2589G-00-00	HOLDER	1	
24	3GM-2589H-00-00	SCREW, WWASHER	1	
25	4FM-25872-02-00	HOSE, BRAKE 1	1	
26	4FM-25873-02-00	HOSE, BRAKE 2	1	
27	4FM-23377-00-00	BRACKET, HORN	1	
28	4FM-23378-00-00	BRACKET, HORN	1	

CONTINUED ON NEXT FRAME ►

4LE110-5340

FRONT MASTER CYLINDER

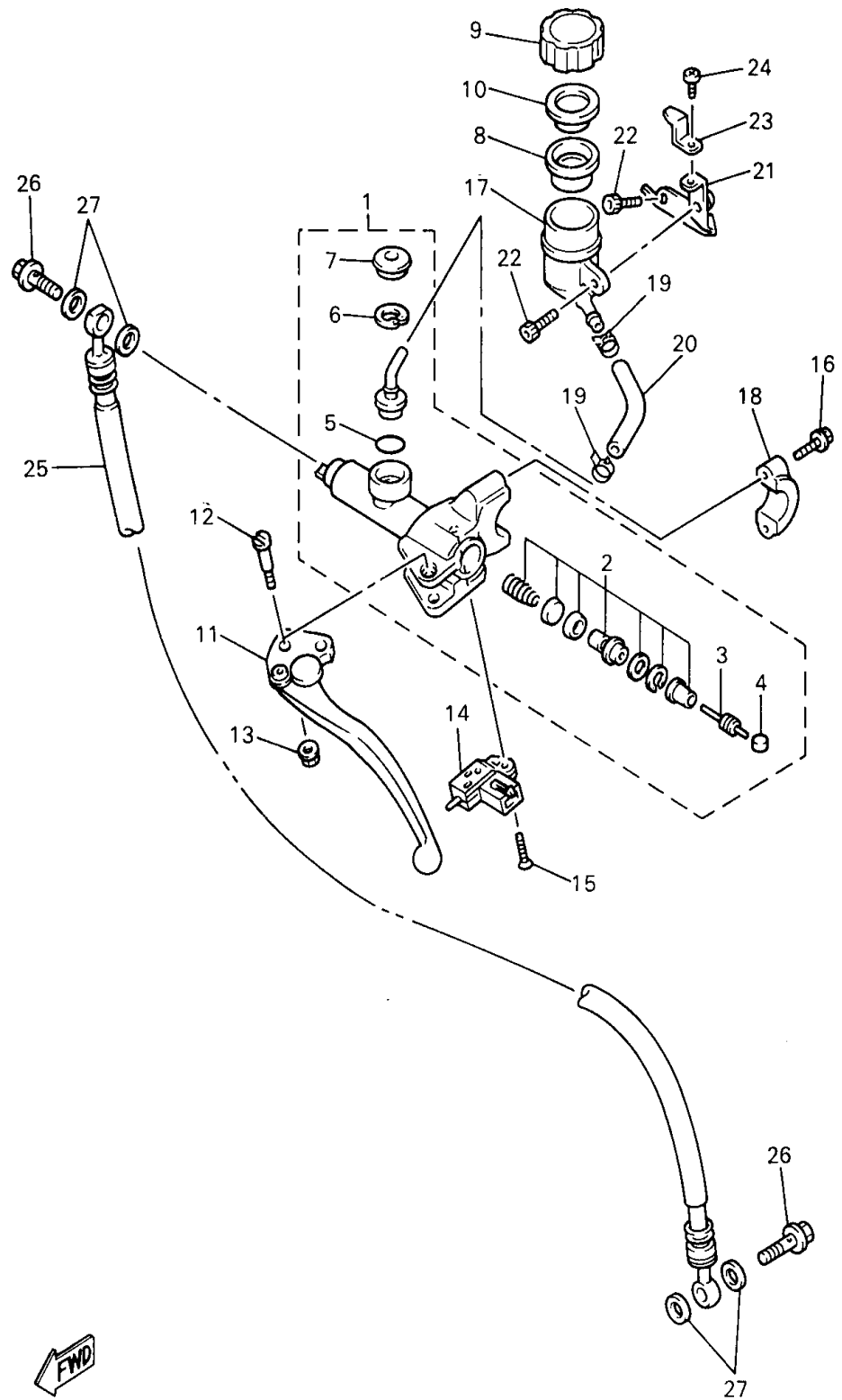


Ref. No.	Part Number	Description	Qty	Remarks
29	91317-06010-00	BOLT	1	
30	91317-06012-00	BOLT	2	
31	90401-10160-00	BOLT, UNION	1	
32	90401-10159-00	BOLT, UNION	2	
33	90201-10118-00	WASHER, PLATE	7	
34	3LK-25875-52-00	HOLDER, BRAKE HOSE 1	1	
35	3LK-25876-52-00	HOLDER, BRAKE HOSE 2	1	
36	95817-06012-00	BOLT, FLANGE	2	



4LE110-5340

FRONT MASTER CYLINDER 2

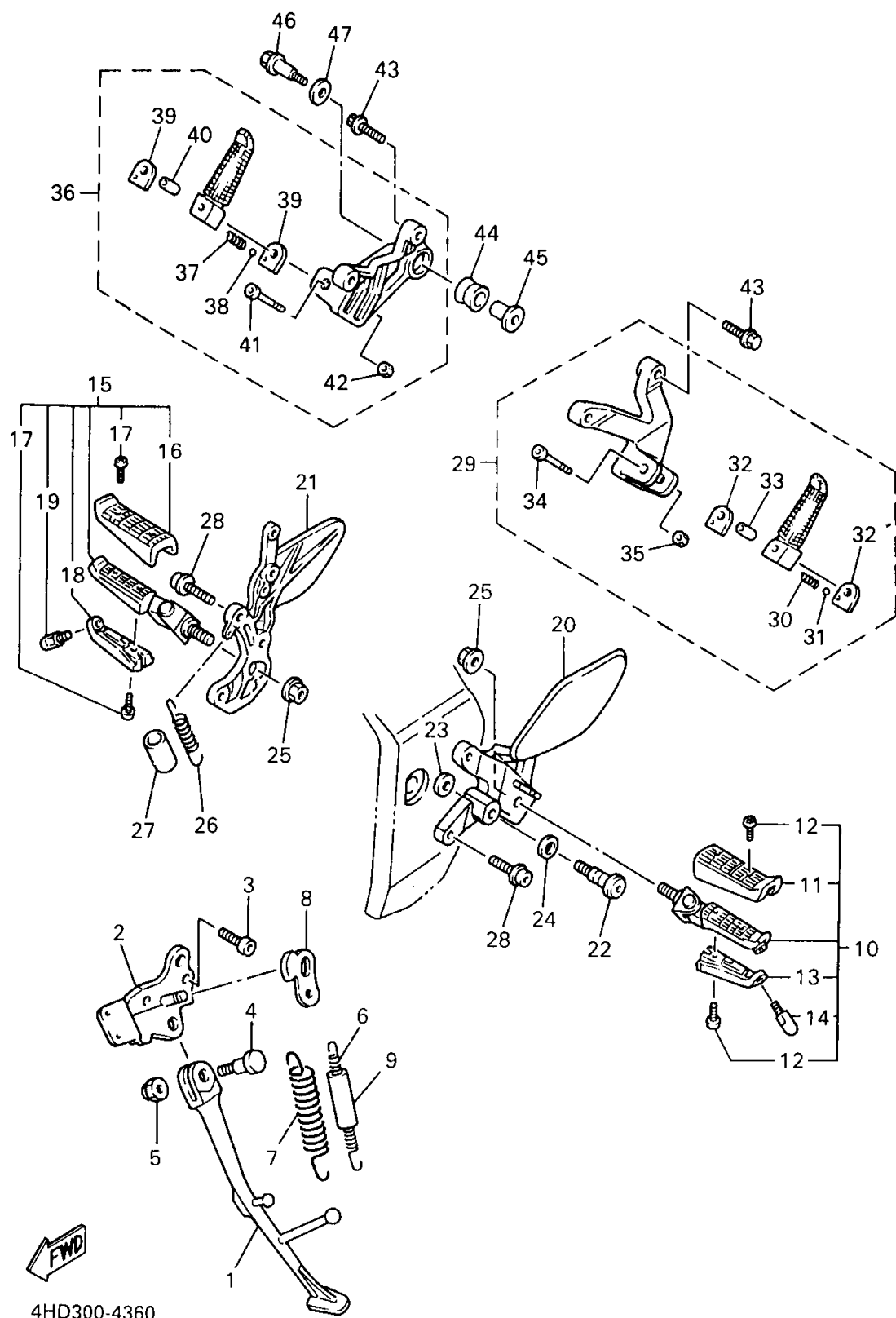


Ref. No.	Part Number	Description	Qty	Remarks
1	4FM-W2645-00-00	MASTER CYLINDER SUB ASSEMBLY	1	
2	3GM-W0099-00-00	. .CYLINDER KIT, MASTER (CLUTCH)	1	
3	3GM-26464-00-00	. .ROD, PUSH	1	
4	3GM-26455-00-00	. .BUSH	1	
5	93210-15620-00	. .O-RING	1	
6	2VN-25866-00-00	. .CIRCLIP	1	
7	3FV-2589A-00-00	. .COVER, DUST	1	
8	3GK-25854-50-00	DIAPHRAGM, RESERVOIR	1	
9	4FM-25852-00-00	CAP, RESERVOIR	1	
10	3GK-25855-50-00	BUSH, DIAPHRAGM	1	
11	4FM-83912-01-00	LEVER 1	1	
12	3FV-2589F-00-00	BOLT, LEVER	1	
13	95707-06500-00	NUT, FLANGE	1	
14	3GM-83980-00-00	FRONT STOP SWITCH ASSY	1	
15	98706-04016-00	SCREW, FLAT HEAD	1	
16	95027-06025-00	BOLT, FLANGE	2	
17	4FM-25894-00-00	TANK, RESERVOIR	1	
18	56A-25867-00-00	BRACKET, MASTER CYLINDER	1	
19	3PA-24356-00-00	CLIP, PIPE 1	2	
20	4FM-2585F-00-00	HOSE	1	
21	4FM-26296-00-00	BRACKET	1	
22	91317-06012-00	BOLT	2	
23	4FM-26475-00-00	HOLDER	1	
24	98507-04008-00	SCREW, PAN HEAD	1	
25	3GM-26470-A0-00	HOSE, CLUTCH	1	
26	90401-10159-00	BOLT, UNION	2	
27	90201-10118-00	WASHER, PLATE	4	



4HD300-3350

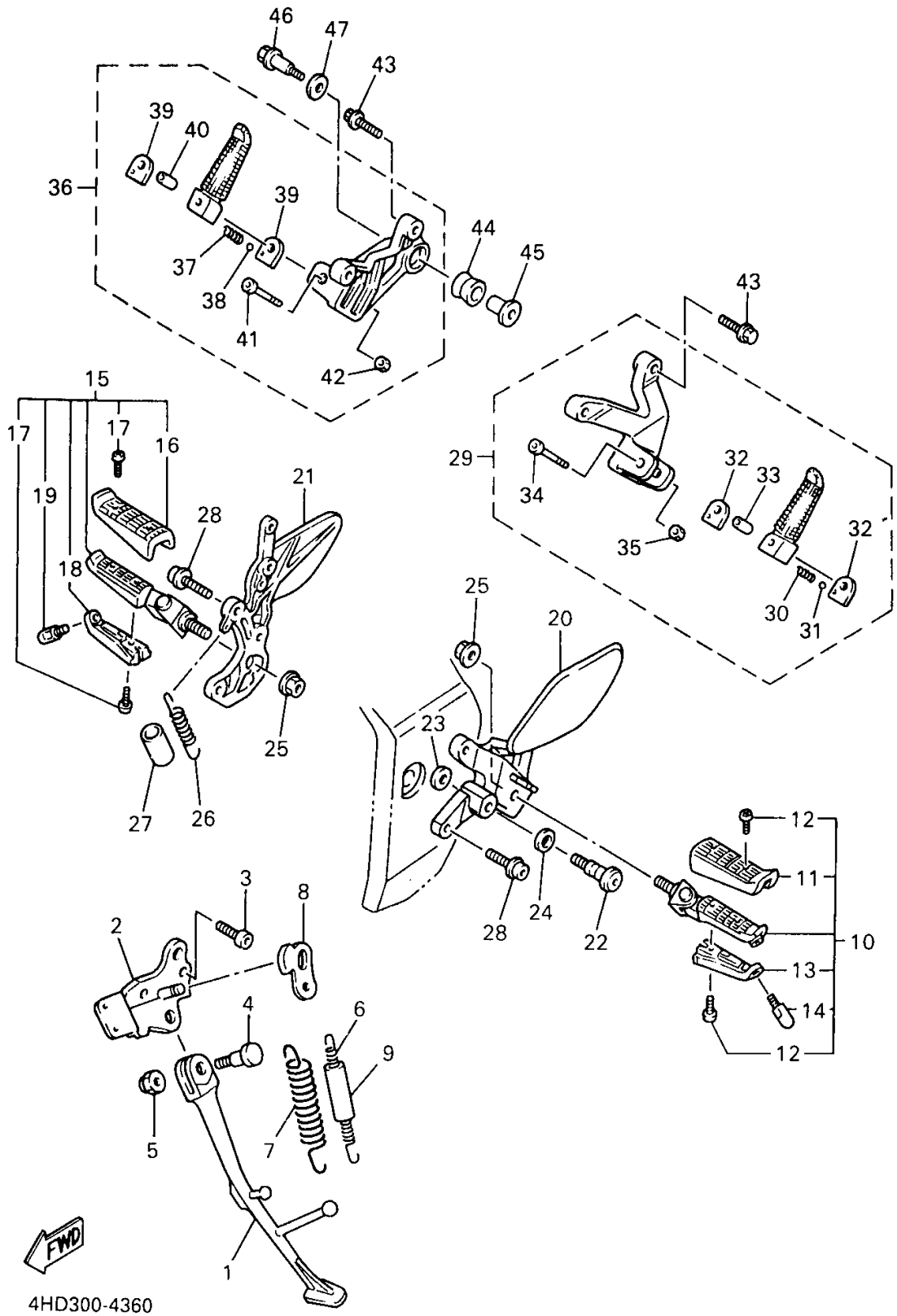
STAND - FOOTREST



Ref. No.	Part Number	Description	Qty	Remarks
1	4FM-27311-00-00	STAND, SIDE	1	
2	4FM-27321-00-00	BRACKET, SIDE STAND	1	
3	90110-08155-00	BOLT, HEXAGON SOCKET HEAD	2	
4	90109-104E6-00	BOLT	1	
5	90185-10037-00	NUT, SELF-LOCKING	1	
6	90506-18224-00	SPRING, TENSION	1	
7	90506-26225-00	SPRING, TENSION	1	
8	4FM-27315-00-00	LINK, SIDE STAND	1	
9	1TX-27351-00-00	GUIDE, SIDE STAND	1	
10	4FM-27410-00-00	FRONT FOOTREST ASSEMBLY (LEFT)	1	
11	2GH-27413-00-00	. COVER, FOOTREST	1	
12	90157-05079-00	. .SCREW, PAN HEAD	3	
13	4FM-27471-00-00	. BAR, FOOTREST 1	1	
14	4FM-27435-00-00	. BOLT	1	
15	4FM-27420-00-00	FRONT FOOTREST ASSEMBLY (RIGHT)	1	
16	2GH-27413-00-00	. COVER, FOOTREST	1	
17	90157-05079-00	. .SCREW, PAN HEAD	3	
18	4FM-27471-00-00	. BAR, FOOTREST 1	1	
19	4FM-27435-00-00	. BOLT	1	
20	4FM-27442-02-00	BRACKET 2	1	
21	4FM-27443-02-00	BRACKET 3	1	
22	4BP-27434-01-00	BOLT	1	
23	90201-08326-00	WASHER, PLATE	1	
24	90201-127J6-00	WASHER, PLATE	1	
25	90179-10658-00	NUT	2	
26	90506-20377-00	SPRING, TENSION	1	
27	90446-17346-00	HOSE	1	

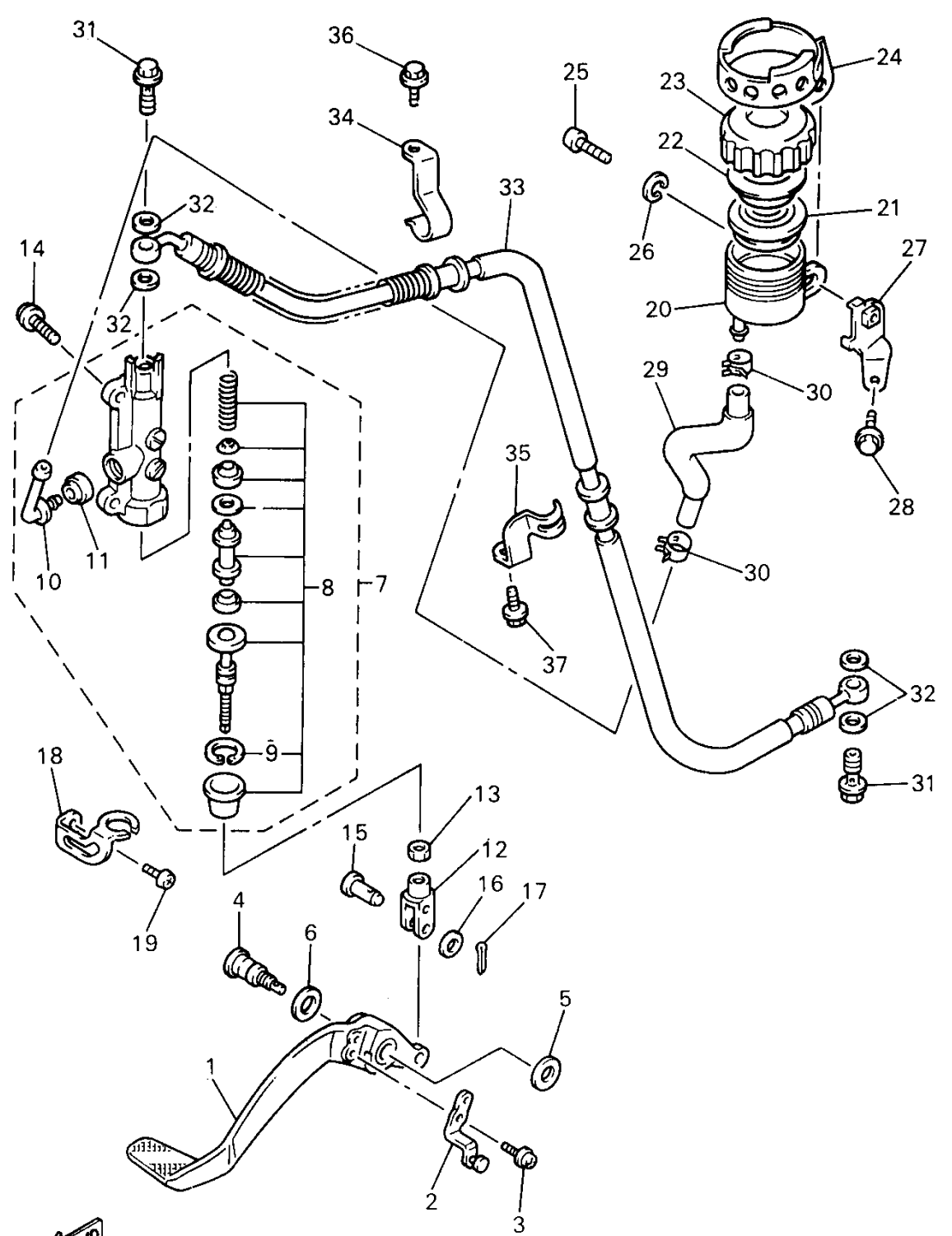
CONTINUED ON NEXT FRAME ►

STAND - FOOTREST



Ref. No.	Part Number	Description	Qty	Remarks
28	90110-08199-00	BOLT, HEXAGON SOCKET HEAD	4	
29	4FM-27430-11-00	REAR FOOTREST ASSEMBLY 1	1	
30	90501-12743-00	..SPRING, COMPRESSION ...	1	
31	93501-04011-00	.. BALL	1	
32	1HX-27437-00-00	..WASHER, SPECIAL	2	
33	90387-064H8-00	..COLLAR	1	
34	91314-06045-00	.. BOLT	1	
35	95604-06200-00	..NUT, U FLANGE	1	
36	4FM-27440-11-00	REAR FOOTREST ASSEMBLY 2	1	
37	90501-12743-00	..SPRING, COMPRESSION ...	1	
38	93501-04011-00	.. BALL	1	
39	1HX-27437-00-00	..WASHER, SPECIAL	2	
40	90387-064H8-00	..COLLAR	1	
41	91314-06045-00	.. BOLT	1	
42	95604-06200-00	..NUT, U FLANGE	1	
43	95814-08030-00	BOLT, FLANGE	2	
44	2H7-27414-00-00	DAMPER, FOOTREST	1	
45	90387-10636-00	COLLAR	1	
46	90105-10778-00	BOLT, FLANGE	1	
47	90201-10669-00	WASHER, PLATE	1	

REAR MASTER CYLINDER

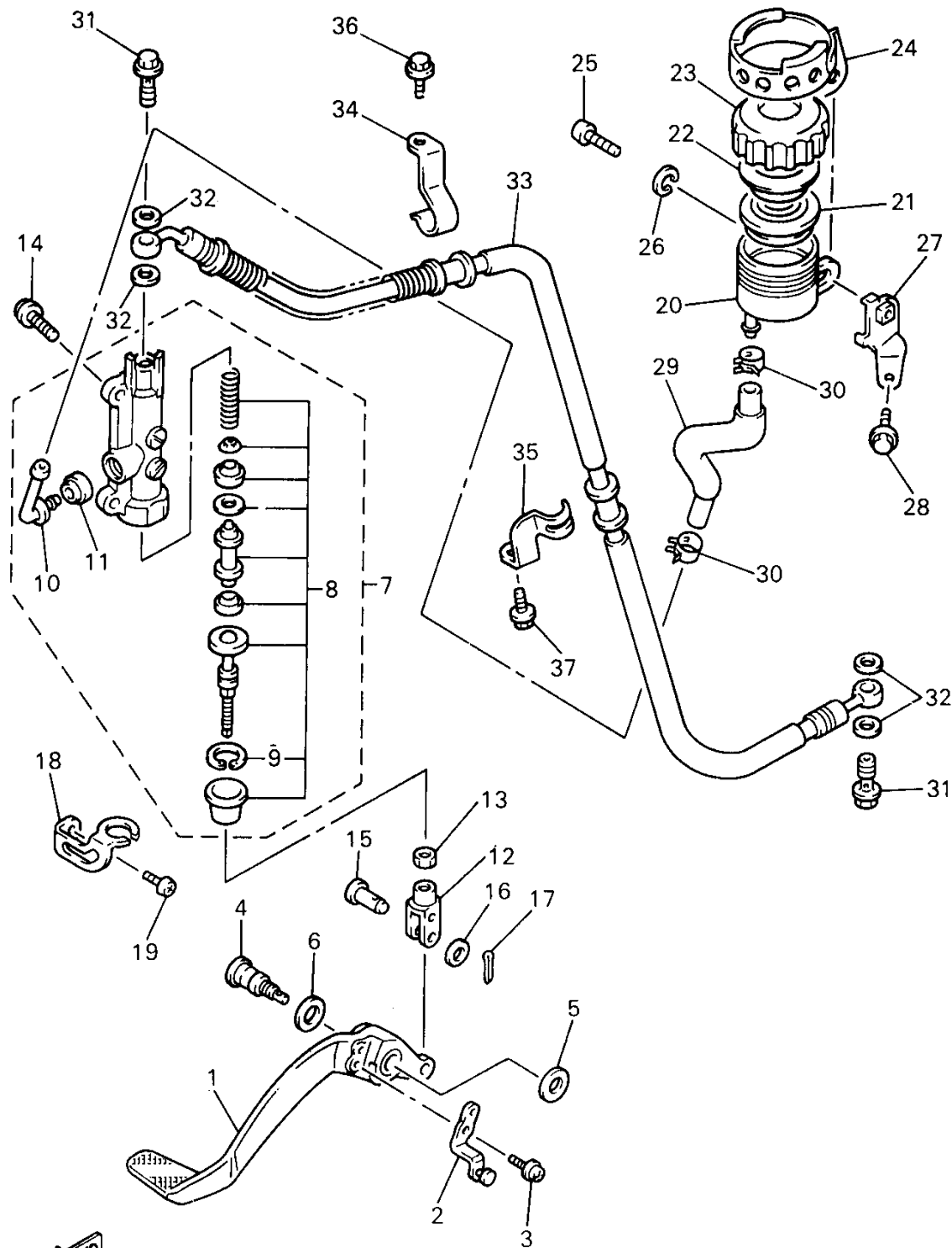


Ref. No.	Part Number	Description	Qty	Remarks
1	4FM-27211-00-00	PEDAL, BRAKE	1	
2	4FM-27254-00-00	HOOK	1	
3	90159-06045-00	SCREW, WITH WASHER	1	
4	4SV-27261-00-00	SHAFT	1	
5	90201-104R2-00	WASHER, PLATE	1	
6	90206-14086-00	WASHER, WAVE	1	
7	4BH-2583V-00-00	RR. MASTER CYLINDER ASSY.	1	
8	4BH-W0042-50-00	. CYLINDER KIT, MASTER	1	
9	3LN-2585G-00-00	. . CIRCLIP, MASTER CYLINDER	1	
10	4BP-2582A-00-00	. CONNECTOR	1	
11	4BP-2585F-00-00	. O-RING	1	
12	4FM-27222-00-00	JOINT	1	
13	95307-08700-00	NUT	1	
14	92014-08020-00	BOLT, BUTTON HEAD	2	
15	90240-08124-00	PIN, CLEVIS	1	
16	90201-08083-00	WASHER, PLATE	1	
17	91490-20025-00	PIN, COTTER	1	
18	4FM-2144G-00-00	STAY, STOP SWITCH	1	
19	98507-06010-00	SCREW, PAN HEAD	1	
20	31A-25894-01-00	TANK, RESERVOIR	1	
21	360-25854-00-00	DIAPHRAGM, RESERVOIR	1	
22	2GU-25855-00-00	BUSH, DIAPHRAGM	1	
23	2KF-25852-50-00	CAP, RESERVOIR	1	
24	3PJ-25888-00-00	COVER, RESERVOIR TANK	1	
25	98517-06020-00	SCREW, PAN HEAD	1	
26	92907-06600-00	WASHER, PLATE	1	
27	4FM-2133G-00-00	BRACKET, RESERVOIR	1	
28	95807-06016-00	BOLT, FLANGE	1	

CONTINUED ON NEXT FRAME ►

FWD
4HD300-3370

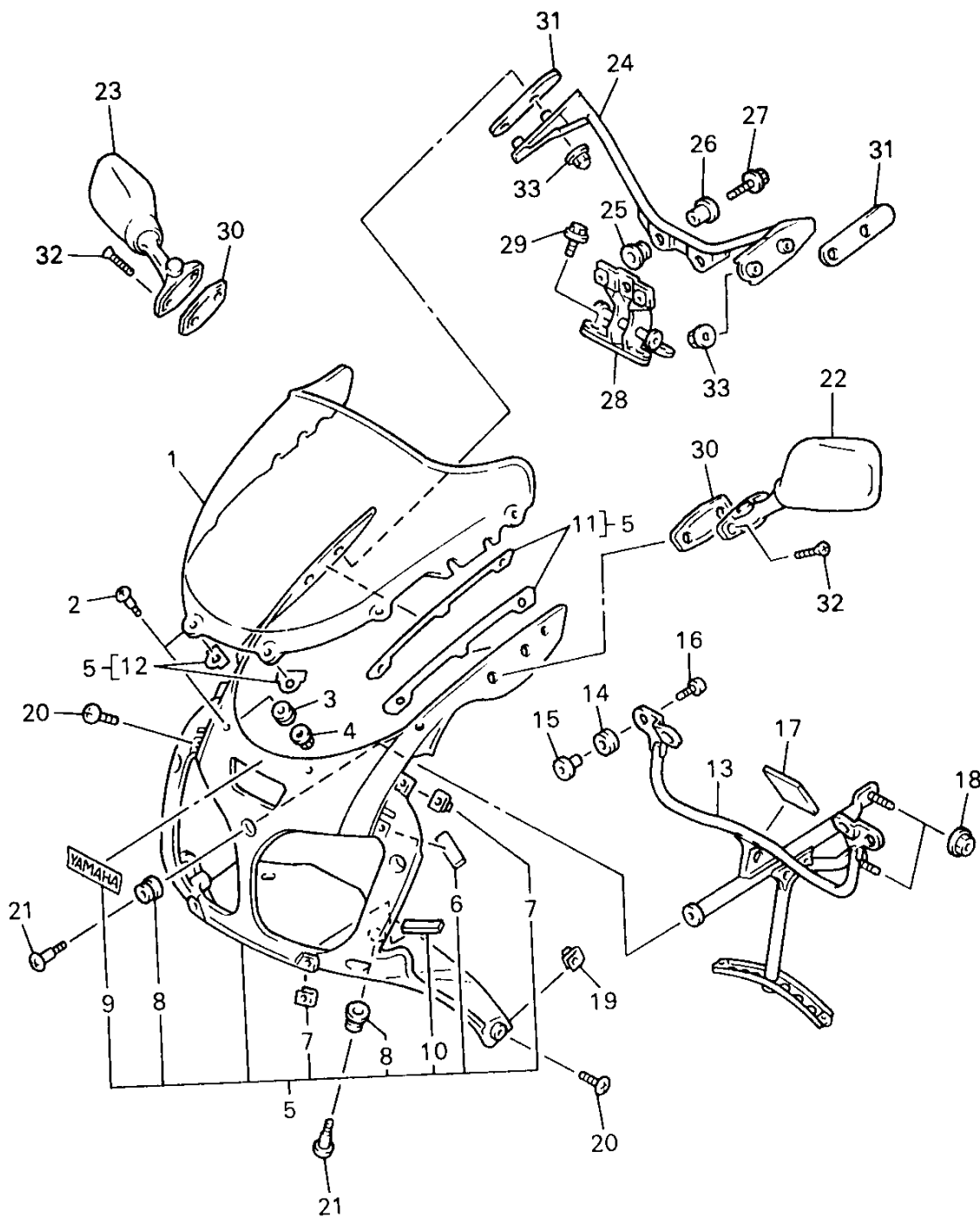
REAR MASTER CYLINDER



Ref. No.	Part Number	Description	Qty	Remarks
29	4FM-25895-00-00	HOSE, RESERVOIR	1	
30	90467-14057-00	CLIP	2	
31	90401-10159-00	BOLT, UNION	2	
32	90201-10118-00	WASHER, PLATE	4	
33	4FM-25874-01-00	HOSE, BRAKE	1	
34	4FM-25875-00-00	HOLDER, BRAKE HOSE 1	1	
35	4FM-25876-00-00	HOLDER, BRAKE HOSE 2	1	
36	95024-06016-00	BOLT, WASHER BASED	1	
37	95027-06008-00	BOLT, FLANGE	1	

4HD300-3370

COWLING 1



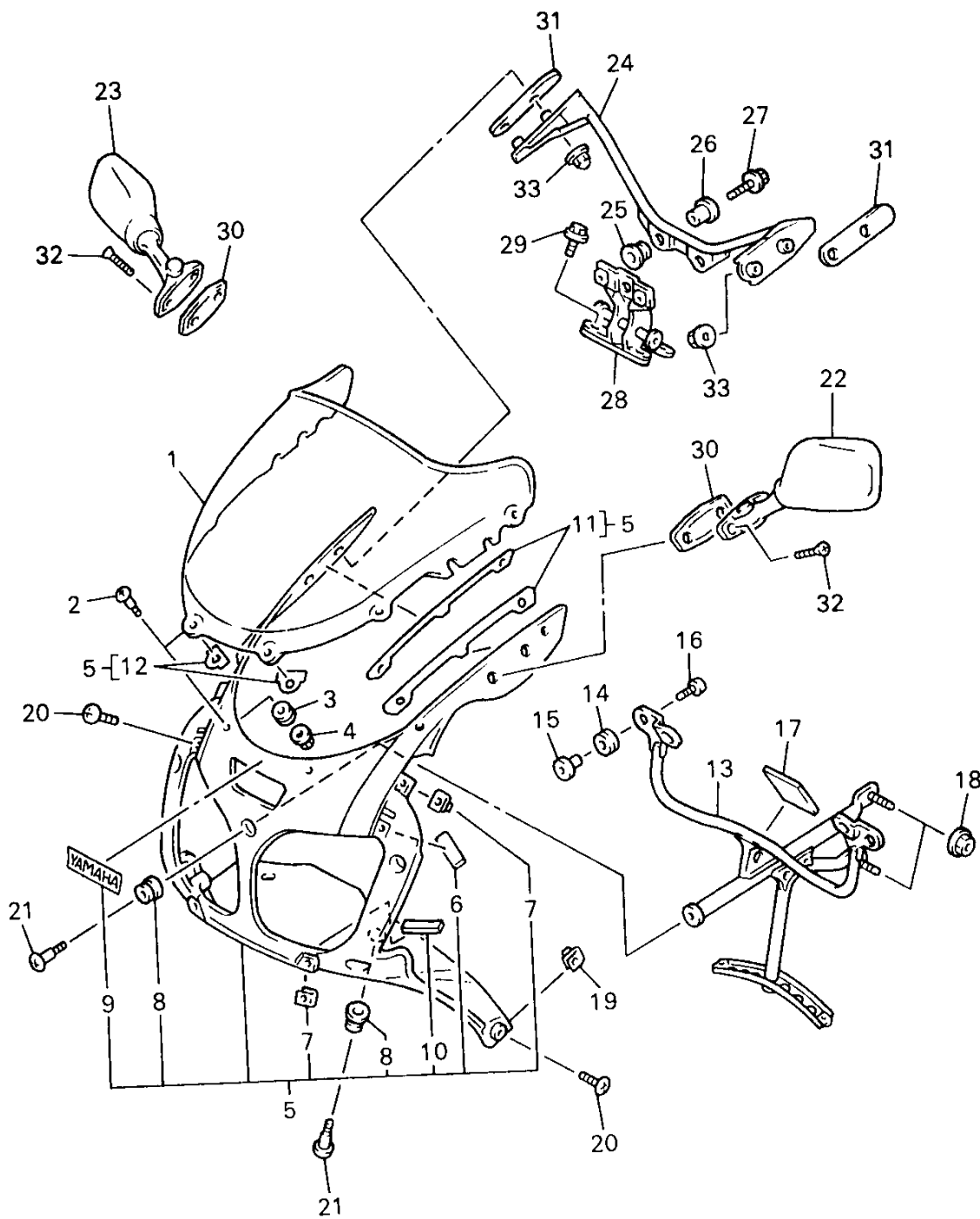
Ref. No.	Part Number	Description	Qty	Remarks
1	4FM-28381-01-00	WINDSHIELD	1	
2	90149-05273-00	SCREW	6	
3	4FM-28215-00-00	WASHER, SPECIAL	6	
4	95707-05500-00	NUT, FLANGE	6	
5	4FM-Y2835-30-P2	COWLING ASS'Y	1	VIVID RED COCKTAIL 1 (121)
6	89X-77167-00-00	. TRIM 3	2	
7	90183-05024-00	. NUT, SPRING	6	
8	90480-13398-00	. GROMMET	3	
9	99236-00100-00	. EMBLEM, YAMAHA	1	
10	3MA-21649-00-00	. DAMPER	2	
11	4FM-2834V-00-00	. PROTECTOR 1	2	
12	4FM-2834W-00-00	. PROTECTOR 2	2	
13	4FM-28356-00-00	STAY 1	1	
14	90480-13163-00	GROMMET	2	
15	90560-06201-00	SPACER	2	
16	97707-50016-00	SCREW, TAPPING	2	
17	51L-28371-00-00	DAMPER	1	
18	95617-08200-00	NUT, SELF-LOCKING	2	
19	90183-05024-00	NUT, SPRING	2	
20	90150-05039-00	SCREW, ROUND HEAD	8	
21	90150-06036-00	SCREW, ROUND HEAD	3	
22	4FM-26280-00-00	REAR VIEW MIRROR ASSEMBLY (LEFT)	1	WHITE
23	4FM-26290-00-00	REAR VIEW MIRROR ASSEMBLY (RIGHT)	1	WHITE
24	4FM-2831W-00-00	STAY, MIRROR 1	1	
25	90480-13398-00	GROMMET	2	
26	90387-067N5-00	COLLAR	2	
27	95027-06016-00	BOLT, FLANGE	2	

CONTINUED ON NEXT FRAME ►



4HD300-5380

COWLING 1

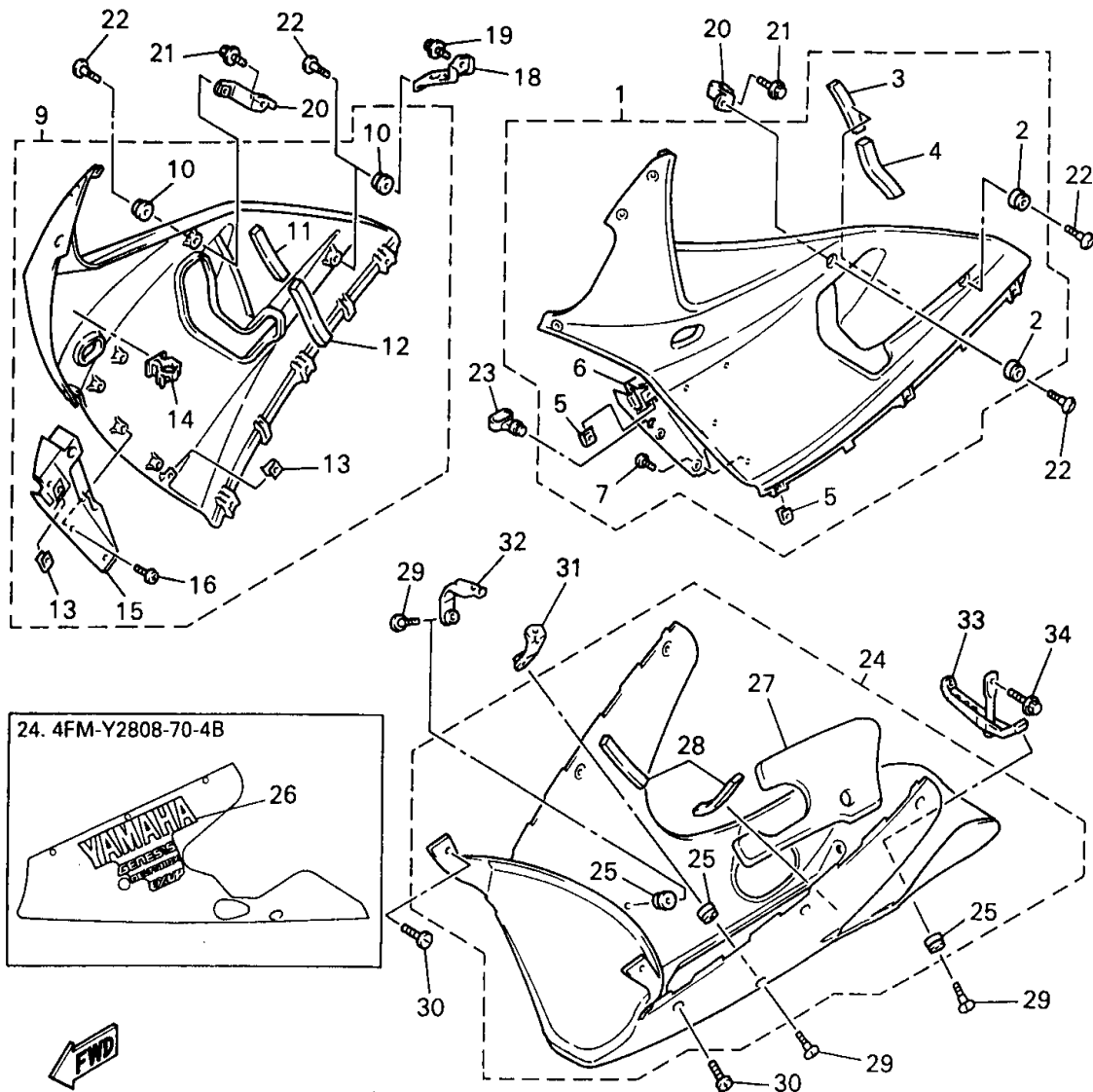
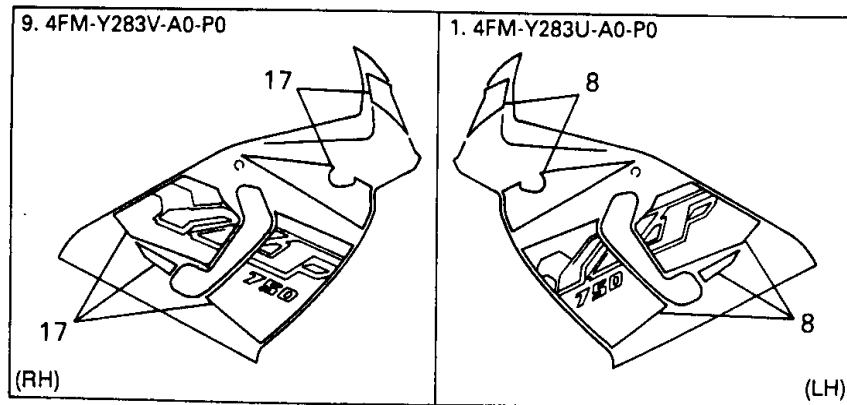


Ref. No.	Part Number	Description	Qty	Remarks
28	4FM-2832W-00-00	STAY, MIRROR 2	1	
29	95027-06012-00	BOLT, FLANGE	2	
30	4FM-26299-00-00	PLATE, MIRROR FITTING 2	2	
31	3XV-26298-00-00	PLATE, MIRROR FITTING 1	2	
32	98707-06025-00	SCREW, FLAT HEAD	4	
33	90176-06055-00	NUT, CROWN	4	



4HD300-5380

COWLING 2

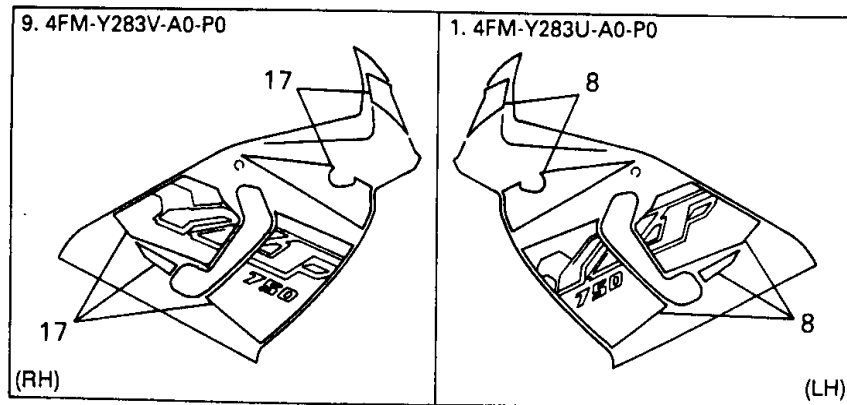


Ref. No.	Part Number	Description	Qty	Remarks
1	4FM-Y283U-A0-P0	PANEL ASSEMBLY 1	1	BLUISH WHITE COCKTAIL 1 (390)
2	90480-13398-00	. GROMMET	2	
3	8V7-21961-00-00	. PATCH 1	1	
4	4FM-28371-10-00	. DAMPER	1	
5	90183-05024-00	. NUT, SPRING	5	
6	4FM-2836K-00-00	. PANEL, INNER 1	1	
7	97707-40014-00	. SCREW, TRUSS	4	
8	4HD-28301-10-00	. GRAPHIC SET, LOWER COVER 1	1	
9	4FM-Y283V-A0-P0	PANEL ASSEMBLY 2	1	BLUISH WHITE COCKTAIL 1 (390))
10	90480-13398-00	. GROMMET	2	
11	8V7-21961-00-00	. PATCH 1	1	
12	4FM-28371-10-00	. DAMPER	1	
13	90183-05024-00	. NUT, SPRING	5	
14	90464-25160-00	. CLAMP	1	
15	4FM-2836L-00-00	. PANEL, INNER 2	1	
16	97707-40014-00	. SCREW, TRUSS	4	
17	4HD-28303-10-00	. GRAPHIC SET, LOWER COVER 2	1	
18	4FM-28322-00-00	STAY 2	1	
19	95817-06010-00	BOLT, FLANGE	1	
20	4FM-2836H-00-00	BRACKET 5	2	
21	95817-08012-00	BOLT, FLANGE	2	
22	90150-06036-00	SCREW, ROUND HEAD	4	
23	1A8-21518-00-00	HOLDER, CABLE	1	
24	4FM-Y2808-70-4B	COVER ASSEMBLY, UNDER ..	1	BLACK 2 (04B)
25	90480-13398-00	. GROMMET	4	
26	4HD-28308-00-00	. EMBLEM SET	1	

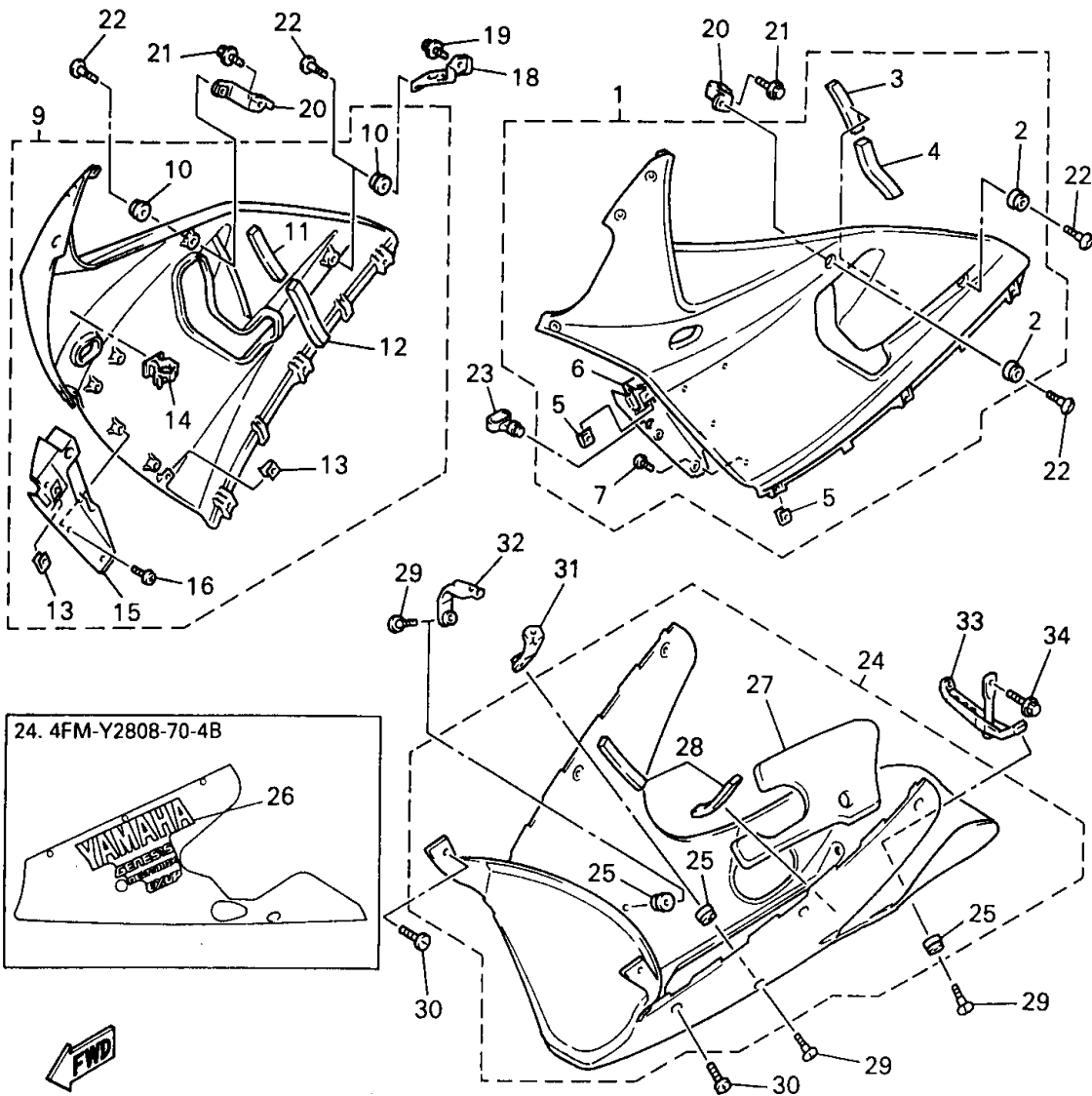
CONTINUED ON NEXT FRAME ►

4FM351-6390

COWLING 2

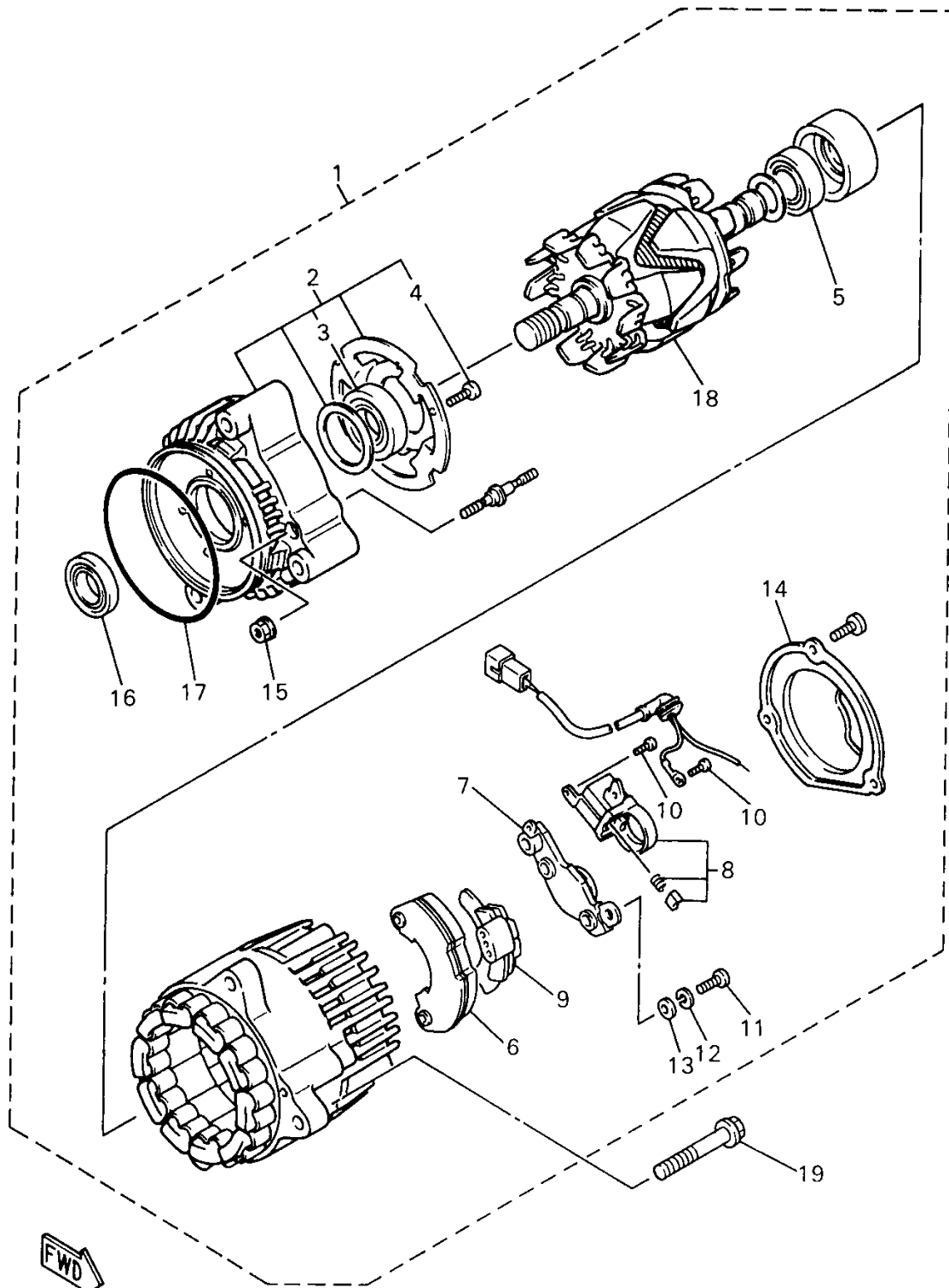


Ref. No.	Part Number	Description	Qty	Remarks
27	4FM-2848K-10-00	. SEAT 2	1	
28	8V7-21961-00-00	. PATCH 1	2	
29	90150-06036-00	SCREW, ROUND HEAD	4	
30	90150-05039-00	SCREW, ROUND HEAD	8	
31	4FM-2836F-00-00	BRACKET 3	1	
32	4FM-2836G-00-00	BRACKET 4	1	
33	4FM-2831T-00-00	STAY, SUPPORT 1	1	
34	90119-06018-00	BOLT, WITH WASHER	1	



4FM351-6390

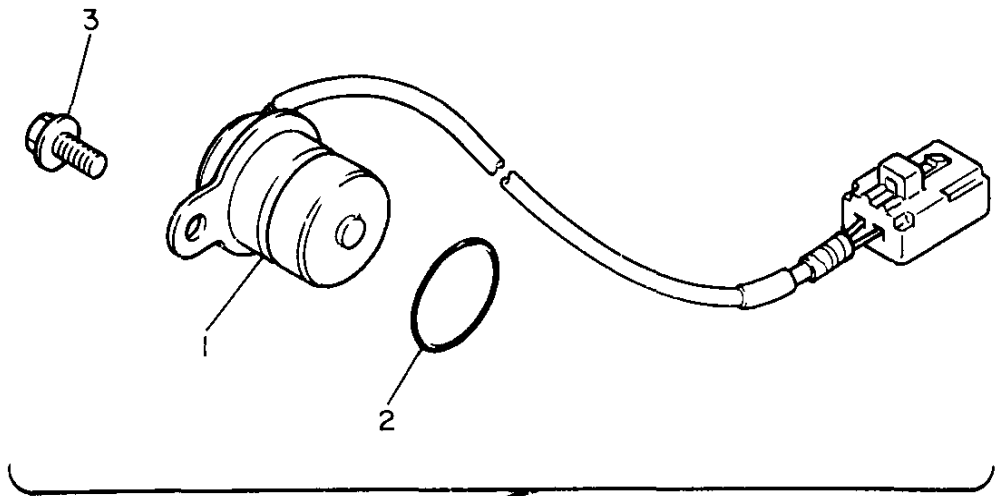
GENERATOR



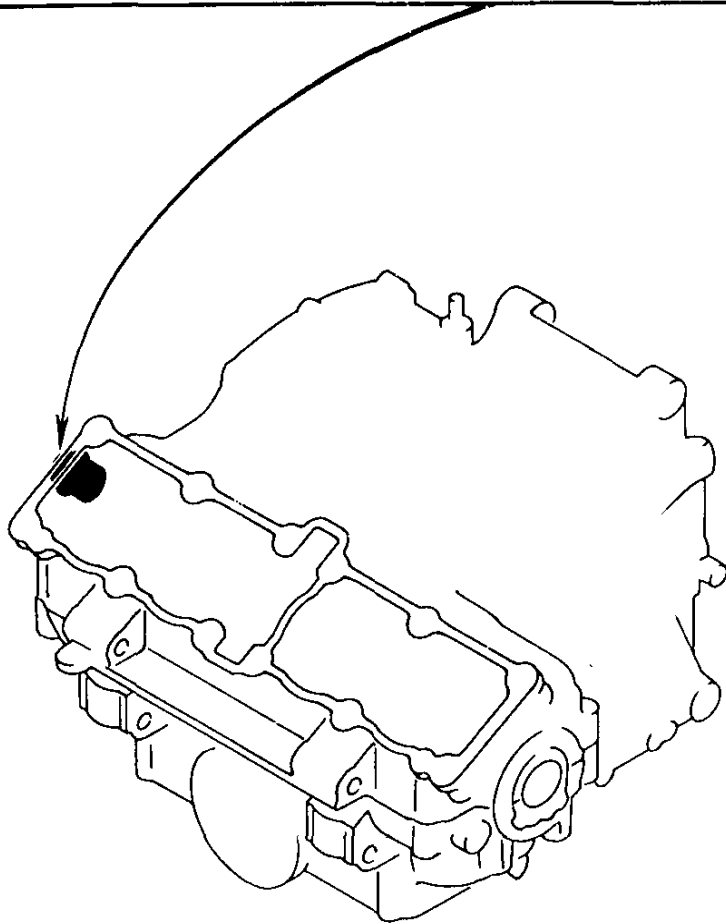
4BH332-3430

Ref. No.	Part Number	Description	Qty	Remarks
1	4BH-81600-00-00	A.C. GENERATOR ASSEMBLY	1	
2	4BH-81634-00-00	. STATOR ASSEMBLY	1	
3	4BH-81643-00-00	.. BEARING	1	
4	4BH-81645-00-00	.. SCREW	4	
5	4BH-81643-10-00	. BEARING	1	
6	4BH-81970-00-00	. RECTIFIER ASSEMBLY	1	
7	36Y-81910-50-00	. VOLTAGE REGULATOR ASSEMBLY	1	
8	3FV-81619-00-00	. BRUSH HOLDER ASSEMBLY	1	
9	4BH-81972-00-00	. COVER, RECTIFIER	1	
10	3FV-81645-00-00	. SCREW	2	
11	98507-05018-00	..SCREW, PAN HEAD	3	
12	92990-05100-00	. WASHER, SPRING	3	
13	92990-05600-00	. WASHER, PLATE	3	
14	4BH-81604-00-00	. COVER ASSEMBLY	1	
15	95707-05500-00	. NUT, FLANGE	2	
16	36Y-81638-50-00	. OIL SEAL	1	
17	2KT-81642-50-00	. O-RING	1	
18	4BH-81660-00-00	. ROTOR ASSEMBLY	1	
19	95817-08065-00	BOLT, FLANGE	3	

PICK UP COIL - GOVERNOR

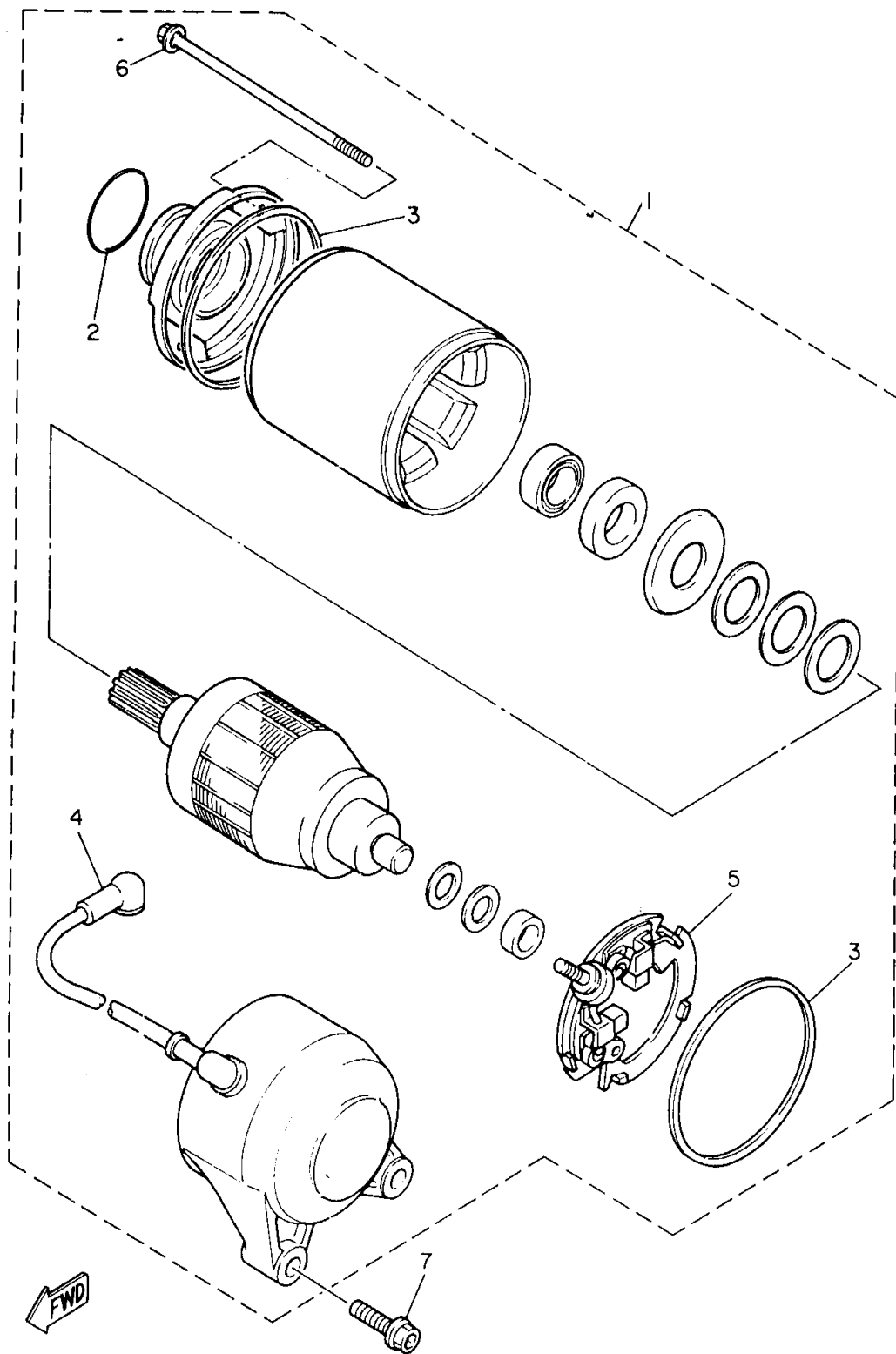


Ref. No.	Part Number	Description	Qty	Remarks
1	3GM-81670-00-00	PICK-UP ASSEMBLY	1	
2	93210-19216-00	.O-RING	1	
3	95027-06012-00	BOLT, FLANGE	1	



2GH300-7400

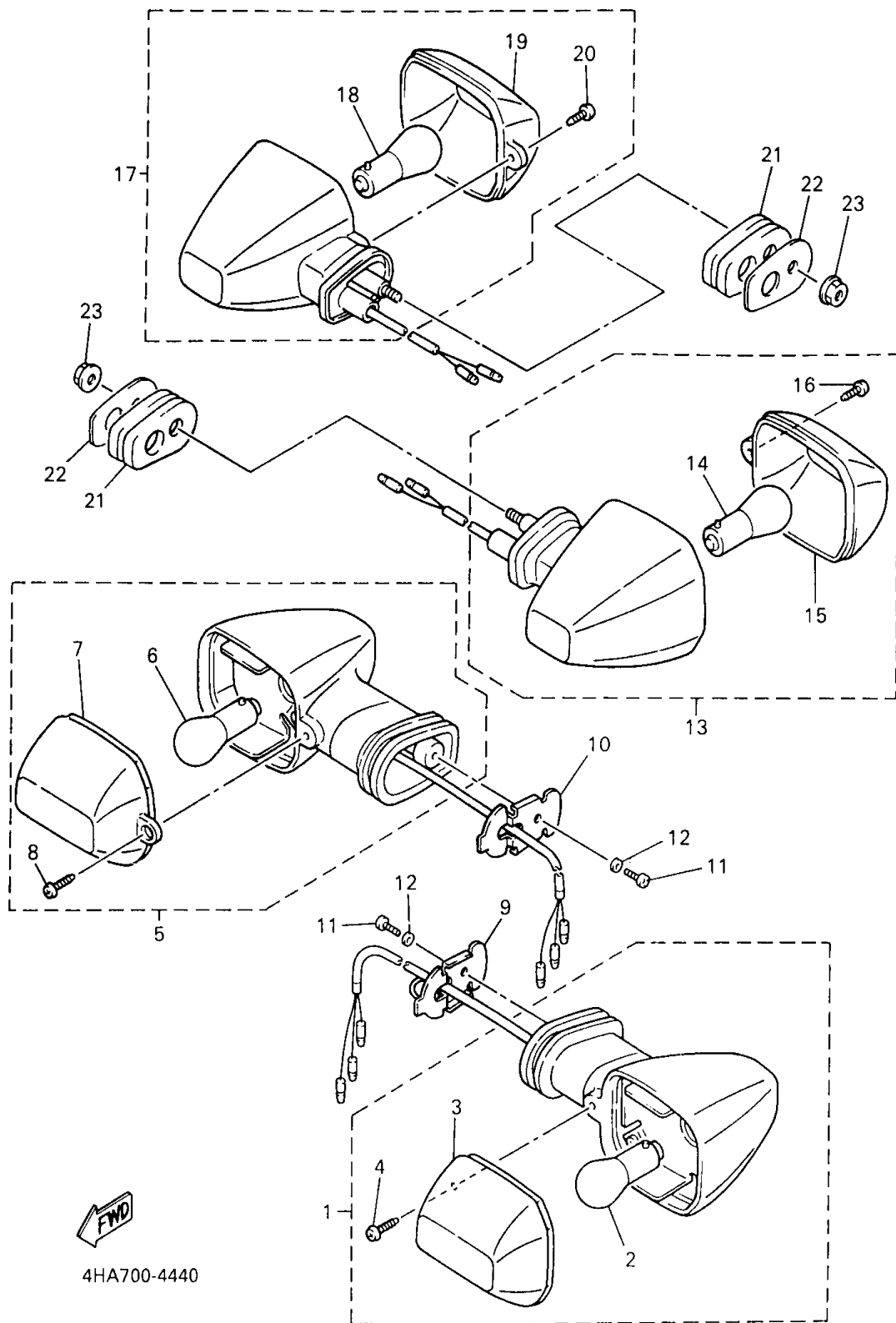
STARTING MOTOR



3KS351-9420

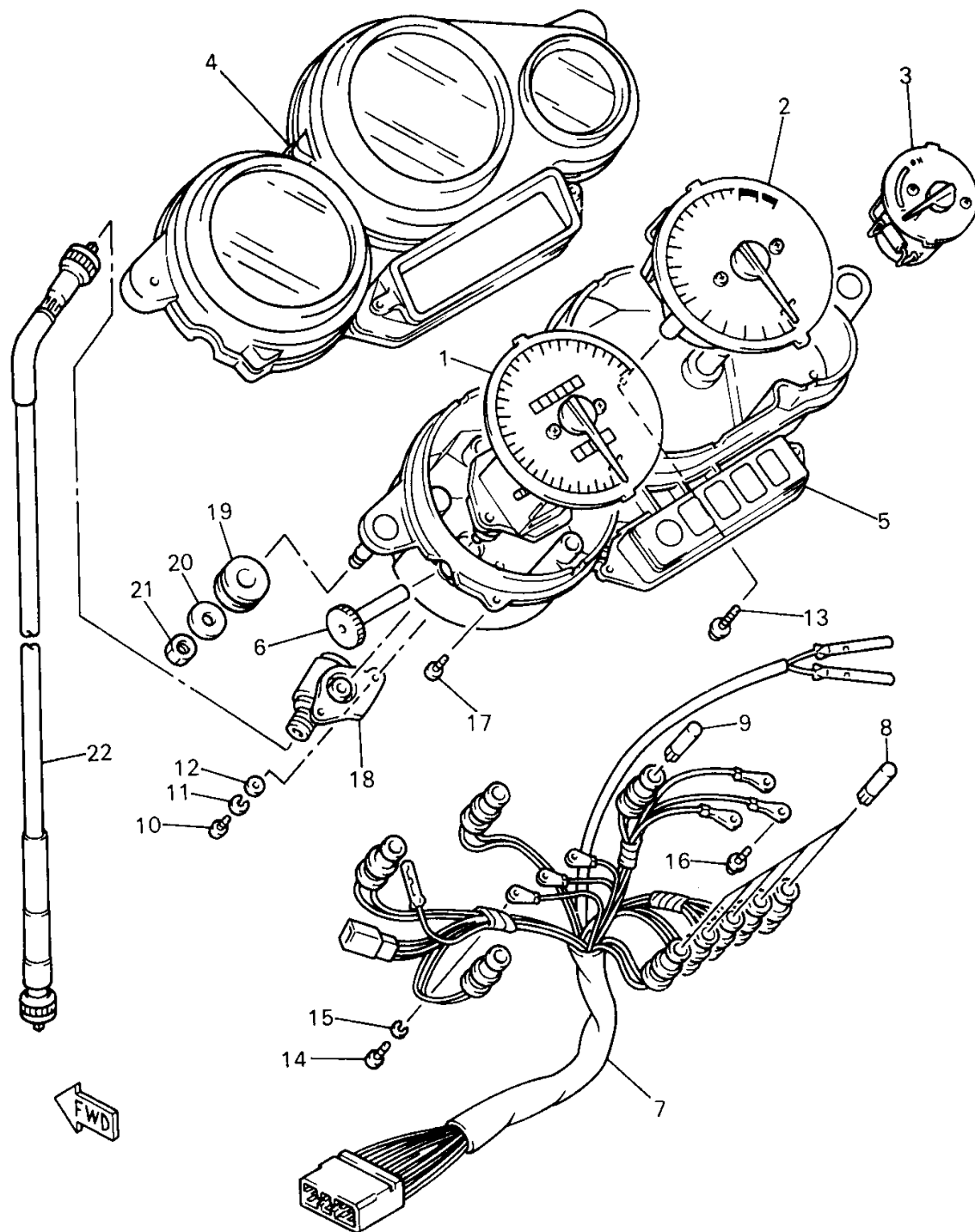
Ref. No.	Part Number	Description	Qty	Remarks
1	3XF-81800-00-00	STARTING MOTOR ASSEMBLY	1	
2	26H-81847-00-00	...O-RING	1	
3	11H-81844-00-00	..GASKET	2	
4	2KT-81815-00-00	. CORD, STARTER MOTOR	1	
5	3KS-81840-00-00	. BRUSH HOLDER ASSY	1	
6	3HE-81826-00-00	. BOLT	2	
7	95817-06025-00	BOLT, FLANGE	2	

FLASHER LIGHT



Ref. No.	Part Number	Description	Qty	Remarks
1	4JH-83310-11-00	FRONT FLASHER LIGHT ASSY 1	1	
2	256-84714-61-00	. BULB (12V-21/5W)	1	
3	4JH-83332-10-00	. LENS, FLASHER	1	
4	97702-40610-00	. SCREW, TAPPING	1	
5	4JH-83320-11-00	FRONT FLASHER LIGHT ASSY 2	1	
6	256-84714-61-00	. BULB (12V-21/5W)	1	
7	4JH-83342-10-00	. LENS, FLASHER 2	1	
8	97702-40610-00	. SCREW, TAPPING	1	
9	4JH-83318-10-00	STAY, FLASHER 1	1	
10	4JH-83318-10-00	STAY, FLASHER 1	1	
11	98507-04008-00	SCREW, PAN HEAD	2	
12	92907-04600-00	WASHER	2	
13	4JH-83330-20-00	REAR FLASHER LIGHT ASSY 1	1	
14	256-83311-70-XX	. BULB (12V-27W)	1	
15	4JH-83332-10-00	. LENS, FLASHER	1	
16	97702-40610-00	. SCREW, TAPPING	1	
17	4JH-83340-20-00	FLASHER LIGHT ASSY 2	1	
18	256-83311-70-XX	. BULB (12V-27W)	1	
19	4JH-83342-10-00	. LENS, FLASHER 2	1	
20	97702-40610-00	. SCREW, TAPPING	1	
21	4FM-83345-00-00	PLUG, BLIND	2	
22	4FM-83369-00-00	STAY, FLASHER 2	2	
23	95707-06500-00	NUT, FLANGE	2	

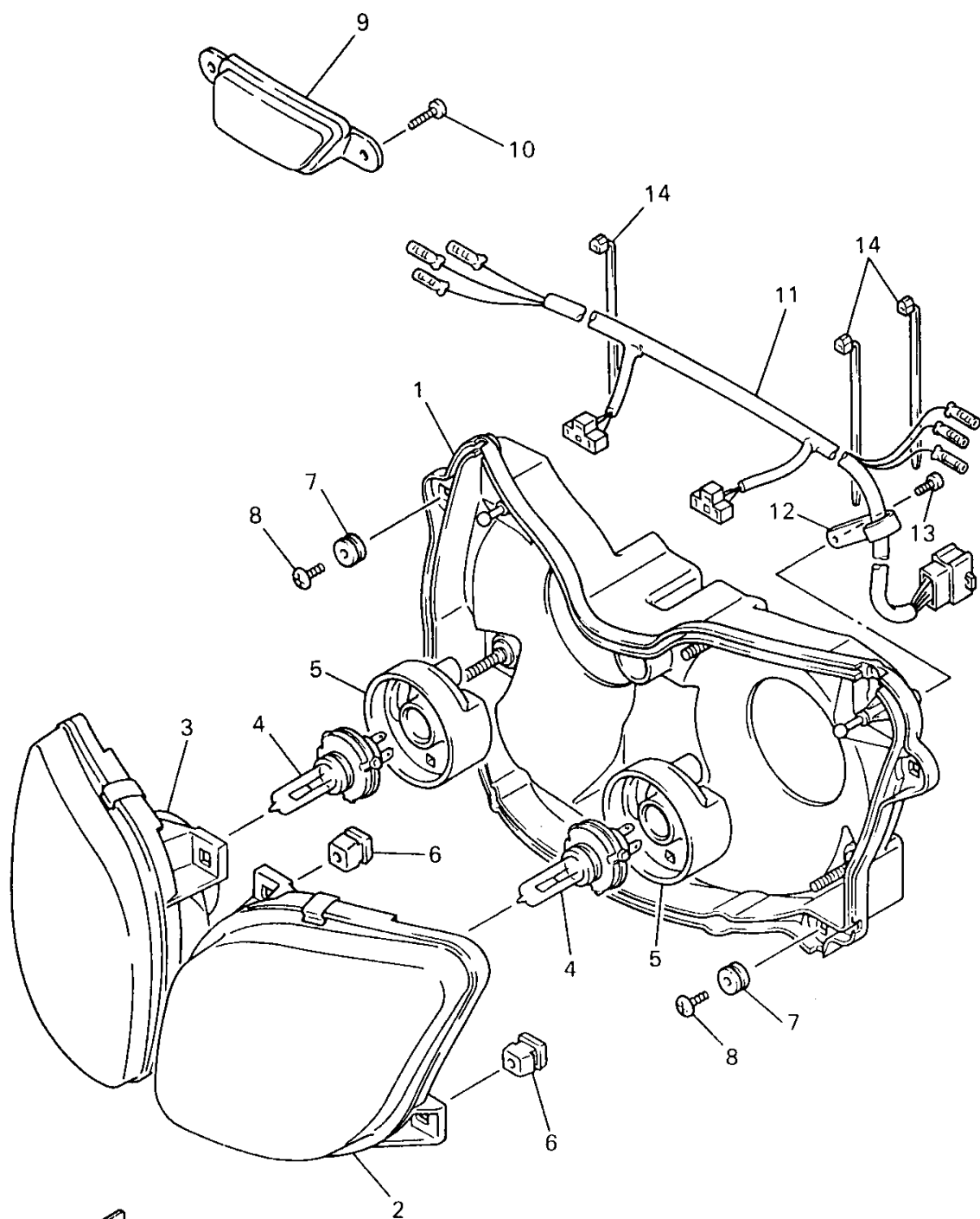
METER



Ref. No.	Part Number	Description	Qty	Remarks
1	4FM-83570-10-00	SPEEDOMETER ASSEMBLY ..	1	
2	4FM-83540-00-00	TACHOMETER ASSEMBLY ...	1	
3	4FM-83590-00-00	WATER TEMPERATURE ASSEMBLY	1	
4	4FM-83559-00-00	COVER, METER	1	
5	4FM-8353H-60-00	CASE, UNDER (4FM-8353H-50-00)	1	
6	2GH-83578-00-00	KNOB, TRIP METER	1	
7	4FM-83509-80-00	SOCKET CORD ASSEMBLY ..	1	
8	4G1-84744-00-XX	BULB (12V-3.4W T10)	5	
9	3FV-83517-00-00	BULB (12V-1.7W, T6.5)	4	
10	98507-04010-00	.SCREW, PAN HEAD	4	
11	92907-04100-00	.WASHER, SPRING	4	
12	92907-04600-00	WASHER	4	
13	97902-04122-00	.SCREW, WITH WASHER	2	
14	98507-03010-00	.SCREW, PAN HEAD	3	
15	92990-03100-00	WASHER	3	
16	90159-03102-00	.SCREW, WITH WASHER	3	
17	90164-04023-00	.SCREW, TAPPING	5	
18	4FM-83520-00-00	SOCKET CORD ASSY	1	
19	5J0-83513-00-00	DAMPER	2	
20	90201-065F3-00	WASHER, PLATE	2	
21	95317-06600-00	NUT	2	
22	4FM-83550-02-00	SPEEDOMETER CABLE ASSEMBLY	1	

4HD300-3440

HEADLIGHT

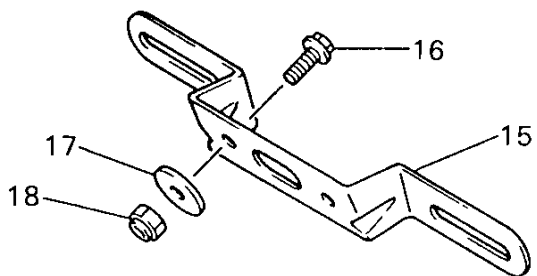
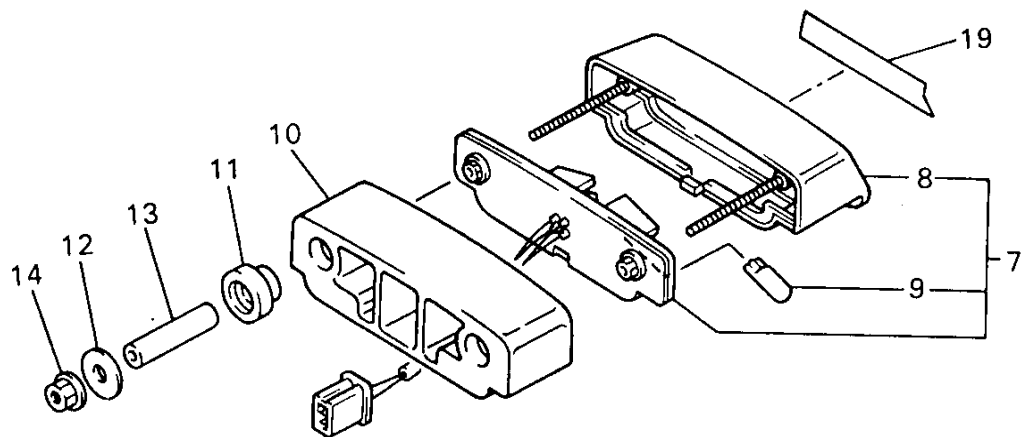
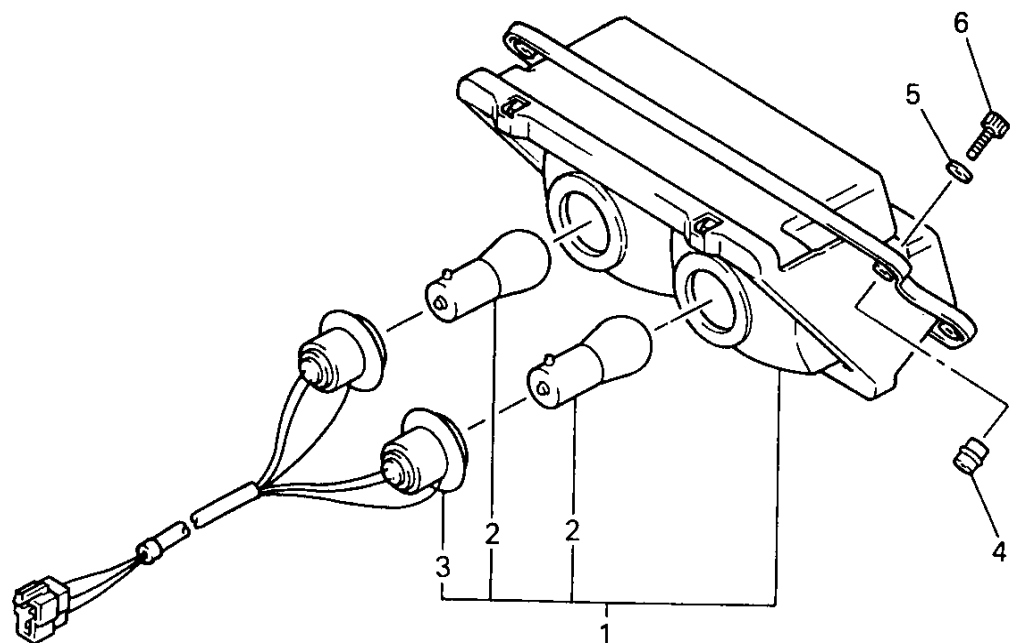


Ref. No.	Part Number	Description	Qty	Remarks
1	4FM-84330-41-00	BODY ASSEMBLY	1	
2	4FM-84320-40-00	LENS ASSEMBLY	1	
3	4FM-8432A-40-00	LENS ASSEMBLY	1	
4	1ML-84314-00-XX	BULB (12V-35/35W)	2	HALOGEN
5	4JG-84397-00-00	COVER, SOCKET	2	
6	51L-84334-00-00	NUT, ADJUSTING	4	
7	90480-10584-00	GROMMET	4	
8	97707-60014-00	SCREW, TAPPING	4	
9	3LK-84378-00-P1	CAP	1	VIVID RED COCKTAIL 1 (121)
10	97707-50012-00	SCREW, TAPPING	2	
11	4HY-84359-10-00	CORD, HEADLIGHT	1	
12	90462-05061-00	CLAMP	1	
13	97707-50012-00	SCREW, TAPPING	1	
14	90464-13073-00	CLAMP	3	



4HA700-4460

TAILLIGHT

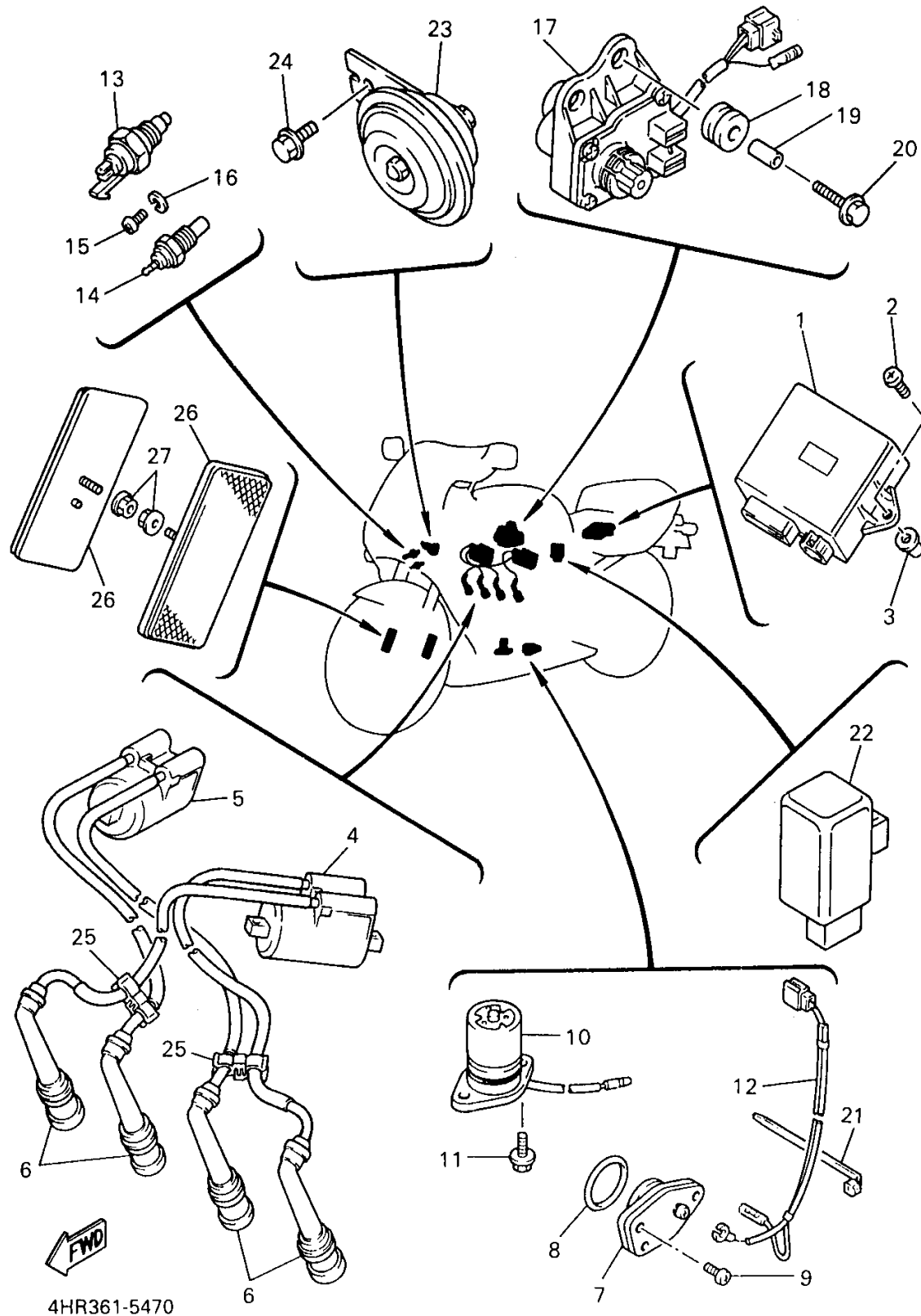


Ref. No.	Part Number	Description	Qty	Remarks
1	4FM-84710-10-00	TAILLIGHT UNIT ASSEMBLY ..	1	
2	1A2-84714-41-00	. BULB	2	
3	4FM-84735-00-00	. CORD ASSEMBLY	1	
4	90179-05523-00	NUT, SPEC'L SHAPE	4	
5	92907-05600-00	WASHER, PLATE	4	
6	90110-05112-00	BOLT, HEXAGON SOCKET HEAD	4	
7	4FM-84745-10-00	LICENCE LIGHT UNIT ASSEMBLY	1	
8	4FM-84749-10-00	. BODY, LICENCE LIGHT	1	
9	3F9-84744-00-XX	. BULB, METER 12V 3.8W	2	
10	4FM-84742-00-00	SEAT, BASE	1	
11	3F9-84553-00-00	DAMPER	2	
12	90201-05033-00	WASHER, PLATE	2	
13	90387-0601Y-00	COLLAR	2	
14	95707-05500-00	NUT, FLANGE	2	
15	4FM-84751-00-00	BRACKET, LICENSE	1	
16	95027-06016-00	BOLT, FLANGE	2	
17	90201-065F3-00	WASHER, PLATE	2	
18	95617-06100-00	NUT, U	2	
19	99236-00080-00	EMBLEM, YAMAHA	1	



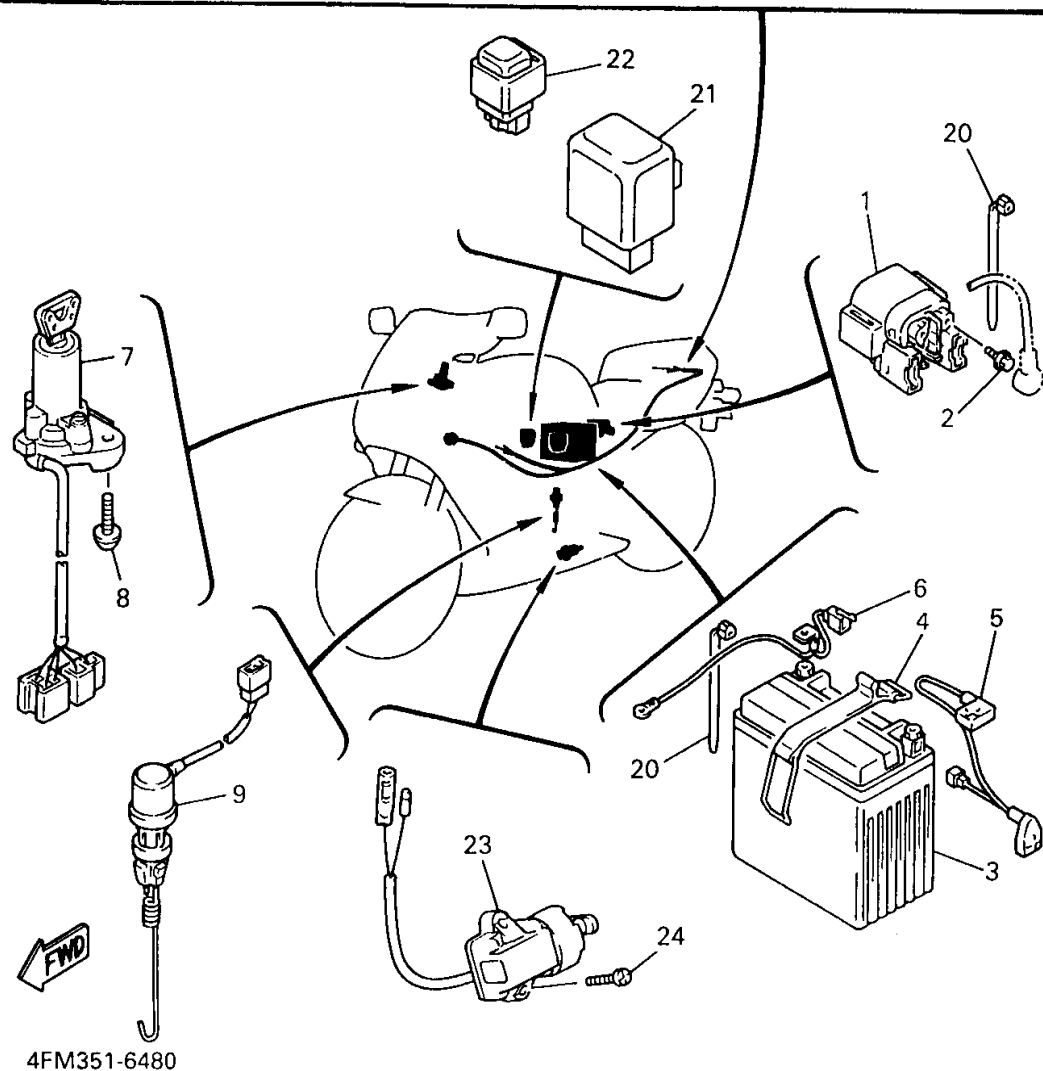
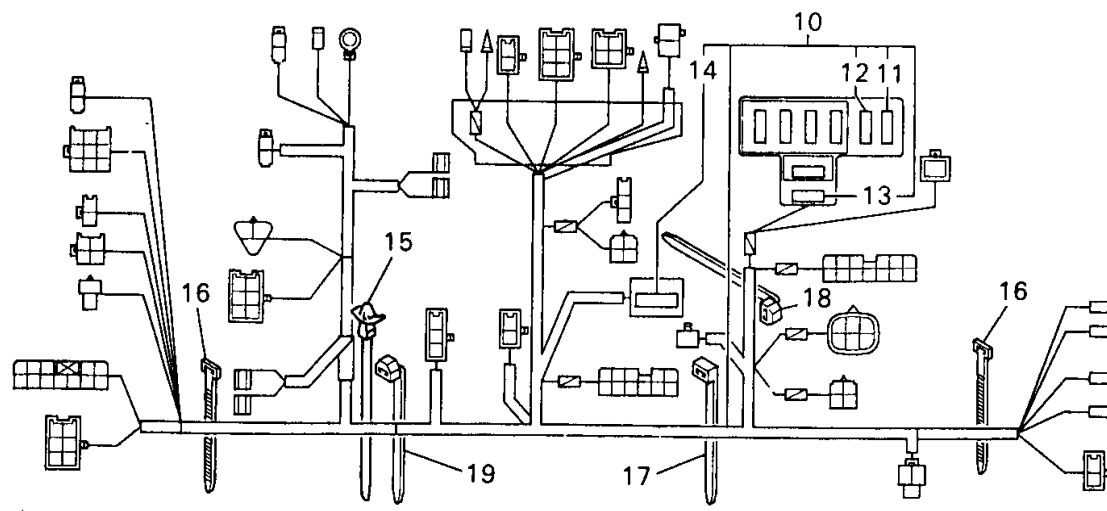
4HA700-3480

ELECTRICAL 1



Ref. No.	Part Number	Description	Qty	Remarks
1	4LE-82305-10-00	IGNITOR UNIT ASSEMBLY ...	1	
2	97707-60016-00	SCREW, TAPPING	2	
3	90338-08226-00	PLUG, SPEC'L SHAPE	2	
4	4FM-82310-00-00	IGNITION COIL ASSEMBLY ...	1	
5	4FM-82320-00-00	IGNITION COIL ASSEMBLY ...	1	
6	2KT-82370-00-00	PLUG CAP ASSEMBLY	4	
7	1AE-82540-00-00	NEUTRAL SWITCH ASSY	1	
8	93210-29196-00	O-RING	1	
9	98507-06016-00	SCREW, PAN HEAD	2	
10	3GM-85720-00-00	OIL LEVEL GAUGE ASSEMBLY	1	
11	95027-06014-00	BOLT, FLANGE	2	
12	4HR-82541-00-00	WIRE, LEAD	1	
13	3LN-82560-01-00	THERMOSWITCH ASSY	1	
14	11H-83591-00-00	THERMO UNIT	1	
15	98507-05008-00	SCREW, PAN HEAD	1	
16	92907-05600-00	WASHER, PLATE	1	
17	4FM-85820-00-00	SERVO MOTOR ASSEMBLY ..	1	
18	90480-14412-00	GROMMET	2	
19	90387-0609L-00	COLLAR	2	
20	95817-06030-00	BOLT, FLANGE	2	
21	90464-13073-00	CLAMP	2	
22	3GM-83350-01-00	FLASHER RELAY ASSY	1	
23	4FM-83371-00-00	HORN	1	
24	95817-06010-00	BOLT, FLANGE	1	
25	90464-10186-00	CLAMP	2	
26	11H-85110-01-00	REFLECTOR ASSY	2	
27	95707-05500-00	NUT, FLANGE	2	

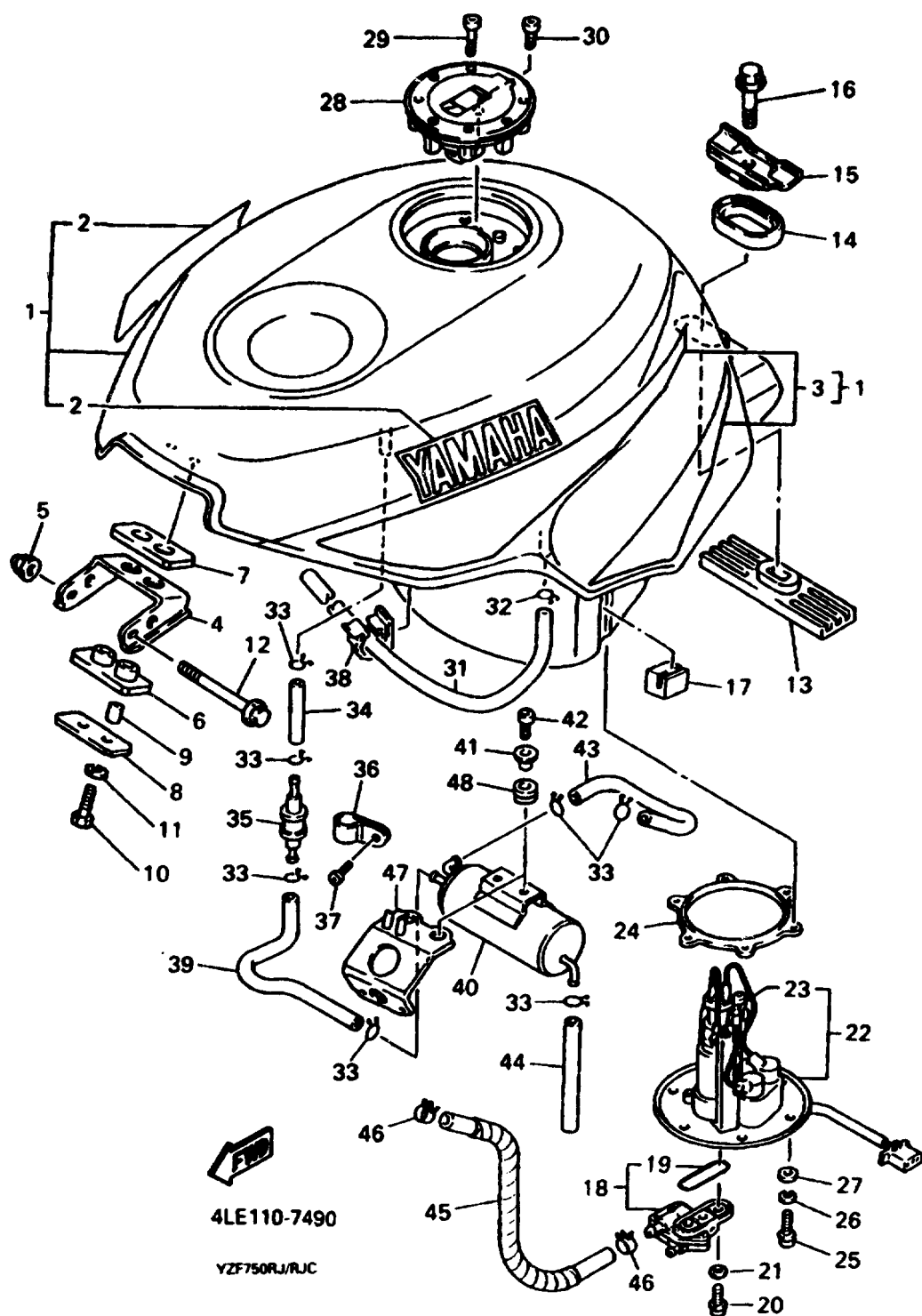
ELECTRICAL 2



Ref. No.	Part Number	Description	Qty	Remarks
1	4FM-81940-00-00	STARTER RELAY ASSEMBLY .	1	
2	95027-06008-00	BOLT, FLANGE	2	
3	BTY-YTX12-BS-00	BATTERY ASSY (YTX12-BS) ..	1	
4	4BP-82131-00-00	BAND, BATTERY	1	
5	4FM-82115-00-00	WIRE, PLUS LEAD	1	
6	4JH-82116-00-00	WIRE, MINUS LEAD	1	
7	4NA-82501-01-00	MAIN SWITCH STEERING LOCK	1	
8	90109-080G5-00	BOLT	2	
9	1KT-82530-02-00	STOP SWITCH ASSEMBLY ...	1	
10	4HY-82590-20-00	WIRE HARNESS ASSEMBLY ..	1	
11	2KW-82151-00-00	. FUSE (7.5A-BL)	3	
12	2GV-82151-00-00	. FUSE, 20 AMP	3	
13	36Y-82151-00-00	. FUSE (15A-BL)	2	
14	4FM-82151-00-00	. FUSE (30A)	1	
15	90464-12036-00	CLAMP	1	
16	90464-12089-00	CLAMP	7	
17	90464-13080-00	CLAMP	1	
18	90464-13073-00	CLAMP	1	
19	90464-13073-00	CLAMP	7	
20	90464-15195-00	CLAMP	2	
21	3EN-81950-00-00	RELAY ASSY	1	
22	3GM-81950-00-00	RELAY ASSEMBLY	1	
23	4FM-82566-00-00	SWITCH, SIDE STAND	1	
24	90157-05079-00	.SCREW, PAN HEAD	2	

4FM351-6480

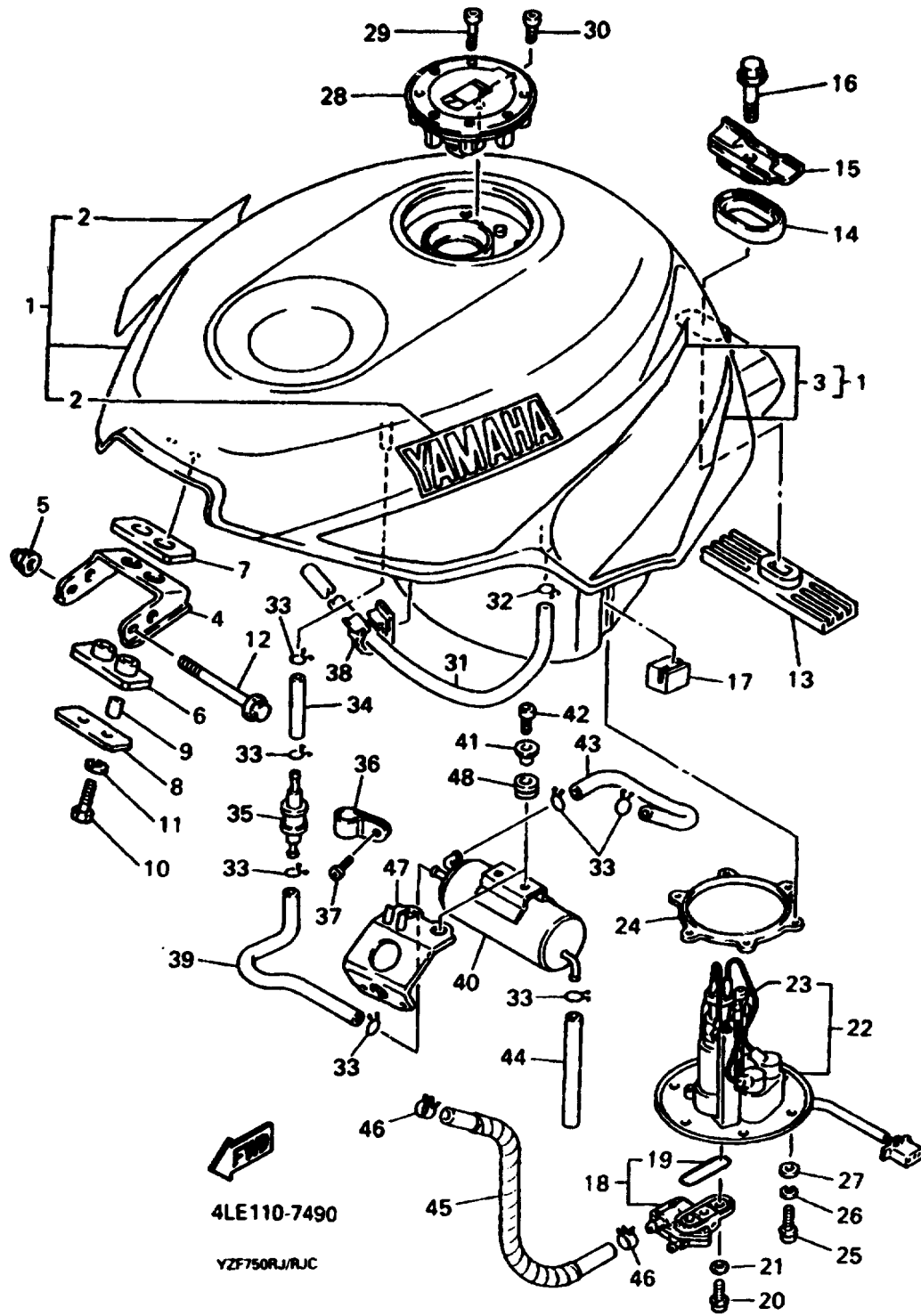
FUEL TANK (CALIFORNIA ONLY)



Ref. No.	Part Number	Description	Qty	Remarks
1	4FM-24110-70-06	FUEL TANK COMP.	1	BLUISH WHITE COCKTAIL 1 (390)
2	99226-00160-00	. EMBLEM, YAMAHA	2	
3	4HD-24240-00-00	. GRAPHIC SET	1	
4	4FM-24191-00-00	BRACKET, FUEL TANK 1	1	
5	90176-06055-00	NUT, CROWN	1	
6	2GH-24181-00-00	DAMPER, LOCATING 1	1	
7	2GH-24183-00-00	DAMPER, LOCATING 3	1	
8	2GH-24186-00-00	WASHER, SPECIAL	1	
9	90387-06553-00	COLLAR	2	
10	97007-06025-00	BOLT	2	
11	92907-06100-00	WASHER, SPRING	2	
12	95817-06075-00	BOLT, FLANGE	1	
13	2GH-24184-00-00	DAMPER, LOCATING 4	1	
14	3Y6-24183-00-00	DAMPER, LOCATING 3	1	
15	4FM-24187-00-00	WASHER, SPECIAL	1	
16	95817-08016-00	BOLT, FLANGE	1	
17	4JH-24183-00-00	DAMPER, LOCATING 3	2	
18	3FV-24500-02-00	FUEL COCK ASSEMBLY 1 ...	1	
19	4X8-24512-00-00	. O-RING	1	
20	90149-06008-00	SCREW	2	
21	90202-05187-00	WASHER, PLATE	2	
22	4FM-13910-00-00	FUEL PUMP ASSEMBLY	1	
23	4FM-85700-00-00	. THERMISTOR ASSEMBLY ...	1	
24	4FM-2414G-00-00	SEAL	1	
25	98507-05016-00	SCREW, PAN HEAD	6	
26	92907-05100-00	WASHER, SPRING	6	
27	92907-05600-00	WASHER, PLATE	6	
28	4HN-24602-00-00	CAP ASSEMBLY	1	

CONTINUED ON NEXT FRAME ►

FUEL TANK (CALIFORNIA ONLY)



Ref. No.	Part Number	Description	Qty	Remarks
29	90110-05112-00	BOLT, HEXAGON SOCKET HEAD	3	
30	91317-05010-00	BOLT	1	
31	90445-102G7-00	HOSE	1	
32	90467-09006-00	CLIP	1	
33	90467-10008-00	CLIP	7	
34	90445-11763-00	HOSE (L45)	1	
35	25H-24180-00-00	ROLL OVER VALVE ASSY ...	1	
36	90461-15100-00	CLAMP	1	
37	98507-05010-00	SCREW, PAN HEAD	1	
38	90464-25160-00	CLAMP	1	
39	3LK-24311-00-00	PIPE, FUEL 1	1	
40	3LK-24170-00-00	CANISTER ASSY	1	
41	90387-062L2-00	COLLAR	2	
42	91317-06016-00	BOLT, HEXAGON SOCKET ...	2	
43	90445-11701-00	HOSE	1	
44	90445-11587-00	HOSE (L100)	1	
45	3FV-14294-02-00	HOSE	1	
46	90467-13123-00	CLIP	2	
47	4LE-14413-00-00	STAY	1	
48	90480-13163-00	GROMMET	1	