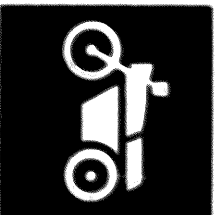


YAMAHA



PARTS CATALOGUE

YZF750SP'95 (4HS5)

YZF750SP'95 (4HS6) EUROPE

254HS-300E 1

YAMAHA
GENUINE
Parts & Accessories

www.exup1000.co.uk

A2

CONTENTS

GENERAL SPEC.

ENGINE

Cylinder Head	B2
Cylinder	B3
Crankshaft Piston	B4
Valve	B5 ~ B6
Camshaft Chain	B7
Water Pump	B8
Radiator Hose	B9 ~ B10
Oil Pump	B11 ~ B12
Oil Cleaner	B13
Intake	B14 ~ B15
Carburetor	C2 ~ C3
Exhaust	C4
Crankcase	C5 ~ C6
Crankcase Cover 1	C7 ~ C8
Starter	C9
Clutch	C10
Transmission	C11 ~ C12
Shift Cam Fork	C13
Shift Shaft	C14

CHASSIS

Frame	C15 ~ D2
Fender	D3 ~ D4
Side Cover	D5
Rear Arm	D6 ~ D7
Rear Suspension	D8
Steering	D9
Front Fork	D10 ~ D11
Fuel Tank	D12 ~ D13

FOR ENGLAND, IRELAND

Alternate (Meter)	G4
Alternate (Headlight)	G5

INDEX

NUMERICAL INDEX	L1 ~ L5
-----------------------	---------

INDIVIDUAL SPEC. FOR ITALY

Seat	D14
Front Wheel	D15
Front Brake Caliper	E2
Rear Wheel	E3 ~ E4
Rear Brake Caliper	E5
Steering Handle Cable	E6
Front Master Cylinder	E7 ~ E8
Front Master Cylinder 2	E9
Stand Footrest	E10 ~ E11
Rear Master Cylinder	E12 ~ E13
Cowling 1	E14 ~ E15
Cowling 2	F2 ~ F3
Generator	F4
Pick Up Coil Governor	F5
Starting Motor	F6
Flasher Light	F7
Meter	F8
Headlight	F9
Tailight	F10
Electrical 1	F11
Electrical 2	F12

Alternate (Headlight)	F14
-----------------------------	-----

FOR HOLLAND

Alternate (Headlight)	G2
-----------------------------	----



A3

FOREWORD

This Parts Catalogue is related to the parts for the model(s) in the below frame. When you are ordering replacement parts, please refer to this Parts Catalogue and quote both part numbers and part names correctly.

YZF750SP 91(4HS/4HS6)

1. Modifications or additions which have been made after issue of the Parts Catalogue will be announced in the Yamaha Parts News. It is advisable that you make necessary corrections to the Parts Catalogue according to the Yamaha Parts News.

2. Abbreviations

The following abbreviations are used in this Parts Catalogue:

- "UR" Use specified parts number
- "UN" Use as many as needed
- "AP" Alternate Parts
- "LM" Local Made (Parts need to be ordered locally)
- "FR" Frame No. (Applicable machine No.)

3. Parts, which are to be supplied in an assembly, are listed with a dot (.) in front of the part name as shown below.

EXAMPLE
 CARBURETOR ASSY
 J.T. PILOT
 NOZZLE, MAIN

4. Number of component for assembly
 The numeral appearing to the right of each component part indicates the quantity of parts for each assembly unit.

EXAMPLE

PART NO.	DESCRIPTION	QTY.	REMARKS
ZF5-B3310-60	FRONT FLASHER LIGHT ASSY	2	
115-B3311-60	BULB (6V-18W)	1	

5. Applicable colors of graphics are represented in the "or MARKS" as shown below.

PART NO.	DESCRIPTION	QTY.	REMARKS
ZNA-Z4110-00-X5	FUEL TANK COMP	1	MAXIM RED
311-Z4240-10	GRAPHIC FUEL TANK	1	for MAX

6. Applicable Serial No. and Color Code

4HS5

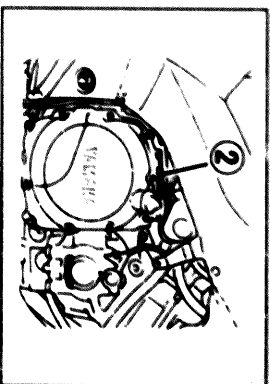
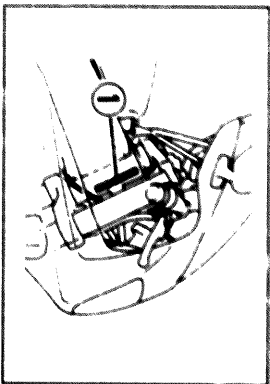
① Frame Serial No. 4HS-005101 -

② Engine Serial No. 4HS-005101 -

4HS6

① Frame Serial No. 4HS-007101 -

② Engine Serial No. 4HS-007101 -

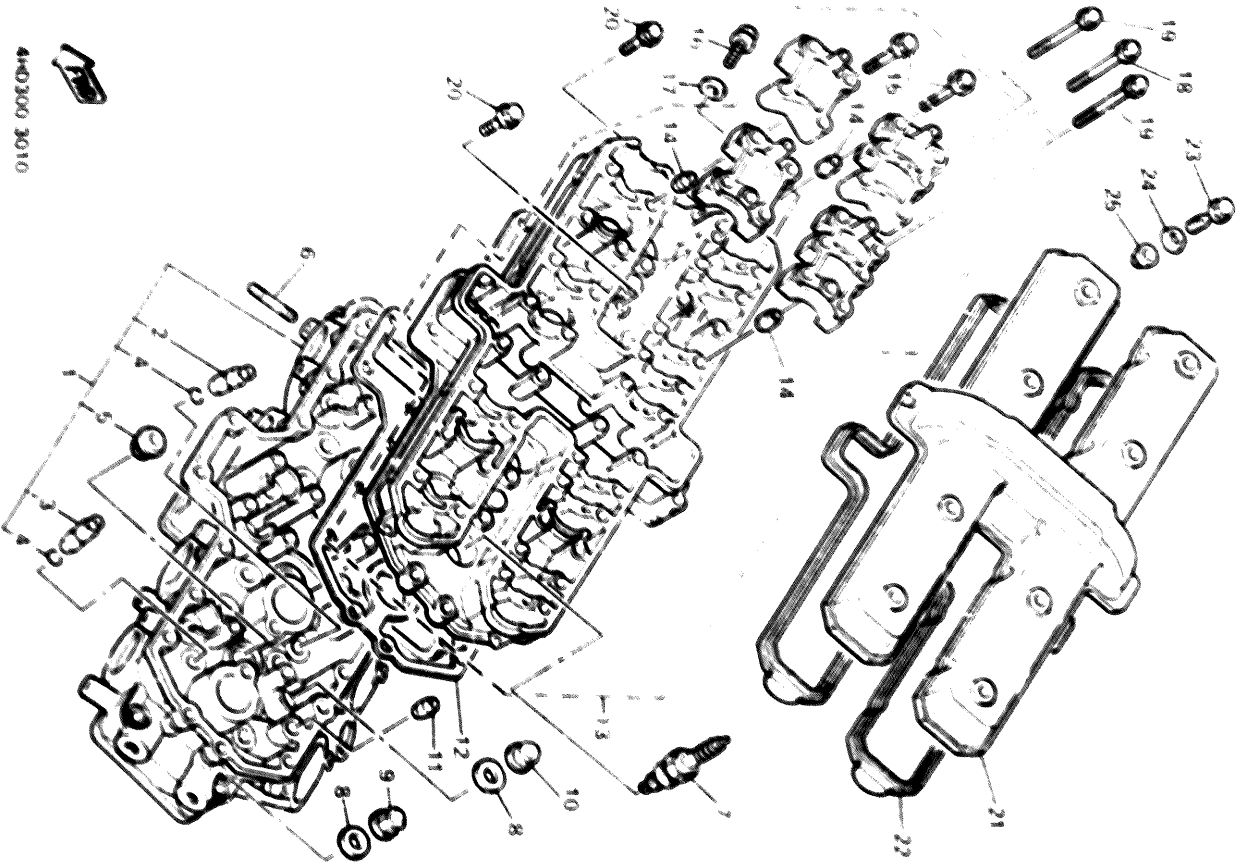


Color Code	Color Name	Abbreviation
C390	BLUSH WHITE COCKTAIL 1	BWC1

7. Note that the illustrations are for reference in finding parts numbers, not to be used for assembly. When assembling, please use the applicable service manual.
8. The asterisk (*) before a reference number indicates modification items after the first edition.

A4

FIG. 1 CYLINDER HEAD

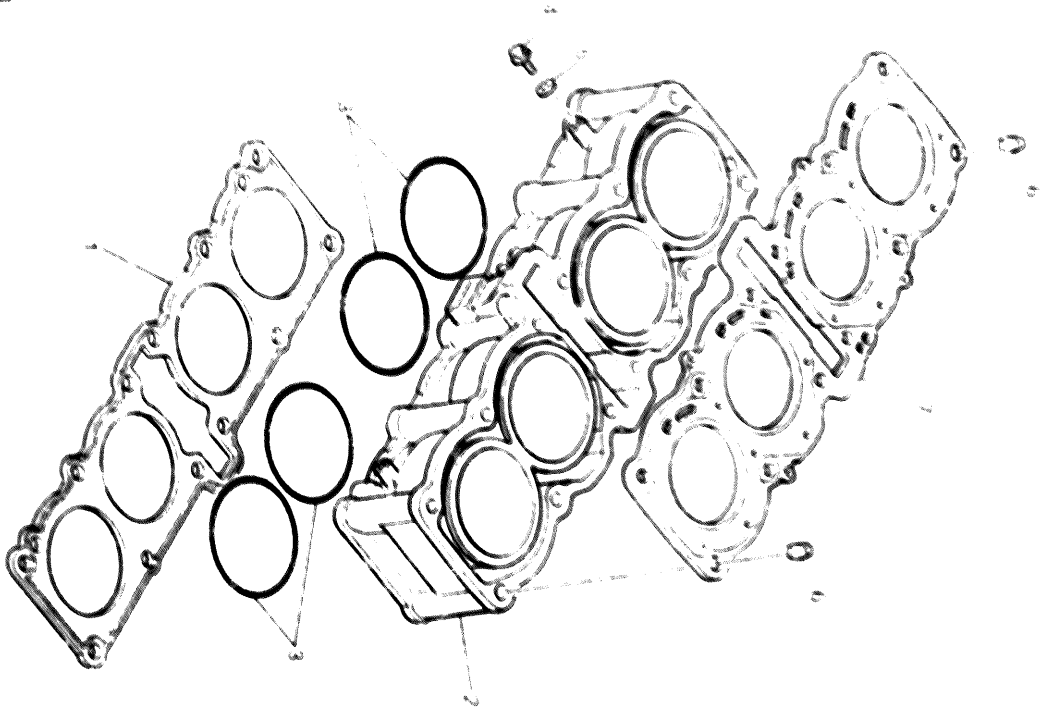


REF. NO.	PART NO.	DESCRIPTION	Q'TY	REMARKS
1	4FM-11102-10	CYLINDER HEAD ASSY	1	
2	3GM-11133-10	.GUIDE, INTAKE VALVE	12	
3	3GM-11134-10	.GUIDE, EXHAUST VALVE	8	
4	93440-10153	.CIRCLIP	20	
5	90340-18101	.PLUG, STRAIGHT SCREW	4	
6	96617-08625	BOLT, STUD	8	
7	94701-00318	PLUG, SPARK (NGK R CRG1)	4	UR
	94701-00319	PLUG, SPARK (IND UZ7E SR-N)	4	UR
8	90201-103M4	WASHER, PLATE	12	
9	90174-10075	NUT, CROWN	4	
10	901-10494	NUT	8	
11	91810-25008	PIN, DOWEL	2	
12	3FV-11182-00	GASKET, CYLINDER HEAD 2	1	
13	4FM-1115A-00	CAM CASE ASSY	1	
14	99510-08016	.PIN, DOWEL	16	
15	90105-061E3	.BOLT, WASHER BASED	16	
16	95027-08012	BOLT, FLANGE	1	
17	90430-06014	GASKET	1	
18	90105-06541	BOLT, WASHER BASED	20	
19	90105-06693	BOLT, WASHER BASED	4	
20	95027-08025	BOLT, FLANGE	11	
21	3GM-11191-00	COVER, CYLINDER HEAD 1	1	
22	3GM-11193-00	GASKET, HEAD COVER 1	1	
23	90109-064F0	BOLT	8	
24	90209-11262	WASHER	8	
25	2GM-1111G-00	RUBBER, MOUNT 1	8	

44-0300 3010

B2

FIG. 2 CYLINDER



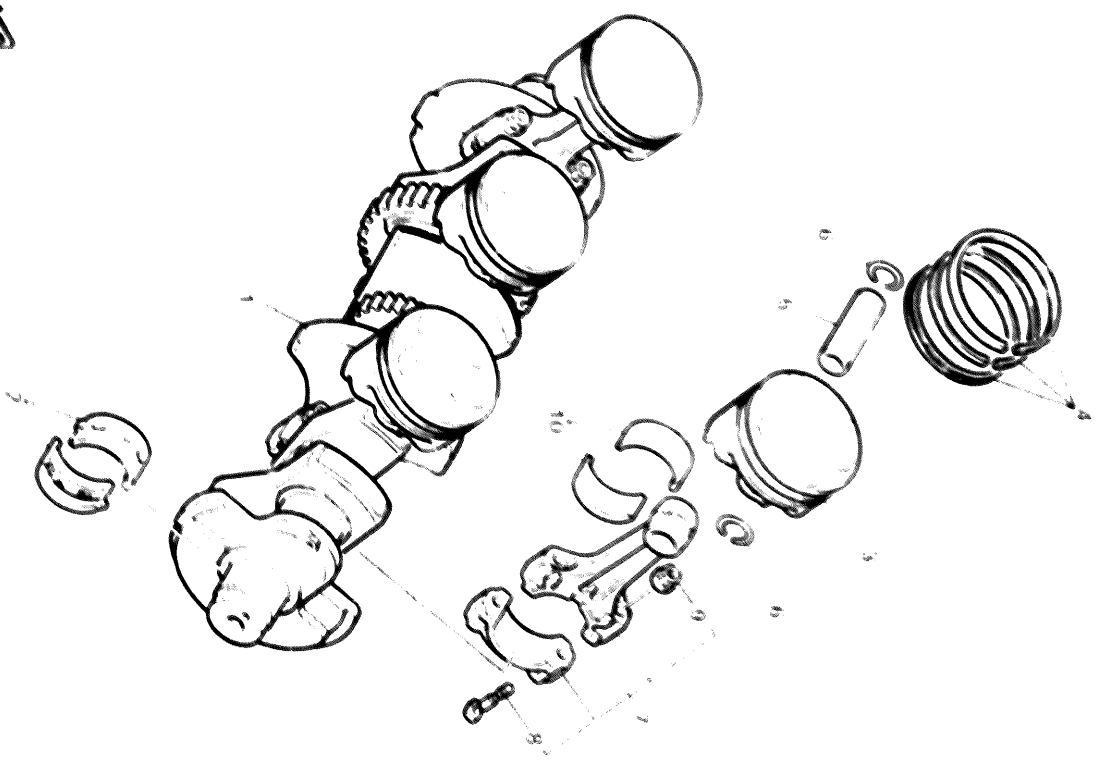
REF. NO.	PART NO.	DESCRIPTION	Q'TY	REMARKS
1	3FV 11361 00	GASKET, CYLINDER	1	
2	4FM 11310 00	CYLINDER	1	
3	93210 76211	O RING	4	
4	95027 06012	BOLT, FLANGE	2	
5	90430 06014	GASKET	2	
6	99510 14016	PIN, DOWEL	2	
7	3FV 111P1 00	GASKET, CYLINDER HEAD 1	1	

4M0300 30210

B3

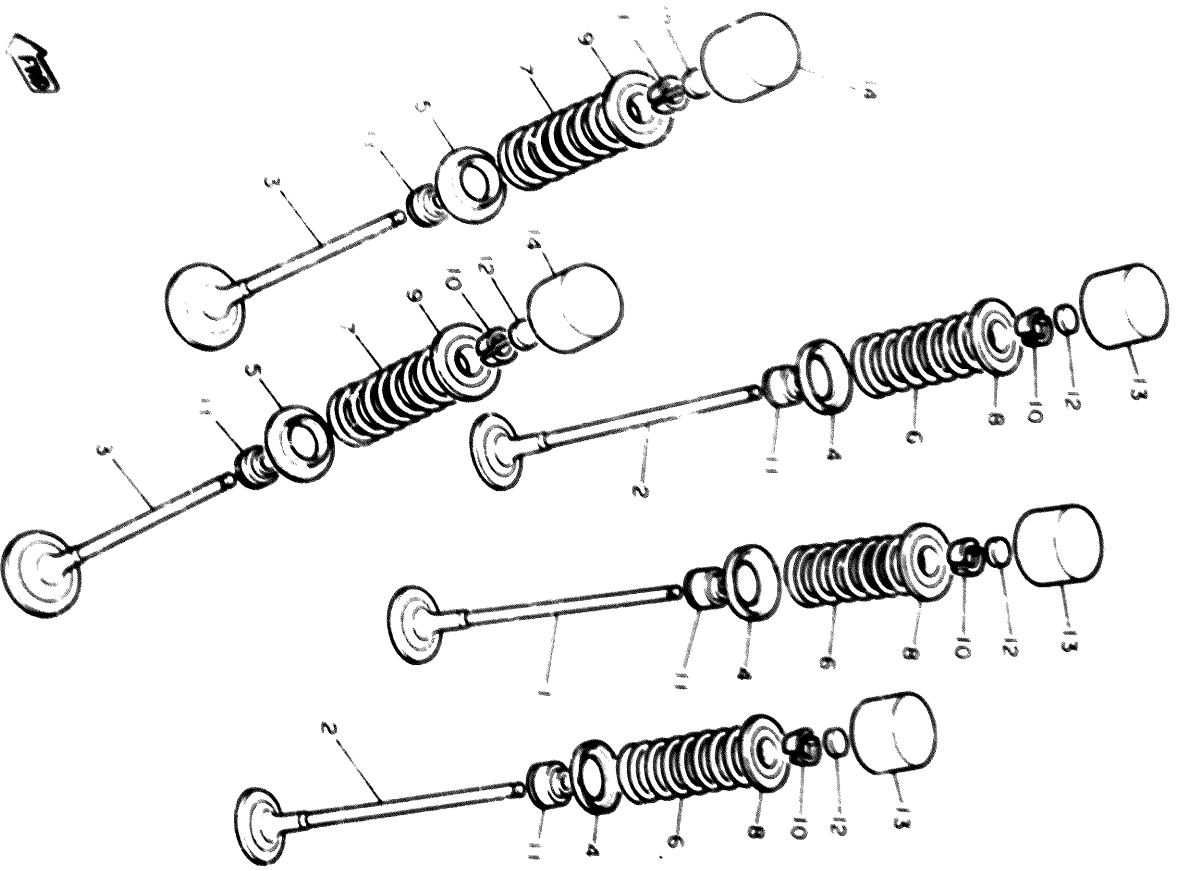
FIG. 3 CRANKSHAFT • PISTON

REF. NO.	PART NO.	DESCRIPTION	QTY	REMARKS
1	4FM-11411-30	CRANKSHAFT	1	
2	3GM-11416-00	PLANE BEARING, CRANKSHAFT 1	10	UR BLUE
	3GM-11416-10	PLANE BEARING, CRANKSHAFT 1	10	UR BLACK
	3GM-11416-20	PLANE BEARING, CRANKSHAFT 1	10	UR BROWN
	3GM-11416-30	PLANE BEARING, CRANKSHAFT 1	10	UR GREEN
	3GM-11416-40	PLANE BEARING, CRANKSHAFT 1	10	UR YELLOW
3	4FM-11631-00-AN	PISTON (STD)	4	
	4FM-11636-00	PISTON (0.50MM O/S)	4	AP
4	4FM-11603-00	PISTON RING SET (STD)	4	
	4FM-11605-00	PISTON RING SET (STD)	4	AP
5	3GM-11633-00	PIN, PISTON	4	
6	93450-19095	CIRCLIP	8	
7	4FM-11650-01	CONNECTING ROD ASSY	4	
8	36Y-11654-00	BOLT, CONNECTING ROD	2	
9	90179-08327	NUT	2	
10	3GM-11656-00	PLANE BEARING, CONNECTING ROD	8	UR BLUE
	3GM-11656-10	PLANE BEARING, CONNECTING ROD	8	UR BLACK
	3GM-11656-20	PLANE BEARING, CONNECTING ROD	8	UR BROWN
	3GM-11656-30	PLANE BEARING, CONNECTING ROD	8	UR GREEN



440300 3030

FIG. 4 VALVE



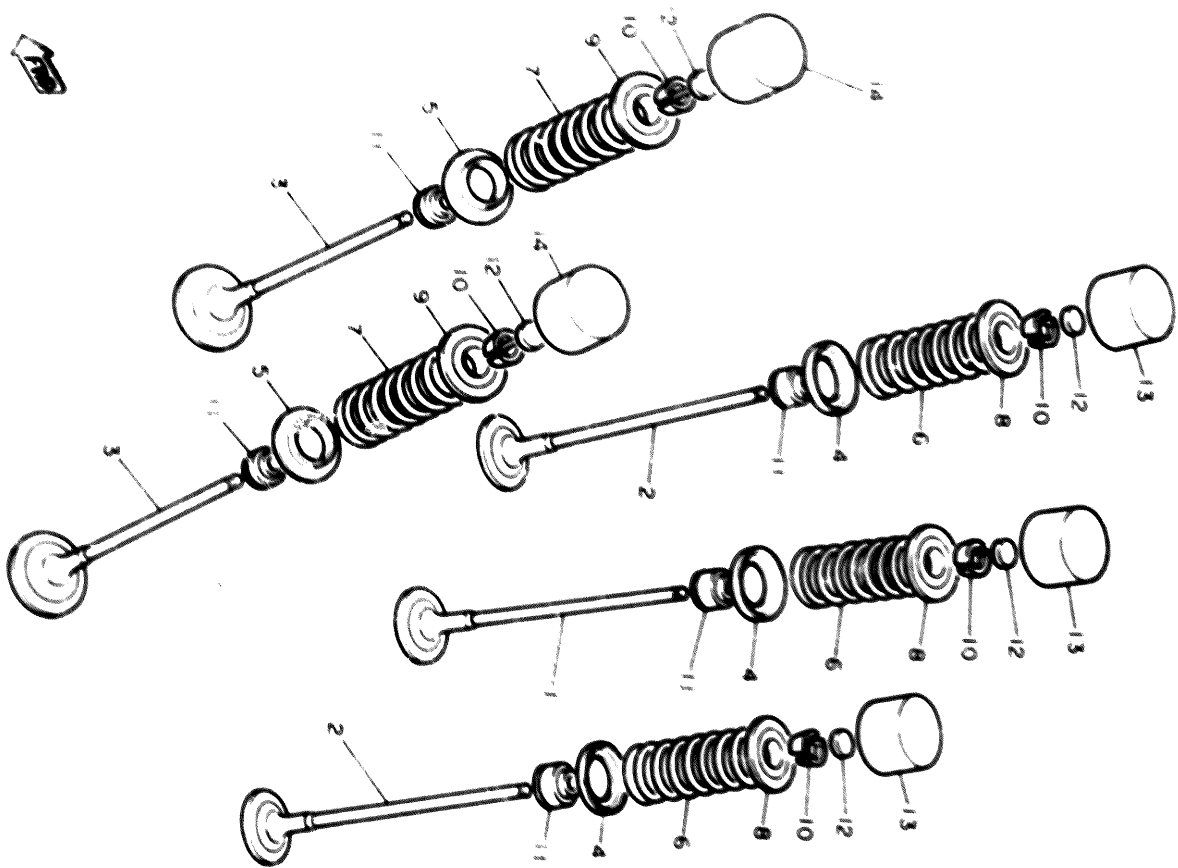
REF. NO.	PART NO.	DESCRIPTION	QTY	REMARKS
1	4FM-12111-00	VALVE, INTAKE	4	
2	4FM-12112-00	VALVE, INTAKE 2	8	
3	4FM-12121-00	VALVE, EXHAUST	8	
4	4FM-12116-00	SEAT, VALVE SPRING	12	
5	3GM-12126-00	SEAT, VALVE SPRING 2	8	
6	3FV-12113-00	SPRING, VALVE INNTR	12	
7	3FV-12114-00	SPRING, VALVE OUTER	8	
8	3GM-12117-00	RETAINER, VALVE SPRING	12	
9	1WG-12117-00	RETAINER, VALVE SPRING	8	
10	1WG-12118-00	COTTER, VALVE	40	
11	1WG-12119-00	SEAL, VALVE STEM	20	
12	1HX-12168-00	PAD, ADJUSTING 2 (1.20)	20	UR
	1HX-12168-20	PAD, ADJUSTING 2 (1.25)	20	UR
	1HX-12168-40	PAD, ADJUSTING 2 (1.30)	20	UR
	1HX-12168-60	PAD, ADJUSTING 2 (1.35)	20	UR
	1HX-12168-80	PAD, ADJUSTING 2 (1.40)	20	UR
	1HX-12168-A0	PAD, ADJUSTING 2 (1.45)	20	UR
	1HX-12168-F0	PAD, ADJUSTING 2 (1.50)	20	UR
	1HX-12168-H1	PAD, ADJUSTING 2 (1.55)	20	UR
	1HX-12168-K1	PAD, ADJUSTING 2 (1.60)	20	UR
	1HX-12168-M1	PAD, ADJUSTING 2 (1.65)	20	UR
	1HX-12168-R1	PAD, ADJUSTING 2 (1.70)	20	UR
	1HX-12168-U1	PAD, ADJUSTING 2 (1.75)	20	UR
	1HX-12168-W1	PAD, ADJUSTING 2 (1.80)	20	UR
	1HX-12168-Y1	PAD, ADJUSTING 2 (1.85)	20	UR
	1HX-12169-11	PAD, ADJUSTING 2 (1.90)	20	UR
	1HX-12169-31	PAD, ADJUSTING 2 (1.95)	20	UR
	1HX-12169-50	PAD, ADJUSTING 2 (2.00)	20	UR

B5

316312 90441



FIG. 4 VALVE



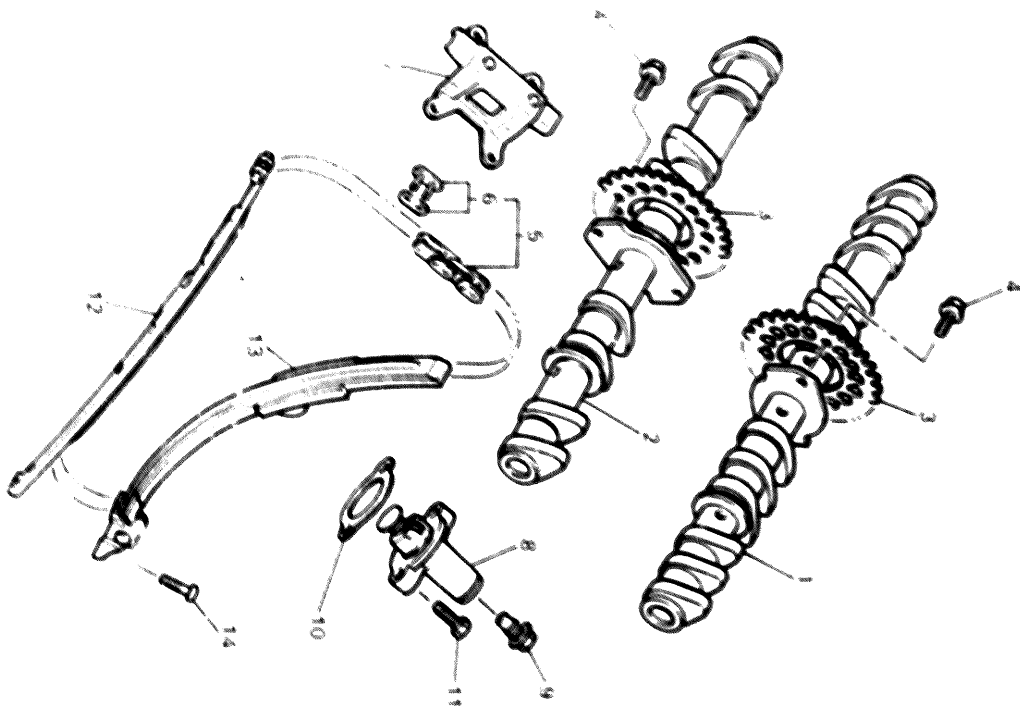
REF. NO.	PART NO.	DESCRIPTION	QTY	REMARKS
12	1HX-12169-70	PAD, ADJUSTING 2 (2.05)	20	UR
	1HX-12169-90	PAD, ADJUSTING 2 (2.10)	20	UR
	1HX-12169-E0	PAD, ADJUSTING 2 (2.15)	20	UR
	1HX-12169-G0	PAD, ADJUSTING 2 (2.20)	20	UR
	1HX-12169-J0	PAD, ADJUSTING 2 (2.25)	20	UR
	1HX-12169-L0	PAD, ADJUSTING 2 (2.30)	20	UR
	1HX-12169-N0	PAD, ADJUSTING 2 (2.35)	20	UR
	1HX-12169-T0	PAD, ADJUSTING 2 (2.40)	20	UR
13	3LN-12153-20	LIFTER, VALVE	12	UR BLUE
	3LN-12153-30	LIFTER, VALVE	12	UR RED
	3LN-12153-09	LIFTER, VALVE (O/S)	12	UR GREEN
14	3FV-12153-10	LIFTER, VALVE	8	UR YELLOW
	3FV-12153-09	LIFTER, VALVE (O/S)	8	UR GREEN

111312 9040



B6

FIG. 5 CAMSHAFT • CHAIN

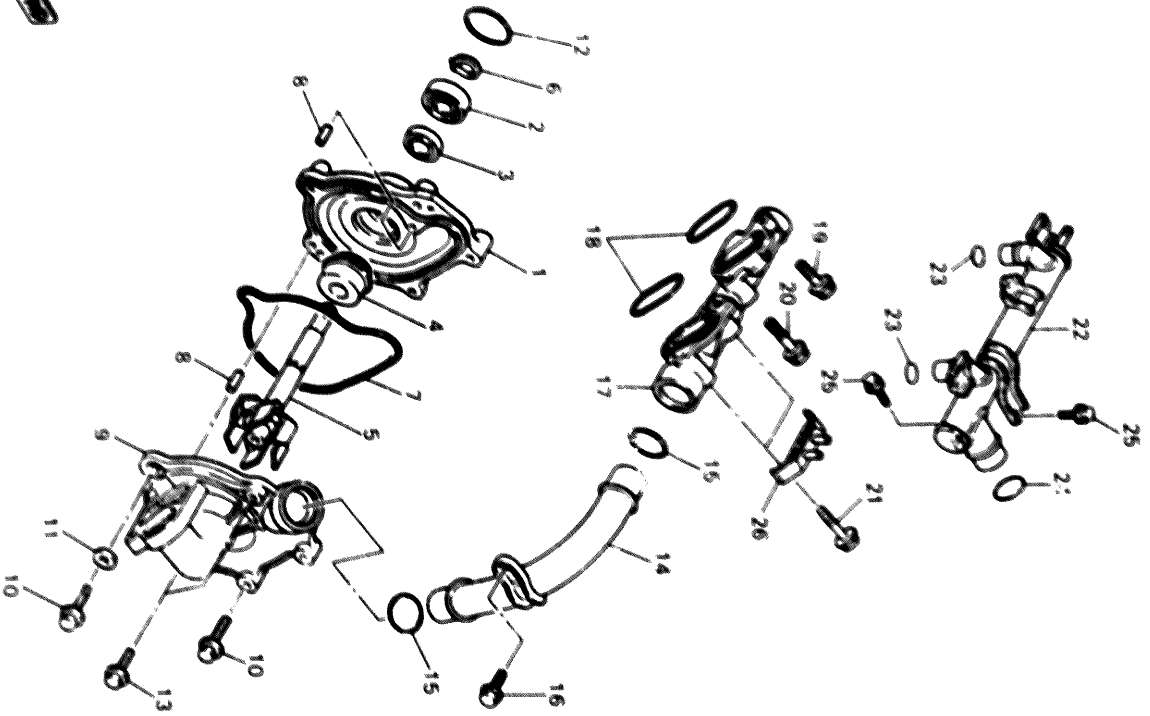


REF. NO.	PART NO.	DESCRIPTION	QTY	REMARKS
1	4HD-12171-00	CAMSHAFT 1	1	
2	4HD-12181-00	CAMSHAFT 2	1	
3	3GM-12176-00	SPOCKET, CAM CHAIN	2	
4	90106-07342	BOLT, WASHER BASED	4	
5	94580-81104	CHAIN (10219FTS, 104L)	1	
6	94280-41021	JOINT, CHAIN	1	
7	2GH-12241-00	GUIDE, STOPPER 2	1	
8	4FM-12216-00	TENSIONER ASSY, CAM CHAIN	1	
9	90109-112F1	BOLT	1	
10	4FM-12213-00	GASKET, TENSIONER CASE	1	
11	91317-06026	BOLT	2	
12	3FV-12261-00	DAMPER, CHAIN 1	1	
13	4FM-12262-00	DAMPER, CHAIN 2	1	
14	90109-066A1	BOLT	2	

4-0300 3050



FIG. 6 WATER PUMP



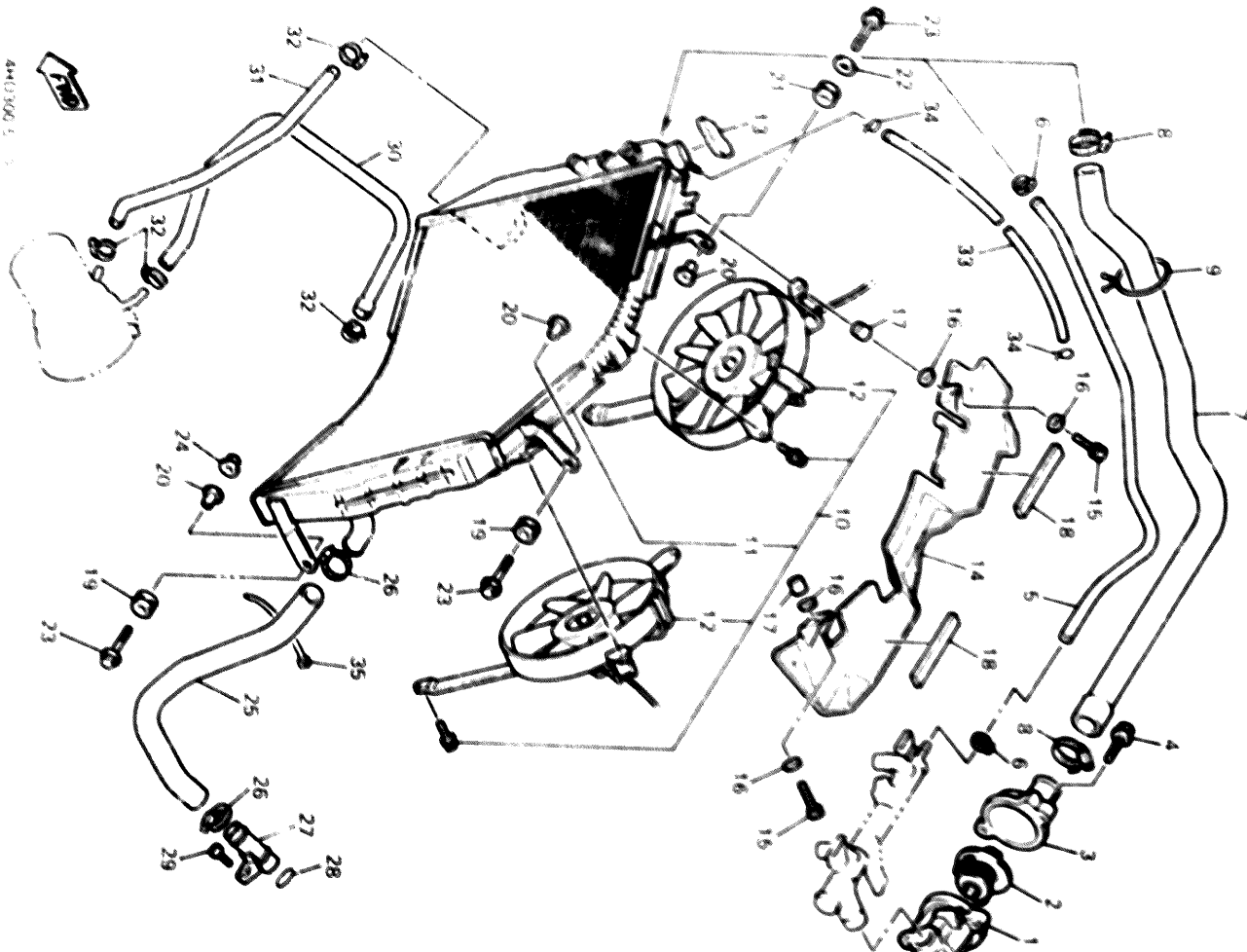
REF. NO.	PART NO.	DESCRIPTION	QTY	REMARKS
1	1UF-12421-00	HOUSING, WATER PUMP	1	
2	93308-00106	BEARING	1	
3	93101-12080	OIL SEAL	1	
4	11H-12438-00	SEAL, MECHANICAL	1	
5	1UF-12480-00	IMPELLER SHAFT ASSY	1	
6	99009-12400	CIRCLIP	1	
7	1AE-12439-00	O RING	1	
8	93604-10011	PIN, DOWEL	2	
9	3GM-12422-00	COVER, HOUSING	1	
10	96027-06026	BOLT, FLANGE	3	
11	90430-06014	GASKET	1	
12	93210-33133	O RING	1	
13	96027-06050	BOLT, FLANGE	2	
14	1AE-12481-01	PIPE 1	1	
15	93210-23787	O RING	2	
16	96027-06012	BOLT, FLANGE	1	
17	3FV-12469-00	JOINT 1	1	
18	93210-30894	O RING	2	
19	96027-00070	BOLT, FLANGE	1	
20	96027-06030	BOLT, FLANGE	1	
21	96027-06040	BOLT, FLANGE	2	
22	4FN-12482-00	PIPE 2	1	
23	93210-18417	O RING	2	
24	93210-23787	O RING	1	
25	96027-06010	BOLT	2	
26	ZGH-14413-00	STAY	1	

4H5-300 506/0



B8

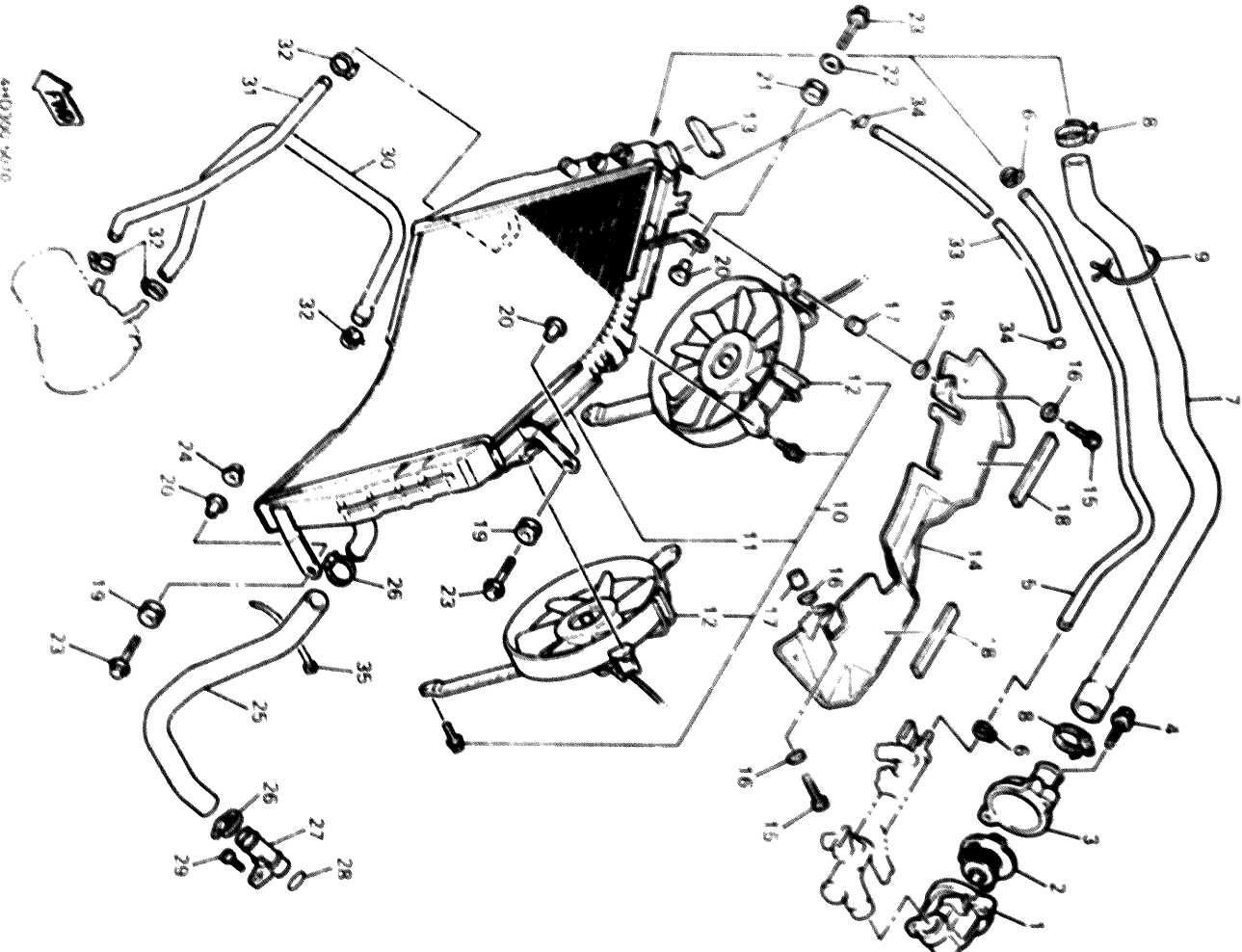
FIG. 7 RADIATOR • HOSE



REF. NO.	PART NO.	DESCRIPTION	QTY	REMARKS
1	3GM-12417-00	HOUSING, THERMOSTAT	1	
2	4FM-12410-00	THERMOSTAT ASSY	1	
3	3CM-12413-00	COVER, THERMOSTAT	1	
4	95027-06025	BOLT, FLANGE	2	
5	4FM-1243A-10	HOSE 1	1	
6	90467-11090	CLIP	2	
7	4FM-12576-10	HOSE 1	1	
8	90450-38040	HOSE CLAMP ASSY	2	
9	90464-44109	CLAMP	1	
10	4FM-1240A-10	RADIATOR ASSY	1	
11	4FM-12461-10	RADIATOR	1	
12	4FM-12405-10	BLOWER ASSY	2	
13	2ZW-12462-00	CAP, RADIATOR	1	
14	4HD-12535-00	PLATE	1	
15	97007-06025	BOLT	2	
16	90201-06055	WASHER	4	
17	90367-06473	COLLAR	2	
18	2TV-21638-00	DAMPER	2	
19	90460-15363	GROMMET	3	
20	90367-07391	COLLAR	4	
21	90460-10542	GROMMET	1	
22	90201-063J2	WASHER, PLATE	1	
23	95627-06025	BOLT, FLANGE	4	
24	95707-06500	NUT, FLANGE	2	
25	4FM-12576-10	HOSE 4	1	
26	90456-38040	HOSE CLAMP ASSY	2	
27	2GH-12464-00	PIPE 4	1	
28	93210-23787	O-RING	1	

B9

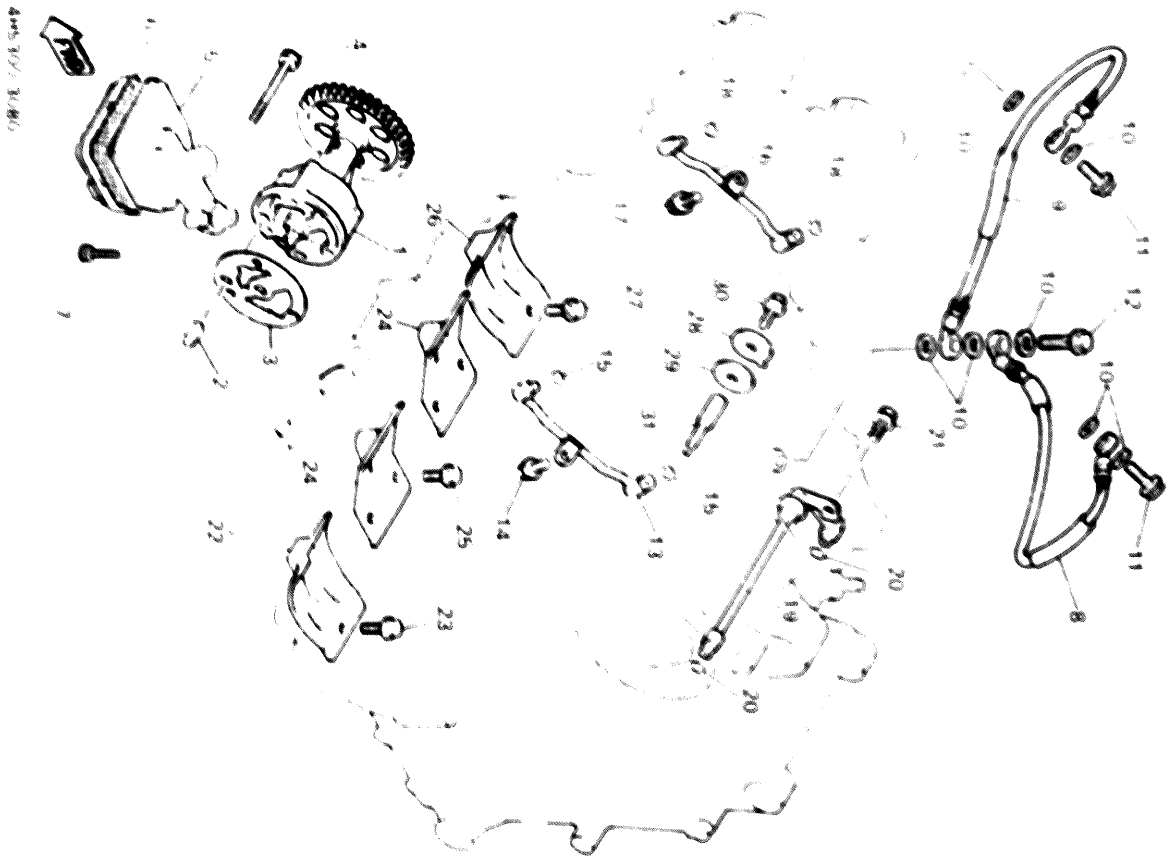
FIG. 7 RADIATOR • HOSE



REF. NO.	PART NO.	DESCRIPTION	QTY	REMARKS
29	9010-06142	BOLT, HEXAGON SOCKET HEAD	1	
30	4FM-12588-01	HOSE 5	1	
31	4FM-12588-10	HOSE 6	1	
32	90450-22052	HOSE CLAMP ASSY	4	
33	90445-09635	HOSE	1	
34	90467-08003	CLIP	2	
35	90465-13355	CLAMP	1	

B10

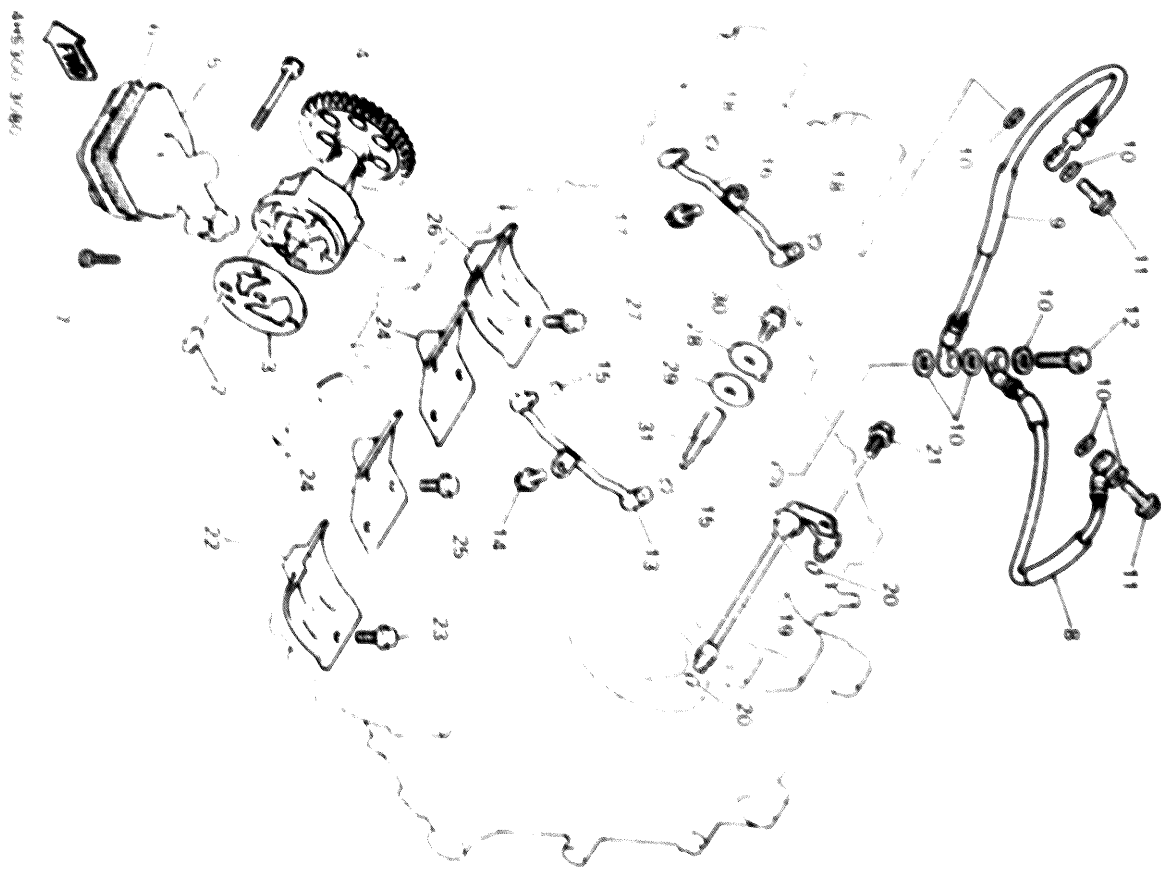
FIG. 8 OIL PUMP



REF. NO.	PART NO.	DESCRIPTION	QTY	REMARKS
1	1AE-13300-00	OIL PUMP ASSY	1	
2	99510-09012	PIN, DOWEL	1	
3	ZGH-13329-00	GASKET, PUMP COVER	1	
4	91317-09090	BOLT	3	
5	3GM-13412-50	HOUSING, STRAINER	1	
6	4FM-13411-00	STRAINER, OIL	1	
7	91317-09030	BOLT, HEXAGON SOCKET HEAD	2	
8	4BH-1316F-01	HOSE, OIL 1	1	
9	4BH-1316G-01	HOSE, OIL 2	1	
10	90403-10171	GASKET	7	
11	90401-10159	BOLT, UNION	2	
12	90401-10044	BOLT, UNION	1	
13	3GM-13181-00	PIPE, DELIVERY 3	1	
14	95027-09012	BOLT, FLANGE	1	
15	93210-08632	O-RING	2	
16	3GM-13191-00	PIPE, DELIVERY 4	1	
17	95027-09012	BOLT, FLANGE	1	
18	93210-09632	O-RING	2	
19	1AE-1316E-00	PIPE, DELIVERY 5	1	
20	93210-0717E	O-RING	2	
21	95027-09012	BOLT, FLANGE	1	
22	ZGH-15123-00	PLATE, BUFFLE 1	1	
23	95027-09012	BOLT, FLANGE	2	
24	1AE-15124-00	PLATE, BUFFLE 2	2	
25	95027-09012	BOLT, FLANGE	6	
26	ZGH-15133-00	PLATE, BUFFLE 3	1	
27	95027-09012	BOLT, FLANGE	2	
28	90201-091M7	WASHER, PLATE	1	

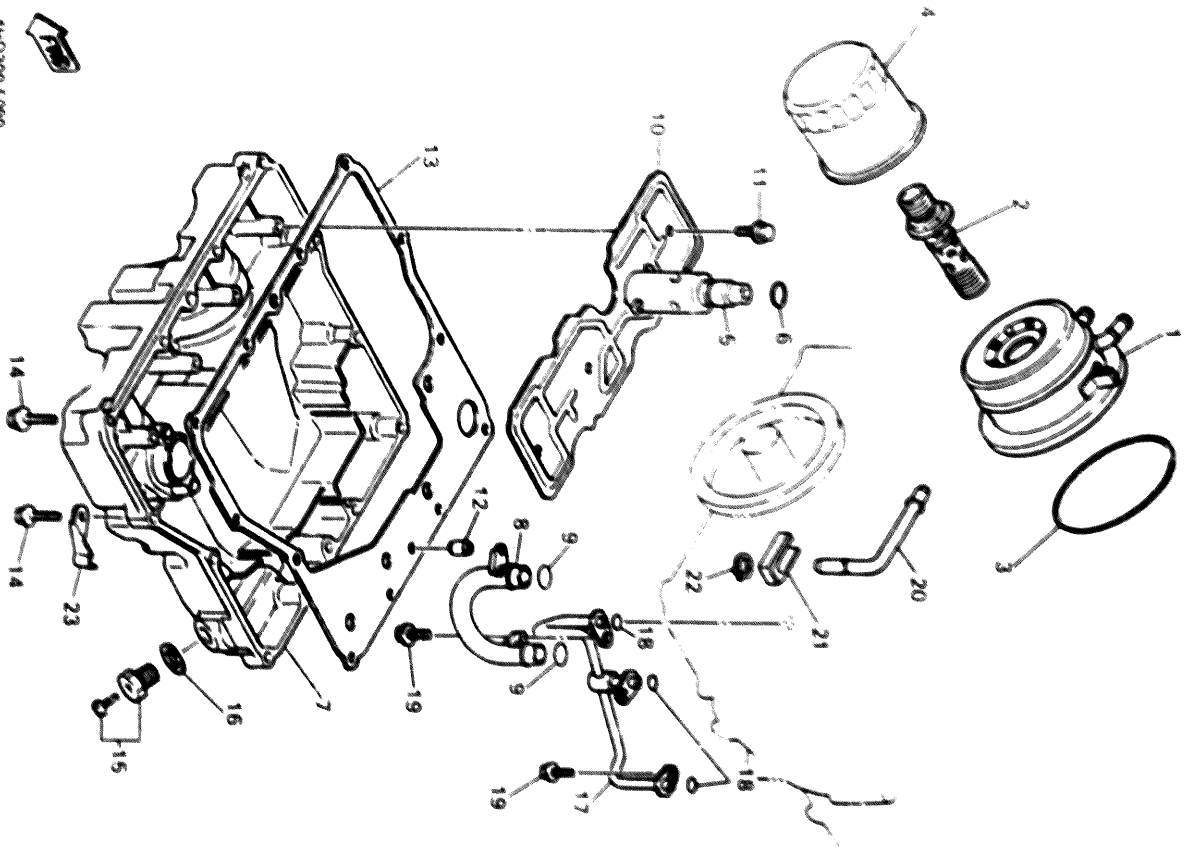
B11

FIG. 8 OIL PUMP



REF. NO.	PART NO.	DESCRIPTION	QTY	REMARKS
29	4FM-13475-00	GASKET	1	
30	95827-08016	BOLT, FLANGE	1	
31	3GM 13454-00	NOZZLE	1	

FIG. 9 OIL CLEANER

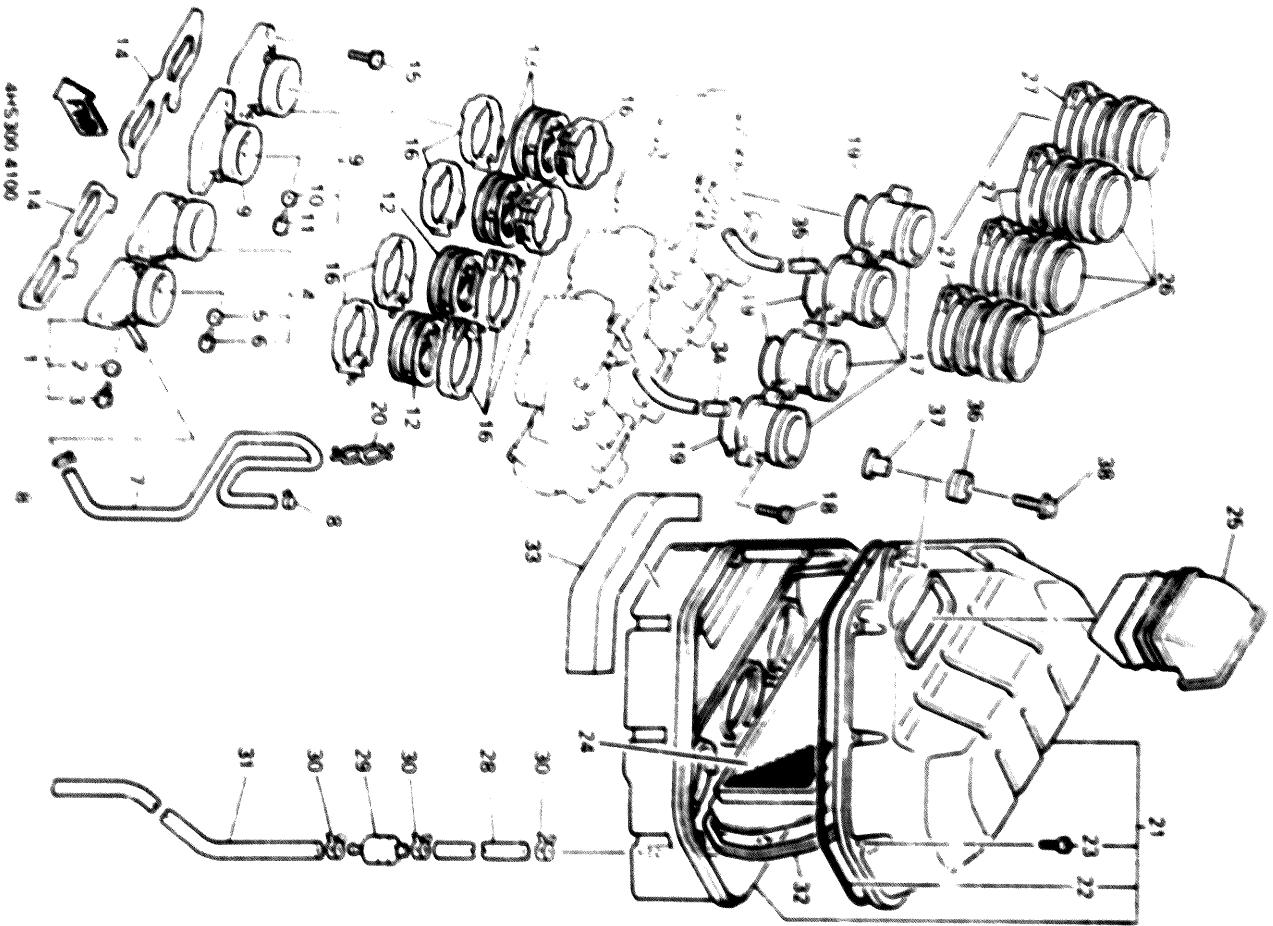


REF. NO.	PART NO.	DESCRIPTION	Q-TY	REMARKS
1	4FM-13470-10	OIL COOLER ASSY	1	
2	90401-20161	BOLT, UNION	1	
3	93210-87723	O-RING	1	
4	3FV-13440-00	ELEMENT ASSY, OIL CLEANER	1	
5	3KS-13490-00	RELIEF VALVE ASSY	1	
6	93210-18566	O-RING	1	
7	4FM-13417-00	COVER, STRAINER	1	
8	3FV-13416-01	PIPE, OIL 1	1	
9	93210-14579	O-RING	2	
10	3GM-13337-00	PLATE, BAFFLE LOWER	1	
11	95027-08010	BOLT, FLANGE	4	
12	99510-08016	PIN, DOWEL	2	
13	4FM-13414-00	GASKET, STRAINER COVER	1	
14	95027-06030	BOLT, FLANGE	12	
15	3VD-13455-00	PLUG	1	
16	214-11198-01	GASKET	1	
17	3GM-13161-01	PIPE, DELIVERY 1	1	
18	93210-06714	O-RING	3	
19	95027-06012	BOLT, FLANGE	3	
20	3GM-15373-00	PIPE, BREATHER	1	
21	3GM-13174-00	HOLDER, OIL PIPE	1	
22	99009-10400	CIRCLIP	1	
23	90465-08076	CLAMP	1	

440300 4090

B13

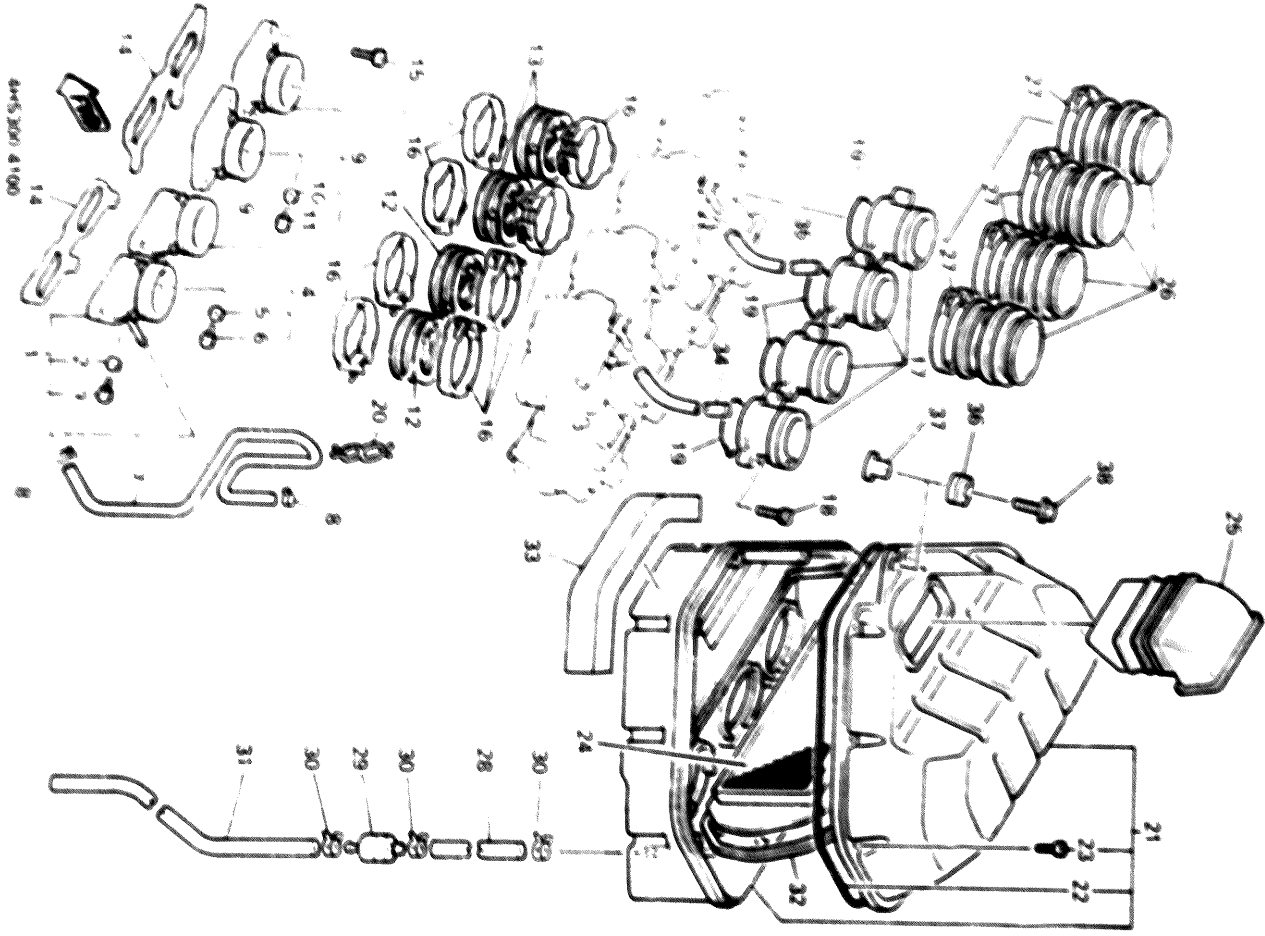
FIG. 10 INTAKE



REF. NO.	PART NO.	DESCRIPTION	QTY	REMARKS
1	AFN 13586-00	JOINT, CARBURETOR 1	1	
2	90430-06014	GASKET	1	
3	91317-06012	BOLT	1	
4	AFM 13586-00	JOINT, CARBURETOR 1	1	
5	90430-06014	GASKET	1	
6	91317-06012	BOLT	1	
7	3FV 2416A-00	HOSE	1	
8	90467-06092	CLIP	2	
9	AFM 13586-00	JOINT, CARBURETOR 2	2	
10	90430-06014	GASKET	1	
11	91317-06012	BOLT	1	
12	AFN 13587-00	JOINT, CARBURETOR 3	2	
13	AFN 13588-00	JOINT, CARBURETOR 4	2	
14	AFM 13556-01	GASKET, MANIFOLD	2	
15	91317-06020	BOLT	8	
16	90450-57034	HOSE CLAMP ASSY	8	
17	AFM 1440F-00	JOINT, AIR FILTER 1	4	
18	91317-06012	BOLT	8	
19	AFN 14561-00	O RING	4	
20	90464-17184	CLAMP	1	
21	AFM 14401-00	AIR CLEANER CASE ASSY	1	
22	AFM 14452-00	SEAL	1	
23	97707-50525	SCREW, TAPPING	8	
24	AFM 14451-00	ELEMENT, AIR CLEANER	1	
25	AFN 14437-00	DUCT	1	
26	AFN 14453-00	JOINT, AIR CLEANER 1	4	
27	90460-65195	CLAMP, HOSE	4	
28	1HX 1443E-00	PIPE, DRAIN	1	

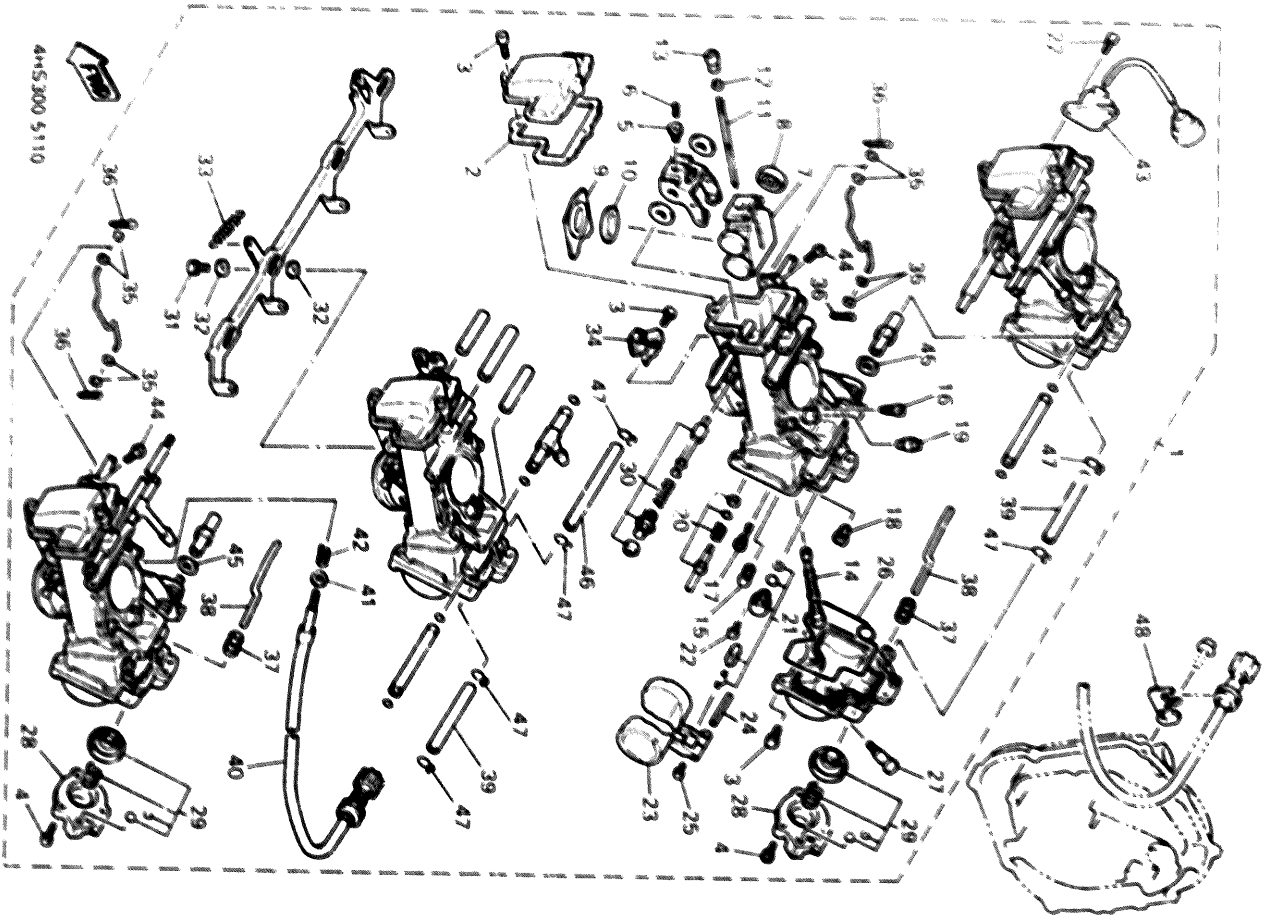
B14

FIG. 10 INTAKE



REF. NO.	PART NO.	DESCRIPTION	Q-TY	REMARKS
29	4X7-2149V-00	FILTER ASSY	1	
30	90467-11106	CLIP	3	
31	90445-11646	HOSE	1	
32	4FM-14467-00	SEAL	1	
33	4FN-14467-00	SEAL	1	
34	90445-11293	HOSE	1	
35	90445-11646	HOSE	1	
36	90480-12314	GROMMET	1	
37	90387-06536	COLLAR	1	
38	94907-00020	BOLT, FLANGE	1	

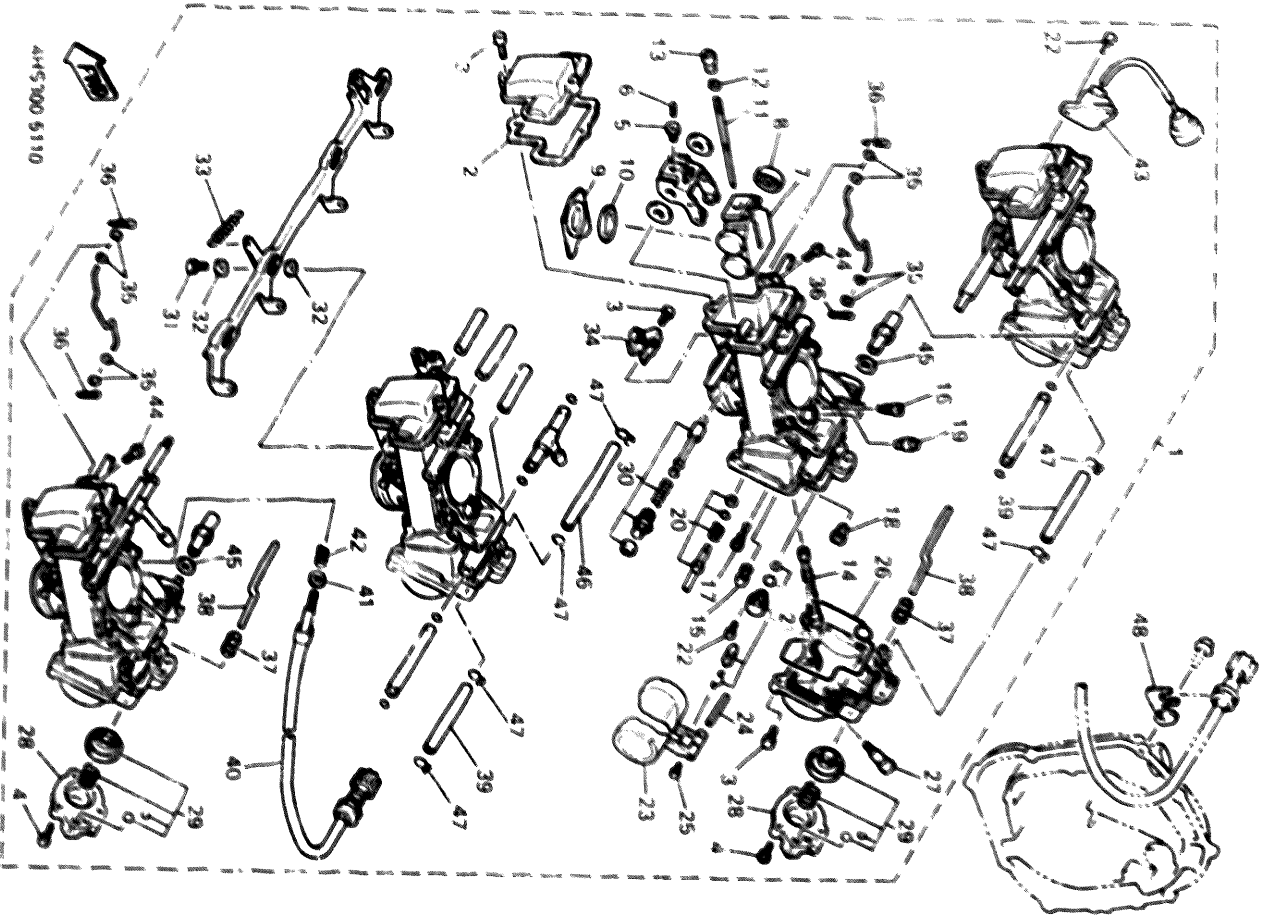
FIG. 11 CARBURETOR



REF. NO.	PART NO.	DESCRIPTION	QTY	REMARKS
1	445 14900 10	CARBURETOR ASSY	1	
2	4FN 14959 00	GASKET	4	
3	91316 04010	BOLT	20	
4	91316 04008	BOLT	6	
5	3TJ 14393 40	NUT, CROWN	4	
6	3TJ 14522 40	SCREW, ADJUST	4	
7	4FN 14340 00	VALVE ASSY	4	
8	3TJ 14267 40	ROLLER	4	
9	4FN 14546 00	VALVE, NEEDLE	4	
10	4FN 14997 00	SEAL	4	
11	445 14916 00	NEEDLE	4	
12	3TJ 14159 40	CLIP	4	
13	3TJ 14521 40	SCREW, ADJUST	4	
14	4FN 14947 00	JET, NEEDLE	4	
15	3TJ 14943 37	JET, MAIN (#125)	4	
16	3TJ 14943 15	JET, MAIN (#70)	4	
17	3TJ 14948 03	JET (#40)	4	
18	3TJ 1494F 11	JET	4	
19	7A9 14943 31	JET, MAIN (#120)	4	
20	4FN 14105 00	PILOT SCREW SET	4	
21	4FN 14107 00	NEEDLE VALVE SET	4	
22	3TJ 14216 40	SCREW	6	
23	4FN 14995 00	FLOAT	4	
24	663 14548 00	PIN, FLOAT ARM	4	
25	98580 04008	SCREW, PAN HEAD	4	
26	3TJ 14904 40	GASKET, FLOAT CHAMBER	4	
27	3TJ 14191 40	PLUG, DRAIN	4	
28	3TJ 14293 40	COVER	1	

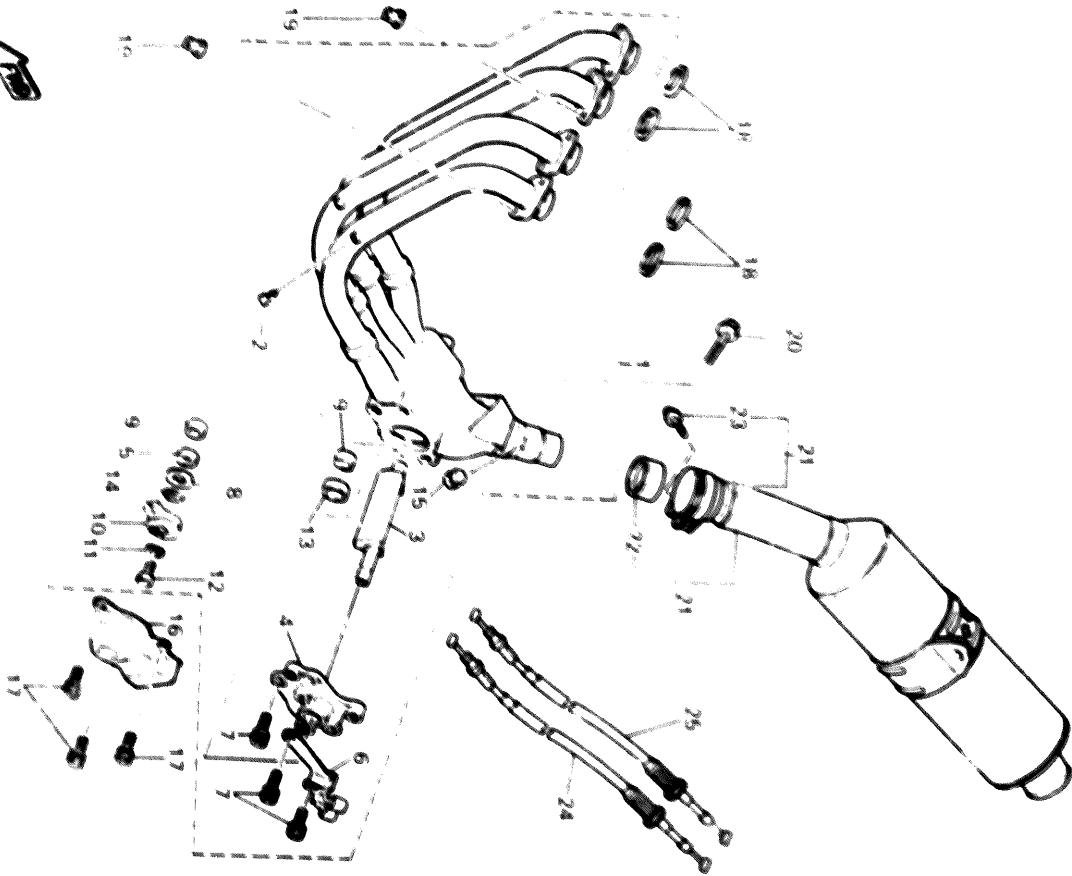
C2

FIG. 11 CARBURETOR



REF. NO.	PART NO.	DESCRIPTION	QTY	REMARKS
29	3TJ-1490A-40	.DIAPHRAGM SET, 1	2	
30	3TJ-1410A-40	.STARTER SET	4	
31	3TJ-14245-40	.SCREW, GUIDE	3	
32	90202-09056	.WASHER, PLATE	6	
33	3TJ-14935-40	.SPRING	1	
34	4FN-14261-00	.HOLDER	1	
35	90202-03062	.WASHER, PLATE	8	
36	3TJ-14265-40	.PIN, CLEVIS	4	
37	3TJ-14968-40	.CAP	2	
38	3TJ-14379-40	.ROD, STARTER	2	
39	4FN-14294-00	.HOSE	2	
40	4HS-14922-00	.SCREW, THROTTLE	1	
41	90201-09410	.WASHER, PLATE	1	
42	4FN-14934-00	.SPRING, THROTTLE STOP	1	
43	4FN-85885-00	.THROTTLE SENSOR ASSY	1	
44	3TJ-14325-40	.SCREW, PAN HEAD	2	
45	90201-08333	.WASHER, PLATE	2	
46	4FN-14298-00	.PIPE	1	
47	3TJ-14137-40	.CLIP	6	
48	4FN-14411-00	STAY	1	

FIG. 12 EXHAUST

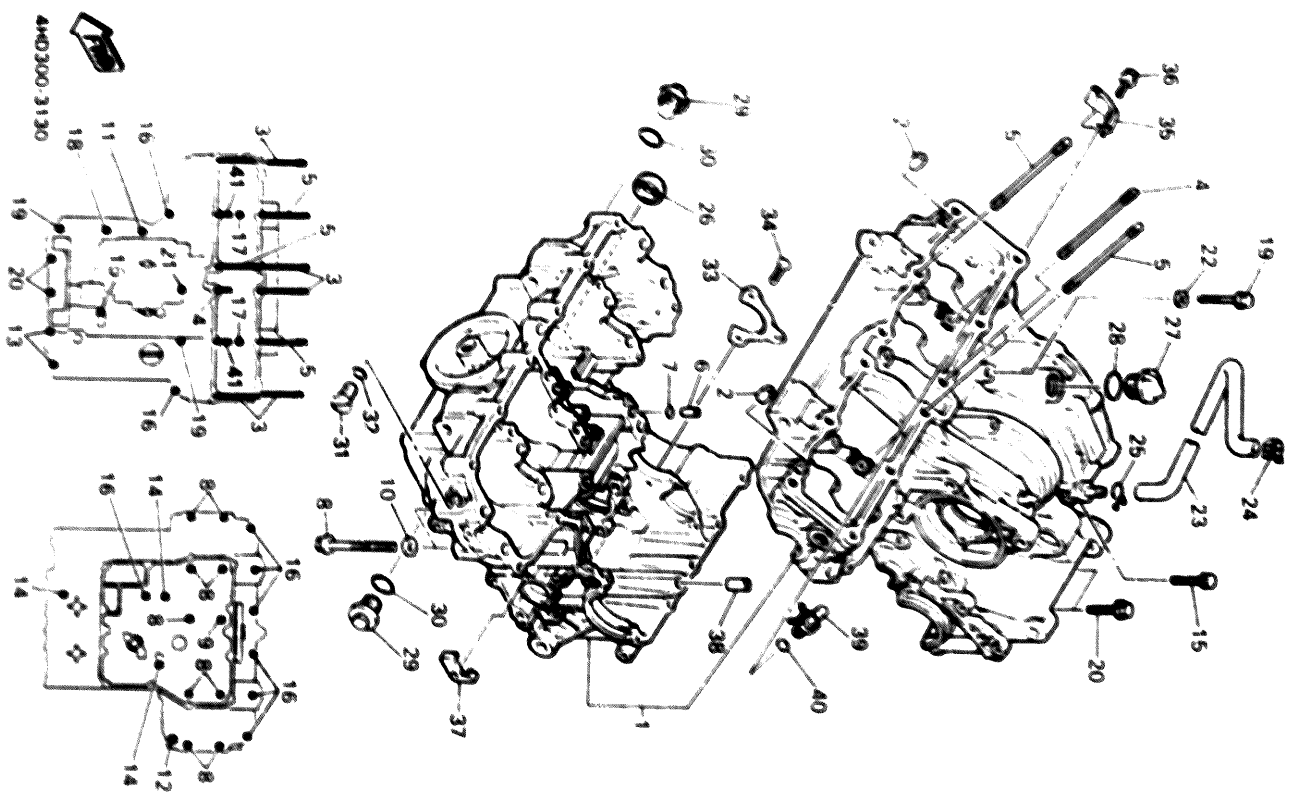


REF. NO.	PART NO.	DESCRIPTION	QTY	REMARKS
1	4FM 14610-10	EXHAUST PIPE ASSY 1	1	
2	90101-08576	.BOLT	4	
3	3GM 14821-00	.ARM, SHAFT (VALVE)	1	
4	3GM 14811-00	.HOUSING	1	
5	2TK 14845-00	.DUST SEAL ASSY	1	
6	2TK 14867-01	.BRACKET	1	
7	90119-06115	.BOLT, WITH WASHER	3	
8	90201-108M5	.WASHER, PLATE	1	
9	90380 10195	.BUSH, SOLID	2	
10	2TK 14865-01	.PULLEY	1	
11	92990-05200	.WASHER, PLAIN	1	
12	97080-05012	.BOLT	1	
13	9C387-108U7	.COLLAR	1	
14	3GM 14883-00	.SPRING, HOOK	1	
15	4FM 24181-00	.DAMPER, LOCATING 1	1	
16	4HD 14826-00	PROTECTOR, EXHAUST	1	
17	90119-06187	BOLT, WITH WASHER	3	
18	4FM 14613-00	GASKET, EXHAUST PIPE	4	
19	90179-08410	NUT	8	
20	95817-08035	BOLL, FLANGE	1	
21	4HD 14710-00	MUFFLER ASSY 1	1	
22	3HE 14755-00	.GASKET, SILENCER	1	
23	95817-08025	.BOLT, FLANGE	1	
24	4FM 1133E-00	CABLE, PULLEY 1	1	
25	4FM 1133F-00	CABLE, PULLEY 2	1	

4HD300 3120

C4

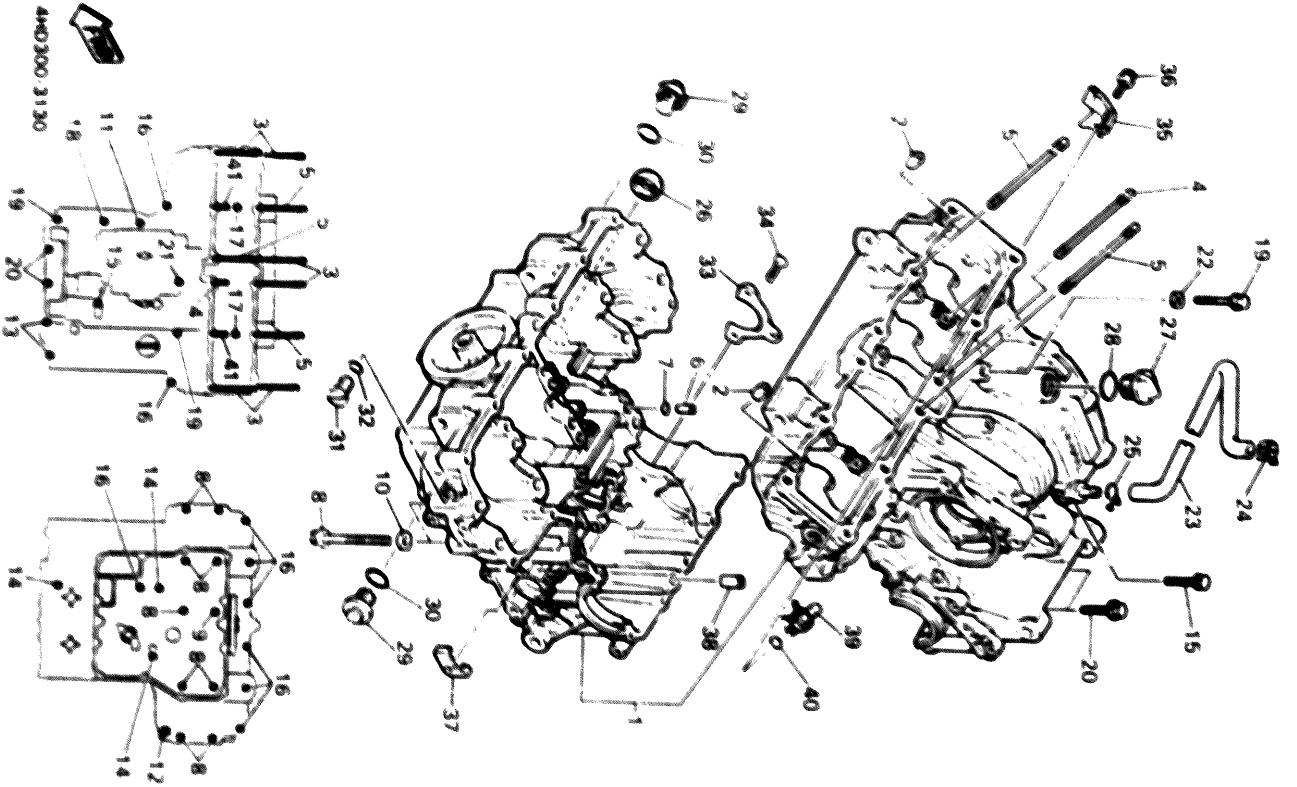
FIG. 13 CRANKCASE



REF. NO.	PART NO.	DESCRIPTION	Q'TY	REMARKS
1	3GM-15100-52	CRANKCASE ASSY	1	
2	99530-10014	PIN, DOWEL	2	
3	90116-10529	BOLT, STUD	6	
4	90116-10528	BOLT, STUD	1	
5	90116-10569	BOLT, STUD	3	
6	90387-05383	COLLAR	1	
7	93210-07135	O-RING	1	
8	90105-08373	BOLT, WASHER BASED	9	
9	90105-09580	BOLT, WASHER BASED	1	
10	90201-09LJ9	WASHER, PLATE	4	
11	95817-06035	BOLT, FLANGE	1	
12	95817-08045	BOLT, FLANGE	1	
13	95817-06050	BOLT, FLANGE	2	
14	95817-06080	BOLT, FLANGE	3	
15	95817-06140	BOLT, FLANGE	1	
16	95817-09045	BOLT, FLANGE	9	
17	95817-09055	BOLT, FLANGE	2	
18	95817-08065	BOLT, FLANGE	1	
19	95817-08090	BOLT, FLANGE	2	
20	95817-08080	BOLT, FLANGE	2	
21	90105-09555	BOLT, WASHER BASED	1	
22	902L-08087	WASHER, PLATE	1	
23	3FV-11166-00	PIPE, BREATHER 1	1	
24	90467-15054	CLIP	1	
25	90467-14015	CLIP	1	
26	9033P-30096	PLUG	1	
27	3FV-15383-00	PLUG, OIL	1	
28	93210-27778	O-RING	1	

C5

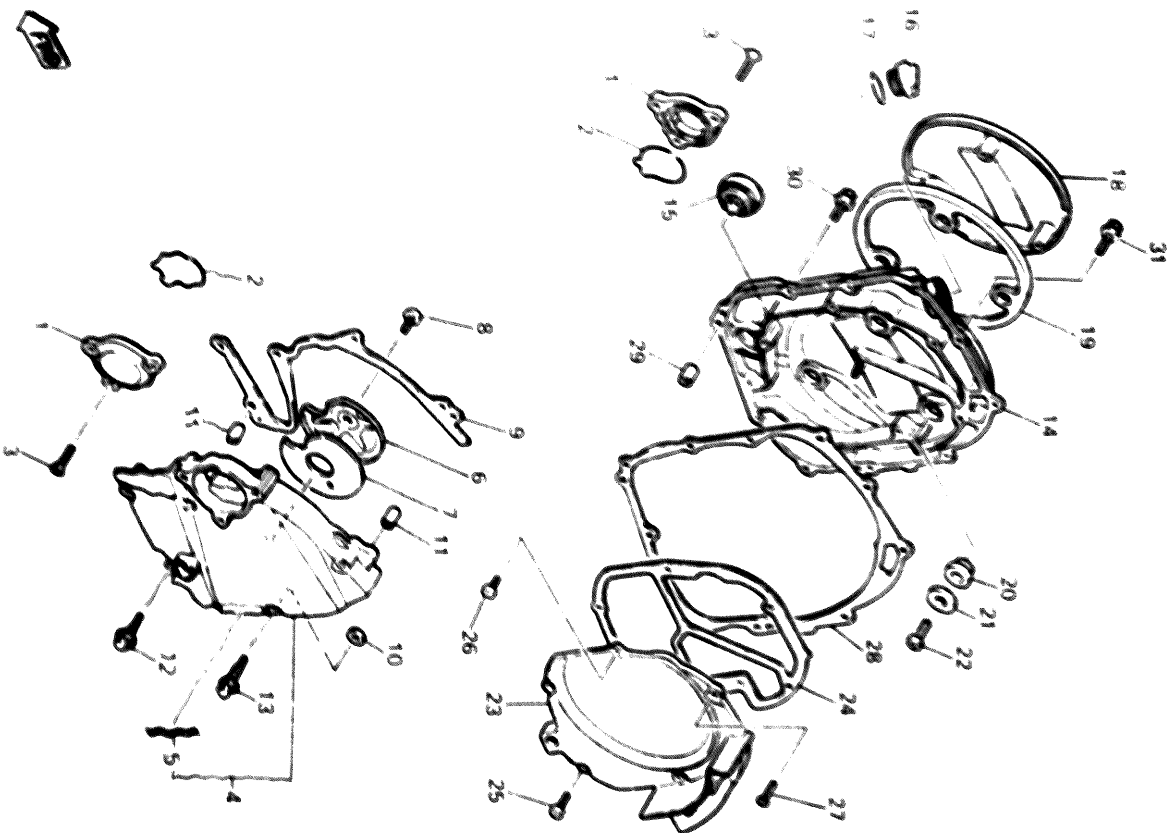
FIG. 13 CRANKCASE



REF. NO.	PART NO.	DESCRIPTION	QTY	REMARKS
29	4H7-15189-00	PLUG	2	
30	93210-20573	O-RING	2	
31	90340-14088	PLUG, STRAIGHT SCREW	1	
32	93210-14369	O RING	1	
33	1AE-15383-00	PLATE, BEARING COVER	1	
34	90151-08014	SCREW, COUNTERSUNK	3	
35	90462-08184	CLAMP	1	
36	95027-06012	BOLT, FLANGE	1	
37	90462-08198	CLAMP	1	
38	99510-12016	PIN, DOWEL	1	
39	3FV-15105-00	NOZZLE ASSY	2	
40	93210-06632	O-RING	2	
41	90116-10568	BOLT, STUD	2	



FIG. 14 CRANKCASE COVER 1



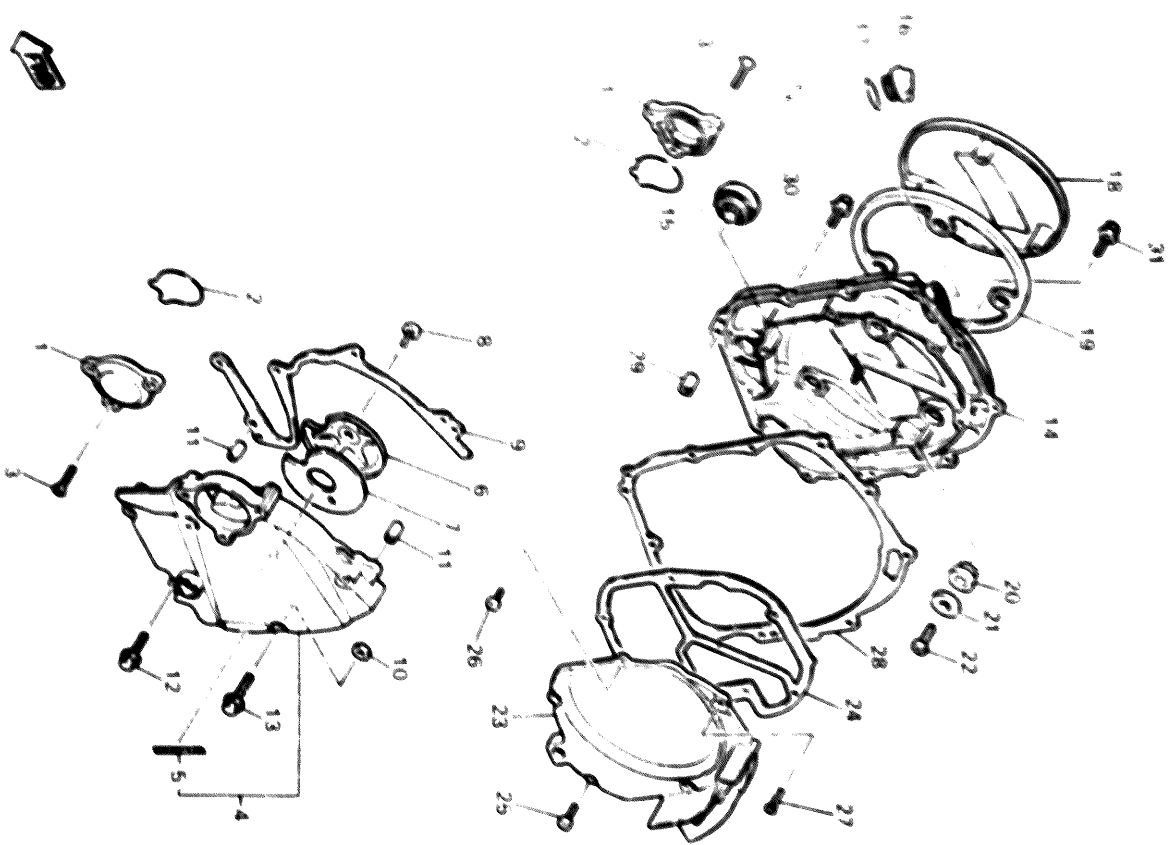
REF. NO.	PART NO.	DESCRIPTION	QTY	REMARKS
1	3GM-15416-00	COVER, OIL PUMP	2	
2	1AE-15486-00	GASKET, OIL PUMP COVER 1	2	
3	90152-09014	SCREW, COUNTERSLINK	6	
4	4FM-15410-01	CRANKCASE COVER ASSY 1	1	
5	1TV-15435-00	EMBLEM	1	
6	3GM-15427-00	COVER, CAP 2	1	
7	1AE-15316-00	DAMPER, ENGINE MOUNT 1	1	
8	92017-09010	SCREW	1	
9	4FM-15451-00	GASKET, CRANKCASE COVER 1	1	
10	4FM-15467-00	GASKET	1	
11	99510-09012	PIN, DOWEL	2	
12	95027-09040	BOLT, FLANGE	3	
13	95027-09090	BOLT, FLANGE	2	
14	4FM-15421-00	COVER, CRANKCASE 2	1	
15	3Y1-15361-00	GAUGE, LEVEL	1	
16	4FM-15362-00	PLUG, OIL LEVEL	1	
17	92210-27778	O-RING	1	
18	3GM-15417-00	COVER, CAP	1	
19	3GM-15449-00	RING, RUBBER	1	
20	4H7-15486-00	GROMMET	3	
21	90209-09096	WASHER	3	
22	99907-09010	SCREW, PAN HEAD	3	
23	3GM-15346-06	BREATHER 1	1	
24	4FM-15463-00	GASKET, CARBURETOR COVER 2	1	
25	90907-09020	SCREW, PAN HEAD	4	
26	90157-09104	SCREW, PAN HEAD	1	
27	90152-09024	SCREW, COUNTERSLINK	1	
28	4FM-15461-00	GASKET, CRANKCASE COVER 2	1	

440300-3140



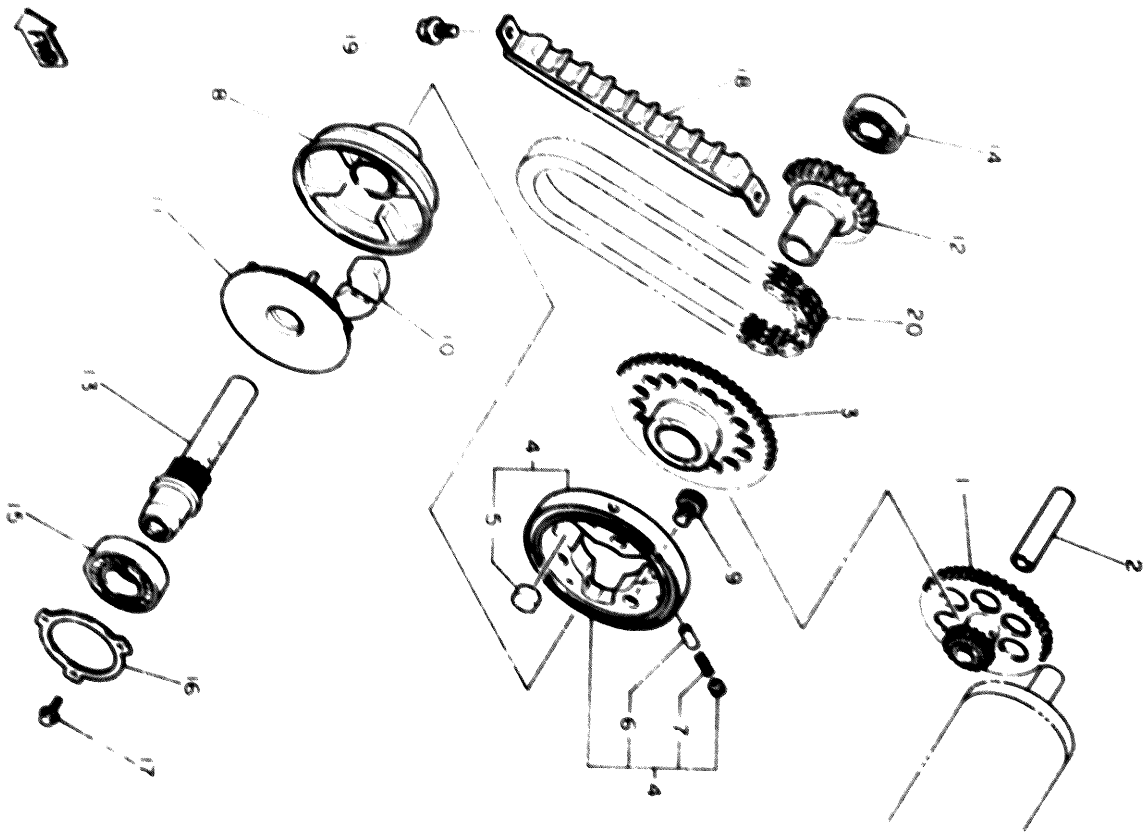
FIG. 14 CRANKCASE COVER 1

REF. NO.	PART NO.	DESCRIPTION	QTY	REMARKS
29	99510-06012	PIN, DOWEL	2	
30	95027-06030	BOLT, FLANGE	2	
31	95027-06020	BOLT, FLANGE	9	



440300-3140

FIG. 15 STARTER

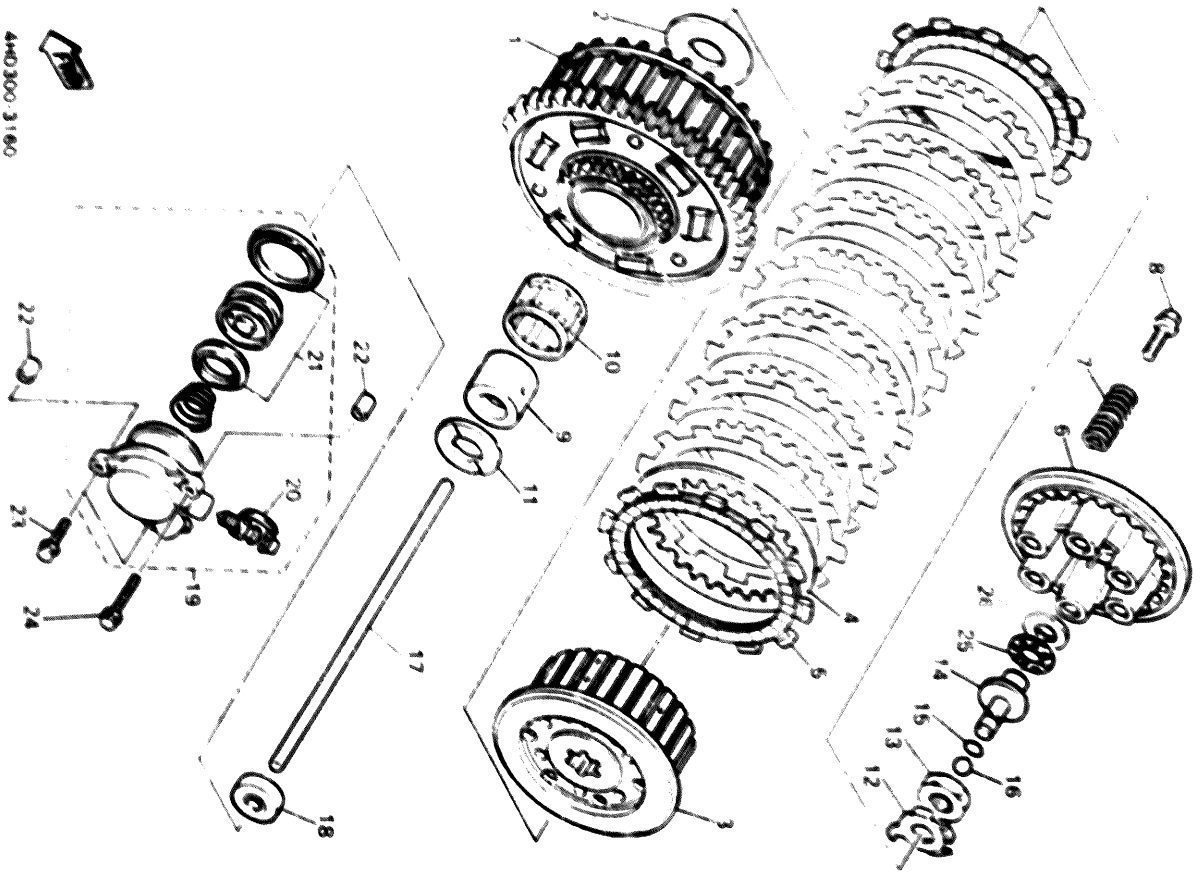


REF. NO.	PART NO.	DESCRIPTION	Q'TY	REMARKS
1	3GM-15512-00	GEAR, IDLER 1	1	
2	51V-15521-00	SHAFT 1	1	
3	48H-15517-00	GEAR, IDLER 2	1	
4	3GM-15580-00	STARTER CLUTCH OUTER ASSY	1	
5	93615-12008	.PIN, DOWEL	3	
6	1J7-15583-01	.CAP, STARTER CLUTCH SPRING	3	
	90501-04K73	.SPRING, COMPRESSION	3	
8	7GM-15524-00	WHEEL, STARTER	1	
9	90110-08177	BOLT, HEXAGON SOCKET HEAD	3	
10	4H7-16155-01	ABSORBER 1	4	
11	3GM-15689-00	RETAINER	1	
12	3GM-15519-00	SPROCKET, STARTER 2	1	
13	3GM-15522-00	SHAFT 2	1	
14	93306-20335	BEARING	1	
15	93306-20541	BEARING (86205)	1	
16	1AE-15381-00	PLATE, BEARING COVER	1	
17	95027-06016	BOLT, FLANGE	3	
18	3GM-11474-00	GUIDE, UPPER	1	
19	95817-06014	BOLT, FLANGE	2	
20	4FM-11456-00	CHAIN, PRIMARY	1	

2K5351 9150



FIG. 16 CLUTCH

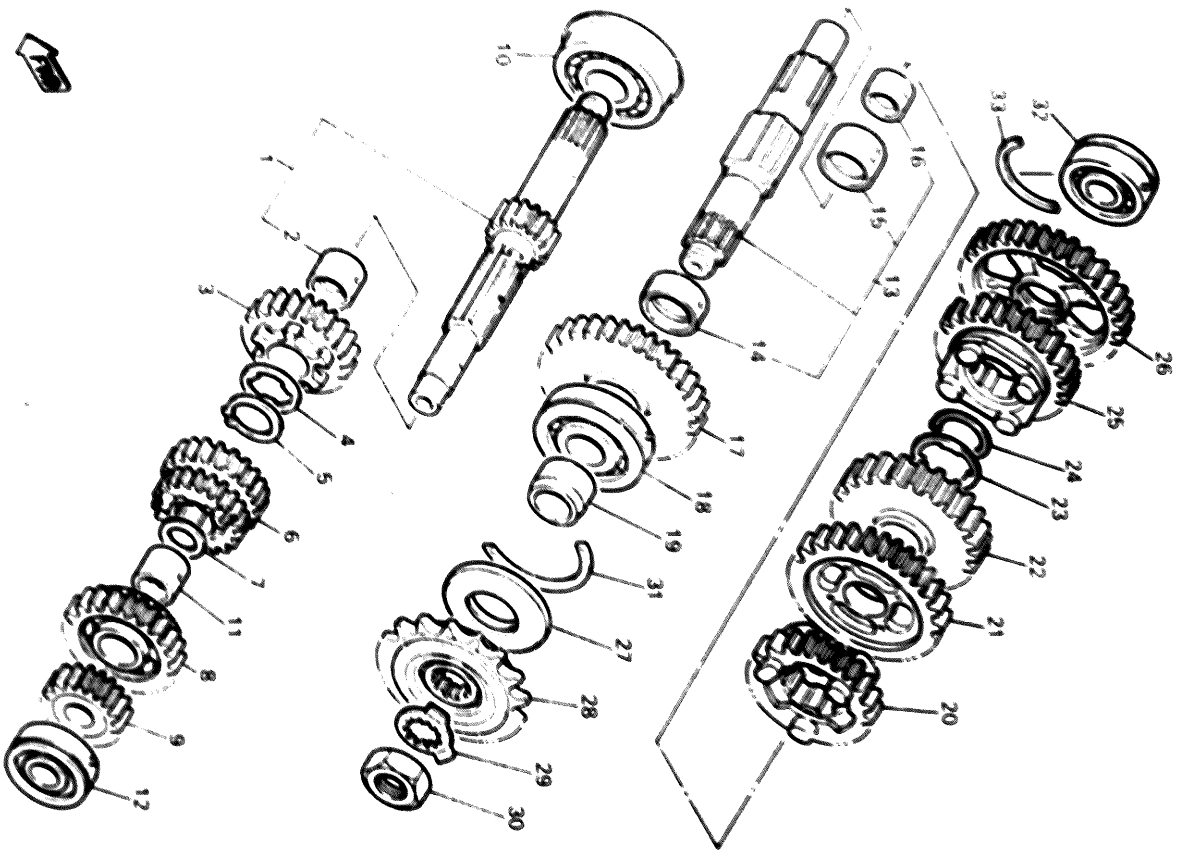


REF. NO.	PART NO.	DESCRIPTION	Q'TY	REMARKS
1	4FM-16150-00	PRIMARY DRIVEN GEAR COMP.	1	
2	1AE-16154-00	PLATE, THRUST 1	1	
3	2GH-16371-00	BOSS, CLUTCH	1	
4	3J2-16324-00	PLATE, CLUTCH 1	8	
5	4FN-16321-00	PLATE, FRICTION	9	
6	SBL-16351-00	PLATE, PRESSURE 1	1	
7	90501-225A9	SPRING, COMPRESSION	6	
8	90159-06123	SCREW, WITH WASHER	6	
9	90560-25270	SPACER	1	
10	93310-340N8	BEARING, CYLINDRICAL	1	
11	1AE-16164-00	PLATE, THRUST 2	1	
12	90215-20231	WASHER, LOCK	1	
13	90170-20327	NUT	1	
14	1LJ-16356-00	ROD, PUSH 1	1	
15	93210-06632	O-RING	1	
16	93511-32027	BALL	1	
17	1AE-16357-00	ROD, PUSH 2	1	
18	93109-08061	OIL SEAL	1	
19	1TV-16361-10	PUSH LEVER COMP.	1	
20	36Y-W0048-00	-BREED SCREW KIT	1	
21	26H-W0098-00	-PUSH LEVER SEAL KIT	1	
22	99510-08012	PIN, DOWEL	2	
23	95027-06030	BOLT, FLANGE	2	
24	95027-06080	BOLT, FLANGE	1	
25	9334C-21505	BEARING, THRUST	1	
26	90201-15042	WASHER, PLATE	1	

4M0300-3160

C10

FIG. 17 TRANSMISSION



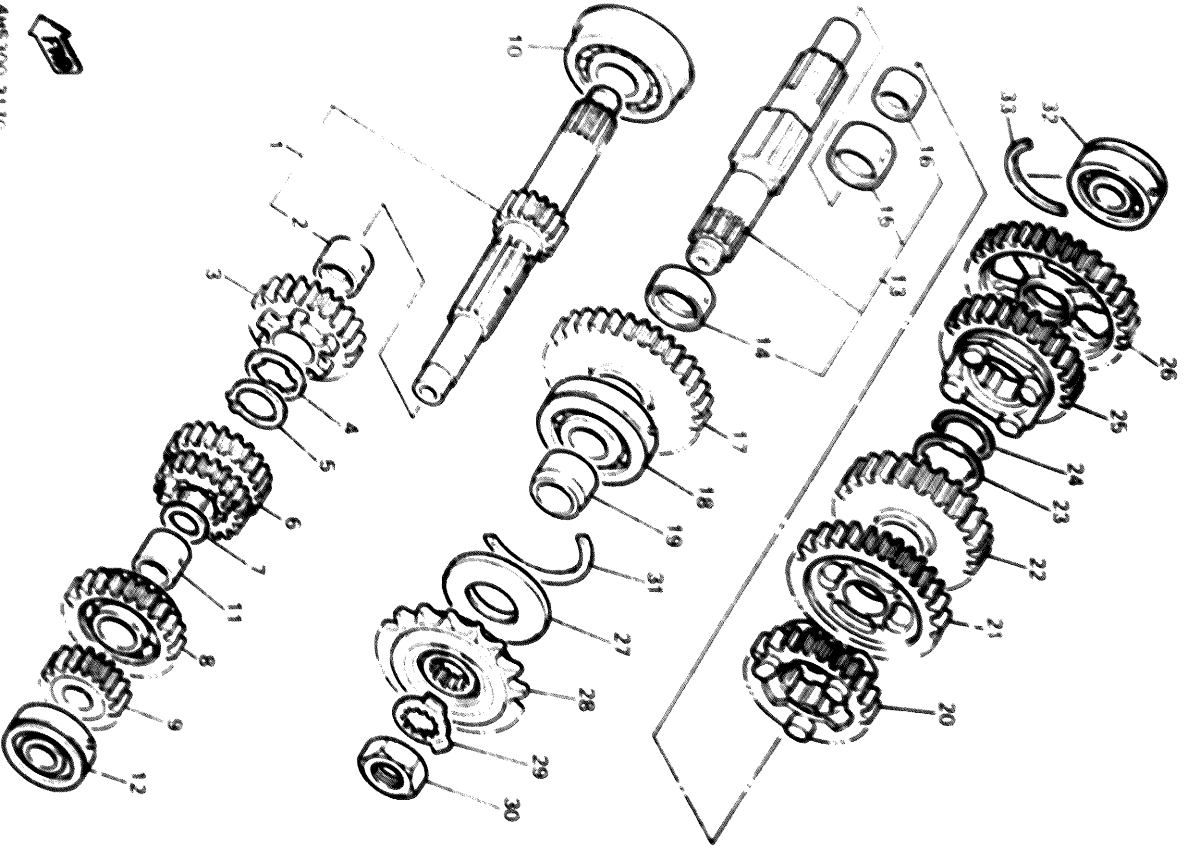
REF. NO.	PART NO.	DESCRIPTION	Q'TY	REMARKS
1	AFN-171741-00	MAIN AXLE ASSY	1	
2	90387-253M6	-COLLAR	1	
3	AFN-17161-00	GEAR, 5TH PINION	1	
4	90209-22191	WASHER	1	
5	93440-25094	CIRCLIP	1	
6	AFN-17191-00	GEAR, 3RD PINION	1	
7	90201-200K3	WASHER, PLATE	1	
8	AFN-17161-00	GEAR, 6TH PINION	1	
9	3FV-17121-00	GEAR, 2ND PINION (17T)	1	
10	93306-30260	BEARING	1	
11	30387-203M7	COLLAR	1	
12	93306-20455	BEARING	1	
13	3FV-171742-00	DRIVE AXLE ASSY	1	
14	90387-263M6	-COLLAR	1	
15	90387-284M0	-COLLAR	1	
16	90387-204M1	-COLLAR	1	
17	3FV-17221-00	GEAR, 2ND WHEEL (33T)	1	
18	93305-29501	BEARING	1	
19	90387-255V9	COLLAR	1	
20	3FV-17261-00	GEAR, 6TH WHEEL (25T)	1	
21	3FV-17231-00	GEAR, 3RD WHEEL (31T)	1	
22	AFN-17241-00	GEAR, 4TH WHEEL	1	
23	90209-25196	WASHER	1	
24	93440-28062	CIRCLIP	1	
25	AFN-17251-00	GEAR, 5TH WHEEL	1	
26	3FV-17211-00	GEAR, 1ST WHEEL (32T)	1	
27	93102-36423	OIL SEAL	1	
28	ZGH-17460-00	SPROCKET, DRIVE 16T (ZGH1746160)	1	

C11

445300 31170

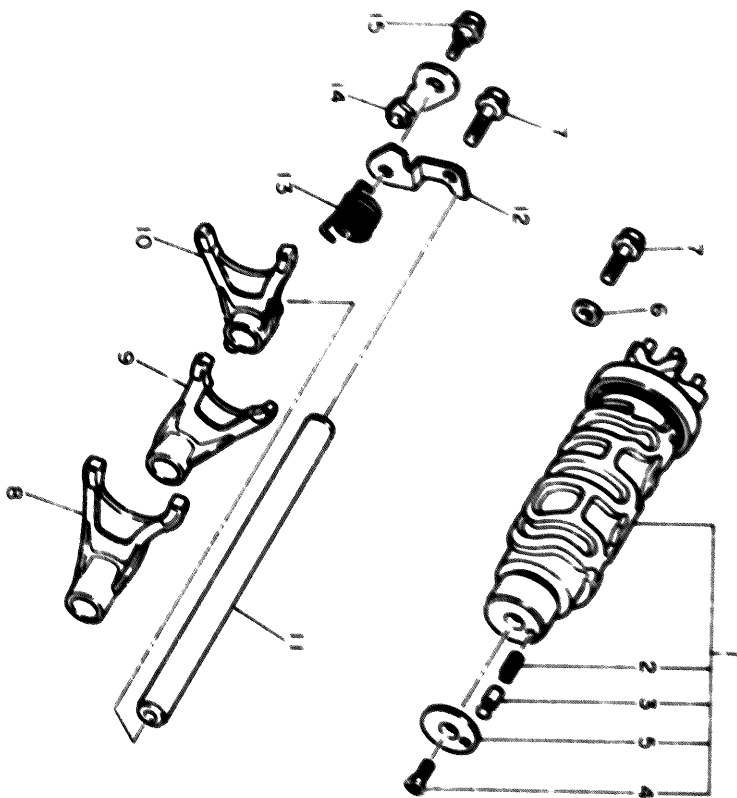
FIG. 17 TRANSMISSION

REF. NO.	PART NO.	DESCRIPTION	QTY	REMARKS
29	90215-21022	WASHER, LOCK	1	
30	90179-18020	NUT	1	
31	278-17424-01	CIRCLIP 1	1	
32	93306-20465	BEARING	1	
33	93440-45144	CIRCLIP	1	



4MS300 3170

FIG. 18 SHIFT CAM • FORK



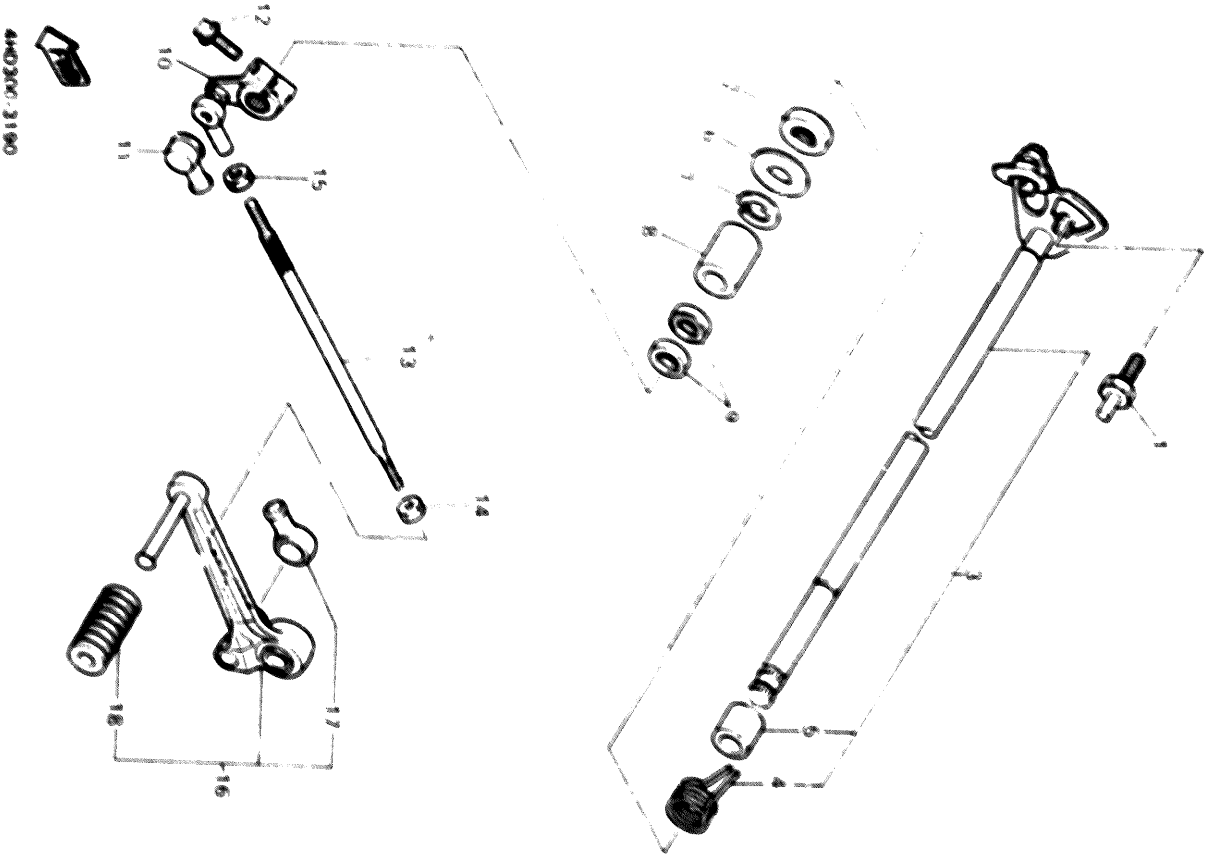
REF. NO.	PART NO.	DESCRIPTION	QTY	REMARKS
1	4FM 18540 00	SHIFT CAM ASSY	1	
2	90501 06022	.SPRING, COMPRESSION	1	
3	278 18542 00	.POINT, NEUTRAL	1	
4	98707 09012	.SCREW, FLAT HEAD	1	
5	278 18566 00	.PLATE, SIDE 2	1	
6	90201 06043	WASHER, PLATE	1	
7	95827 08016	BOLT, FLANGE	2	
8	4FM 18511 00	FORK, SHIFT 1	1	
9	4FM 18512 00	FORK, SHIFT 2	1	
10	4FM 18513 00	FORK, SHIFT 3	1	
11	4B4 18531 00	BAR, SHIFT FORK GUIDE 1	1	
12	1AE 18536 00	STOPPER, SHIFT BAR	1	
13	90508 26681	SPRING, TORSION	1	
14	35Y 18140 00	STOPPER LEVER ASSY	1	
15	90109 063F8	BOLT	1	

11N310 5180



FIG. 19 SHIFT SHAFT

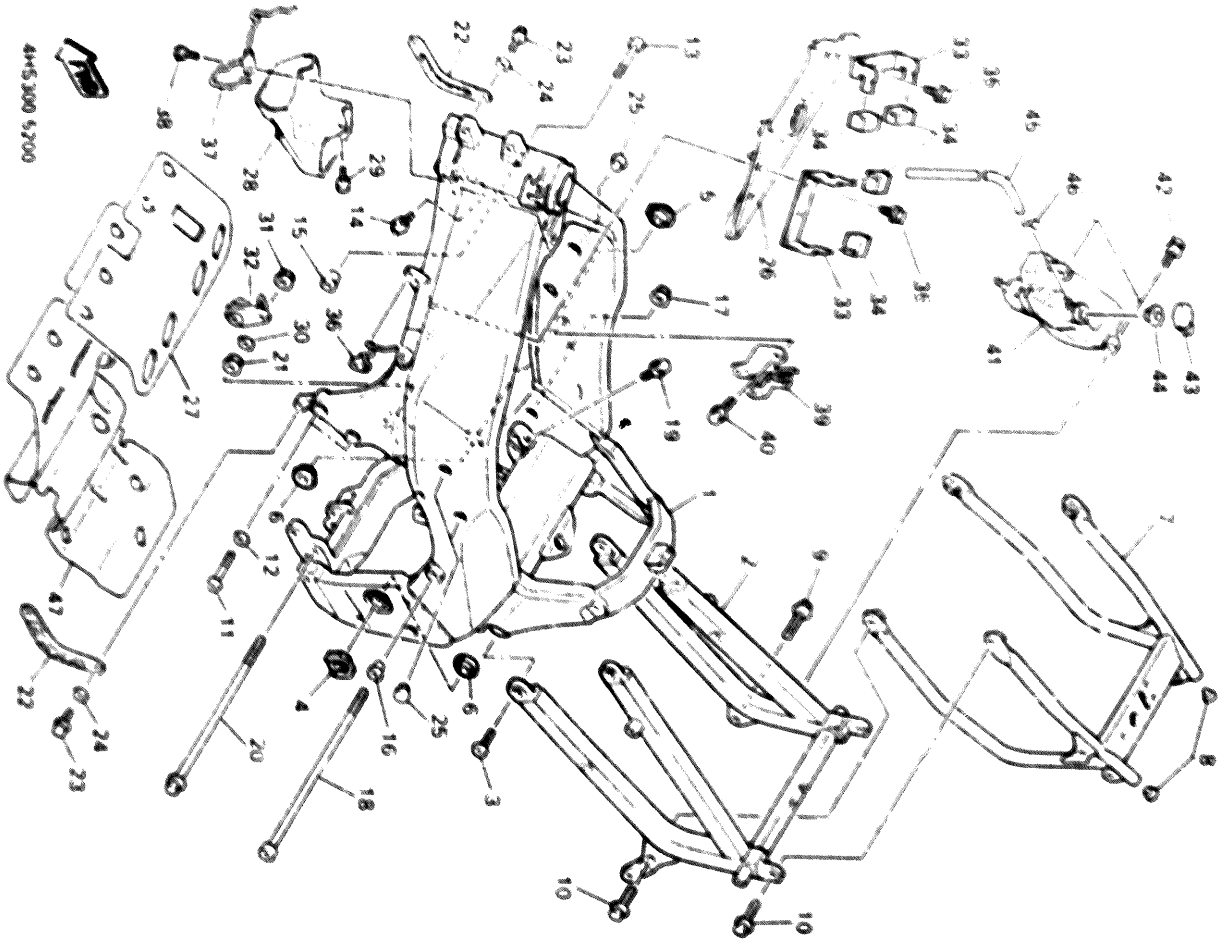
REF. NO.	PART NO.	DESCRIPTION	Q'TY	REMARKS
1	4G0-18127-00	STOPPER, SCREW	1	
2	93102-12106	OIL SEAL	1	
3	1A6-18101-01	SHIFT SHAFT ASSY	1	
4	90508-32882	.SPRING, TORSION	1	
5	90387-114K8	.COLLAR	1	
6	90201-12675	WASHER, PLATE	1	
7	99006-10600	CIRCLIP	1	
8	50660-12191	SPACER	1	
9	93109-12093	OIL SEAL (SDO 12/18/4-1)	2	
10	ZG4-18112-01	ARM, SHIFT	1	
11	ZH9-18154-00	COVER, DUST	1	
12	95617-06020	BOLT, FLANGE	1	
13	1WG-18115-00	ROD, SHIFT	1	
14	90170-06228	NUT (COUNTER, CLOCKWISE)	1	
15	95304-06700	NUT	1	
16	4FM-18110-00	SHIFT PEDAL ASSY	1	
17	ZH9-18154-00	.COVER, DUST	1	
18	132-18113-01	.COVER, SHIFT PEDAL	1	



4M0300-3190

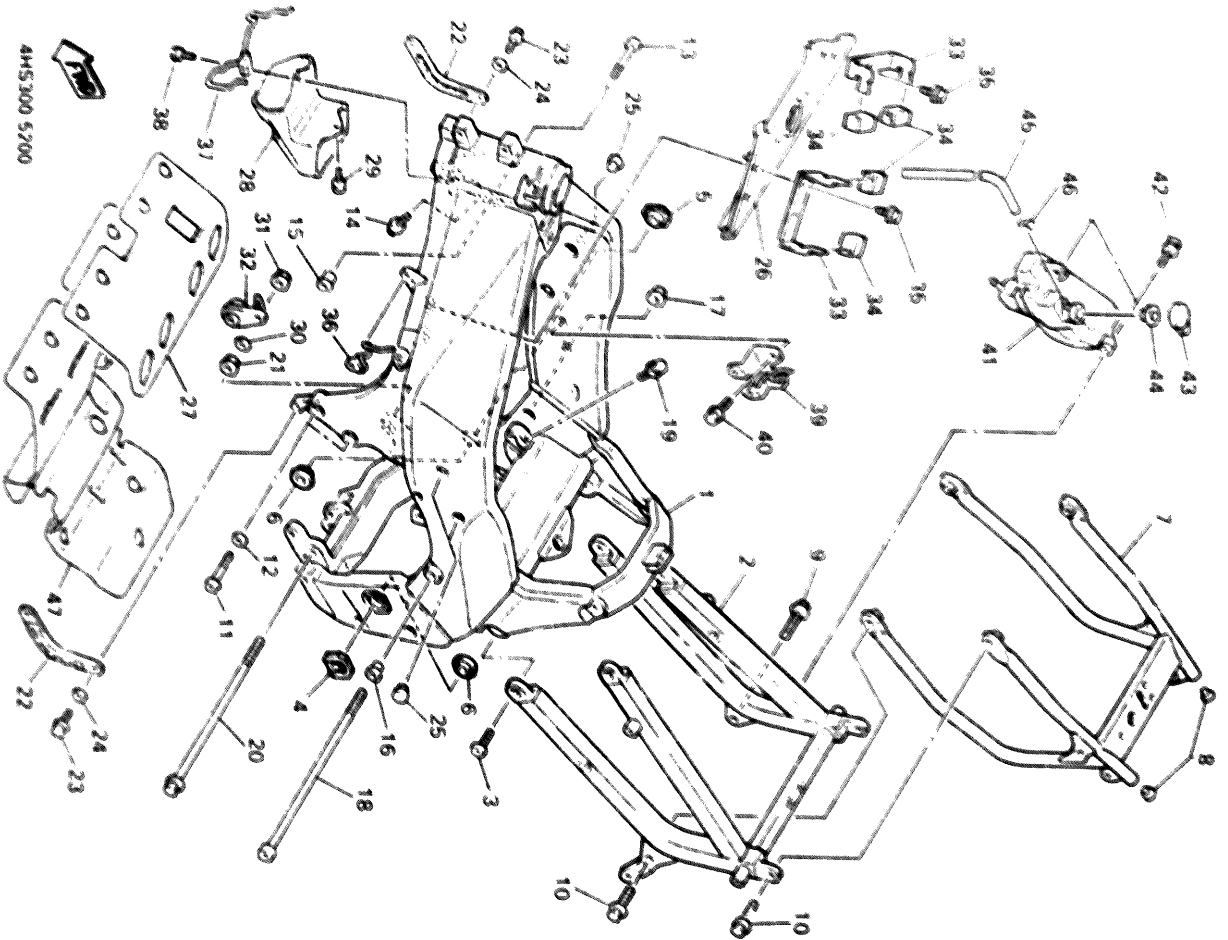
C14

FIG. 20 FRAME



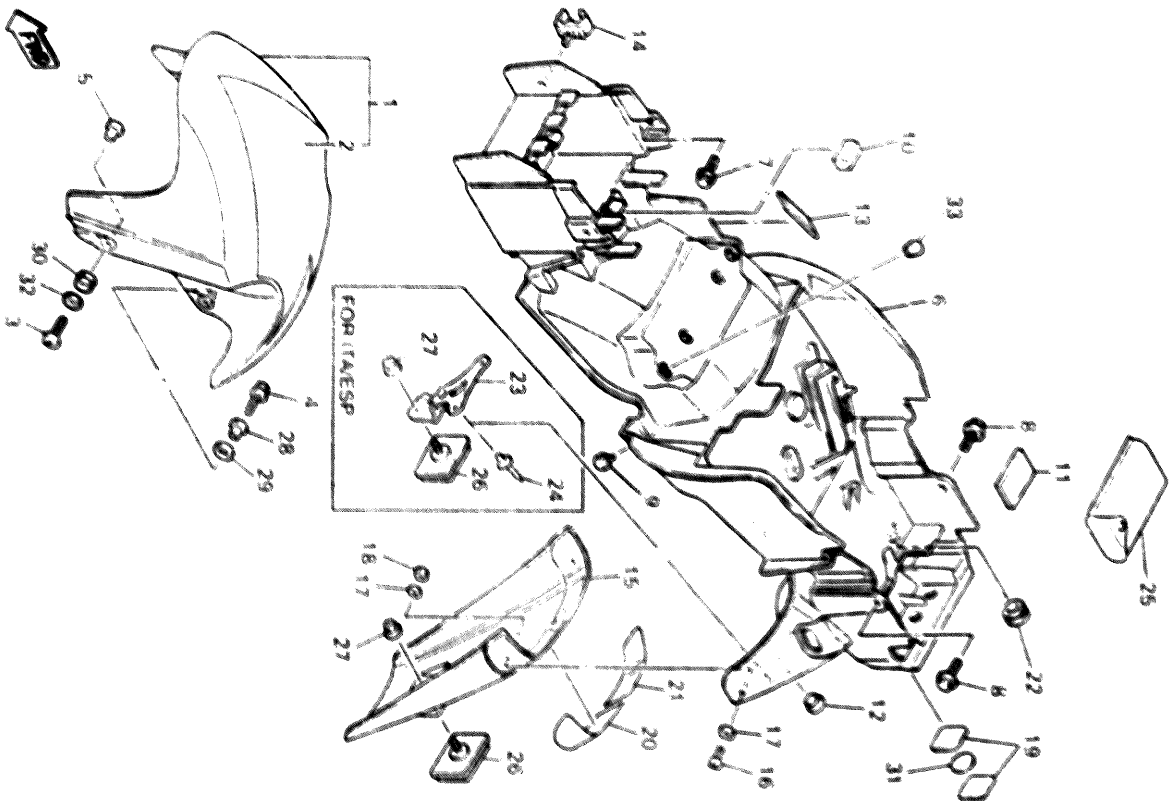
REF. NO.	PART NO.	DESCRIPTION	QTY	REMARKS
1	4FN 21110-00	FRAME, COMP	1	
2	4FN 21190-00	REAR FRAME COMP	1	
3	90109-08718	BOLT	4	
4	4FN 21496-00	BOSS, REAR ARM (L/H)	1	
5	4FN 21497-00	BOSS, REAR ARM (R/H)	1	
6	4FN 2139W-00	COVER	2	
7	4FM 21646-11	STAY, REAR	1	
8	90338-16148	PLUG	2	
9	95617-08030	BOLT, FLANGE	1	
10	95617-08016	BOLT, FLANGE	3	
11	91317-10040	BOLT	2	
12	92907-10600	WASHER	2	
13	91317-10045	BOLT	2	
14	91317-08030	BOLT	2	
15	90387-115V8	COLLAR	2	
16	90387-105V7	COLLAR	1	
17	90179-10560	NUT	1	
18	90110-10169	BOLT, HEXAGON SOCKET HEAD	1	
19	95617-08030	BOLT, FLANGE	2	
20	90106-10716	BOLT, WASHER BASED	1	
21	90179-10658	NUT	1	
22	4FM 2-42K-01	BRACKET, RADIATOR	2	
23	57007-08012	BOLT	2	
24	52517-08000	WASHER	2	
25	90338-16202	PLUG	3	
26	4FM 2117M-11	COVER 2	1	
27	4FN 2117K-00	COVER	1	
28	4FM 2137V-01	GUIDE, ARM	1	

FIG. 20 FRAME



REF. NO.	PART NO.	DESCRIPTION	QTY	REMARKS
29	90159-08058	SCREW, WITH WASHER	1	
30	90201-101J1	WASHER, PLATE	1	
31	95707-10500	NUT, FLANGE	1	
32	4FM-21446-00	STAY, MUFFLER 2	1	
33	4FM-21359-10	BRACKET, COIL	2	
34	48H-82317-01	DAMPER, IGNITION COIL	4	
35	53119-08018	BOLT, WITH WASHER	4	
36	4FM-21161-01	HOLDER, CABLE	1	
37	4FM-21162-00	HOLDER, CLUTCH CABLE	1	
38	90101-08864	BOLT	1	
39	4FM-2116J-10	BRACKET 7	1	
40	95817-09016	BOLT, FLANGE	2	
41	4FM-21871-00	TANK, RECOVERY	1	
42	90159-08033	SCREW WITH WASHER	2	
43	4L0-21875-00	CAP	1	
44	1AA-21874-00	GASKET	1	
45	90445-784G9	HOSE	1	
46	90467-08003	CLIP	1	
47	4FM-12883-00	PROTECTOR, HEAT	1	

FIG. 21 FENDER

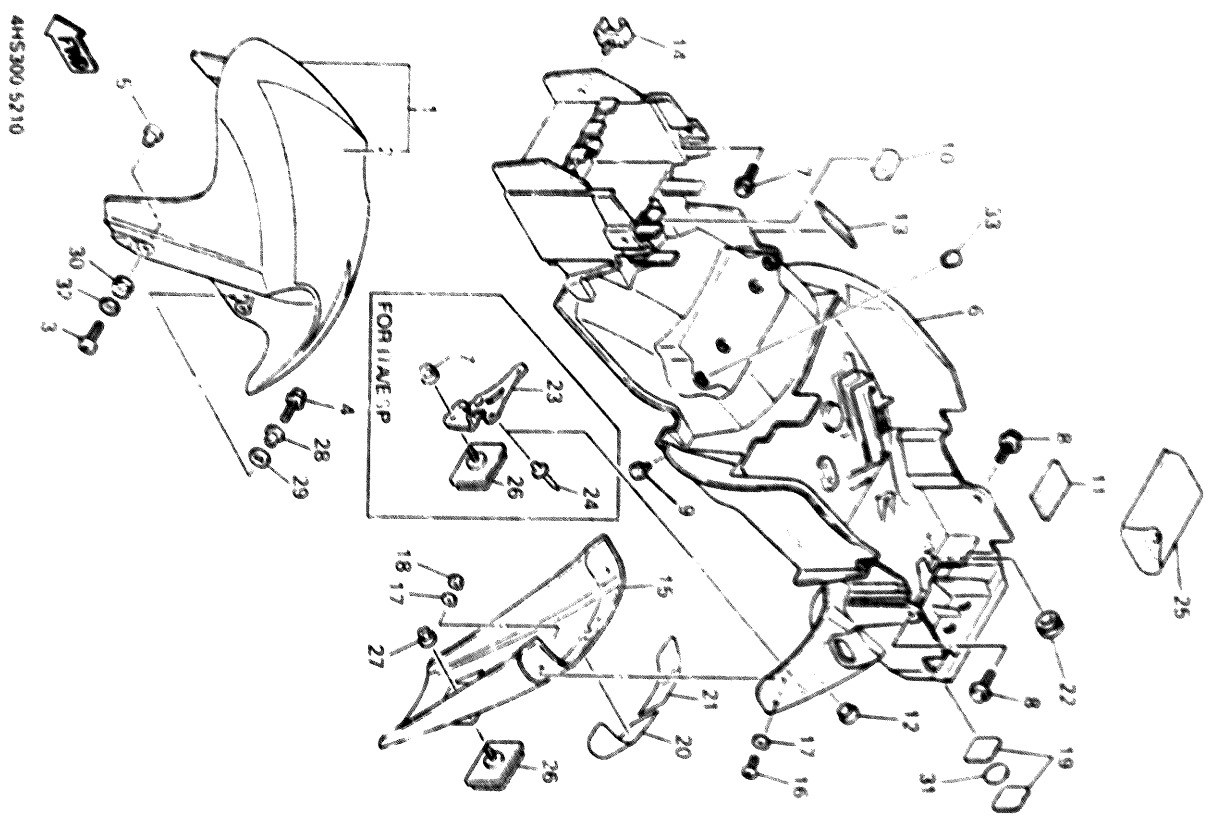


REF. NO.	PART NO.	DESCRIPTION	QTY	REMARKS
1	AFM-V7151-33 P0	FRONT FENDER COMP	1	BLUSHY WHITE COCKTAIL 1
2	AFM-21569-40	GRAPHIC 1	1	
3	90154-06061	SCREW BINDING	2	
4	95817-01016	BOLT, FLANGE	2	
5	90387-06064	COLLAR	2	
6	AFM-21611-03	FENDER, REAR	1	
7	90119-06118	BOLT, WITH WASHER	2	
8	90119-06205	BOLT, WITH WASHER	2	
9	35126724-00	DAMPER, SEAT	2	
10	11J-2414J-00	DAMPER, PLATE 2	1	
11	3TB-28217-00	DAMPER 1	1	
12	90338-07043	PLUG	1	
13	3XV-21778-00	DAMPER, LOCATING 1	1	
14	90464-0613J	CLAMP	1	
15	3GM-21621-00	FLAP	1	
16	90149-04275	SCREW	4	
17	90281-04018	WASHER, PLATE	8	
18	95607-04100	NUT, U	4	
19	AFM-21549-00	DAMPER	2	
20	3GM-21649-00	DAMPER	1	
21	3GM-21649-10	DAMPER	1	
22	90480-10256	GROMMET	2	
23	AFM-85132-00	BRACKET, REFLECTOR 1	1	FOR ITA/ESP
24	30267-40029	RIVET, BLIND	2	FOR ITA/ESP
25	AFM-28100-10	TOOL KIT	1	
26	3G1-85130-01	REAR REFLECTOR ASSY	1	
27	95707-09500	NUT, FLANGE	1	
28	90387-08710	COLLAR	2	

D3

4MS300 5210

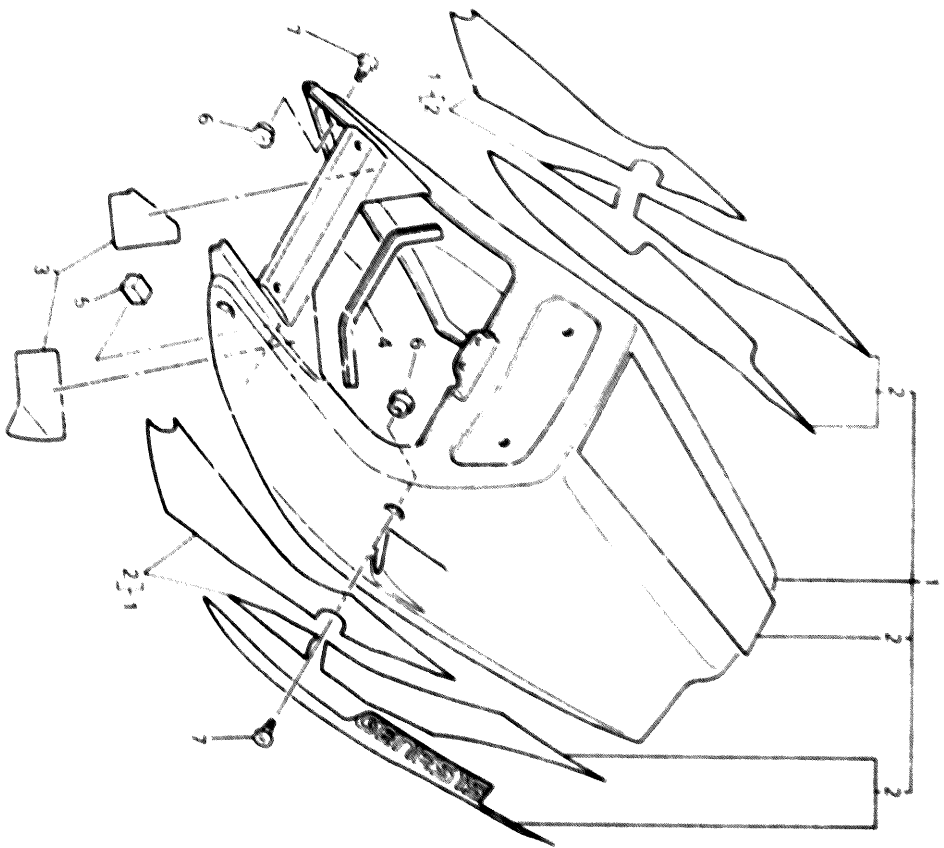
FIG. 21 FENDER



REF. NO.	PART NO.	DESCRIPTION	QTY	REMARKS
29	4FM 26372 00	DAMPER	2	
30	90480 12596	GROMMET	2	
31	4FM 21489 00	SPACER	1	
32	90209 18340	WASHER	2	
33	90338 10132	PLUG	1	

D4

FIG. 22 SIDE COVER

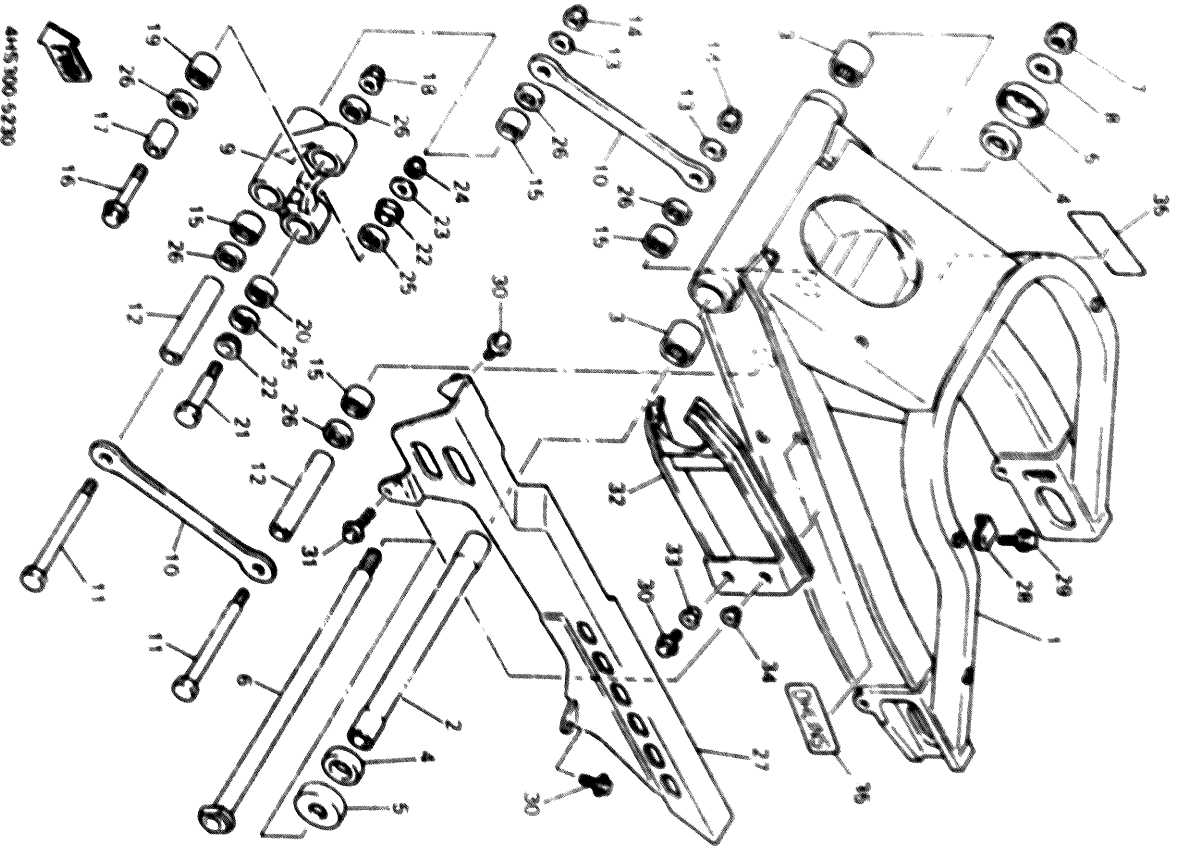


REF. NO.	PART NO.	DESCRIPTION	Q'TY	REMARKS
1	4FM-V2171-30-P0	SIDE COVER ASSY	1	BLUSH WHITE COCKTAIL 1
2	4HS-2173L-00	.GRAPHIC SET 1	1	
3	1JK-2173S-00	SEAL 2	2	
4	3VX-2834S-00	MOLE 2	1	
5	1WQ-2143A-00	CAP	1	
6	90480-13398	GROMMET	4	
7	90150-09036	SCREW, ROUND HEAD	4	

4HS300 5220

D5

FIG. 23 REAR ARM

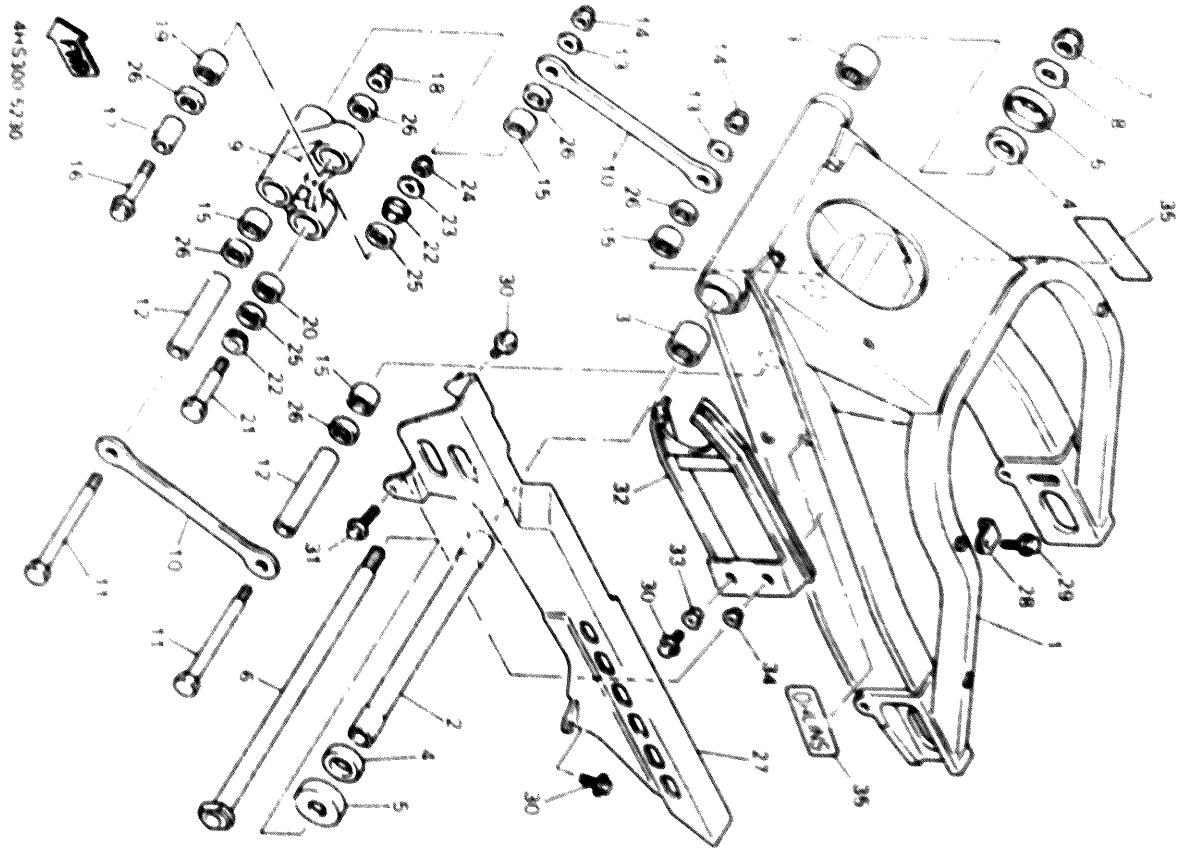


REF. NO.	PART NO.	DESCRIPTION	Q'TY	REMARKS
1	4FM-22110-10	REAR ARM COMP	1	
2	3FV-22104-00	BUSH	1	
3	93316-42523	BEARING, CYLINDRICAL	2	
4	93342-22507	BEARING, THRUST	2	
5	3FV-22128-00	COVER, THRUST 1	2	
6	4FN-22141-00	SHAFT, PIVOT	1	
7	90186-18104	NUT, SELF-LOCKING	1	
8	92907-18800	WASHER	1	
9	4FN-22117A-00	ARM, RELAY	1	
10	4BM-2217M-00	ARM 1	2	
11	90101-10668	BOLT	2	
12	90387-12285	COLLAR	2	
13	90201-101J1	WASHER, PLATE	2	
14	96617-10100	NUT, U	2	
15	93317-21746	BEARING, CYLINDRICAL	4	
16	90105-10376	BOLT, WASHER BASED	1	
17	90387-10284	COLLAR	1	
18	96617-10200	NUT, SELF-LOCKING	1	
19	93317-31771	BEARING, CYLINDRICAL	1	
20	93399-99919	BEARING	1	
21	90101-10659	BOLT	1	
22	90387-124W2	COLLAR	2	
23	90201-101J1	WASHER, PLATE	1	
24	96617-10100	NUT, U	1	
25	93101-16131	OIL SEAL	2	
26	93106-17948	OIL SEAL (SDO 17-24-4)	6	
27	4FM-22311-00	CASE, CHAIN	1	
28	4FM-2213J-00	STAY, CHAIN CASE	1	

D6

4MS 300-5230

FIG. 23 REAR ARM

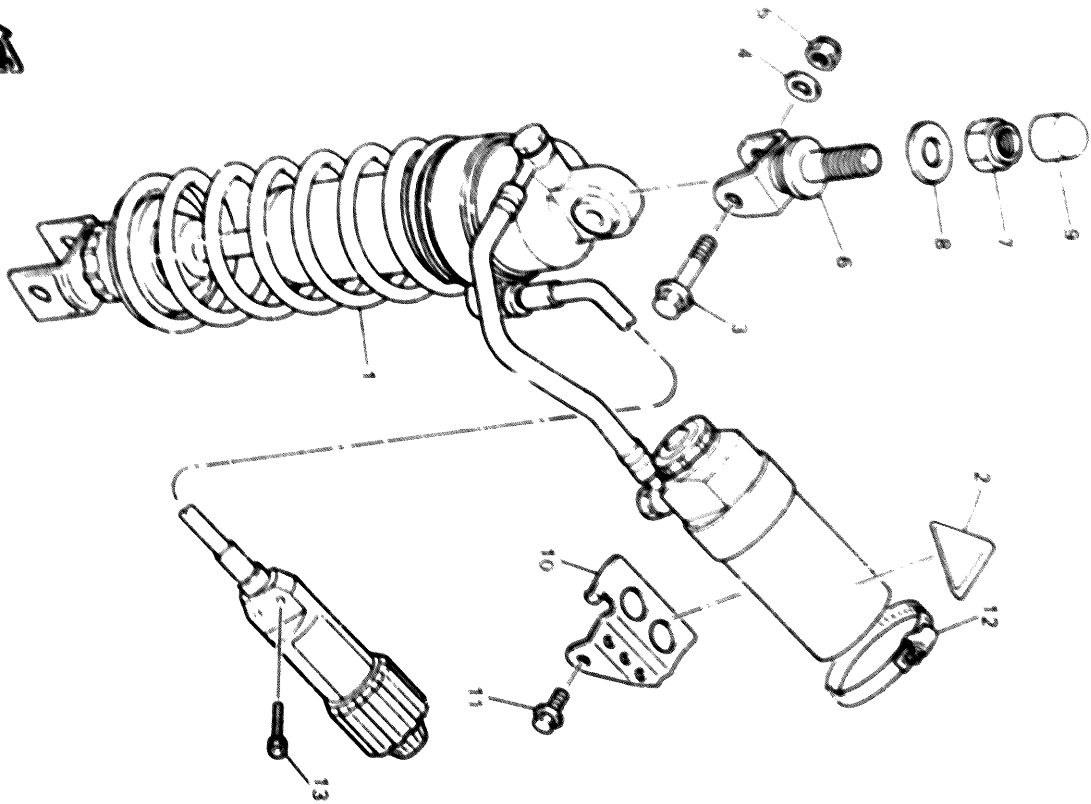


REF. NO.	PART NO.	DESCRIPTION	QTY	REMARKS
29	99027-06016	BOLT, FLANGE	1	
30	90119-06060	BOLT, WITH WASHER	3	
31	90119-06103	BOLT, WITH WASHER	1	
32	41-A-22151-01	SEAL GUARD	1	
33	90387-06704	COLLAR	1	
34	90387-06681	COLLAR	1	
35	4HD-2218A-00	EMBLEM, REAR ARM	2	

4HS300 5230



FIG. 24 REAR SUSPENSION

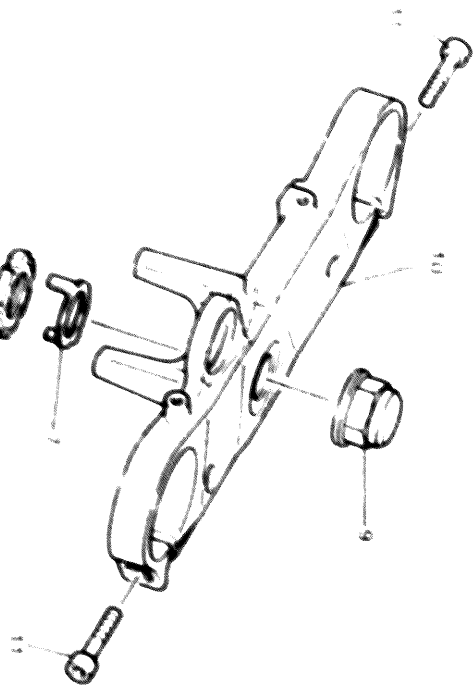


REF. NO.	PART NO.	DESCRIPTION	QTY	REMARKS
1	4MS-22210-00	SHOCK ABSORBER ASSY, REAR	1	
2	4AA-22289-40	LABEL, WARNING	1	
3	90106-10402	BOLT, WASHER BASED	1	
4	90201-101J1	WASHER, PLATE	1	
5	95617-10100	NUT, U	1	
6	4FM-22219-00	BRACKET, UPPER	1	
7	90186-16127	NUT, SELF-LOCKING	1	
8	90201-164M4	WASHER, PLATE	1	
9	478-26336-00	CAP	1	
10	4FM-22262-10	HOLDER, SUB TANK	1	
11	95617-06016	BOLT, FLANGE	1	
12	90450-32008	HOSE CLAMP ASSY	1	
13	93317-06025	BOLT	2	

4MS300 5240



FIG. 25 STEERING



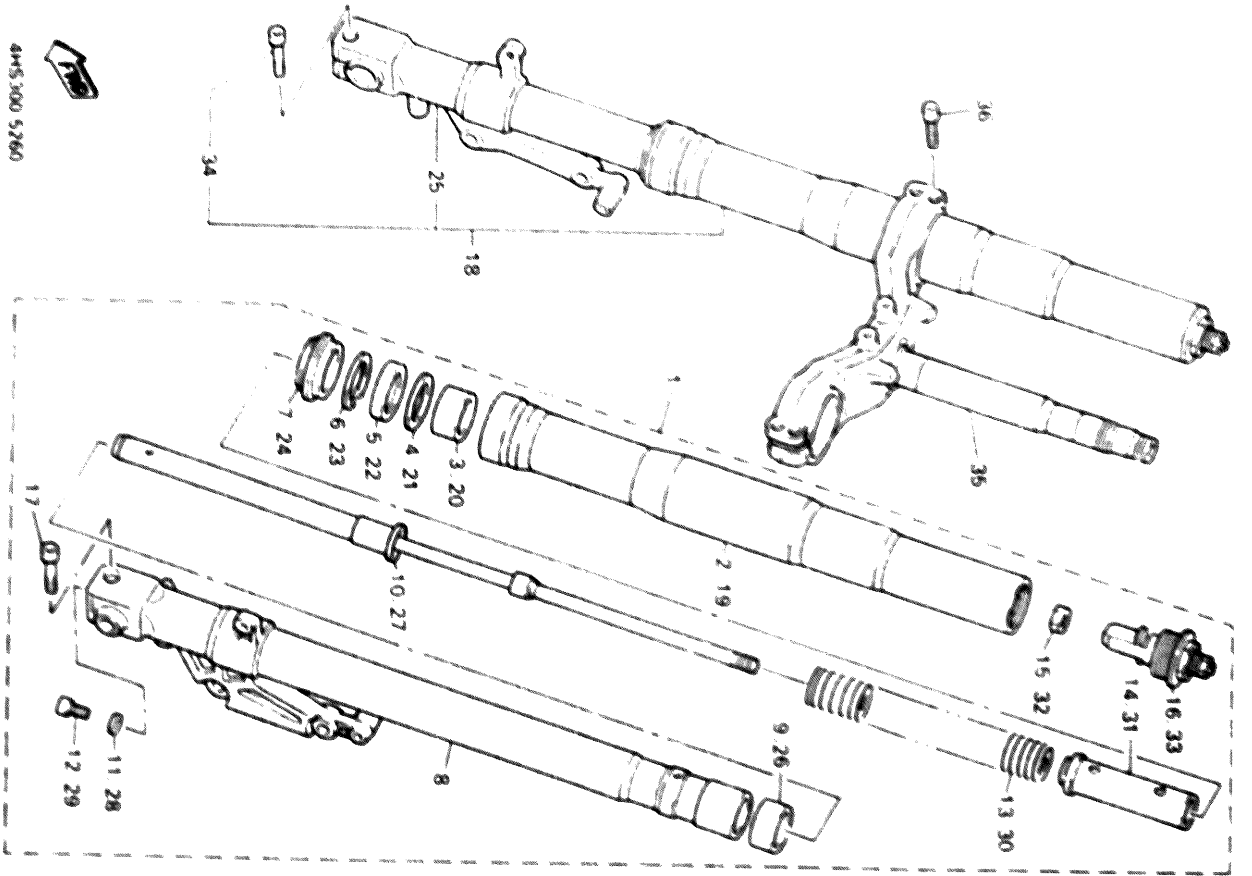
REF. NO.	PART NO.	DESCRIPTION	QTY	REMARKS
1	93399-99932	BEARING	1	
2	3FV 23462-00	SEAL, STEERING	1	
3	93399-99931	BEARING	1	
4	90202 24190	WASHER, PLATE	1	
5	3GM 23415-00	COVER, BALL RACE 1	1	
6	90179 25615	NUT	2	
7	3VF 23418-00	WASHER, SPECIAL	1	
8	90202 26142	WASHER, PLATE	1	
9	90176 22090	NUT, CROWN	1	
10	4FM 23435-20	CROWN, HANDLE	1	
11	91317 08030	BOLT	2	

4M0300 3250



D9

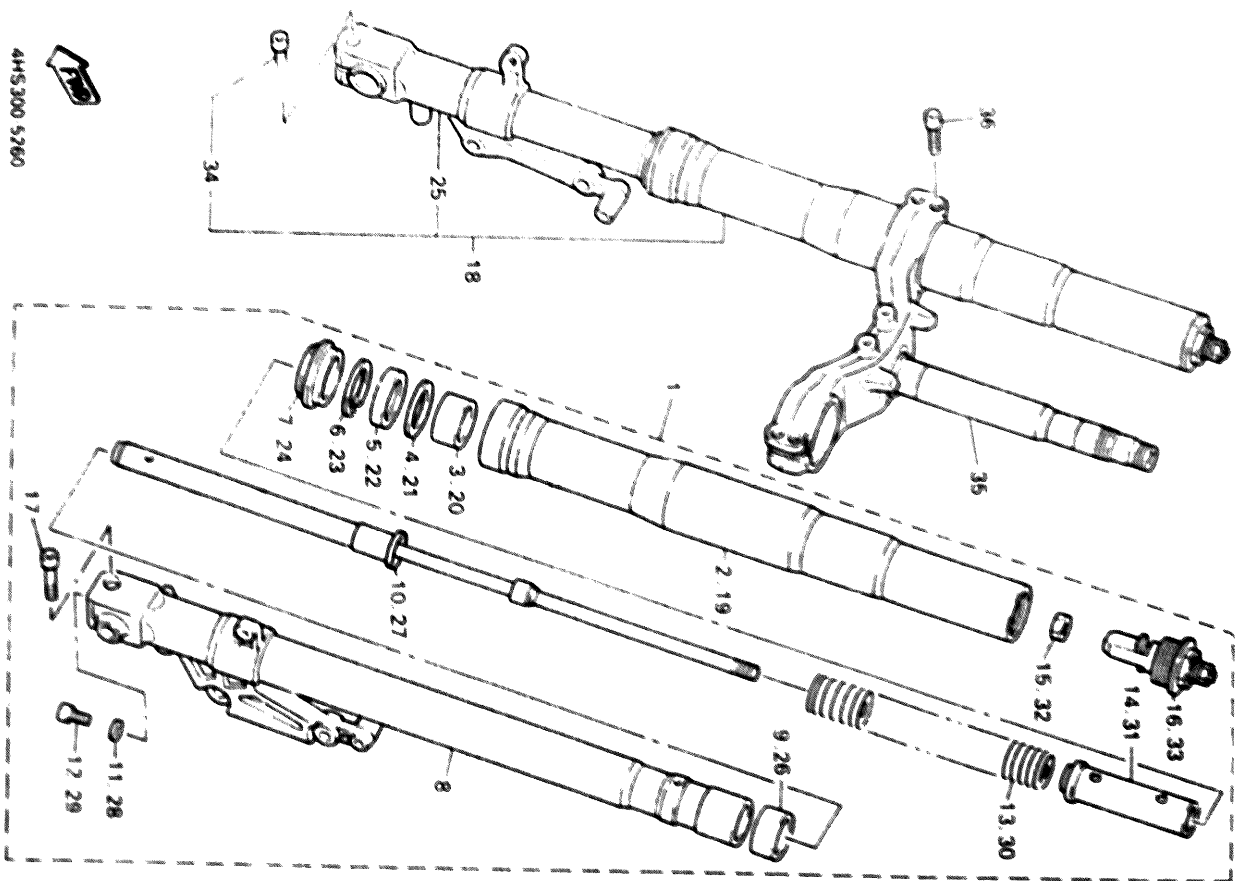
FIG. 26 FRONT FORK



REF. NO.	PART NO.	DESCRIPTION	QTY	REMARKS
1	4FM-23102-50	FRONT FORK ASSY (L.H)	1	
2	4FM-23136-40	.TUBE, OUTER (RIGHT)	1	
3	4FM-23125-40	.METAL SLIDE 1	1	
4	36V-23146-10	.WASHER, OIL SEAL	1	
5	4FM-23145-40	.OIL SEAL	1	
6	26H-23156-00	.CLIP, OIL SEAL	1	
7	3XV-23144-50	.SEAL, DUST	1	
8	4FM-23110-20	.INNER TUBE COMP 1	1	
9	4FM-23171-40	.PISTON, FRONT FORK	1	
10	4FM-23170-50	.CYLINDER COMP., FRONT FORK	1	
11	2K8-23198-L2	.GASKET	1	
12	3LC-23181-00	.BOLT, HEXAGON SOCKET HEAD	1	
13	4FM-23141-10	.SPRING, FRONT FORK	1	
14	4FM-23118-40	.SPACER	1	
15	3LC-23357-00	.NUT	1	
16	4FM-23111-10	.BOLT, CAP	1	
17	91317-08040	.BOLT	1	
18	4FM-23103-50	FRONT FORK ASSY (R.H)	1	
19	4FM-23136-40	.TUBE, OUTER (RIGHT)	1	
20	4FM-23125-40	.METAL SLIDE 1	1	
21	36V-23146-10	.WASHER, OIL SEAL	1	
22	4FM-23145-40	.OIL SEAL	1	
23	26H-23156-00	.CLIP, OIL SEAL	1	
24	3XV-23144-50	.SEAL, DUST	1	
25	4FM-23120-20	.INNER TUBE COMP 2	1	
26	4FM-23171-40	.PISTON, FRONT FORK	1	
27	4FM-23170-50	.CYLINDER COMP., FRONT FORK	1	
28	2K8-23198-L0	.GASKET	1	

D10

FIG. 26 FRONT FORK

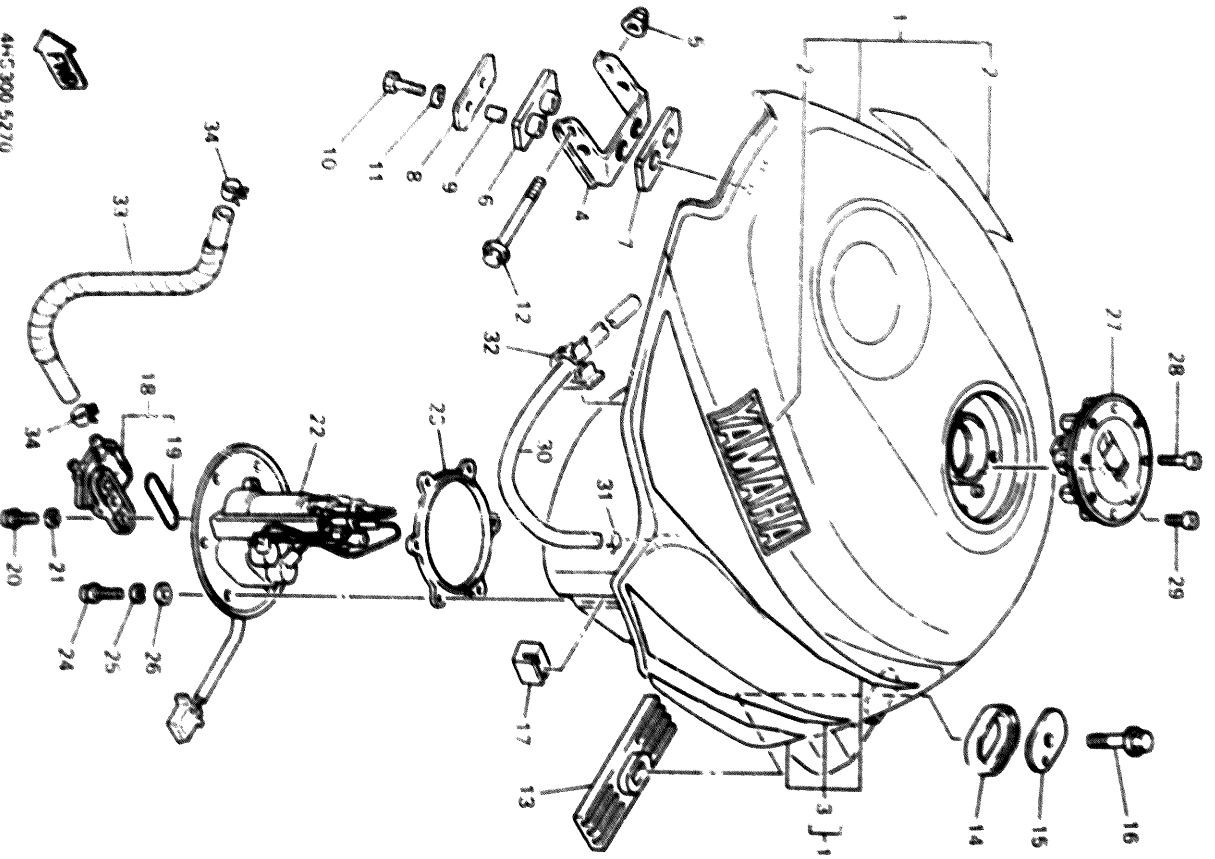


445300 5760

REF. NO.	PART NO.	DESCRIPTION	QTY	REMARKS
29	3LC-23181-00	.BOLT, HEXAGON SOCKET HEAD	1	
30	4FM-23141-10	.SPRING, FRONT FORK	1	
31	4FM-23118-40	.SPACER	1	
32	3LC-23357-06	.NUT	1	
33	4FM-23111-10	.BOLT, CAP	1	
34	91317-06000	.BOLT	1	
35	4FM-23340-00	UNDER BRACKET COMP.	1	
36	91317-06030	BOLT	4	

D11

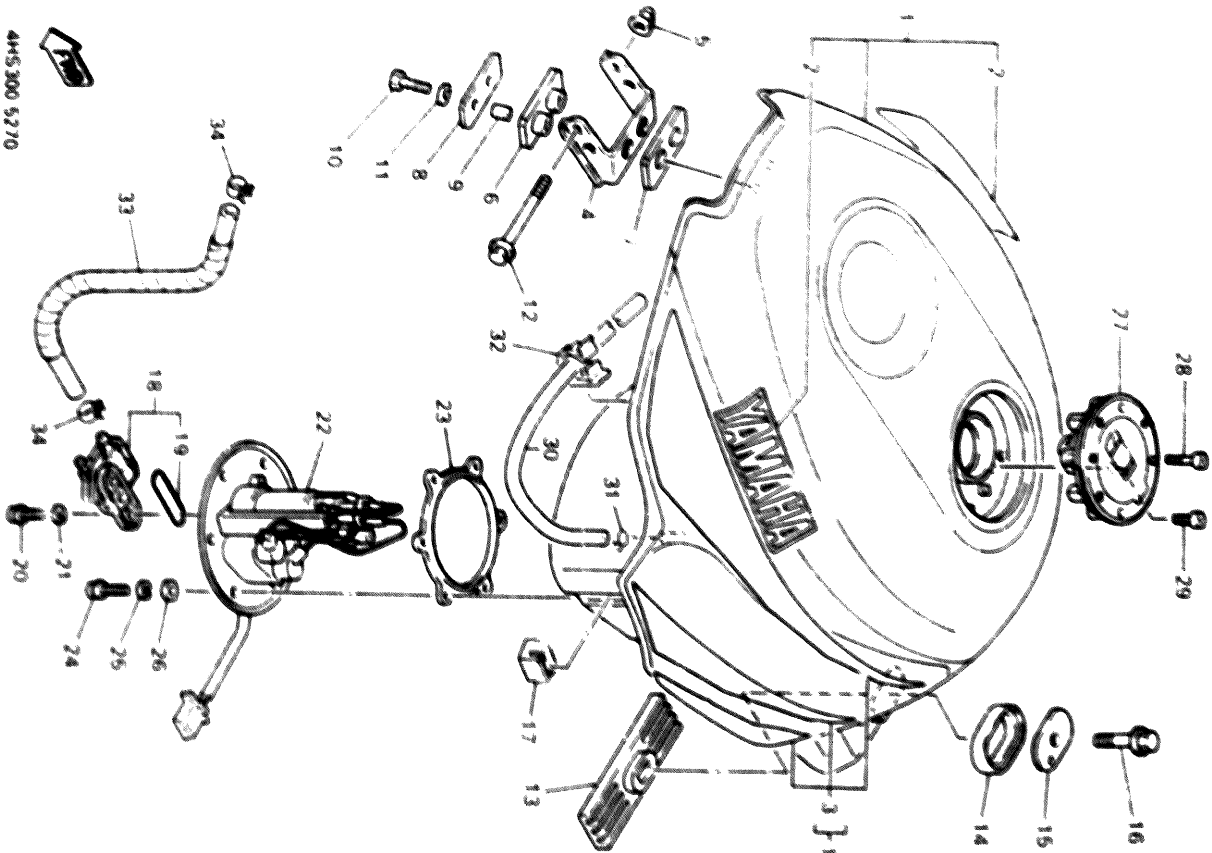
FIG. 27 FUEL TANK



REF. NO.	PART NO.	DESCRIPTION	QTY	REMARKS
1	4FM-24110-30-X3	FUEL TANK COMP.	1	BLUSH WHITE
2	99226-00160	EMBLEM, YAMAHA	2	COCKTAIL 1/ BLACK 2
3	4FM-242-0-20	GRAPHIC SET	1	
4	4FM-24191-00	BRACKET, FUEL TANK 1	1	
5	90176-06055	NUT, CROWN	1	
6	ZGH-24181-00	DAMPER, LOCATING 1	1	
7	ZGH-24183-00	DAMPER, LOCATING 3	1	
8	ZC1-24186-00	WASHER, SPECIAL	1	
9	90387-06299	COLLAR	2	
10	97007-06025	BOLT	2	
11	92907-06600	WASHER	2	
12	15817-06075	BOLT, FLANGE	1	
13	ZGH-24184-00	DAMPER, LOCATING 4	1	
14	3Y6-24183-00	DAMPER, LOCATING 3	1	
15	12R-24186-00	WASHER, SPECIAL	1	
16	95817-08016	BOLT, FLANGE	1	
17	4JH-24183-00	DAMPER, LOCATING 3	2	
18	3FV-24500-01	FUEL COCK ASSY 1	1	
19	4XR-24512-00	O-RING	1	
20	90149-06008	SCREW	2	
21	90202-05187	WASHER, PLATE	2	
22	4FM-13910-00	FUEL PUMP ASSY	1	
23	4FM-2414G-00	SEAL	1	
24	98507-05016	SCREW, PAN HEAD	6	
25	92907-05100	WASHER	6	
26	92907-05600	WASHER	6	
27	4FM-24602-00	CAP ASSY	1	
28	90110-05112	BOLT, HEXAGON SOCKET HEAD	3	

D12

FIG. 27 FUEL TANK



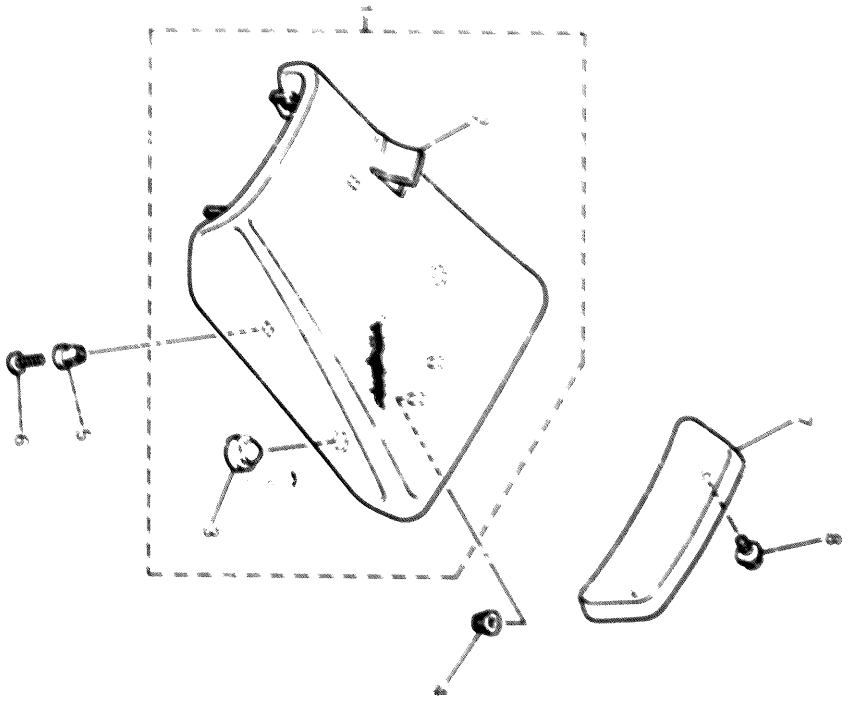
REF. NO.	PART NO.	DESCRIPTION	QTY	REMARKS
29	91317-09010	BOLT	1	
30	90445-10267	HOSE	1	
31	90467-09006	CLIP	1	
32	90464-25160	CLAMP	1	
33	3FV-14254-02	HOSE	1	
34	90467-13123	CLIP	2	

44HS300 5270

D13

FIG. 28 SEAT

REF. NO.	PART NO.	DESCRIPTION	QTY	REMARKS
1	4FM 24710-11	SINGLE SEAT ASSY	1	
2	4FM 24711-00	COVER, SINGLE SEAT	1	
3	4FM 24724-00	DAMPER, SEAT	4	
4	95607-06200	NUT, SELF-LOCKING	2	
5	90338-08226	PLUG	2	
6	97707-60016	SCREW, TAPPING	2	
7	3FV 2840F-00	BACK REST ASSY	1	
8	90119-06194	BOLT, WITH WASHER	2	

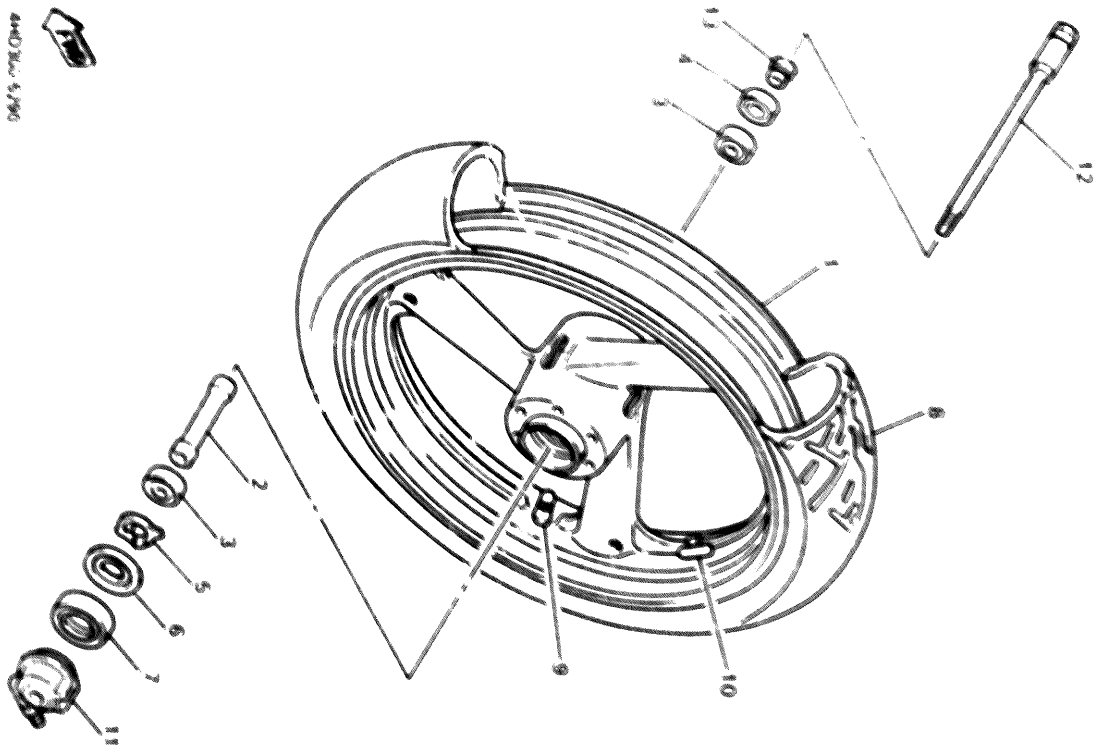


445300 3730



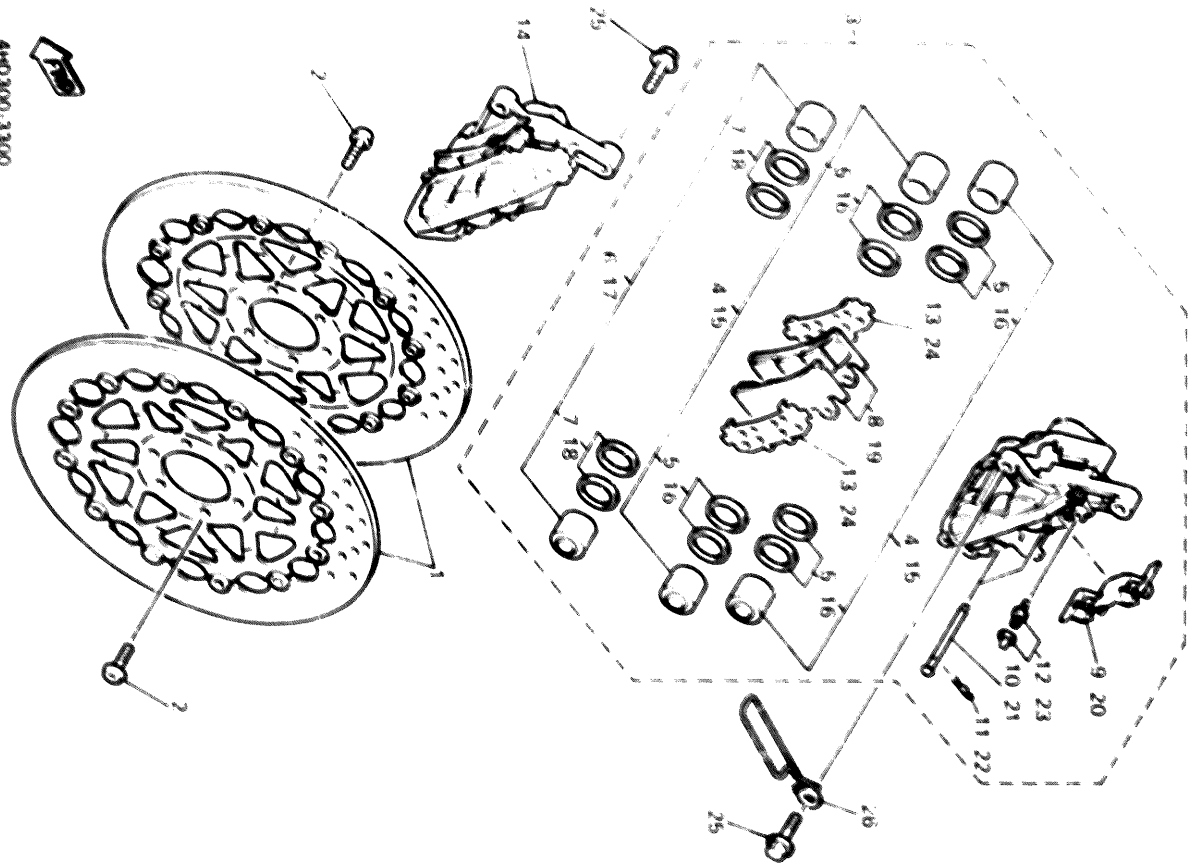
D14

FIG. 29 FRONT WHEEL



REF. NO.	PART NO.	DESCRIPTION	QTY	REMARKS
1	4FM 25168-00 78	CAST WHEEL, FRONT	1	BLUSH BLACK 2
2	90387 22005	COLLAR	1	
3	93306-00420	BEARING (86004)	2	
4	93102 28021	OIL SEAL	1	
5	4FM 25149-00	CLUTCH, METTER	1	
6	341 25848-00	RETAINER, CLUTCH	1	
7	93106-45017	OIL SEAL	1	
8	•	TIRE (120/70 ZR17 (TX11))	1	LM MICHELIN
9	93900 00030	VALVE, RIM	1	
10	29L 25398 00	BALANCER, WHEEL (10G)	1	UN
	29L 25398 10	BALANCER, WHEEL (20G)	1	UN
	29L 25398 20	BALANCER, WHEEL (30G)	1	UN
11	4FM 25190-00	GEAR UNIT ASSY	1	
12	4FM 25181-01	AXLE, WHEEL	1	
13	90387 2200T	COLLAR	1	

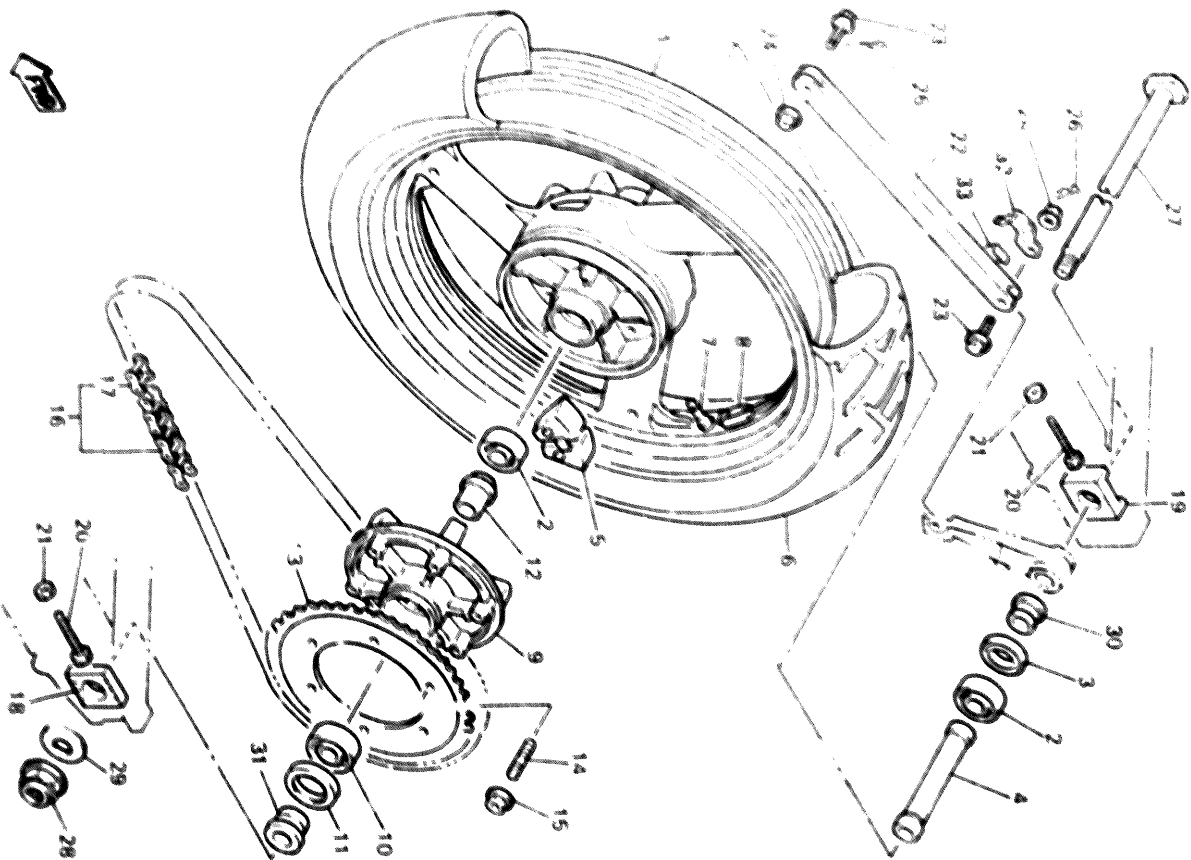
FIG. 30 FRONT BRAKE CALIPER



REF. NO.	PART NO.	DESCRIPTION	QTY	REMARKS
1	4FM-2581T-01	DISC BRAKE ASSY	2	
2	90109-082G4	BOLT	12	
3	4FM-2580T-30	CALIPER ASSY (LEFT)	1	
4	4FM-W0057-10	*PISTON ASSY, CALIPER	2	
5	3MA-W0047-10	**CALIPER SEAL KIT	1	
6	4FM-W0057-00	*PISTON ASSY, CALIPER	1	
7	4FM-W0047-00	**CALIPER SEAL KIT	1	
8	4FM-W0045-30	*BRAKE PAD KIT	1	
9	4FM-25919-00	*SUPPORT, PAD	1	
10	4FM-25922...	*PIN, PAD	2	
11	4FM-2592...	*CLIP	2	
12	1J3-W0748-00	*BLEED SCREW KIT	1	
13	4FM-25827-00	*SHIM, CALIPER	2	
14	4FM-2580U-30	CALIPER ASSY (RIGHT)	1	
15	4FM-W0057-10	*PISTON ASSY, CALIPER	2	
16	3MA-W0047-10	**CALIPER SEAL KIT	1	
17	4FM-W0057-00	*PISTON ASSY, CALIPER	1	
18	4FM-W0047-00	**CALIPER SEAL KIT	1	
19	4FM-W0045-30	*BRAKE PAD KIT	1	
20	4FM-25919-00	*SUPPORT, PAD	1	
21	4FM-25924-00	*PIN, PAD	2	
22	4FM-25825-00	*CLIP	2	
23	1J3-W0048-00	*BLEED SCREW KIT	1	
24	4FM-25827-00	*SHIM, CALIPER	2	
25	90105-10725	BOLT, WASHER BASED	4	
26	4FM-21596-00	HOLDER	1	

4MD300-3300

FIG. 31 REAR WHEEL

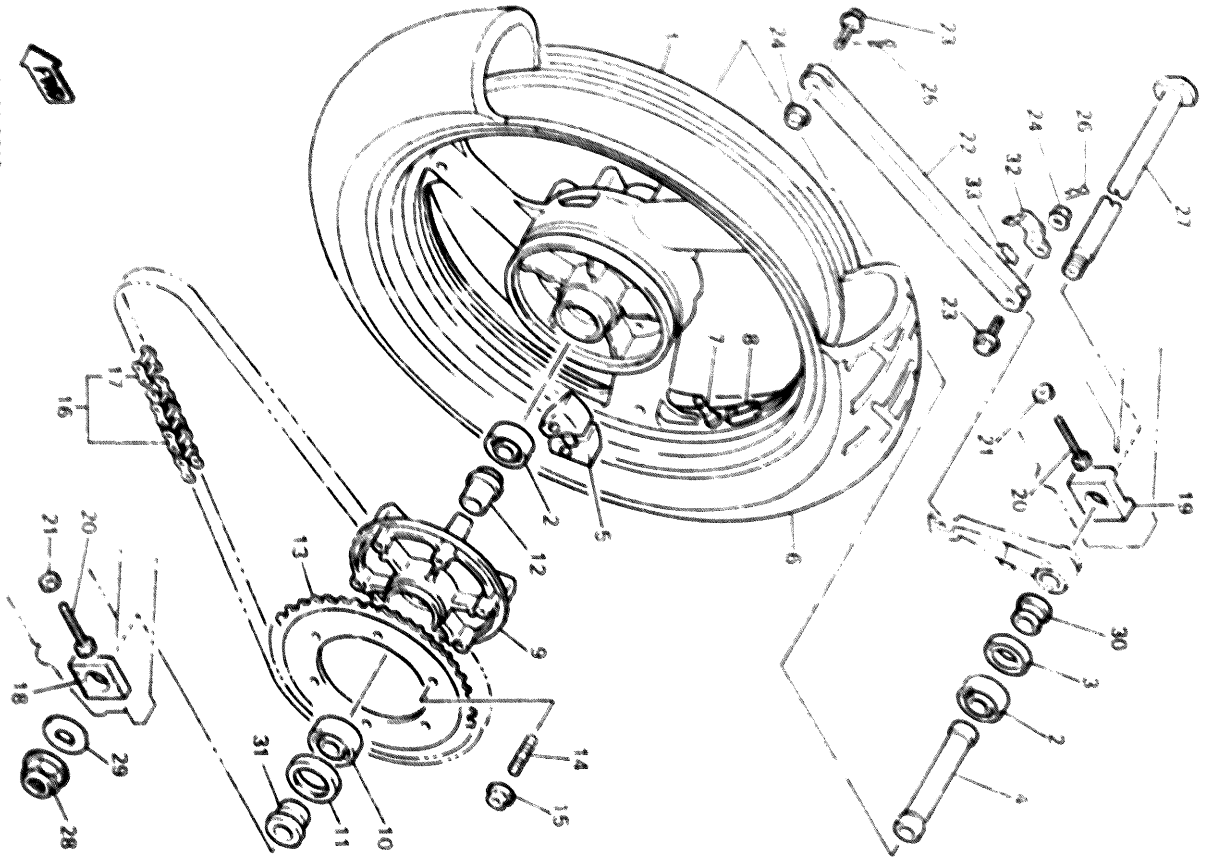


REF. NO.	PART NO.	DESCRIPTION	QTY	REMARKS
1	4FM 25336-00-78	CAST WHEEL, REAR	1	BLUSH BLACK 2
2	93306-20667	BEARING	2	
3	93102-35412	OIL SEAL	1	
4	90560-28389	SPACER	1	
5	4FM 25364-00	DAMPER	6	
6	*	TIRE (180/56 ZR17 TX23)	1	LM MICHE LIN
7	93900-00030	VALVE, RIM	1	
8	29L 25398-00	BALANCER, WHEEL (10G)	1	UN
	29L 25398-10	BALANCER, WHEEL (20G)	1	UN
	29L 25398-20	BALANCER, WHEEL (30G)	1	UN
9	4FM 25366-00	CLUTCH, HUB	1	
10	93306-20664	BEARING	1	
11	93102-40211	OIL SEAL	1	
12	4FM 25377-00	COLLAR, WHEEL	1	
13	4FM 25439-00	SPROCKET, DRIVEN (39T)	1	
14	90116-10575	BOLT, STUD	6	
15	95617-10200	NUT, SELF-LOCKING	6	
16	94561-55104	CHAIN (DHD532LVKA1-L104)	1	
17	94661-55031	JOINT, CHAIN	1	
18	4FM 25388-01	PULLER, CHAIN 1	1	
19	4FM 25389-00	PULLER, CHAIN 2	1	
20	90101-08765	BOLT	2	
21	95307-08600	NUT	2	
22	4FM 25371-00	BAR, TENSION	1	
23	90105-08321	BOLT, WASHER BASED	2	
24	95707-08600	NUT, FLANGE	2	
25	91480-20025	PIN, COTTER	1	
26	90468-16099	CLIP	1	

4M5300 5.310



FIG. 31 REAR WHEEL

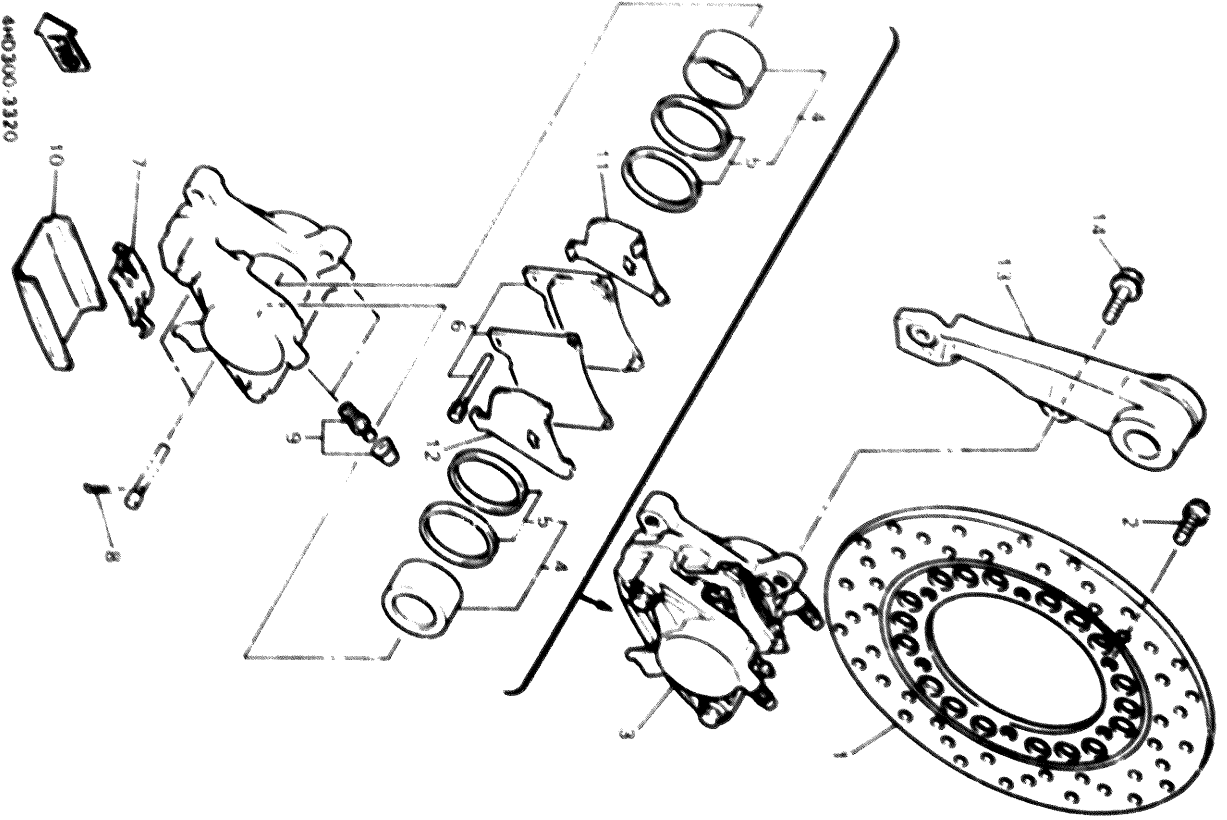


REF. NO.	PART NO.	DESCRIPTION	Q'TY	REMARKS
27	4FM-25381-10	AXLE, WHEEL	1	
28	90185-24185	NUT, SELF-LOCKING	1	
29	90201-25785	WASHER, PLATE	1	
30	90387-2805W	COLLAR	1	
31	90387-2805X	COLLAR	1	
32	4FM-25587-00	HOLDER, BRAKE HOSE	1	
33	2AL-84553-00	DAMPER	1	

4MS3003 5310

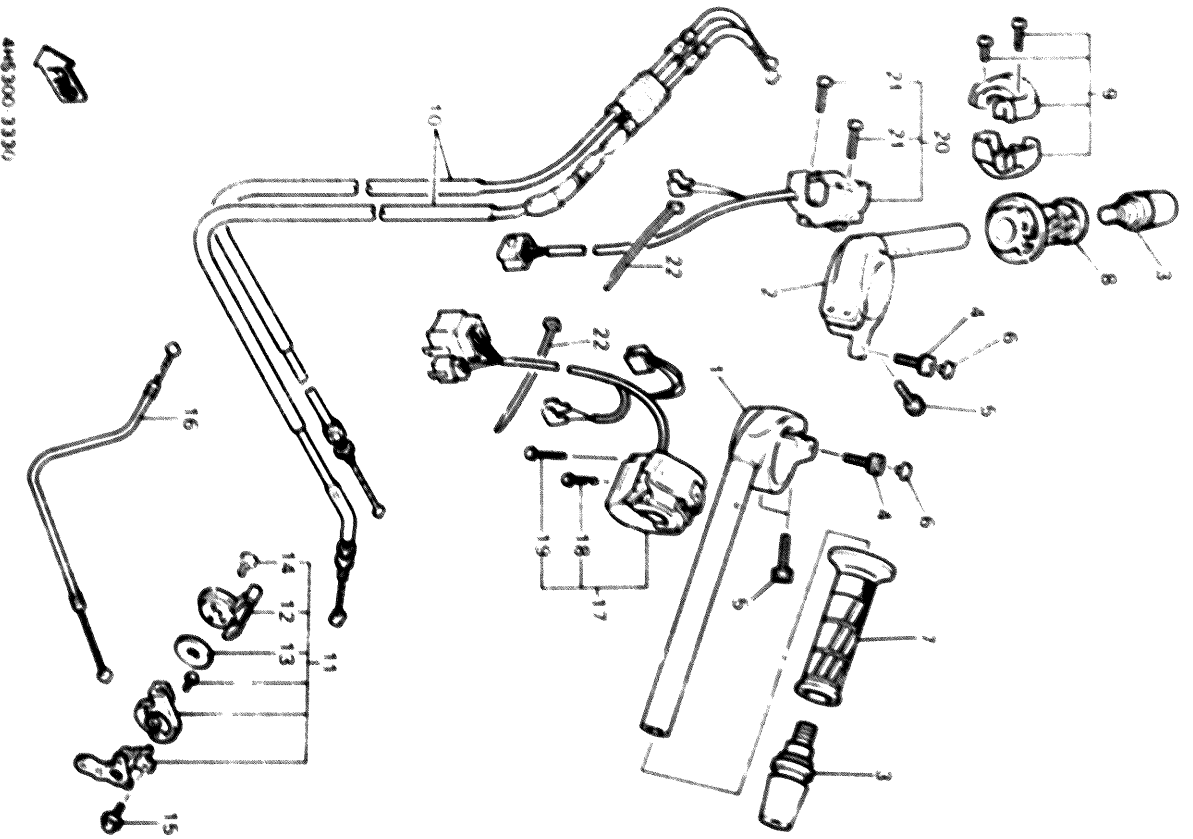
E4

FIG. 32 REAR BRAKE CALIPER



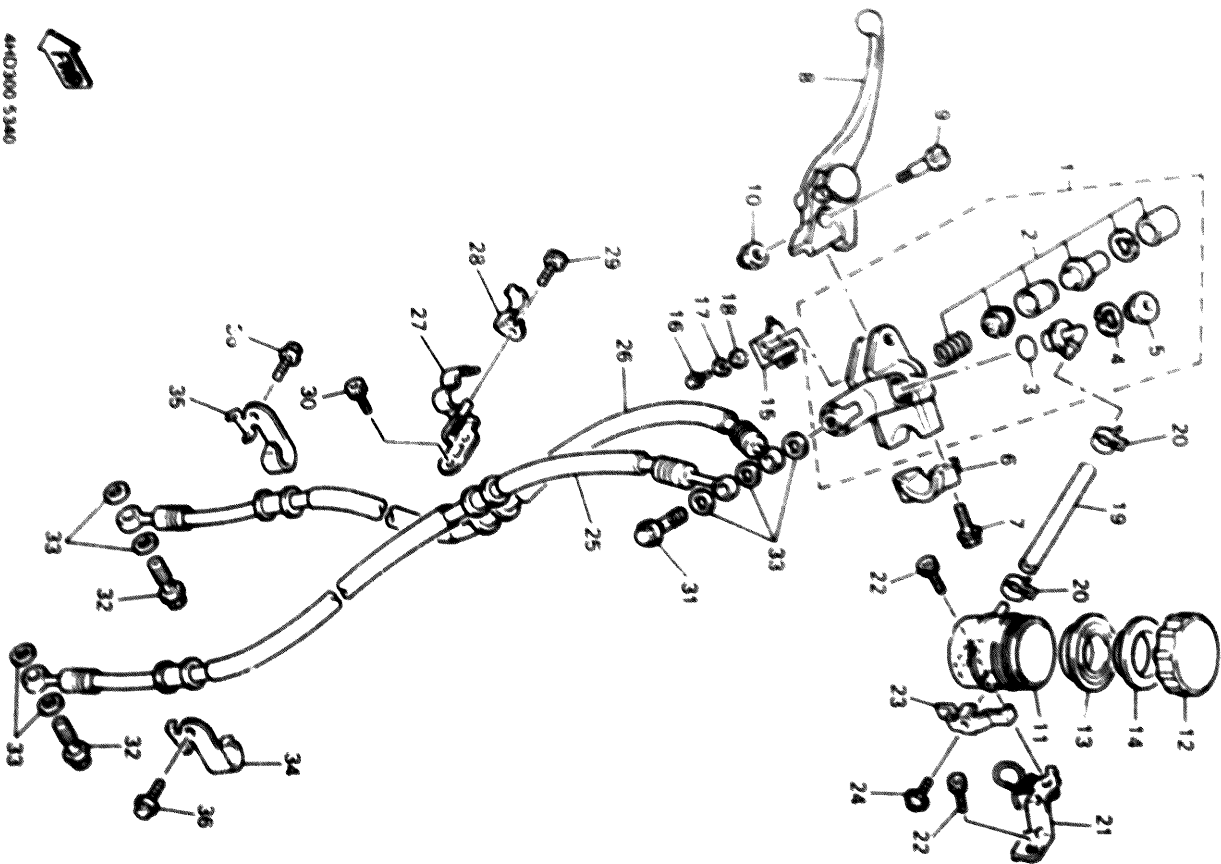
REF. NO.	PART NO.	DESCRIPTION	QTY	REMARKS
1	4FM 25627W-00	DISC, REAR BRAKE 2	1	
2	90109-082G4	BOLT	6	
3	4FM 25600W 10	CALIPER ASSY, REAR 2	1	
4	31A W0057 00	.PISTON ASSY, CALIPER	1	
5	31A W0047 0C	.CALIPER SEAL KIT	1	
6	4FM W0046-00	.BRAKE PAD KIT 2	1	
7	29L 25919 AD	.SUPPORT, PAD	1	
8	3C/A 25925-00	.CLIP	2	
9	1J3 W0048-00	.BLEED SCREW KIT	2	
10	42H 25636-00	.COVER, DUST	1	
11	1FK 25627 00	.SHIM, CALIPER	1	
12	1FK 25628-00	.SHIM, CALIPER	1	
13	4FM 25619-01	BRACKET, CALIPER	1	
14	90175-10725	BOLT, WASHER BASED	2	

FIG. 33 STEERING HANDLE • CABLE



REF. NO.	PART NO.	DESCRIPTION	QTY	REMARKS
1	4FM 26121-01	HANDLEBAR (LEFT)	1	
2	4FM 26122-00	HANDLEBAR (RIGHT)	1	
3	36V 26246-00	END GRIP	2	
4	91317-06020	BOLT	2	
5	91317-06025	BOLT	4	
6	10L 23469-00	CAP BOLT	2	
7	4FM 26241-00	GRIP (LEFT)	1	
8	4FM 26240-00	GRIP ASSY	1	
9	3LN 26270-01	CABLE CONNECTOR CAP ASSY	1	
10	4FM 26302-10	THROTTLE CABLE ASSY	1	
11	4FM 83940-00	STARTER ASSY	1	
12	1WG 83941-00	LEVER, STARTER	1	
13	90209-10131	WASHER	1	
14	98907-06008	SCREW, BIND	1	
15	96807-06010	BOLT, FLANGE	1	
16	4FM 26331-10	CABLE, STARTER 1	1	
17	3GM 83989-01	SWITCH, HANDLE 5	1	
18	98507-05030	SCREW, PAN HEAD	1	
19	98506-05040	SCREW, PAN HEAD	1	
20	4FM 83975-00	SWITCH, HANDLE 2	1	
21	98507-05018	SCREW, PAN HEAD	2	
22	26G 83936-01	BAND, SWITCH CORD	2	

FIG. 34 FRONT MASTER CYLINDER

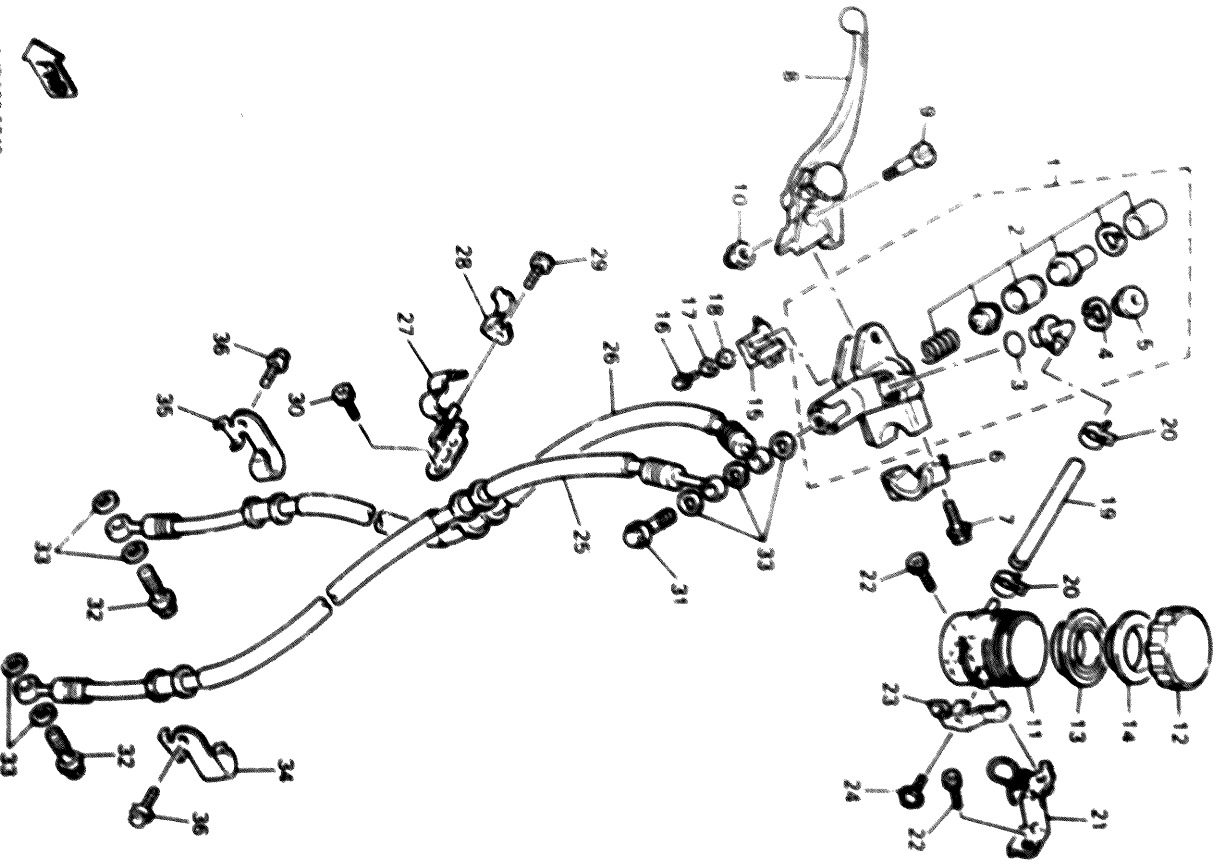


REF. NO.	PART NO.	DESCRIPTION	QTY	REMARKS
1	3GM-W2587-50	MASTER CYLINDER SUB ASSY	1	
2	3GM-W0041-50	CYLINDER KIT, MASTER	1	
3	93210-15620	O-RING	1	
4	2VN-25886-00	CIRCLIP	1	
5	3FV-2589A-00	COVER, DUST	1	
6	56A-25867-00	BRACKET, MASTER CYLINDER	1	
7	9F222-22975	BOLT, FLANGE	2	
8	3GM-83922-51	COVER 2	1	
9	3FV-2589F-00	BOLT, LEVER	1	
10	96607-06100	NUT, U	1	
11	3FV-2589A-00	TANK, RESERVOIR	1	
12	3GM-25862-50	CAP, RESERVOIR	1	
13	3FV-2585A-00	DIAPHRAGM, RESERVOIR	1	
14	2J2-25855-50	BUSH, DIAPHRAGM	1	
15	3FV-83980-00	FRONT STOP SWITCH ASSY	1	
16	98517-04012	SCREW, PAN HEAD	1	
17	92990-04100	WASHER, SPRING	1	
18	92901-04600	WASHER, PLATE	1	
19	3GM-2585F-00	HOSE	1	
20	3PA-24356-00	CLIP, PIPE 1	2	
21	AFM-26292-00	STAY	1	
22	91317-08012	BOLT	2	
23	3FV-2589G-00	HOLDER	1	
24	3GM-2589H-00	SCREW, WITH WASHER	1	
25	AFM-25872-02	HOSE, BRAKE 1	1	
26	AFM-25873-02	HOSE, BRAKE 2	1	
27	AFM-23377-00	BRACKET, HORN	1	
28	AFM-23378-00	BRACKET	1	

44D300 5340

E7

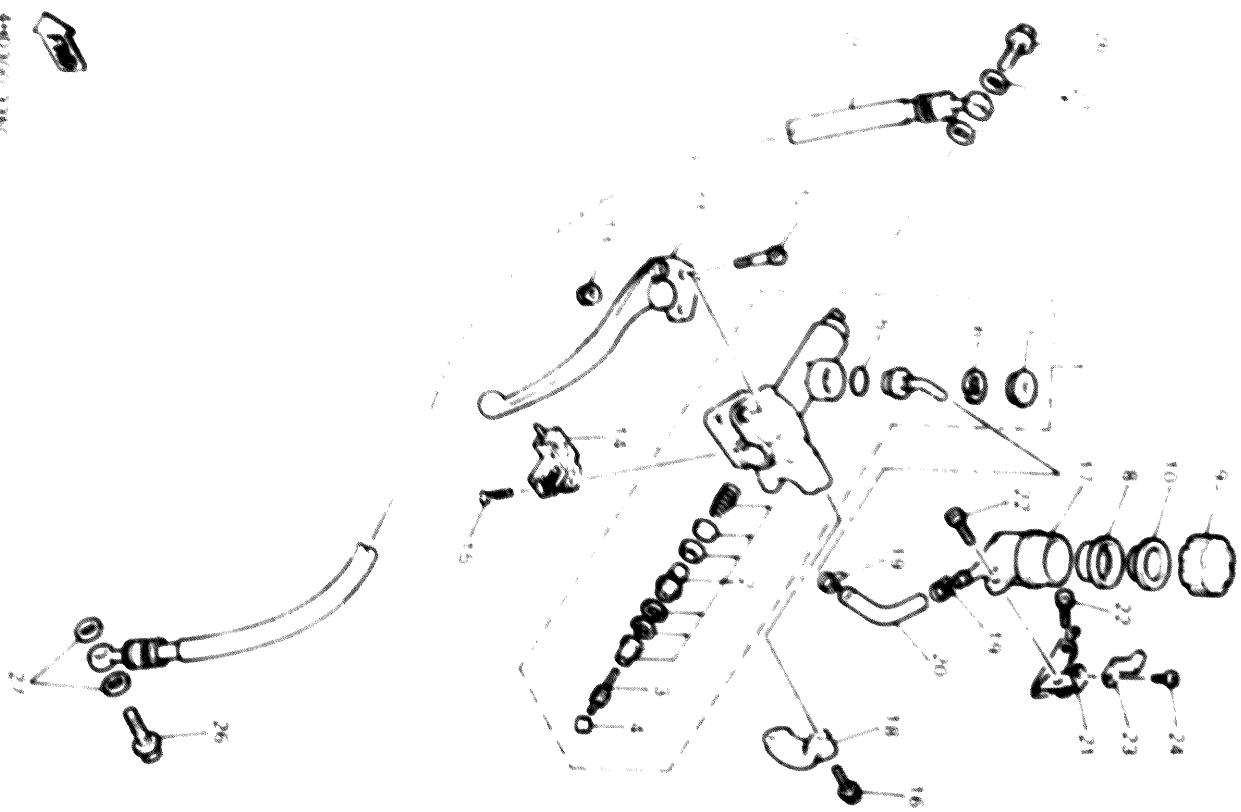
FIG. 34 FRONT MASTER CYLINDER



REF. NO.	PART NO.	DESCRIPTION	QTY	REMARKS
29	91317-08010	BOLT	1	
30	91317-08012	BOLT	2	
31	90401-10160	BOLT UNION	1	
32	90401-10169	BOLT UNION	2	
33	90201-10118	WASHER, PLATE	7	
34	3MA-25876-12	HOLDER, BRAKE HOSE 2	1	
35	3MA-25876-22	HOLDER, BRAKE HOSE 2	1	
36	99807-08012	BOLT, FLANGE	2	

440300 5340

FIG. 35 FRONT MASTER CYLINDER 2



REF. NO.	PART NO.	DESCRIPTION	QTY	REMARKS
1	4FM W2845-00	MASTER CYLINDER SUB ASSY	1	
2	3GM W0099-00	-CYLINDER KIT MASTER (CLUTCH)	1	
3	3GM 26464-00	.ROD, PUSH	1	
4	3GM 26465-00	.BUSH	1	
5	93210 15620	.O-RING	1	
6	2VN 26866-00	-CIRCLIP	1	
7	3FV 2588A-00	-COVER, DUST	1	
8	3GK 25854-50	DIAPHRAGM, RESERVOIR	1	
9	4FM 25852-00	CAP, RESERVOIR	1	
10	3GK 25855-50	BUSH, DIAPHRAGM	1	
11	4FM 83912-01	LEVER 1	1	
12	3FV 2589F-00	BOLT, LEVER	1	
13	95706-06500	NUT, FLANGE	1	
14	3GM 83980-00	FRONT STOP SWITCH ASSY	1	
15	98706-04016	SCREW, FLAT HEAD	1	
16	95037-06025	BOLT, FLANGE	2	
17	4FM 2589A-00	TANK, RESERVOIR	1	
18	56A 25867-00	BRACKET, MASTER CYLINDER	1	
19	3PA 24356-00	CLIP, PIPE 1	2	
20	4FM 2585F-00	HOSE	1	
21	4FM 26296-00	BRACKET	1	
22	91317-06012	BOLT	2	
23	4FM 26475-00	HOLDER	1	
24	98507-04008	SCREW, PAN HEAD	1	
25	3GM 26470-A0	HOSE, CLUTCH	1	
26	90401-10159	BOLT, UNION	2	
27	90201-10116	WASHER, PLATE	4	

E9

4-00000 3384

FIG. 36 STAND • FOOTREST

REF. NO.	PART NO.	DESCRIPTION	QTY	REMARKS
1	AFM 27311-00	STAND, SIDE	1	
2	AFM 27321-00	BRACKET, SIDE STAND	1	
3	90110-08155	BOLT, HEXAGON SOCKET HEAD	2	
4	90109-104E6	BOLT	1	
5	90185-10037	NUT, SELF-LOCKING	1	
6	90506-18224	SPRING, TENSION	1	
7	90506-26225	SPRING, TENSION	1	
8	AFM 27315-00	LINK, SIDE *TAND	1	
9	1TX 27351-00	GUIDE, SIDE STAND	1	
10	AFM 27410-00	FRONT FOOTREST ASSY (LEFT)	1	
11	ZCH 27413-00	-COVER, FOOTREST	1	
12	90157-05079	-SCREW, PAN HEAD	3	
13	AFM 27471-00	-BAR, FOOTREST 1	1	
14	AFM 27435-00	-BOLT	1	
15	AFM 27420-00	FRONT FOOTREST ASSY (RIGHT)	1	
16	ZCH 27413-00	-COVER, FOOTREST	1	
17	90157-05079	-SCREW, PAN HEAD	3	
18	AFM 27471-00	-BAR, FOOTREST 1	1	
19	AFM 27435-00	-BOLT	1	
20	AFM 27442-00	BRACKET 2	1	
21	AFM 27443-00	BRACKET 3	1	
22	ABP 27434-01	BOLT	1	
23	90201-08326	WASHER, PLATE	1	
24	90201-127J6	WASHER, PLATE	1	
25	90172-10668	NUT	2	
26	90506-20377	SPRING TENSION	1	
27	90446-17346	HOSE	1	
28	90110-08231	BOLT, HEXAGON SOCKET HEAD	4	

E10

FIG. 36 STAND • FOOTREST

REF. NO.	PART NO.	DESCRIPTION	QTY	REMARKS
29	4FM 21446-00	STAY MUFFLER 1	1	
30	99817-08020	BOLT FLANGE	1	
31	90106-10217	BOLT WASHER BASED	1	

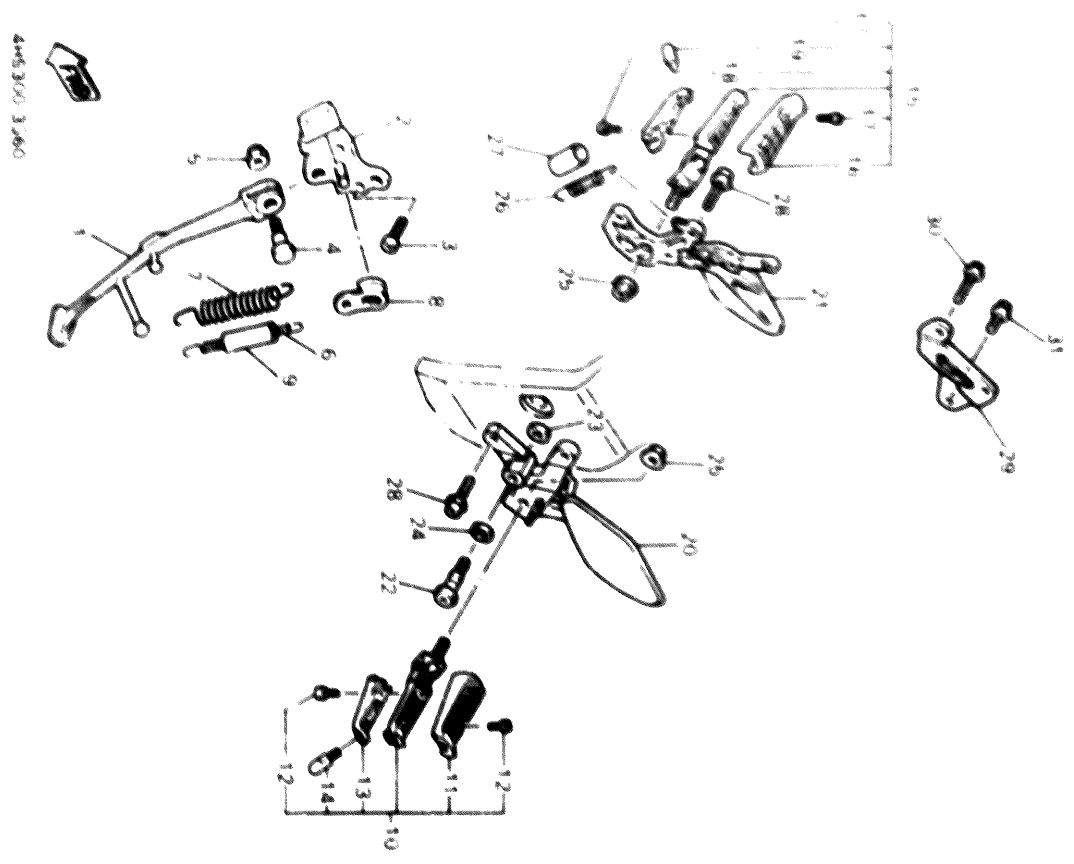
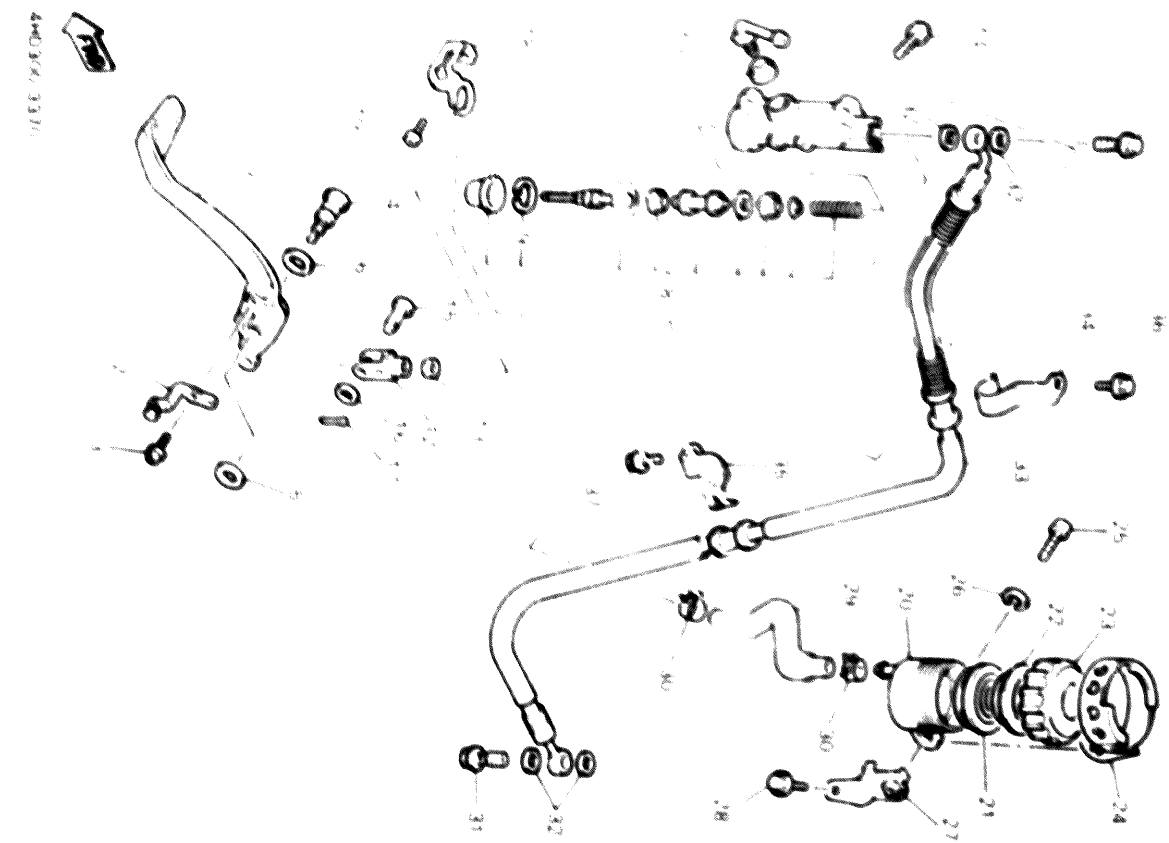


FIG. 37 REAR MASTER CYLINDER

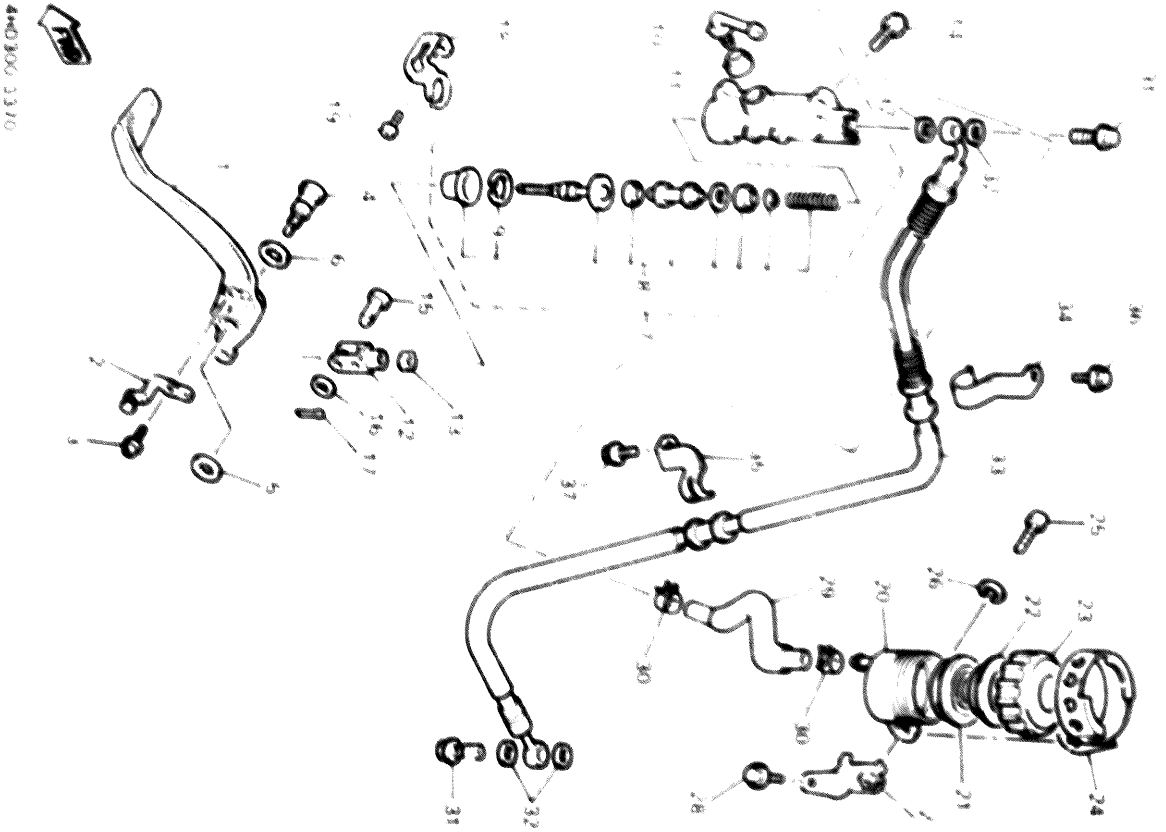


REF. NO.	PART NO.	DESCRIPTION	Q'TY	REMARKS
1	4FM-27211-00	PEDAL BRAKE	1	
2	4FM-27254-00	HOOK	1	
3	90159-06046	SCREW, WITH WASHER	1	
4	3VF-27261-00	SHAFT	1	
5	90201-104R2	WASHER, PLATE	1	
6	90206-14086	WASHER, WAVE	1	
7	4BH-2583V-00	RR MASTER CYLINDER ASSY	1	
8	4BH-W0042-50	.CYLINDER KIT, MASTER	1	
9	3LN-2585G-00	.CIRCLIP	1	
10	4BP-2562A-00	.JOINT	1	
11	4BP-2585F-00	.BUSH	1	
12	4FM-27222-00	JOINT	1	
13	95307-06700	NUT	1	
14	92017-08020	SCREW	2	
15	90240-08124	PIN, CLEVIS	1	
16	90201-08063	WASHER, PLATE	1	
17	91490-20025	PIN, COTTER	1	
18	4FM-2144G-00	STAY, STOP SWITCH	1	
19	96507-06010	SCREW, PAN HEAD	1	
20	31A-25894-01	TANK, RESERVOIR	1	
21	360-25854-00	DIAPHRAGM, RESERVOIR	1	
22	2GU-25855-00	BUSH, DIAPHRAGM	1	
23	2KF-25852-56	CAP, RESERVOIR	1	
24	3PJ-25888-00	COVER, RESERVOIR TANK	1	
25	96507-06020	SCREW, PAN HEAD	1	
26	92907-06100	WASHER	1	
27	4FM-2133G-00	BRACKET, RESERVOIR	1	
28	95617-06016	BOLT, FLANGE	1	

E12

440354/337

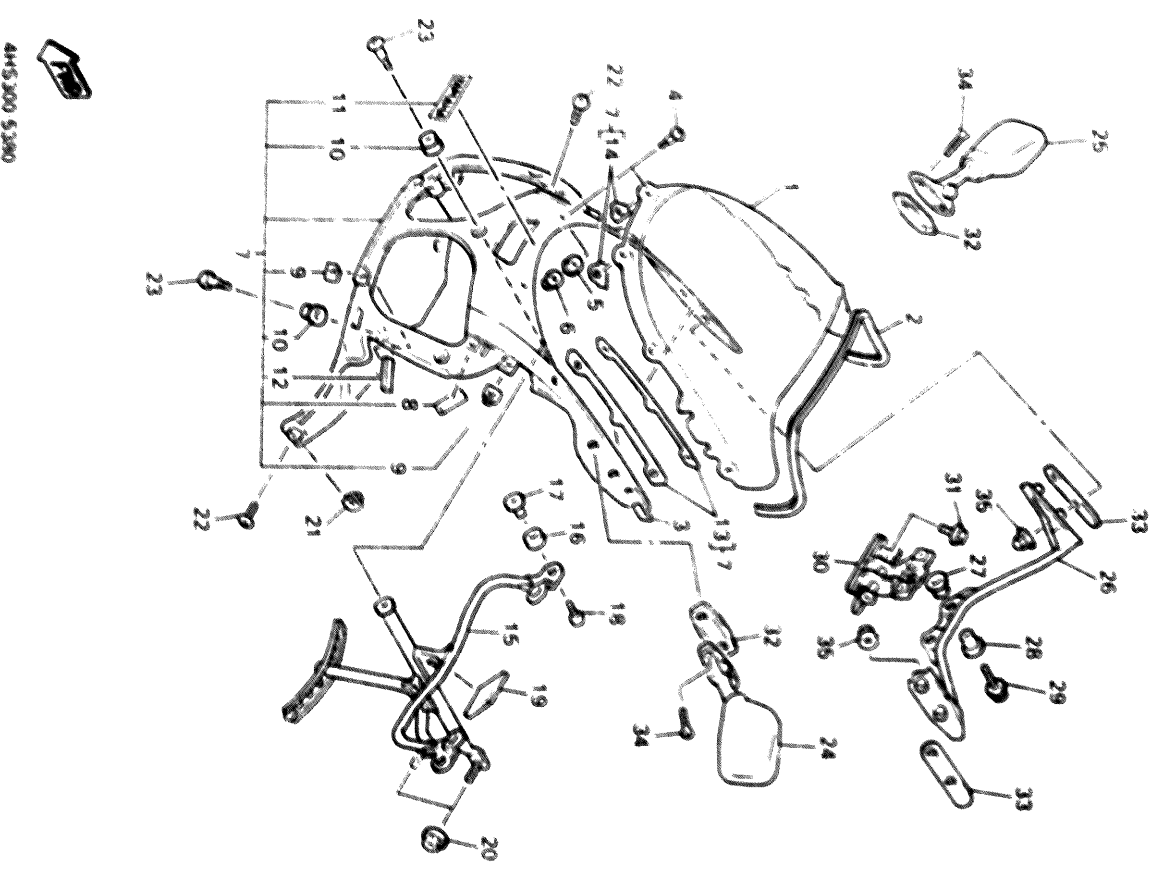
FIG. 37 REAR MASTER CYLINDER



REF. NO.	PART NO.	DESCRIPTION	QTY	REMARKS
29	4FM 25895-00	HOSE, RESERVOIR	1	
30	90467-14057	CLIP	2	
31	90401-10159	BOLT, UNION	2	
32	90201-10118	WASHER, PLATE	4	
33	4FM 25874-01	HOSE, BRAKE	1	
34	4FM 25875-00	HOLDER, BRAKE HOSE 1	1	
35	4FM 25876-00	HOLDER, BRAKE HOSE 2	1	
36	95027-09016	BOLT, FLANGE	1	
37	95027-09008	BOLT, FLANGE	1	

E13

FIG. 38 COWLING 1

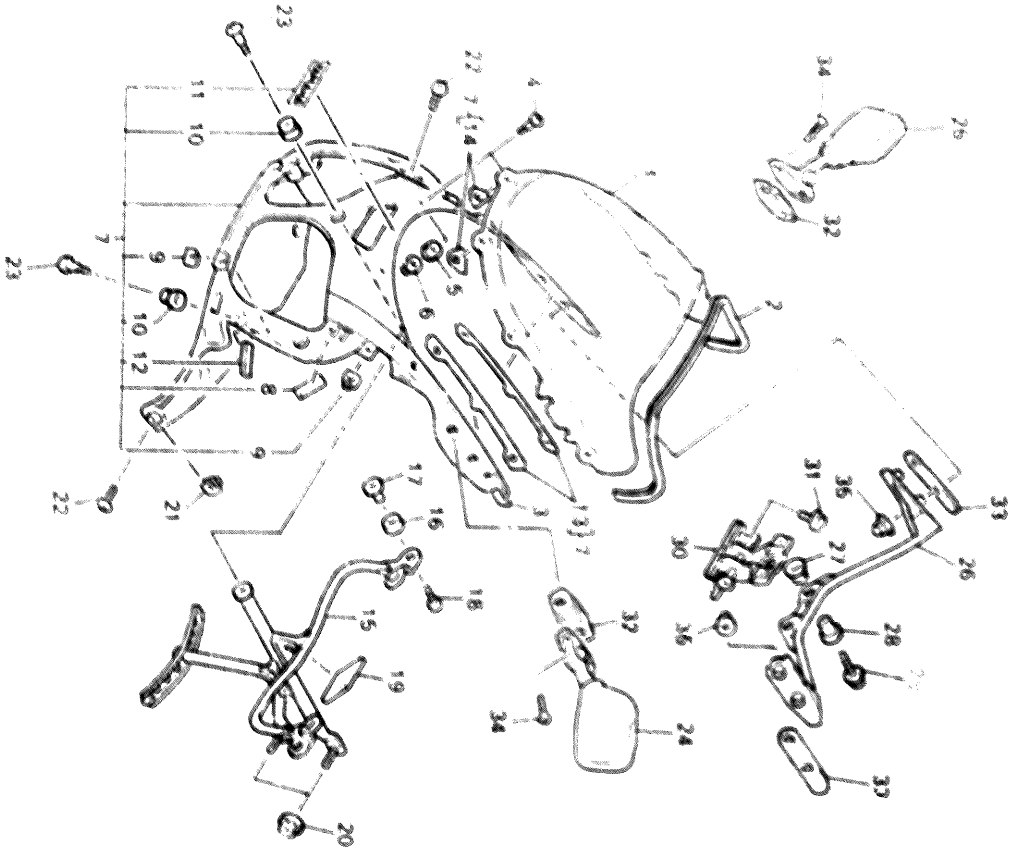


REF. NO.	PART NO.	DESCRIPTION	QTY	REMARKS
1	4FM 28381-10	WINDSHIELD	1	
2	4FM 28346-00	MOLE 1	1	
3	4FM 28344-00	TAPE	2	
4	90149-05273	SCREW	6	
5	4FM 28215-00	WASHER, SPECIAL	6	
6	95707-05600	NUT, FLANGE	6	
7	4FM Y2835-30-48	COWLING ASSY	1	BLACK 2
8	89X 77167-00	*TRIM 3	2	
9	90183-05024	*NUT, SPRING	6	
10	90480-13398	*GROMMET	3	
11	99Z26-00100	*EMBLEM, YAMAHA	1	
12	3MA 21649-00	*DAMPER	2	
13	4FM 2834V-00	*PROTECTOR 1	2	
14	4FM 2834W-00	*PROTECTOR 2	2	
15	4FM 28356-00	STAY 1	1	
16	90480-13163	GROMMET	2	
17	90560-06201	SPACER	2	
18	97707-50016	SCREW, TAPPING	2	
19	51L-28371-00	DAMPER	1	
20	95617-06200	NUT, SELF-LOCKING	2	
21	90183-05024	NUT, SPRING	2	
22	90150-05039	SCREW, ROUND HEAD	8	
23	90150-08036	SCREW, ROUND HEAD	3	
24	4FM 28290-10	REAR VIEW MIRROR ASSY (LEFT)	1	BLACK
25	4FM 28290-10	REAR VIEW MIRROR ASSY (RIGHT)	1	BLACK
26	4FM 2831W-00	STAY, MIRROR 1	1	
27	90480-13398	GROMMET	2	
28	90387-067N6	COLLAR	2	

E14

4HS300 S380

FIG. 38 COWLING 1

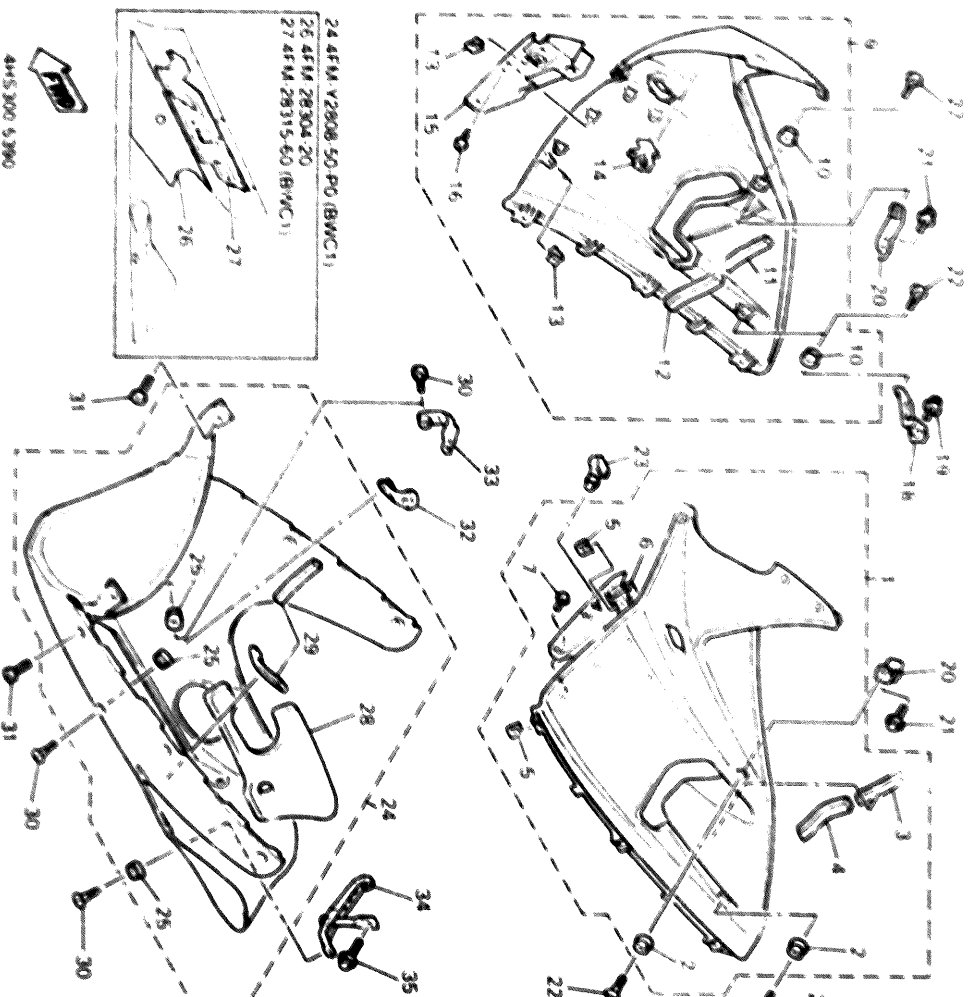
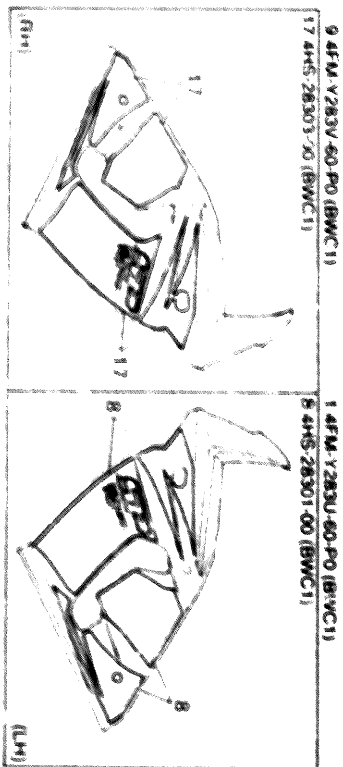


REF. NO.	PART NO.	DESCRIPTION	Q'TY	REMARKS
29	99027-09016	BOLT, FLANGE	2	
30	4FM 2637W-00	STAY, MIRROR 2	1	
31	99027-09012	BOLT, FLANGE	2	
32	4FM 26399-00	PLATE, MIRROR FITTING 2	2	
33	3XV 26298-00	PLATE, MIRROR FITTING 1	2	
34	99707-09025	SCREW, FLAT HEAD	4	
35	90176-00055	NUT, CROWN	4	

4445 3000 5380

E15

FIG. 39 COWLING 2



44S 300 5390

REF. NO.	PART NO.	DESCRIPTION	QTY	REMARKS
1	AFM V283U-60-P0	PANEL ASSEMBLY 1	1	BLUSH WHITE COCKTAIL 1
2	90480-13398	.GROMMET	2	
3	8V7-21961-00	.PATCH 1	1	
4	AFM 28371-10	.DAMPER	1	
5	90183-06024	.NUT, SPRING	5	
6	AFM 2838K-00	.PANEL, INNER 1	1	
7	97707-40014	.SCREW, TAPPING	4	
8	AHS 28301-00	.GRAPHIC SET, LOWER COVER 1	1	
9	AFM V283V-60-P0	PANEL ASSEMBLY 2	1	BLUSH WHITE COCKTAIL 1
10	90480-13398	.GROMMET	2	
11	8V7-21961-00	.PATCH 1	1	
12	AFM 28371-10	.DAMPER	1	
13	90183-05024	.NUT, SPRING	5	
14	90464-25160	.CLAMP	1	
15	AFM 2836L-30	.PANEL, INNER 2	1	
16	97707-40014	.SCREW, TAPPING	4	
17	AHS 28303-20	.GRAPHIC SET, LOWER COVER 2	1	
18	AFM 28J22-00	STAY 2	1	
19	95807-06010	BOLT, FLANGE	1	
20	AFM 2838H-00	BRACKET 5	2	
21	95817-06012	BOLT, FLANGE	2	
22	90150-06036	SCREW, ROUND HEAD	4	
23	1AB-21518-00	HOLDER, CABLE	1	
24	AFM V2808-50-P0	COVER ASSY, UNDER	1	BLUSH WHITE COCKTAIL 1
25	90480-13398	.GROMMET	4	
26	AFM 28304-20	.GRAPHIC SET, LOWER COVER 3	1	
27	AFM 28315-60	.EMBLEM	2	
28	AFM 2848K-10	.SEAT 2	1	

F2

9 4FM V283V-60-PQ (BWC1)

17 4HS 28303-00 (BWC1)

1 4FM V283U-60-PQ (BWC1)

8 4HS 28301-00 (BWC1)

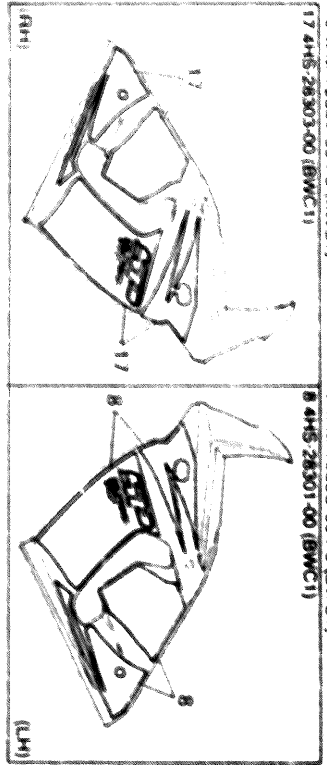
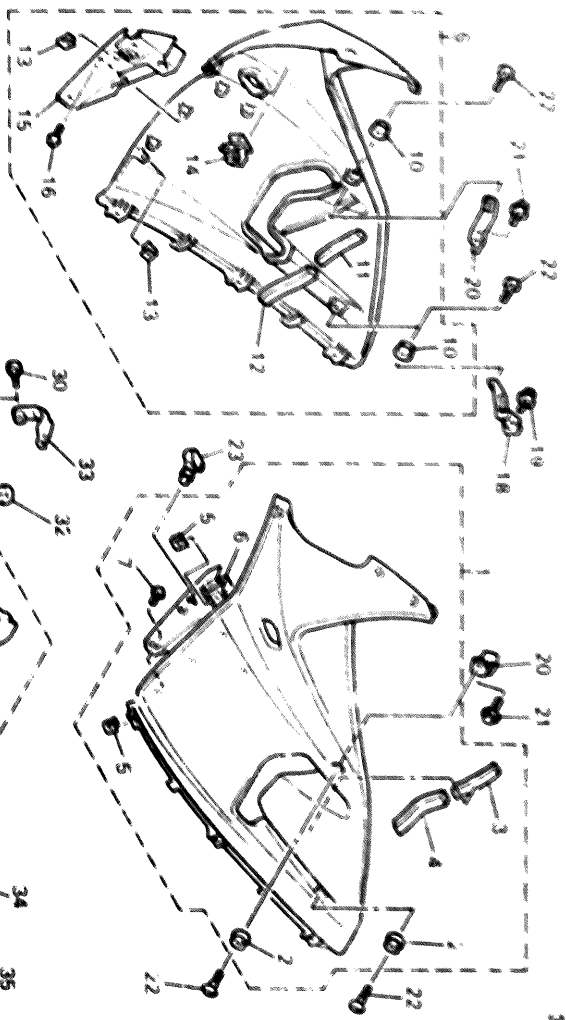


FIG. 39 COWLING 2

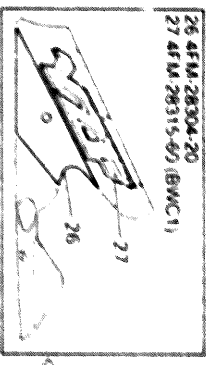
REF. NO.	PART NO.	DESCRIPTION	Q-TY	REMARKS
29	8V7-21961-00	PATCH 1	2	
30	90150-06036	SCREW, ROUND HEAD	4	
31	90150-06039	SCREW, RC JND HEAD	8	
32	4FM 2836F-00	BRACKET 3	1	
33	4FM 2836G-00	BRACKET 4	1	
34	4FM 2831T-00	STAY, SUPPORT 1	1	
35	90119-06018	BOLT, WITH WASHER	1	



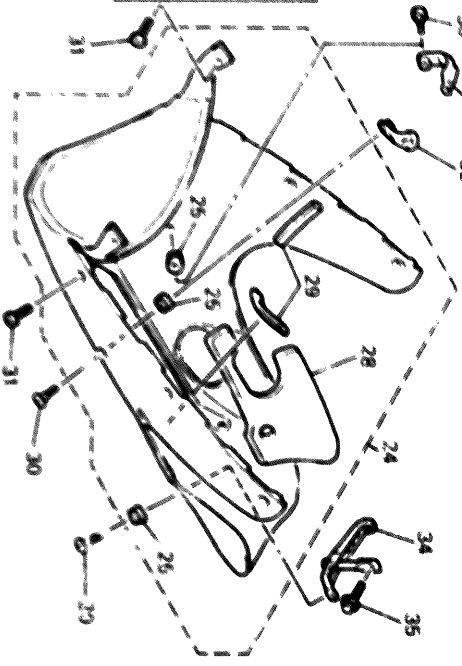
24 4FM V2828-50-PQ (BWC1)

26 4FM 28304-20

27 4FM 28315-60 (BWC1)

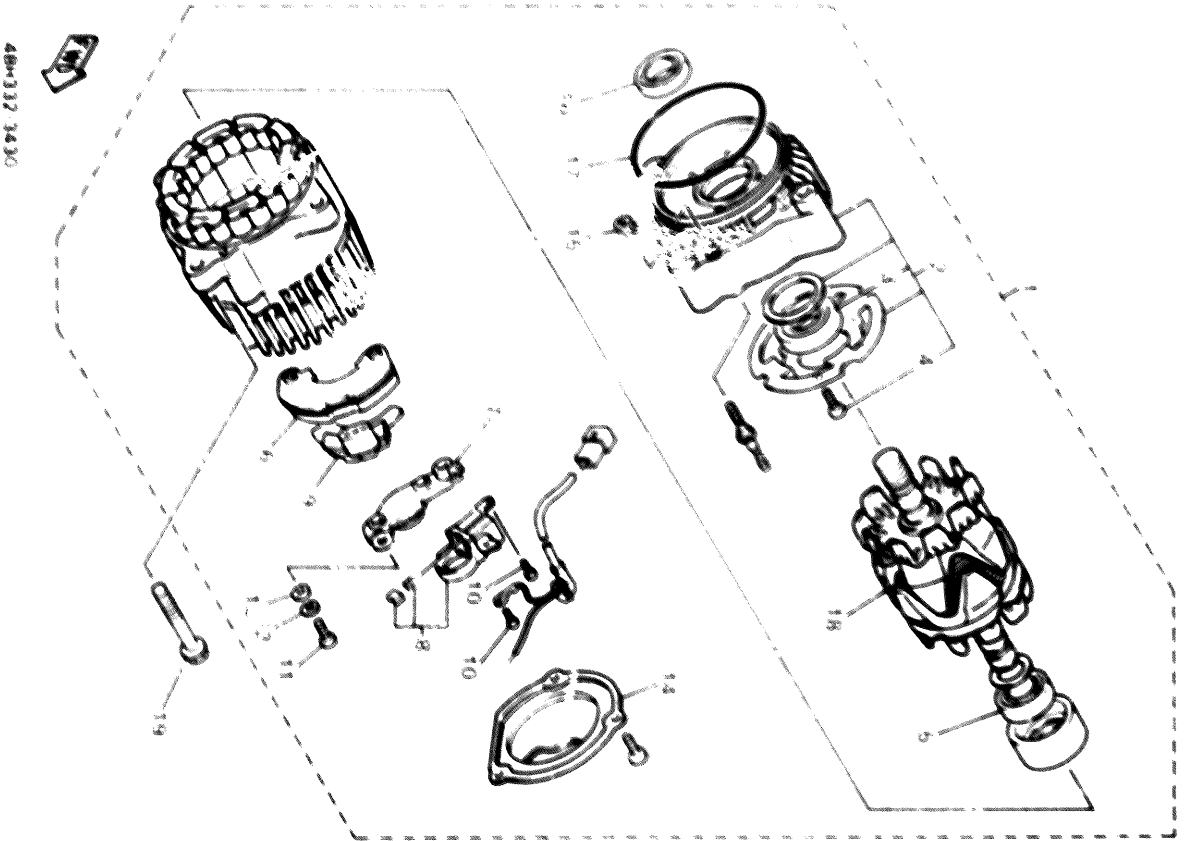


4HS300 5390



F3

FIG. 40 GENERATOR



REF. NO.	PART NO.	DESCRIPTION	Q'TY	REMARKS
1	48H-81600-00	A.C. GENERATOR ASSY	1	
2	48H-81634-00	.STATOR ASSY	1	
3	48H-81643-00	..BEARING	1	
4	48H-81645-00	..SCREW	4	
5	48H-81643-10	..BEARING	1	
6	48H-81970-00	..RECTIFIER ASSY	1	
7	36V-81910-50	..VOLTAGE REGULATOR ASSY	1	
8	3FV-81619-00	..BRUSH HOLDER ASSY	1	
9	48H-81972-00	..COVER, ..RECTIFIER	1	
10	3FV-81645-00	..SCREW	2	
11	96507-05018	..SCREW, PAN HEAD	3	
12	92901-05100	..WASHER SPRING	3	
13	92990-05600	..WASHER, PLATE	3	
14	48H-81604-00	..COVER ASSY	1	
15	95707-05500	..NUT, FLANGE	2	
16	36V-81638-50	..OIL SEAL	1	
17	2KT-81642-50	..O-RING	1	
18	48H-81660-00	..ROTOR ASSY	1	
19	95817-08065	..BOLT, FLANGE	3	

FIG. 41 PICK UP COIL • GOVERNOR

REF. NO.	PART NO	DESCRIPTION	Q'TY	REMARKS
1	3GM 81670-00	PICK UP ASSY	1	
2	93210 19216	O-RING	1	
3	94027 06012	BOLT, FLANGE	1	

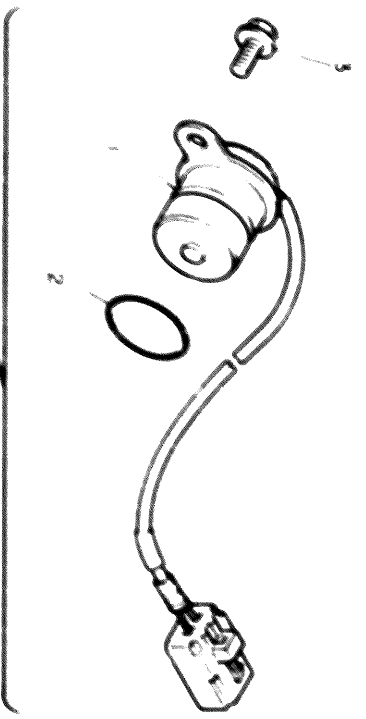
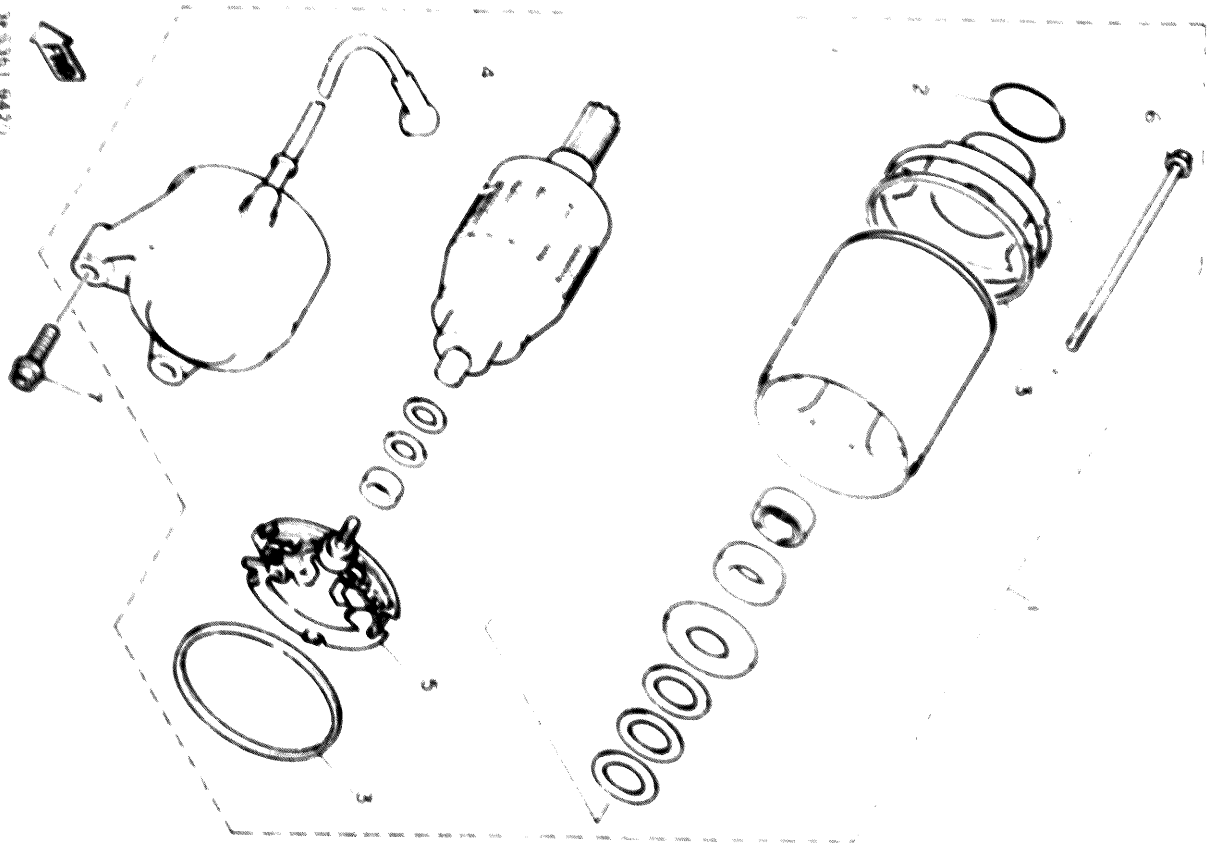


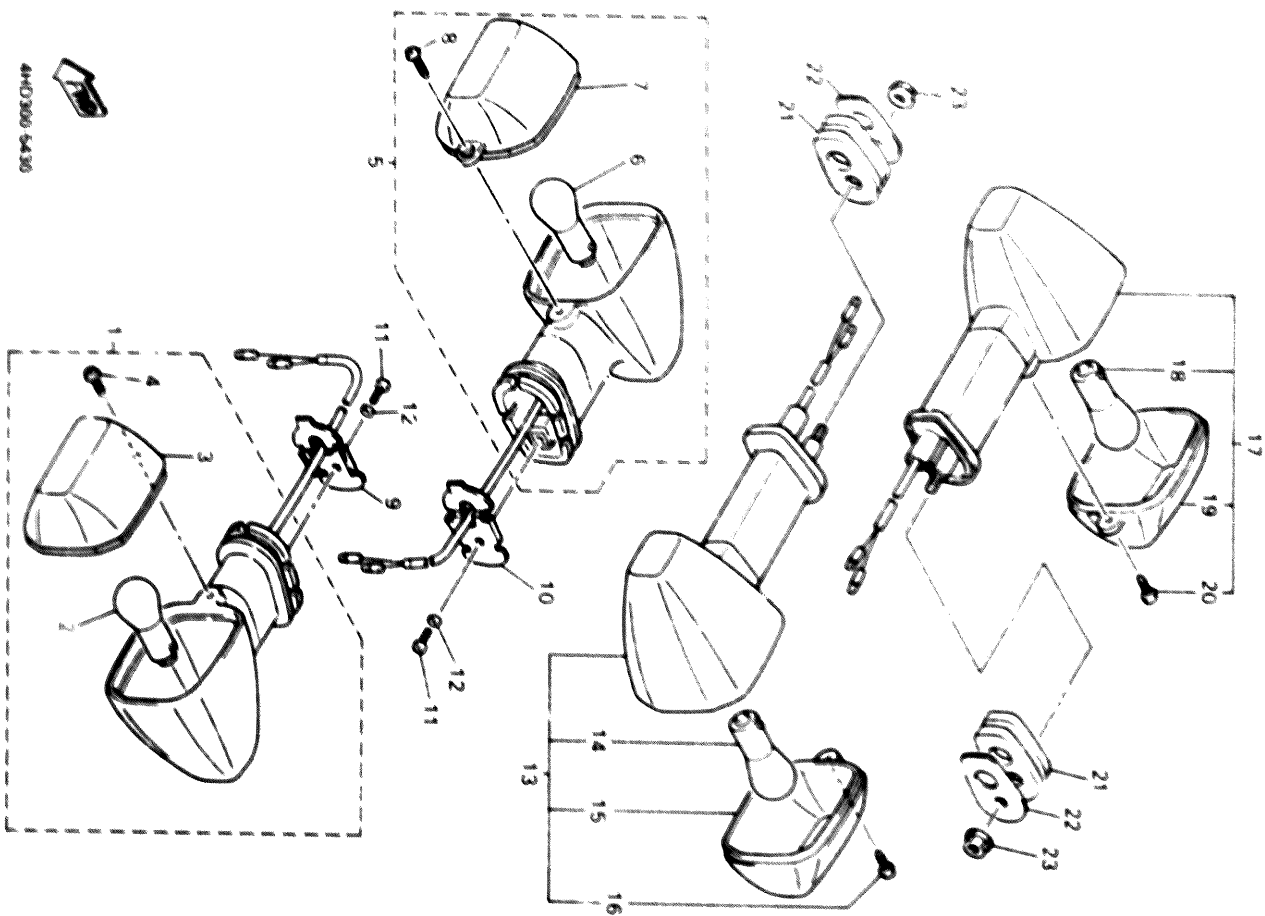
FIG. 42 STARTING MOTOR

REF. NO.	PART NO.	DESCRIPTION	QTY	REMARKS
1	3XF-81800-00	STARTING MOTOR ASSY	1	
2	2BH-81847-00	O-RING	1	
3	11H-81844-00	GASKET	2	
4	2KT-81815-00	CORD, STARTER MOTOR	1	
5	3KS-81840-00	BRUSH HOLDER ASSY	1	
6	3HE-81826-00	BOLT	2	
7	95827-00025	BOLT, FLANGE	2	



F6

FIG. 43 FLASHER LIGHT

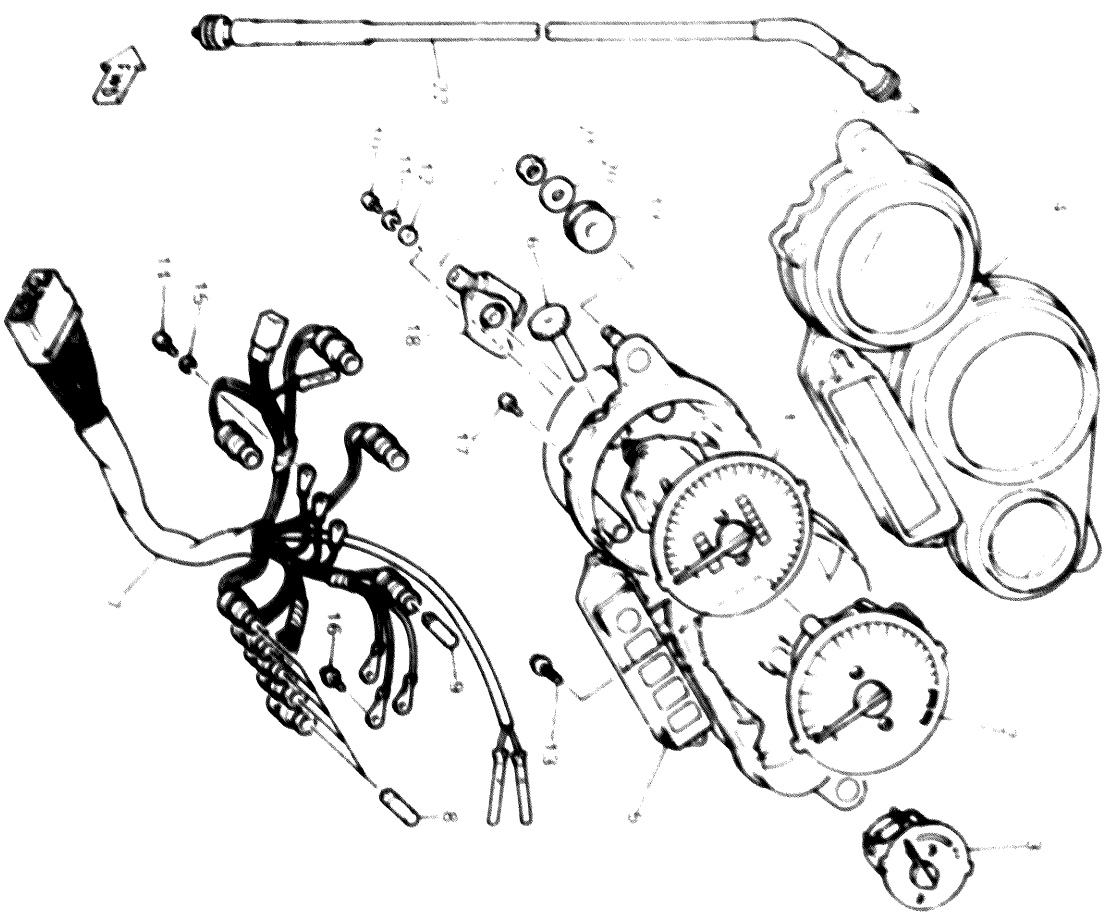


REF. NO.	PART NO.	DESCRIPTION	Q'TY	REMARKS
1	4JH-83310-00	FRONT FLASHER LIGHT ASSY 1	1	
2	306-83311-40	.BULB, FLASHER (12V/21W)	1	
3	4JH-83332-00	.LENS, FLASHER	1	
4	97702-40610	.SCREW, TAPPING	1	
5	4JH-83320-00	FRONT FLASHER LIGHT ASSY 2	1	
6	306-83311-40	.BULB, FLASHER (12V/21W)	1	
7	4JH-83342-00	.LENS, FLASHER 2	1	
8	97702-40610	.SCREW, TAPPING	1	
9	4JH-83318-10	STAY, FLASHER 1	1	
10	4JH-83318-00	STAY, FLASHER 1	1	
11	98507-04008	SCREW, PAN HEAD	2	
12	92907-04600	WASHER	2	
13	4JH-83330-00	REAR FLASHER LIGHT ASSY 1	1	
14	306-83311-40	.BULB, FLASHER (12V/21W)	1	
15	4JH-83332-00	.LENS, FLASHER	1	
16	97702-40610	.SCREW, TAPPING	1	
17	4JH-83340-00	.FLASHER LIGHT ASSY 2	1	
18	306-83311-40	.BULB, FLASHER (12V/21W)	1	
19	4JH-83342-00	.LENS, FLASHER 2	1	
20	97702-40610	.SCREW, TAPPING	1	
21	4FM-33345-00	PLUG, BLIND	2	
22	4FM-83389-00	STAY, FLASHER 2	2	
23	95707-06500	NUT, FLANGE	2	

440700 0430



FIG. 44 METER

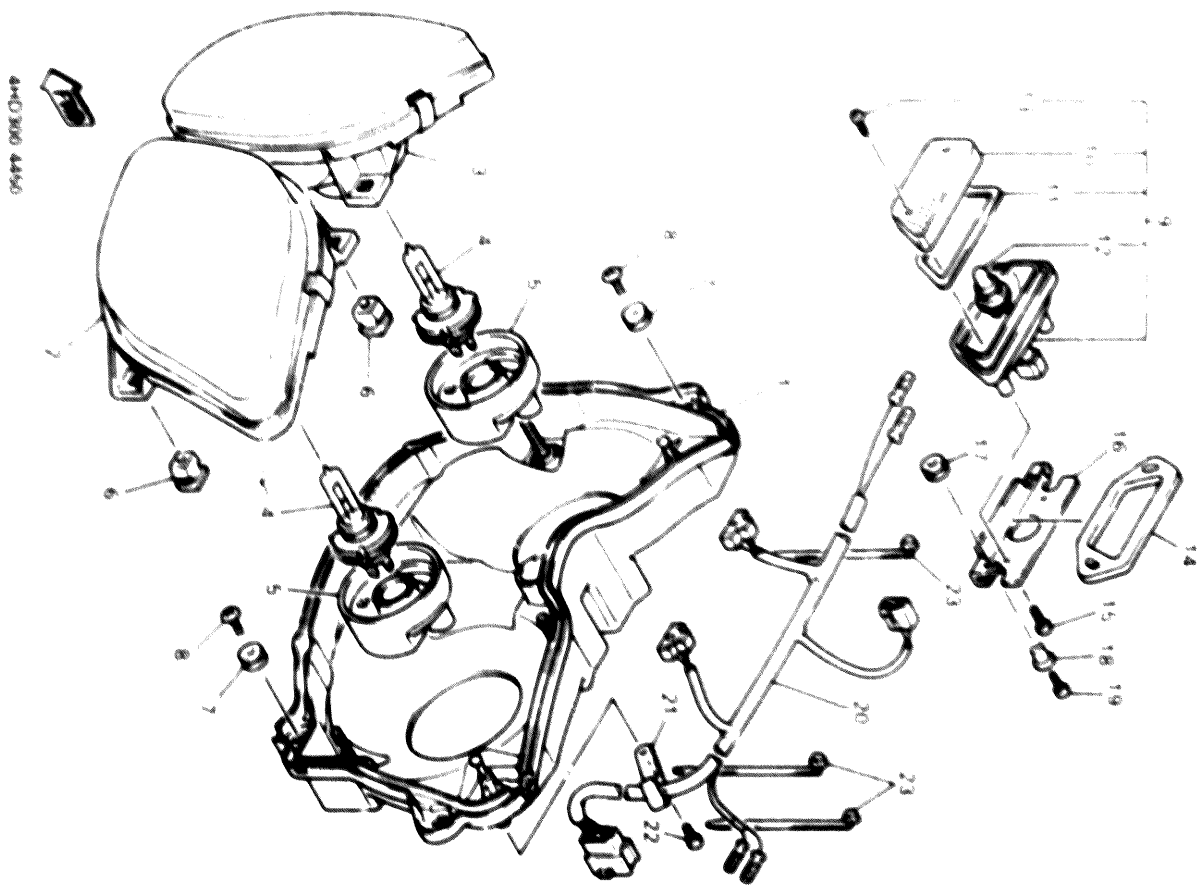


REF NO.	PART NO.	DESCRIPTION	QTY	REMARKS
1	4FM 83570-00	SPEEDOMETER ASSY	1	
2	4FM 83540-00	TACHOMETER ASSY	1	
3	4FM 83590-00	WATER TEMPERATURE ASSY	1	
4	4FM 83559-00	COVER METER	1	
5	4FM 83534-40	CASE, UNDER	1	
6	7QH 83578-00	KNOB, TRIP METER	1	
7	4FM 83609-80	SOCKET CORD ASSY	1	
8	4Q1 84744-00	BULB (12V 3.4W)	5	
9	7GV 83617-00	BULB (12V 17W 76 S)	4	
10	98507 04010	SCREW, PAN HEAD	4	
11	92907 04100	WASHER	4	
12	92907 04600	WASHER	4	
13	97902 04122	SCREW, WITH WASHER	2	
14	98507 03010	SCREW, PAN HEAD	3	
15	92990 03100	WASHER, SPRING	3	
16	90159-03102	SCREW, WITH WASHER	3	
17	90164 04023	SCREW, TAPPING	5	
18	4FM 83520-00	SOCKET CORD ASSY	1	
19	5J0 83513-00	DAMPER	2	
20	90201-06059	WASHER, PLATE	2	
21	95307-06600	NUT	2	
22	4FM 83550-01	SPEEDOMETER CABLE ASSY	1	

440300 3449

F8

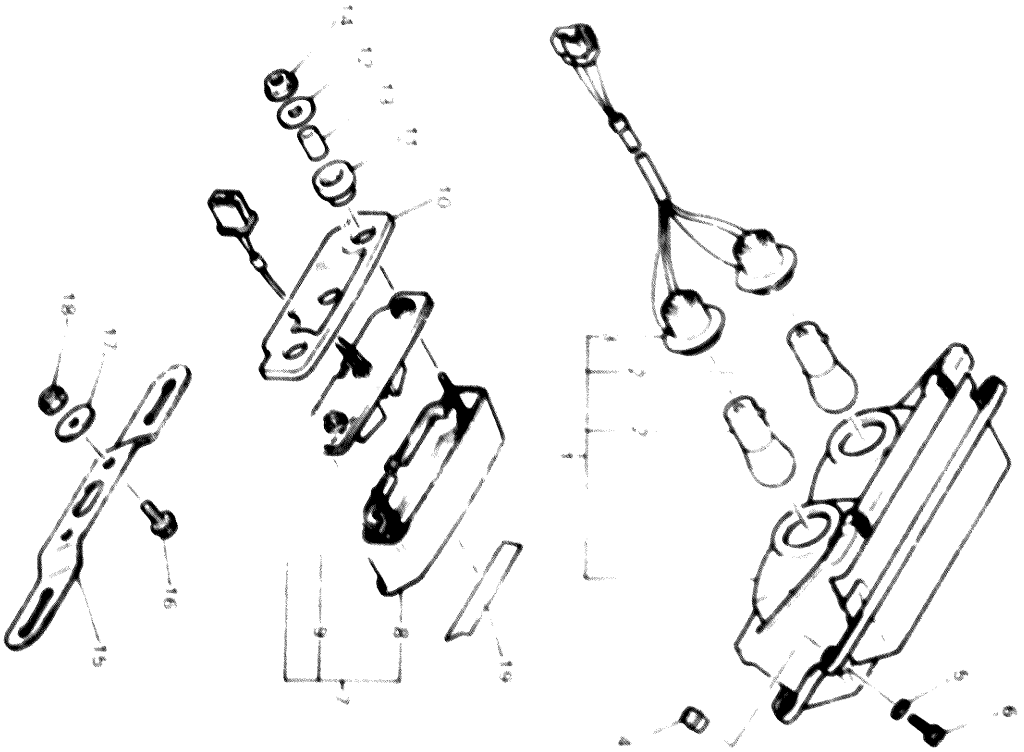
FIG. 45 HEADLIGHT



REF. NO.	PART NO.	DESCRIPTION	QTY	REMARKS
1	4FM 84330 41	BODY ASSY	1	
2	4FM 84320 10	LENS ASSY	1	
3	4FM 8432A 10	LENS ASSY	1	
4	2F9 84314 00	BULB (12V 60/55W)	2	(H4) HALOGEN
5	4JG 84397 00	COVER SOCKET	2	
6	51L 84334 00	NUT ADJUSTING	4	
7	90480 10584	GROMMET	4	
8	97007 60014	SCREW TAPPING	4	
9	3GM 84301 00	PH. OT LIGHT ASSY 1	1	
10	3GM 84321 00	LENS ASSY	1	
11	3GM 84322 00	GASKET LENS	1	
12	2JE 84744 00	BULB (12V 5W)	1	
13	3GM 84192 00	SCREW (M4, L.12)	2	
14	3GM 84367 50	DAMPER, HEADLIGHT 2	1	
15	97707 50012	SCREW TAPPING	2	
16	3GM 84318 00	STAY SETTING	1	
17	90480 10517	GROMMET	2	
18	90387 052U5	COLLAR	2	
19	90167 05037	SCREW TAPPING	2	
20	4FM 84359 20	CORD HEADLIGHT	1	
21	90462 05061	CLAMP	1	
22	97707 50012	SCREW TAPPING	1	
23	90464 13073	CLAMP	3	

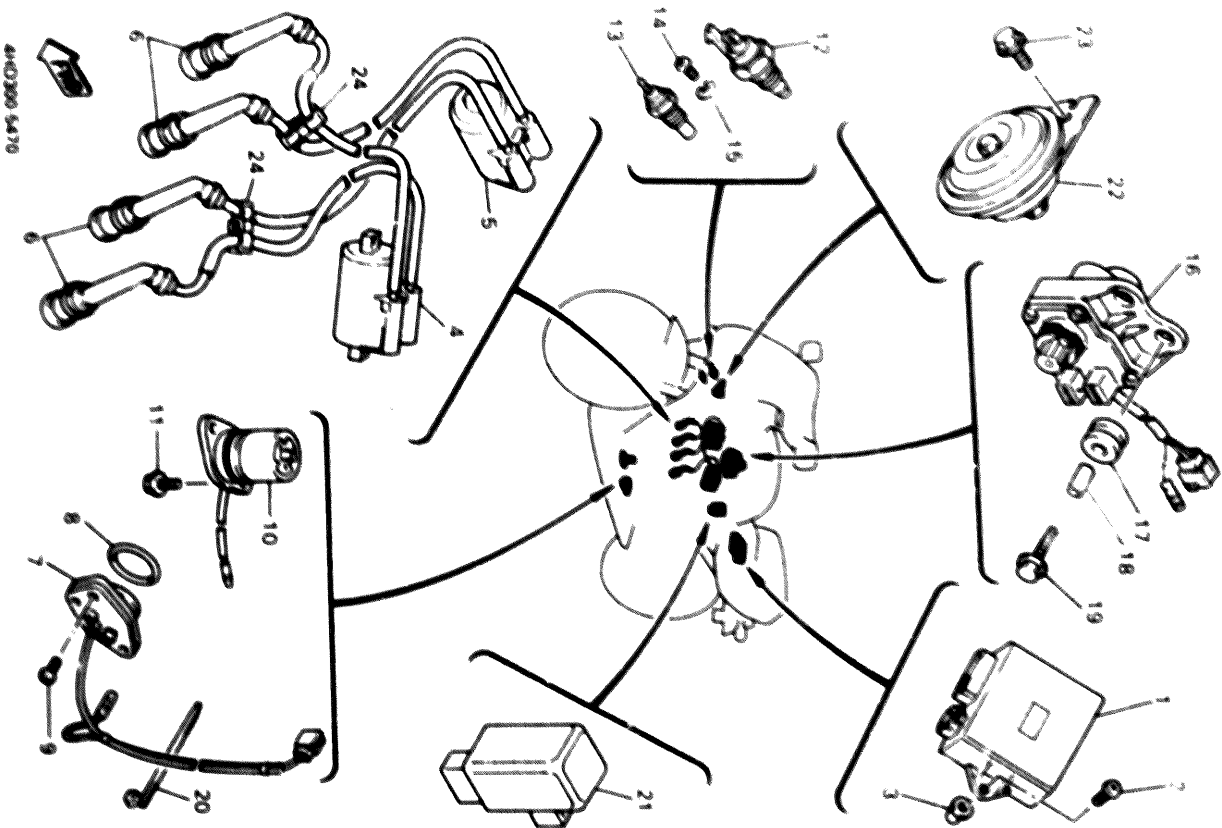
FIG. 46 TAILLIGHT

REF. NO.	PART NO.	DESCRIPTION	Q'TY	REMARKS
1	4FM 84710-00	TAILLIGHT UNIT ASSY	1	
2	31L 84714-00	•BULB, TAILLIGHT (12V/21/SW)	2	
3	4FM 84735-00	•CORD ASSY	1	
4	90179-056, J	NUT	4	
5	92907-05600	WASHER	4	
6	90110-05112	BOLT, HEXAGON SOCKET HEAD	4	
	4FM 84745-00	LICENCE LIGHT UNIT ASSY	1	
4	4FM 84749-00	•BODY, LICENCE LIGHT	1	
9	2LE 84744-00	•BULB (12V/SW)	2	
10	3F9 84742-00	SEAT BASE	1	
11	3F9 84553-00	DAMPER	2	
12	90201-05033	WASHER, PLATE	2	
13	90387-05241	COLLAR	2	
14	95787-05500	NUT, FLANGE	2	
15	3YF 84751-00	BRACKET, LICENSE	1	
16	95027-06014	BOLT, FLANGE	2	
17	90201-06059	WASHER, PLATE	2	
18	95507-06100	NUT, U	2	
19	99236-00090	EMBLEM, YAMAHA	1	



440300 3480

FIG. 47 ELECTRICAL 1

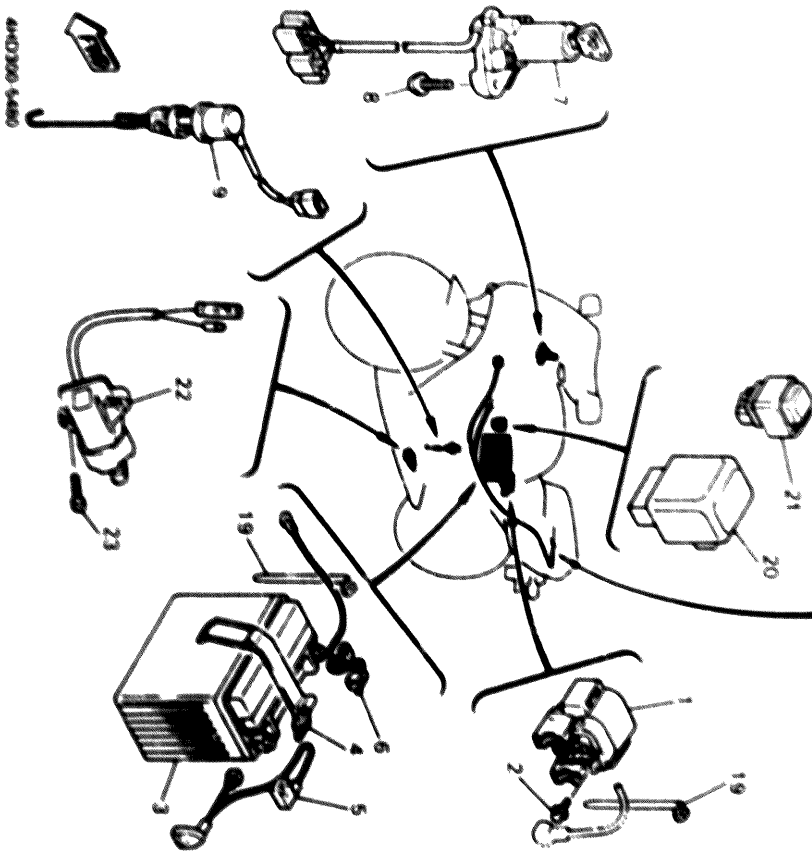
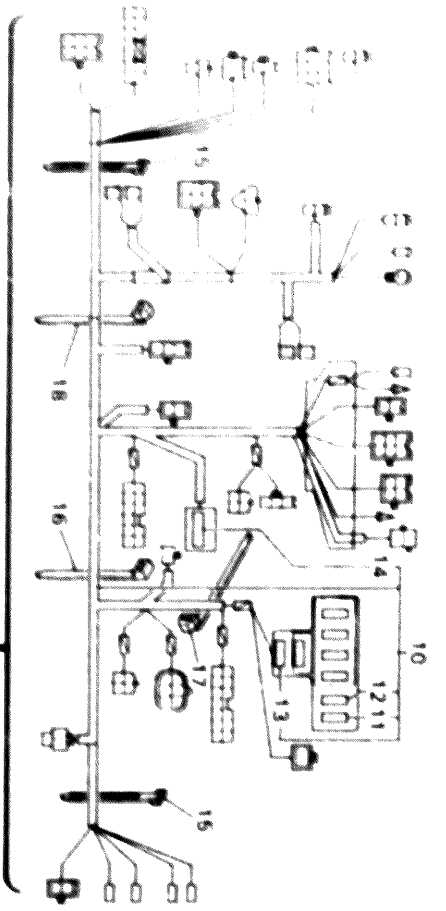


REF. NO.	PART NO.	DESCRIPTION	QTY	REMARKS
1	4HS 82305 10	IGNITOR UNIT ASSY	1	
2	97707 60016	SCREW, TAPPING	2	
3	90338 08226	PLUG	2	
4	4FM 82310 00	IGNITION COIL ASSY	1	
5	4FM 82320 00	IGNITION COIL ASSY	1	
6	2KT 82370 00	PLUG CAP ASSY	4	
7	92112 82140 00	NEUTRAL SWITCH ASSY	1	
8	93210 29196	O RING	1	
9	98507 08016	SCREW, PAN HEAD	2	
10	3GM 85720 00	OIL LEVEL GAUGE ASSY	1	
11	94027 08014	BOLT, FLANGE	2	
12	3LN 82560 00	THERMO SWITCH ASSY	1	
13	11H 83991 00	THERMO UNIT	1	
14	98507 05008	SCREW, PAN HEAD	1	
15	92907 05600	WASHER	1	
16	4FM 85820 00	SERVO MOTOR ASSY	1	
17	90480 14412	GROMMET	2	
18	90387 085V1	BOLT, FLANGE	2	
19	95807 08030	BOLT, FLANGE	2	
20	90464 13073	CLAMP	1	
21	3GM 83350 00	FLASHER RELAY ASSY	1	
22	4FM 83371 00	HORN	1	
23	95807 08010	BOLT, FLANGE	1	
24	50464 10186	CLAMP	2	

F-11

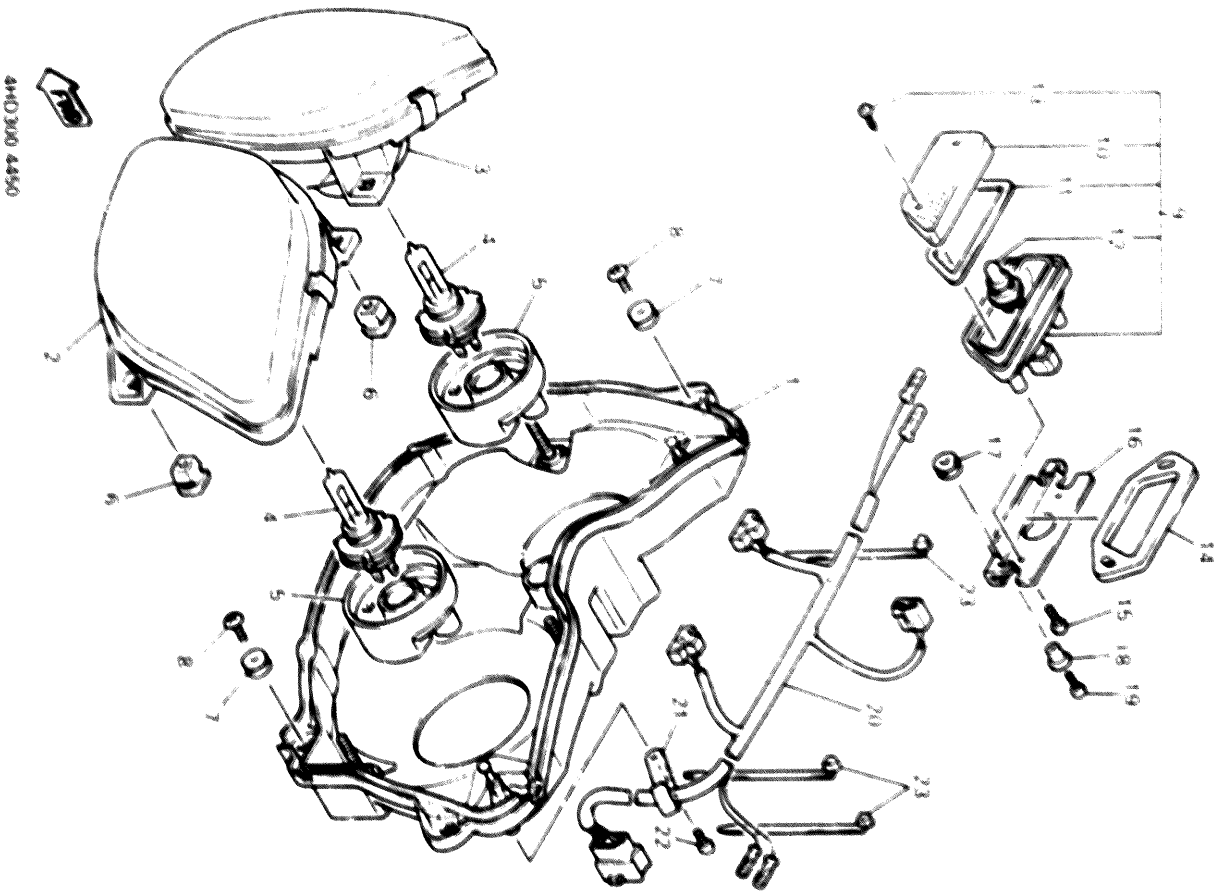
4H0300 54376

FIG. 48 ELECTRICAL 2



REF. NO.	PART NO.	DESCRIPTION	QTY	REMARKS
1	4FM 81940-00	STARTER RELAY ASSY	1	
2	95027 06006	BOLT, FLANGE	2	
3	3VD 82100-00	BATTERY ASSY (VTX12-8S)	1	
4	4BP 82131-00	BAND, BATTERY	1	
5	4FM 82115-00	WIRE, PLUS LEAD	1	
6	3FV 82116-00	WIRE, MINUS LEAD	1	
7	4JH 82501-01	MAIN SWITCH STEERING LOCK	1	
8	90109 080G5	BOLT	2	
9	1KT 82530-02	STOP SWITCH ASSY	1	
10	4FM 82580-10	WIRE HARNESS ASSY	1	
11	2KW 82151-00	FUSE (12V 7.5A)	3	
12	ZGV 82151-00	FUSE (20A)	3	
13	36V 82151-00	FUSE (12V 15A)	2	
14	4FM 82151-00	FUSE (30A)	1	
15	90464-12089	CLAMP	7	
16	90465-13355	CLAMP	2	
17	90464-13073	CLAMP	1	
18	90464-13073	CLAMP	7	
19	90464-15195	CLAMP	2	
20	3EN 81950-00	RELAY ASSY	1	
21	3GM 81950-00	RELAY ASSY	1	
22	4FM 82566-00	SWITCH, SIDE STAND	1	
23	90157 05079	SCREW, PAN HEAD	2	

FIG. 50 ALTERNATE (HEADLIGHT)



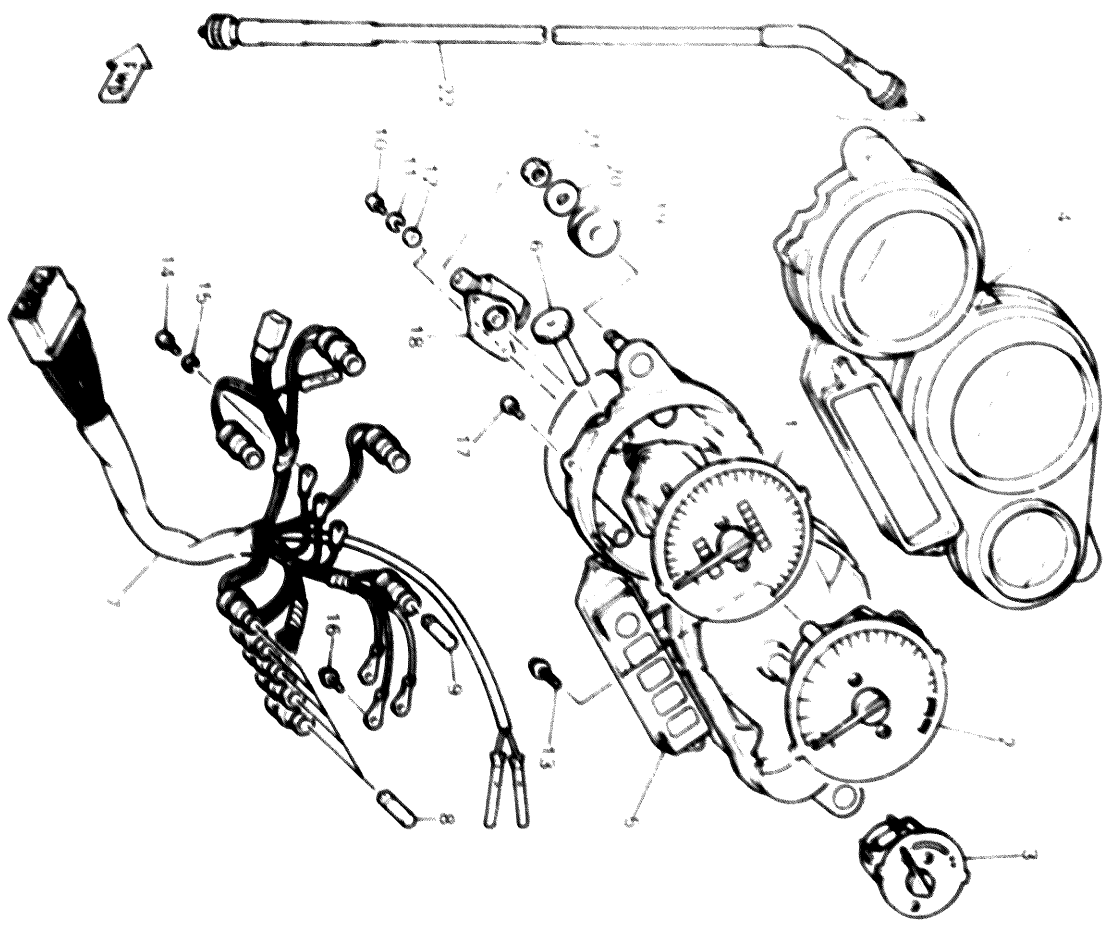
REF. NO.	PART NO.	DESCRIPTION	QTY	REMARKS
1	4FM 84330 41	BODY ASSY	1	
2	4FM 84320 10	LENS ASSY	1	
3	4FM 8432A 20	LENS ASSY	1	
4	2F9 84314 00	BULB (12V 60/55W)	2	(H) HALOGEN
5	4JG 84397 00	COVER, SOCKET	2	
6	51L 84334 00	NUT, ADJUSTING	4	
7	90480 10684	GROMMET	4	
8	97707 60014	SCREW, TAPPING	4	
9	3GM 84301 00	PILOT LIGHT ASSY 1	1	
10	3GM 84321 00	LENS ASSY	1	
11	3GM 84322 00	GASKET, LENS	1	
12	2JE 84744 00	BULB (12V 5W)	1	
13	3GM 84192 00	SCREW (M4, L=12)	2	
14	3GM 84367 50	DAMPER, HEADLIGHT 2	1	
15	97707 50012	SCREW, TAPPING	2	
16	3GM 84318 00	STAY, SETTING	1	
17	904 0 10517	GROMMET	2	
18	90387 052U5	COLLAR	2	
19	90167 09037	SCREW, TAPPING	2	
20	4FM 84359 20	CORD, HEADLIGHT	1	
21	90462 05061	CLAMP	1	
22	97707 50012	SCREW, TAPPING	1	
23	90464 13073	CLAMP	3	



FOR ENGLAND IRELAND

The following pages provides a listing of only the parts that meet the specifications peculiar to your market. For those parts not appearing in these pages, refer to the "GENERAL SPEC." section.

FIG. 51 ALTERNATE (METER)

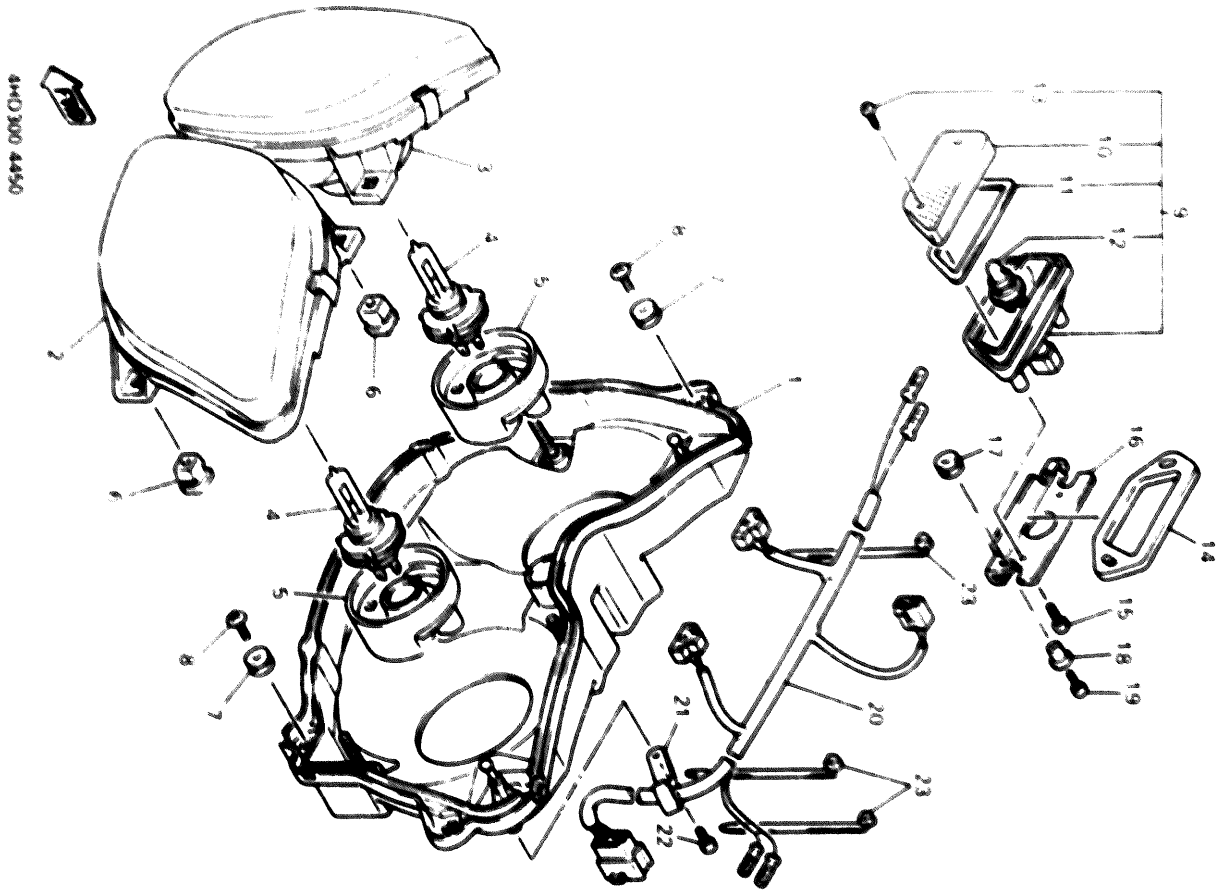


REF. NO.	PART NO.	DESCRIPTION	Q'TY	REMARKS
1	4FM 83570-10	SPEEDOMETER ASSY	1	
2	4FM 83540-00	TACHOMETER ASSY	1	
3	4FM 83560-00	WATER TEMPERATURE ASSY	1	
4	4FM 83559-00	COVER METER	1	
5	4FM 8353H-50	CASE, INNER	1	
6	ZQH 83578-00	KNOB, TRIP METER	1	
7	4FM 83509-80	SOCKET CORD ASSY	1	
8	4Q1 84744-00	BULB (12V, 3.4W)	5	
9	ZGV 83517-00	BULB (12V, 1.7W, T6.5)	4	
10	98507 04U,10	SCREW, PAN HEAD	4	
11	92907 04100	WASHER, SPRING	4	
12	92907 04600	WASHER, PLATE	4	
13	97902 04122	SCREW, WITH WASHER	2	
14	98507 03010	SCREW, PAN HEAD	3	
15	9299C 33100	WASHER, SPRING	3	
16	90159-03102	SCREW, WITH WASHER	3	
17	90164 04023	SCREW, TAPPING	5	
18	4FM 83520-00	SOCKET CORD ASSY	1	
19	5J10 83513-00	DAMPER	2	
20	90201-06R59	WASHER, PLATE	2	
21	95317-06600	NUT	2	
22	3GM 83550-01	SPEEDOMETER CABLE ASSY	1	

4403300 3440



FIG. 52 ALTERNATE (HEADLIGHT)



REF. NO.	PART NO.	DESCRIPTION	QTY	REMARKS
1	4FM 84330 41	BODY ASSY	1	
2	4FM 84320 40	LENS ASSY	1	
3	4FM 8432A 40	LENS ASSY	1	
4	1FM 84314 H0	BULB (12V/35/35W)	2	HALOGEN
5	4JG 84397 00	COVER, SOCKET	2	
6	51L 84334 00	NUT, ADJUSTING	4	
7	90480 10584	GROMMET	4	
8	97707 60014	SCREW, TAPPING	4	
9	3GM 84301 00	PILOT LIGHT ASSY 1	1	
10	3GM 84321 00	LENS ASSY	1	
11	3GM 84322 00	GASKET, LENS	1	
12	2JE 84744 00	BULB (12V/5W)	1	
13	3GM 84192 00	SCREW (M4, L=12)	2	
14	3GM 84357 50	DAMPER, HEADLIGHT 2	1	
15	97707 50012	SCREW, TAPPING	2	
16	3GM 8431R-Q	STAY, SETTING	1	
17	90480 1051-	GROMMET	2	
18	90387 05- US	COLLAR	2	
19	901F-05037	SCREW, TAPPING	2	
20	4FM 84359-30	CORD, HEADLIGHT	1	
21	90462 05061	CLAMP	1	
22	9-707 50012	SCREW, TAPPING	1	
23	9046-13073	CLAMP	3	

440300 4450



NUMERICAL INDEX

PART NO	GRID NO	PART NO.	GRID NO	PART NO.	GRID NO
3GM W0041 50	E 7	4FM 11603 00	B 4	1HX 12169 31	B 5
4BM W0042 50	E 12	4FM 11605 00	B 4	1HX 12169 50	B 5
4FM W0045 30	E 2	4FM 11631 00 A0	B 4	1HX 12169 70	B 6
4FM W0046 00	E 5	3GM 11633 00	B 4	1HX 12169 90	B 6
3MA W0047 10	E 2	4FM 11630 00	B 4	4HD 12171 00	B 7
31A W0047 00	E 5	4FM 11654 01	B 4	3GM 12176 00	B 7
4FM W0047 00	E 2	3BV 11654 00	B 4	4HD 12181 00	B 7
1J3 W0048 00	E 2	3GM 11656 00	B 4	4FM 12210 00	B 7
3BV W0048 00	E 5	3GM 11656 10	B 4	4FM 12211 00	B 7
31A W0051 00	E 5	3GM 11656 20	B 4	3FM 12261 00	B 7
4FM W0057 00	E 2	4FM 12111 00	B 5	4FM 12267 00	B 7
4FM W0057 10	E 2	4FM 12112 00	B 5	4FM 12405 10	B 9
26M W0098 00	C 10	3V 12113 00	B 5	4FM 12405 10	B 9
3GM W0099 00	F 9	3V 12114 00	B 5	4FM 12410 00	B 9
4FM W1741 00	C 11	4FM 12116 00	B 5	3C7A 12413 00	B 9
3V W1742 00	C 11	1V6G 12117 00	B 5	3GM 12417 00	B 9
4FM W2171 30 P0	D 5	3GM 12117 00	B 5	1UF 12421 09	B 8
4FM W2645 00	E 9	1WG 12118 00	B 5	3GM 12422 00	B 8
4FM W2647 50	E 7	1WG 12119 00	B 5	4FM 12424 10	B 8
4FM W2648 50 P0	F 2	4FM 12121 00	B 5	1HX 12428 00	B 8
4FM W2830 60 P0	F 2	3GM 12126 00	B 5	1AE 12429 00	B 8
4FM W2830 60 P0	F 2	3V 12153 00	B 6	1UF 12450 00	B 8
4FM W2835 30 A1	E 14	3FN 12153 10	B 6	4FM 12461 10	B 9
4FM 11107 10	B 2	3FN 12153 09	B 6	22W 12462 00	B 9
2GM 1111G 00	B 2	3FN 12153 20	B 6	3E V 12469 07	B 8
3GM 11133 10	B 2	3FN 12153 30	B 6	1AE 12481 01	B 8
4FM 11134 10	B 2	1HX 12168 40	B 5	4FN 12482 00	B 8
4FM 11154 00	C 5	1HX 12168 M1	B 5	ZHD 12484 00	B 9
3V 11181 00	B 7	1HX 12168 M1	B 5	4FM 12535 00	B 9
3V 11182 00	B 2	1HX 12168 R1	B 5	4FM 12576 10	B 9
3GM 11193 00	B 2	1HX 12168 U1	B 5	4FM 12579 10	B 9
4FM 11198 01	E 1	1HX 12169 W1	B 5	4FM 12588 01	B 10
4FM 1133E 00	C 4	214 11198 01	B 5	4FM 12589 10	B 10
3V 11351 00	B 3	1HX 12168 V1	B 5	4FM 12683 00	D 2
3GM 11411 00	B 4	1HX 12169 G0	B 5	1AE 1316E 01	B 11
3GM 11416 10	B 4	1HX 12169 L0	B 5	4BH 1316G 01	B 11
3GM 11416 30	B 4	1HX 12169 N0	B 5	3GM 1316I 01	B 13
4FM 11416 40	B 4	1HX 12169 T0	B 5	1HX 1443E 00	B 14
4FM 11416 00	C 9	1HX 12169 Y1	B 5	4FM 14437 00	B 14
3GM 11474 00	C 9	1HX 12169 Z1	B 5	4FM 14451 01	B 14

NUMERICAL INDEX

PART NO.	GRID NO.	PART NO.	GRID NO.	PART NO.	GRID NO.
603 14548 00	C 2	4FM 14561 00	B 14	3GM 15427 00	C 7
4FM 14610 10	C 4	4FM 14610 10	C 4	1TV 15428 00	C 7
4FM 14613 00	C 4	3GM 14613 00	C 4	3GM 15449 00	C 7
3GM 14683 00	C 4	4FM 14683 00	C 4	4FM 15461 00	C 7
4HD 14710 00	C 4	4HD 14710 00	C 4	1AE 15466 00	C 7
3HE 14755 00	C 4	4FM 14755 00	C 4	4FM 15467 00	C 7
3GM 14811 00	C 4	3GM 14811 00	C 4	4FM 15467 00	C 7
4HD 14826 00	C 4	4FM 14826 00	C 4	4H7 15468 00	C 7
2TK 14826 00	C 4	2TK 14826 00	C 4	3GM 15512 00	C 9
2TK 14865 01	C 4	2TK 14865 01	C 4	4GM 15517 00	C 9
31J 14904 40	C 3	31J 14904 40	C 3	3GM 15519 00	C 9
4HS 14900 10	C 2	4HS 14900 10	C 2	3GM 15521 00	C 9
4HS 14916 00	C 2	4HS 14916 00	C 2	3GM 15524 00	C 9
4HS 14922 00	C 2	4HS 14922 00	C 2	3GM 15580 00	C 9
4FM 14924 00	C 3	4FM 14924 00	C 3	3GM 15689 00	C 9
31J 14935 40	C 3	31J 14935 40	C 3	1J7 15543 01	C 9
31J 14944 11	C 2	31J 14944 11	C 2	3GM 15689 00	C 9
31J 14943 15	C 2	31J 14943 15	C 2	1AE 16154 00	C 10
31J 14943 32	C 2	31J 14943 32	C 2	4H7 16155 01	C 9
2V9 14943 31	C 2	2V9 14943 31	C 2	4FM 16150 00	C 10
4FN 14947 00	C 2	4FN 14947 00	C 2	312 16233 00	C 10
31J 14948 03	C 2	31J 14948 03	C 2	59L 16251 00	C 10
4FN 14959 60	C 2	4FN 14959 60	C 2	1LJ 16256 00	C 10
3TJ 14964 40	C 2	3TJ 14964 40	C 2	1AE 16337 00	C 10
4FN 14985 00	C 2	4FN 14985 00	C 2	2GM 16371 00	C 10
3TJ 14984 40	C 2	3TJ 14984 40	C 2	1TV 16381 10	C 10
4FN 14997 00	C 2	4FN 14997 00	C 2	3V 17121 00	C 11
3GM 15100 52	C 5	3GM 15100 52	C 5	4FN 17131 00	C 11
3V 15105 00	C 6	3V 15105 00	C 6	4FN 17151 00	C 11
ZGH 15123 00	B 11	ZGH 15123 00	B 11	4FN 17161 00	C 11
1AE 15124 00	B 11	1AE 15124 00	B 11	3V 17211 00	C 11
2GM 15133 00	B 11	2GM 15133 00	B 11	3V 17221 00	C 11
4H7 15189 00	C 6	4H7 15189 00	C 6	3V 17231 00	C 11
1AE 15316 00	C 7	1AE 15316 00	C 7	4FN 17241 00	C 11
3GM 15346 00	C 7	3GM 15346 00	C 7	4FN 17251 00	C 11
4FM 15367 00	C 7	4FM 15367 00	C 7	3V 17261 00	C 11
3V 15323 00	C 5	3V 15323 00	C 5	278 17424 01	C 12
3GM 15373 00	C 5	3GM 15373 00	C 5	ZGH 17460 00	C 12
1AE 15381 00	B 13	1AE 15381 00	B 13	4FM 18101 01	C 14
1AE 15383 00	C 9	1AE 15383 00	C 9	4FM 18110 00	C 14
4FM 15410 01	C 7	4FM 15410 01	C 7	ZGH 18112 01	C 14
3GM 15416 00	C 7	3GM 15416 00	C 7	132 18113 01	C 14
3GM 15417 00	C 7	3GM 15417 00	C 7	1V6G 18115 00	C 14
4FM 15421 00	C 7	4FM 15421 00	C 7	4G0 18127 00	C 14
				3BV 18140 00	C 13



NUMERICAL INDEX

NUMERICAL INDEX

PART NO.	GRID NO.	PART NO.	GRID NO.	PART NO.	GRID NO.	PART NO.	GRID NO.	PART NO.	GRID NO.
249 18154 00	C 14	4FM 22110 10	D 6	3FV 2416A 00	B 14	4FM 25827 00	E 2	4FM 28240 00	E 6
4FM 19611 00	C 13	3FV 22128 00	D 6	2GM 24181 00	D 12	WFK 25828 00	E 5	4FM 28241 00	E 6
4FM 19612 00	C 13	4FM 22131 00	D 6	4FM 24181 00	C 4	4BM 25827 00	E 12	30V 28246 00	E 6
4FM 19613 00	C 13	4FM 22141 00	D 6	2GM 24183 00	D 12	42M 25828 00	E 12	3LN 28270 01	E 6
4BM 19631 00	C 13	4FM 22151 01	D 7	3V6 24183 00	D 12	341 25828 00	D 15	4FM 28290 10	E 14
1AE 19536 00	C 13	4FM 22171 00	D 7	4JM 24183 00	D 12	3GM 2589F 00	E 7	4FM 28290 10	E 14
4FM 19540 00	C 13	4BM 2217M 00	D 6	2GM 24184 00	D 12	4BP 2589F 00	F 12	4FM 28311 00	F 2
278 19542 00	C 13	4HD 2218A 00	D 6	12M 24186 00	D 12	4FM 2589F 00	E 9	4FM 28311 00	F 2
4FM 21110 00	C 13	3FV 22184 00	D 7	2GM 24186 00	D 12	3LN 2589G 00	E 12	4FM 28311 00	F 2
4FM 2116J 10	C 13	4HS 22210 00	D 8	4FM 24191 00	D 12	2KT 2589G 00	E 12	4FM 28311 00	F 2
4FM 2116I 01	D 2	4AA 22259 40	D 8	4FM 24240 70	D 12	3GM 2589H 10	E 7	4FM 28311 00	F 2
4FM 21162 00	D 2	4FM 22262 10	D 8	3VA 24256 00	E 7	3FM 2589A 00	E 9	4FM 28311 00	F 2
4FM 21171 00	D 2	4FM 22311 00	D 8	3FV 24500 01	E 9	3GM 2589A 00	E 7	4FM 28311 00	F 2
4FM 2117M 11	C 15	4FM 23102 50	C 15	4X8 24512 00	D 12	3GM 2589A 50	E 7	4FM 28311 00	F 2
4FM 21330 00	C 15	4FM 2310J 50	D 10	4FM 24602 00	D 12	3GM 2589A 50	E 7	4FM 28311 00	F 2
4FM 21359 10	C 15	4FM 23110 20	D 10	4FM 24710 11	D 14	2J2 25895 50	E 7	4FM 28311 00	F 2
4FM 2137V 01	D 2	4FM 23111 10	D 10	4FM 24711 00	D 14	3GM 25895 50	E 9	4FM 28311 00	F 2
4FM 2138V 00	C 15	4FM 23118 40	D 11	35T 24724 00	D 3	2VN 25896 00	E 7	4FM 28311 00	F 2
4FM 2142W 01	C 15	4FM 23118 40	D 11	4FM 24724 00	D 14	56A 25897 00	E 7	4FM 28311 00	F 2
1WQ 2143A 00	D 5	4FM 23120 20	D 10	4FM 25168 00 78	D 15	4FM 25812 02	E 7	4FM 28311 00	F 2
4FM 2144G 00	F 12	4FM 23125 40	D 10	4FM 25181 01	D 15	4FM 25813 07	E 9	4FM 28311 00	F 2
4FM 2144S 00	E 11	4FM 23136 40	D 10	4FM 25180 00	D 15	4FM 25817 01	E 10	4FM 28311 00	F 2
4FM 21446 00	D 2	4FM 23141 10	D 10	478 25335 00	D 8	4FM 25817 01	E 10	4FM 28311 00	F 2
4X7 21459 00	D 4	3XV 23144 50	D 11	4FM 25338 00 78	E 3	4FM 25817 01	E 10	4FM 28311 00	F 2
4FM 21456 07	C 15	4FM 23145 40	D 10	4FM 25364 00	E 3	3MA 25876 12	E 13	4FM 28311 00	F 2
1A8 21518 00	F 2	36V 23146 10	D 16	4FM 25366 00	E 3	4FM 25876 12	E 13	4FM 28311 00	F 2
4FM 21559 40	D 3	26M 23156 00	D 10	4FM 25371 00	E 3	4FM 25876 12	E 13	4FM 28311 00	F 2
4FM 21556 00	E 2	2K8 23156 L0	D 10	4FM 25377 00	E 3	4FM 25876 12	E 13	4FM 28311 00	F 2
4FM 21611 02	D 3	4FM 23170 50	D 10	4FM 25381 10	E 3	3PJ 25888 00	E 12	4FM 28311 00	F 2
3GM 21621 00	D 3	4FM 23171 40	D 10	4FM 25389 00	E 3	3FV 2589A 00	E 7	4FM 28311 00	F 2
2TV 21638 07	B 5	3L 23181 00	D 10	29L 25398 00	D 15	3FV 2589F 00	E 9	4FM 28311 00	F 2
4FM 21645 11	C 15	4FM 23340 00	D 11	29L 25398 10	E 3	3FV 2589G 00	E 9	4FM 28311 00	F 2
3GM 21649 06	D 3	3L C 23357 00	D 10	29L 25398 20	D 15	3GM 2589A 00	E 7	4FM 28311 00	F 2
3MA 21649 10	D 3	4FM 23377 00	D 11	4FM 25439 00	E 3	31A 25894 01	E 12	4FM 28311 00	F 2
4FM 21649 00	D 3	4FM 23378 00	E 7	4FM 25480 30	E 3	4FM 25894 00	E 12	4FM 28311 00	F 2
4HS 2174L 00	D 5	3GM 23415 00	D 9	4FM 2580T 30	E 3	4FM 25894 00	E 12	4FM 28311 00	F 2
1JK 21735 00	D 5	3VF 23418 00	D 9	4FM 2580U 30	E 2	29L 25919 40	E 13	4FM 28311 00	F 2
3XV 21778 00	D 3	4FM 23435 20	D 9	4FM 2580V 10	E 5	4FM 25919 00	E 13	4FM 28311 00	F 2
4FM 21841 00	D 2	10L 23469 03	D 9	4FM 2581T 01	E 2	4FM 25924 00	E 2	4FM 28311 00	F 2
1AA 21874 00	D 2	4FM 24110 30 X3	E 6	4FM 25819 01	E 5	3GM 25925 00	E 5	4FM 28311 00	F 2
4C 21875 00	D 2	4FM 24116 04	D 12	4BP 2582A 00	E 12	4FM 25925 00	E 5	4FM 28311 00	F 2
K77 21961 10	F 2	4FM 24116 04	D 12	4FM 2582W 00	E 5	4FM 26121 01	E 6	4FM 28311 00	F 2
	F 3	1LJ 2414J 00	D 3	1FK 25827 00	E 5	4FM 26122 00	E 6	4FM 28311 00	F 2

L2

NUMERICAL INDEX

PART NO.	GRID NO.	PART NO.	GRID NO.	PART NO.	GRID NO.	PART NO.	GRID NO.	PART NO.	GRID NO.		
4FM 82320 00	F 11	1WG 83141 00	E 6	4FM 84359 30	G 5	90105 10725	E 5	90159 03102	G 4	90201 101J1	D 6
2K1 82370 00	F 11	3GM 83969 01	E 6	3GM 84367 50	F 9	90109 063F8	C 13	90159 06033	D 2		D 8
4JM 82501 01	F 12	4FM 83975 00	E 6		F 14	90109 064F0	B 2	90159 06055	E 12	90201 101I8	E 8
1K1 22520 07	F 12	3FV 83980 00	E 7		G 2	90109 065A8	B 7	90159 06071	D 2		E 9
4FM 82540 00	F 11	3GM 83980 00	E 9		G 5	90109 080G5	F 12	90159 06083	C 10		E 13
3LN 82560 00	F 11	3GM 84192 00	E 9	4JG 84397 00	F 9	90109 082G4	E 7	90159 06095	F 8		B 2
4FM 82566 00	F 12		F 14		F 14		E 5		G 4	90201 102M4	B 2
4FM 82560 10	F 12		G 2		G 2	90109 087I8	C 10	90167 05037	F 9	90201 104R2	E 12
4JM 83100 00	F 7	3GM 84301 00	G 5		G 5	90109 104E6	E 19		F 14	90201 106M5	C 14
306 83333 40	F 7		F 9	2AL 84553 00	E 4	90109 112F1	B 7		G 2	90201 127J6	E 10
4JM 83318 00	F 7		F 14	3F9 84553 00	F 10	90110 05112	D 12		D 12	90201 150M2	C 10
4JM 83318 10	F 7		G 2	4FM 84710 00	F 10		F 10		B 10	90201 150M2	C 10
4JM 83320 00	F 7		G 5	31L 84714 00	F 10	90110 06142	B 10	90170 06228	C 14	90201 164M4	D 8
4JM 83330 00	F 7	3GM 84319 00	G 5	4FM 84735 00	F 10	90110 08155	E 10	90170 20327	C 10	90201 200K3	C 11
4JM 83332 00	F 7		F 14	3F9 84742 00	F 10	90110 08177	C 9	90176 06055	D 12		E 4
4JM 83340 00	F 7		G 2	2JL 84744 00	F 9	90110 08231	E 10		E 15	90202 03052	C 3
4JM 83347 00	F 7		G 5		F 10	90110 10169	C 15	90176 10075	B 2	90202 05187	D 12
4FM 83345 00	F 7		F 14		F 14	90116 10528	C 5	90176 22050	B 2	90202 06056	C 2
3GM 83350 00	F 7		G 5		F 14	90116 10529	C 5	90179 05523	F 10	90202 24190	D 5
4FM 83369 00	F 7		F 9		G 2	90116 10568	C 6	90179 06217	C 5	90202 26142	D 5
4FM 83371 00	F 11		F 9		G 5	90116 10594	C 5	90179 06410	C 4	90206 14086	E 12
4FM 83509 00	F 11		G 2		G 5	90116 10595	C 5	90179 10590	B 2	90209 06096	C 7
	F 11		G 2		F 8	90116 10596	C 5	90179 10590	C 15	90209 10131	E 6
	F 11		G 2		F 8	90116 10595	C 5	90179 10590	C 15	90209 11262	B 2
	F 11		G 2		F 8	90119 06016	D 2	90179 10658	C 15	90209 16240	B 2
	F 11		G 2		F 8		D 2		E 10	90209 16240	C 4
	F 11		G 2		F 8		D 2		E 10	90209 22191	C 4
	F 11		G 2		F 8		D 2		E 10	90209 25196	C 11
	F 11		G 2		F 8		D 2		E 10	90215 21022	C 10
	F 11		G 2		F 8		D 2		E 10	90215 20231	C 10
	F 11		G 2		F 8		D 2		E 10	90240 06124	E 12
	F 11		G 2		F 8		D 2		E 10	90267 40029	D 3
	F 11		G 2		F 8		D 2		E 10	90338 07043	D 3
	F 11		G 2		F 8		D 2		E 10	90338 08226	D 14
	F 11		G 2		F 8		D 2		E 10		F 11
	F 11		G 2		F 8		D 2		E 10	90338 10132	D 4
	F 11		G 2		F 8		D 2		E 10	90338 15202	C 15
	F 11		G 2		F 8		D 2		E 10	90338 30096	C 5
	F 11		G 2		F 8		D 2		E 10	90340 16148	C 15
	F 11		G 2		F 8		D 2		E 10	90340 18101	C 6
	F 11		G 2		F 8		D 2		E 10	90387 052U5	B 2
	F 11		G 2		F 8		D 2		E 10	90387 052U5	C 4
	F 11		G 2		F 8		D 2		E 10		C 4
	F 11		G 2		F 8		D 2		E 10		F 14
	F 11		G 2		F 8		D 2		E 10	90387 05383	G 2
	F 11		G 2		F 8		D 2		E 10	90387 0608A	C 5
	F 11		G 2		F 8		D 2		E 10	90387 06241	C 5
	F 11		G 2		F 8		D 2		E 10	90387 06241	D 3
	F 11		G 2		F 8		D 2		E 10	90387 06299	F 10
	F 11		G 2		F 8		D 2		E 10		D 12

NUMERICAL INDEX

NUMERICAL INDEX

PART NO.	GRID NO.	PART NO.	GRID NO.	PART NO.	GRID NO.	PART NO.	GRID NO.	PART NO.	GRID NO.	PART NO.	GRID NO.	PART NO.	GRID NO.
90387 06613	B 9	90460 65195	B 14	90460 13398	D 5	92907 04100	F 14	93210 20190	F 11	95027 08012	B 13		
90387 06656	B 15	90462 05081	F 9		E 14		G 4	93210 20694	B 8				
90387 06681	F 11		F 14		F 2	92907 04600	F 7	93210 23133	B 8				
90387 06745	D 7		G 2	90460 14412	F 11		F 8	93210 78211	B 3				
90387 06791	D 7	90462 08154	G 5	90460 15363	B 9		G 4	93210 81722	B 13	95027 08014	B 13		
90387 07391	B 9	90462 08184	C 6	90501 04623	C 9		D 12	93306 20501	C 11	95027 08016	C 9		
90387 08710	D 3	90464 09130	D 3	90501 06027	C 13	92907 05400	F 10	93306 00106	B 8				
90387 10284	D 6	90464 10186	D 3	90501 22549	C 10		F 10	93306 00420	D 15				
90387 10597	C 15	90464 12089	F 12	90506 18224	E 10		F 11	93306 20335	C 9				
90387 10617	C 4	90466 13073	F 9	90506 20377	E 10	92907 06100	E 12	93306 20465	E 15				
90387 11448	C 14		F 9	90506 26225	E 10		C 15		C 12	95027 08020	B 8		
90387 11676	C 15		F 11	90506 26681	C 13		D 12	93306 20541	C 9				
90387 12285	D 6		F 12	90506 32682	C 14	92907 10800	C 15	93306 20567	E 3	95027 08025	B 2		
90387 12472	D 6		F 14	90560 06201	F 14	92907 10800	D 6	93306 20644	E 3				
90387 12847	D 6		C 2	90560 12191	C 14	92900 03100	F 8	93306 30560	C 11				
90387 20441	C 11	90464 15184	G 5	90560 25270	C 10		G 4	93310 34048	C 10				
90387 20341	C 11	90464 17184	F 12	90560 28289	E 3	92900 04100	E 7	93315 42523	D 6				
90387 22005	D 15	90464 25180	B 14	90560 28399	C 2	92900 05200	C 4	93317 21746	D 6	95027 08030	B 8		
90387 25345	C 11		D 13	91316 04010	C 2	92900 05400	F 4	93317 31771	D 6				
90387 25346	C 11		F 7	91317 05010	D 13	93101 12060	B 8	93342 22502	C 10				
90387 26348	C 11	90466 44109	B 9	91317 05012	B 14	93101 16131	D 6	93392 22502	D 6				
90387 26549	C 11	90465 08074	B 13	91317 06010	E 8	93102 12106	C 14	93399 99919	D 6	95027 08040	B 8		
90387 28054	F 4	90465 137	B 10	91317 06012	B 14	93102 28071	D 15	93399 99931	D 9				
90387 28054	F 4		F 12		E 7	93102 35412	E 3	93399 99932	D 9	95027 08050	B 8		
90387 28444	C 11	90467 08003	B 10		E 8	93102 35423	C 11	93440 10153	D 9				
90401 10159	B 11		D 2	91317 06020	E 9	93102 40211	E 3	93440 10153	B 2				
	B 11	90467 08092	B 14		E 9	93102 40211	E 3	93440 25084	C 11	95027 08090	C 7		
	F 4	90467 09006	D 13		F 6	93105 45017	D 15	93440 28062	C 12	95304 06700	C 14		
	F 9	90467 11090	B 9	91317 06025	B 7	93109 12053	C 14	93450 15144	B 4	95307 08600	F 8		
	F 13	90467 11106	B 15		D 8	93109 17048	D 6	93450 19095	C 10	95307 08600	E 3		
	B 13	90467 13123	D 13		E 6	93210 06632	D 6	93604 10011	C 9	95317 08600	E 12		
90401 10160	B 13	90467 14015	C 5	91317 36030	B 11		B 11	93604 10011	B 8	95607 04100	G 4		
90430 06014	B 2	90467 14057	E 13	91317 06050	C 15	93210 06714	C 10	93615 12088	D 15	95607 06100	D 3		
	B 3	90467 15054	C 5	91317 08030	D 9	93210 07135	B 13	93900 00030	E 3				
	B 8	90468 16059	D 3		D 11		B 11	94580 81104	E 3	95607 06200	F 10		
	B 14	90468 10255	F 9	91317 08040	D 10	93210 14369	C 5	94581 55104	E 3	95617 08200	D 14		
	B 11	90480 10517	F 9		D 11	93210 14579	C 6	94681 55031	B 7	95617 0825	E 14		
90430 10171	B 11		F 9		D 10	93210 15479	C 6	94701 00318	E 3	95617 10100	B 2		
90445 09635	D 2		F 14		D 11	93210 15479	C 6	94701 00319	B 2				
90445 102G7	B 10		G 2	91317 10040	C 15	93210 15466	B 13	95027 08008	B 2	95617 10200	D 8		
90445 11293	D 13		G 5	91317 / 10045	C 15	93210 15620	E 7	95027 08008	E 9				
90445 11646	B 15	90460 10542	B 9	914 0 20025	E 3		E 9		E 13				
90445 11646	B 15	90460 10584	B 9		E 12	93210 18417	B 8		F 12	95706 06500	E 3		
90446 11746	F 10		F 14	91 10 25008	B 2	93210 19216	F 5	95027 08010	B 8				
90450 22052	B 10		C 2	9717 06010	C 7	93210 20573	C 6		B 13	95707 05500	D 3		
90450 32608	D 4		G 5	9 317 08020	E 12	93210 23187	B 8		B 2				
90450 39040	B 9		B 15	9 901 04600	E 7		B 9		B 3				
90450 57034	B 14	90460 12314	D 4	9 901 05100	F 4	93210 27778	C 5		B 8				
		90480 13163	F 14	9 907 04100	F 8		C 7		B 11				

NUMERICAL INDEX



NUMERICAL INDEX

PART NO.	GRID NO.	PART NO.	GRID NO.
95707 08500	E 3	97707 50525	9 14
95707 10500	D 2	97707 60014	F 14
95807 06010	E 6		G 2
	F 2		G 5
	F 11	97707 60016	D 14
95807 06012	E 8		F 11
95807 06020	B 15	97902 04122	F 8
95807 06030	F 11		G 4
95817 06014	C 9	98506 05040	E 6
95817 06016	D 2	98507 03010	F 8
	D 3		G 4
	D 8	98507 04008	E 9
	E 12		F 7
	C 14		F 14
95817 06070	C 5	98507 04010	F 8
95817 06075	C 5		G 4
95817 06080	D 12	98507 05008	F 11
95817 06085	C 5	98507 05016	D 12
95817 06140	C 5	98507 05018	E 6
95817 08012	F 2		F 4
95817 08014	C 15	98507 05030	E 6
	L 12	98507 06010	C 7
95817 08070	E 11		F 12
95817 08075	C 4	98507 06016	F 11
95817 08077	C 15	98507 06020	C 7
	C 4		E 12
95817 08085	C 5	98517 04012	E 7
95817 08085	C 5	98580 04008	C 2
95817 08086	C 5	98706 04016	E 9
95817 08085	C 5	98707 05012	C 13
	F 4	98707 05025	E 15
95817 08090	C 5	98907 06008	E 6
95827 06016	B 12	99006 10670	C 14
	C 13	99006 10400	B 13
95827 06025	B 9	99009 12400	B 8
	F 6	99226 00160	D 12
97007 06012	C 15	99236 01380	F 10
97007 06025	B 9	99236 00100	E 14
	D 12	99510 08012	B 11
	F 9		C 7
97007 60014	C 4		C 8
97080 05012	F 7		C 10
97702 40610	F 7		B 7
97707 40014	F 9		B 13
97707 50012	F 14	99510 12016	C 6
	G 2	99510 14016	B 5
	G 5	99530 10014	C 5
	F 14		

NUMERICAL INDEX

PART NO.	GRID NO.	PART NO.	GRID NO.
----------	----------	----------	----------

L5