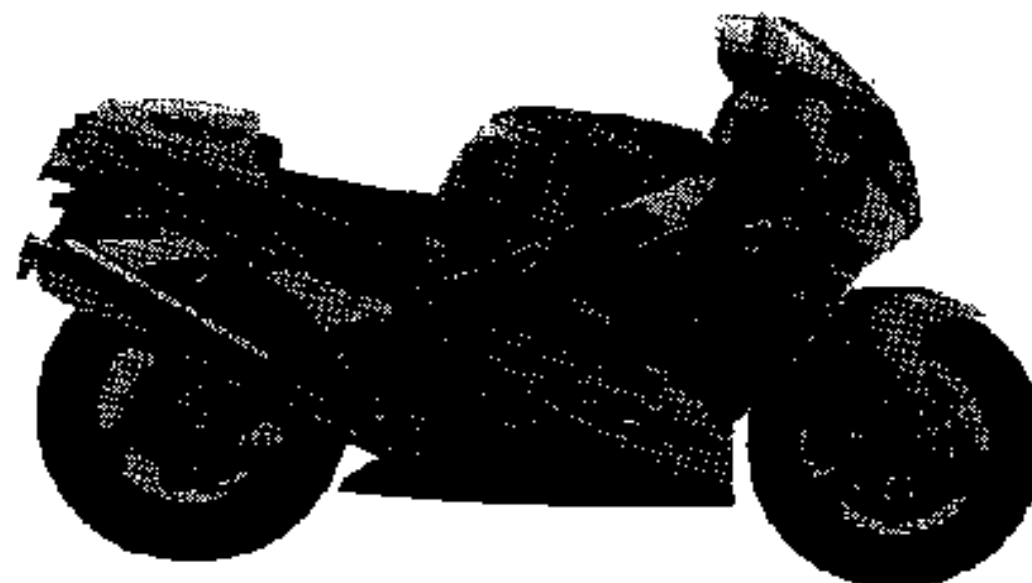




PARTS CATALOGUE
MODEL YEAR 1994
YZF750RF (4LE1) U49
YZF750RFC (4LE2)

<input type="checkbox"/>	Frame Serial No.	4LE-001101 and following
	Engine Serial No.	4LE-001101 and following
<input type="checkbox"/>	Frame Serial No.	4LE-000101 and following
	Engine Serial No.	4LE-000101 and following

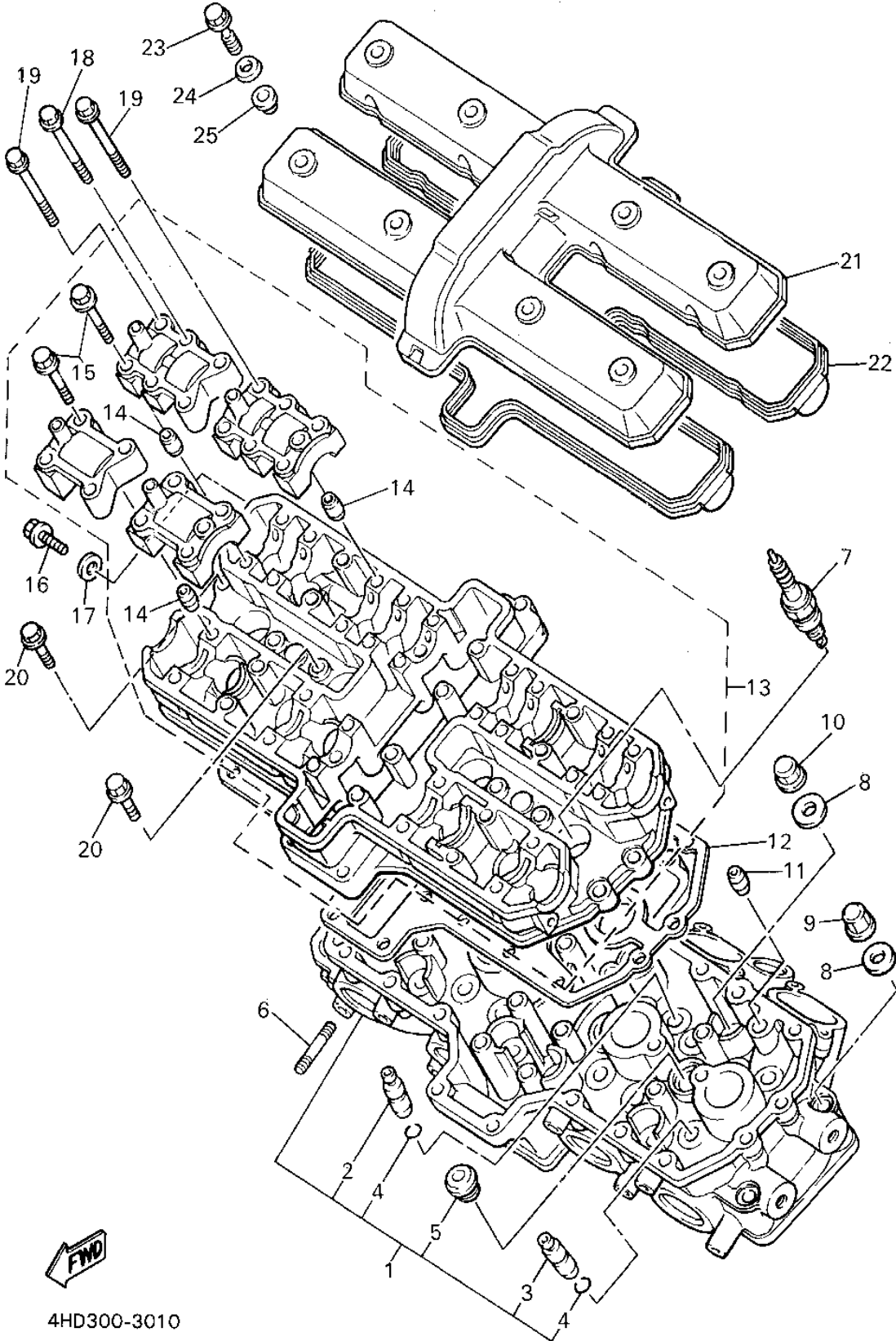
PUBLICATION	PART NUMBER	REMARKS
OWNER'S MANUAL	LIT-11626-09-20	
ASSEMBLY	LIT-11666-09-20	
SERVICE MANUAL	LIT-11616-09-20	



YAMAHA
ONLINE
Parts & Accessories

A1

CYLINDER HEAD

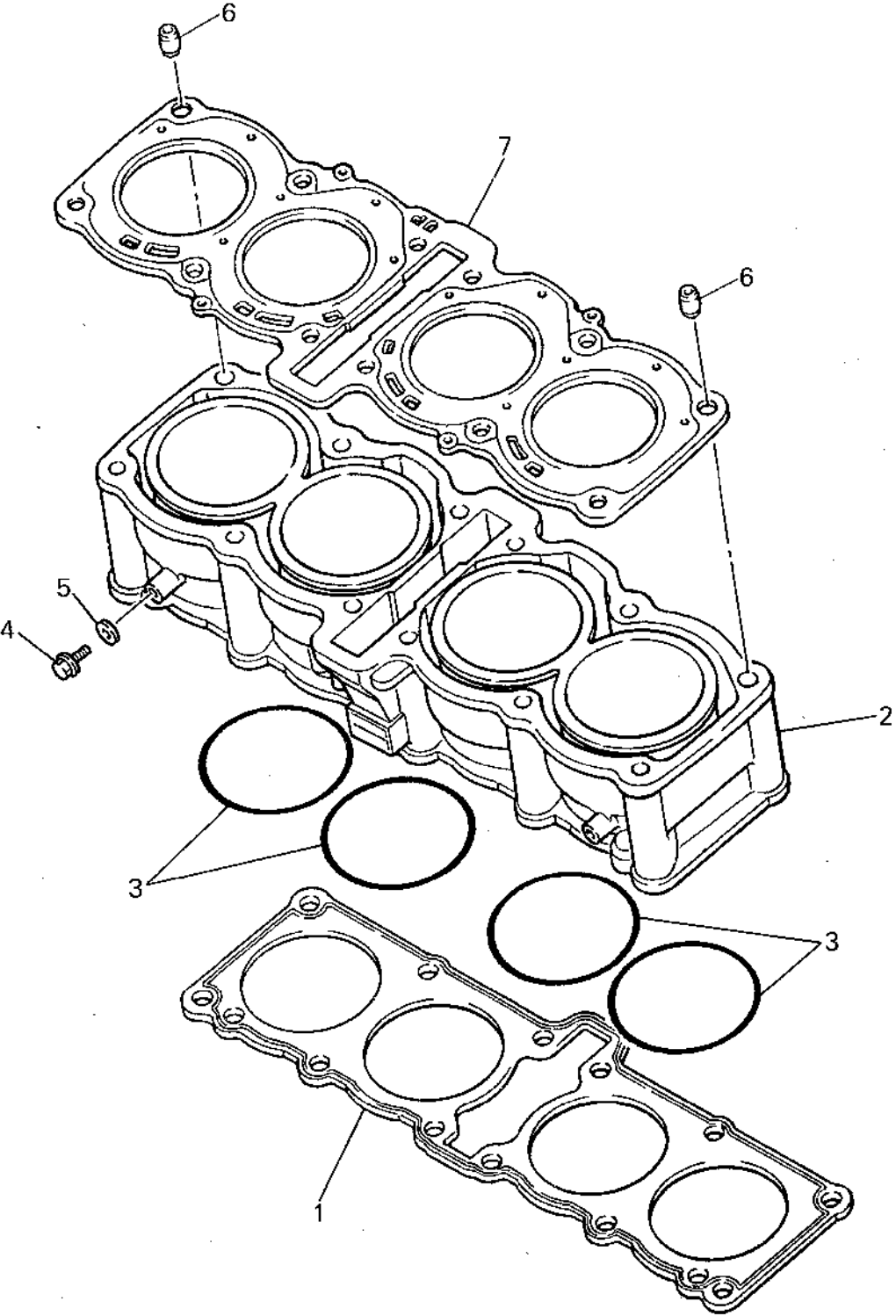


Ref. No.	Part Number	Description	Qty	Remarks
1	4FM-11102-00-00	CYLINDER HEAD ASSEMBLY	1	
2	3GM-11133-10-00	. GUIDE, INTAKE VALVE	12	
3	3GM-11134-10-00	. GUIDE, EXHAUST VALVE	8	
4	93440-10153-00	. CIRCLIP	20	
5	90340-18101-00	. PLUG, STRAIGHT SCREW	4	
6	95611-08625-00	BOLT, STUD	8	
7	NGK-CR9E0-00-00	PLUG, SPARK (NGK R CR9E)	4	UR
8	90201-103M4-00	WASHER, PLATE	12	
9	90176-10049-00	NUT, CROWN	4	
10	90179-10584-00	NUT	8	
11	91810-25008-00	PIN, DOWEL	2	
12	3FV-11182-00-00	GASKET, CYLINDER HEAD 2	1	
13	4FM-1115A-00-00	CAM CASE ASSEMBLY	1	
14	99510-08016-00	. PIN, DOWEL	16	
15	90105-06153-00	. BOLT, WASHER BASED	16	
16	95023-06012-00	BOLT, FLANGE	1	
17	90430-06014-00	GASKET	1	
18	90105-06541-00	BOLT, WASHER BASED	20	
19	90105-06693-00	BOLT, WASHER BASED	4	
20	95023-06025-00	BOLT, FLANGE	11	
21	3GM-11191-00-00	COVER, CYLINDER HEAD 1	1	
22	3GM-11193-00-00	GASKET, HEAD COVER 1	1	
23	90109-064F0-00	BOLT	8	
24	90209-11262-00	WASHER	8	
25	2GH-1111G-00-00	RUBBER, MOUNT 1	8	

4HD300-3010

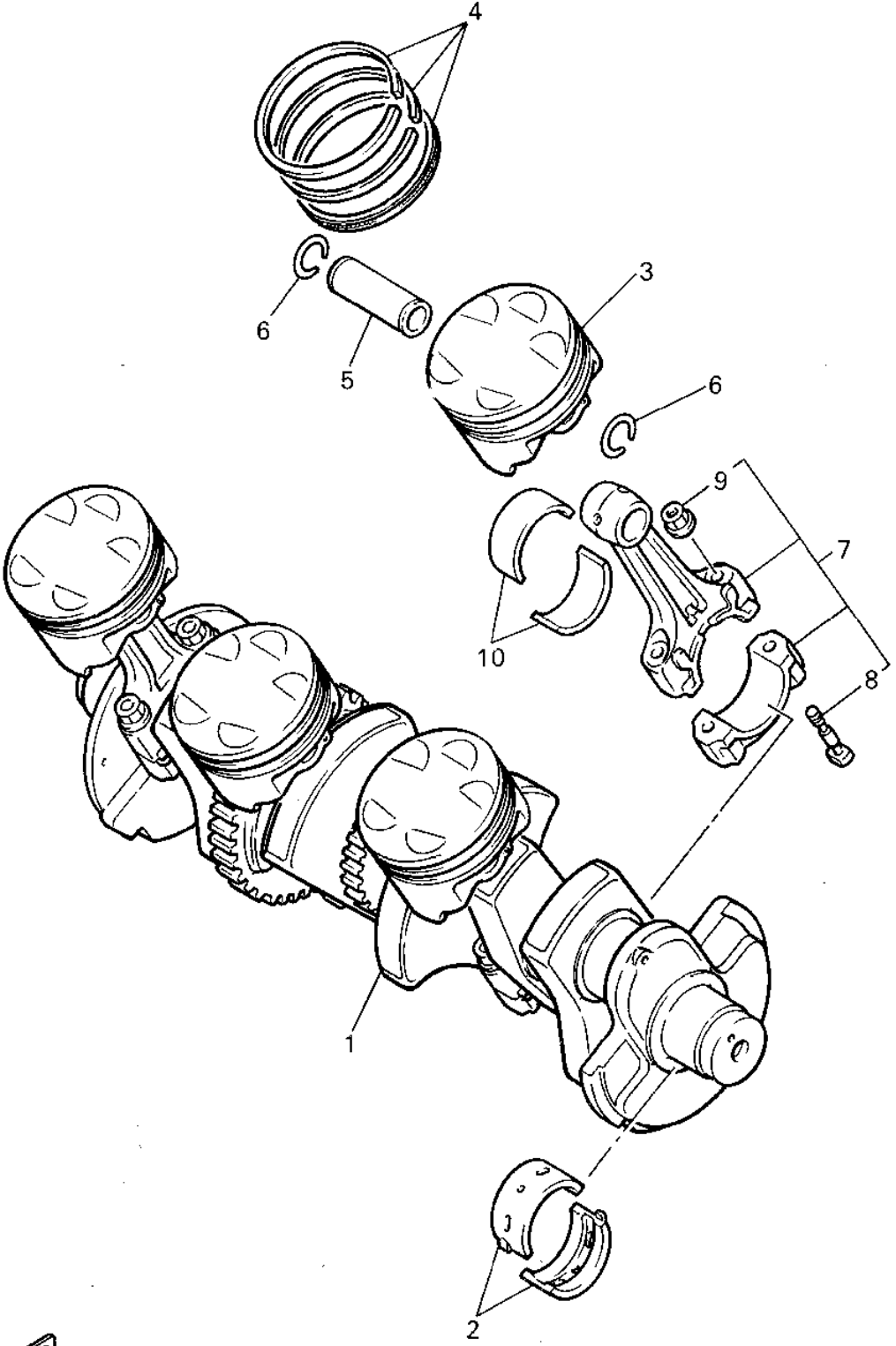
CYLINDER

Ref. No.	Part Number	Description	Qty	Remarks
1	3FV-11351-00-00	GASKET, CYLINDER	1	
2	4FM-11310-00-00	CYLINDER	1	
3	93210-76211-00	O-RING	4	
4	95023-06012-00	BOLT, FLANGE	2	
5	90430-06014-00	GASKET	2	
6	99510-14016-00	PIN, DOWEL	2	
7	3FV-11181-00-00	GASKET, CYLINDER HEAD 1 .	1	



4HD300-3020

CRANKSHAFT - PISTON

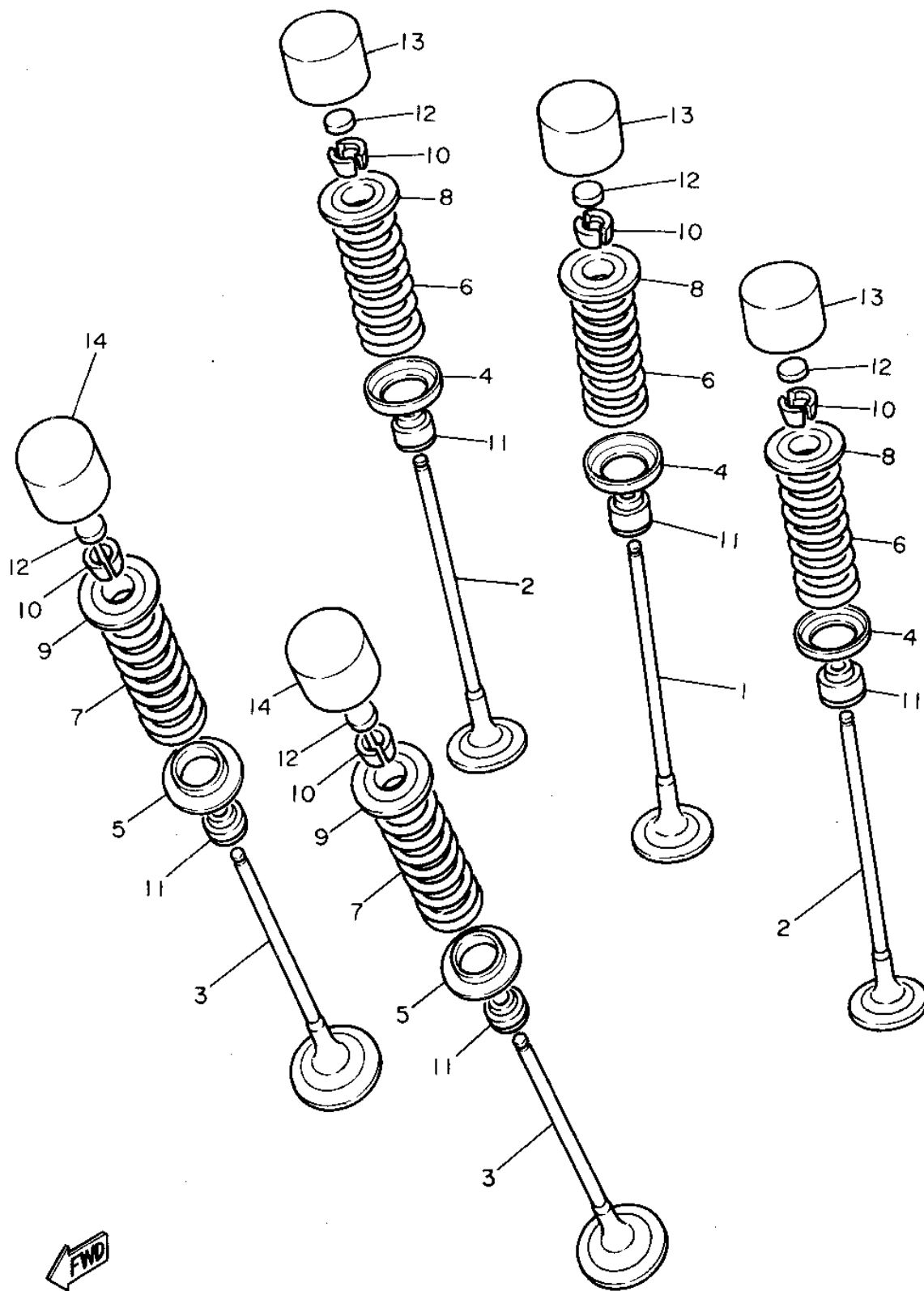


Ref. No.	Part Number	Description	Qty	Remarks
1	4FM-11411-00-00	CRANKSHAFT	1	
2	3GM-11416-00-00	PLANE BEARING, CRANKSHAFT 1	10	UR BLUE
	3GM-11416-10-00	PLANE BEARING, CRANKSHAFT 1	10	UR BLACK
	3GM-11416-20-00	PLANE BEARING, CRANKSHAFT 1	10	UR BROWN
	3GM-11416-30-00	PLANE BEARING, CRANKSHAFT 1	10	UR GREEN
	3GM-11416-40-00	PLANE BEARING, CRANKSHAFT 1	10	UR YELLOW
3	4FM-11631-00-A0	PISTON (STD)	4	
	4FM-11636-00-00	PISTON (0.50MM O/S)	4	AP
4	4FM-11603-00-00	PISTON RING SET (STD)	4	
	4FM-11605-00-00	PISTON RING SET (0.50MM O/S)	4	AP
5	3GM-11633-00-00	PIN, PISTON	4	
6	93450-19095-00	CIRCLIP	8	
7	4FM-11650-00-00	CONNECTING ROD ASSEMBLY	4	
8	36Y-11654-00-00	. BOLT, CONNECTING ROD	2	
9	90179-08327-00	. NUT	2	
10	3GM-11656-00-00	PLANE BEARING, CONNECTING ROD	8	UR BLUE
	3GM-11656-10-00	PLANE BEARING, CONNECTING ROD	8	UR BLACK
	3GM-11656-20-00	PLANE BEARING, CONNECTING ROD	8	UR BROWN
	3GM-11656-30-00	PLANE BEARING, CONNECTING ROD	8	UR GREEN



4HD300-3030

VALVE



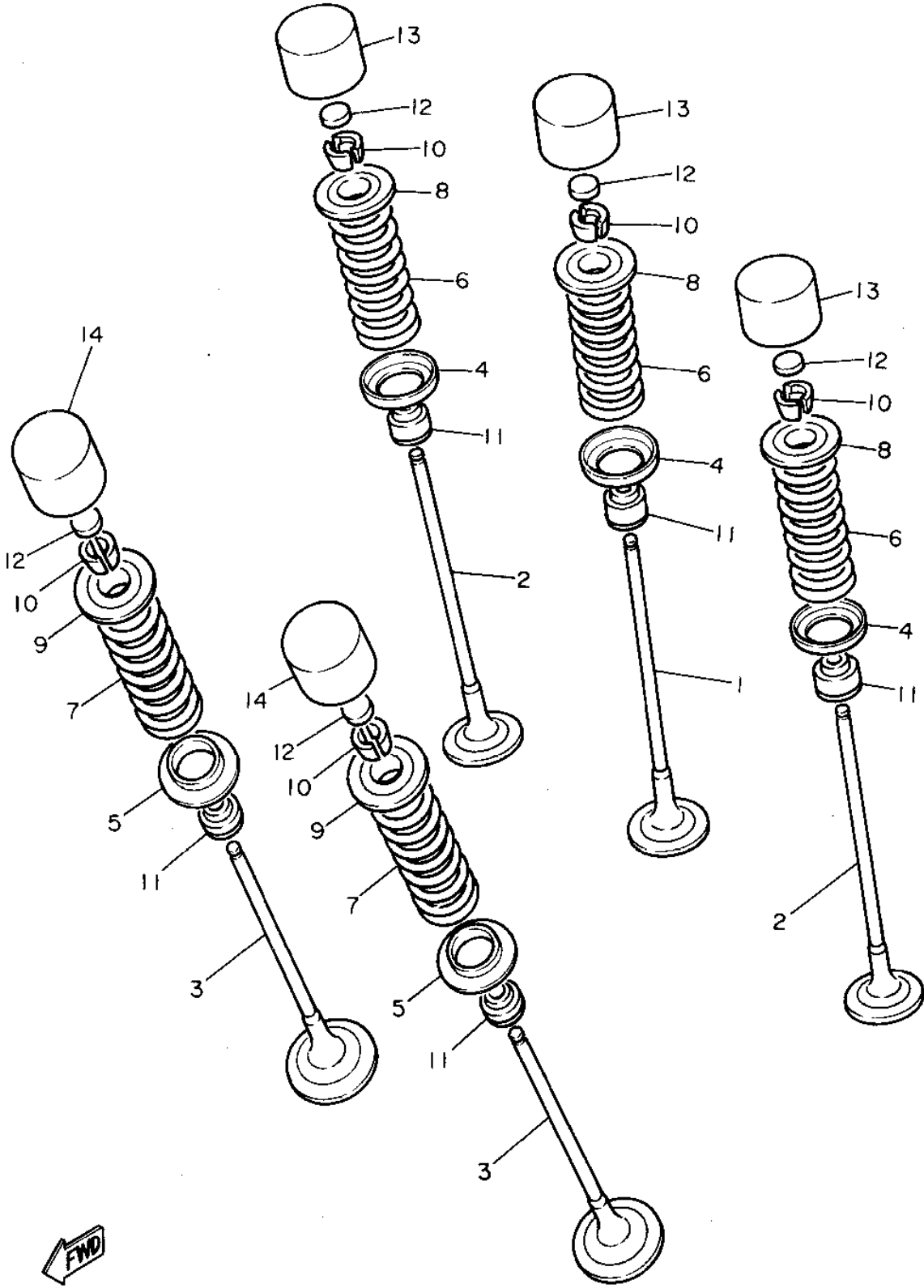
Ref. No.	Part Number	Description	Qty	Remarks
1	4FM-12111-00-00	VALVE, INTAKE	4	
2	4FM-12112-00-00	VALVE, INTAKE 2	8	
3	4FM-12121-00-00	VALVE, EXHAUST	8	
4	4FM-12116-00-00	SEAT, VALVE SPRING	12	
5	3GM-12126-00-00	SEAT, VALVE SPRING 2	8	
6	3FV-12113-00-00	SPRING, VALVE INNER	12	
7	3FV-12114-00-00	SPRING, VALVE OUTER	8	
8	3GM-12117-00-00	RETAINER, VALVE SPRING	12	
9	1WG-12117-00-00	RETAINER, VALVE SPRING	8	
10	1WG-12118-00-00	COTTER, VALVE	40	
11	1WG-12119-00-00	SEAL, VALVE STEM	20	
12	1HX-12168-00-00	PAD, ADJUSTING 2 (1.20)	20	UR
	1HX-12168-20-00	PAD, ADJUSTING 2 (1.25)	20	UR
	1HX-12168-40-00	PAD, ADJUSTING 2 (1.30)	20	UR
	1HX-12168-60-00	PAD, ADJUSTING 2 (1.35)	20	UR
	1HX-12168-80-00	PAD, ADJUSTING 2 (1.40)	20	UR
	1HX-12168-A0-00	PAD, ADJUSTING 2 (1.45)	20	UR
	1HX-12168-F0-00	PAD, ADJUSTING 2 (1.50)	20	UR
	1HX-12168-H1-00	PAD, ADJUSTING 2 (1.55)	20	UR
	1HX-12168-K1-00	PAD, ADJUSTING 2 (1.60)	20	UR
	1HX-12168-M1-00	PAD, ADJUSTING 2 (1.65)	20	UR
	1HX-12168-R1-00	PAD, ADJUSTING 2 (1.70)	20	UR
	1HX-12168-U1-00	PAD, ADJUSTING 2 (1.75)	20	UR
	1HX-12168-W1-00	PAD, ADJUSTING 2 (1.80)	20	UR
	1HX-12168-Y1-00	PAD, ADJUSTING 2 (1.85)	20	UR
	1HX-12169-11-00	PAD, ADJUSTING 2 (1.90)	20	UR
	1HX-12169-31-00	PAD, ADJUSTING 2 (1.95)	20	UR
	1HX-12169-50-00	PAD, ADJUSTING 2 (2.00)	20	UR
	1HX-12169-70-00	PAD, ADJUSTING 2 (2.05)	20	UR

CONTINUED ON NEXT FRAME ►



3LE332-9040

VALVE

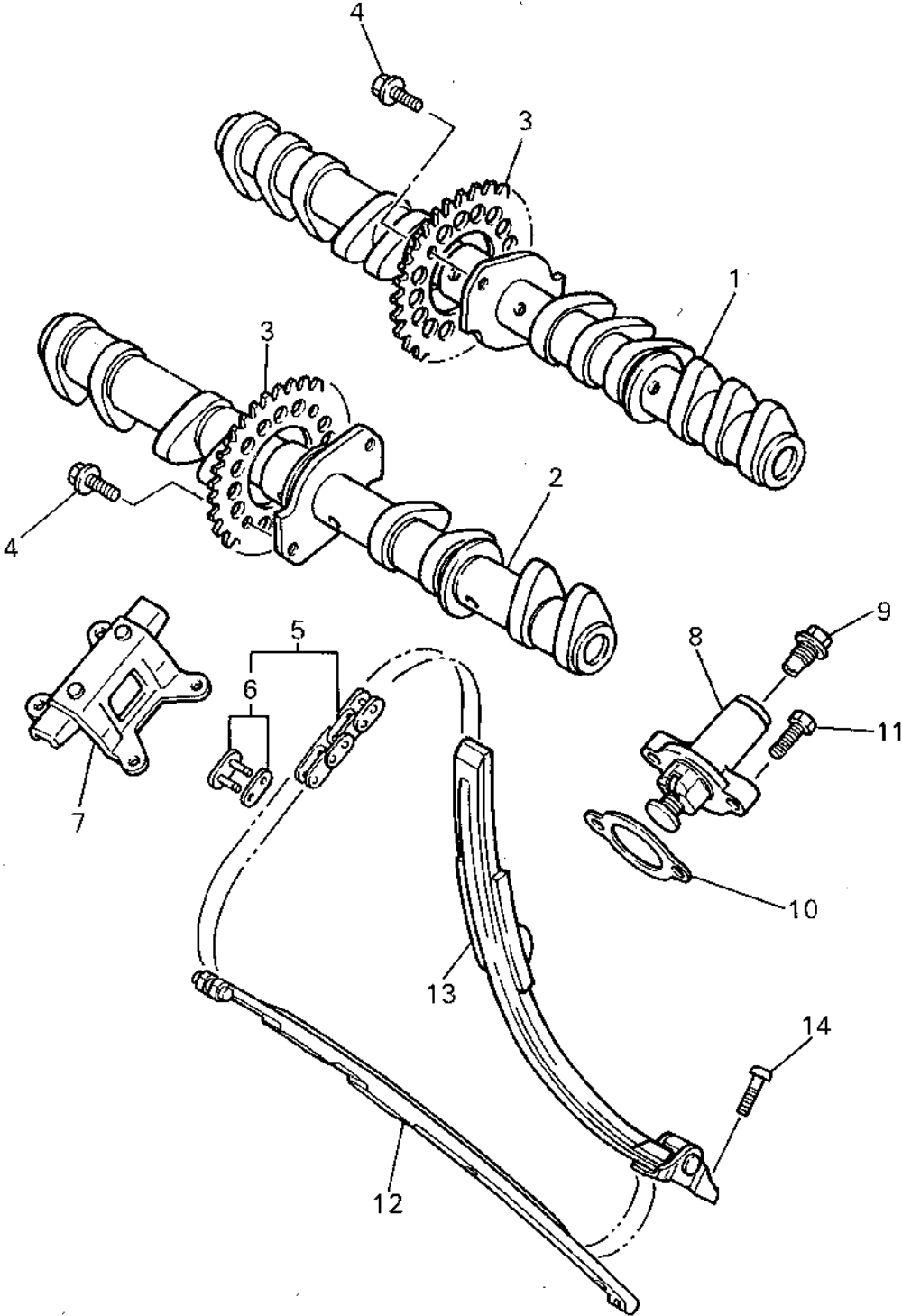


Ref. No.	Part Number	Description	Qty	Remarks
12	1HX-12169-90-00	PAD, ADJUSTING 2 (2.10)	20	UR
	1HX-12169-E0-00	PAD, ADJUSTING 2 (2.15)	20	UR
	1HX-12169-G0-00	PAD, ADJUSTING 2 (2.20)	20	UR
	1HX-12169-J0-00	PAD, ADJUSTING 2 (2.25)	20	UR
	1HX-12169-L0-00	PAD, ADJUSTING 2 (2.30)	20	UR
	1HX-12169-N0-00	PAD, ADJUSTING 2 (2.35)	20	UR
	1HX-12169-T0-00	PAD, ADJUSTING 2 (2.40)	20	UR
13	3LN-12153-09-00	LIFTER, VALVE (O/S)	12	UR GREEN
	3LN-12153-20-00	LIFTER, VALVE	12	UR BLUE
	3LN-12153-30-00	LIFTER, VALVE	12	UR RED
14	3FV-12153-09-00	LIFTER, VALVE (O/S)	8	UR GREEN
	3FV-12153-10-00	LIFTER, VALVE	8	UR YELLOW



3LE332-9040

CAMSHAFT - CHAIN

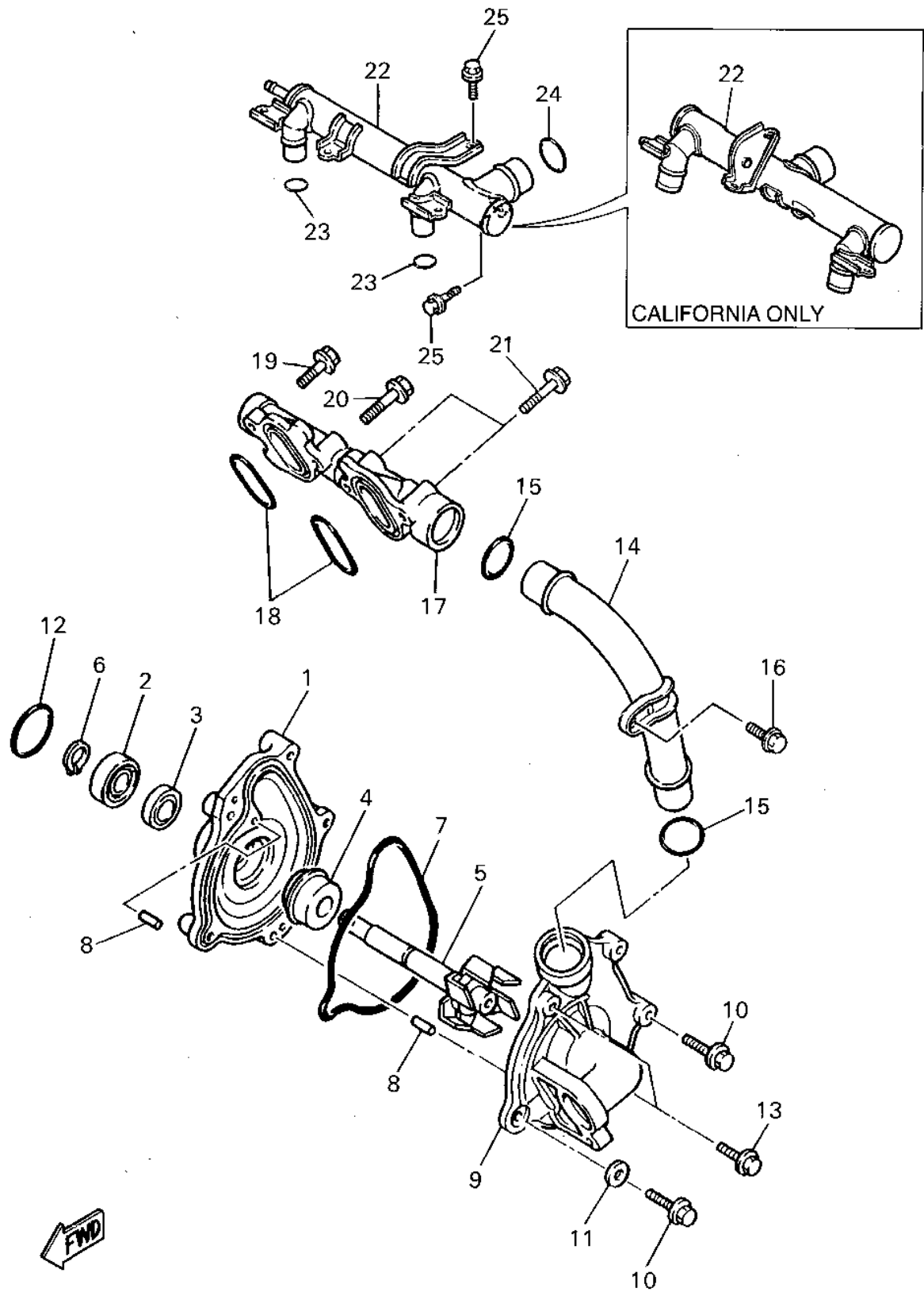


Ref. No.	Part Number	Description	Qty	Remarks
1	4HD-12171-00-00	CAMSHAFT 1	1	
2	4HD-12181-00-00	CAMSHAFT 2	1	
3	3GM-12176-00-00	SPROCKET, CAM CHAIN	2	
4	90105-07342-00	BOLT, WASHER BASED	4	
5	94580-81104-00	CHAIN (DID219FTS-104L)	1	
6	94680-81021-00	. JOINT, CHAIN	1	
7	2GH-12241-00-00	GUIDE, STOPPER 2	1	
8	4FM-12210-00-00	TENSIONER ASSEMBLY, CAM CHAIN	1	
9	90109-112F1-00	BOLT	1	
10	4FM-12213-00-00	GASKET, TENSIONER CASE ..	1	
11	91311-06025-00	BOLT, SOCKET HEAD	2	
12	3FV-12251-00-00	DAMPER, CHAIN 1	1	
13	4FM-12252-00-00	DAMPER, CHAIN 2	1	
14	90109-065A8-00	BOLT	2	



4HD300-3050

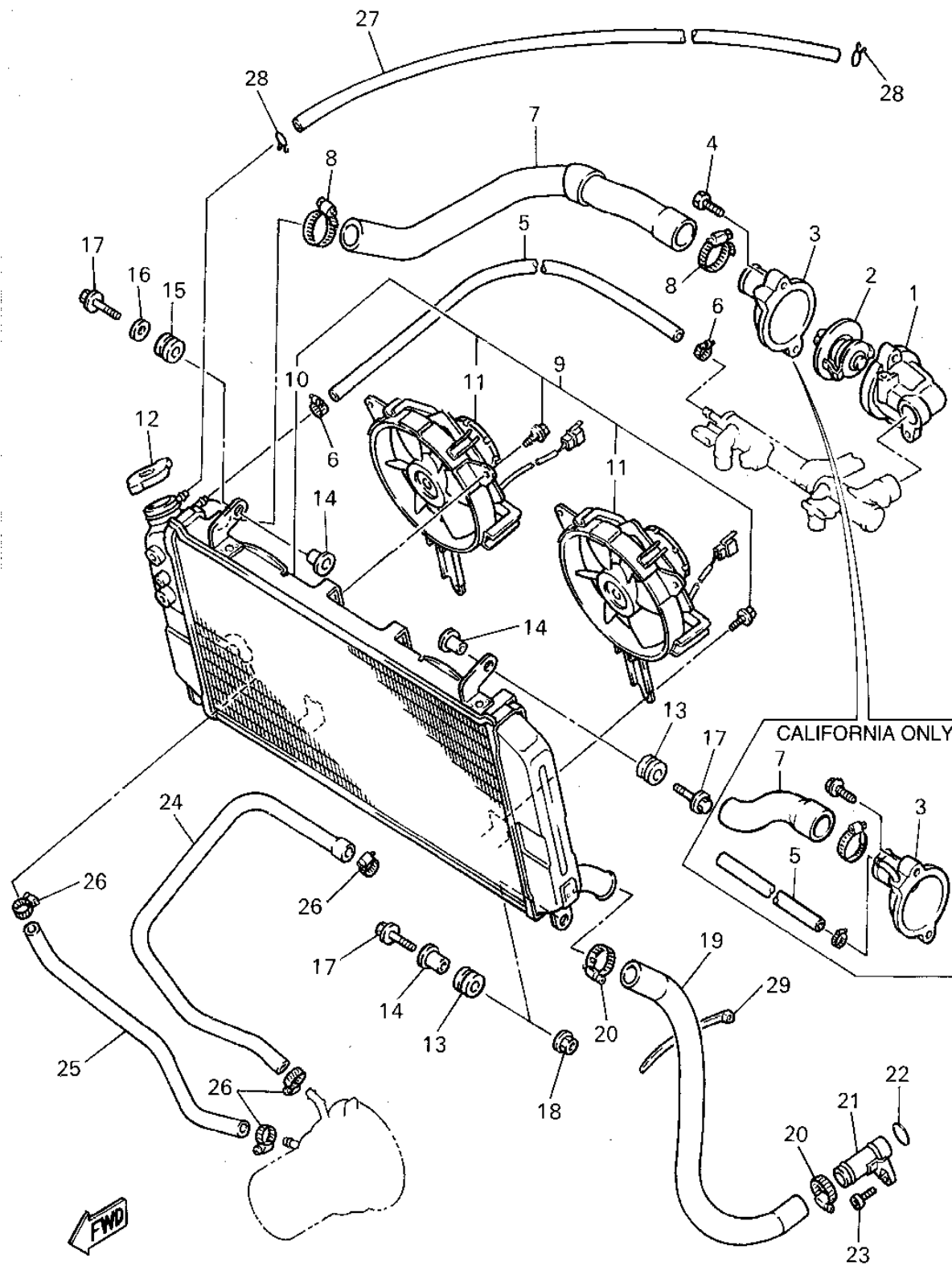
WATER PUMP



Ref. No.	Part Number	Description	Qty	Remarks
1	1UF-12421-09-00	HOUSING, WATER PUMP	1	
2	93306-00106-00	BEARING	1	
3	93101-12060-00	OIL SEAL	1	
4	11H-12438-00-00	SEAL, MECHANICAL	1	
5	1UF-12450-00-00	IMPELLER SHAFT ASSEMBLY	1	
6	99009-12400-00	CIRCLIP	1	
7	1AE-12439-00-00	O-RING	1	
8	93604-10011-00	PIN, DOWEL	2	
9	3GM-12422-00-00	COVER, HOUSING	1	
10	95023-06025-00	BOLT, FLANGE	3	
11	90430-06014-00	GASKET	1	
12	93210-33133-00	O-RING	1	
13	95021-06050-00	BOLT, FLANGE	2	
14	1AE-12481-01-00	PIPE 1	1	
15	93210-23787-00	O-RING	2	
16	95023-06012-00	BOLT, FLANGE	1	
17	3FV-12469-00-00	JOINT 1	1	
18	93210-30694-00	O-RING	2	
19	95023-06020-00	BOLT, FLANGE	1	
20	95023-06030-00	BOLT, FLANGE (95021-06030)	1	
21	95023-06040-00	BOLT, FLANGE (1YW)	2	
22	3GM-12482-00-00	PIPE 2	1	UR FOR CA
	4FN-12482-00-00	PIPE 2	1	UR
23	93210-18417-00	O-RING	2	
24	93210-23787-00	O-RING	1	
25	95023-06010-00	BOLT, FLANGE	2	

4LE110-4060

RADIATOR - HOSE

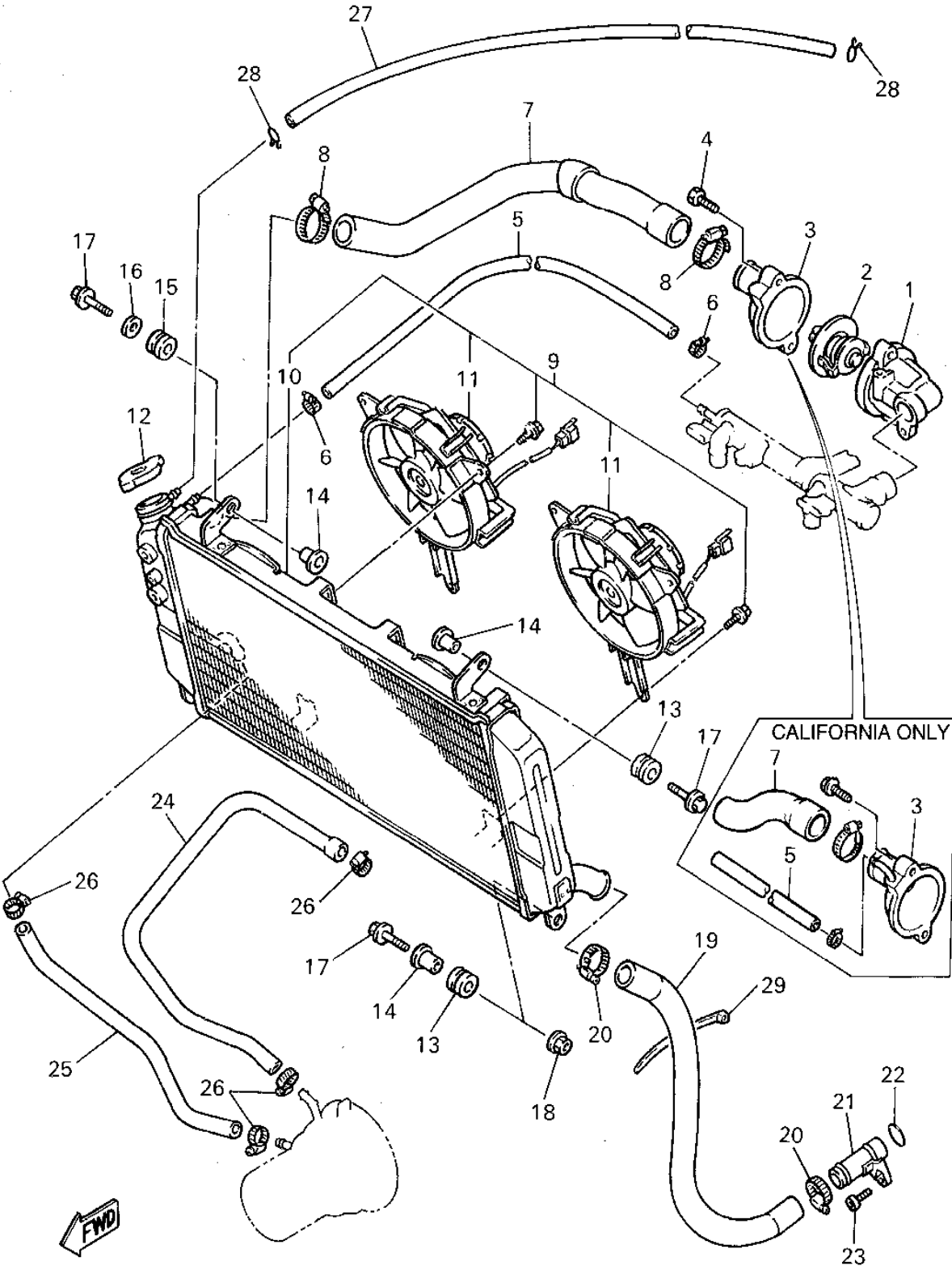


4LE110-4070

Ref. No.	Part Number	Description	Qty	Remarks
1	3GM-12417-00-00	HOUSING, THERMOSTAT	1	
2	4FM-12410-00-00	THERMOSTAT ASSEMBLY	1	
3	3FV-1240G-00-00	THERMOSTAT COVER ASSEMBLY	1	UR FOR CA
	3GM-12413-00-00	COVER, THERMOSTAT	1	UR
4	95023-06025-00	BOLT, FLANGE	2	
5	90445-120J1-00	HOSE	1	UR FOR CA
	90445-126H7-00	HOSE	1	UR
6	90467-11090-00	CLIP	2	
7	4FN-12576-01-00	HOSE 1	1	UR
	4LE-12576-00-00	HOSE 1	1	UR FOR CA
8	90450-38040-00	HOSE CLAMP ASSEMBLY	2	
9	4FM-1240A-01-00	RADIATOR ASSEMBLY (4FM-12461-00-00)	1	
10	4FM-1240A-01-00	RADIATOR ASSEMBLY (4FM-12461-00-00)	1	
11	4FM-12405-01-00	BLOWER ASSEMBLY	2	
12	22W-12462-00-00	CAP, RADIATOR	1	
13	90480-15363-00	GROMMET	3	
14	90387-07391-00	COLLAR	4	
15	90480-10542-00	GROMMET	1	
16	90201-063J2-00	WASHER, PLATE	1	
17	95816-06025-00	BOLT, FLANGE	4	
18	95701-06500-00	NUT, FLANGE	2	
19	4FM-12579-01-00	HOSE 4	1	
20	90450-38040-00	HOSE CLAMP ASSEMBLY	2	
21	2GH-12484-00-00	PIPE 4	1	
22	93210-23787-00	O-RING	1	
23	90110-06142-00	BOLT, HEXAGON SOCKET HEAD	1	

CONTINUED ON NEXT FRAME ►

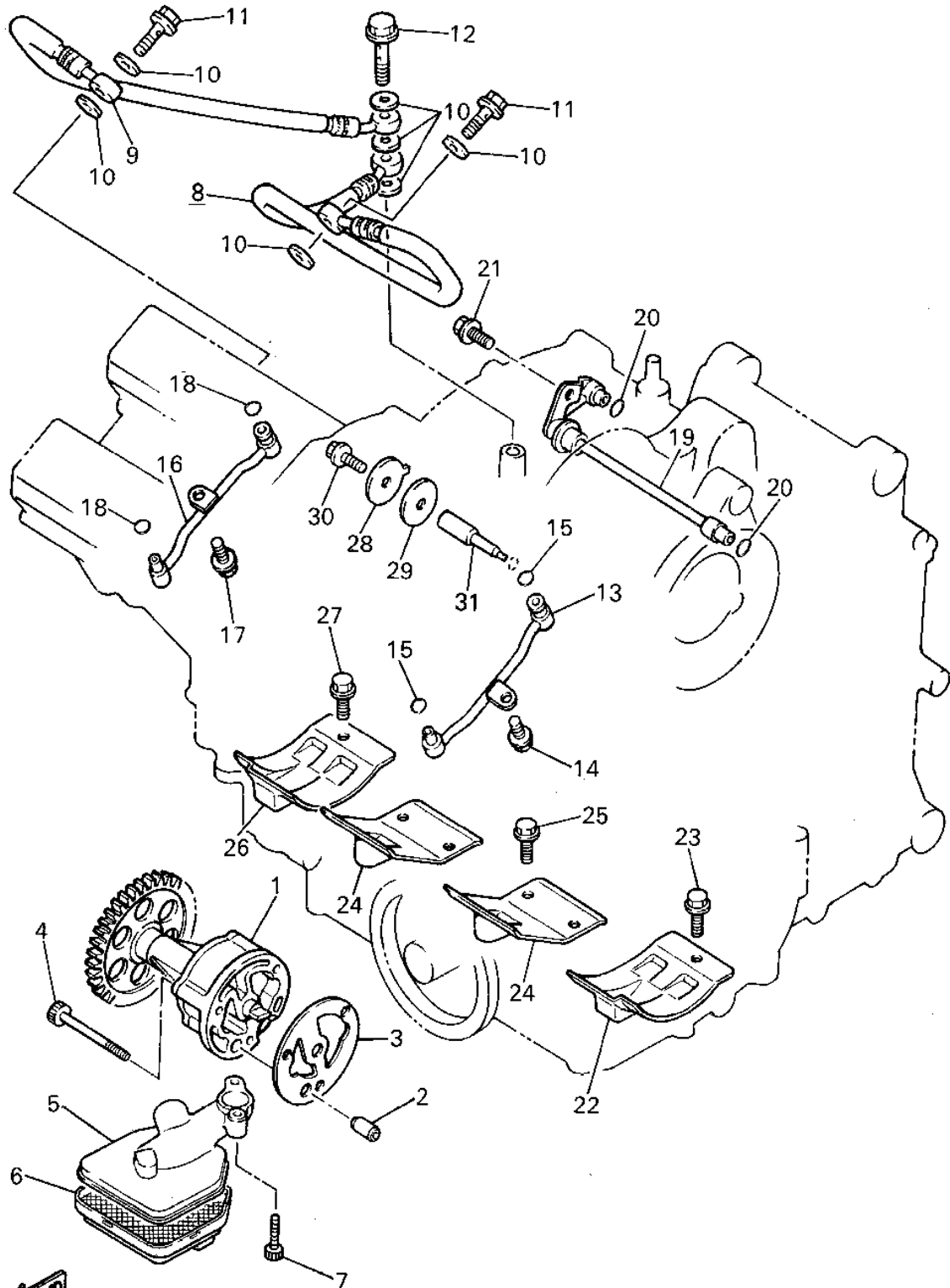
RADIATOR - HOSE



Ref. No.	Part Number	Description	Qty	Remarks
24	4FM-12588-01-00	HOSE 5	1	
25	4FM-12589-01-00	HOSE 6	1	
26	90450-22052-00	HOSE CLAMP ASSEMBLY ...	4	
27	90445-096F4-00	HOSE	1	
28	90467-08003-00	CLIP	2	
29	90464-13080-00	CLAMP	1	

4LE110-4070

OIL PUMP



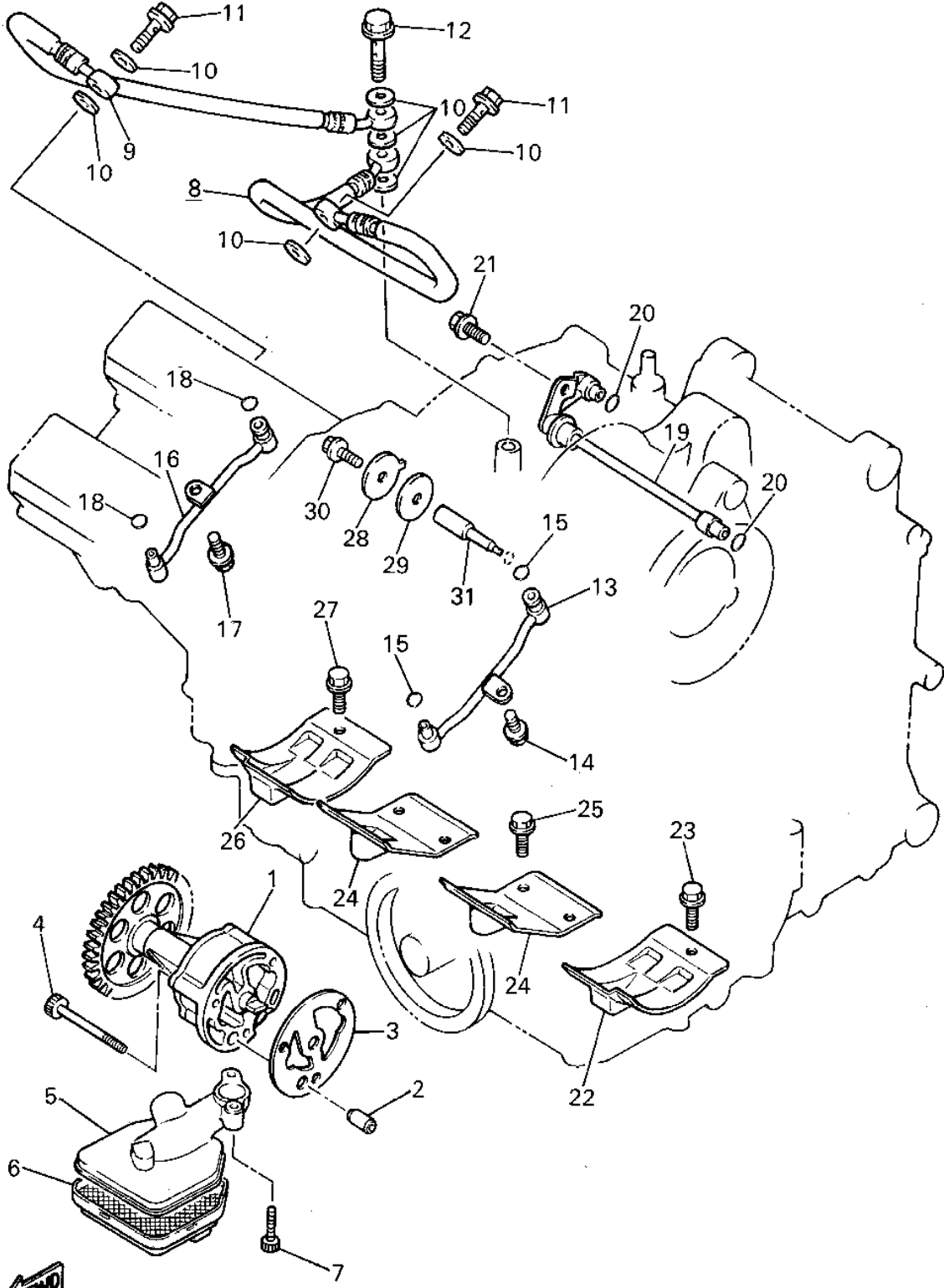
Ref. No.	Part Number	Description	Qty	Remarks
1	1AE-13300-00-00	OIL PUMP ASSEMBLY	1	
2	99510-08012-00	PIN, DOWEL	1	
3	2GH-13329-00-00	GASKET, PUMP COVER	1	
4	91316-06050-00	BOLT, SOCKET HEAD	3	
5	3GM-13412-50-00	HOUSING, STRAINER	1	
6	4FM-13411-00-00	STRAINER, OIL	1	
7	90110-06138-00	BOLT, HEX SKT HEAD	2	
8	4BH-1316F-00-00	HOSE, OIL 1	1	
9	4BH-1316G-00-00	HOSE, OIL 2	1	
10	90430-10171-00	GASKET	7	
11	90401-10096-00	BOLT, UNION	2	
12	90401-10044-00	BOLT, UNION	1	
13	3GM-13181-00-00	PIPE, DELIVERY 3	1	
14	95026-06012-00	BOLT, FLANGE	1	
15	93210-06632-00	O-RING	2	
16	3GM-13191-00-00	PIPE, DELIVERY 4	1	
17	95026-06012-00	BOLT, FLANGE	1	
18	93210-06632-00	O-RING	2	
19	1AE-1316E-00-00	PIPE, DELEVERY 5	1	
20	93210-07135-00	O-RING	2	
21	95026-06012-00	BOLT, FLANGE	1	
22	2GH-15123-00-00	PLATE, BUFFLE 1	1	
23	95026-06012-00	BOLT, FLANGE	2	
24	1AE-15124-00-00	PLATE, BUFFLE 2	2	
25	95026-06012-00	BOLT, FLANGE	6	
26	2GH-15133-00-00	PLATE, BUFFLE 3	1	
27	95026-06012-00	BOLT, FLANGE	2	
28	90201-061M7-00	WASHER, PLATE	1	
29	4FM-13475-00-00	GASKET	1	

CONTINUED ON NEXT FRAME ➤

4HD300-3080



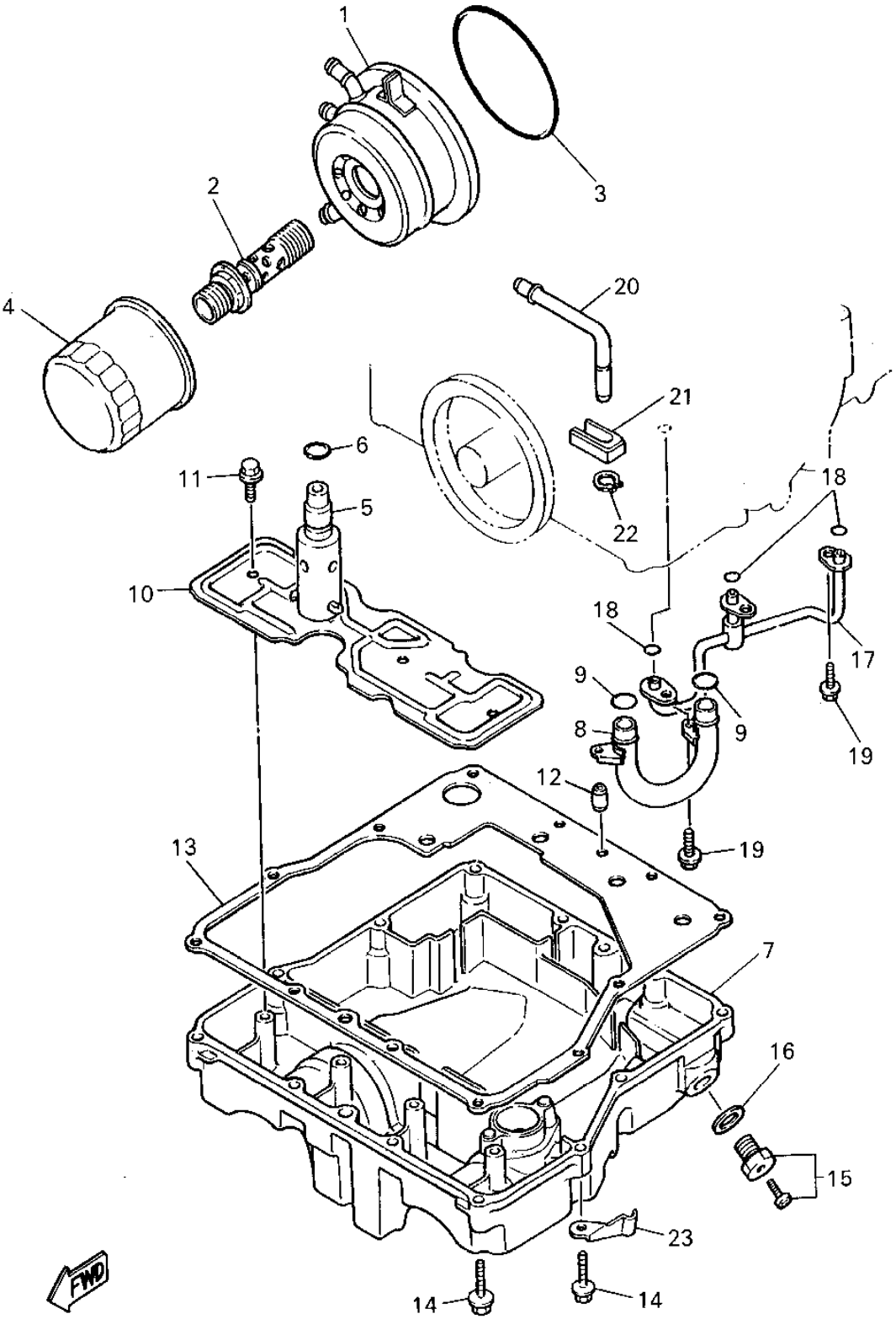
OIL PUMP



Ref. No.	Part Number	Description	Qty	Remarks
30	95811-06016-00	BOLT, FLANGE (95822-06016)	1	
31	3GM-13454-00-00	NOZZLE	1	

4HD300-3080

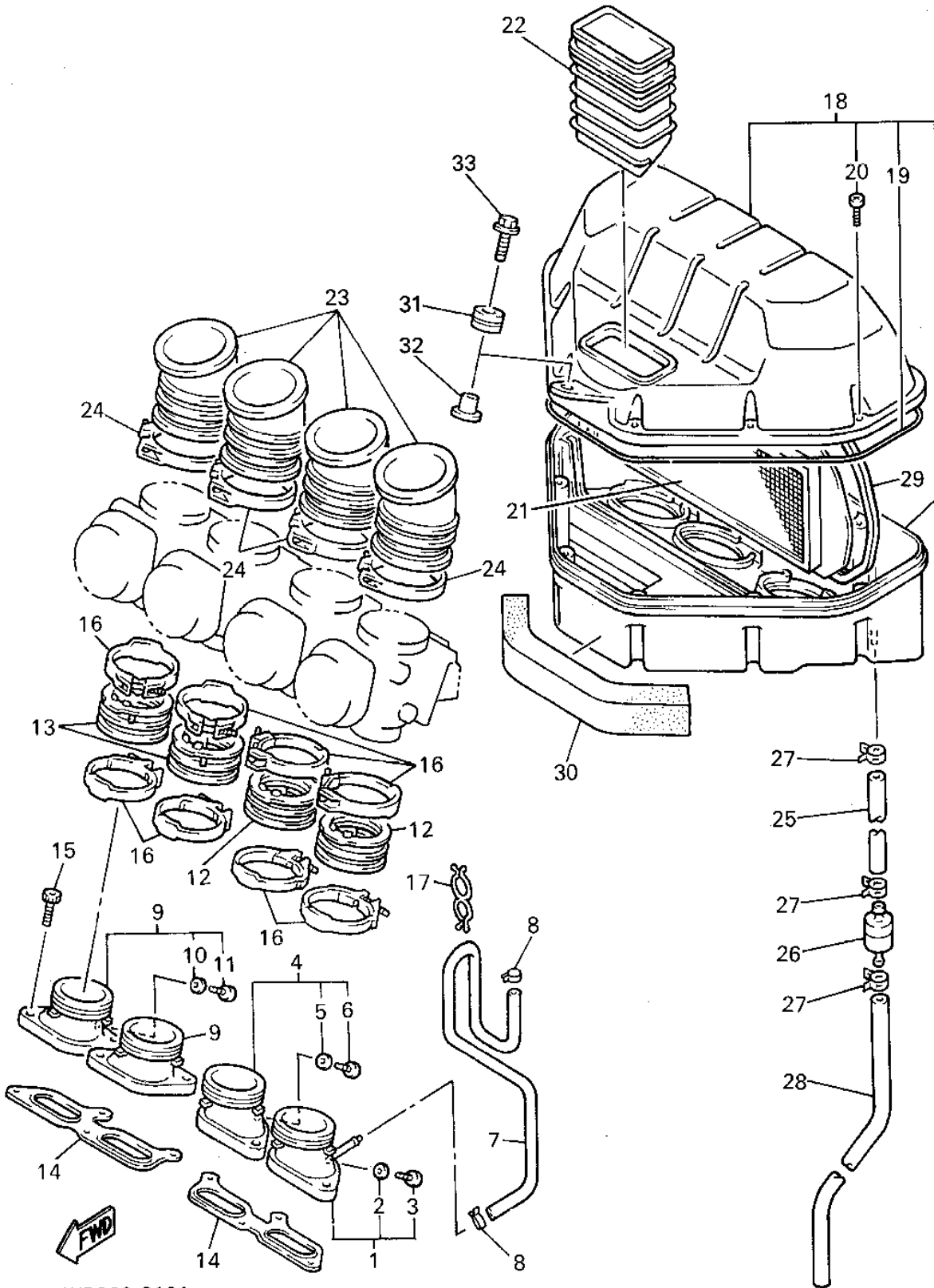
OIL CLEANER



Ref. No.	Part Number	Description	Qty	Remarks
1	4FM-13470-00-00	OIL COOLER ASSEMBLY	1	
2	90401-20161-00	BOLT, UNION	1	
3	93210-87723-00	O-RING	1	
4	3FV-13440-00-00	ELEMENT ASSEMBLY, OIL CLEANER	1	
5	3KS-13490-00-00	RELIEF VALVE ASSEMBLY	1	
6	93210-15566-00	O-RING	1	
7	4FM-13417-00-00	COVER, STRAINER	1	
8	3FV-13416-01-00	PIPE, OIL 1	1	
9	93210-14579-00	O-RING	2	
10	3GM-13337-00-00	PLATE, BAFFLE LOWER	1	
11	95026-06010-00	BOLT, FLANGE	4	
12	99510-08016-00	PIN, DOWEL	2	
13	4FM-13414-00-00	GASKET, STRAINER COVER	1	
14	95023-06030-00	BOLT, FLANGE (95021-06030)	12	
15	3VD-13455-00-00	PLUG	1	
16	214-11198-01-00	GASKET	1	
17	3GM-13161-01-00	PIPE, DELIVERY 1	1	
18	93210-06714-00	O-RING	3	
19	95026-06012-00	BOLT, FLANGE	3	
20	3GM-15373-00-00	PIPE, BREATHER	1	
21	3GM-13174-00-00	HOLDER, OIL PIPE	1	
22	99009-10400-00	CIRCLIP	1	
23	90465-08076-00	CLAMP	1	

4LE110-4090

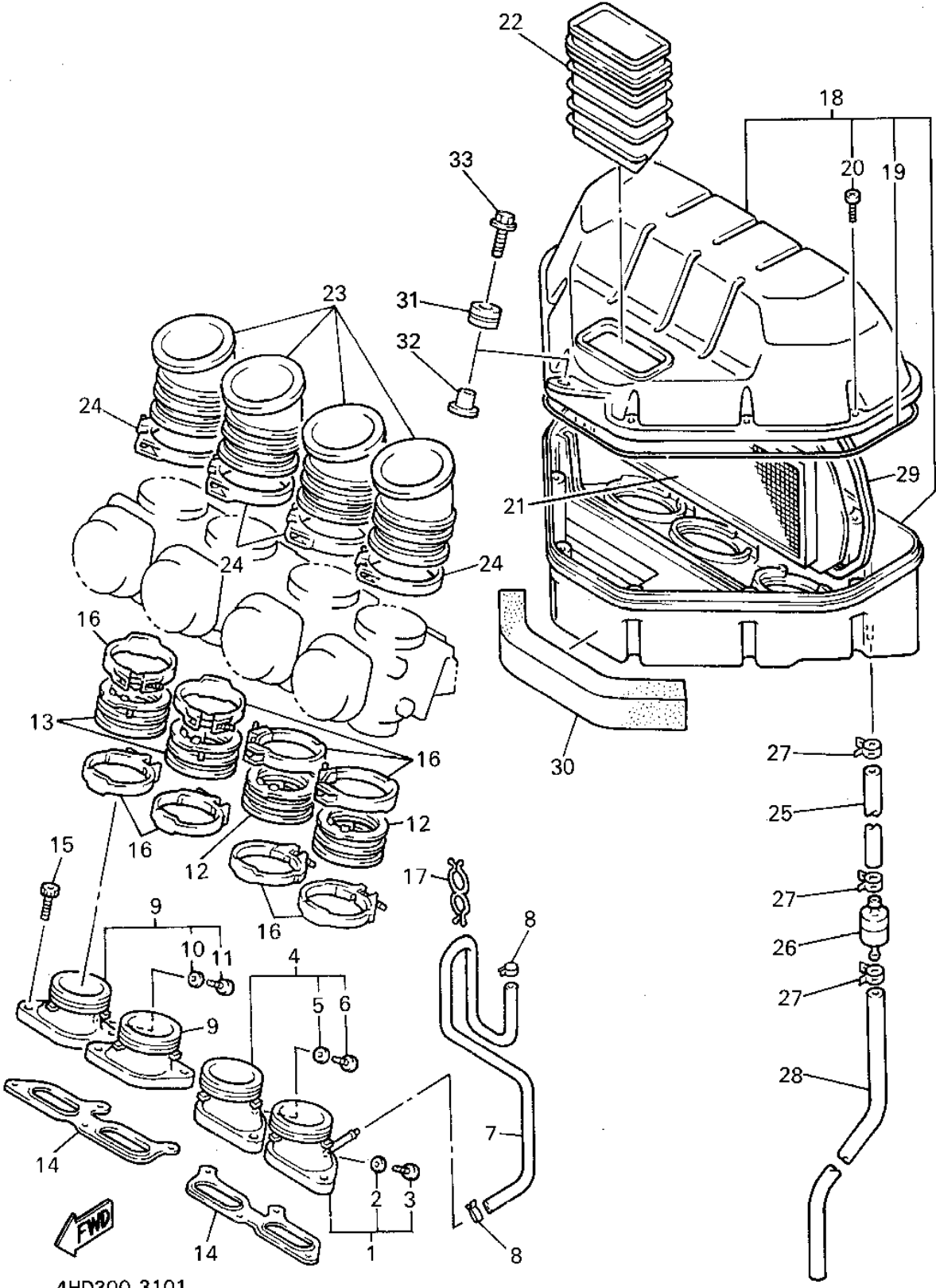
INTAKE



Ref. No.	Part Number	Description	Qty	Remarks
1	4FN-13586-00-00	JOINT, CARBURETOR 1	1	
2	90430-06014-00	. GASKET	1	
3	91312-06012-00	. BOLT	1	
4	4FM-13586-00-00	JOINT, CARBURETOR 1	1	
5	90430-06014-00	. GASKET	1	
6	91312-06012-00	. BOLT	1	
7	3FV-2416A-00-00	HOSE	1	
8	90467-08092-00	CLIP	2	
9	4FM-13596-00-00	JOINT, CARBURETOR 2	2	
10	90430-06014-00	. GASKET	1	
11	91312-06012-00	. BOLT	1	
12	3GM-13597-00-00	JOINT, CARBURETOR 3	2	
13	3GM-13598-00-00	JOINT, CARBURETOR 4	2	
14	4FM-13556-01-00	GASKET, MANIFOLD	2	
15	91316-06020-00	BOLT, SOCKET HEAD	8	
16	90450-57034-00	HOSE CLAMP ASSEMBLY	8	
17	90464-17184-00	CLAMP	1	
18	4FM-14401-00-00	AIR CLEANER CASE ASSEMBLY	1	
19	4FM-14452-00-00	. SEAL	1	
20	97780-50125-00	. SCREW, TAPPING	8	
21	4FM-14451-00-00	ELEMENT, AIR CLEANER	1	
22	4FM-14437-00-00	DUCT	1	
23	4FM-14453-00-00	JOINT, AIR CLEANER 1	4	
24	90450-67066-00	HOSE CLAMP ASSEMBLY	4	
25	1HX-1443E-00-00	PIPE, DRAIN	1	
26	4X7-2149Y-00-00	FILTER ASSEMBLY	1	
27	90467-11106-00	CLIP	3	
28	90445-116H6-00	HOSE	1	

CONTINUED ON NEXT FRAME ►

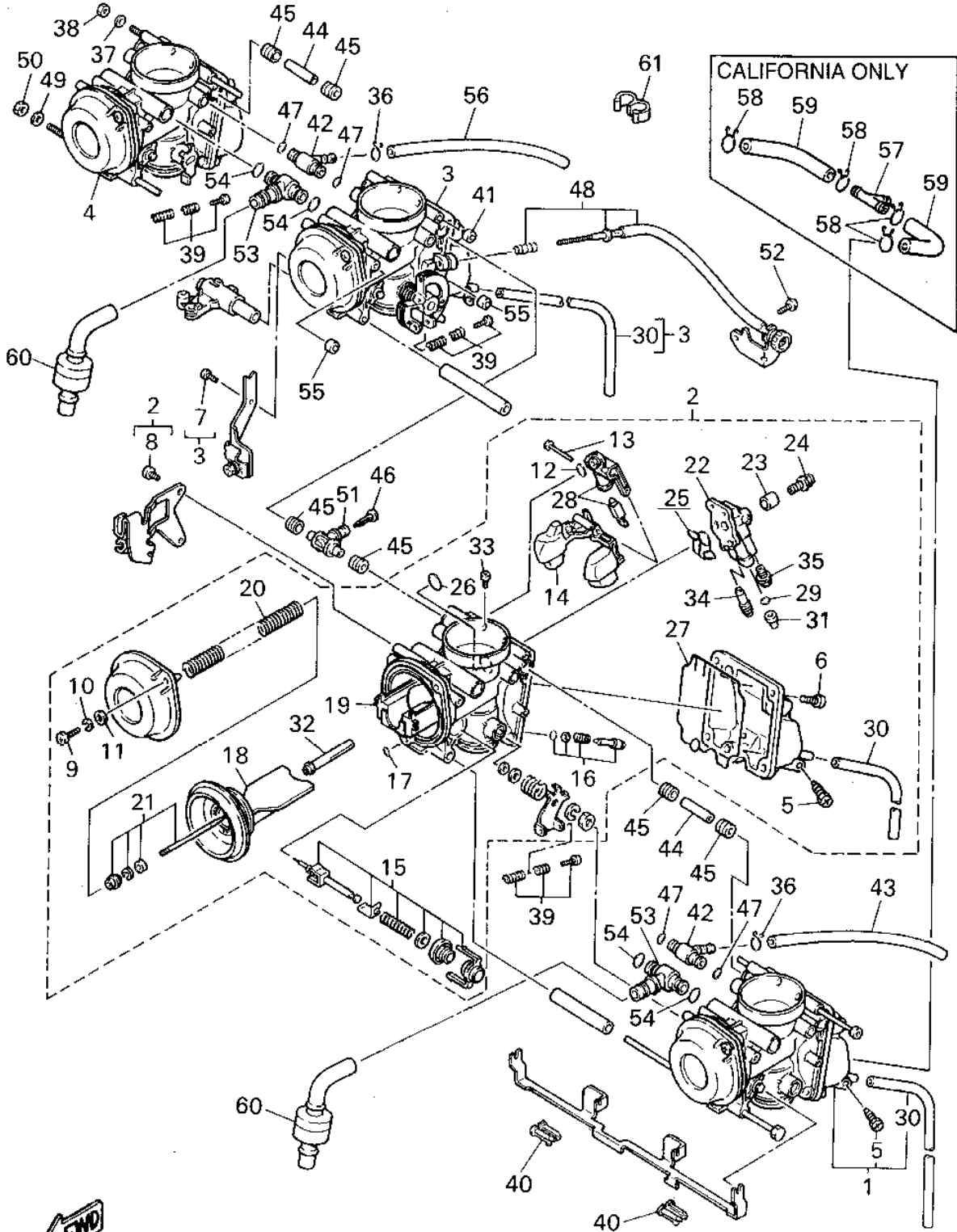
INTAKE



Ref. No.	Part Number	Description	Qty	Remarks
29	4FM-14462-00-00	SEAL	1	
30	4FN-14467-00-00	SEAL	1	
31	90480-12314-00	GROMMET	1	
32	90387-065J6-00	COLLAR	1	
33	95811-06020-00	BOLT, FLANGE	1	

4HD300-3101

CARBURETOR

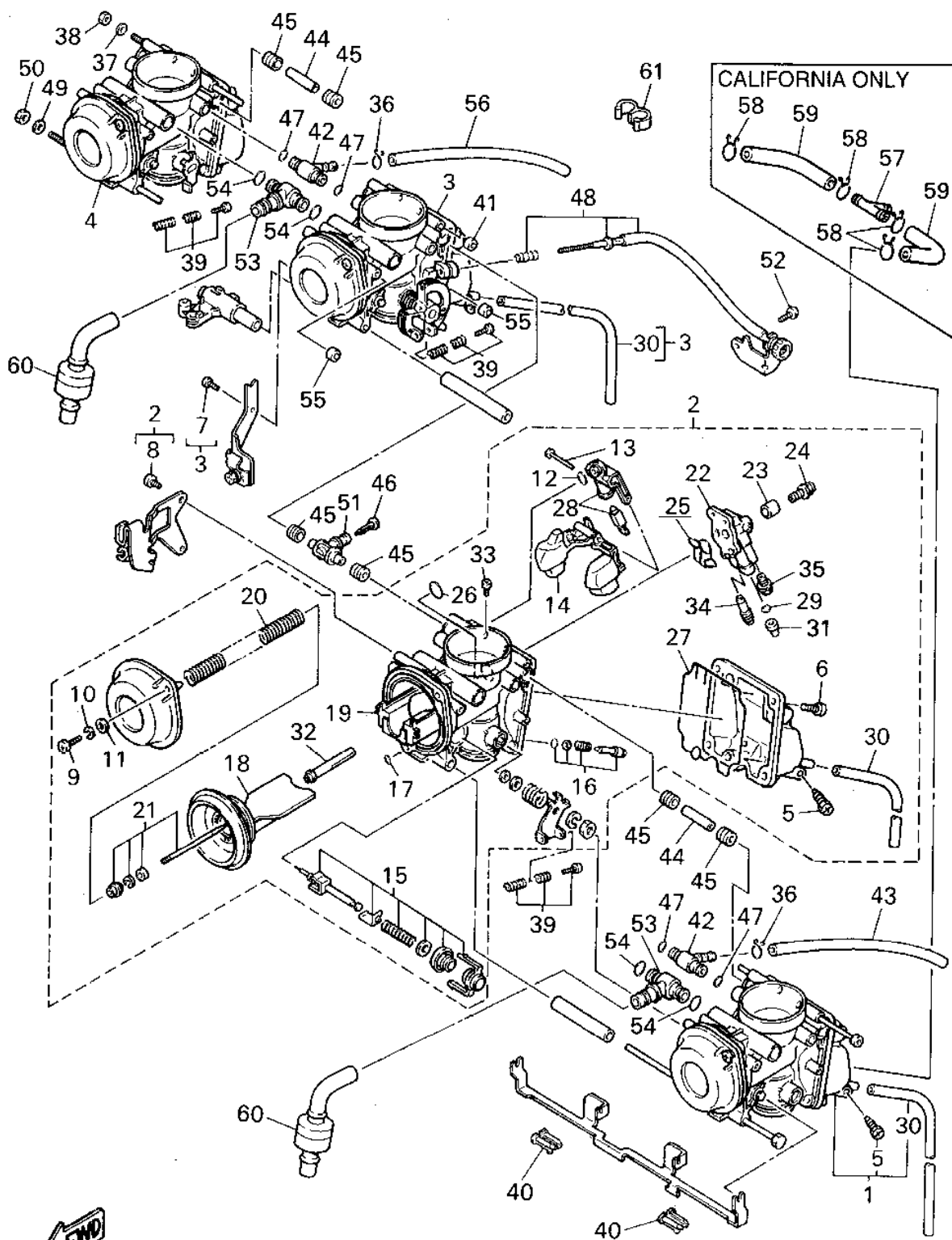


Ref. No.	Part Number	Description	Qty	Remarks
1	4LE-14901-00-00	CARBURETOR ASSEMBLY 1	1	UR
	4LE-14901-10-00	CARBURETOR ASSEMBLY 1	1	UR FOR CA
2	4LE-14902-00-00	CARBURETOR ASSEMBLY 2	1	UR
	4LE-14902-10-00	CARBURETOR ASSEMBLY 2	1	UR FOR CA
3	4LE-14903-00-00	CARBURETOR ASSEMBLY 3	1	UR
	4LE-14903-10-00	CARBURETOR ASSEMBLY 3	1	UR FOR CA
4	4LE-14904-00-00	CARBURETOR ASSEMBLY 4	1	UR
	4LE-14904-10-00	CARBURETOR ASSEMBLY 4	1	UR FOR CA
5	3FV-14191-00-00	. PLUG, DRAIN	1	
6	91316-05012-00	. BOLT	4	
7	98580-04008-00	. SCREW, PAN HEAD	1	
8	98580-04008-00	. SCREW, PAN HEAD	2	
9	98586-05016-00	. SCREW, PAN HEAD	2	
10	92906-05100-00	. WASHER, SPRING	2	
11	92906-05600-00	. WASHER, PLATE	2	
12	3EN-14147-00-00	. O-RING	1	
13	53L-14186-00-00	. PIN, FLOAT	1	
14	3GM-14985-00-00	. FLOAT	1	
15	3EN-1410A-01-00	. STARTER SET	1	
16	12R-14105-00-00	. PILOT SCREW SET	1	
17	3FV-14147-00-00	. O-RING	1	
18	3GM-14940-00-00	. DIAPHRAGM ASSEMBLY	1	
19	3GM-1411E-00-00	. BLOCK, JET	1	
20	3LD-14933-00-00	. SPRING, DIAPHRAGM	1	
21	4LE-1490J-00-00	. NEEDLE SET	1	
22	4HD-1411A-00-00	. BLOCK JET ASSEMBLY	1	
23	3GM-14153-00-00	. WASHER, MAIN JET	1	
24	4HD-14565-00-00	. SCREW	1	
25	3LF-14147-00-00	. O-RING	1	

CONTINUED ON NEXT FRAME ➤

4LE110-4110

CARBURETOR

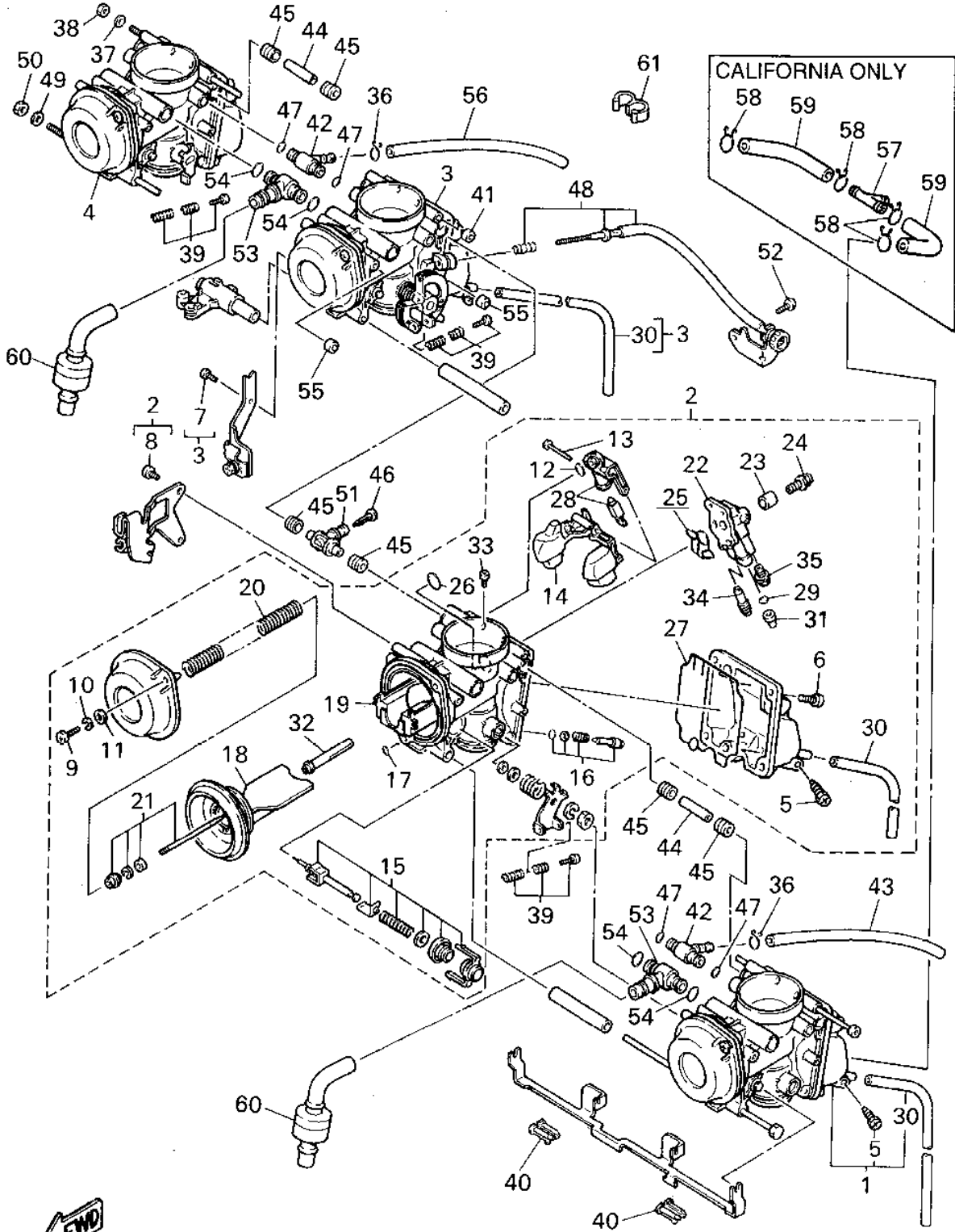


Ref. No.	Part Number	Description	Qty	Remarks
26	1AE-14147-00-00	. O-RING	1	
27	3GM-14997-00-00	. SEAL	1	
28	3GM-14107-10-00	. NEEDLE VALVE SET	1	
29	3LD-14147-00-00	. O-RING	1	
30	3LK-14987-00-00	. HOSE	1	
31	3LD-1414A-75-00	. JET, MAIN (#122.5)	1	
32	3GM-14141-08-00	. NOZZLE, MAIN	1	
33	830-1414A-75-00	. JET, MAIN (#122.5)	1	
34	4HR-14142-35-00	. JET, PILOT (# 35)	1	
35	620-1423A-62-00	. JET, MAIN (# 57.5)	1	
36	8U9-14139-00-00	CLIP, PIPE	2	
37	92901-05600-00	WASHER, PLATE	1	
38	95380-05600-00	NUT	1	
39	3EN-1490K-00-00	STOP SCREW SET	3	
40	3EN-14261-00-00	HOLDER	2	
41	3GM-14918-00-00	RING	1	
42	17A-14251-00-00	NIPPLE	2	
43	3FV-14197-00-00 3GM-14197-00-00	PIPE PIPE	1 1	UR FOR CA UR
44	3GM-14988-00-00	PIPE, STARTER CONNECTING	2	
45	3EN-14997-00-00	SEAL	6	
46	1KT-14994-00-00	NET, FILTER	1	
47	822-14147-00-00	O-RING	4	
48	3GM-14103-00-00	THROTTLE SCREW SET	1	
49	92990-06600-00	WASHER, PLATE	1	
50	95601-06200-00	NUT, U FLANGE	1	
51	3EN-14988-00-00	PIPE, STARTER CONNECTING	1	
52	98580-05008-00	SCREW, PAN HEAD (98501-05008-00)	1	

CONTINUED ON NEXT FRAME ►

4LE110-4110

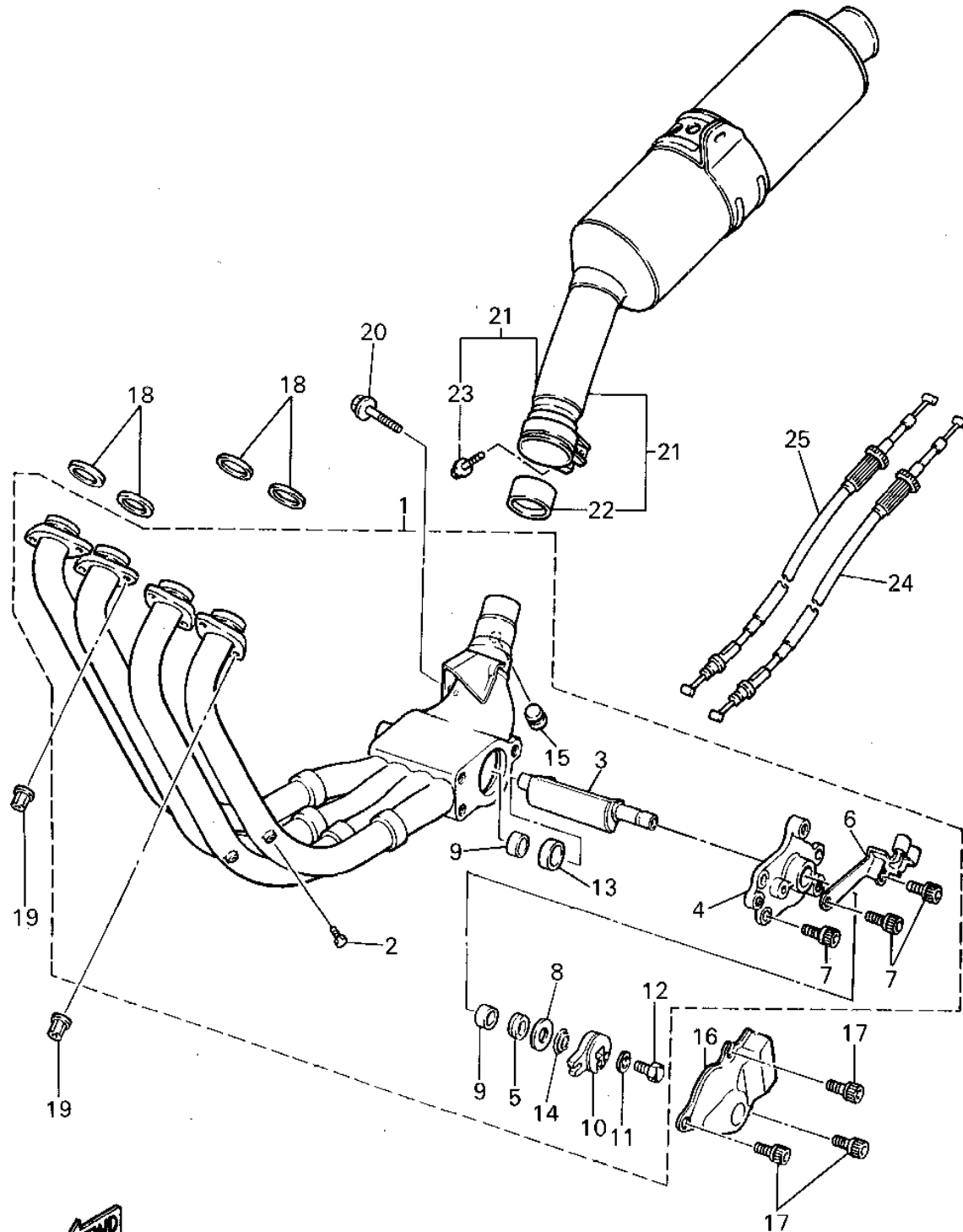
CARBURETOR



Ref. No.	Part Number	Description	Qty	Remarks
53	3GM-14251-00-00	NIPPLE	2	
54	3LK-14147-00-00	O-RING	4	
55	3GM-14992-00-00	ROD	2	
56	2LE-14197-00-00	PIPE	1	
57	3H3-24376-00-00	PIPE, JOINT 1	1	CA ONLY
58	4LE-14137-00-00	CLIP	4	CA ONLY
59	14X-14294-00-00	HOSE	2	CA ONLY
60	3GM-14197-00-00	PIPE	2	
61	90464-10075-00	CLAMP	1	UR FOR CA
	90464-10075-00	CLAMP	2	UR

4LE110-4110

EXHAUST

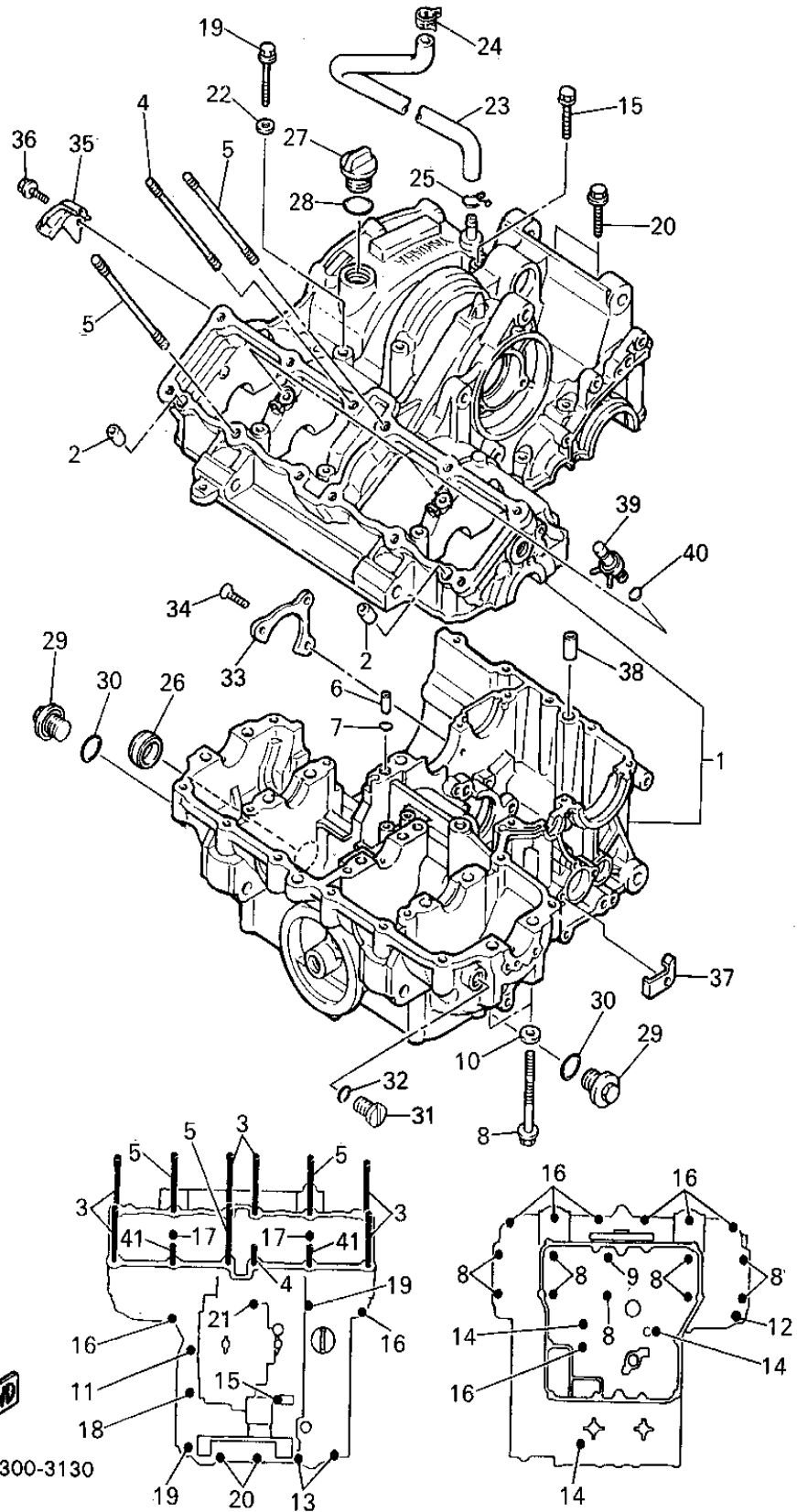


Ref. No.	Part Number	Description	Qty	Remarks
1	4FM-14610-01-00	EXHAUST PIPE ASSEMBLY 1	1	
2	90101-06576-00	. BOLT	4	
3	3GM-14821-00-00	. ARM, SHAFT (VALVE)	1	
4	3GM-14811-00-00	. HOUSING	1	
5	2TK-14845-00-00	. DUST SEAL ASSEMBLY	1	
6	2TK-14867-01-00	. BRACKET	1	
7	90119-06115-00	. BOLT, WITH WASHER	3	
8	90201-106M5-00	. WASHER, PLATE	1	
9	90380-10195-00	. BUSH, SOLID	2	
10	2TK-14865-01-00	. PULLEY	1	
11	92990-05200-00	. WASHER, PLAIN	1	
12	97395-05012-00	. BOLT HEX. HEAD	1	
13	90387-106U7-00	. COLLAR	1	
14	3GM-14683-00-00	. SPRING, HOOK	1	
15	4FM-24181-00-00	. DAMPER, LOCATING 1	1	
16	4HD-14826-00-00	PROTECTOR, EXHAUST	1	
17	90119-06187-00	BOLT, WITH WASHER	3	
18	4FM-14613-00-00	GASKET, EXHAUST PIPE	4	
19	90179-08410-00	NUT	8	
20	95816-08035-00	BOLT, FLANGE	1	
21	4HN-14710-01-00	MUFFLER ASSEMBLY 1	1	
22	3HE-14755-00-00	. GASKET, SILENCER	1	
23	95821-08025-00	. BOLT, FLANGE	1	
24	4FM-1133E-00-00	CABLE, PULLEY 1	1	
25	4FM-1133F-00-00	CABLE, PULLEY 2	1	



4HD300-3120

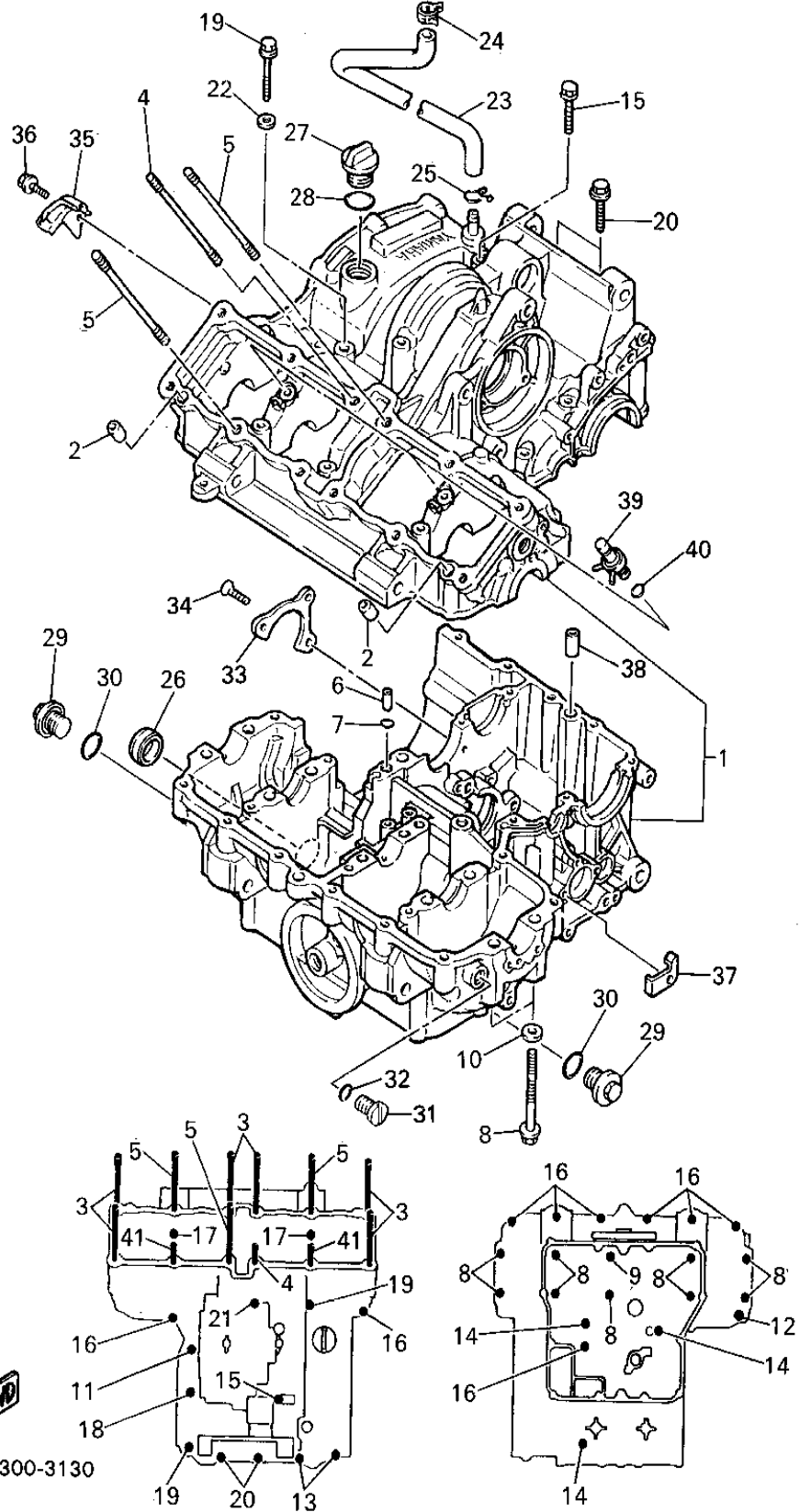
CRANKCASE



Ref. No.	Part Number	Description	Qty	Remarks
1	3GM-15100-52-00	CRANKCASE ASSEMBLY	1	
2	99530-10014-00	PIN, DOWEL	2	
3	90116-10529-00	BOLT, STUD	6	
4	90116-10528-00	BOLT, STUD	1	
5	90116-10569-00	BOLT, STUD	3	
6	90387-05383-00	COLLAR	1	
7	93210-07135-00	O-RING	1	
8	90105-09373-00	BOLT, WASHER BASED	9	
9	90105-09580-00	BOLT, WASHER BASED	1	
10	90201-096J9-00	WASHER, PLATE	4	
11	95811-06035-00	BOLT, FLANGE	1	
12	95811-08045-00	BOLT, FLANGE (JN5)	1	
13	95811-06060-00	BOLT, FLANGE	2	
14	95811-06080-00	BOLT, FLANGE	3	
15	95811-06140-00	BOLT, FLANGE	1	
16	95811-08045-00	BOLT, FLANGE (JN5)	9	
17	95811-08055-00	BOLT, FLANGE	2	
18	95811-08065-00	BOLT, FLANGE	1	
19	95811-08090-00	BOLT, FLANGE (95822-08090)	2	
20	95811-08060-00	BOLT, FLANGE	2	
21	90105-09555-00	BOLT, WASHER BASED	1	
22	90201-08087-00	WASHER, PLATE	1	
23	3FV-11166-00-00	PIPE, BREATHER 1	1	
24	90467-15054-00	CLIP	1	
25	90467-14015-00	CLIP	1	
26	90338-30096-00	PLUG	1	
27	3FV-15363-00-00	PLUG, OIL	1	
28	93210-27778-00	O-RING	1	
29	4H7-15189-00-00	PLUG	2	

CONTINUED ON NEXT FRAME ➤

CRANKCASE

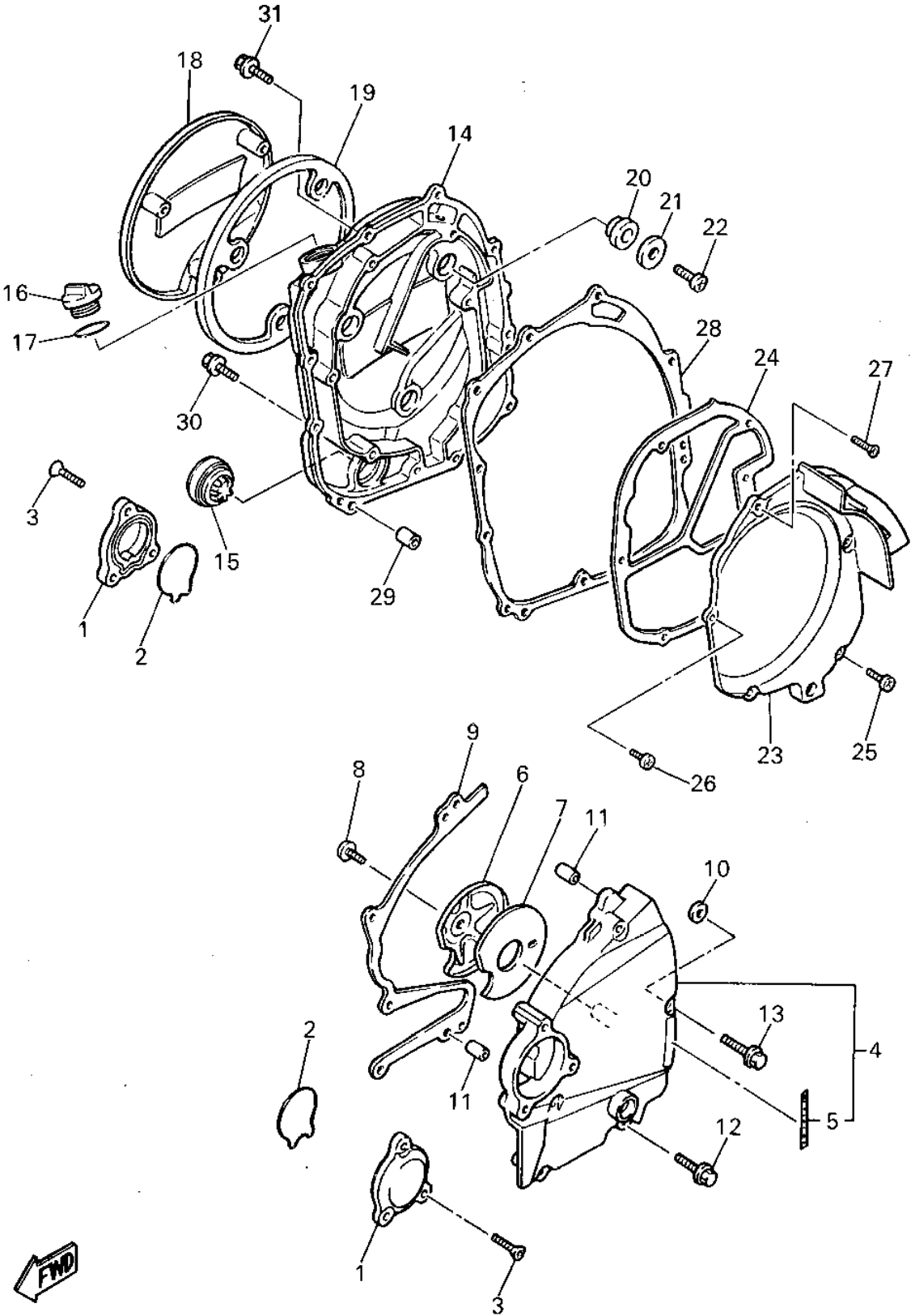


Ref. No.	Part Number	Description	Qty	Remarks
30	93210-20573-00	O-RING	2	
31	90340-14068-00	PLUG, STRAIGHT SCREW	1	
32	93210-14369-00	O-RING	1	
33	1AE-15383-00-00	PLATE, BEARING COVER	1	
34	90151-06014-00	SCREW, COUNTERSUNK	3	
35	90462-08184-00	CLAMP	1	
36	95023-06012-00	BOLT, FLANGE	1	
37	90462-08158-00	CLAMP	1	
38	99510-12016-00	PIN, DOWEL	1	
39	3FV-15105-00-00	NOZZLE ASSEMBLY	2	
40	93210-06632-00	O-RING	2	
41	90116-10568-00	BOLT, STUD	2	



4HD300-3130

CRANKCASE COVER 1



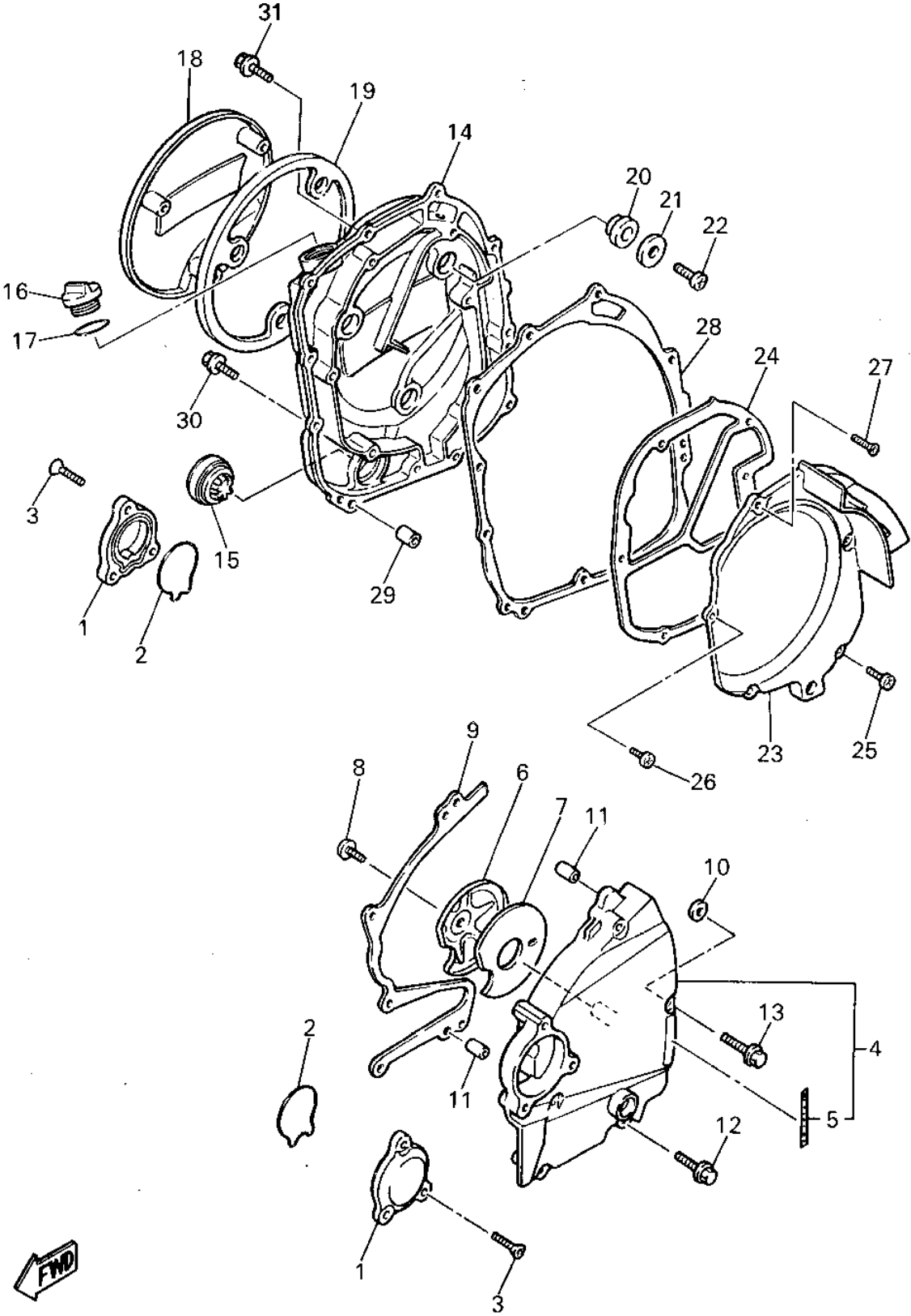
Ref. No.	Part Number	Description	Qty	Remarks
1	3GM-15416-00-00	COVER, OIL PUMP	2	
2	1AE-15456-00-00	GASKET, OIL PUMP COVER 1	2	
3	90152-06014-00	SCREW, COUNTERSUNK	6	
4	4FM-15410-00-00	CRANKCASE COVER ASSEMBLY 1	1	
5	1TV-15435-00-00	. EMBLEM	1	
6	3GM-15427-00-00	COVER, CAP 2	1	
7	1AE-15316-00-00	DAMPER, ENGINE MOUNT 1	1	
8	92011-06010-00	BOLT, BUTTON HEAD	1	
9	4FM-15451-00-00	GASKET, CRANKCASE COVER 1	1	
10	4FM-15467-00-00	GASKET	1	
11	99510-08012-00	PIN, DOWEL	2	
12	95023-06040-00	BOLT, FLANGE (1YW)	3	
13	95021-06050-00	BOLT, FLANGE	2	
14	4FM-15421-00-00	COVER, CRANKCASE 2	1	
15	3Y1-15361-00-00	GAUGE, LEVEL	1	
16	409-15363-01-00	PLUG, OIL LEVEL (4FM-15362-00-00)	1	
17	93210-27778-00	O-RING	1	
18	3GM-15417-00-00	COVER, CAP	1	
19	3GM-15449-00-00	RING, RUBBER	1	
20	4H7-15486-00-00	GROMMET	3	
21	90209-06096-00	WASHER	3	
22	98580-06010-00	SCREW, PAN HEAD (92503-06010)	3	
23	3GM-15346-00-00	BREATHER 1	1	
24	4FM-15463-00-00	GASKET, CARBURETOR COVER 2	1	
25	98580-06020-00	SCREW	4	

CONTINUED ON NEXT FRAME ➤



4HD300-3140

CRANKCASE COVER 1

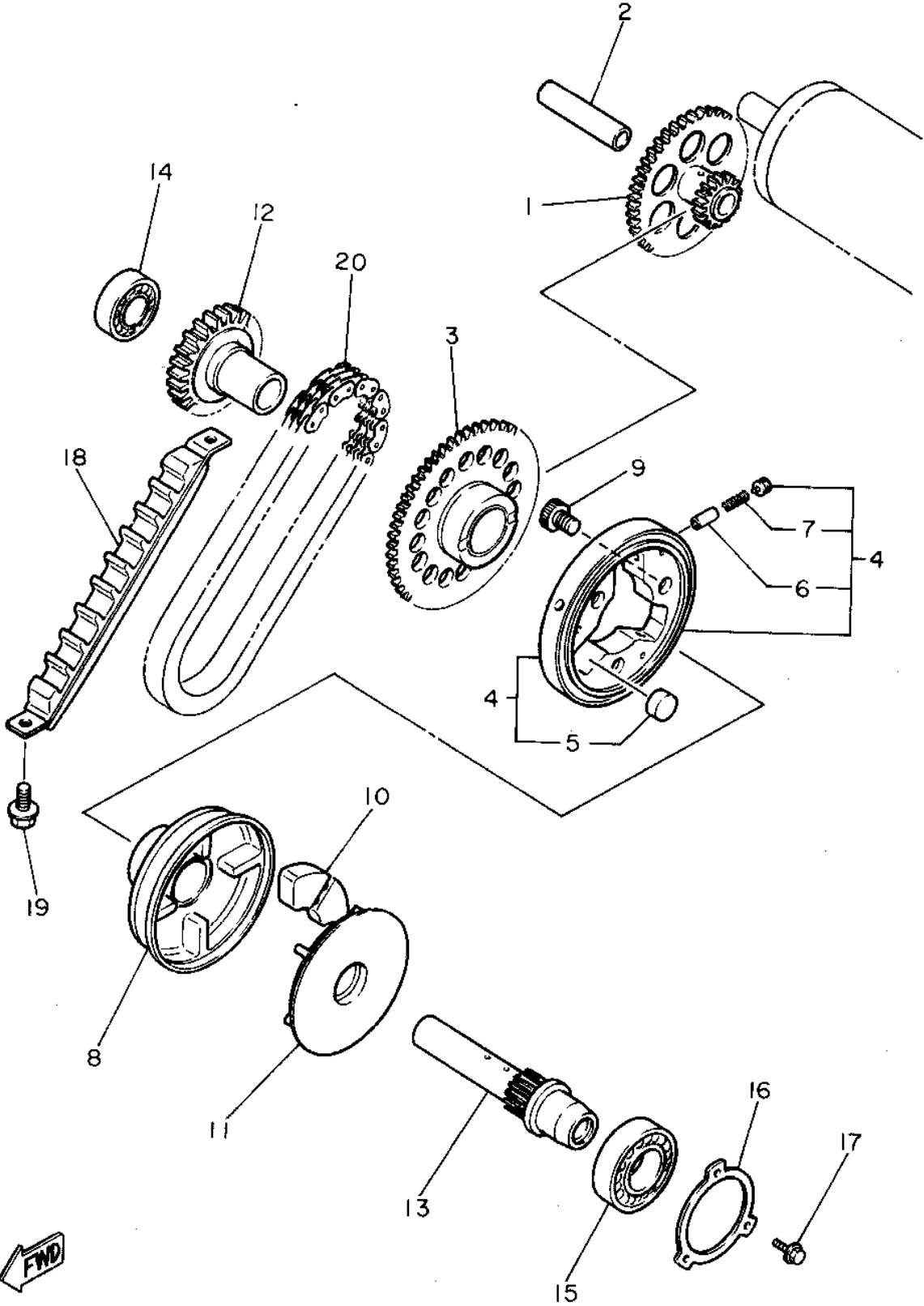


Ref. No.	Part Number	Description	Qty	Remarks
26	90157-06104-00	SCREW, PAN HEAD	1	
27	90152-06024-00	SCREW, COUNTERSUNK	1	
28	4FM-15461-00-00	GASKET, CRANKCASE COVER 2	1	
29	99510-08012-00	PIN, DOWEL	2	
30	95023-06030-00	BOLT, FLANGE (95021-06030)	2	
31	95023-06020-00	BOLT, FLANGE	9	



4HD300-3140

STARTER

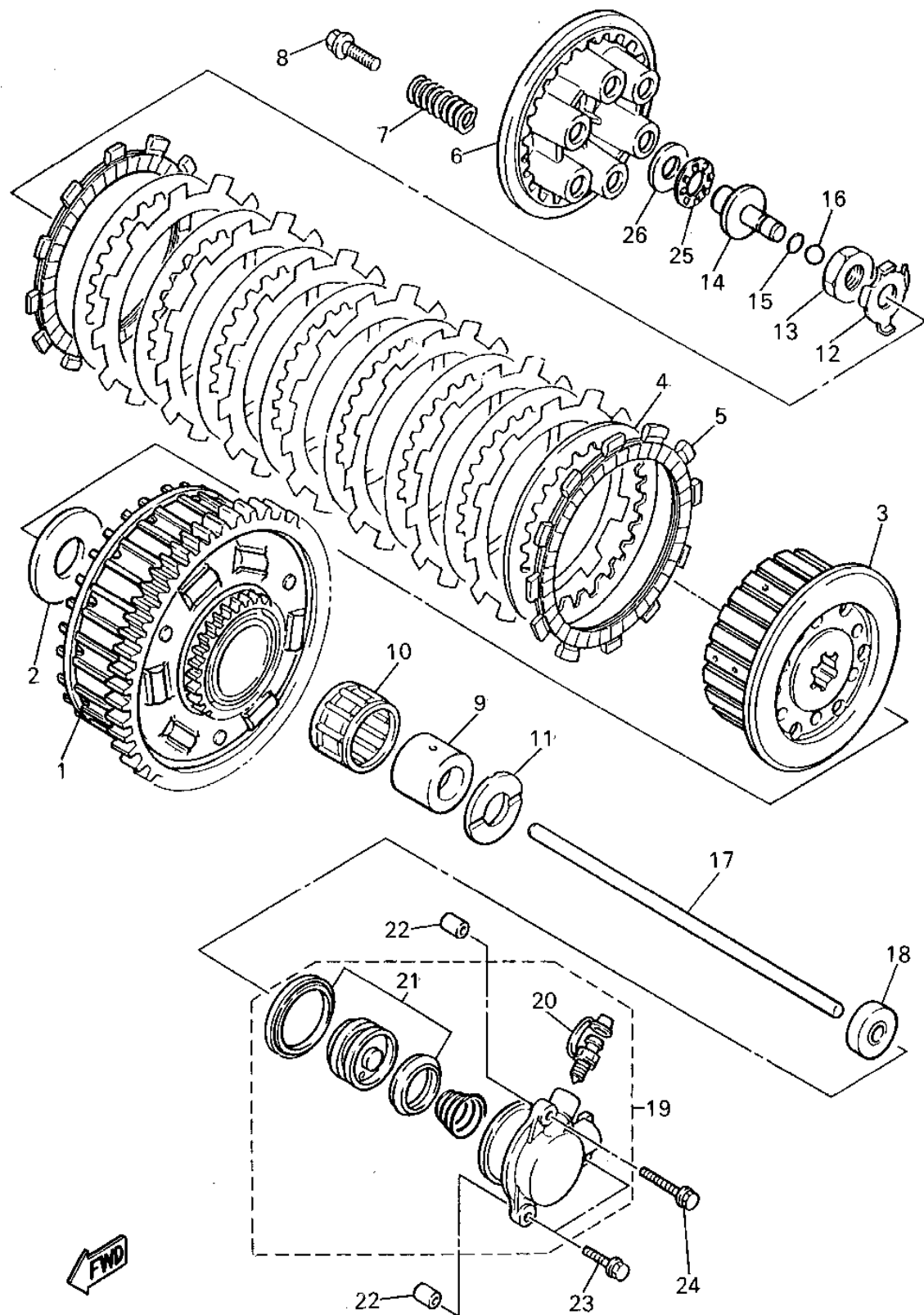


Ref. No.	Part Number	Description	Qty	Remarks
1	3GM-15512-00-00	GEAR, IDLER 1	1	
2	51Y-15521-00-00	SHAFT 1	1	
3	4BH-15517-00-00	GEAR, IDLER 2	1	
4	3GM-15580-00-00	STARTER CLUTCH OUTER ASSEMBLY	1	
5	93615-12088-00	. PIN, DOWEL	3	
6	1J7-15583-01-00	. CAP, STARTER CLUTCH SPRING	3	
7	90501-04623-00	. SPRING, COMPRESSION	3	
8	3GM-15524-00-00	WHEEL, STARTER	1	
9	90110-08177-00	BOLT, HEXAGON SOCKET HEAD	3	
10	4H7-16155-01-00	ABSORBER 1	4	
11	3GM-15689-00-00	RETAINER	1	
12	3GM-15519-00-00	SPROCKET, STARTER 2	1	
13	3GM-15522-00-00	SHAFT 2	1	
14	93306-20335-00	BEARING	1	
15	93306-20541-00	BEARING (B6205)	1	
16	1AE-15381-00-00	PLATE, BEARING COVER	1	
17	95026-06016-00	BOLT, FLANGE	3	
18	3GM-11474-00-00	GUIDE, UPPER	1	
19	95816-06014-00	BOLT, FLANGE	2	
20	4FM-11456-00-00	CHAIN, PRIMARY	1	



3KS351-9150

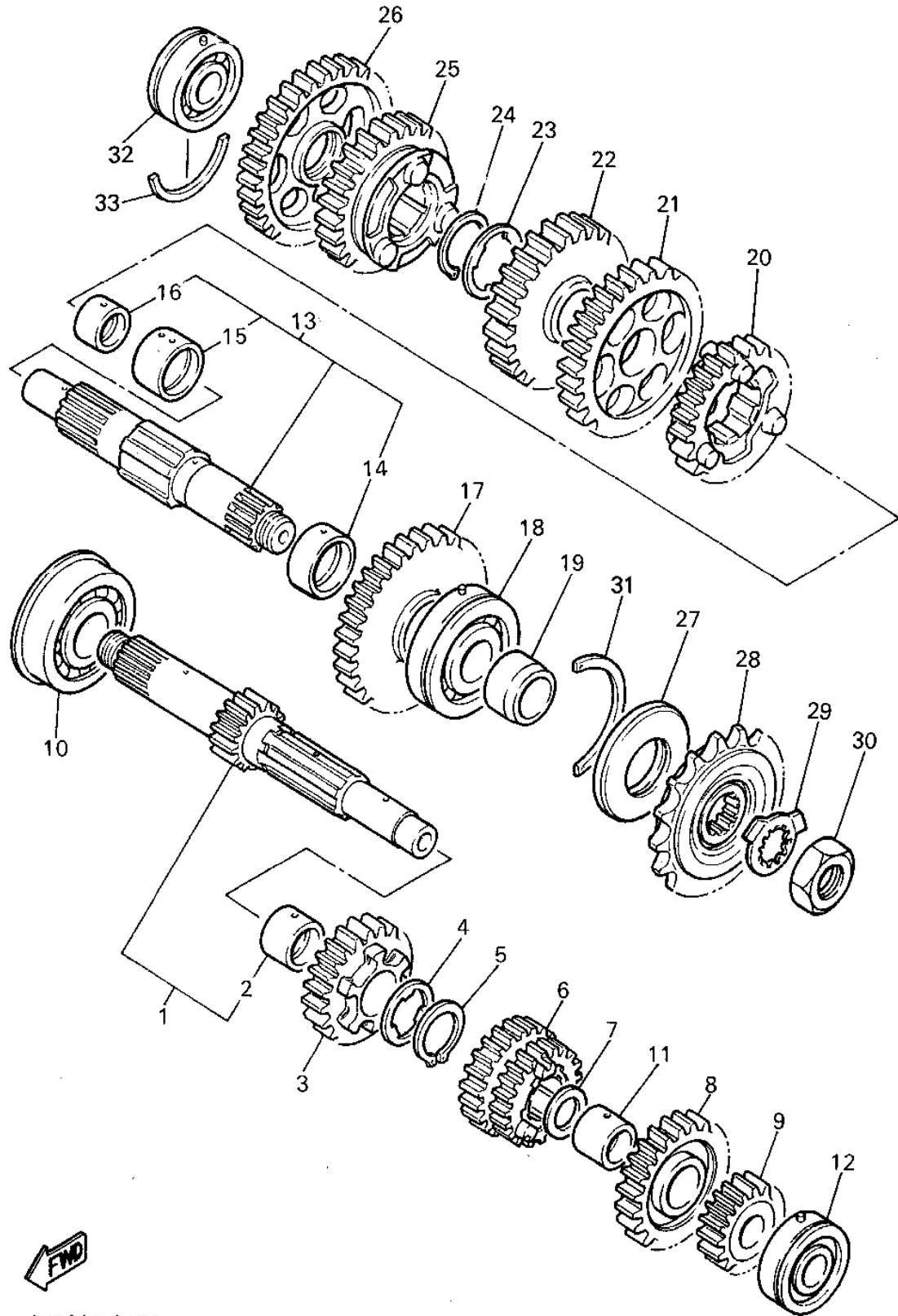
CLUTCH



Ref. No.	Part Number	Description	Qty	Remarks
1	4FM-16150-00-00	PRIMARY DRIVEN GEAR COMP.	1	
2	1AE-16154-00-00	PLATE, THRUST 1	1	
3	2GH-16371-00-00	BOSS, CLUTCH	1	
4	3J2-16324-00-00	PLATE, CLUTCH 1	8	
5	4FN-16321-00-00	PLATE, FRICTION	9	
6	58L-16351-00-00	PLATE, PRESSURE 1	1	
7	90501-225A9-00	SPRING, COMPRESSION	6	
8	90159-06123-00	SCREW, WITH WASHER	6	
9	90560-25270-00	SPACER	1	
10	93310-340N8-00	BEARING, CYLINDRICAL	1	
11	1AE-16164-00-00	PLATE, THRUST 2	1	
12	90215-20231-00	WASHER, LOCK	1	
13	90170-20327-00	NUT	1	
14	1LJ-16356-00-00	ROD, PUSH 1	1	
15	93210-06632-00	O-RING	1	
16	93511-32027-00	BALL	1	
17	1AE-16357-00-00	ROD, PUSH 2	1	
18	93109-08061-00	OIL SEAL	1	
19	1TV-16381-10-00	PUSH LEVER COMP.	1	
20	36Y-W0048-00-00	. BLEED SCREW KIT	1	
21	26H-W0098-00-00	. PUSH LEVER SEAL KIT	1	
22	99510-08012-00	PIN, DOWEL	2	
23	95026-06030-00	BOLT, FLANGE	2	
24	95026-06090-00	BOLT, FLANGE	1	
25	93340-21505-00	BEARING	1	
26	90201-150H2-00	WASHER, PLATE	1	

4HD300-3160

TRANSMISSION



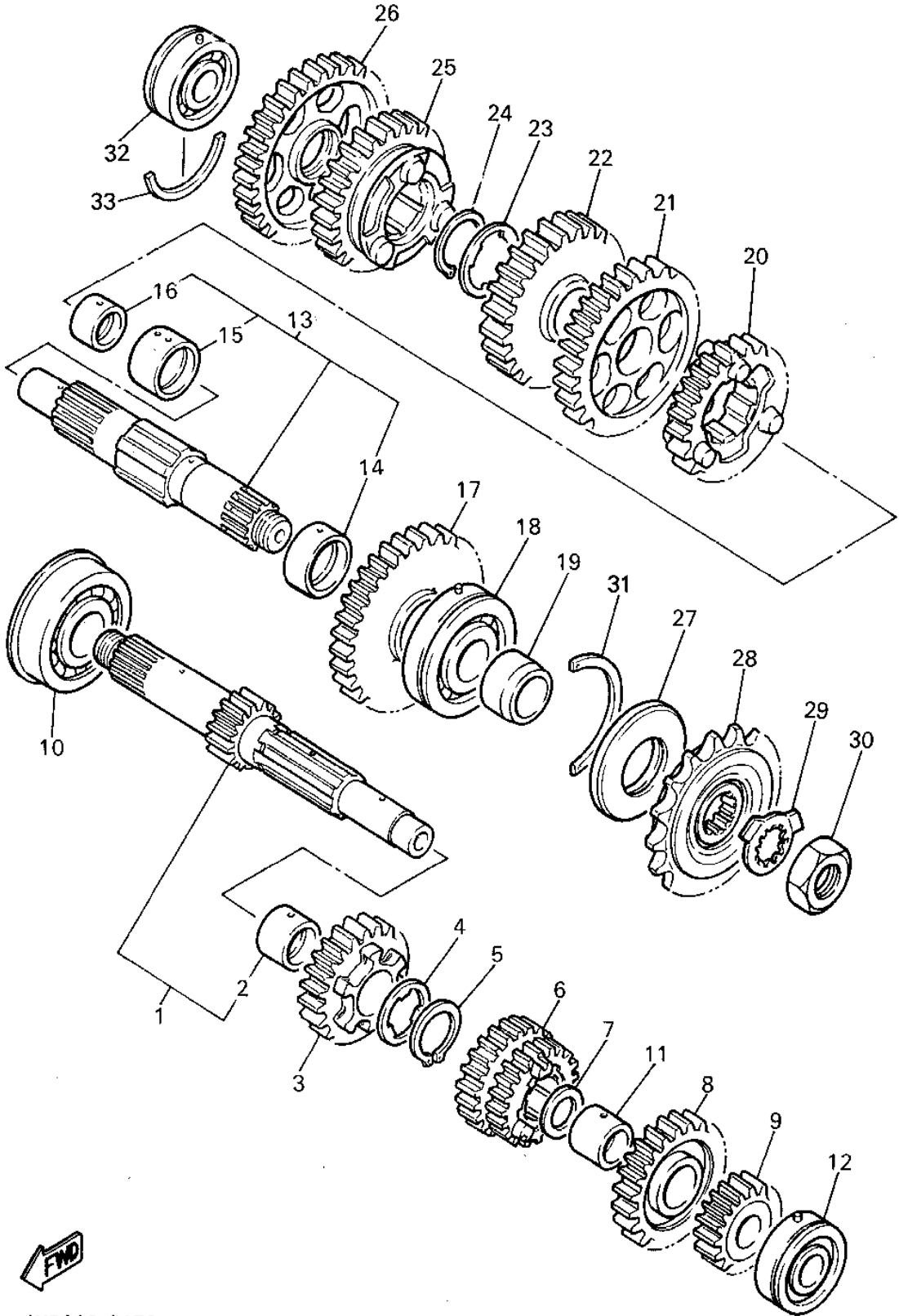
Ref. No.	Part Number	Description	Qty	Remarks
1	4FM-W1741-00-00	MAIN AXLE ASSEMBLY	1	
2	90387-253M6-00	. COLLAR	1	
3	4FM-17151-00-00	GEAR, 5TH PINION	1	
4	90209-22191-00	WASHER	1	
5	93440-25084-00	CIRCLIP	1	
6	4FM-17131-00-00	GEAR, 3RD PINION	1	
7	90201-200K3-00	WASHER, PLATE	1	
8	4FM-17161-00-00	GEAR, 6TH PINION	1	
9	3FV-17121-00-00	GEAR, 2ND PINION (17T)	1	
10	93306-30560-00	BEARING	1	
11	90387-203M7-00	COLLAR	1	
12	93306-20455-00	BEARING	1	
13	3FV-W1742-00-00	DRIVE AXLE ASSEMBLY	1	
14	90387-263M8-00	. COLLAR	1	
15	90387-284M0-00	. COLLAR	1	
16	90387-204M1-00	. COLLAR	1	
17	4FM-17221-00-00	GEAR, 2ND WHEEL	1	
18	93305-30501-00	BEARING	1	
19	90387-255V9-00	COLLAR	1	
20	4FM-17261-00-00	GEAR, 6TH WHEEL	1	
21	4FM-17231-00-00	GEAR, 3RD WHEEL	1	
22	4FM-17241-00-00	GEAR, 4TH WHEEL	1	
23	90209-25196-00	WASHER	1	
24	93440-28062-00	CIRCLIP	1	
25	4FM-17251-00-00	GEAR, 5TH WHEEL	1	
26	4FM-17211-00-00	GEAR, 1ST WHEEL	1	
27	93102-35423-00	OIL SEAL	1	
28	2GH-17460-00-00	SPROCKET, DRIVE 16T (2GH1746160)	1	

CONTINUED ON NEXT FRAME ►



4HD300-3170

TRANSMISSION

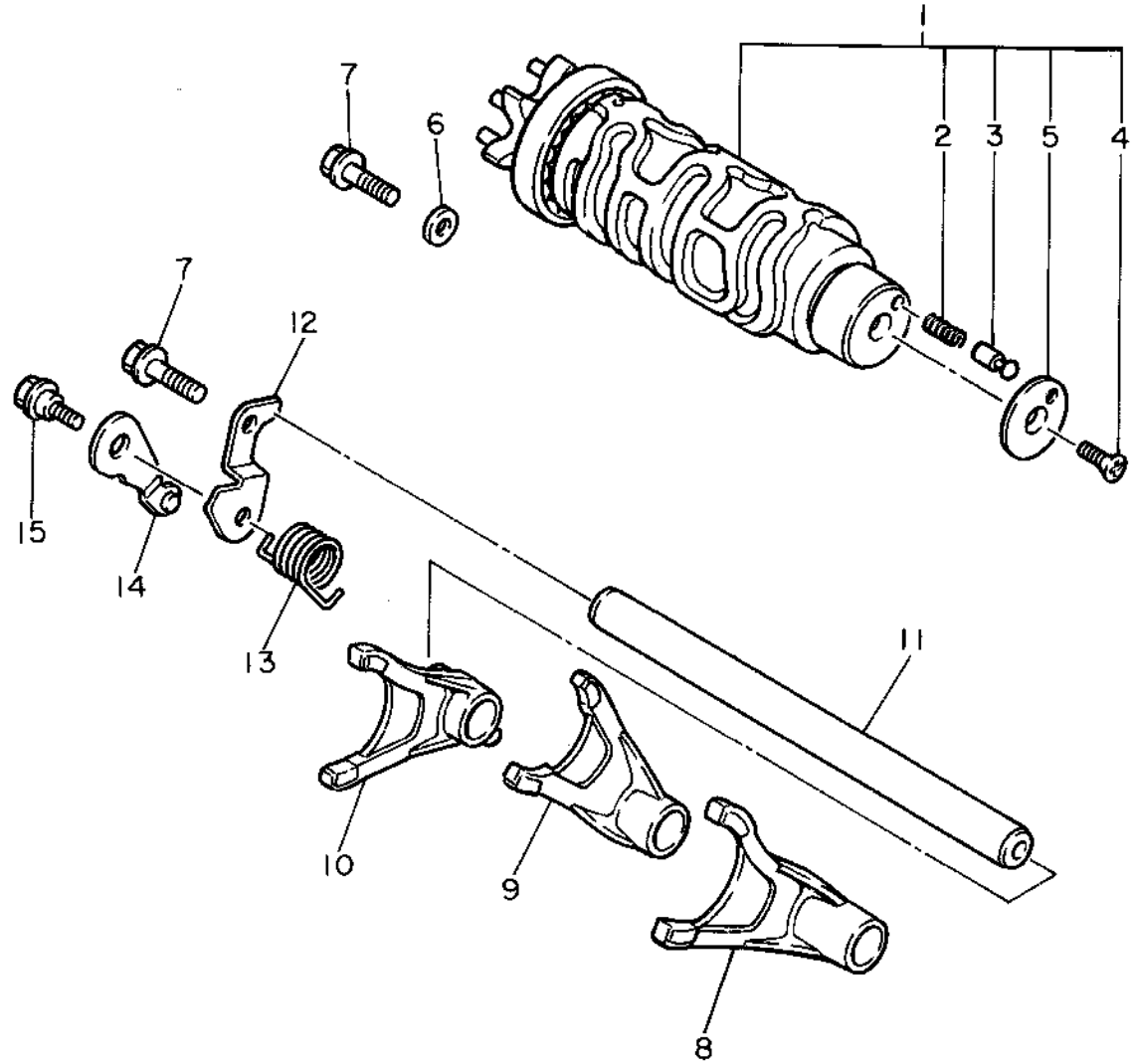


Ref. No.	Part Number	Description	Qty	Remarks
29	90215-21022-00	WASHER, LOCK	1	
30	90179-18020-00	NUT	1	
31	278-17424-01-00	CIRCLIP 1	1	
32	93306-20455-00	BEARING	1	
33	93440-45144-00	CIRCLIP	1	



4HD300-3170

SHIFT CAM - SHIFT FORK



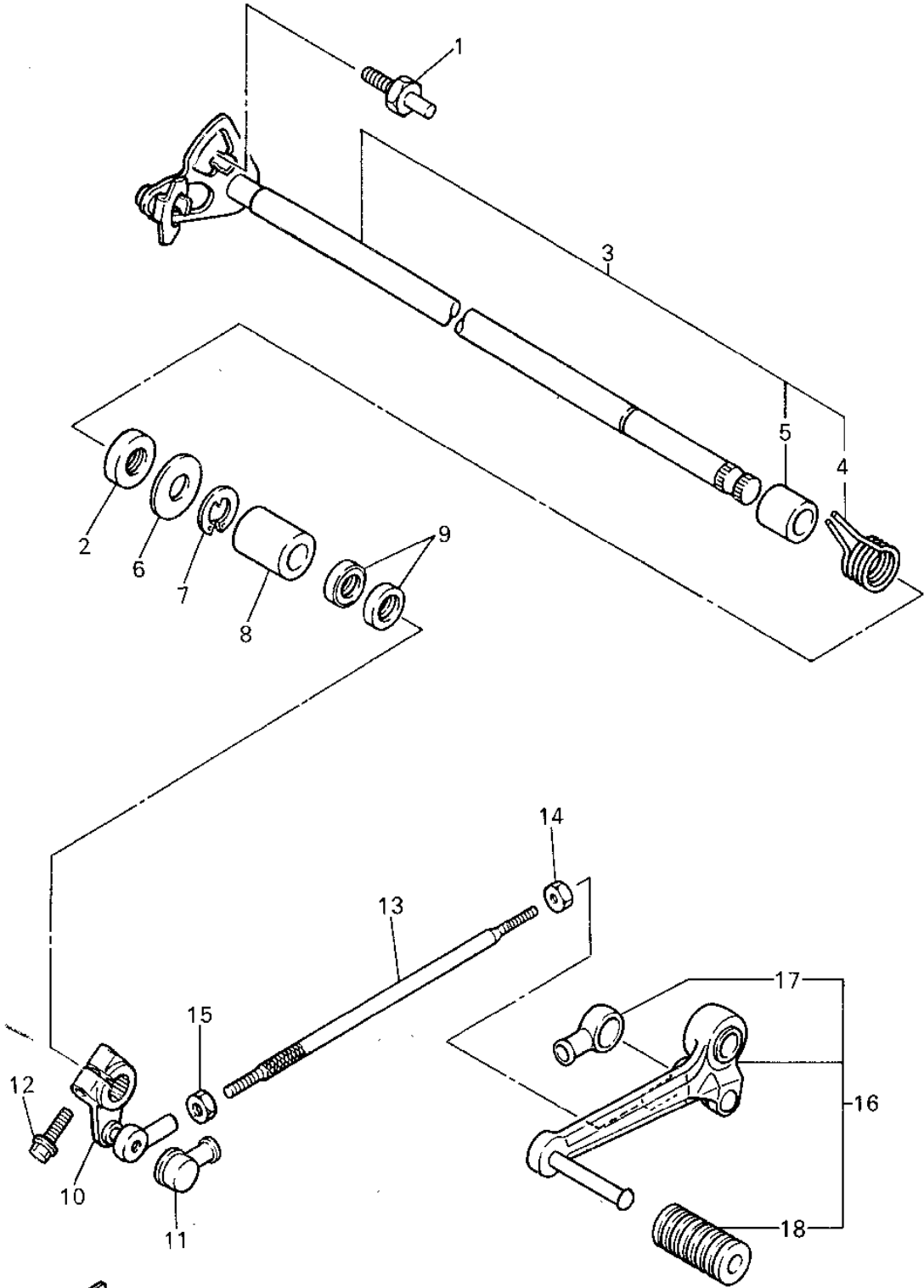
Ref. No.	Part Number	Description	Qty	Remarks
1	4FM-18540-00-00	SHIFT CAM ASSEMBLY	1	
2	90501-06022-00	. SPRING, COMPRESSION	1	
3	278-18542-00-00	. POINT, NEUTRAL	1	
4	98701-05012-00	. SCREW, FLAT HEAD	1	
5	278-18566-00-00	. PLATE, SIDE 2	1	
6	90201-06643-00	WASHER, PLATE	1	
7	95811-06016-00	BOLT, FLANGE (95822-06016)	2	
8	4FM-18511-00-00	FORK, SHIFT 1	1	
9	4FM-18512-00-00	FORK, SHIFT 2	1	
10	4FM-18513-00-00	FORK, SHIFT 3	1	
11	4BH-18531-00-00	BAR, SHIFT FORK GUIDE 1	1	
12	1AE-18536-00-00	STOPPER, SHIFT BAR	1	
13	90508-26681-00	SPRING, TORSION	1	
14	36Y-18140-00-00	STOPPER LEVER ASSEMBLY	1	
15	90109-063F8-00	BOLT	1	



1FN310-5180

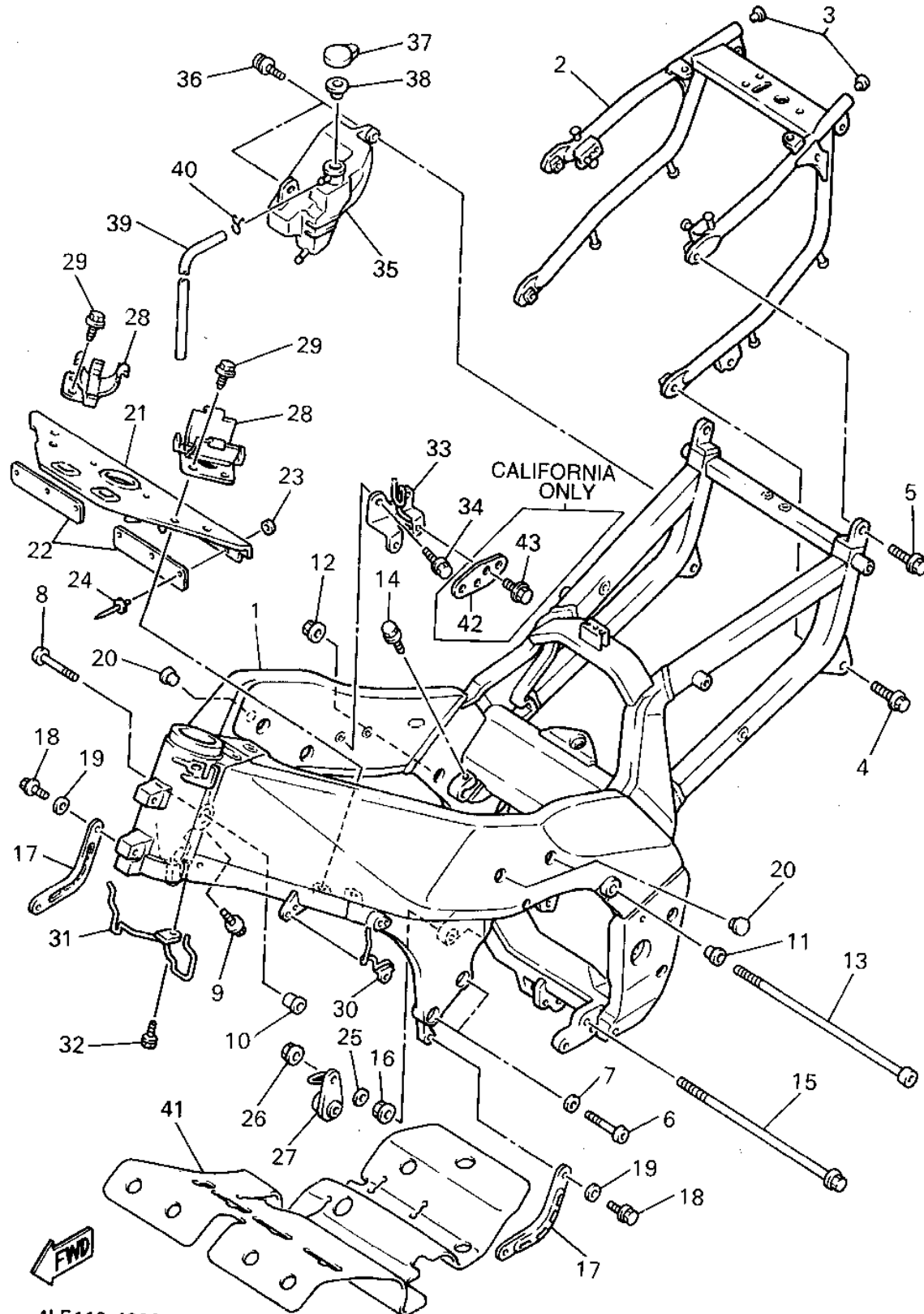
SHIFT SHAFT

Ref. No.	Part Number	Description	Qty	Remarks
1	4G0-18127-00-00	STOPPER, SCREW	1	
2	93102-12321-00	OIL SEAL, SD-TYPE	1	
3	1AE-18101-01-00	SHIFT SHAFT ASSEMBLY	1	
4	90508-32682-00	. SPRING, TORSION	1	
5	90387-114K8-00	. COLLAR	1	
6	90201-12575-00	WASHER, PLATE	1	
7	99006-10600-00	CIRCLIP	1	
8	90560-12191-00	SPACER	1	
9	93109-12053-00	OIL SEAL (SDO 12/18/4-1)	2	
10	2GH-18112-01-00	ARM, SHIFT	1	
11	2H9-18154-00-00	COVER, DUST	1	
12	95826-06020-00	BOLT, flange (95806-06020-00)	1	
13	1WG-18115-00-00	ROD, SHIFT	1	
14	90170-06228-00	NUT (COUNTER CLOCKWISE)	1	
15	95380-06700-00	NUT	1	
16	4FM-18110-00-00	SHIFT PEDAL ASSEMBLY	1	
17	2H9-18154-00-00	. COVER, DUST	1	
18	132-18113-01-00	. COVER, SHIFT PEDAL	1	



4HD300-3190

FRAME

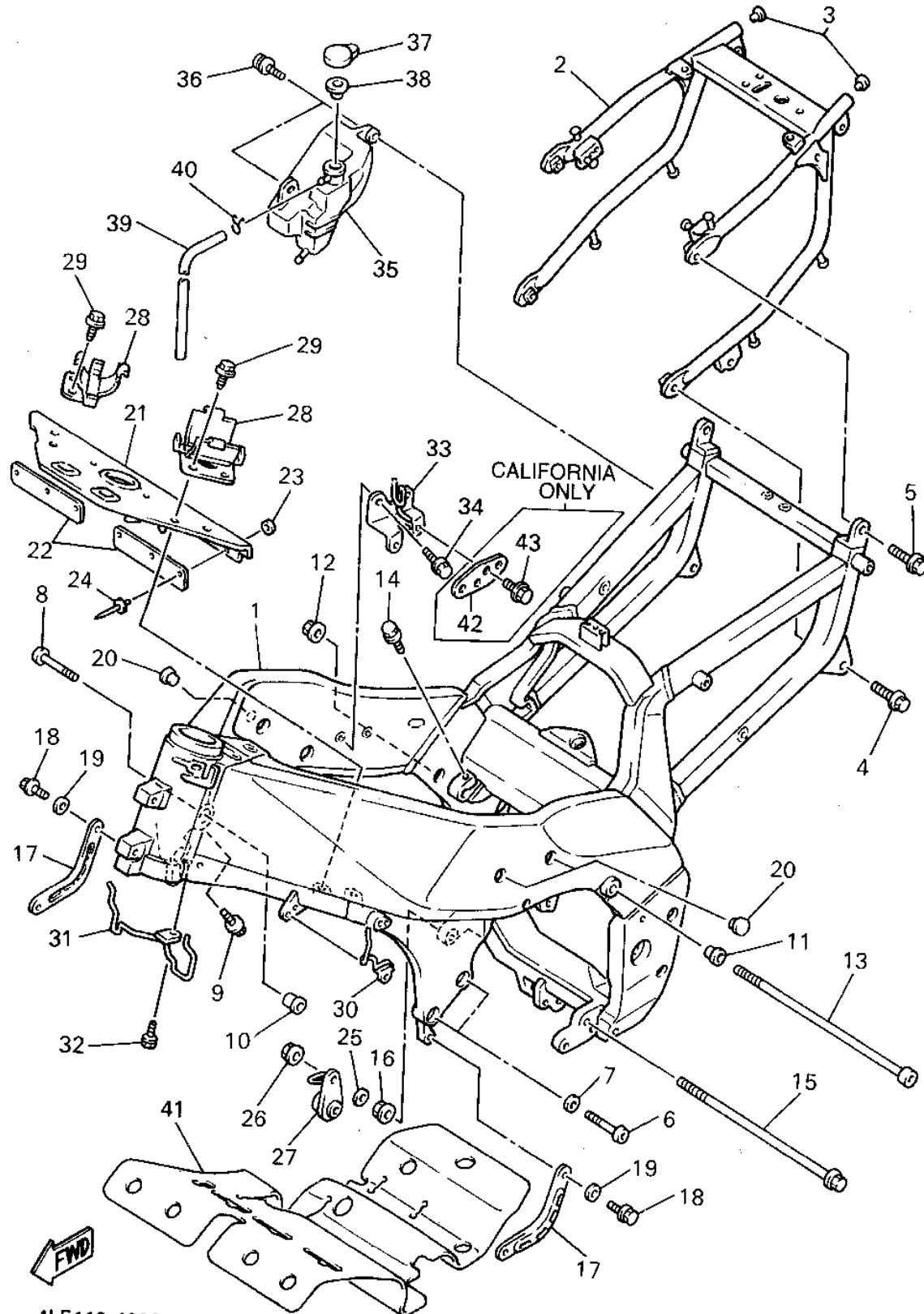


4LE110-4200

Ref. No.	Part Number	Description	Qty	Remarks
1	4FM-21110-00-00	FRAME COMP.	1	
2	4FM-21645-01-00	STAY, REAR	1	
3	90338-16148-00	PLUG	2	
4	95811-08035-00	BOLT, FLANGE (95821-08035) .	2	
5	95811-08016-00	BOLT, FLANGE	2	
6	91311-10040-00	BOLT	2	
7	92900-10600-00	WASHER	2	
8	91311-10045-00	BOLT	2	
9	91311-08030-00	BOLT	2	
10	90387-115V8-00	COLLAR	2	
11	90387-105V7-00	COLLAR	1	
12	90179-10590-00	NUT	1	
13	90110-10169-00	BOLT, HEXAGON SOCKET HEAD	1	
14	95811-08030-00	BOLT, FLANGE	2	
15	90105-10716-00	BOLT, WASHER BASED	1	
16	90179-10247-00	NUT	1	
17	4FM-2142K-00-00	BRACKET, RADIATOR	2	
18	97026-06012-00	BOLT	2	
19	92906-06600-00	WASHER	2	
20	90338-15202-00	PLUG	3	
21	4FM-2117M-01-00	COVER 2	1	
22	4FM-2117N-00-00	COVER 3	2	
23	90201-044A2-00	WASHER, PLATE	6	
24	90267-40076-00	RIVET, BLIND	6	
25	90201-101J1-00	WASHER, PLATE	1	
26	95706-10500-00	NUT, flange	1	
27	4FM-21446-00-00	STAY, MUFFLER 2	1	
28	4FM-21359-00-00	BRACKET, COIL	2	

CONTINUED ON NEXT FRAME ►

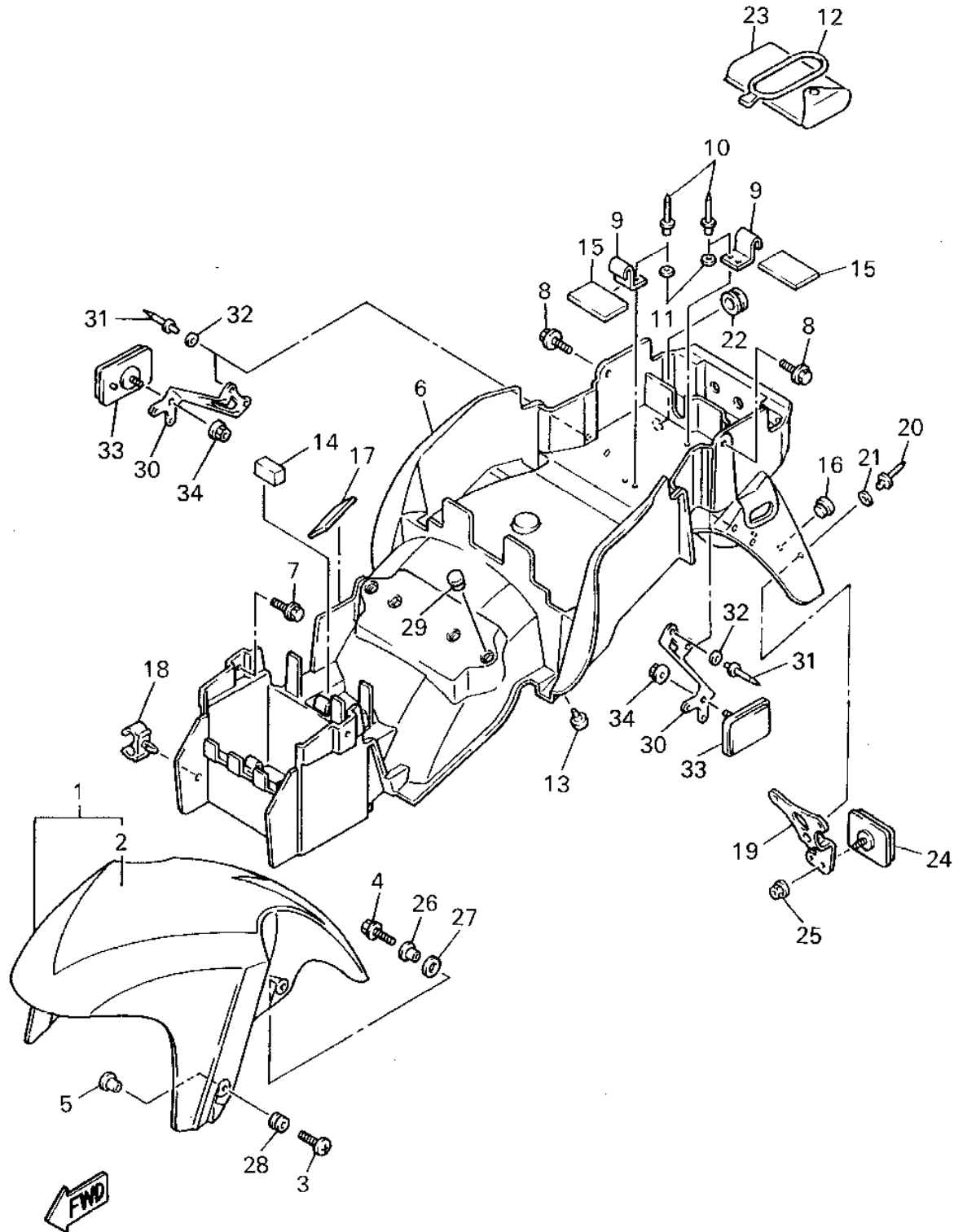
FRAME



4LE110-4200

Ref. No.	Part Number	Description	Qty	Remarks
29	90119-06018-00	BOLT, WITH WASHER	4	
30	4FM-21161-01-00	HOLDER, CABLE	1	
31	4FM-21162-00-00	HOLDER, CLUTCH CABLE	1	
32	90101-06664-00	BOLT	1	
33	4FM-2116J-10-00	BRACKET 7	1	
34	95811-06016-00	BOLT, FLANGE (95822-06016)	2	
35	4FM-21871-00-00	TANK, RECOVERY	1	
36	90159-06033-00	SCREW, WITH WASHER	2	
37	4L0-21875-00-00	CAP	1	
38	1AA-21874-00-00	GASKET	1	
39	90445-084G9-00	HOSE	1	
40	90467-08003-00	CLIP	1	
41	4FM-12683-00-00	PROTECTOR, HEAT	1	
42	4FM-2116K-00-00	BRACKET 8	1	CA ONLY
43	95811-06010-00	BOLT, FLANGE	2	CA ONLY

FENDER

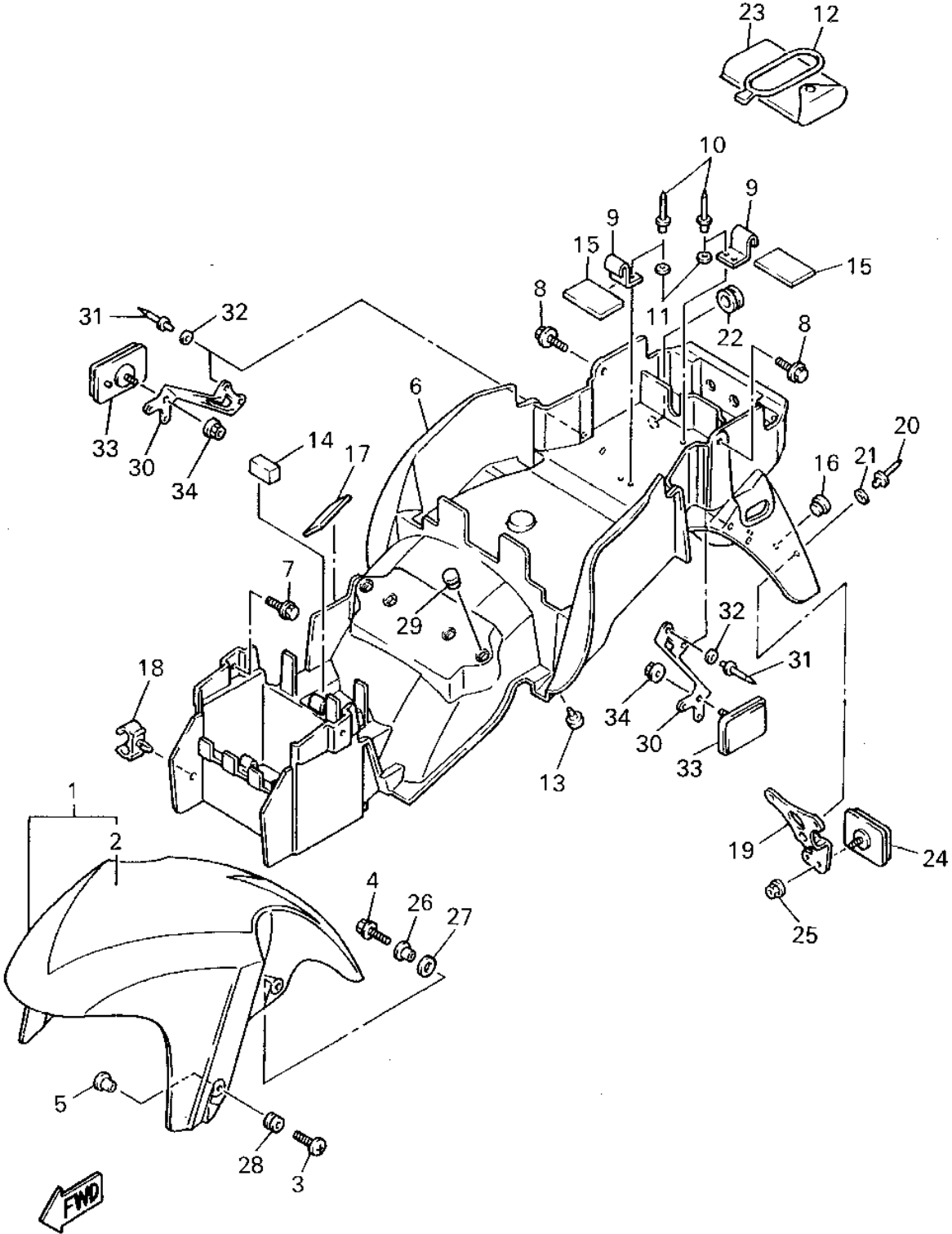


4LE110-4210

Ref. No.	Part Number	Description	Qty	Remarks
1	4FM-Y2151-01-P0	FRONT FENDER COMP.	1	BLUISH WHITE COCKTAIL 1
2	4FM-21569-20-00	. GRAPHIC 1	1	
3	90154-06061-00	SCREW, BINDING	2	
4	95811-06016-00	BOLT, FLANGE (95822-06016) .	2	
5	90387-065J6-00	COLLAR	2	
6	4FM-21611-12-00	FENDER, REAR	1	
7	90119-06118-00	BOLT, WITH WASHER	2	
8	90119-06205-00	BOLT, WITH WASHER	2	
9	3VD-21366-00-00	HOOK, TOOL BAND	2	
10	90267-40054-00	RIVET, BLIND	4	
11	90201-044A2-00	WASHER, PLATE	4	
12	3YX-21376-00-00	BAND, TOOL	1	
13	35T-24724-00-00	DAMPER, SEAT	2	
14	1LJ-2414J-00-00	DAMPER, PLATE 2	1	
15	5H0-8235Y-M0-00	DAMPER, LOCATING 5 (2GH-24185-00-00)	2	
16	4G0-21639-00-00	DAMPER 2	1	
17	3XV-21778-00-00	DAMPER, LOCATING 1	1	
18	90464-09130-00	CLAMP	1	
19	4FM-85132-00-00	BRACKET, REFLECTOR 1	1	
20	90267-40076-00	RIVET, BLIND	2	
21	90201-044A2-00	WASHER, PLATE	2	
22	90480-10258-00	GROMMET	2	
23	4FM-28100-00-00	TOOL KIT	1	
24	3G1-85130-01-00	REAR REFLECTOR ASSEMBLY	1	
25	95701-05500-00	NUT, FLANGE	1	
26	90387-087L0-00	COLLAR	2	
27	4FM-28372-00-00	DAMPER	2	

CONTINUED ON NEXT FRAME ►

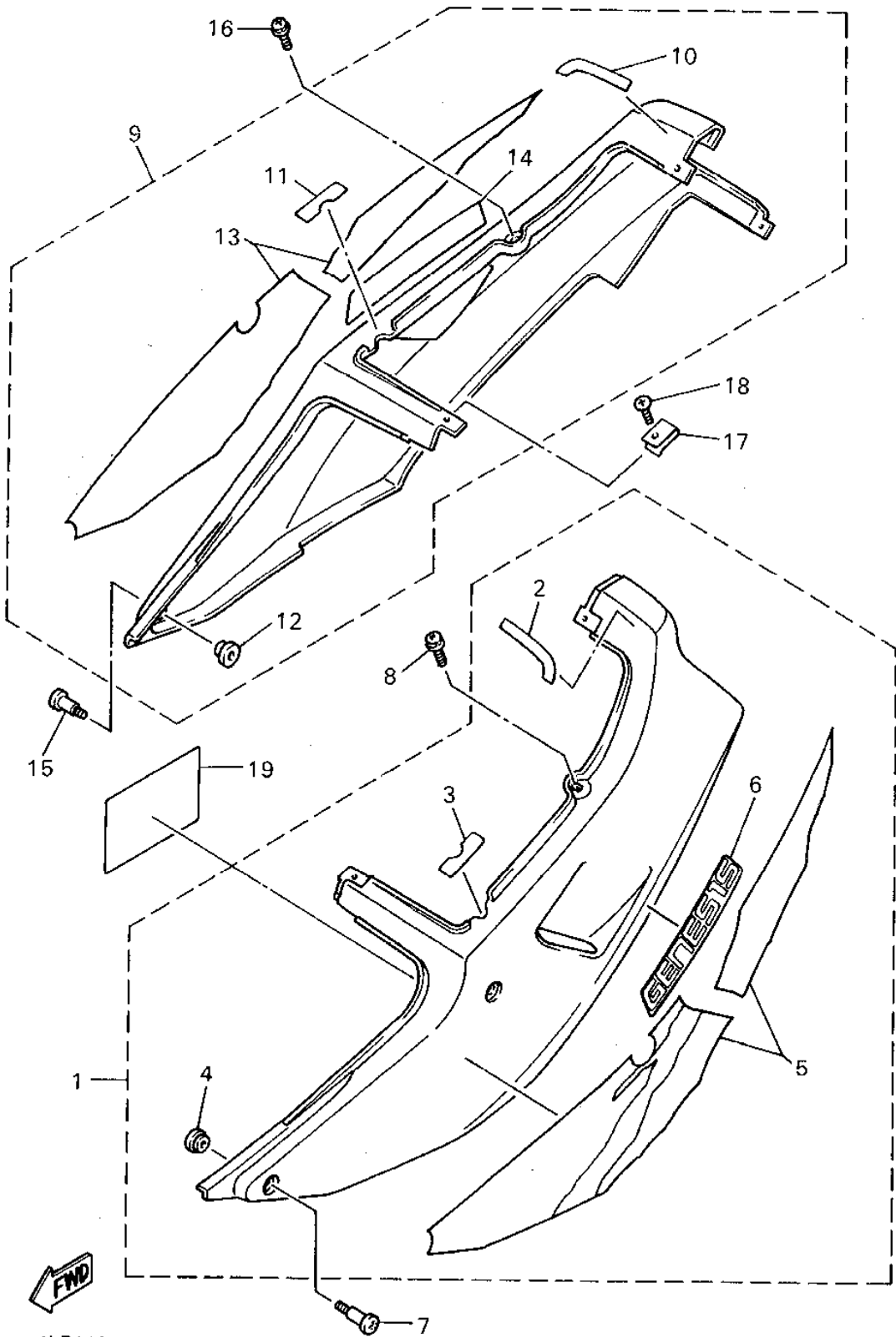
FENDER



Ref. No.	Part Number	Description	Qty	Remarks
28	90480-12072-00	GROMMET	2	
29	90338-10132-00	PLUG	1	
30	4FM-21688-00-00	BRACKET, REAR STAY	2	
31	90267-40076-00	RIVET, BLIND	4	
32	90201-044A2-00	WASHER, PLATE	4	
33	3G1-85130-01-00	REAR REFLECTOR ASSEMBLY	2	
34	95701-05500-00	NUT, FLANGE	2	

4LE110-4210

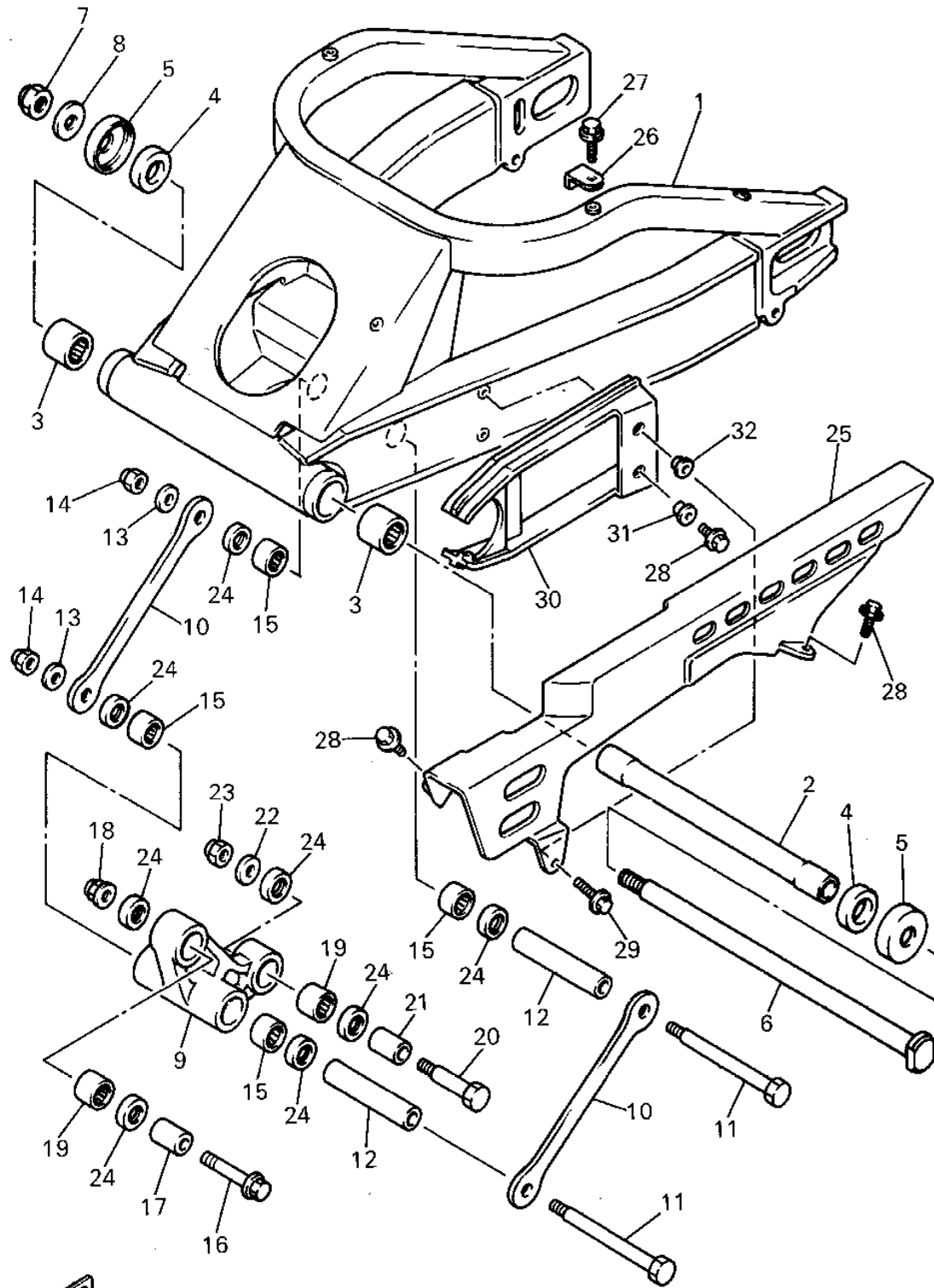
SIDE COVER



4LE110-4220

Ref. No.	Part Number	Description	Qty	Remarks
1	4FM-Y2171-41-P0	COVER, SIDE 1	1	BLUISH WHITE COCKTAIL 1
2	3GM-21575-00-00	. SEAL 1	1	
3	4FM-2173T-00-00	. TAPE 1	1	
4	90480-13398-00	. GROMMET	2	
5	4FM-2173L-20-00	. GRAPHIC SET 1	1	
6	4FM-21781-00-00	. EMBLEM 1	1	
7	90150-06036-00	SCREW, ROUND HEAD	2	
8	90159-06093-00	SCREW, WITH WASHER	1	
9	4FM-Y2172-31-P0	COVER, SIDE 2	1	BLUISH WHITE COCKTAIL 1
10	3GM-21576-00-00	. SEAL 2	1	
11	4FM-2173T-00-00	. TAPE 1	1	
12	90480-13398-00	. GROMMET	2	
13	4FM-2174L-20-00	. GRAPHIC SET 2	1	
14	4FM-21781-00-00	. EMBLEM 1	1	
15	90150-06036-00	SCREW, ROUND HEAD	2	
16	90159-06093-00	SCREW, WITH WASHER	1	
17	90183-04064-00	NUT, SPRING	3	
18	97706-40010-00	SCREW, TAPPING	3	
19	4LE-2179R-00-00	PLATE, EPA 2	1	UR CA ONLY
	4LE-2179V-00-00	PLATE, EPA 1	1	UR NON CA

REAR ARM



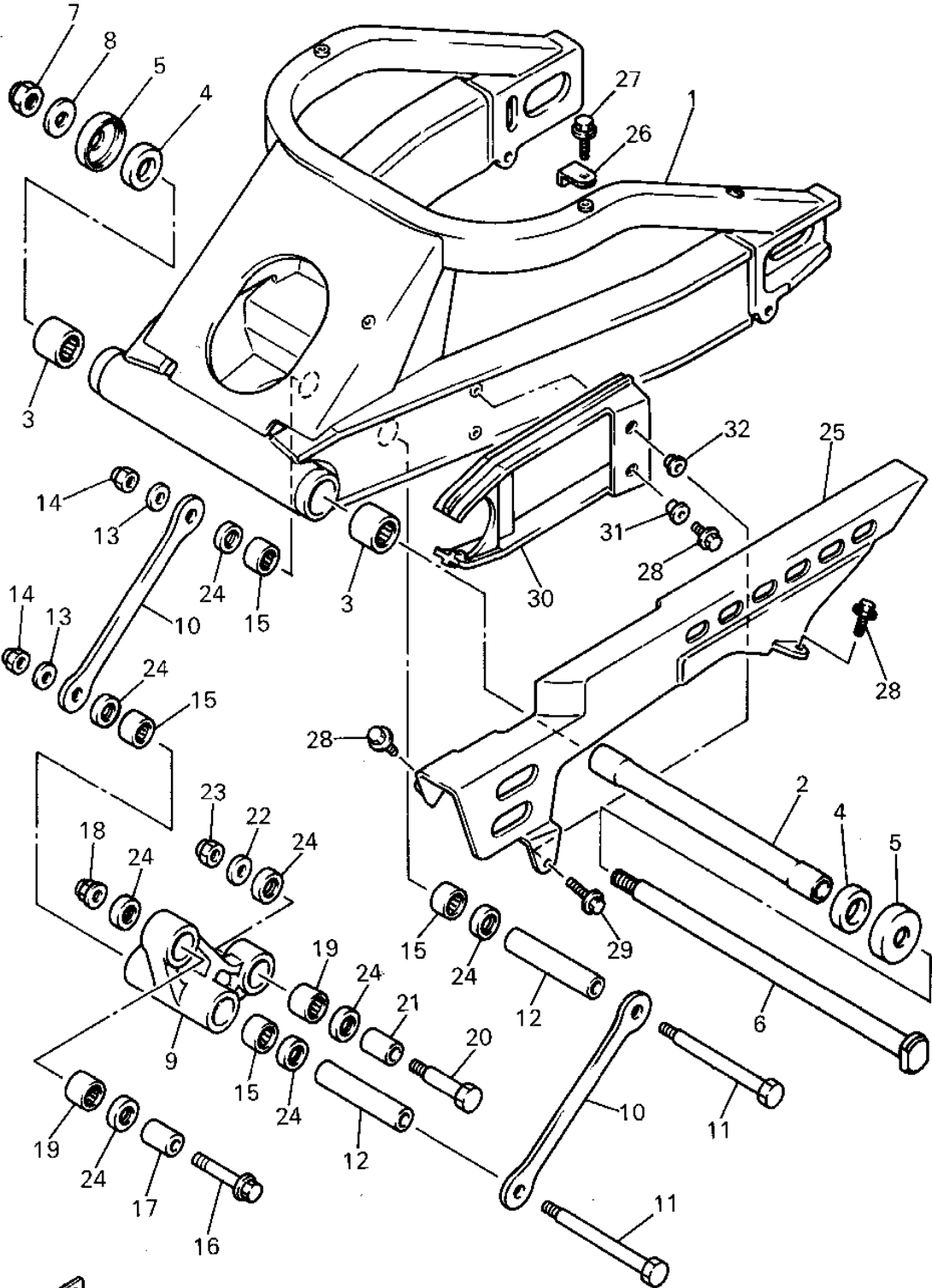
Ref. No.	Part Number	Description	Qty	Remarks
1	4FM-22110-00-00	REAR ARM COMP.	1	
2	3FV-22184-00-00	BUSH	1	
3	93315-42523-00	BEARING	2	
4	93342-22502-00	BEARING, THRUST	2	
5	3FV-22128-00-00	COVER, THRUST 1	2	
6	3GM-22141-00-00	SHAFT, PIVOT	1	
7	90185-18104-00	NUT, SELF-LOCKING	1	
8	90201-18264-00	WASHER, PLATE	1	
9	4FM-2217A-00-00	ARM, RELAY	1	
10	4BH-2217M-00-00	ARM 1	2	
11	90101-10658-00	BOLT	2	
12	90387-122R5-00	COLLAR	2	
13	90201-101J1-00	WASHER, PLATE	2	
14	95611-10100-00	NUT, U	2	
15	93317-21746-00	BEARING	4	
16	90105-10376-00	BOLT, WASHER BASED	1	
17	90387-102R4-00	COLLAR	1	
18	95611-10200-00	NUT, SELF-LOCKING	1	
19	93317-31771-00	BEARING	2	
20	90101-10659-00	BOLT	1	
21	90387-127W0-00	COLLAR	1	
22	90201-101J1-00	WASHER, PLATE	1	
23	95611-10100-00	NUT, U	1	
24	93109-17048-00	OIL SEAL (SDO 17-24-4)	8	
25	4FM-22311-00-00	CASE, CHAIN	1	
26	4FM-2213J-00-00	STAY, CHAIN CASE	1	
27	90105-06707-00	BOLT (95023-06016-00)	1	
28	90119-06088-00	BOLT, WITH WASHER	3	
29	90119-06163-00	BOLT, WITH WASHER	1	

CONTINUED ON NEXT FRAME ►



4HD300-3230

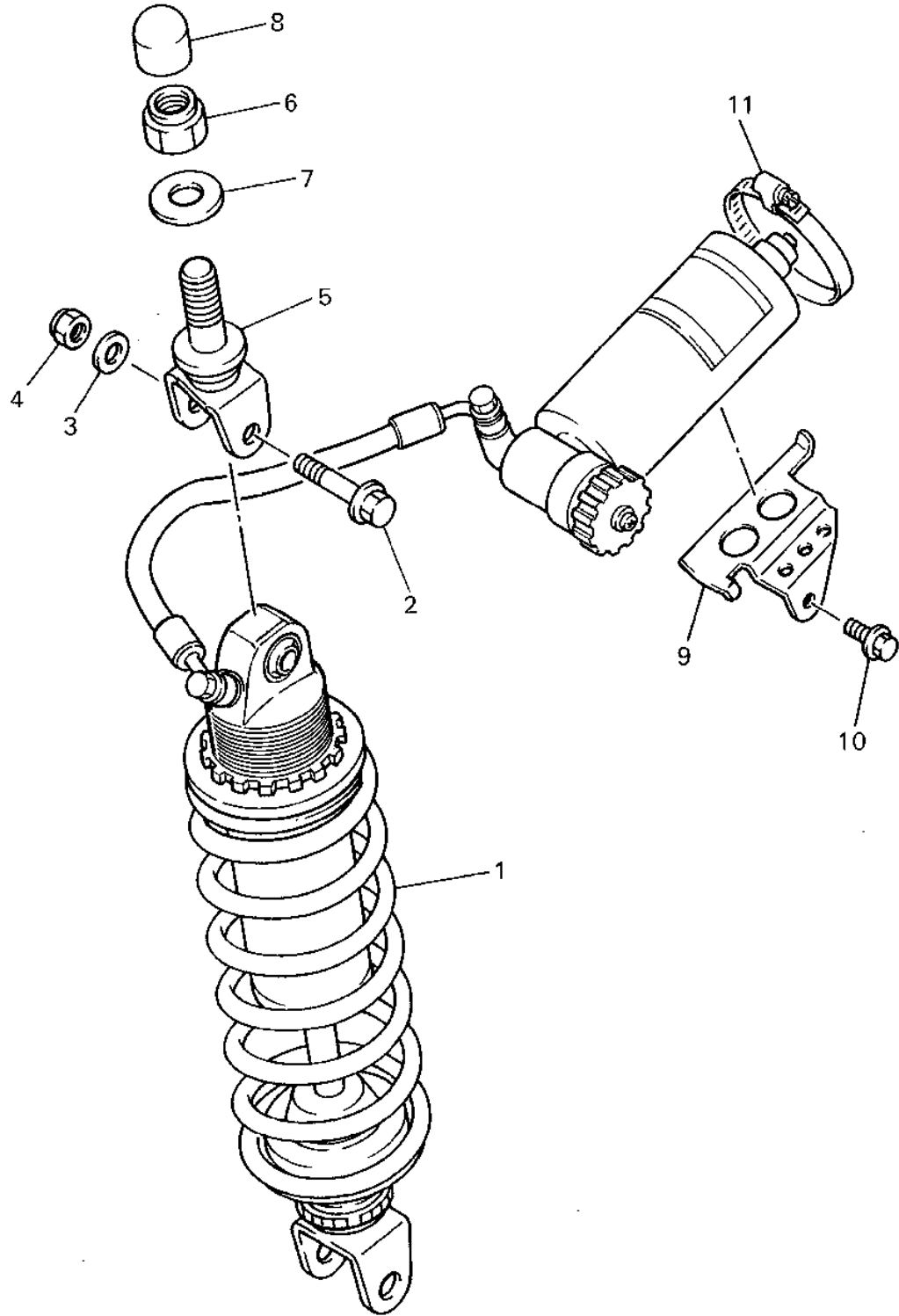
REAR ARM



Ref. No.	Part Number	Description	Qty	Remarks
30	4FM-22151-01-00	SEAL, GUARD	1	
31	90387-06704-00	COLLAR	1	
32	90387-06681-00	COLLAR	1	

 4HD300-3230

REAR SUSPENSION



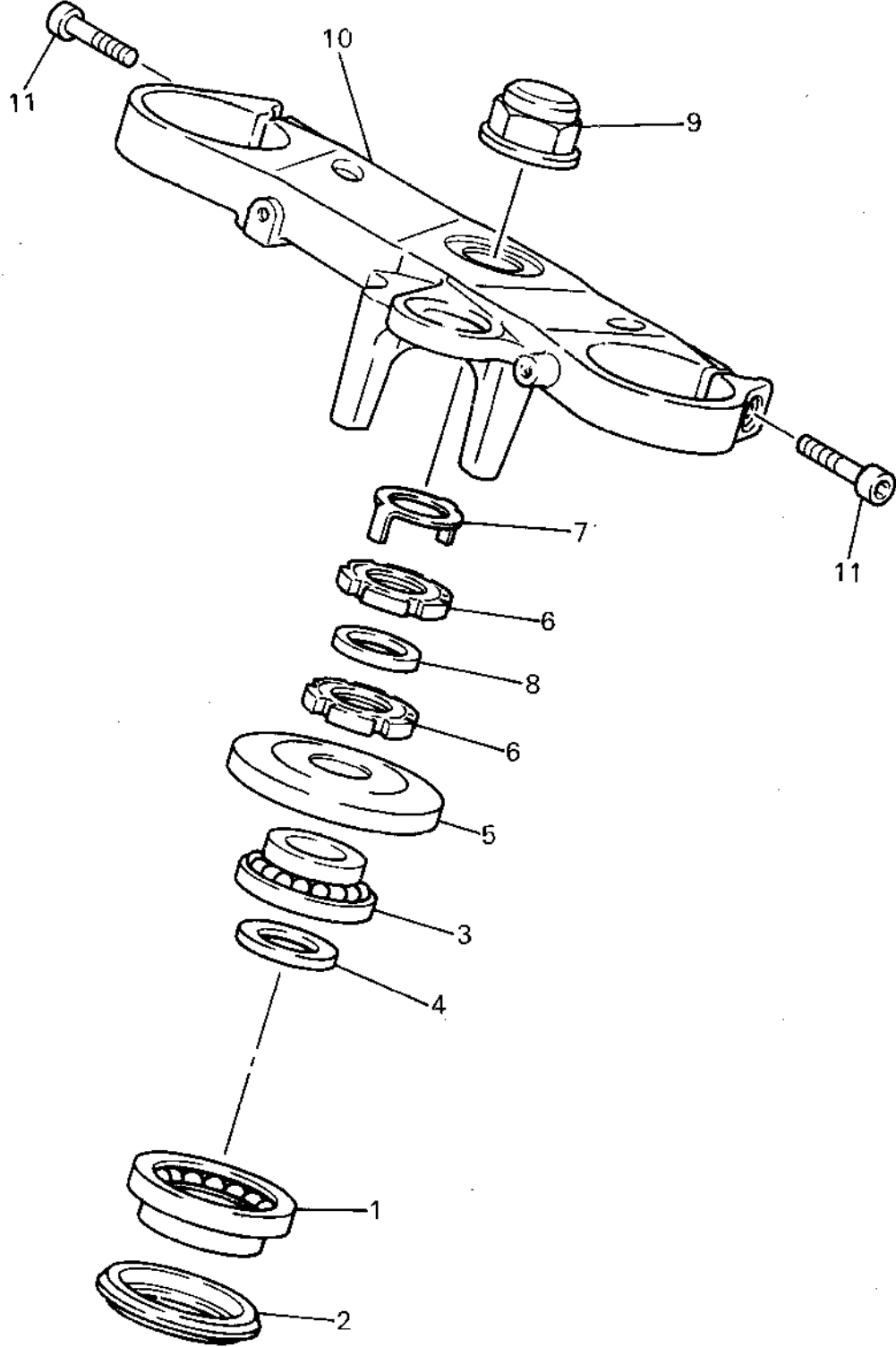
Ref. No.	Part Number	Description	Qty	Remarks
1	4LE-22210-00-00	SHOCK ABSORBER ASSEMBLY, REAR	1	
2	90105-10402-00	BOLT, WASHER BASED	1	
3	90201-101J1-00	WASHER, PLATE	1	
4	95611-10100-00	NUT, U	1	
5	4FM-22219-00-00	BRACKET, UPPER	1	
6	90185-16127-00	NUT, SELF-LOCKING	1	
7	90201-164H4-00	WASHER, PLATE	1	
8	478-25335-00-00	CAP	1	
9	4FM-22262-00-00	HOLDER, SUB TANK	1	
10	95811-06016-00	BOLT, FLANGE (95822-06016)	1	
11	90450-32008-00	HOSE CLAMP ASSEMBLY	1	



4LE110-4240

YZF750RF_RFC

STEERING

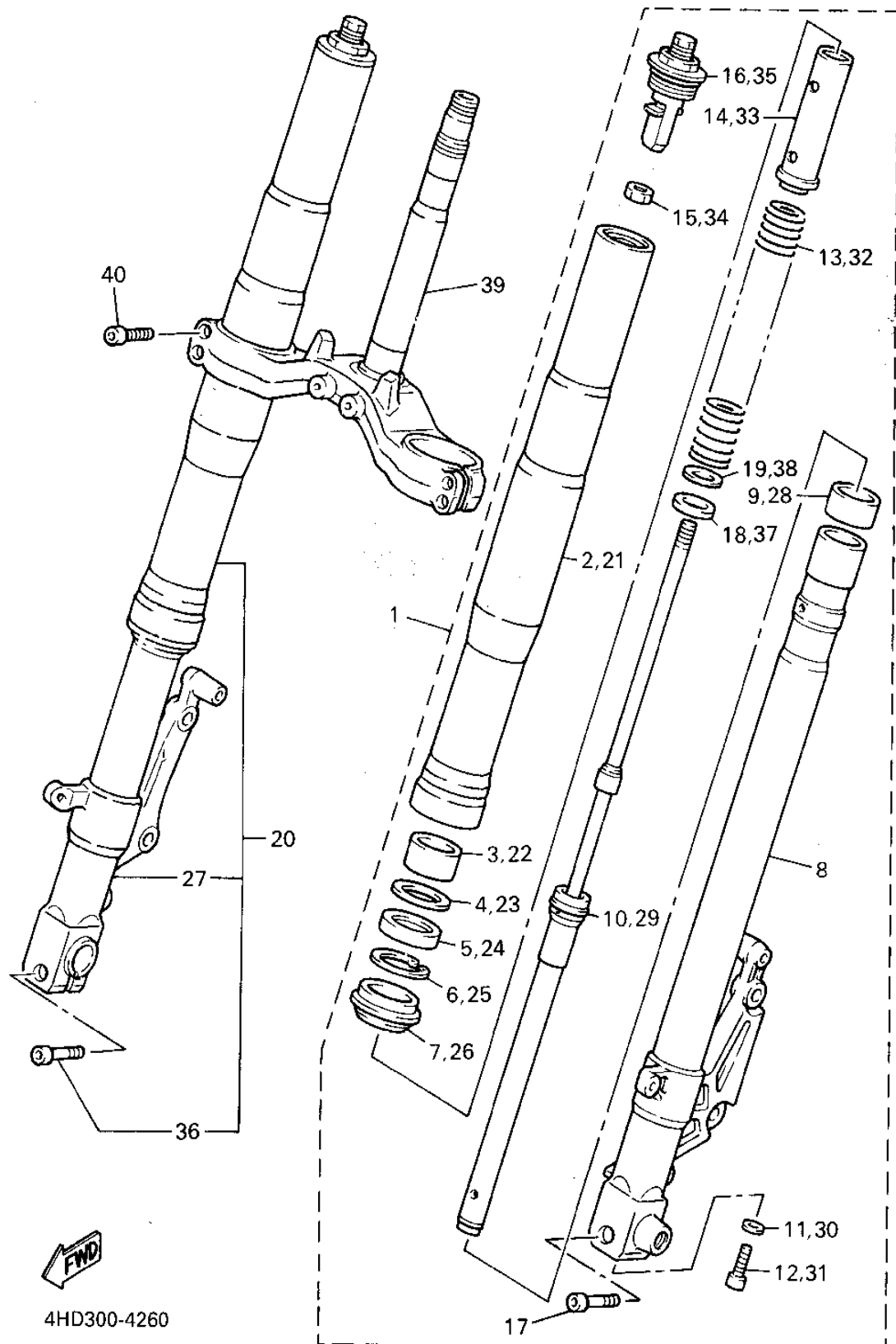


Ref. No.	Part Number	Description	Qty	Remarks
1	93399-99932-00	BEARING	1	
2	3FV-23462-00-00	SEAL, STEERING	1	
3	93399-99931-00	BEARING	1	
4	90202-24190-00	WASHER, PLATE	1	
5	3GM-23415-00-00	COVER, BALL RACE 1	1	
6	90179-25615-00	NUT	2	
7	3YF-23418-00-00	WASHER, SPECIAL	1	
8	90202-26142-00	WASHER, PLATE	1	
9	90176-22050-00	NUT, CROWN	1	
10	4FM-23435-00-00	CROWN, HANDLE	1	
11	91311-08030-00	BOLT	2	



4HD300-3250

FRONT FORK



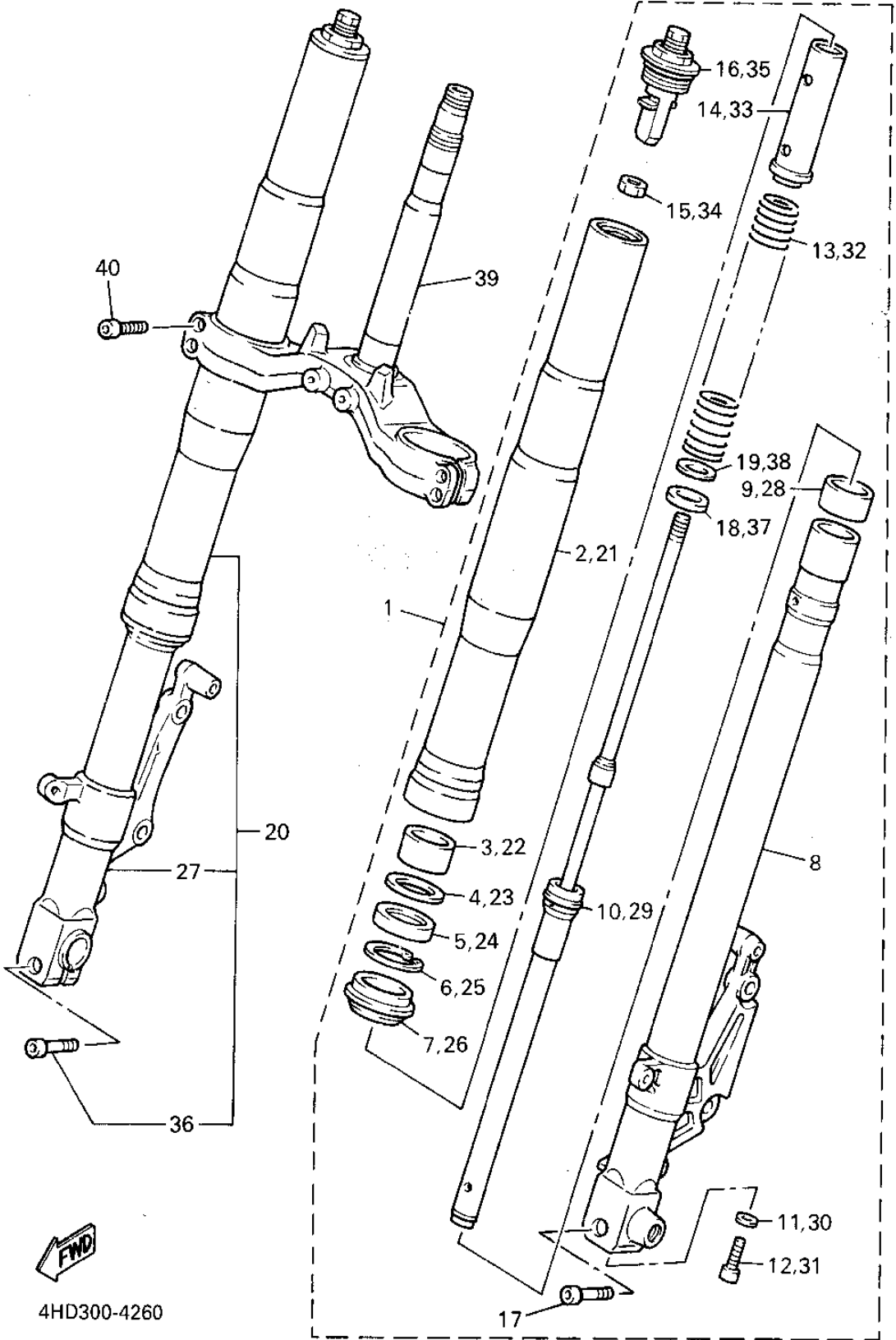
Ref. No.	Part Number	Description	Qty	Remarks
1	4FM-23102-20-00	FRONT FORK ASSEMBLY (L.H)	1	
2	4FM-23136-20-00	. TUBE, OUTER (RIGHT)	1	
3	3GM-23125-50-00	. METAL, SLIDE 1	1	
4	36Y-23146-10-00	. WASHER, OIL SEAL	1	
5	3SP-23145-L0-00	. OIL SEAL	1	
6	26H-23156-00-00	. CLIP, OIL SEAL	1	
7	3XV-23144-50-00	. SEAL, DUST	1	
8	4FM-23110-20-00	. INNER TUBE COMP 1	1	
9	3JD-23171-L0-00	. METAL, SLIDE	1	
10	4FM-23170-20-00	. CYLINDER COMP., FRONT FORK	1	
11	2K8-23158-L0-00	. GASKET	1	
12	3LC-23181-00-00	. BOLT, HEXAGON SOCKET HEAD	1	
13	4FM-23141-00-00	. SPRING, FRONT FORK	1	
14	4FM-23118-00-00	. SPACER	1	
15	3XJ-23357-L0-00	. NUT	1	
16	4FM-23111-10-00	. BOLT, CAP	1	
17	91311-08040-00	. BOLT, SOCKET HEAD	1	
18	4FM-23159-00-00	. WASHER, SPRING, LOWER	1	
19	4FM-23165-00-00	. WASHER, FELT	1	
20	4FM-23103-20-00	FRONT FORK ASSEMBLY (R.H)	1	
21	4FM-23136-20-00	. TUBE, OUTER (RIGHT)	1	
22	3GM-23125-50-00	. METAL, SLIDE 1	1	
23	36Y-23146-10-00	. WASHER, OIL SEAL	1	
24	3SP-23145-L0-00	. OIL SEAL	1	
25	26H-23156-00-00	. CLIP, OIL SEAL	1	
26	3XV-23144-50-00	. SEAL, DUST	1	
27	4FM-23120-20-00	. INNER TUBE COMP. 2	1	

CONTINUED ON NEXT FRAME ►



4HD300-4260

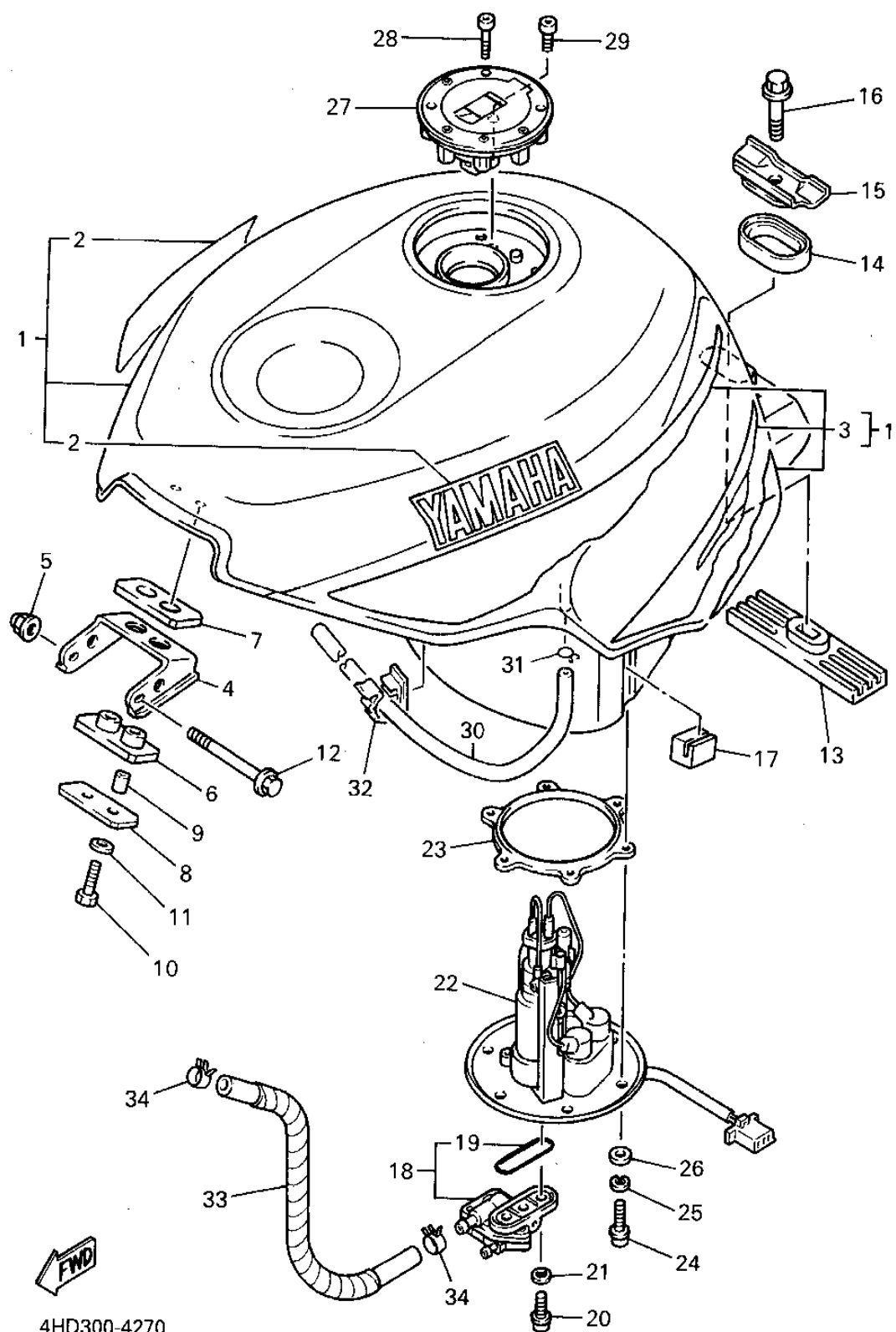
FRONT FORK



Ref. No.	Part Number	Description	Qty	Remarks
28	3JD-23171-L0-00	. METAL, SLIDE	1	
29	4FM-23170-20-00	. CYLINDER COMP., FRONT FORK	1	
30	2K8-23158-L0-00	. GASKET	1	
31	3LC-23181-00-00	. BOLT, HEXAGON SOCKET HEAD	1	
32	4FM-23141-00-00	. SPRING, FRONT FORK	1	
33	4FM-23118-00-00	. SPACER	1	
34	3XJ-23357-L0-00	. NUT	1	
35	4FM-23111-10-00	. BOLT, CAP	1	
36	91311-08040-00	. BOLT, SOCKET HEAD	1	
37	4FM-23159-00-00	. WASHER, SPRING, LOWER .	1	
38	4FM-23165-00-00	. WASHER, FELT	1	
39	4FM-23340-00-00	UNDER BRACKET COMP.	1	
40	91311-08030-00	BOLT	4	

4HD300-4260

FUEL TANK

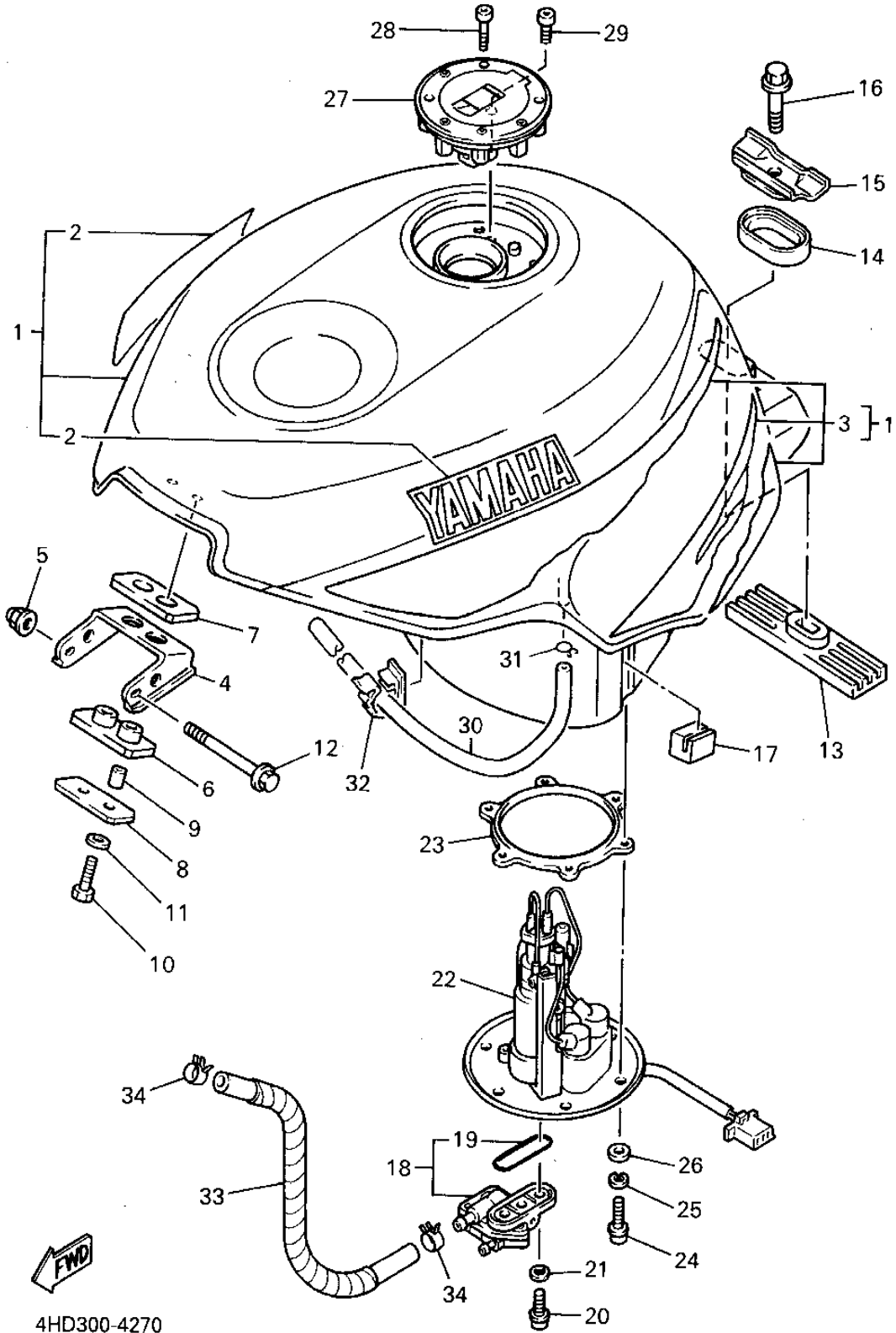


4HD300-4270

Ref. No.	Part Number	Description	Qty	Remarks
1	4FM-24110-30-01	FUEL TANK COMP.	1	BLUISH WHITE COCKTAIL 1/ DEEP VIOLET METALLIC 1
2	99226-00160-00	. EMBLEM, YAMAHA	2	
3	4FM-24240-01-00	. GRAPHIC SET	1	
4	4FM-24191-00-00	BRACKET, FUEL TANK 1	1	
5	90176-06055-00	NUT, CROWN	1	
6	2GH-24181-00-00	DAMPER, LOCATING 1	1	
7	2GH-24183-00-00	DAMPER, LOCATING 3	1	
8	2GH-24186-00-00	WASHER, SPECIAL	1	
9	90387-06553-00	COLLAR	2	
10	97011-06025-00	BOLT (97001-06025)	2	
11	92995-06100-00	WASHER, SPRING	2	
12	95816-06075-00	BOLT, FLANGE	1	
13	2GH-24184-00-00	DAMPER, LOCATING 4	1	
14	3Y6-24183-00-00	DAMPER, LOCATING 3	1	
15	4FM-24187-00-00	WASHER, SPECIAL	1	
16	95811-08016-00	BOLT, FLANGE	1	
17	4JH-24183-00-00	DAMPER, LOCATING 3	2	
18	3FV-24500-01-00	FUEL COCK ASSEMBLY 1 ...	1	
19	4X8-24512-00-00	. O-RING	1	
20	90149-06008-00	SCREW	2	
21	90202-05187-00	WASHER, PLATE	2	
22	4FM-13910-00-00	FUEL PUMP ASSEMBLY	1	
23	4FM-2414G-00-00	SEAL	1	
24	98580-05016-00	SCREW, PAN HEAD	6	
25	92990-05100-00	WASHER, SPRING	6	
26	92901-05600-00	WASHER, PLATE	6	
27	4FM-24602-00-00	CAP ASSEMBLY	1	

CONTINUED ON NEXT FRAME ►

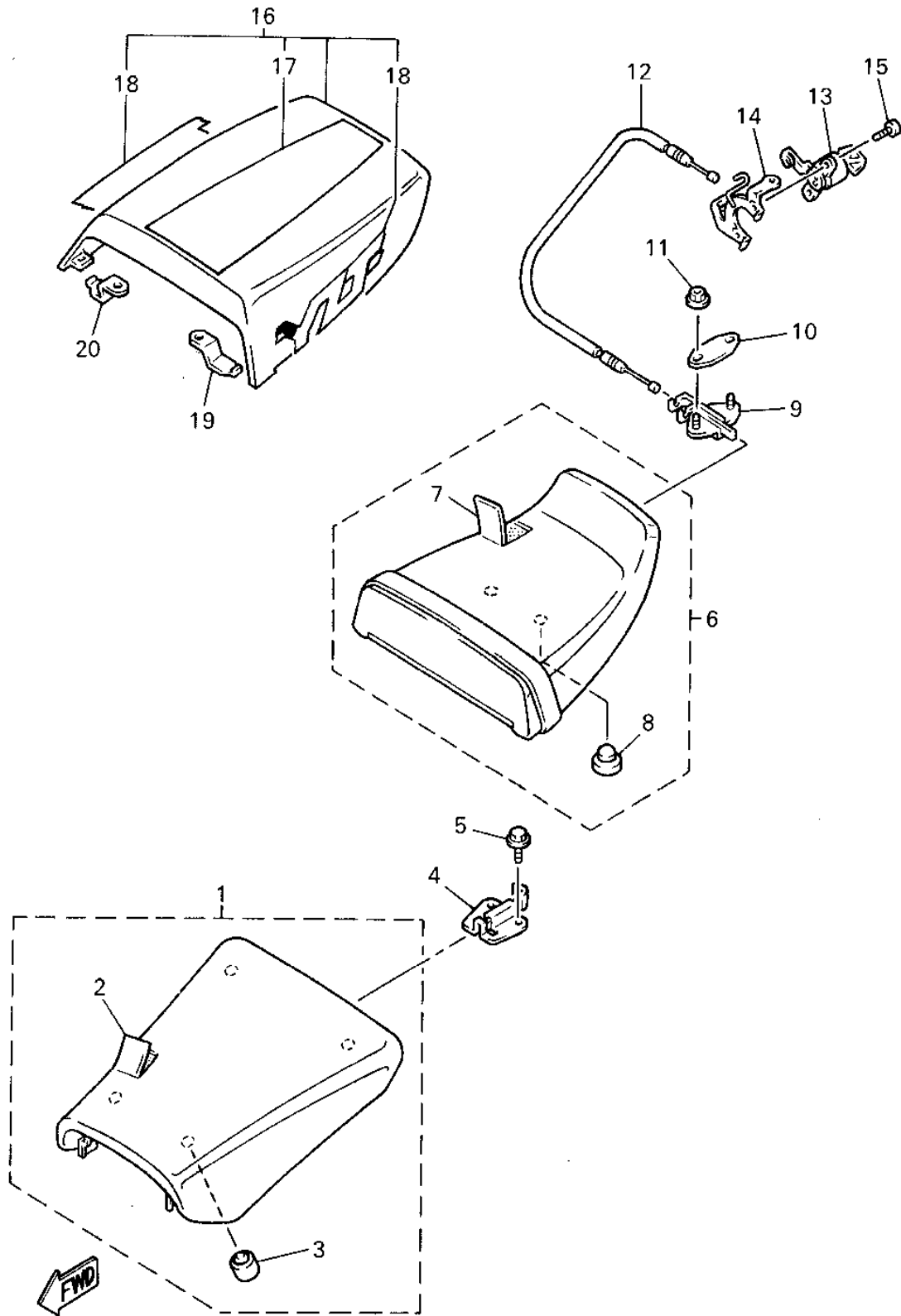
FUEL TANK



Ref. No.	Part Number	Description	Qty	Remarks
28	90110-05112-00	BOLT, HEXAGON SOCKET HEAD	3	
29	91311-05010-00	BOLT, SOCKET HEAD	1	
30	90445-102G7-00	HOSE	1	
31	90467-09006-00	CLIP	1	
32	90464-25160-00	CLAMP	1	
33	3FV-14294-02-00	HOSE	1	
34	90467-13123-00	CLIP	2	

4HD300-4270

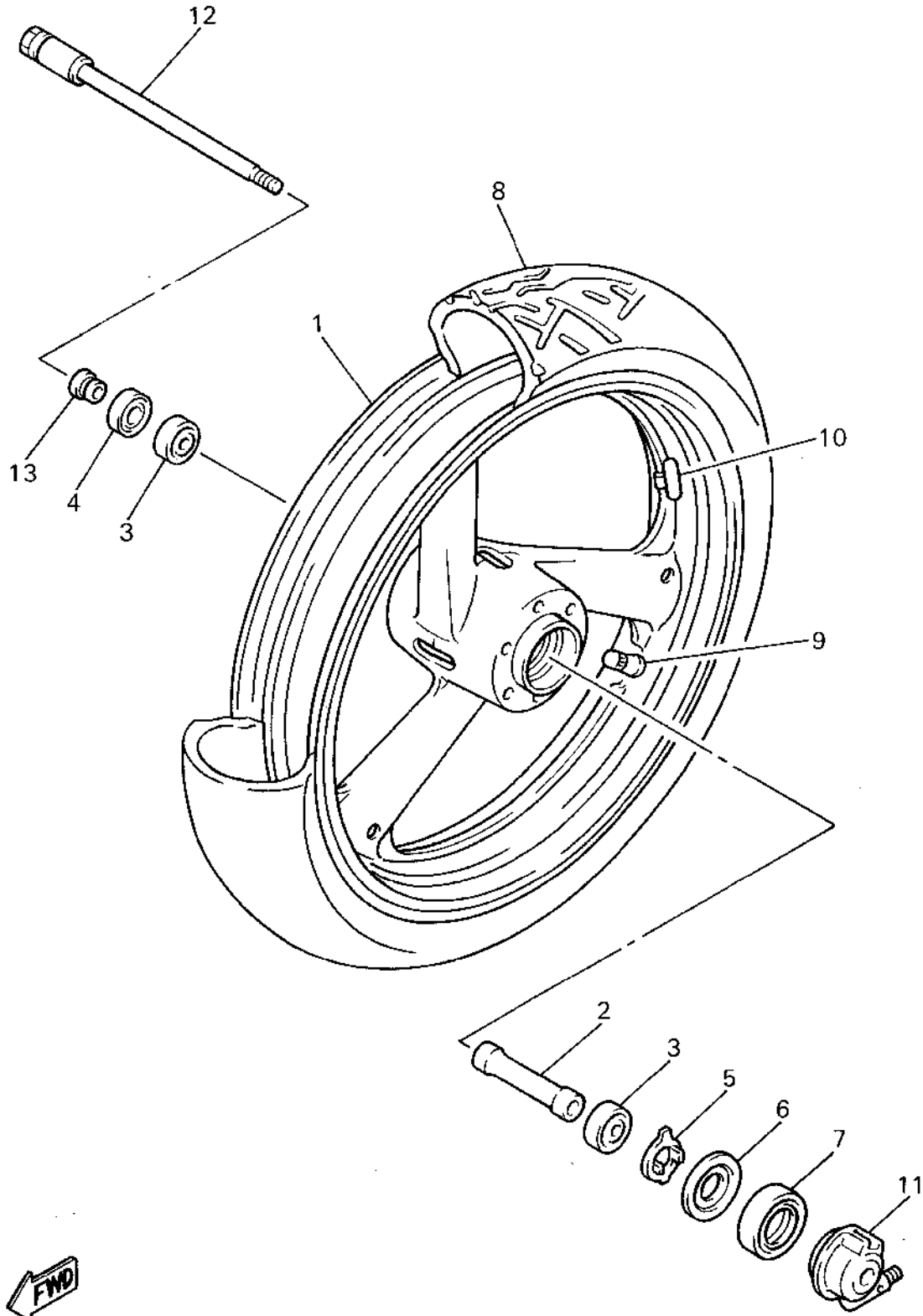
SEAT



4HD300-4280

Ref. No.	Part Number	Description	Qty	Remarks
1	4FM-24710-01-00	SINGLE SEAT ASSEMBLY	1	
2	4FM-24711-00-00	. COVER, SINGLE SEAT	1	
3	4FM-24724-00-00	. DAMPER, SEAT	4	
4	4FM-24780-00-00	SEAT LOCK ASSEMBLY	1	
5	91002-06016-00	BOLT, FLANGE	2	
6	4FM-24750-00-00	TANDEM SEAT ASSEMBLY	1	
7	4FM-24751-00-00	. COVER, TANDEM SEAT	1	
8	509-24724-00-00	. DAMPER, SEAT	2	
9	4BP-24780-00-00	SEAT LOCK ASSEMBLY	1	
10	4BP-24792-00-00	PLATE	1	
11	95701-06500-00	NUT, FLANGE	2	
12	4FM-2478E-00-00	CABLE, SEAT LOCK	1	
13	3CK-W2470-00-00	SEAT LOCK ASSEMBLY	1	
14	4FM-2117K-00-00	STAY, LOCK	1	
15	90149-06308-00	SCREW	2	
16	4FM-Y2479-20-P0	COVER, SEAT	1	BLUISH WHITE COCKTAIL 1
17	4FM-2478M-00-00	. GRAPHIC, SEAT	1	
18	4FM-24786-00-00	. EMBLEM	2	
19	4FM-2475J-00-00	BRACKET, SEAT LEVER 2	1	
20	4FM-2475H-00-00	BRACKET, SEAT LEVER 1	1	

FRONT WHEEL

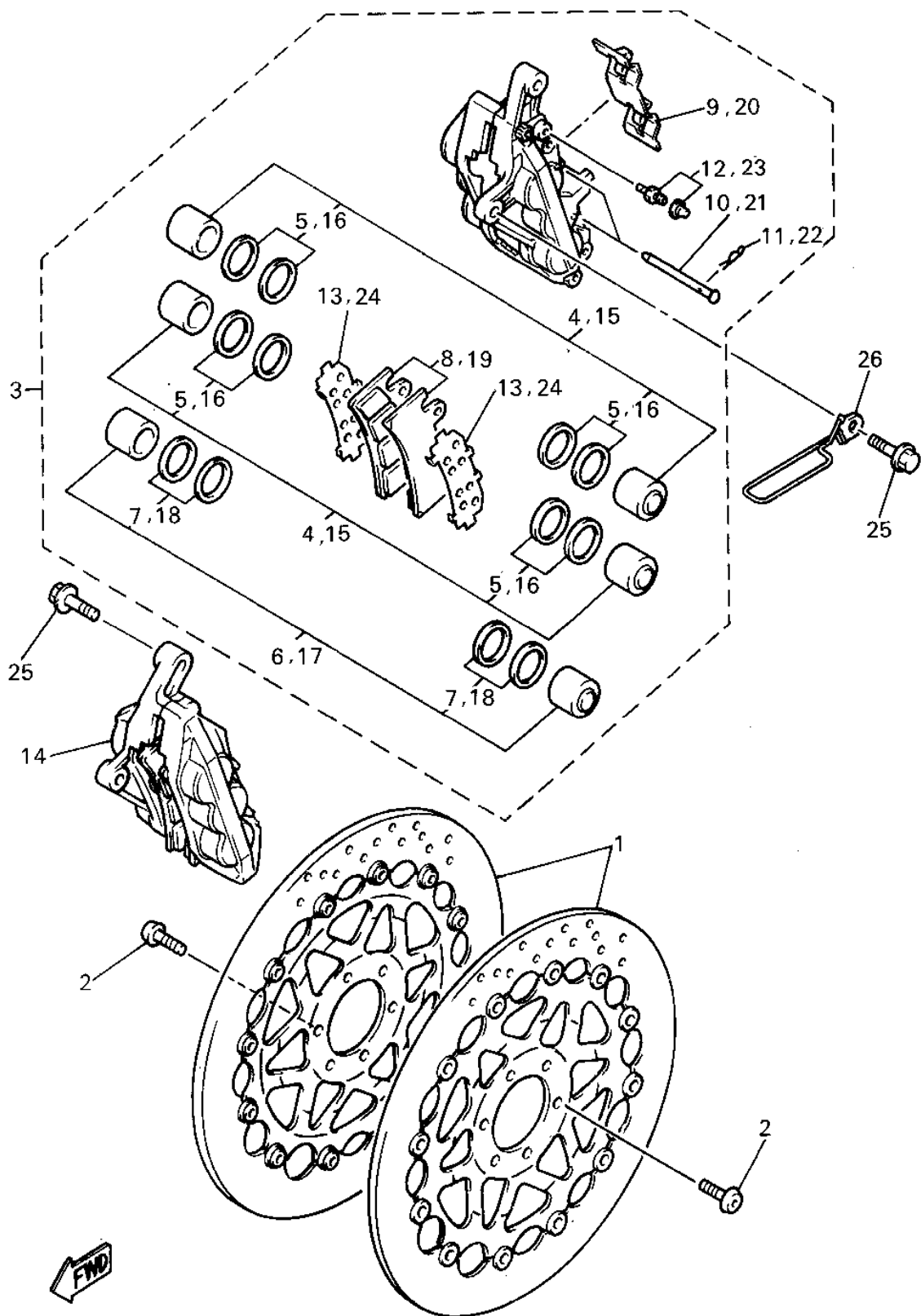


Ref. No.	Part Number	Description	Qty	Remarks
1	4FM-25168-00-P4	CAST WHEEL, FRONT	1	LIGHT REDDISH YELLOW SOLID 1
2	90387-2200S-00	COLLAR	1	
3	93306-00420-00	BEARING (B6004)	2	
4	93102-28021-00	OIL SEAL	1	
5	4FM-25149-00-00	CLUTCH, METER	1	
6	341-25846-00-00	RETAINER, CLUTCH	1	
7	93105-45017-00	OIL SEAL	1	
8	94112-1700N-00	TIRE (120/70 ZR17 D202F)	1	DUNLOP
9	93900-00030-00	VALVE, RIM	1	
10	29L-25398-00-00	BALANCER, WHEEL (10G)	1	UN
	29L-25398-10-00	BALANCER, WHEEL (20G)	1	UN
	29L-25398-20-00	BALANCER, WHEEL (30G)	1	UN
11	4FM-25190-00-00	GEAR UNIT ASSEMBLY	1	
12	4FM-25181-01-00	AXLE, WHEEL	1	
13	90387-2200T-00	COLLAR	1	



4LE110-4290

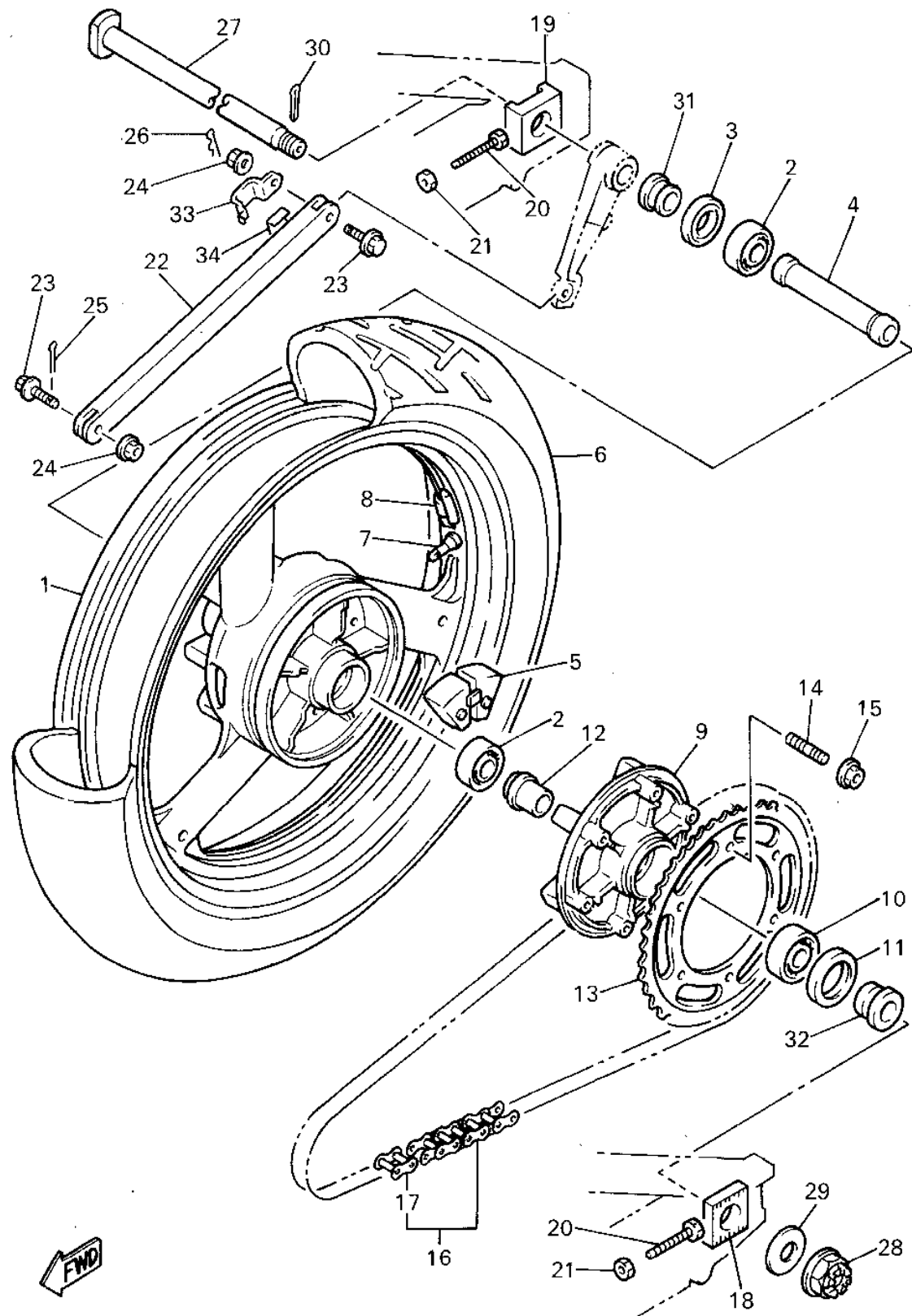
FRONT BRAKE CALIPER



Ref. No.	Part Number	Description	Qty	Remarks
1	4FM-2581T-01-00	DISC BRAKE ASSEMBLY	2	
2	90109-08718-00	BOLT	12	
3	4FM-2580T-11-00	CALIPER ASSEMBLY (LEFT)	1	
4	4FM-W0057-10-00	. PISTON ASSEMBLY, CALIPER	2	
5	3MA-W0047-10-00	. . CALIPER SEAL KIT	1	
6	4FM-W0057-00-00	. PISTON ASSEMBLY, CALIPER	1	
7	4FM-W0047-00-00	. . CALIPER SEAL KIT	1	
8	4FM-W0045-10-00	. BRAKE PAD KIT	1	
9	4FM-25919-00-00	. SUPPORT, PAD	1	
10	4FM-25924-00-00	. PIN, PAD	2	
11	4FM-25925-00-00	. CLIP	2	
12	1J3-W0048-00-00	. BLEED SCREW KIT	1	
13	4FM-25827-00-00	. SHIM, CALIPER	2	
14	4FM-2580U-11-00	CALIPER ASSEMBLY (RIGHT)	1	
15	4FM-W0057-10-00	. PISTON ASSEMBLY, CALIPER	2	
16	3MA-W0047-10-00	. . CALIPER SEAL KIT	1	
17	4FM-W0057-00-00	. PISTON ASSEMBLY, CALIPER	1	
18	4FM-W0047-00-00	. . CALIPER SEAL KIT	1	
19	4FM-W0045-10-00	. BRAKE PAD KIT	1	
20	4FM-25919-00-00	. SUPPORT, PAD	1	
21	4FM-25924-00-00	. PIN, PAD	2	
22	4FM-25925-00-00	. CLIP	2	
23	1J3-W0048-00-00	. BLEED SCREW KIT	1	
24	4FM-25827-00-00	. SHIM, CALIPER	2	
25	90105-10725-00	BOLT, WASHER BASED	4	
26	4FM-21596-00-00	HOLDER	1	

4HD300-3300

REAR WHEEL

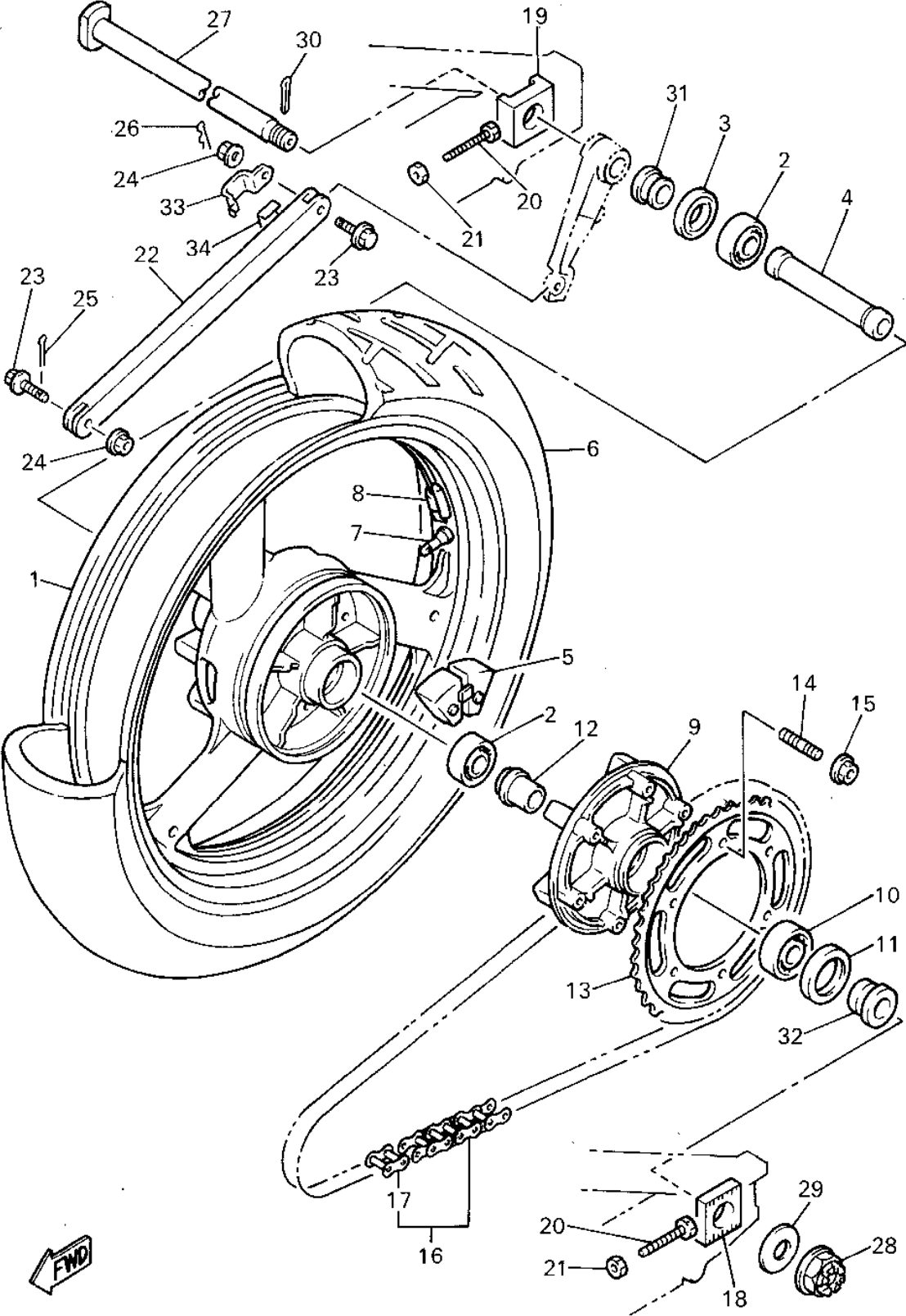


Ref. No.	Part Number	Description	Qty	Remarks
1	4FM-25338-00-P4	CAST WHEEL, REAR	1	LIGHT REDDISH YELLOW SOLID 1
2	93306-20567-00	BEARING	2	
3	93102-35412-00	OIL SEAL	1	
4	90560-28389-00	SPACER	1	
5	4FM-25364-00-00	DAMPER	6	
6	94118-1700T-00	TIRE (180/55 ZR17 D202)	1	DUNLOP
7	93900-00030-00	VALVE, RIM	1	
8	29L-25398-00-00	BALANCER, WHEEL (10G)	1	UN
	29L-25398-10-00	BALANCER, WHEEL (20G)	1	UN
	29L-25398-20-00	BALANCER, WHEEL (30G)	1	UN
9	4FM-25366-00-00	CLUTCH, HUB	1	
10	93306-20644-00	BEARING	1	
11	93102-40211-00	OIL SEAL	1	
12	4FM-25377-00-00	COLLAR, WHEEL	1	
13	3FV-25443-01-00	SPROCKET, DRIVEN (43T)	1	
14	90116-10575-00	BOLT, STUD	6	
15	95601-10200-00	NUT, SELF-LOCKING	6	
16	94581-55106-00	CHAIN (DID532ZLVKA1-L106)	1	
17	94681-55031-00	JOINT, CHAIN	1	
18	4FM-25388-00-00	PULLER, CHAIN 1	1	
19	4FM-25389-00-00	PULLER, CHAIN 2	1	
20	90101-08705-00	BOLT	2	
21	95333-08600-00	NUT	2	
22	4FM-25371-00-00	BAR, TENSION	1	
23	90105-08321-00	BOLT, WASHER BASED	2	
24	95701-08500-00	NUT, FLANGE	2	
25	91490-20020-00	PIN, COTTER	1	
26	90468-16099-00	CLIP	1	

CONTINUED ON NEXT FRAME ►

4HD300-3310

REAR WHEEL

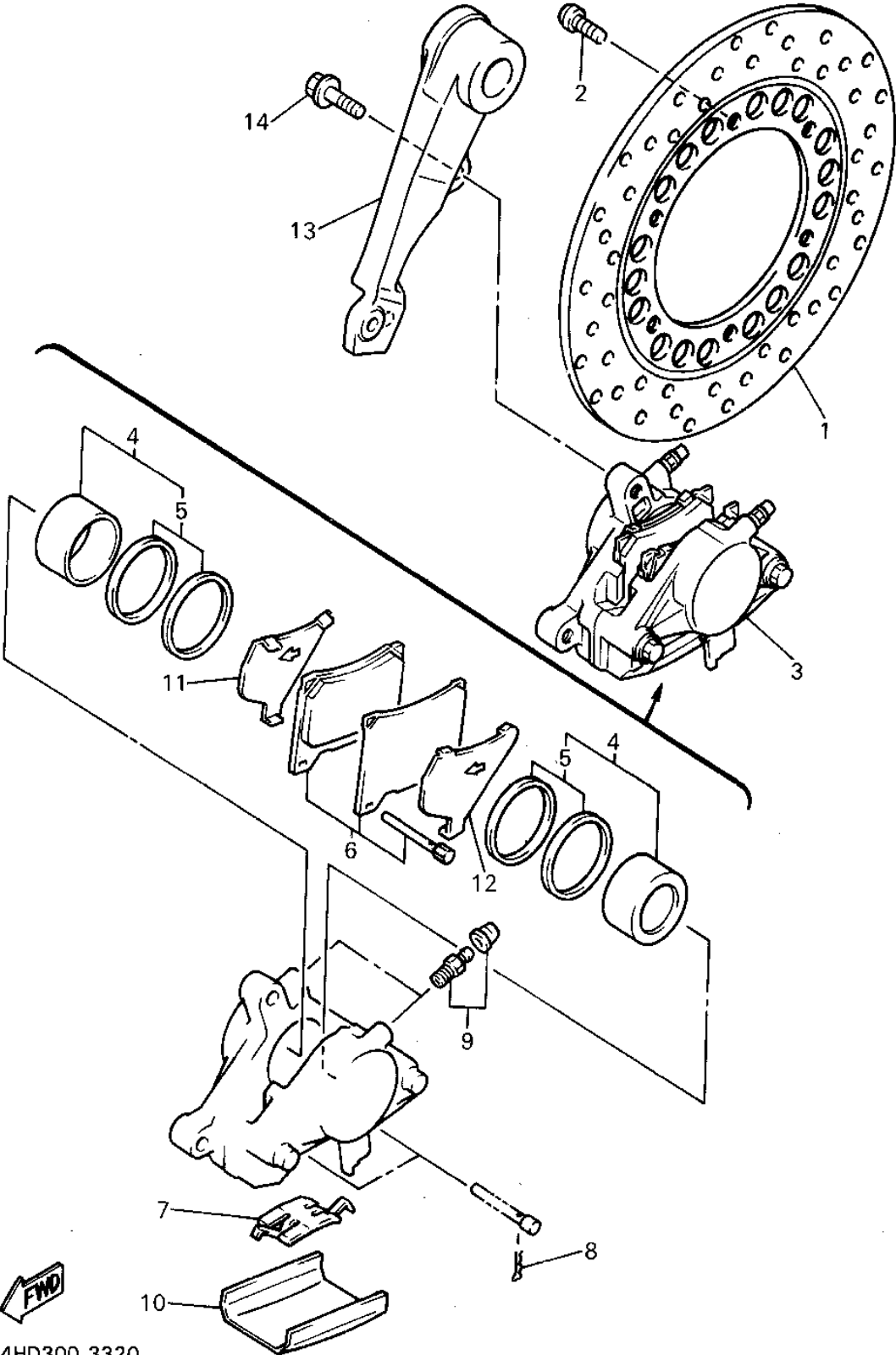


Ref. No.	Part Number	Description	Qty	Remarks
27	4FM-25381-01-00	AXLE, WHEEL	1	
28	90171-25054-00	NUT, CASTLE	1	
29	90201-263R9-00	WASHER, PLATE	1	
30	91401-40045-00	PIN, COTTER	1	
31	90387-2800P-00	COLLAR	1	
32	90387-2800R-00	COLLAR	1	
33	4FM-25887-00-00	HOLDER, BRAKE HOSE	1	
34	2AL-84553-00-00	DAMPER	1	



4HD300-3310

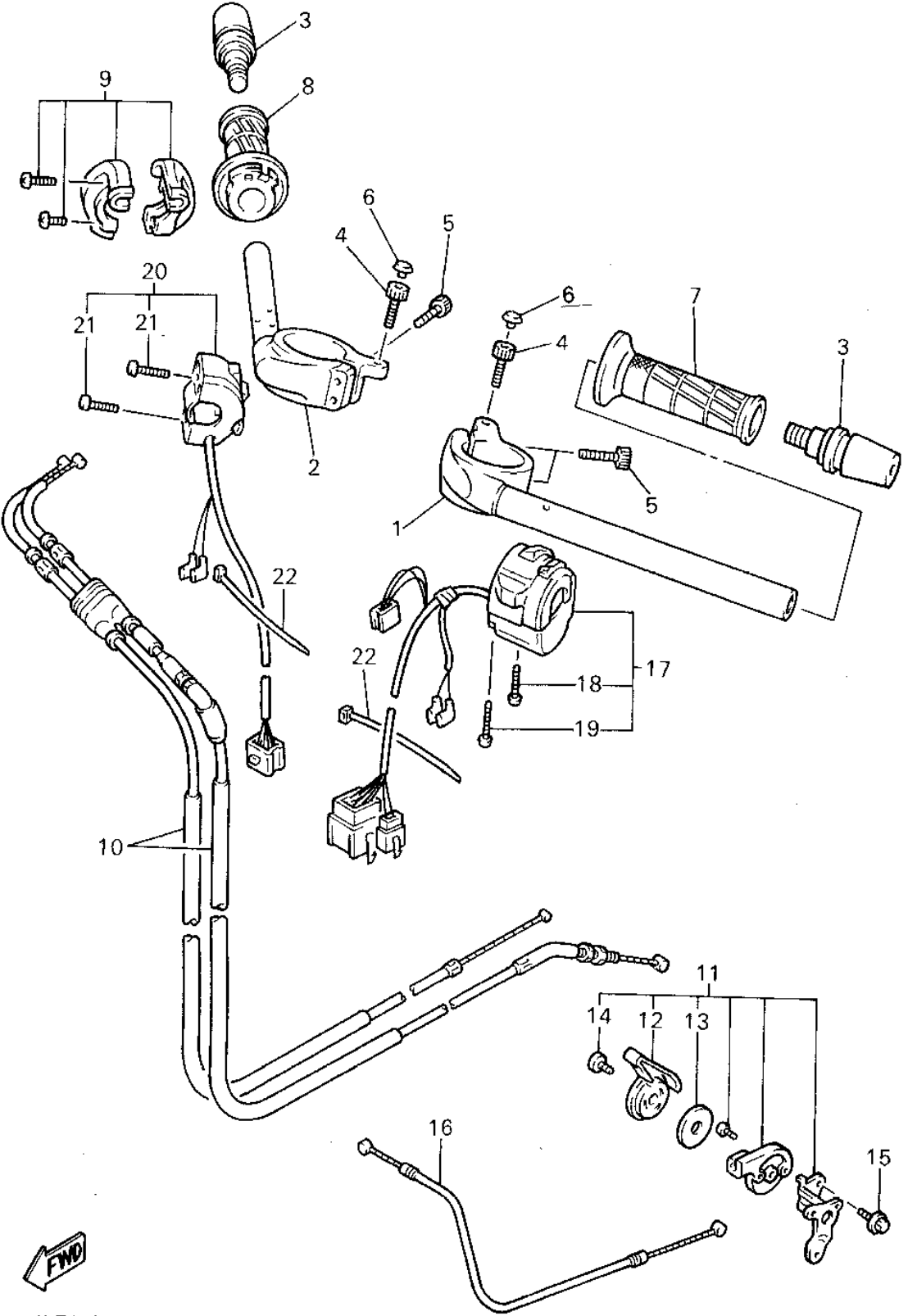
REAR BRAKE CALIPER



Ref. No.	Part Number	Description	Qty	Remarks
1	4FM-2582W-00-00	DISC, REAR BRAKE 2	1	
2	90109-08718-00	BOLT	6	
3	4FM-2580W-10-00	CALIPER ASSEMBLY, REAR 2	1	
4	31A-W0057-00-00	. PISTON ASSEMBLY, CALIPER	1	
5	31A-W0047-00-00	. . CALIPER SEAL KIT	1	
6	4FM-W0046-00-00	. BRAKE PAD KIT 2	1	
7	29L-25919-A0-00	. SUPPORT, PAD	1	
8	3HE-25925-00-00	. CLIP	2	
9	1J3-W0048-00-00	. BLEED SCREW KIT	2	
10	42H-25836-00-00	. COVER, DUST	1	
11	1FK-25827-00-00	. SHIM, CALIPER	1	
12	1FK-25828-00-00	. SHIM, CALIPER	1	
13	4FM-25819-01-00	BRACKET, CALIPER	1	
14	90105-10725-00	BOLT, WASHER BASED	2	

4HD300-3320

STEERING HANDLE - CABLE

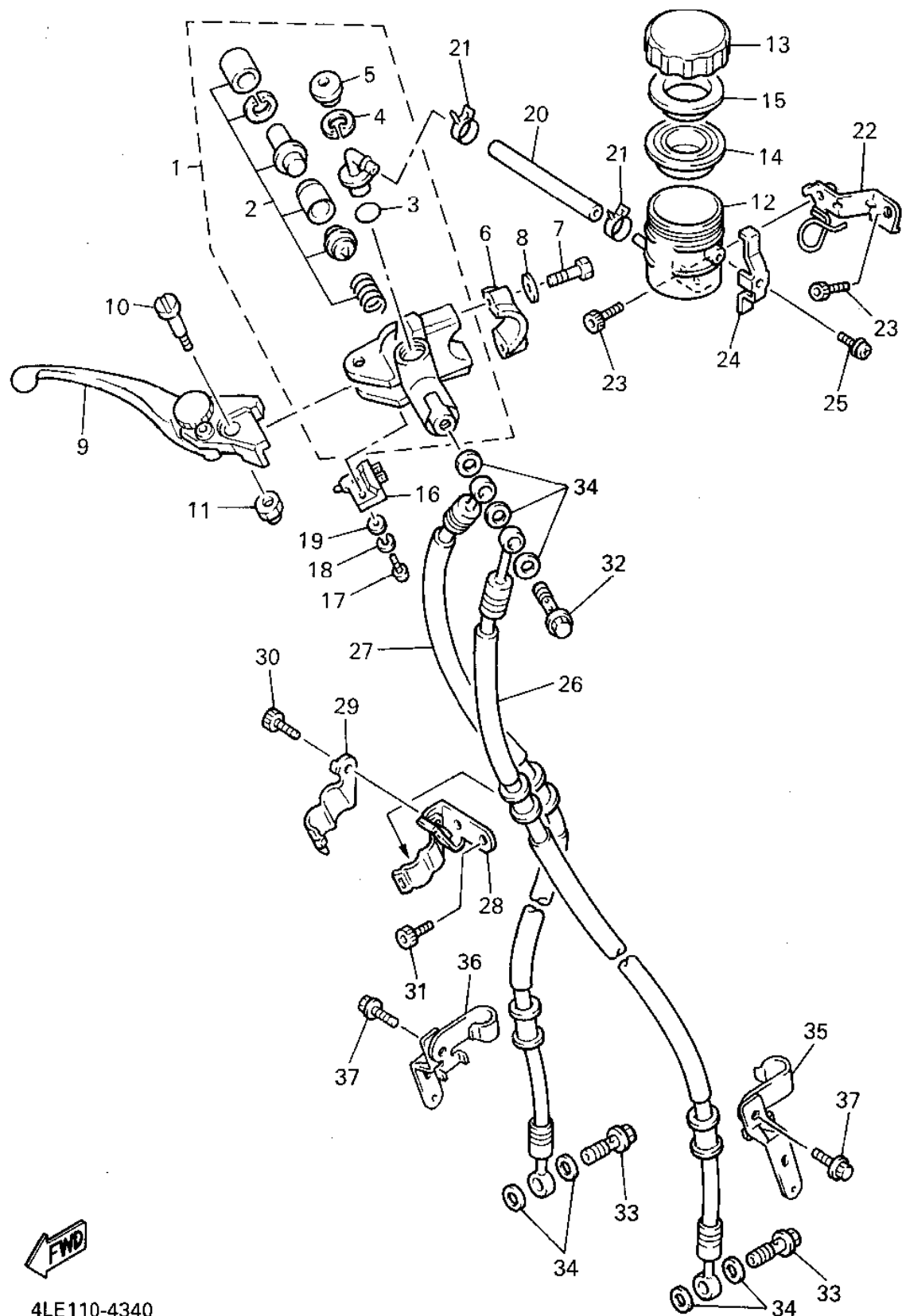


Ref. No.	Part Number	Description	Qty	Remarks
1	4FM-26121-01-00	HANDLEBAR (LEFT)	1	
2	4FM-26122-00-00	HANDLEBAR (RIGHT)	1	
3	36Y-26246-00-00	END, GRIP	2	
4	91311-06020-00	BOLT, SOCKET HEAD	2	
5	91311-06025-00	BOLT, SOCKET HEAD	4	
6	10L-23469-00-00	CAP, BOLT	2	
7	4FM-26241-00-00	GRIP (LEFT)	1	
8	4FM-26240-00-00	GRIP ASSEMBLY	1	
9	3LN-26270-01-00	CABLE CONNECTOR CAP ASSEMBLY	1	
10	4FM-26302-00-00	THROTTLE CABLE ASSEMBLY	1	
11	4FM-83940-00-00	STARTER ASSEMBLY	1	
12	1WG-83941-00-00	. LEVER, STARTER	1	
13	90209-10131-00	. WASHER	1	
14	98906-06008-00	. SCREW, BIND	1	
15	95826-06010-00	BOLT, FLANGE	1	
16	3FV-26331-00-00	CABLE, STARTER 1	1	
17	3LK-83973-10-00	SWITCH, HANDLE 3	1	
18	98506-05030-00	. SCREW, PAN HEAD	1	
19	98506-05040-00	. SCREW, PAN HEAD	1	
20	4FM-83975-00-00	SWITCH, HANDLE 2	1	
21	98506-05018-00	. SCREW, PAN HEAD	2	
22	25G-83936-01-00	BAND, SWITCH CORD	2	



4LE110-4330

FRONT MASTER CYLINDER



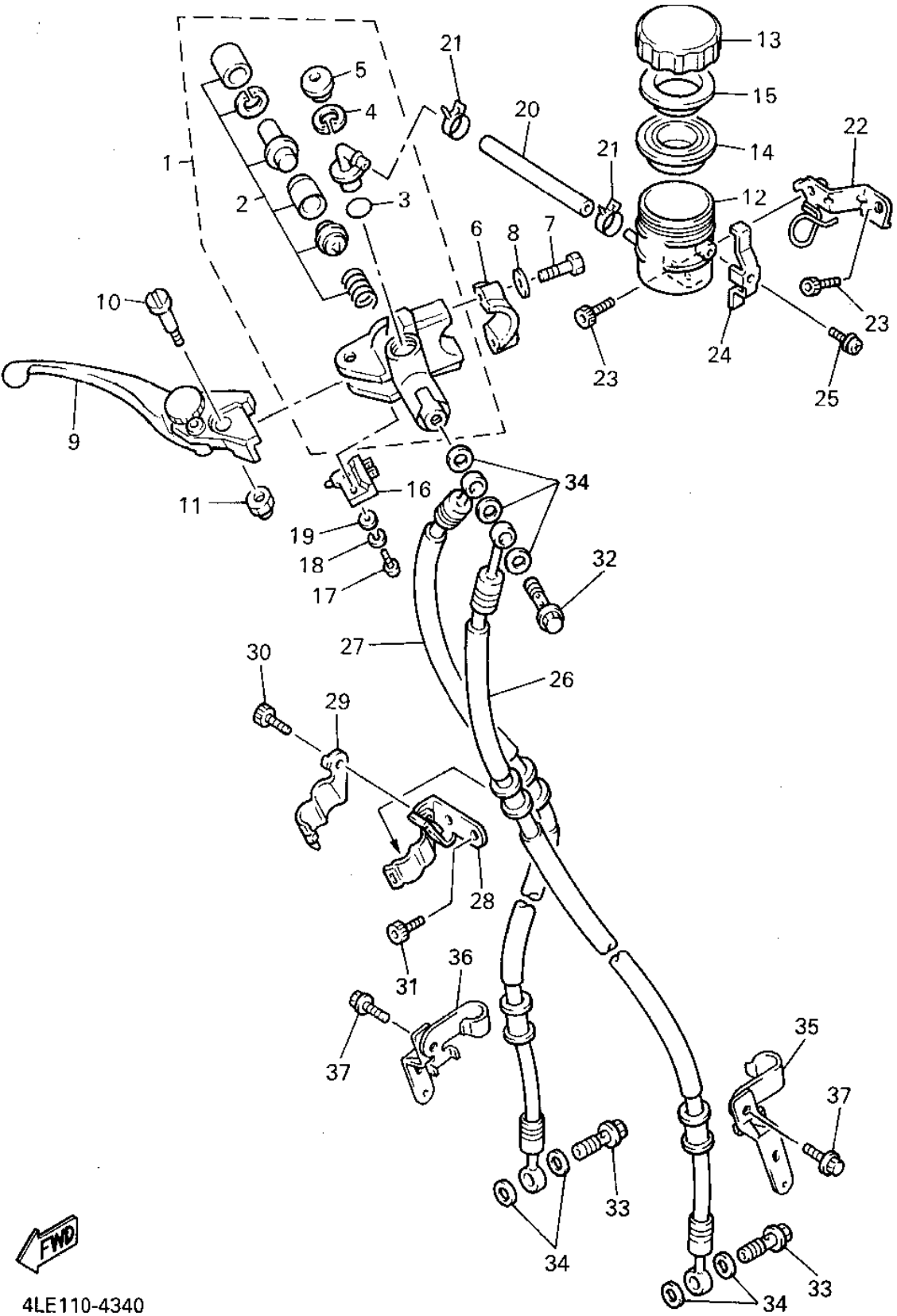
Ref. No.	Part Number	Description	Qty	Remarks
1	3GM-W2587-50-00	MASTER CYLINDER SUB ASSEMBLY	1	
2	3GM-W0041-50-00	. CYLINDER KIT, MASTER	1	
3	93210-15620-00	. O-RING	1	
4	2VN-25866-00-00	. CIRCLIP	1	
5	3FV-2589A-00-00	. COVER, DUST	1	
6	56A-25867-00-00	BRACKET, MASTER CYLINDER	1	
7	97016-06025-00	BOLT	2	
8	92906-06600-00	WASHER	2	
9	3GM-83922-50-00	LEVER 2	1	
10	3FV-2589F-00-00	BOLT, LEVER	1	
11	95616-06100-00	NUT, U	1	
12	3FV-25894-00-00	TANK, RESERVOIR	1	
13	3GM-25852-50-00	CAP, RESERVOIR	1	
14	3FV-25854-00-00	DIAPHRAGM, RESERVOIR	1	
15	2J2-25855-50-00	BUSH, DIAPHRAGM	1	
16	3FV-83980-00-00	FRONT STOP SWITCH ASSEMBLY	1	
17	98511-04012-00	SCREW, PAN HEAD	1	
18	92990-04100-00	WASHER, SPRING	1	
19	92901-04600-00	WASHER, PLATE	1	
20	3GM-2585F-00-00	HOSE	1	
21	3PA-24356-00-00	CLIP, PIPE 1	2	
22	4FM-26292-00-00	STAY	1	
23	91316-06012-00	BOLT, SOCKET HEAD	2	
24	3FV-2589G-00-00	HOLDER	1	
25	3GM-2589H-00-00	SCREW	1	
26	4FM-25872-00-00	HOSE, BRAKE 1	1	
27	4FM-25873-00-00	HOSE, BRAKE 2	1	

CONTINUED ON NEXT FRAME ►



4LE110-4340

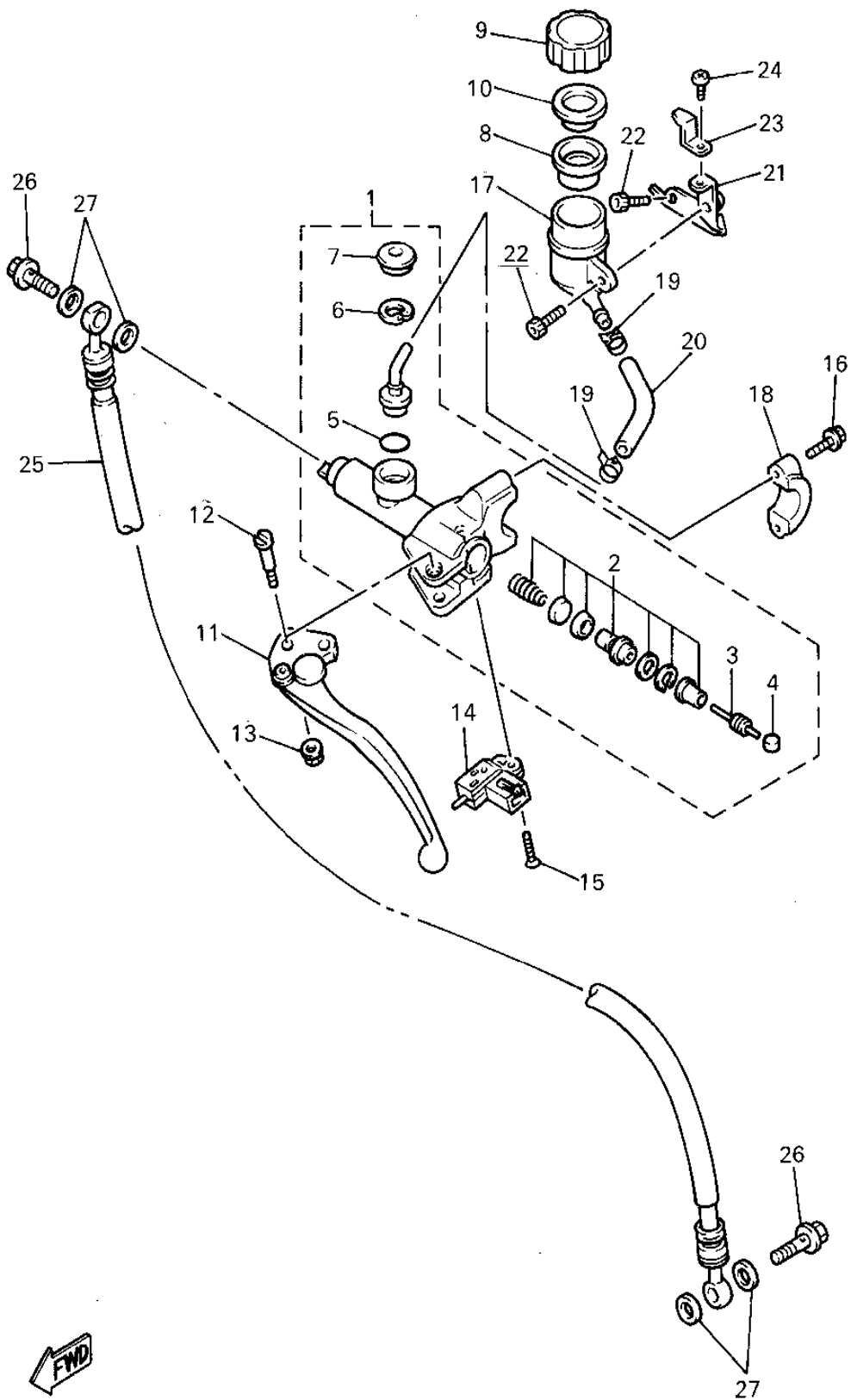
FRONT MASTER CYLINDER



Ref. No.	Part Number	Description	Qty	Remarks
28	3GM-23377-00-00	BRACKET, HORN	1	
29	3GM-23378-00-00	BRACKET	1	
30	91316-06010-00	BOLT, SOCKET HEAD	1	
31	91316-06012-00	BOLT, SOCKET HEAD	2	
32	90401-10160-00	BOLT, UNION	1	
33	90401-10159-00	BOLT, UNION	2	
34	90201-10118-00	WASHER, PLATE	7	
35	3LK-25875-51-00	HOLDER, BRAKE HOSE 1	1	
36	3LK-25876-51-00	HOLDER, BRAKE HOSE 2	1	
37	95816-06012-00	BOLT, FLANGE	2	

FWD
4LE110-4340

FRONT MASTER CYLINDER 2

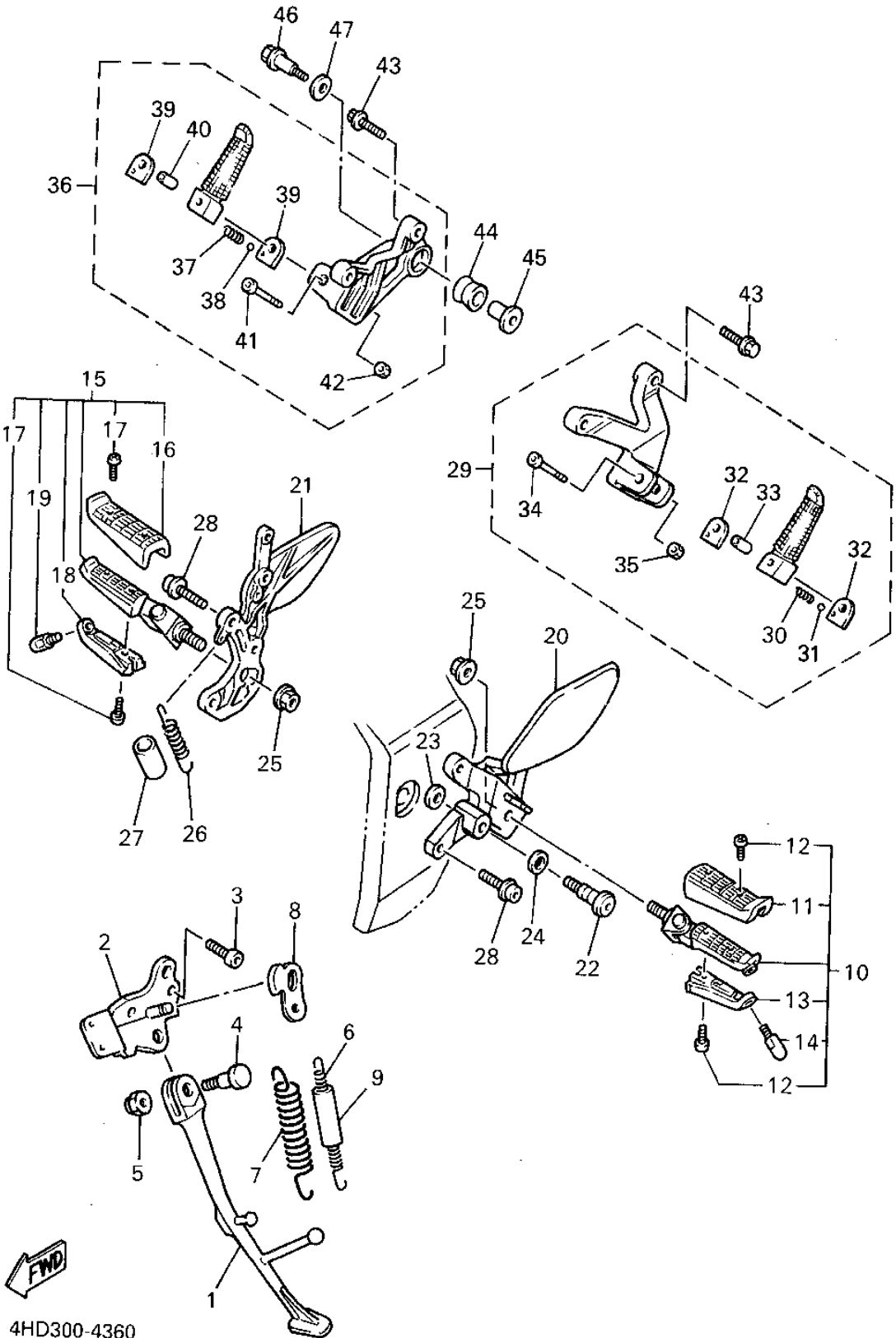


Ref. No.	Part Number	Description	Qty	Remarks
1	4FM-W2645-00-00	MASTER CYLINDER SUB ASSEMBLY	1	
2	3GM-W0099-00-00	. CYLINDER KIT, MASTER (CLUTCH)	1	
3	3GM-26464-00-00	. ROD, PUSH	1	
4	3GM-26455-00-00	. BUSH	1	
5	93210-15620-00	. O-RING	1	
6	2VN-25866-00-00	. CIRCLIP	1	
7	3FV-2589A-00-00	. COVER, DUST	1	
8	3GK-25854-50-00	DIAPHRAGM, RESERVOIR	1	
9	4FM-25852-00-00	CAP, RESERVOIR	1	
10	3GK-25855-50-00	BUSH, DIAPHRAGM	1	
11	4FM-83912-00-00	LEVER 1	1	
12	3FV-2589F-00-00	BOLT, LEVER	1	
13	95706-06500-00	NUT, FLANGE	1	
14	3GM-83980-00-00	FRONT STOP SWITCH ASSEMBLY	1	
15	98706-04016-00	SCREW, FLAT HEAD	1	
16	95026-06025-00	BOLT, FLANGE	2	
17	4FM-25894-00-00	TANK, RESERVOIR	1	
18	56A-25867-00-00	BRACKET, MASTER CYLINDER	1	
19	3PA-24356-00-00	CLIP, PIPE 1	2	
20	4FM-2585F-00-00	HOSE	1	
21	4FM-26296-00-00	BRACKET	1	
22	91316-06012-00	BOLT, SOCKET HEAD	2	
23	4FM-26475-00-00	HOLDER	1	
24	98506-04008-00	SCREW, PAN HEAD	1	
25	2GH-26470-01-00	HOSE, CLUTCH	1	
26	90401-10096-00	BOLT, UNION	2	
27	90201-10118-00	WASHER, PLATE	4	



4HD300-3350

STAND - FOOTREST

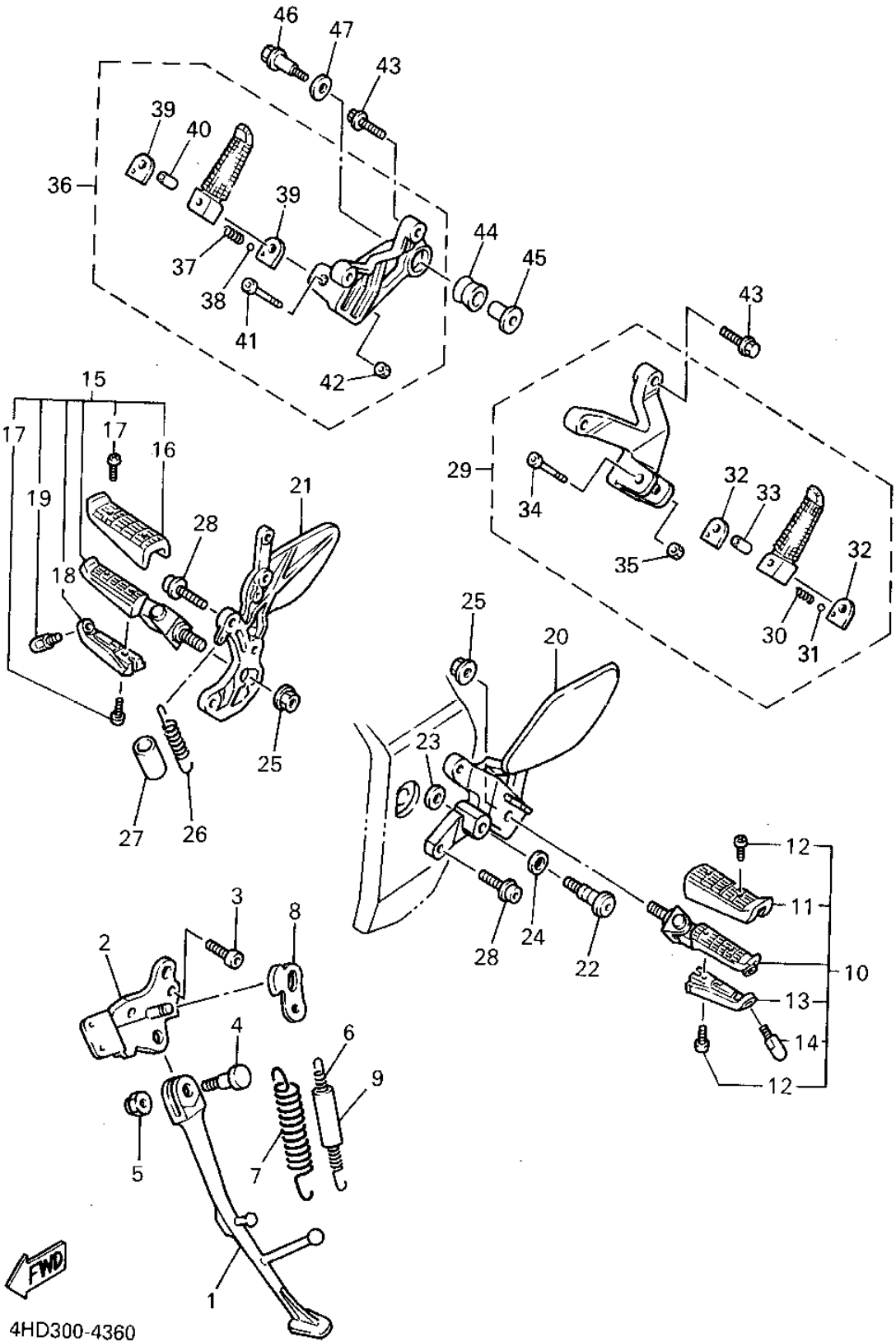


Ref. No.	Part Number	Description	Qty	Remarks
1	4FM-27311-00-00	STAND, SIDE	1	
2	4FM-27321-00-00	BRACKET, SIDE STAND	1	
3	90110-08155-00	BOLT, HEXAGON SOCKET HEAD	2	
4	90109-104E6-00	BOLT	1	
5	90185-10037-00	NUT, SELF-LOCKING	1	
6	90506-18224-00	SPRING, TENSION	1	
7	90506-26225-00	SPRING, TENSION	1	
8	4FM-27315-00-00	LINK, SIDE STAND	1	
9	1TX-27351-00-00	GUIDE, SIDE STAND	1	
10	4FM-27410-00-00	FRONT FOOTREST ASSEMBLY (LEFT)	1	
11	2GH-27413-00-00	. COVER, FOOTREST	1	
12	90157-05079-00	. SCREW, PAN HEAD	3	
13	4FM-27471-00-00	. BAR, FOOTREST 1	1	
14	4FM-27435-00-00	. BOLT	1	
15	4FM-27420-00-00	FRONT FOOTREST ASSEMBLY (RIGHT)	1	
16	2GH-27413-00-00	. COVER, FOOTREST	1	
17	90157-05079-00	. SCREW, PAN HEAD	3	
18	4FM-27471-00-00	. BAR, FOOTREST 1	1	
19	4FM-27435-00-00	. BOLT	1	
20	4FM-27442-00-00	BRACKET 2	1	
21	4FM-27443-00-00	BRACKET 3	1	
22	4BP-27434-01-00	BOLT	1	
23	90201-08326-00	WASHER, PLATE	1	
24	90201-127J6-00	WASHER, PLATE	1	
25	90179-10247-00	NUT	2	
26	90506-20377-00	SPRING, TENSION	1	
27	90446-17346-00	HOSE	1	

CONTINUED ON NEXT FRAME ➤

4HD300-4360

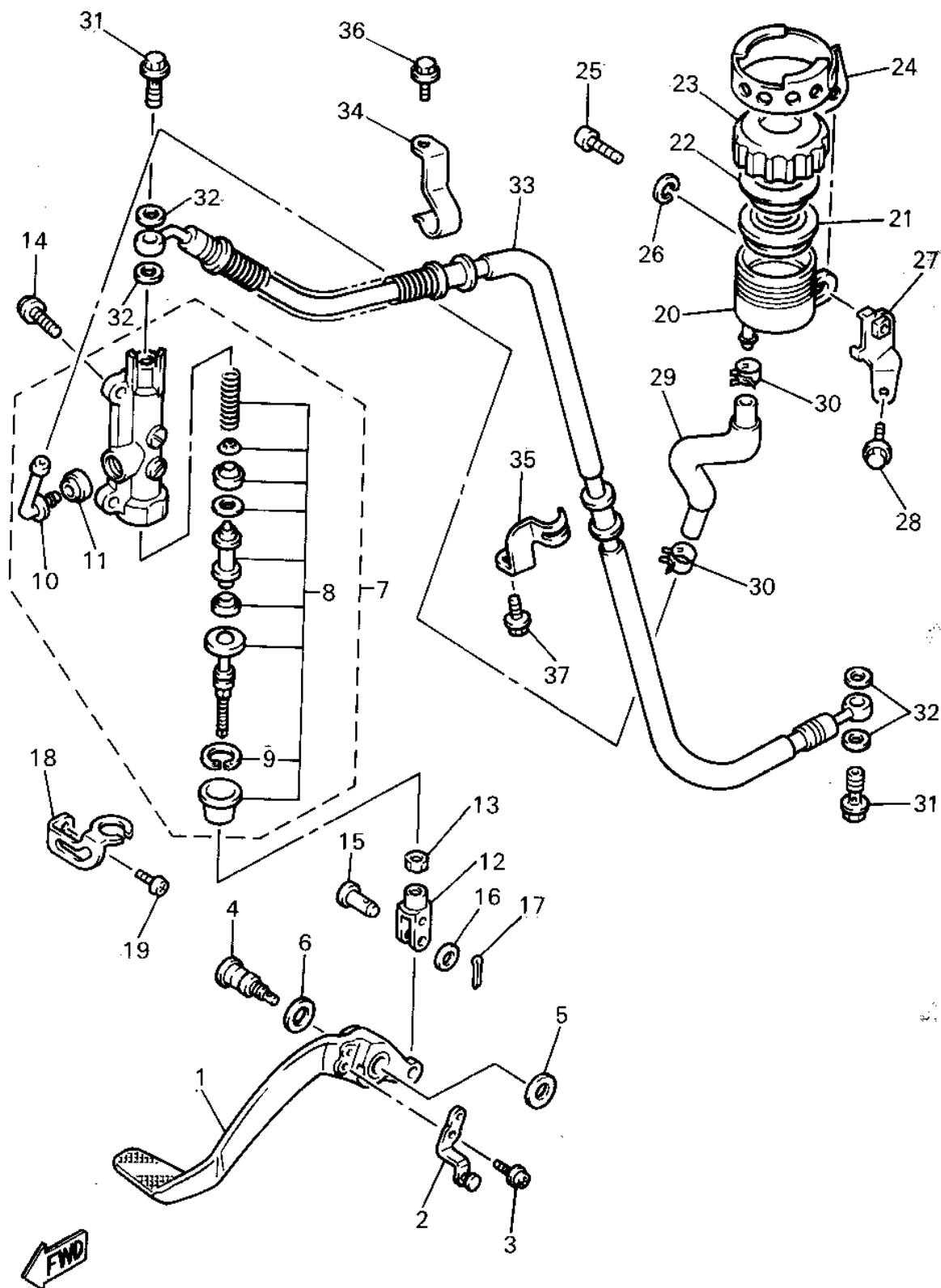
STAND - FOOTREST



Ref. No.	Part Number	Description	Qty	Remarks
28	90110-08199-00	BOLT, HEXAGON SOCKET HEAD	4	
29	4FM-27430-10-00	REAR FOOTREST ASSEMBLY 1	1	
30	90501-12743-00	. SPRING, COMPRESSION	1	
31	93501-04011-00	. BALL	1	
32	1HX-27437-00-00	. WASHER, SPECIAL	2	
33	90387-064H8-00	. COLLAR	1	
34	91311-06045-00	. BOLT	1	
35	95601-06100-00	. NUT, U	1	
36	4FM-27440-10-00	REAR FOOTREST ASSEMBLY 2	1	
37	90501-12743-00	. SPRING, COMPRESSION	1	
38	93501-04011-00	. BALL	1	
39	1HX-27437-00-00	. WASHER, SPECIAL	2	
40	90387-064H8-00	. COLLAR	1	
41	91311-06045-00	. BOLT	1	
42	95601-06100-00	. NUT, U	1	
43	95811-08030-00	BOLT, FLANGE	2	
44	2H7-27414-00-00	DAMPER, FOOTREST	1	
45	90387-10636-00	COLLAR	1	
46	90105-10316-00	BOLT, WASHER BASED	1	
47	90201-10669-00	WASHER, PLATE	1	

4HD300-4360

REAR MASTER CYLINDER

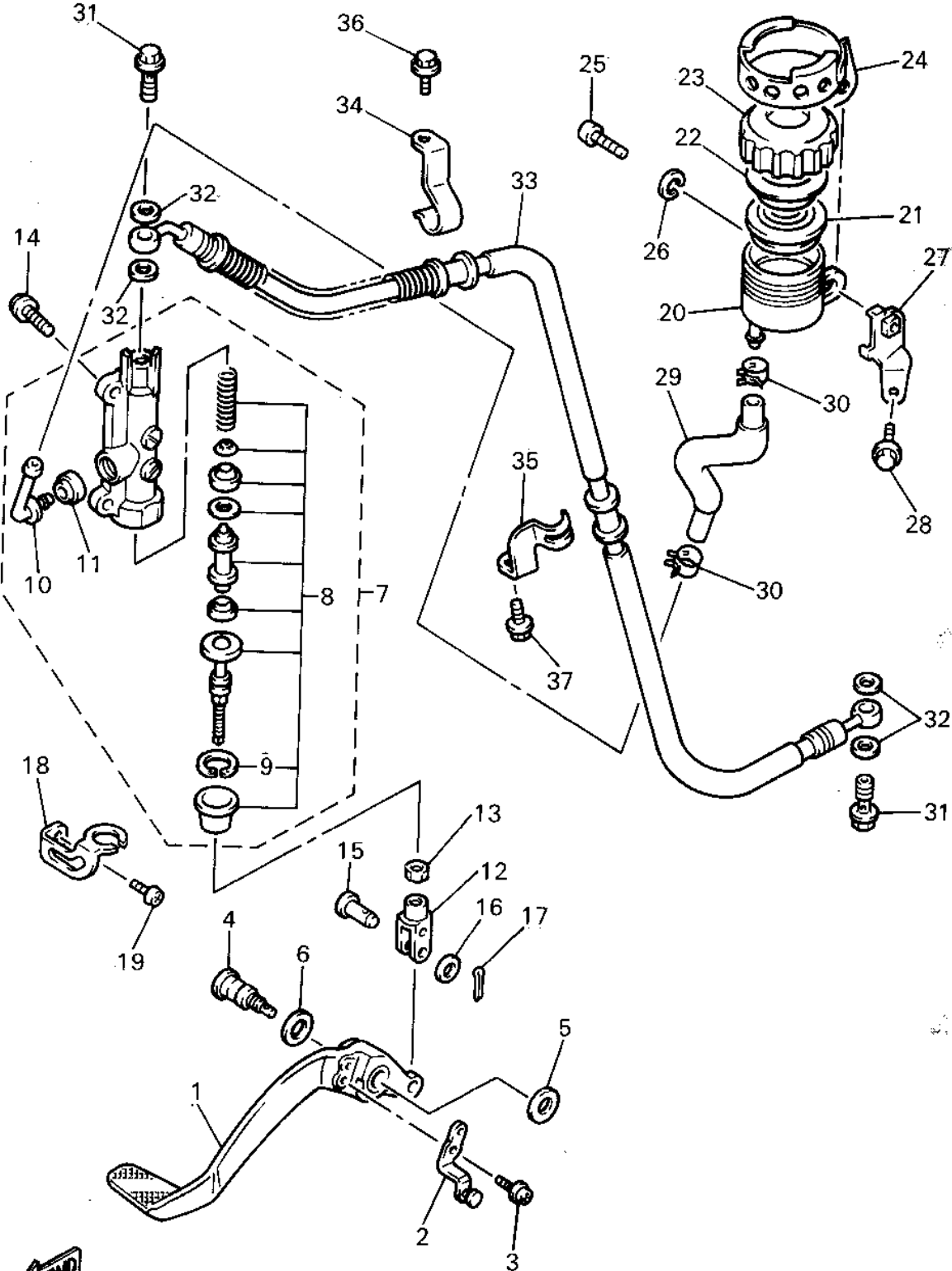


Ref. No.	Part Number	Description	Qty	Remarks
1	4FM-27211-00-00	PEDAL, BRAKE	1	
2	4FM-27254-00-00	HOOK	1	
3	90159-06045-00	SCREW, WITH WASHER	1	
4	3YF-27261-00-00	SHAFT	1	
5	90201-104R2-00	WASHER, PLATE	1	
6	90206-14086-00	WASHER, WAVE	1	
7	4BH-2583V-00-00	RR. MASTER CYLINDER ASSEMBLY.	1	
8	4BH-W0042-50-00	. CYLINDER KIT, MASTER	1	
9	3LN-2585G-00-00	.. CIRCLIP	1	
10	4BP-2582A-00-00	. JOINT	1	
11	4BP-2585F-00-00	. BUSH	1	
12	4FM-27222-00-00	JOINT	1	
13	95303-08700-00	NUT	1	
14	92011-08020-00	BOLT, BUTTON HEAD	2	
15	90240-08124-00	PIN, CLEVIS	1	
16	90201-08083-00	WASHER, PLATE	1	
17	91490-20020-00	PIN, COTTER	1	
18	4FM-2144G-00-00	STAY, STOP SWITCH	1	
19	98580-06010-00	SCREW, PAN HEAD (92503-06010)	1	
20	31A-25894-01-00	TANK, RESERVOIR	1	
21	360-25854-00-00	DIAPHRAGM, RESERVOIR ...	1	
22	2GU-25855-00-00	BUSH, DIAPHRAGM	1	
23	2KF-25852-50-00	CAP, RESERVOIR	1	
24	3PJ-25888-00-00	COVER, RESERVOIR TANK ...	1	
25	98516-06020-00	SCREW, PAN HEAD	1	
26	92906-06100-00	WASHER, SPRING	1	
27	4FM-2133G-00-00	BRACKET, RESERVER	1	

CONTINUED ON NEXT FRAME ►

4HD300-3370

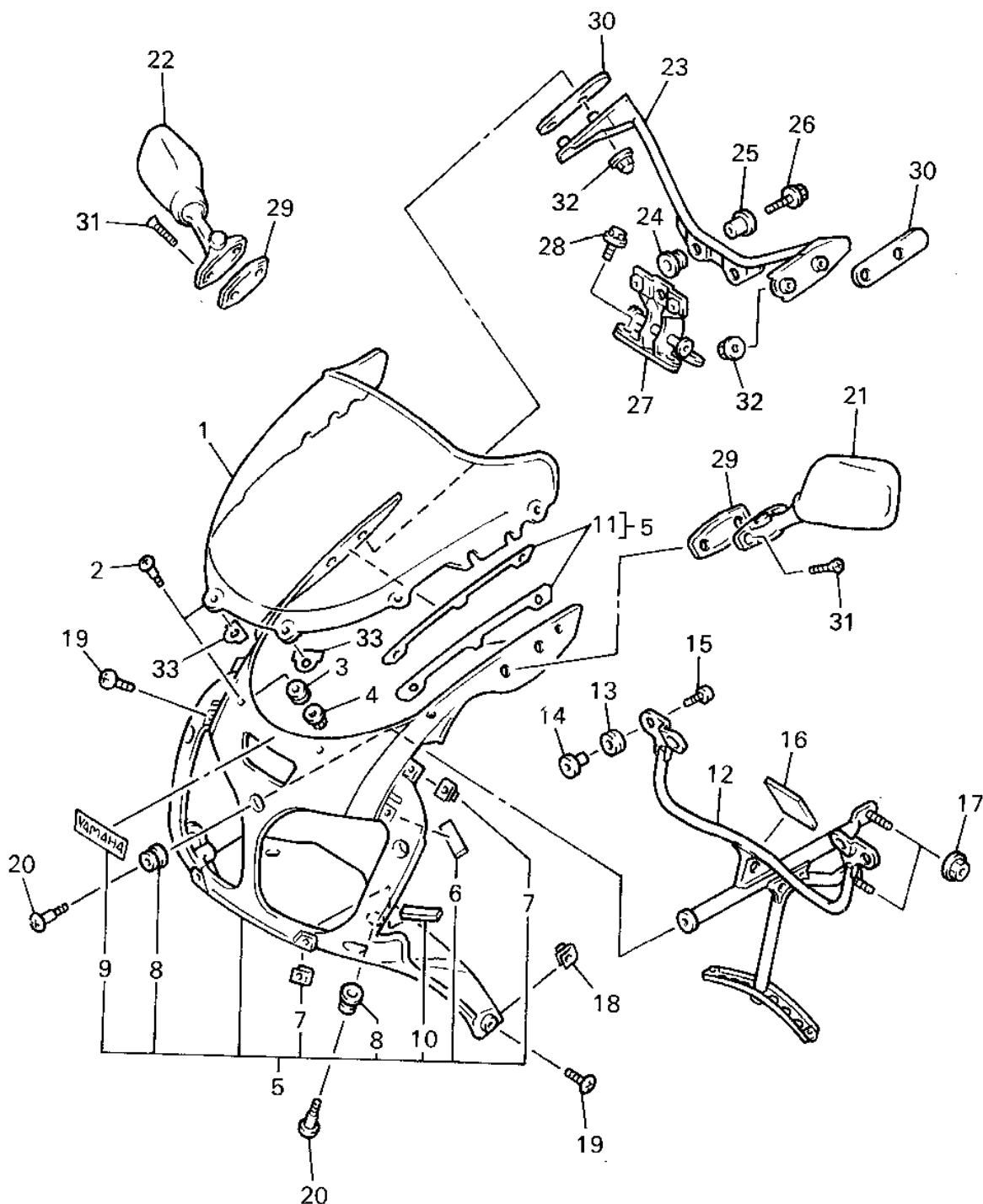
REAR MASTER CYLINDER



Ref. No.	Part Number	Description	Qty	Remarks
28	95811-06016-00	BOLT, FLANGE (95822-06016)	1	
29	4FM-25895-00-00	HOSE, RESERVOIR	1	
30	90467-14057-00	CLIP	2	
31	90401-10159-00	BOLT, UNION	2	
32	90201-10118-00	WASHER, PLATE	4	
33	4FM-25874-01-00	HOSE, BRAKE	1	
34	4FM-25875-00-00	HOLDER, BRAKE HOSE 1	1	
35	4FM-25876-00-00	HOLDER, BRAKE HOSE 2	1	
36	90105-06707-00	BOLT (95023-06016-00)	1	
37	95023-06008-00	BOLT	1	

4HD300-3370

COWLING 1



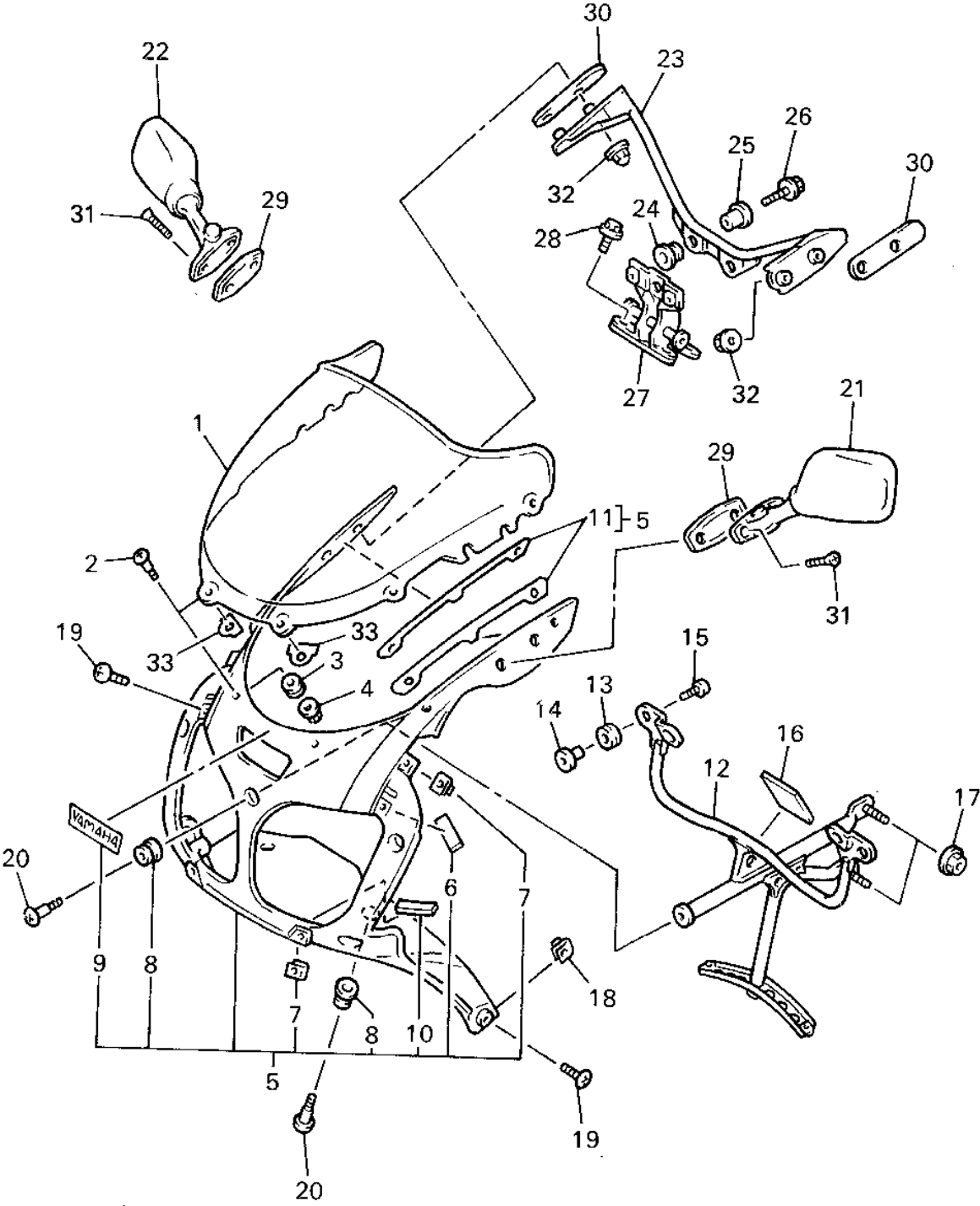
Ref. No.	Part Number	Description	Qty	Remarks
1	4FM-28381-00-00	WINDSHIELD	1	
2	90149-05273-00	SCREW	6	
3	4FM-28215-00-00	WASHER, SPECIAL	6	
4	95706-05500-00	NUT, FLANGE	6	
5	4FM-Y2835-30-P0	COWLING ASS'Y	1	DEEP VIOLET METALLIC 1
6	89X-77167-00-00	. TRIM 3	2	
7	90183-05024-00	. NUT, SPRING	6	
8	90480-13398-00	. GROMMET	3	
9	99236-00100-00	. EMBLEM, YAMAHA	1	
10	3MA-21649-00-00	. DAMPER	2	
11	4FM-2834V-00-00	. PROTECTOR 1	2	
12	4FM-28356-00-00	STAY 1	1	
13	90480-13163-00	GROMMET	2	
14	90560-06201-00	SPACER	2	
15	97706-50016-00	SCREW, TAPPING	2	
16	51L-28371-00-00	DAMPER	1	
17	95601-08200-00	NUT, U	2	
18	90183-05024-00	NUT, SPRING	2	
19	90150-05039-00	SCREW, ROUND HEAD	8	
20	90150-06036-00	SCREW, ROUND HEAD	3	
21	4FM-26280-00-00	REAR VIEW MIRROR ASSEMBLY (LEFT)	1	WHITE
22	4FM-26290-00-00	REAR VIEW MIRROR ASSEMBLY (RIGHT)	1	WHITE
23	4FM-2831W-00-00	STAY, MIRROR 1	1	
24	90480-13398-00	GROMMET	2	
25	90387-067N5-00	COLLAR	2	
26	95026-06016-00	BOLT, FLANGE	2	
27	4FM-2832W-00-00	STAY, MIRROR 2	1	

CONTINUED ON NEXT FRAME ►



4HD300-4380

COWLING 1

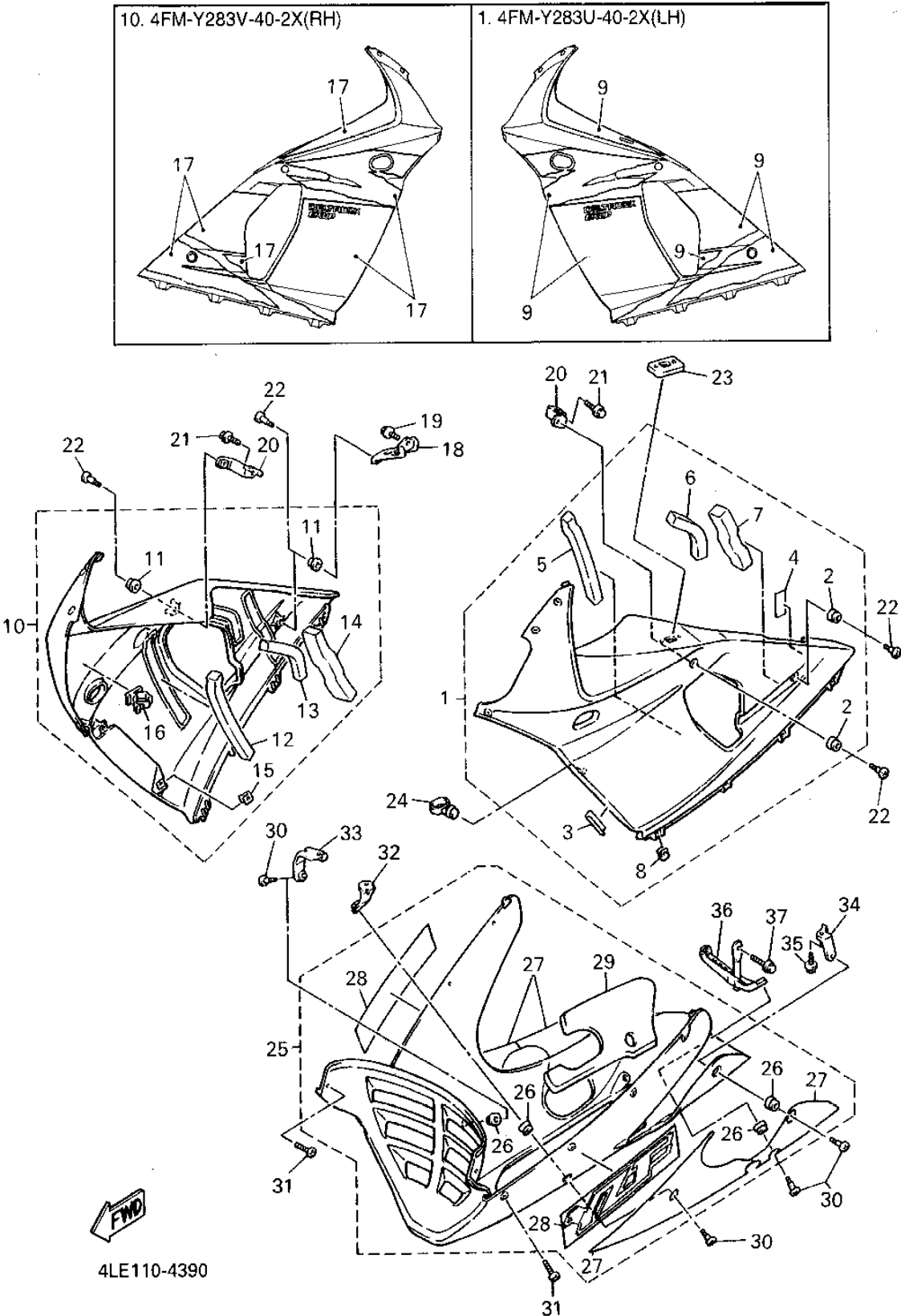


Ref. No.	Part Number	Description	Qty	Remarks
28	95026-06012-00	BOLT, FLANGE	2	
29	4FM-26299-00-00	PLATE, MIRROR FITTING 2	2	
30	3XV-26298-00-00	PLATE, MIRROR FITTING 1	2	
31	98706-06025-00	SCREW, FLAT HEAD	4	
32	90176-06055-00	NUT, CROWN	4	
33	4FM-2834W-00-00	PROTECTOR 2	2	



4HD300-4380

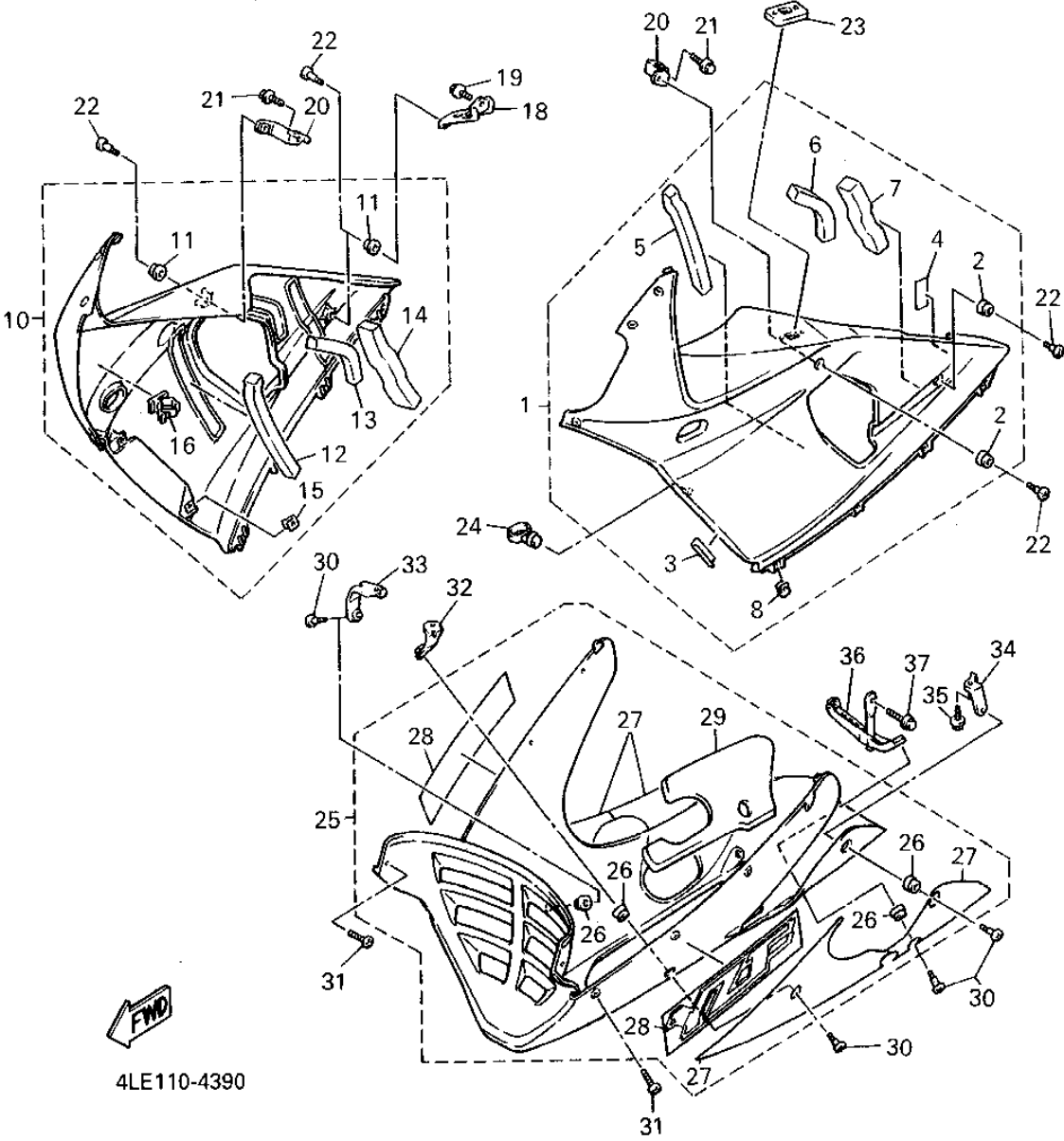
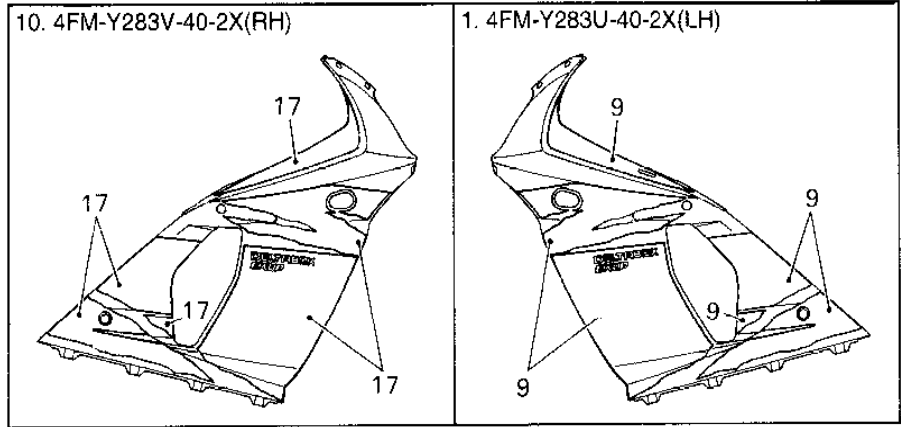
COWLING 2



Ref. No.	Part Number	Description	Qty	Remarks
1	4FM-Y283U-40-2X	PANEL ASSEMBLY 1	1	BLUISH WHITE COCKTAIL 1/ DEEP VIOLET METALLIC 1
2	90480-13398-00	. GROMMET	2	
3	1JK-21735-00-00	. SEAL 2	1	
4	1JK-21268-00-00	. SEAL	1	
5	4FM-21639-00-00	. DAMPER 2	1	
6	3YL-21649-00-00	. DAMPER	1	
7	4FM-28371-00-00	. DAMPER	1	
8	90183-05024-00	. NUT, SPRING	5	
9	4FM-28301-21-00	. GRAPHIC SET, LOWER COVER 1	1	
10	4FM-Y283V-40-2X	PANEL ASSEMBLY 2	1	BLUISH WHITE COCKTAIL 1/ DEEP VIOLET METALLIC 1
11	90480-13398-00	. GROMMET	2	
12	4FM-21639-00-00	. DAMPER 2	1	
13	3YL-21649-00-00	. DAMPER	1	
14	4FM-28371-00-00	. DAMPER	1	
15	90183-05024-00	. NUT, SPRING	5	
16	90464-25160-00	. CLAMP	1	
17	4FM-28303-01-00	. GRAPHIC SET, LOWER COVER 2	1	
18	4FM-28322-00-00	STAY 2	1	
19	95826-06010-00	BOLT, FLANGE	1	
20	4FM-2836H-00-00	BRACKET 5	2	
21	95816-08012-00	BOLT, flange	2	
22	90150-06036-00	SCREW, ROUND HEAD	4	
23	3FV-28365-00-00	COVER	1	
24	1A8-21518-00-00	HOLDER, CABLE	1	
25	4FM-Y2808-11-P0	COVER ASSEMBLY, UNDER ..	1	BLUISH WHITE COCKTAIL 1

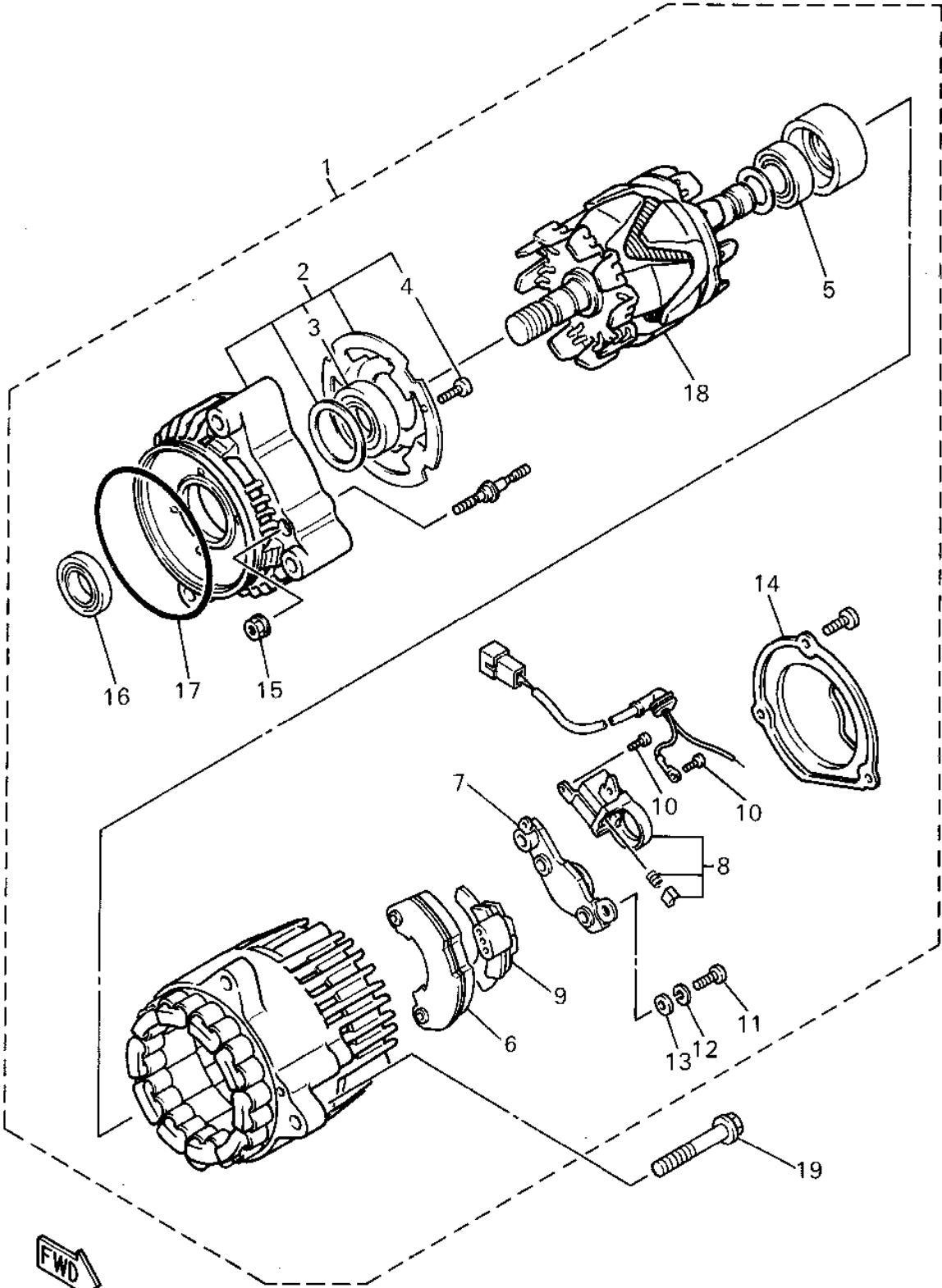
CONTINUED ON NEXT FRAME ➤

COWLING 2



Ref. No.	Part Number	Description	Qty	Remarks
26	90480-13398-00	. GROMMET	5	
27	4FM-28304-00-00	. GRAPHICSET, LOWER COVER 3	1	
28	4FM-28315-40-00	. EMBLEM	2	
29	4FM-2848K-00-00	. SEAT 2	1	
30	90150-06036-00	SCREW, ROUND HEAD	5	
31	90150-05039-00	SCREW, ROUND HEAD	10	
32	4FM-2836F-00-00	BRACKET 3	1	
33	4FM-2836G-00-00	BRACKET 4	1	
34	4FM-2836A-01-00	BRACKET 1	1	
35	95826-06010-00	BOLT, FLANGE	1	
36	4FM-2831T-00-00	STAY, SUPPORT 1	1	
37	90119-06018-00	BOLT, WITH WASHER	1	

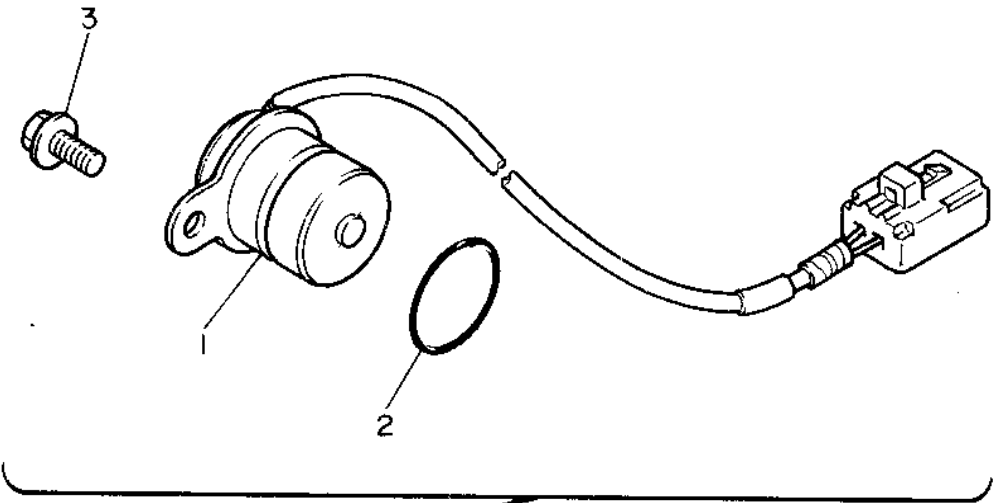
GENERATOR



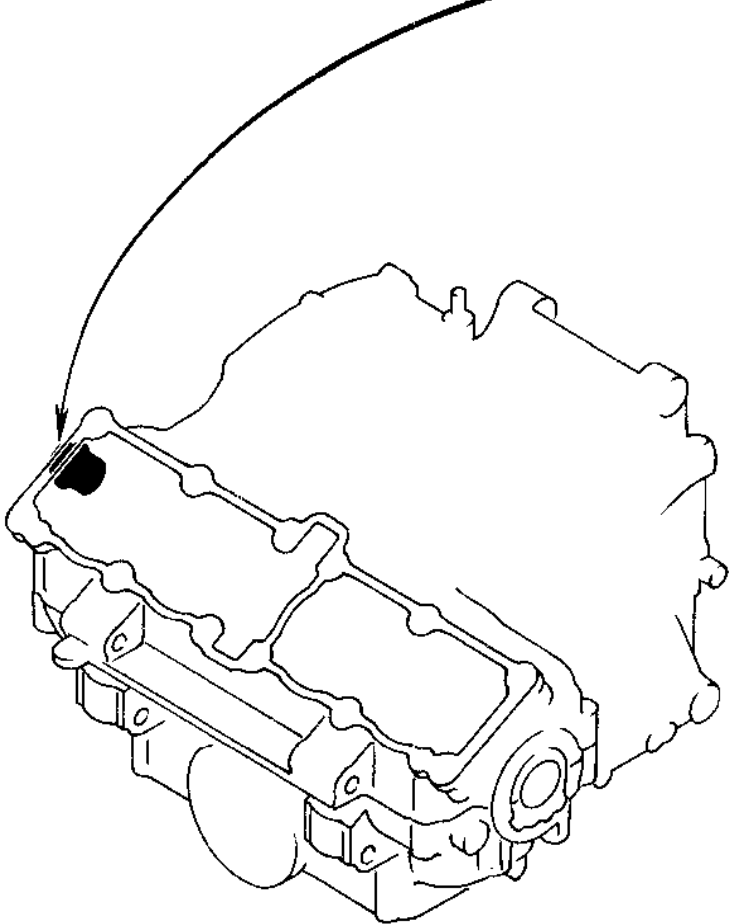
Ref. No.	Part Number	Description	Qty	Remarks
1	4BH-81600-00-00	A.C. GENERATOR ASSEMBLY	1	
2	4BH-81634-00-00	. STATOR ASSEMBLY	1	
3	4BH-81643-00-00	.. BEARING	1	
4	4BH-81645-00-00	.. SCREW	4	
5	4BH-81643-10-00	. BEARING	1	
6	4BH-81970-00-00	. RECTIFIER ASSEMBLY	1	
7	36Y-81910-50-00	. VOLTAGE REGULATOR ASSEMBLY	1	
8	3FV-81619-00-00	. BRUSH HOLDER ASSEMBLY	1	
9	4BH-81972-00-00	. COVER, RECTIFIER	1	
10	3FV-81645-00-00	. SCREW	2	
11	98580-05018-00	. SCREW, PAN HEAD (97803-05017)	3	
12	92990-05100-00	. WASHER, SPRING	3	
13	92901-05600-00	. WASHER, PLATE	3	
14	4BH-81604-00-00	. COVER ASSEMBLY	1	
15	95701-05500-00	. NUT, FLANGE	2	
16	36Y-81638-50-00	. OIL SEAL	1	
17	2KT-81642-50-00	. O-RING	1	
18	4BH-81660-00-00	. ROTOR ASSEMBLY	1	
19	95816-08065-00	BOLT, FLANGE	3	

4BH332-3430

PICK UP COIL - GOVERNOR

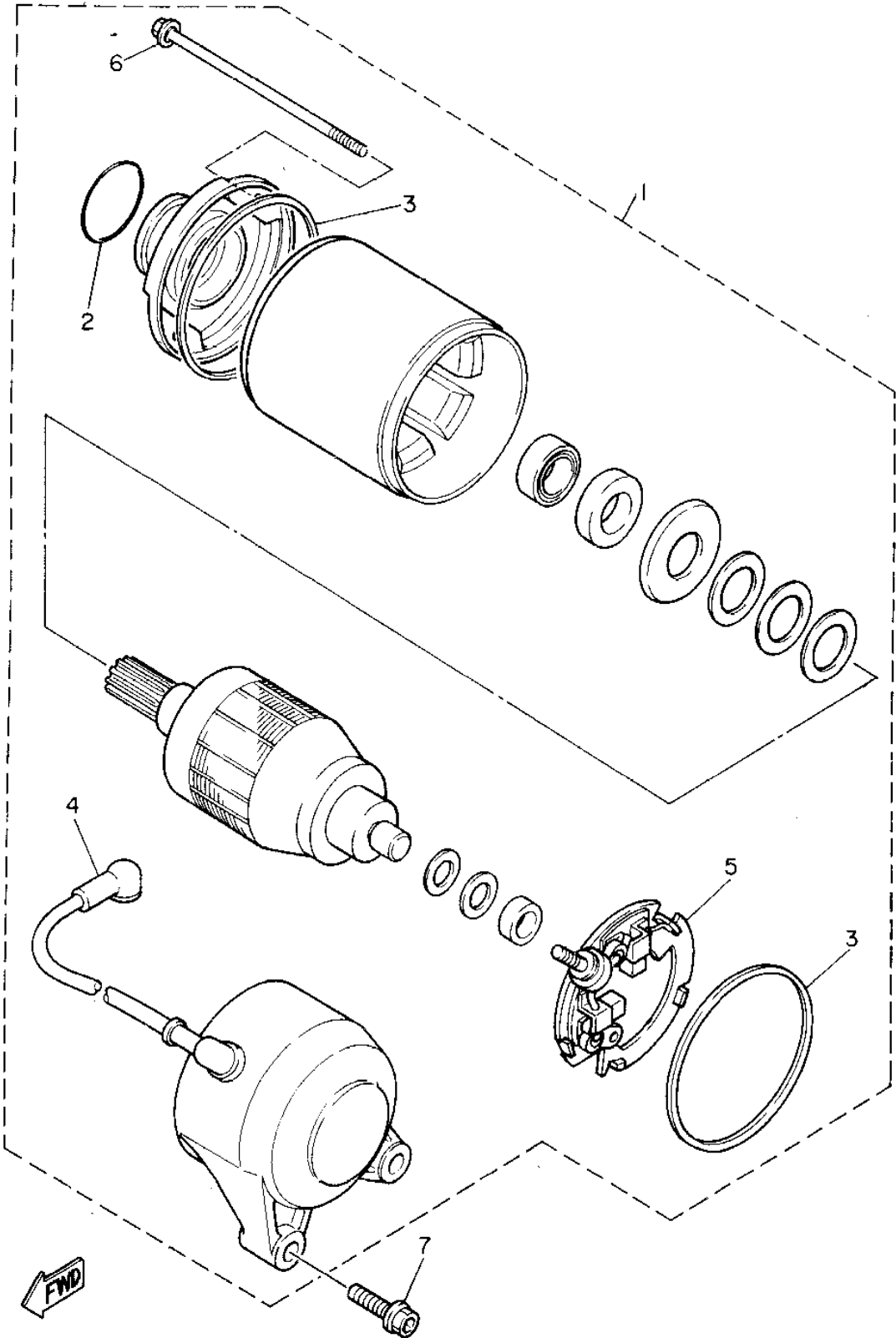


Ref. No.	Part Number	Description	Qty	Remarks
1	3GM-81670-00-00	PICK-UP ASSEMBLY	1	
2	93210-19216-00	O-RING	1	
3	95023-06012-00	BOLT, FLANGE	1	



2GH300-7400

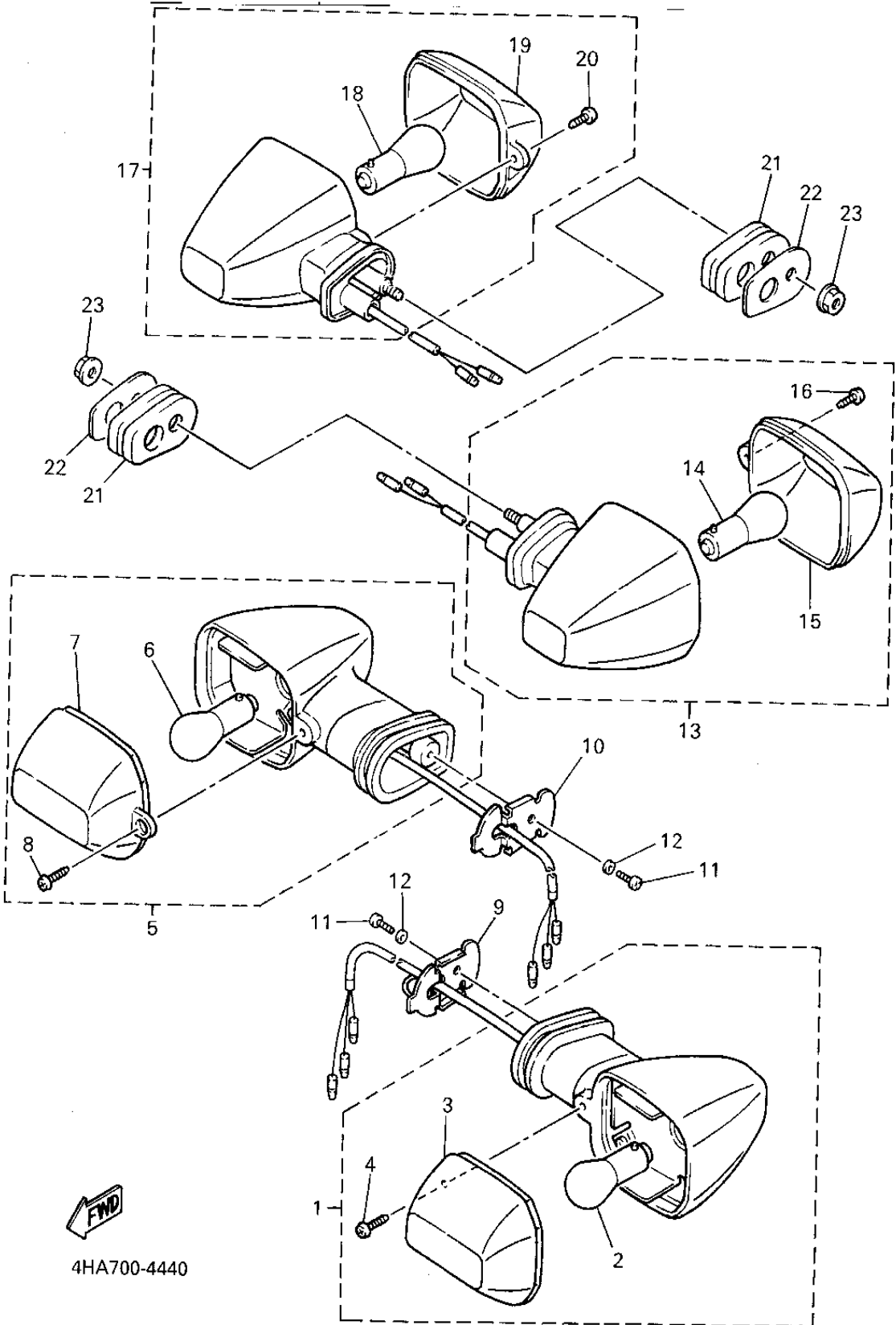
STARTING MOTOR



Ref. No.	Part Number	Description	Qty	Remarks
1	3XF-81800-00-00	STARTING MOTOR ASSEMBLY	1	
2	26H-81847-00-00	. O-RING	1	
3	11H-81844-00-00	. GASKET	2	
4	2KT-81815-00-00	. CORD, STARTER MOTOR	1	
5	3KS-81840-00-00	. BRUSH HOLDER ASSEMBLY	1	
6	3HE-81826-00-00	. BOLT	2	
7	95811-06025-00	BOLT, FLANGE	2	

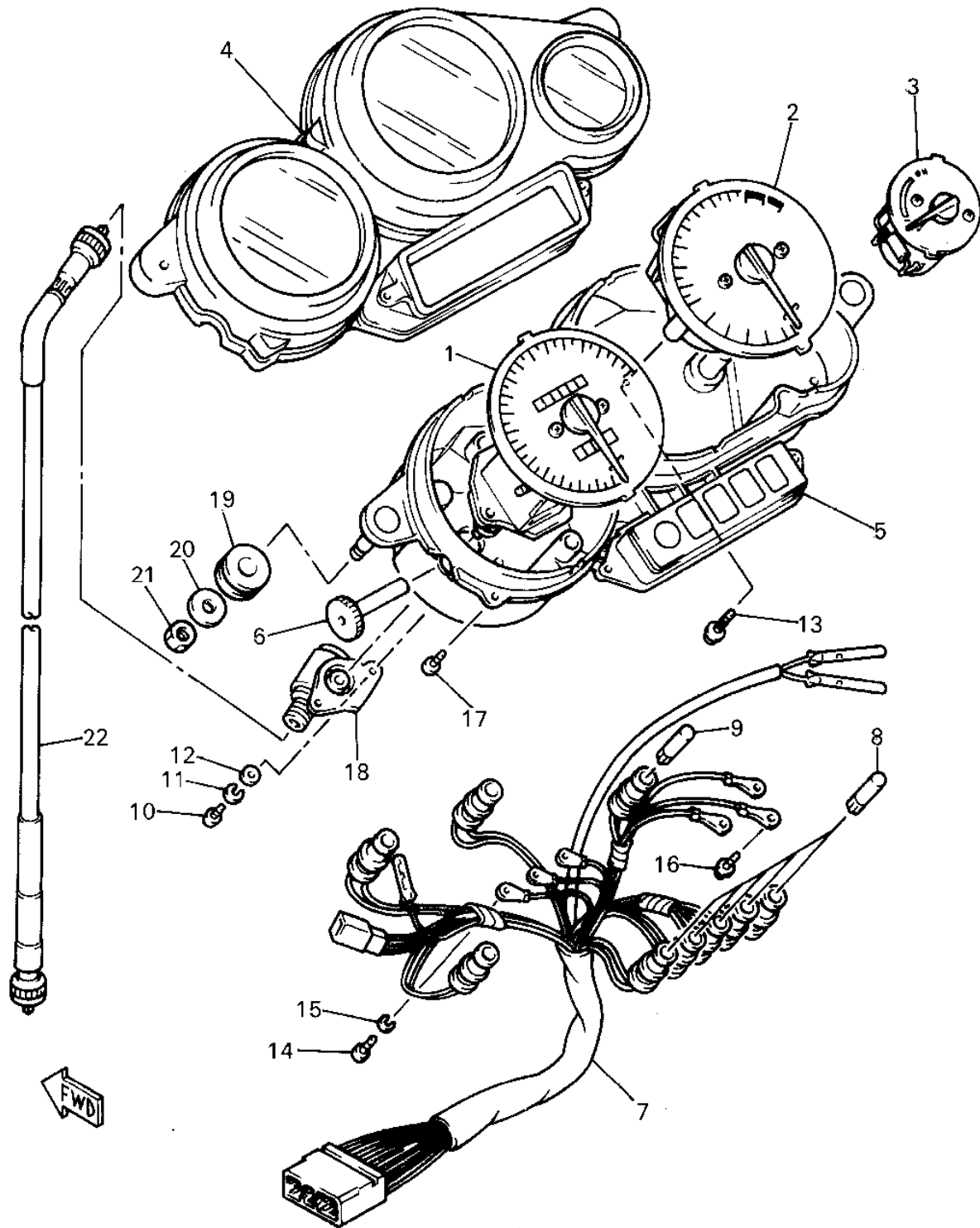
3KS351-9420

FLASHER LIGHT - TURNSIGNAL



Ref. No.	Part Number	Description	Qty	Remarks
1	4JH-83310-10-00	FRONT FLASHER LIGHT ASSEMBLY 1	1	
2	256-84714-61-00	. BULB (12V-27/8W)	1	
3	4JH-83332-10-00	. LENS, FLASHER	1	
4	97702-40610-00	. SCREW, TAPPING	1	
5	4JH-83320-10-00	FRONT FLASHER LIGHT ASSEMBLY 2	1	
6	256-84714-61-00	. BULB (12V-27/8W)	1	
7	4JH-83342-10-00	. LENS, FLASHER 2	1	
8	97702-40610-00	. SCREW, TAPPING	1	
9	4JH-83318-10-00	STAY, FLASHER 1 (4JH-83318-00-00)	1	
10	4JH-83318-00-00	STAY, FLASHER 1	1	
11	98506-04008-00	SCREW, PAN HEAD	2	
12	92906-04600-00	WASHER, PLATE	2	
13	4JH-83330-20-00	REAR FLASHER LIGHT ASSEMBLY 1	1	
14	256-83311-70-XX	. BULB, TS 12V27W	1	
15	4JH-83332-10-00	. LENS, FLASHER	1	
16	97702-40610-00	. SCREW, TAPPING	1	
17	4JH-83340-20-00	FLASHER LIGHT ASSEMBLY 2	1	
18	256-83311-70-XX	. BULB, TS 12V27W	1	
19	4JH-83342-10-00	. LENS, FLASHER 2	1	
20	97702-40610-00	. SCREW, TAPPING	1	
21	4FM-83345-00-00	PLUG, BLIND	2	
22	4FM-83369-00-00	STAY, FLASHER 2	2	
23	95701-06500-00	NUT, FLANGE	2	

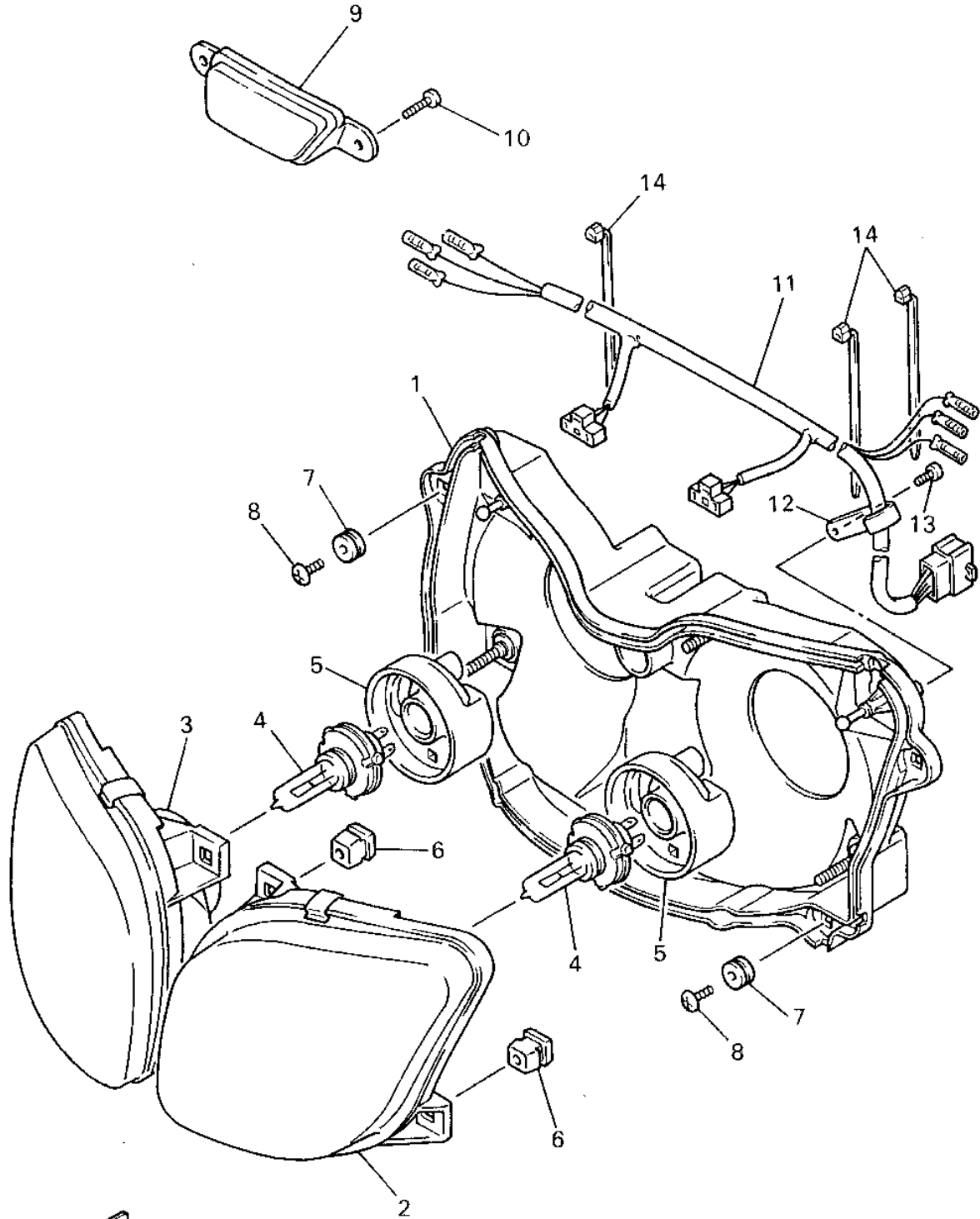
METER



Ref. No.	Part Number	Description	Qty	Remarks
1	4FM-83570-10-00	SPEEDOMETER ASSEMBLY ..	1	
2	4FM-83540-00-00	TACHOMETER ASSEMBLY ...	1	
3	4FM-83590-00-00	WATER TEMPERATURE ASSEMBLY	1	
4	4FM-83559-00-00	COVER, METER	1	
5	4FM-8353H-50-00	CASE, UNDER	1	
6	2GH-83578-00-00	KNOB, TRIP METER	1	
7	4FM-83509-00-00	SOCKET CORD ASSEMBLY ..	1	
8	4G1-84744-00-00	BULB, MTR.12V3.4W	5	
9	2GV-83517-00-00	BULB (12V-1.7W, T6.5)	4	
10	98580-04010-00	SCREW, PAN HEAD	4	
11	92990-04100-00	WASHER, SPRING	4	
12	92901-04600-00	WASHER, PLATE	4	
13	97902-04122-00	SCREW, WITH WASHER	2	
14	98580-03010-00	SCREW, PAN HEAD (98502-03010)	3	
15	92990-03100-00	WASHER, SPRING (92901-03100)	3	
16	90159-03102-00	SCREW, WITH WASHER	3	
17	90164-04023-00	SCREW, TAPPING	5	
18	4FM-83520-00-00	SOCKET CORD ASSEMBLY ..	1	
19	5J0-83513-00-00	DAMPER	2	
20	90201-06059-00	WASHER, PLATE	2	
21	95316-06600-00	NUT	2	
22	4FM-83550-00-00	SPEEDOMETER CABLE ASSEMBLY	1	

4HD300-3440

HEADLIGHT

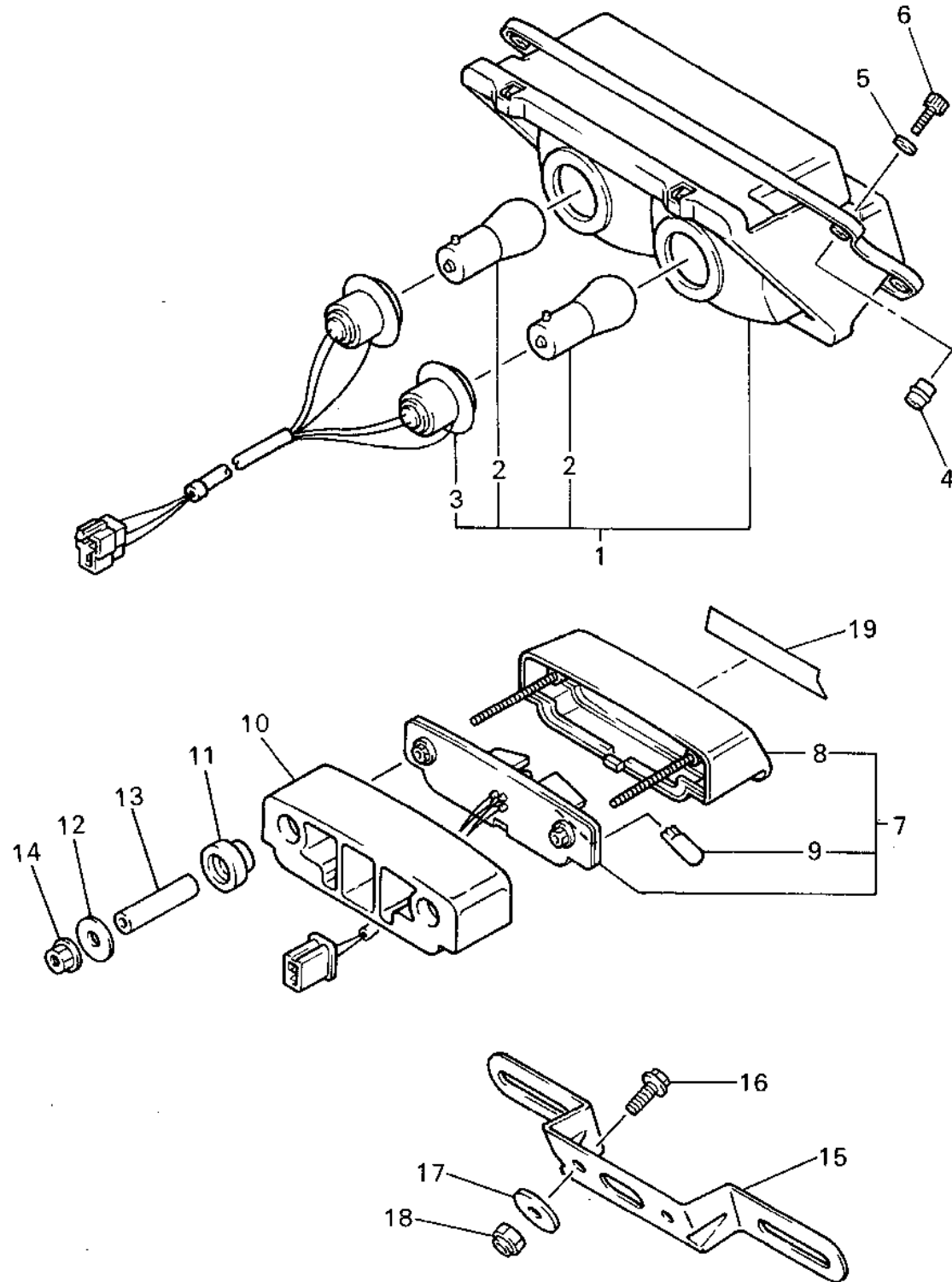


Ref. No.	Part Number	Description	Qty	Remarks
1	4FM-84330-41-00	BODY ASSEMBLY	1	
2	4FM-84320-40-00	LENS ASSEMBLY	1	
3	4FM-8432A-40-00	LENS ASSEMBLY	1	
4	1ML-84314-00-XX	BULB (12V-35/35W) (1FM-84314-H0-00)	2	HALOGEN
5	4JG-84397-00-00	COVER, SOCKET	2	
6	51L-84334-00-00	NUT, ADJUSTING	4	
7	90480-10584-00	GROMMET	4	
8	97706-60014-00	SCREW, TAPPING	4	
9	3LK-84378-00-P3	CAP	1	DEEP VIOLET METALLIC 1
10	90167-05041-00	SCREW, TAPPING	2	
11	4HY-84359-10-00	CORD, HEADLIGHT	1	
12	90462-05061-00	CLAMP	1	
13	90167-05041-00	SCREW, TAPPING	1	
14	90464-13073-00	CLAMP	3	



4HA700-4460

TAILLIGHT

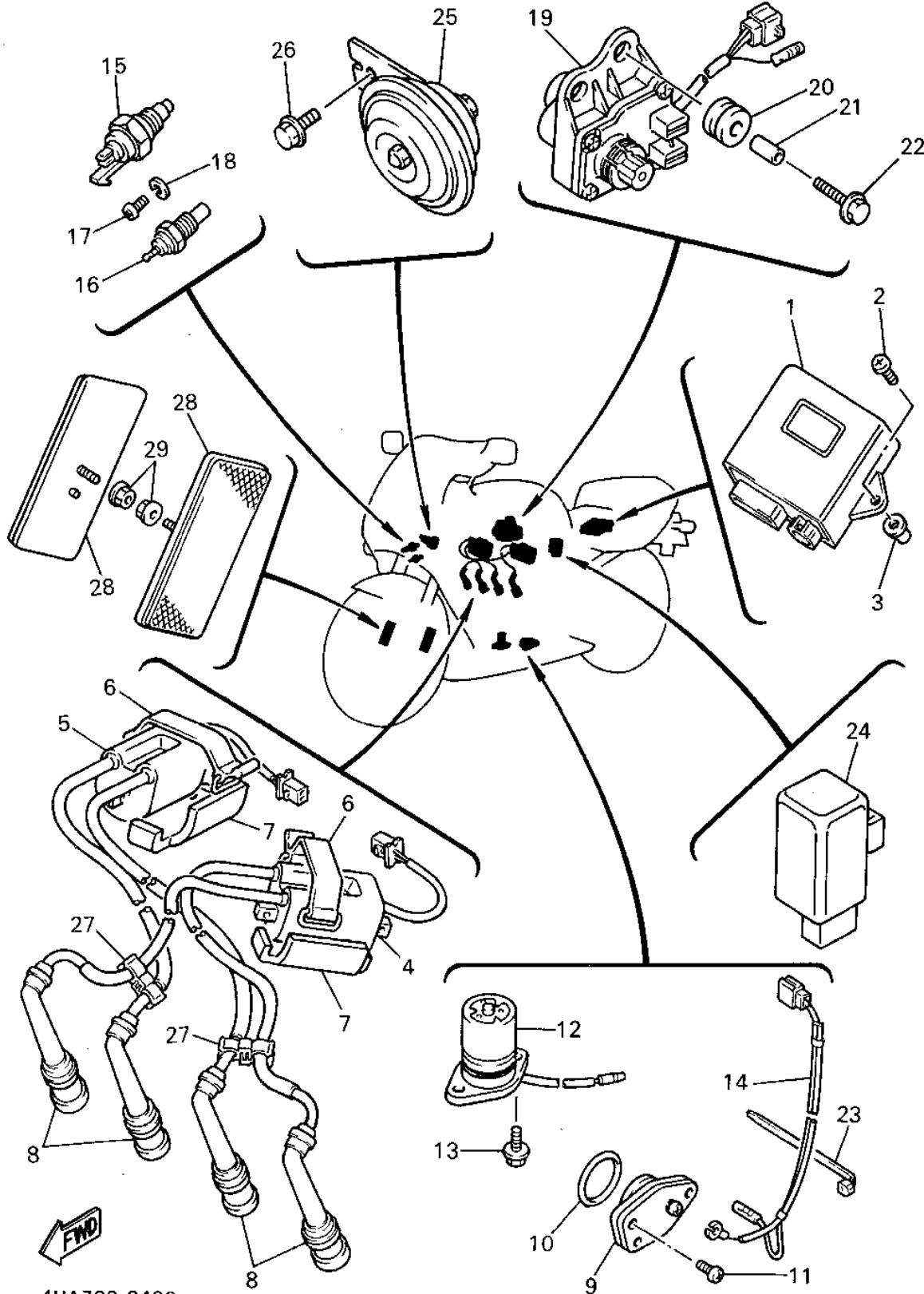


Ref. No.	Part Number	Description	Qty	Remarks
1	4FM-84710-10-00	TAILLIGHT UNIT ASSEMBLY ..	1	
2	31L-84714-00-00	. BULB, TAILLIGHT (12V-21/5W)	2	
3	4FM-84735-00-00	. CORD ASSEMBLY	1	
4	90179-05523-00	NUT	4	
5	92906-05600-00	WASHER, PLATE	4	
6	90110-05112-00	BOLT, HEXAGON SOCKET HEAD	4	
7	4FM-84745-10-00	LICENCE LIGHT UNIT ASSEMBLY	1	
8	4FM-84749-10-00	. BODY, LICENCE LIGHT	1	
9	3F9-84744-00-XX	. BULB, METER 12V3.8W	2	
10	4FM-84742-00-00	SEAT, BASE	1	
11	3F9-84553-00-00	DAMPER	2	
12	90201-05033-00	WASHER, PLATE	2	
13	90387-0601Y-00	COLLAR	2	
14	95706-05500-00	NUT, FLANGE	2	
15	4FM-84751-00-00	BRACKET, LICENSE	1	
16	95026-06016-00	BOLT, FLANGE	2	
17	90201-06059-00	WASHER, PLATE	2	
18	95616-06100-00	NUT, U	2	
19	99236-00080-00	EMBLEM, YAMAHA	1	



4HA700-3480

ELECTRICAL 1

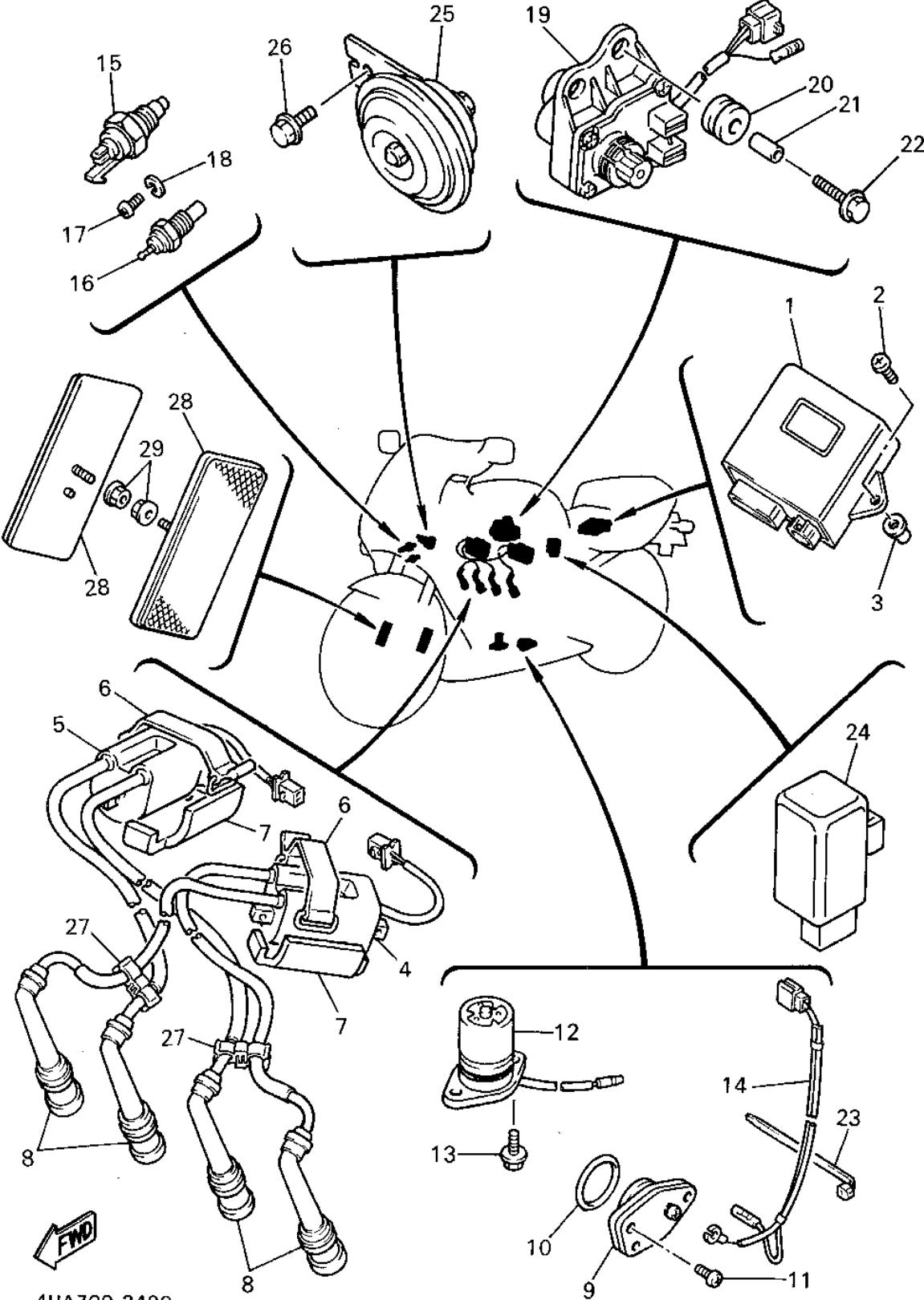


4HA700-3490

Ref. No.	Part Number	Description	Qty	Remarks
1	4LE-82305-00-00	IGNITOR UNIT ASSEMBLY ...	1	
2	97706-60016-00	SCREW, TAPPING	2	
3	90338-08226-00	PLUG	2	
4	2XL-82310-10-00	IGNITION COIL ASSEMBLY ...	1	
5	3CV-82320-00-00	IGNITION COIL ASSEMBLY ...	1	
6	3TJ-82131-00-00	BAND, BATTERY	2	
7	3TJ-2139U-00-00	DAMPER 2	2	
8	2KT-82370-00-00	PLUG CAP ASSEMBLY	4	
9	1AE-82540-00-00	NEUTRAL SWITCH ASSEMBLY	1	
10	93210-29196-00	O-RING	1	
11	98580-06016-00	SCREW, PAN HEAD	2	
12	3GM-85720-00-00	OIL LEVEL GAUGE ASSEMBLY	1	
13	95021-06014-00	BOLT, FLANGE	2	
14	4FM-82541-00-00	WIRE, LEAD	1	
15	2EL-82560-00-00	THERMO SWITCH ASSEMBLY	1	
16	11H-83591-00-00	THERMO UNIT	1	
17	98506-05008-00	SCREW, PAN HEAD	1	
18	92906-05100-00	WASHER, SPRING	1	
19	4FM-85820-00-00	SERVO MOTOR ASSEMBLY ..	1	
20	90480-14412-00	GROMMET	2	
21	90387-065V1-00	COLLAR	2	
22	95811-06030-00	BOLT, FLANGE	2	
23	90464-13073-00	CLAMP	1	
24	3YA-83350-00-00	FLASHER RELAY ASSEMBLY .	1	UR OMRON
	3YA-83350-10-00	FLASHER RELAY ASSEMBLY .	1	UR N.D.
25	4FM-83371-00-00	HORN	1	
26	95811-06010-00	BOLT, FLANGE	1	
27	90464-10186-00	CLAMP	2	
28	11H-85110-01-00	REFLECTOR ASSEMBLY	2	

CONTINUED ON NEXT FRAME ➤

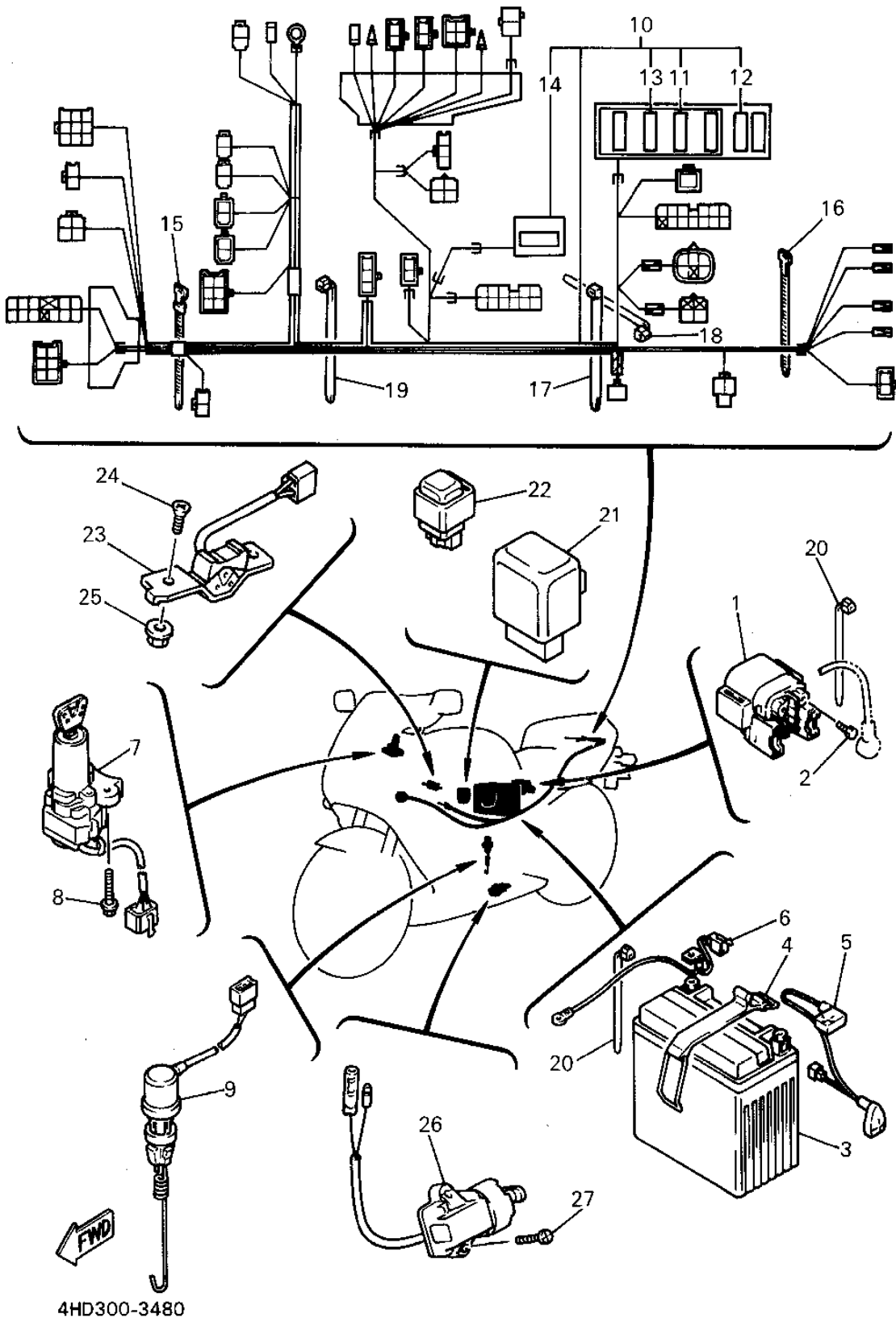
ELECTRICAL 1



Ref. No.	Part Number	Description	Qty	Remarks
29	95701-05500-00	NUT, FLANGE	2	

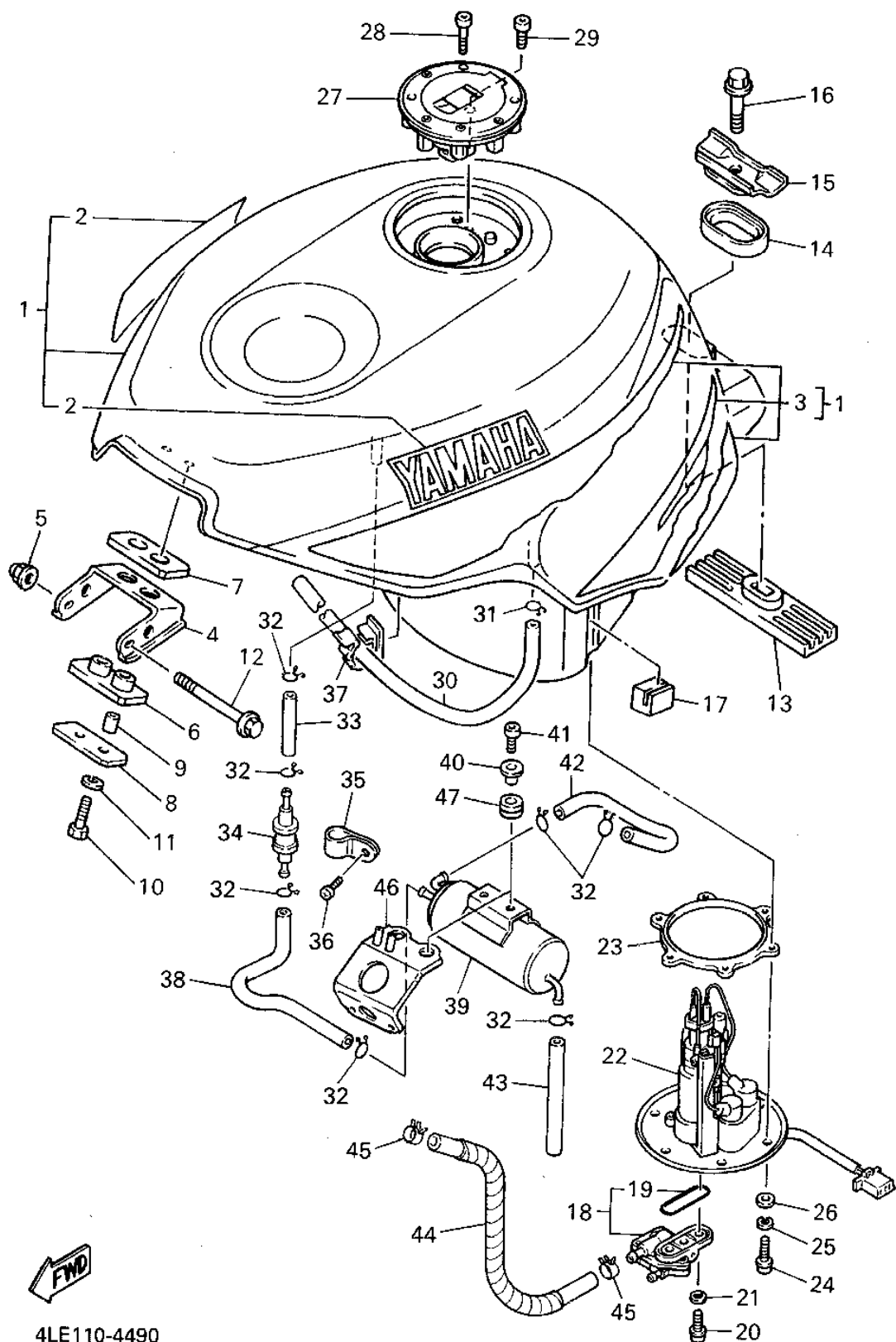
4HA700-3490

ELECTRICAL 2



Ref. No.	Part Number	Description	Qty	Remarks
1	4FM-81940-00-00	STARTER RELAY ASSEMBLY	1	
2	95023-06008-00	BOLT	2	
3	BTY-YTX12-BS-00	BATTERY ASSEMBLY (YTX12-BS)	1	
4	4BP-82131-00-00	BAND, BATTERY	1	
5	4FM-82115-00-00	WIRE, PLUS LEAD	1	
6	3FV-82116-00-00	WIRE, MINUS LEAD	1	
7	4FM-82501-00-00	MAIN SWITCH STEERING LOCK	1	
8	90109-060G4-00	BOLT	2	
9	1KT-82530-02-00	STOP SWITCH ASSEMBLY	1	
10	4HY-82590-10-00	WIRE HARNESS ASSEMBLY	1	
11	2KW-82151-00-00	. FUSE (7.5A-BL)	3	
12	2GH-82151-00-00	. FUSE (20A-BL)	2	
13	36Y-82151-00-00	. FUSE (15A-BL)	1	
14	4FM-82151-00-00	. FUSE (30A)	1	
15	437-83936-01-00	BAND, SWITCH CORD	1	
16	90464-12089-00	CLAMP	6	
17	90464-13080-00	CLAMP	1	
18	90464-13073-00	CLAMP	1	
19	90464-13073-00	CLAMP	8	
20	90464-15195-00	CLAMP	2	
21	3EN-81950-00-00	RELAY ASSEMBLY	1	
22	3GM-81950-00-00	RELAY ASSEMBLY	1	
23	3TJ-83964-00-00	SWITCH	1	
24	98780-05016-00	SCREW, FLAT HEAD	2	
25	95701-05500-00	NUT, FLANGE	2	
26	4FM-82566-00-00	SWITCH, SIDE STAND	1	
27	90157-05079-00	SCREW, PAN HEAD	2	

FUEL TANK (CALIFORNIA ONLY)

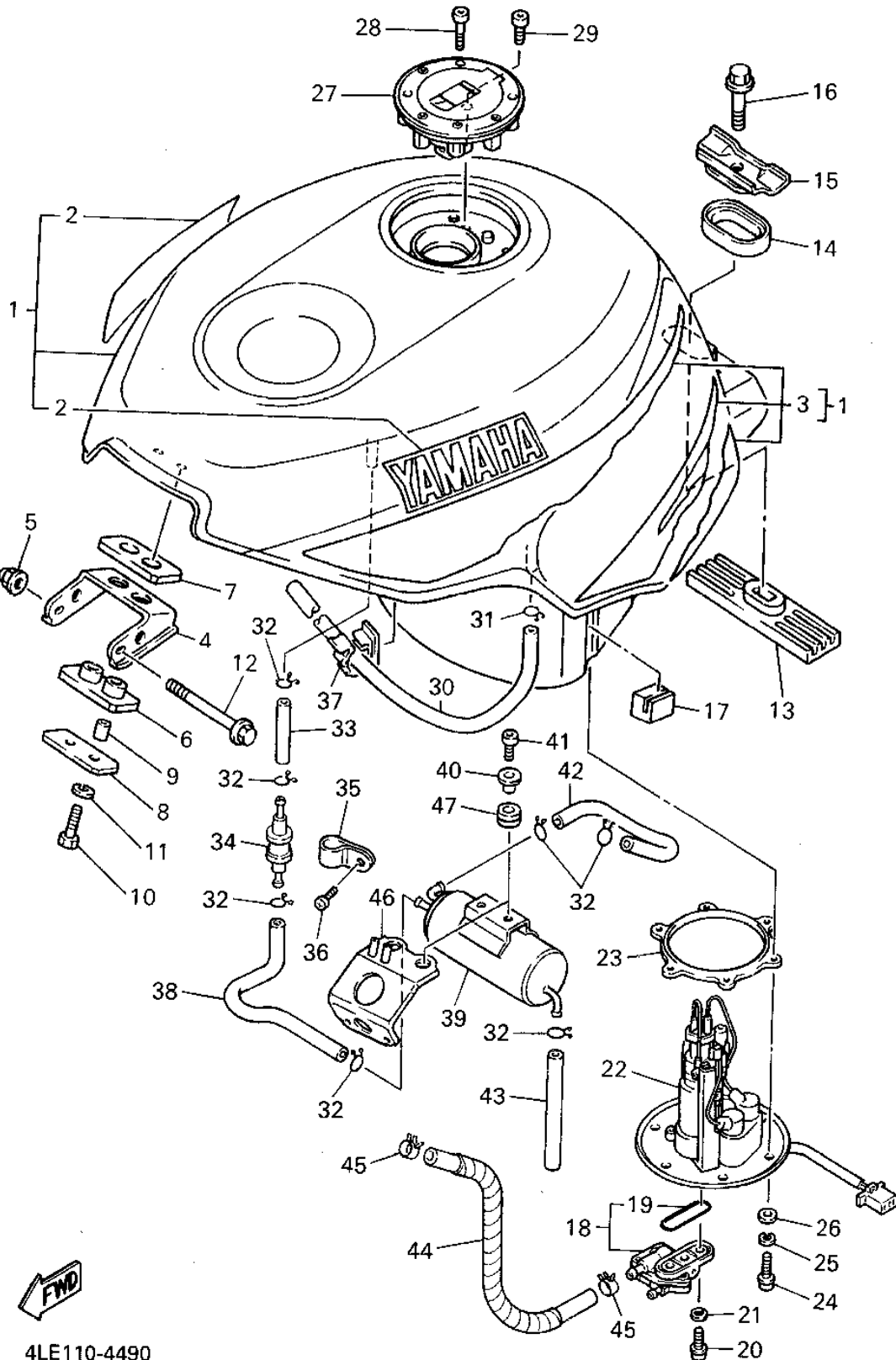


Ref. No.	Part Number	Description	Qty	Remarks
1	4FM-24110-70-01	FUEL TANK COMP.	1	BLUISH WHITE COCKTAIL 1/ DEEP VIOLET METALLIC 1
2	99226-00160-00	. EMBLEM, YAMAHA	2	
3	4FM-24240-01-00	. GRAPHIC SET	1	
4	4FM-24191-00-00	BRACKET, FUEL TANK 1	1	
5	90176-06055-00	NUT, CROWN	1	
6	2GH-24181-00-00	DAMPER, LOCATING 1	1	
7	2GH-24183-00-00	DAMPER, LOCATING 3	1	
8	2GH-24186-00-00	WASHER, SPECIAL	1	
9	90387-06553-00	COLLAR	2	
10	97011-06025-00	BOLT (97001-06025)	2	
11	92995-06100-00	WASHER, SPRING	2	
12	95816-06075-00	BOLT, FLANGE	1	
13	2GH-24184-00-00	DAMPER, LOCATING 4	1	
14	3Y6-24183-00-00	DAMPER, LOCATING 3	1	
15	4FM-24187-00-00	WASHER, SPECIAL	1	
16	95811-08016-00	BOLT, FLANGE	1	
17	4JH-24183-00-00	DAMPER, LOCATING 3	2	
18	3FV-24500-01-00	FUEL COCK ASSEMBLY 1 ...	1	
19	4X8-24512-00-00	. O-RING	1	
20	90149-06008-00	SCREW	2	
21	90202-05187-00	WASHER, PLATE	2	
22	4FM-13910-00-00	FUEL PUMP ASSEMBLY	1	
23	4FM-2414G-00-00	SEAL	1	
24	98580-05016-00	SCREW, PAN HEAD	6	
25	92990-05100-00	WASHER, SPRING	6	
26	92901-05600-00	WASHER, PLATE	6	
27	4HN-24602-00-00	CAP ASSEMBLY	1	

CONTINUED ON NEXT FRAME ►

4LE110-4490

FUEL TANK (CALIFORNIA ONLY)



Ref. No.	Part Number	Description	Qty	Remarks
28	90110-05112-00	BOLT, HEXAGON SOCKET HEAD	3	
29	91311-05010-00	BOLT, SOCKET HEAD	1	
30	90445-102G7-00	HOSE	1	
31	90467-09006-00	CLIP	1	
32	90467-10008-00	CLIP	7	
33	90445-11763-00	HOSE	1	
34	25H-24180-00-00	ROLL OVER VALVE ASSEMBLY	1	
35	90461-15100-00	CLAMP	1	
36	98507-05010-00	SCREW, PAN HEAD	1	
37	90464-25160-00	CLAMP	1	
38	3LK-24311-00-00	PIPE, FUEL 1	1	
39	3LK-24170-00-00	CANISTER ASSEMBLY	1	
40	90387-062L2-00	COLLAR	2	
41	91316-06016-00	BOLT, SOCKET HEAD	2	
42	90445-11701-00	HOSE	1	
43	90445-11587-00	HOSE	1	
44	3FV-14294-02-00	HOSE	1	
45	90467-13123-00	CLIP	2	
46	4LE-14413-00-00	STAY	1	
47	90480-13163-00	GROMMET	2	

4LE110-4490

MODEL	PUBLICATION	PART NUMBER	REMARKS
FZR600RF, RFC	Owner's Manual Service Manual Assembly Manual Consumer Information Warranty Statement*	LIT-11626-09-02 LIT-11616-FZ-00 LIT-11666-07-60 LIT-11656-04-64 LIT-11790-21-87	Same as FZR600RB, RD, RE Same as FZR600RB, RD, RE "Street & Enduro"
XV535F, FC, SF, SFC	Owner's Manual Service Manual Assembly Manual Consumer Information Warranty Statement*	LIT-11626-09-16 LIT-11616-XV-35 LIT-11666-09-16 LIT-11656-04-64 LIT-11790-21-87	"Street & Enduro"
Dual Purpose XT600EF, EFC	Owner's Manual Service Manual Assembly Manual Consumer Information Warranty Statement*	LIT-11626-09-01 LIT-11616-07-43 LIT-11666-07-43 LIT-11656-04-64 LIT-11790-21-87	Same as XT600EA/B/D/E Same as XT600EA/B/D/E "Street & Enduro"
XT350F, FC	Owner's Manual Service Manual Assembly Manual Consumer Information Warranty Statement*	LIT-11626-09-08 LIT-11616-04-73 LIT-11666-04-73 LIT-11656-04-64 LIT-11790-21-87	Same as XT350N~E Same as XT350N~E "Street & Enduro"
XT225F, FC "Serow"	Owner's Manual Service Manual Assembly Manual Consumer Information Warranty Statement*	LIT-11626-09-04 LIT-11616-07-99 LIT-11666-07-99 LIT-11656-04-64 LIT-11790-21-87	Same as XT225D, E Same as XT225D, E "Street & Enduro"
TW200F, FC	Owner's Manual Service Manual Assembly Manual Consumer Information Warranty Statement*	LIT-11626-09-18 LIT-11616-06-26 LIT-11666-05-93 LIT-11656-04-64 LIT-11790-21-87	Same as TW200T~E Same as TW200T~E "Street & Enduro"
Motocross/ Competition Off-Road WR250ZF	Owner's Service Manual Assembly Manual Warranty Statement*	LIT-11626-09-15 LIT-11666-09-15 LIT-11790-40-91	"YZ-WR Motorcycle"
YZ250F1	Owner's Service Manual Assembly Manual Warranty Statement*	LIT-11626-09-10 LIT-11666-08-63 LIT-11790-40-91	Same as YZ250E1 "YZ-WR Motorcycle"
YZ125F1	Owner's Service Manual Assembly Manual Warranty Statement*	LIT-11626-09-14 LIT-11666-08-63 LIT-11790-40-91	Same as YZ125E1 "YZ-WR Motorcycle"
YZ80F1	Owner's Service Manual Assembly Manual Warranty Statement*	LIT-11626-08-88 LIT-11666-08-88 LIT-11790-40-91	"YZ-WR Motorcycle"

1994 MODELS ENGINE/FRAME NUMBERS

For identification purposes, the factory has released the following list of engine (Primary I.D.) and frame numbers. Production started with the numbers listed below.

MODEL	ACTUAL DISPLACEMENT (CC)	STARTING PRIMARY ID NUMBER	STARTING VIN/FRAME NUMBER
Street			
VMX12FC*	1198	2WF-009101	JYA2WFC0()RA009101
VMX12F	1198	2WE-039101	JYA2WEE0()RA039101
XV1100FC*	1063	1TA-020101	JYA1TAC0()RA020101
XV1100F	1063	1TE-054101	JYA1TEE0()RA054101
FZR1000FC*	1003	3LK-029101	JYA3LKC0()RA029101
FZR1000F	1003	3LK-026101	JYA3LKE0()RA026101
GTS1000AFC*	1003	4HH-004101	JYA4HHC0()RA004101
GTS1000AF	1003	4HH-003101	JYA4HHE0()RA003101
XV750FC*	749	3CM-014101	JYA3CMC0()RA014101
XV750F	749	3AL-034101	JYA3ALE0()RA034101
YZF750RFC*	749	4LE-000101	JYA4LEC0()RA000101
YZF750F	749	4LE-001101	JYA4LEE0()RA001101
XJ600SFC*	599	4DU-043101	JYA4DUC0()RA043101
XJ600SF	599	4DU-032101	JYA4DUE0()RA032101
FZR600RFC*	599	3UU-013101	JYA3UUC0()RA013101
FZR600RF	599	3HH-067101	JYA3HHE0()RA067101
XV535SFC*	535	3JC-033101	JYA3JCC0()RA033101
XV535SF	535	3JC-028101	JYA3JCE0()RA028101
XV535FC*	535	3JC-025101	JYA3JCC0()RA025101
XV535F	535	3JC-021101	JYA3JCE0()RA021101
Dual Purpose			
XT600EFC*	595	3UY-022101	JYA3UYC0()RA022101
XT600EF	595	3UY-020101	JYA3UYE0()RA020101
XT350FC*	346	3NV-029101	JYA3NVC0()RA029101
XT350F	346	3NV-026101	JYA3NVE0()RA026101
XT225FC*	223	4BE-027101	JYA4BEC0()RA027101
XT225F	223	4BE-024101	JYA4BEE0()RA024101
TW200FC*	196	3AW-056101	JYA3AWC0()RA056101
TW200F	196	3AW-049101	JYA3AWE0()RA049101
Motocross/Off-Road Competition			
YZ250F1	249	4JX-009101	JYA4JXW0()RA009101
WR250ZF	249	4JW-000101	JYA4JWW0()RA000101
YZ125F1	124	4JY-009101	JYA4JYW0()RA009101
YZ80F1	82.9	4ES-012101	JYA4ESW0()RA012101

*California Models

MODEL	ACTUAL DISPLACEMENT (CC)	STARTING PRIMARY ID NUMBER	STARTING VIN/FRAME NUMBER
Off-Road			
RT100F	97	3UL-050101	JYA3ULW0()RA050101
PW80F	79	3RV-032101	JYA3RVW0()RA032101
PW50F	49	3PT-099101	JYA3PTW0()RA099101
Road Racer			
TZ250F1	249	4DP-004101	JYA4DPW0()RA004101

NOTE: "()" in the VIN/frame number designates a check digit. This number plays an important role in registering the unit, and will change with each individual unit. It is the product of a special government computing procedure designed to help reduce the number of vehicle theft losses.

1994 MODELS SERVICE LITERATURE

This bulletin contains a comprehensive listing of service literature available for 1993 models. Certain models will not have new literature if the prior year's information is still current. Those

literature part numbers will still be listed, but "Same as. . ." will appear in the Remarks column.

MODEL	PUBLICATION	PART NUMBER	REMARKS
Street VMX12F, FC "V-MAX"	Owner's Manual Service Manual Assembly Manual Consumer Information Warranty Statement*	LIT-11626-09-09 LIT-11616-VM-12 LIT-11666-08-08 LIT-11656-04-64 LIT-11790-21-87	Same as VMX12E "Street & Enduro"
XV1100F, FC "Virago 1100"	Owner's Manual Service Manual Assembly Manual Consumer Information Warranty Statement*	LIT-11626-09-05 LIT-11616-XV-11 LIT-11666-04-99 LIT-11656-04-64 LIT-11790-21-87	Same as XV700~1100 (L-E) Same as XV1100S-E "Street & Enduro"
GTS1000AF, AFC	Owner's Manual Service Manual Assembly Manual Consumer Information Warranty Statement*	LIT-11626-09-19 LIT-11616-09-19 LIT-11666-08-78 LIT-11656-04-64 LIT-11790-22-93	Suppl. to LIT-11616-08-78 Same as GTS1000AE "GTS1000"
FZR1000F, FC	Owner's Manual Service Manual Assembly Manual Consumer Information Warranty Statement*	LIT-11626-09-21 LIT-11616-FZ-02 LIT-11666-09-21 LIT-11656-04-64 LIT-11790-21-87	"Street & Enduro"
YZF750RF, RFC	Owner's Manual Service Manual Assembly Manual Consumer Information Warranty Statement*	LIT-11626-09-20 LIT-11616-09-20 LIT-11666-09-20 LIT-11656-04-64 LIT-11790-21-87	"Street & Enduro"
XV750F, FC "Virago 750"	Owner's Manual Service Manual Assembly Manual Consumer Information Warranty Statement*	LIT-11626-08-98 LIT-11616-XV-11 LIT-11666-04-99 LIT-11656-04-64 LIT-11790-21-87	Same as XV700~1100 (L-E) Same as XV700/750 (U-E) "Street & Enduro"
XJ600SF, SFC "Seca II"	Owner's Manual Service Manual Assembly Manual Consumer Information Warranty Statement*	LIT-11626-08-87 LIT-11616-XJ-62 LIT-11666-08-87 LIT-11656-04-64 LIT-11790-21-87	"Street & Enduro" "Street & Enduro"

MODEL	PUBLICATION	PART NUMBER	REMARKS
Off-Road RT100F	Owner's Manual	LIT-11626-08-93	Same as RT100A, D, E Same as RT100A, D, E "Off-Road Motorcycle"
	Service Manual	LIT-11616-07-35	
	Assembly Manual	LIT-11666-07-35	
	Warranty Statement*	LIT-11790-30-91	
PW80F	Owner's Service Manual	LIT-11626-08-90	Same as PW50/80B, D, E "Off-Road Motorcycle"
	Assembly Manual	LIT-11666-07-72	
	Warranty Statement*	LIT-11790-30-91	
PW50F	Owner's Service Manual	LIT-11626-08-89	Same as PW50/80B, D, E "Off-Road Motorcycle"
	Assembly Manual	LIT-11666-07-72	
	Warranty Statement*	LIT-11790-30-91	

OTHER MOTORCYCLE PUBLICATIONS	PART NUMBER
California Emissions-Related Warranty Statement	LIT-11790-01-88
Warranty Handbook **	LIT-11760-10-91
Parts Policies and Procedures Manual	LIT-10080-05-00
Assembly & Preparation Checklist	LIT-11161-00-90
Service Schedule Pad	LIT-11561-00-80
EGA Manual	LIT-11661-00-90
Heavy Duty Service Binder	LIT-10501-01-80
Small Binder for Service Data	LIT-11571-DB-00
DOES PLUS User's Manual	LIT-11760-50-86
Y.E.S. Dealer Policies & Procedures Manual **	LIT-11580-01-01
Riding Tips Booklet-Street Motorcycle	LIT-11626-07-31
Riding Tips Booklet-Off-Road Motorcycle	LIT-11626-07-32

*The Limited Warranty Statement is also printed in each Owner's Manual.

**Contact Service Communications, (714) 761-7462, for the latest updates to these manuals.

ROUTE TO: SERVICE PARTS WARRANTY SALES PAGE 3 OF 3