



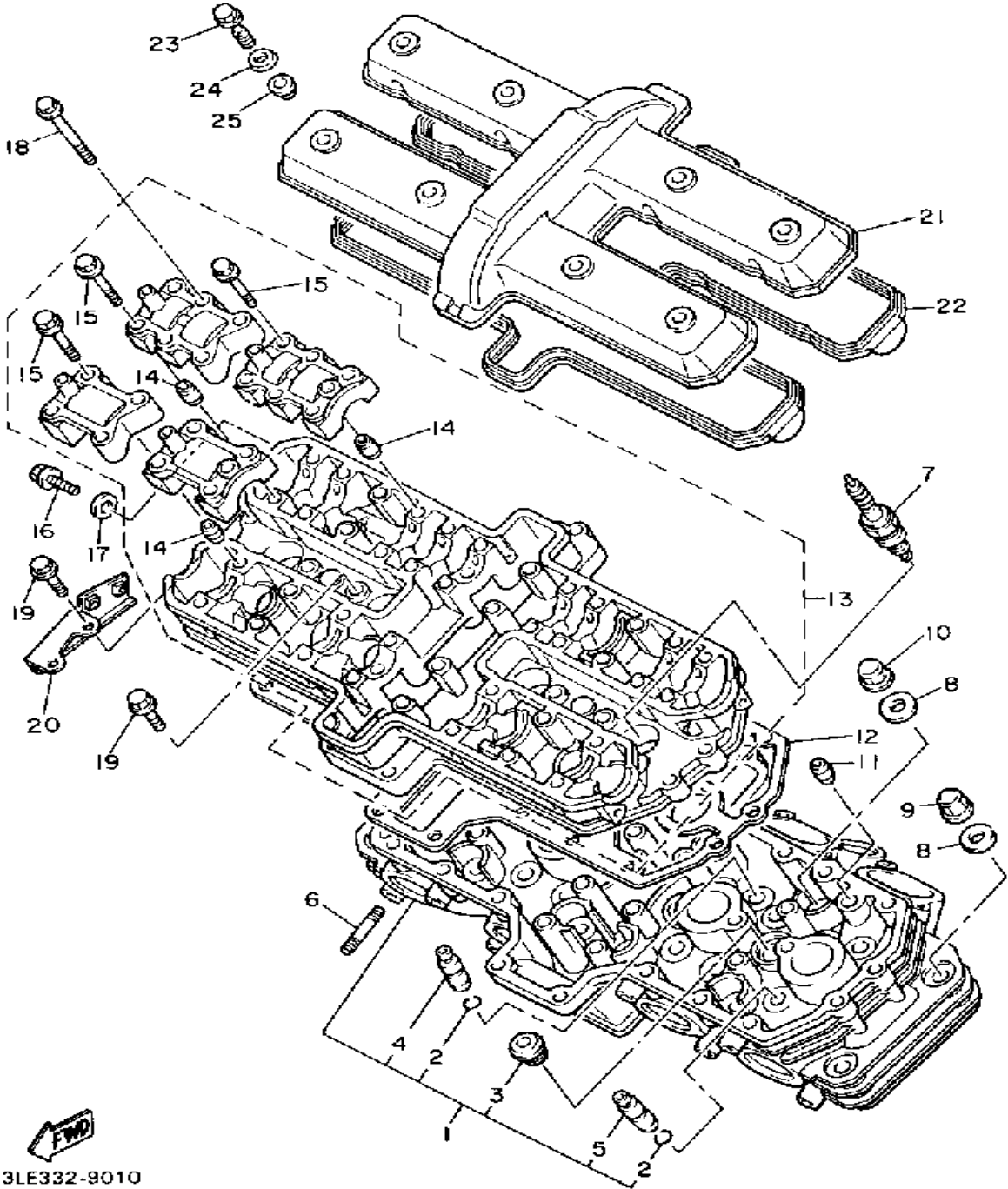
YAMAHA

GENUINE

PARTS CATALOGUE

MOTORCYCLE

CYLINDER HEAD

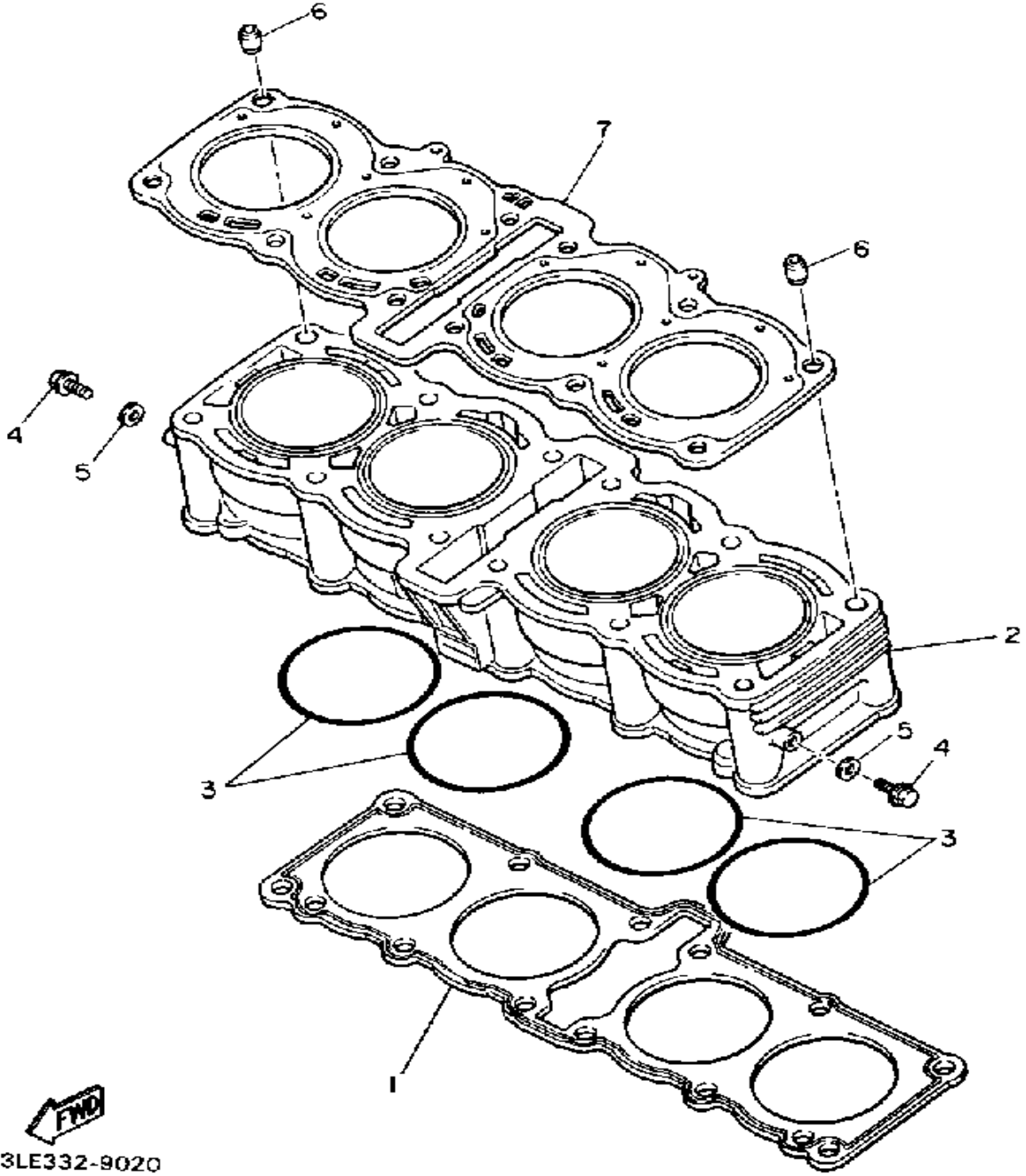


Ref. No.	Part Number	Description	Qty	Remarks
1	3GM-11102-00-00	CYLINDER HEAD ASSEMBLY	1	
2	93440-10153-00	. CIRCLIP	20	
3	90340-18101-00	. PLUG, STRAIGHT SCREW	4	
4	3GM-11133-10-00	. GUIDE, INTAKE VALVE	12	
5	3GM-11134-10-00	. GUIDE, EXHAUST VALVE	8	
6	95612-08325-00	BOLT, STUD (95601-08325)	8	
7	NGK-DP8EA-90-00	PLUG, SPARK (NGK DP8EA-9)	4	
8	90201-103M4-00	WASHER, PLATE	12	
9	90176-10049-00	NUT, CROWN	4	
10	90179-10584-00	NUT	8	
11	99530-10014-00	PIN, DOWEL	2	
12	3GM-11182-00-00	GASKET, CYLINDER HEAD 2	1	
13	3GM-1115A-00-00	CAM CASE ASSEMBLY	1	
14	99510-08016-00	. PIN, DOWEL	16	
15	90105-06153-00	. BOLT, WASHER BASED	16	
16	95023-06012-00	BOLT, FLANGE	1	
17	90430-06014-00	GASKET	1	
18	90105-06541-00	BOLT, WASHER BASED	24	
19	95023-06025-00	BOLT, FLANGE	11	
20	3GM-1135A-00-00	BRACKET	1	
21	3GM-11191-00-00	COVER, CYLINDER HEAD 1	1	
22	3GM-11193-00-00	GASKET, HEAD COVER 1	1	
23	90109-064F0-00	BOLT	8	
24	90209-11262-00	WASHER	8	
25	2GH-1111G-00-00	RUBBER, MOUNT 1	8	

FWD
3LE332-9010

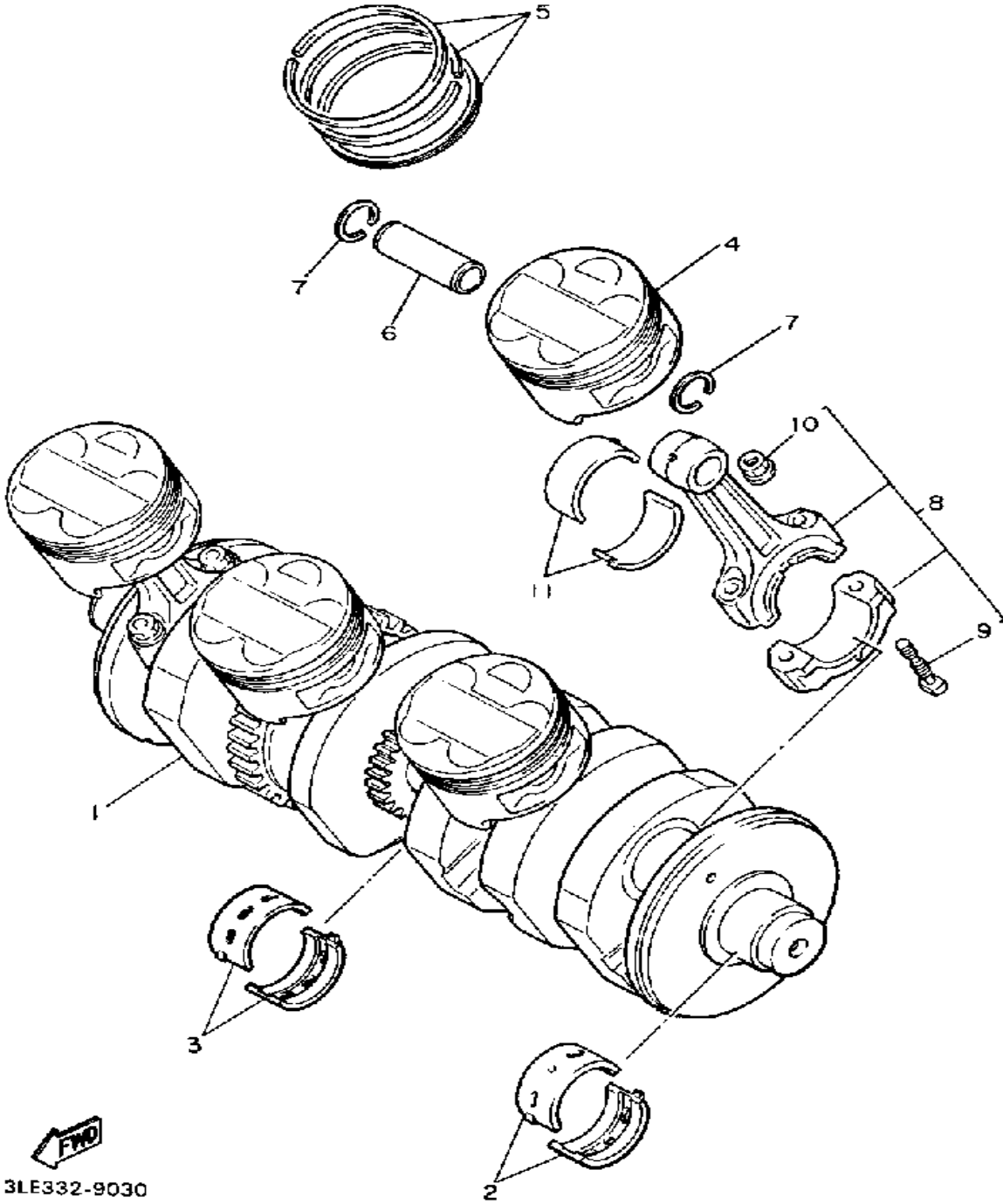
CYLINDER

Ref. No.	Part Number	Description	Qty	Remarks
1	3GM-11351-00-00	GASKET, CYLINDER	1	
2	3GM-11310-00-00	CYLINDER	1	
3	93210-77363-00	O-RING	4	
4	95023-06012-00	BOLT, FLANGE	2	
5	90430-06014-00	GASKET	2	
6	99510-12016-00	PIN, DOWEL	2	
7	3GM-11181-00-00	GASKET, CYLINDER HEAD 1	1	



 3LE332-9020

CRANKSHAFT-PISTON

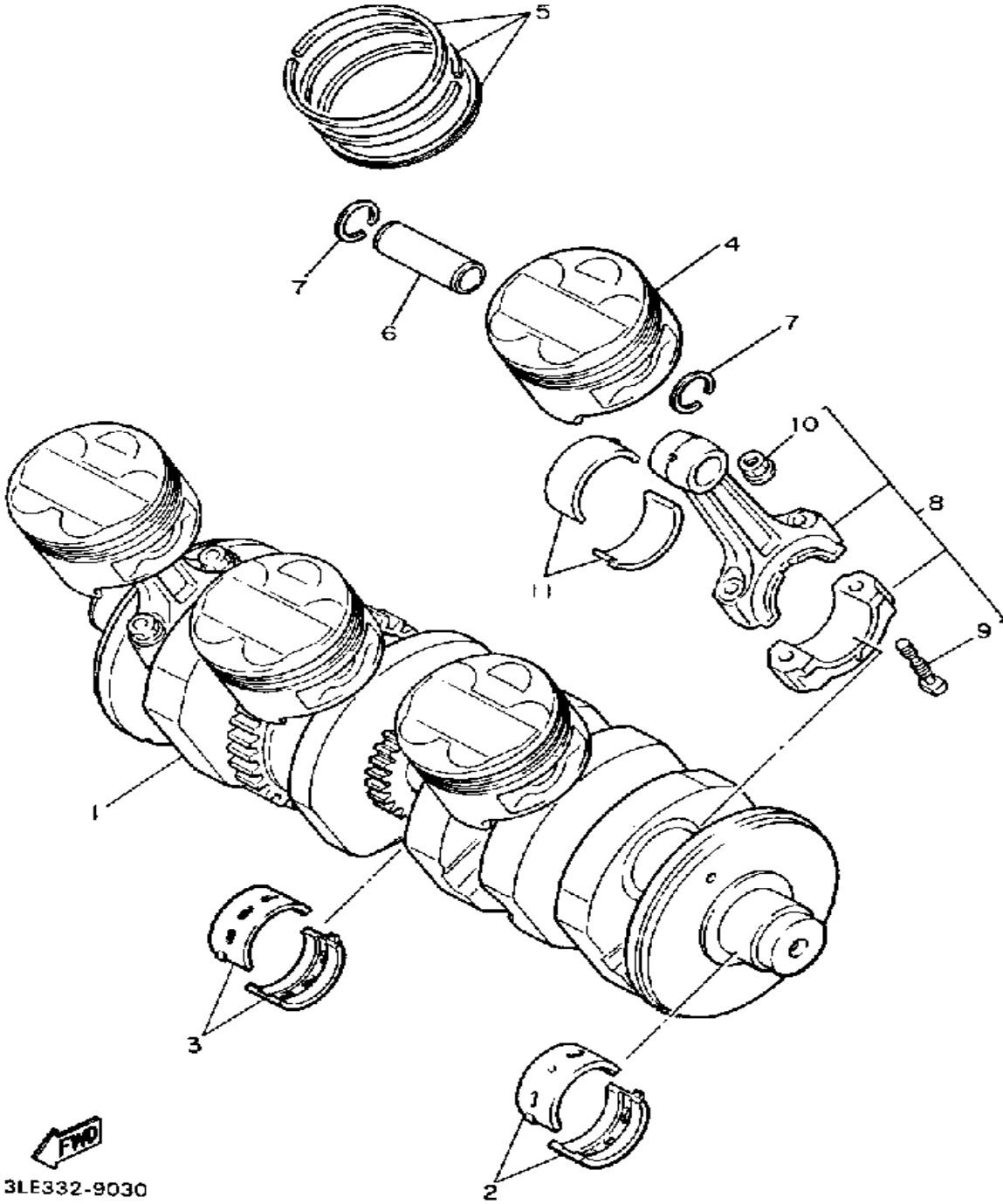


 3LE332-9030

Ref. No.	Part Number	Description	Qty	Remarks
1	3GM-11411-01-00	CRANKSHAFT	1	
2	2GH-11416-00-00	PLANE BEARING, CRANKSHAFT 1	8	UR BLUE
	2GH-11416-10-00	PLANE BEARING, CRANKSHAFT 1	8	UR BLACK
	2GH-11416-20-00	PLANE BEARING, CRANKSHAFT 1	8	UR BROWN
	2GH-11416-30-00	PLANE BEARING, CRANKSHAFT 1	8	UR GREEN
	2GH-11416-40-00	PLANE BEARING, CRANKSHAFT 1	8	UR YEL.
3	3GM-11416-00-00	PLANE BEARING, CRANKSHAFT 1	2	
	3GM-11416-10-00	PLANE BEARING, CRANKSHAFT 1	2	
	3GM-11416-20-00	PLANE BEARING, CRANKSHAFT 1	2	
	3GM-11416-30-00	PLANE BEARING, CRANKSHAFT 1	2	
	3GM-11416-40-00	PLANE BEARING, CRANKSHAFT 1	2	
4	3GM-11631-00-00	PISTON (STD)	4	
	3GM-11636-00-00	PISTON (0.50MM O/S)	4	AP
5	3GM-11610-00-00	PISTON RING SET (STD)	4	
	3GM-11610-20-00	PISTON RING SET (0.50MM O/S)	4	AP
6	3GM-11633-00-00	PIN, PISTON	4	
7	93450-19095-00	CIRCLIP	8	
8	3GM-11650-01-00	CONNECTING ROD ASSEMBLY	4	
9	12R-11654-00-00	. BOLT, CONNECTING ROD ..	2	
10	90179-08327-00	. NUT	2	
11	3GM-11656-00-00	PLANE BEARING, CONNECTING ROD	8	UR BLUE

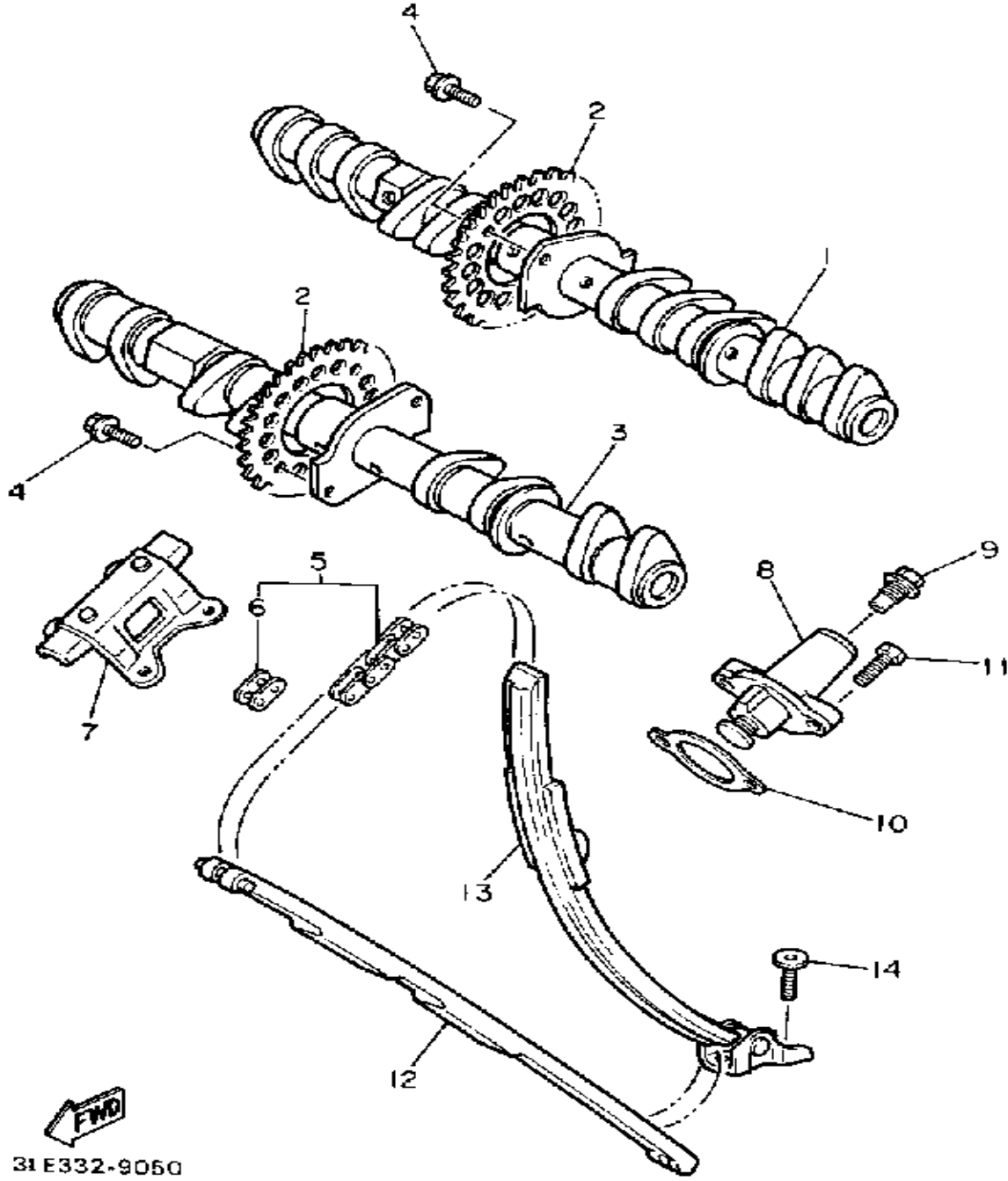
CONTINUED ON NEXT FRAME ►

CRANKSHAFT-PISTON



Ref. No.	Part Number	Description	Qty	Remarks
11	3GM-11656-10-00	PLANE BEARING, CONNECTING ROD	8	UR BLACK
	3GM-11656-20-00	PLANE BEARING, CONNECTING ROD	8	UR BROWN
	3GM-11656-30-00	PLANE BEARING, CONNECTING ROD	8	UR GREEN

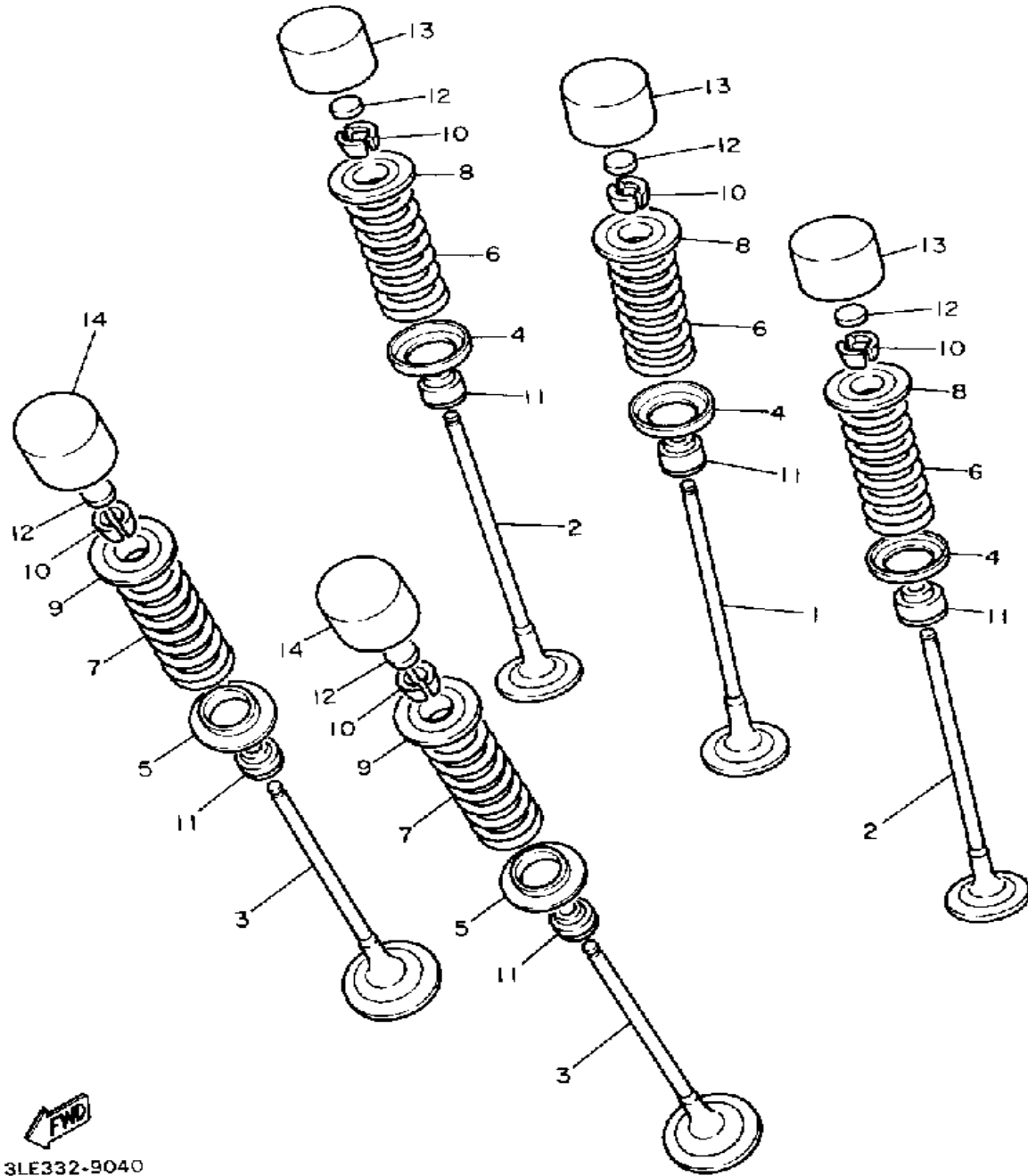
CAMSHAFT-CHAIN



Ref. No.	Part Number	Description	Qty	Remarks
1	3GM-12171-00-00	CAMSHAFT 1	1	
2	3GM-12176-00-00	SPROCKET, CAM CHAIN	2	
3	3GM-12181-00-00	CAMSHAFT 2	1	
4	90105-07342-00	BOLT, WASHER BASED	4	
5	94581-01108-00	CHAIN (DID219FS-108L)	1	
6	94681-01021-00	. JOINT, CHAIN	1	
7	2GH-12241-00-00	GUIDE, STOPPER 2	1	
8	3GM-12210-00-00	TENSIONER ASSEMBLY, CAM CHAIN (1WG-12210-02-00)	1	
9	90109-112F1-00	BOLT	1	
10	4BE-12213-00-00	GASKET, TENSIONER CASE ..	1	
11	95023-06025-00	BOLT, FLANGE	2	
12	3GM-12251-00-00	DAMPER, CHAIN 1	1	
13	3GM-12252-00-00	DAMPER, CHAIN 2	1	
14	90109-065A8-00	BOLT	2	

31 E332-9050

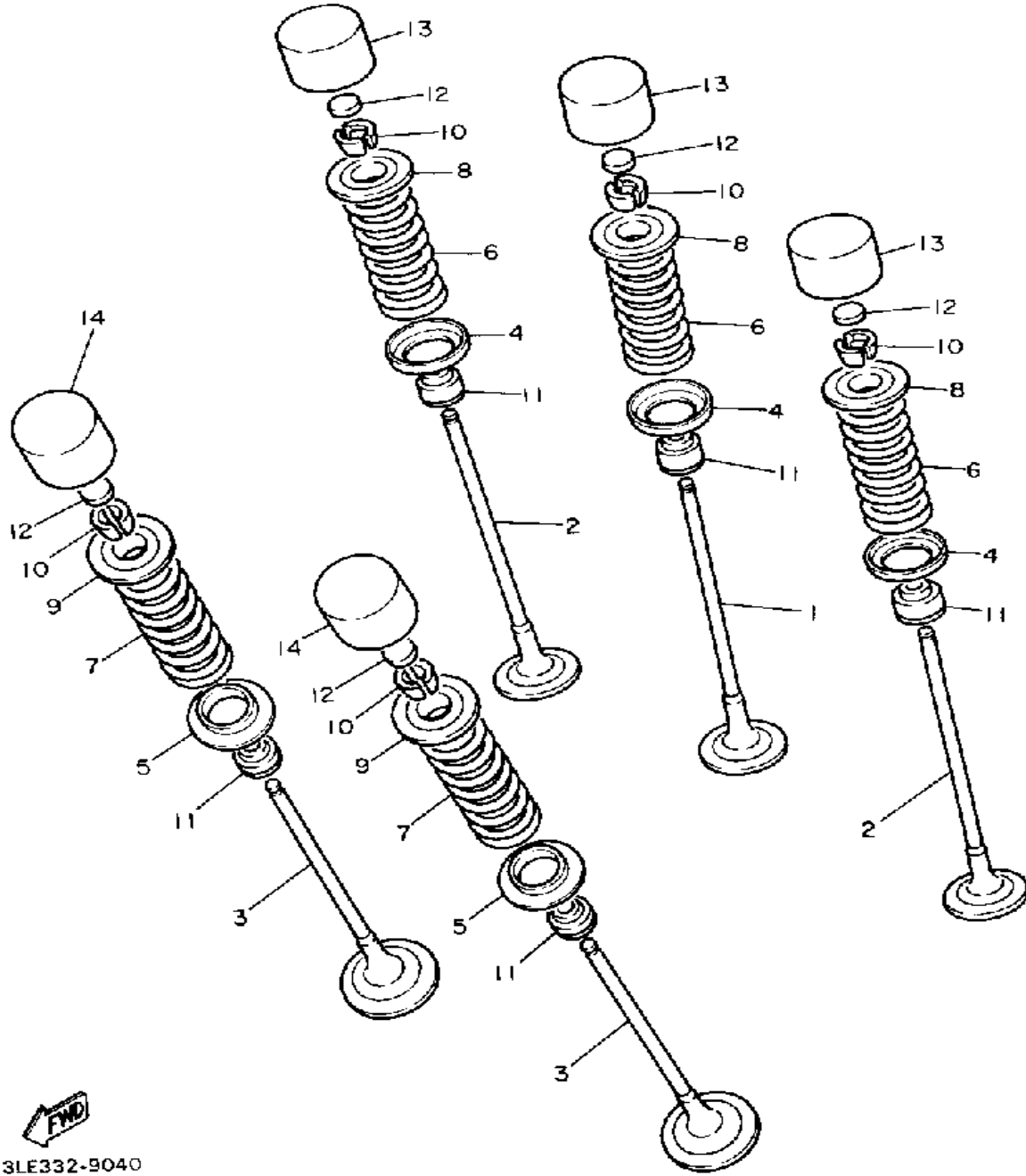
VALVE



Ref. No.	Part Number	Description	Qty	Remarks
1	3GM-12111-00-00	VALVE, INTAKE	4	
2	3GM-12112-00-00	VALVE, INTAKE 2	8	
3	3GM-12121-00-00	VALVE, EXHAUST	8	
4	3GM-12116-00-00	SEAT, VALVE SPRING	12	
5	3GM-12126-00-00	SEAT, VALVE SPRING 2	8	
6	3GM-12113-00-00	SPRING, VALVE INNER	12	
7	3GM-12114-00-00	SPRING, VALVE OUTER	8	
8	3GM-12117-00-00	RETAINER, VALVE SPRING ..	12	
9	1WG-12117-00-00	RETAINER, VALVE SPRING ..	8	
10	1WG-12118-00-00	COTTER, VALVE	40	
11	1WG-12119-00-00	SEAL, VALVE STEM	20	
12	1HX-12168-00-00	PAD, ADJUSTING 2 (1.20)	20	UR
	1HX-12168-20-00	PAD, ADJUSTING 2 (1.25)	20	UR
	1HX-12168-40-00	PAD, ADJUSTING 2 (1.30)	20	UR
	1HX-12168-60-00	PAD, ADJUSTING 2 (1.35)	20	UR
	1HX-12168-80-00	PAD, ADJUSTING 2 (1.40)	20	UR
	1HX-12168-A0-00	PAD, ADJUSTING 2 (1.45)	20	UR
	1HX-12168-F0-00	PAD, ADJUSTING 2 (1.50)	20	UR
	1HX-12168-H1-00	PAD, ADJUSTING 2 (1.55)	20	UR
	1HX-12168-K1-00	PAD, ADJUSTING 2 (1.60)	20	UR
	1HX-12168-M1-00	PAD, ADJUSTING 2 (1.65)	20	UR
	1HX-12168-R1-00	PAD, ADJUSTING 2 (1.70)	20	UR
	1HX-12168-U1-00	PAD, ADJUSTING 2 (1.75)	20	UR
	1HX-12168-W1-00	PAD, ADJUSTING 2 (1.80)	20	UR
	1HX-12168-Y1-00	PAD, ADJUSTING 2 (1.85)	20	UR
	1HX-12169-11-00	PAD, ADJUSTING 2 (1.90)	20	UR
	1HX-12169-31-00	PAD, ADJUSTING 2 (1.95)	20	UR
	1HX-12169-50-00	PAD, ADJUSTING 2 (2.00)	20	UR
	1HX-12169-70-00	PAD, ADJUSTING 2 (2.05)	20	UR

CONTINUED ON NEXT FRAME ►

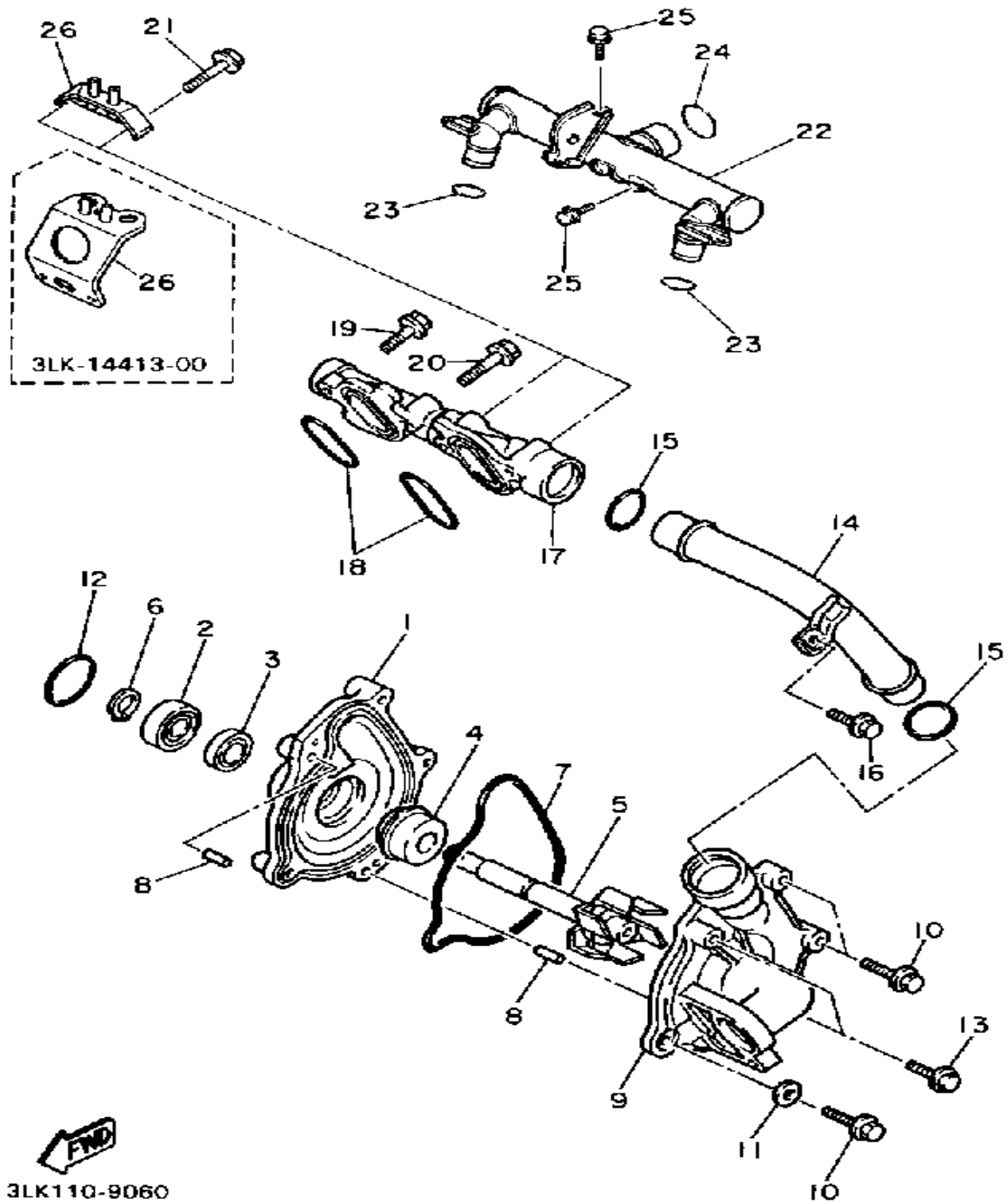
VALVE



Ref. No.	Part Number	Description	Qty	Remarks
12	1HX-12169-E0-00	PAD, ADJUSTING 2 (2.15)	20	UR
	1HX-12169-G0-00	PAD, ADJUSTING 2 (2.20)	20	UR
	1HX-12169-J0-00	PAD, ADJUSTING 2 (2.25)	20	UR
	1HX-12169-L0-00	PAD, ADJUSTING 2 (2.30)	20	UR
	1HX-12169-N0-00	PAD, ADJUSTING 2 (2.35)	20	UR
	1HX-12169-T0-00	PAD, ADJUSTING 2 (2.40)	20	UR
13	2NK-12153-02-00	LIFTER, VALVE	12	UR BLACK
	2NK-12153-09-00	LIFTER, VALVE (O/S)	12	UR GREEN
14	1WG-12153-09-00	LIFTER, VALVE (O/S)	8	UR GREEN
	1WG-12153-21-00	LIFTER, VALVE	8	UR BLUE

FWD
3LE332-9040

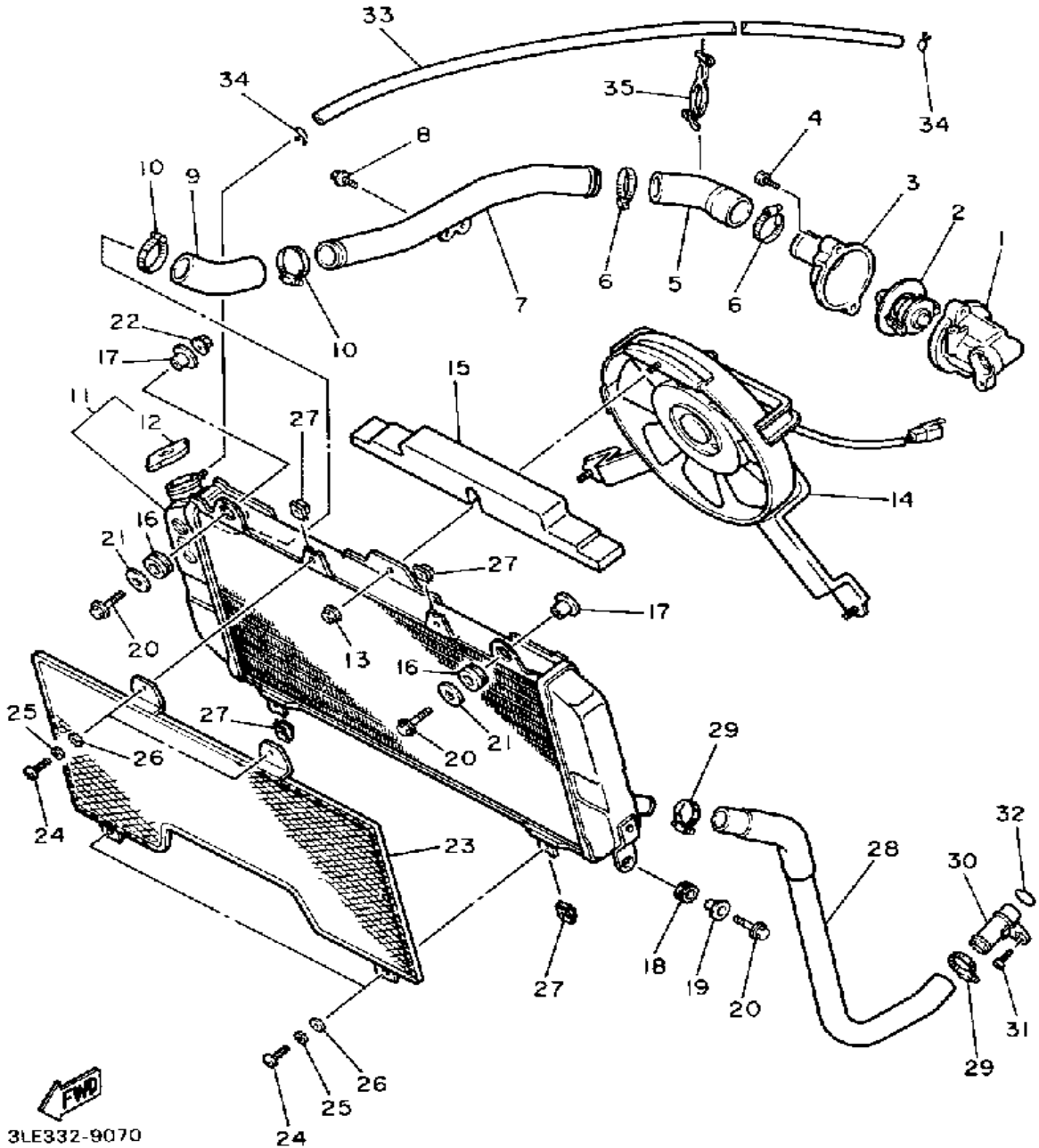
WATER PUMP



Ref. No.	Part Number	Description	Qty	Remarks
1	1UF-12421-09-00	HOUSING, WATER PUMP	1	
2	93306-00106-00	BEARING	1	
3	93101-12060-00	OIL SEAL	1	
4	11H-12438-00-00	SEAL, MECHANICAL	1	
5	1UF-12450-00-00	IMPELLER SHAFT ASSEMBLY	1	
6	99009-12400-00	CIRCLIP	1	
7	1AE-12439-00-00	O-RING	1	
8	93604-10011-00	PIN, DOWEL	2	
9	3GM-12422-00-00	COVER, HOUSING	1	
10	95023-06025-00	BOLT, FLANGE	3	
11	90430-06014-00	GASKET	1	
12	93210-33133-00	O-RING	1	
13	95021-06050-00	BOLT, FLANGE	2	
14	3GM-12481-00-00	PIPE 1	1	
15	93210-23787-00	O-RING	2	
16	95023-06012-00	BOLT, FLANGE	1	
17	3DX-12469-00-00	JOINT 1	1	
18	93210-30694-00	O-RING	2	
19	95023-06020-00	BOLT, FLANGE	1	
20	95023-06030-00	BOLT, FLANGE (95021-06030)	1	
21	95023-06040-00	BOLT, FLANGE (1YW)	2	
22	3GM-12482-00-00	PIPE 2	1	
23	93210-18417-00	O-RING	2	
24	93210-23787-00	O-RING	1	
25	95023-06010-00	BOLT, FLANGE	2	
26	2GH-14413-00-00	STAY	1	UR
	3LK-14413-00-00	STAY	1	

3LK110-9060

RADIATOR-HOSE

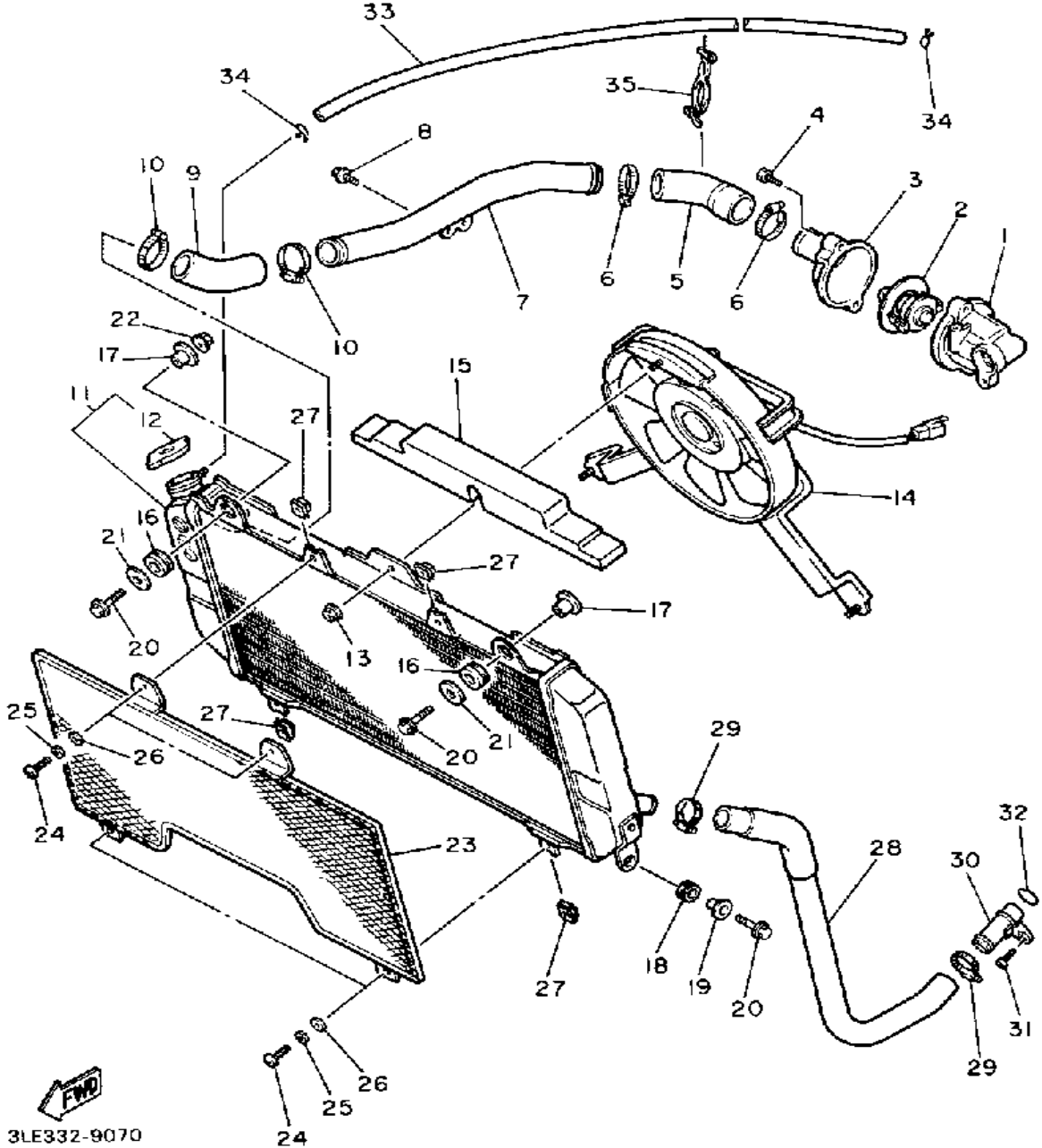


3LE332-9070

Ref. No.	Part Number	Description	Qty	Remarks
1	3GM-12417-00-00	HOUSING, THERMOSTAT	1	
2	3GM-12410-00-00	THERMOSTAT ASSEMBLY	1	
3	3GM-12413-00-00	COVER, THERMOSTAT	1	
4	95023-06025-00	BOLT, FLANGE	2	
5	3GM-12576-00-00	HOSE 1	1	
6	90450-38040-00	HOSE CLAMP ASSEMBLY	2	
7	3GM-12483-00-00	PIPE 3	1	
8	95023-06008-00	BOLT	2	
9	3GM-12577-00-00	HOSE 2	1	
10	90450-38040-00	HOSE CLAMP ASSEMBLY	2	
11	3GM-12461-00-00	RADIATOR ASSEMBLY	1	
12	22W-12462-00-00	. CAP, RADIATOR	1	
13	95706-06500-00	NUT, FLANGE	3	
14	3GM-12405-00-00	BLOWER ASSEMBLY	1	
15	3GM-12682-00-00	HEAT PROTECTOR 1	1	
16	90480-18276-00	GROMMET	2	
17	90387-07037-00	COLLAR	2	
18	90480-10297-00	GROMMET	2	
19	90387-06033-00	COLLAR	2	
20	95826-06020-00	BOLT, flange (95806-06020-00)	4	
21	90201-06697-00	WASHER, PLATE	2	
22	95706-06500-00	NUT, FLANGE	1	
23	3GM-12467-00-00	COVER, RADIATOR	1	
24	98516-05012-00	SCREW, PAN HEAD 4CG	4	
25	92906-05100-00	WASHER, SPRING	4	
26	92906-05600-00	WASHER, PLATE	4	
27	90183-05024-00	NUT, SPRING	4	
28	3GM-12579-00-00	HOSE, 4	1	
29	90450-38040-00	HOSE CLAMP ASSEMBLY	2	

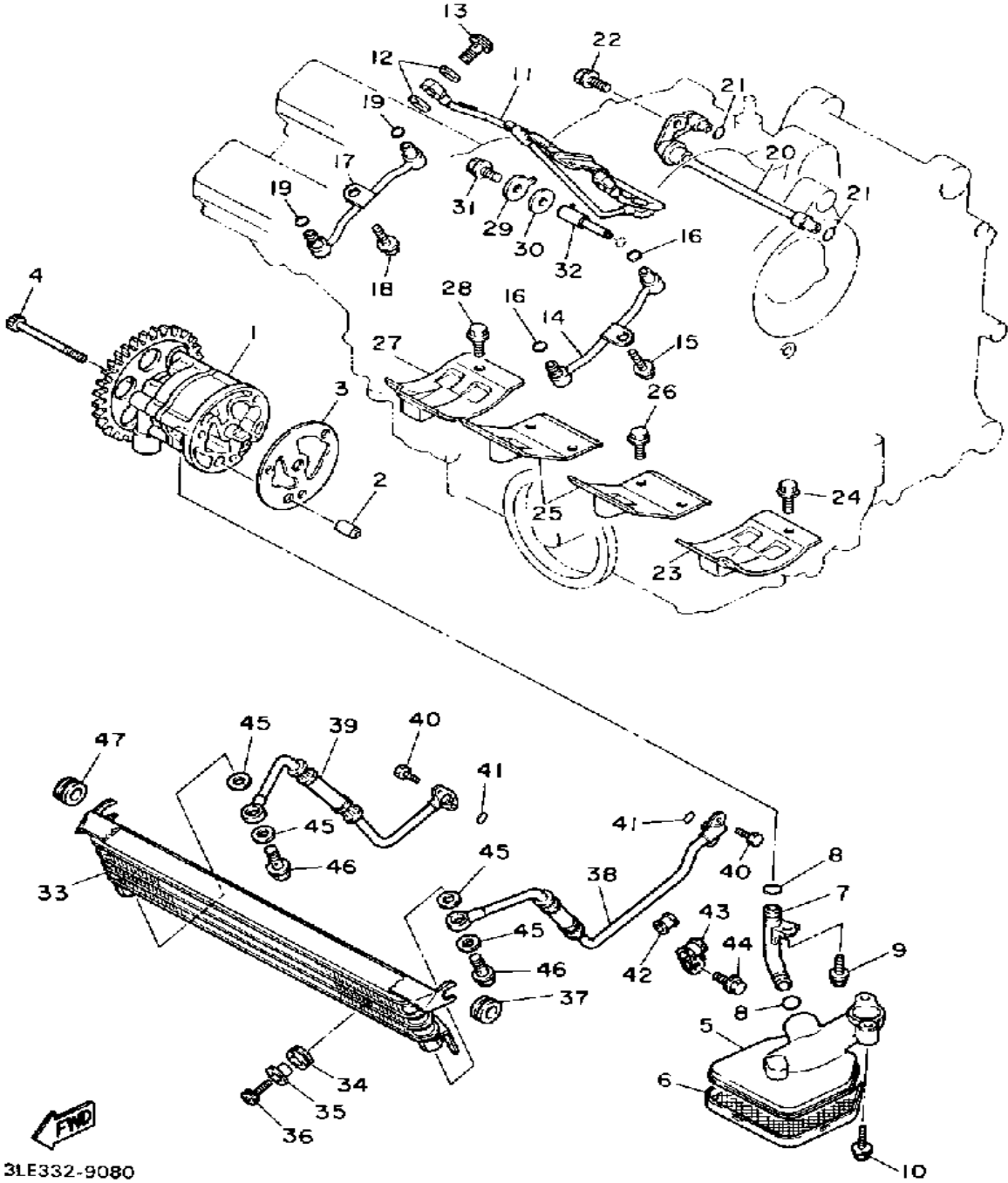
CONTINUED ON NEXT FRAME ➤

RADIATOR-HOSE



Ref. No.	Part Number	Description	Qty	Remarks
30	2GH-12484-00-00	PIPE 4	1	
31	90110-06142-00	BOLT, HEXAGON SOCKET HEAD	1	
32	93210-23787-00	O-RING	1	
33	90445-096E8-00	HOSE	1	
34	90467-08003-00	CLIP	2	
35	90464-35047-00	CLAMP	1	

OIL PUMP

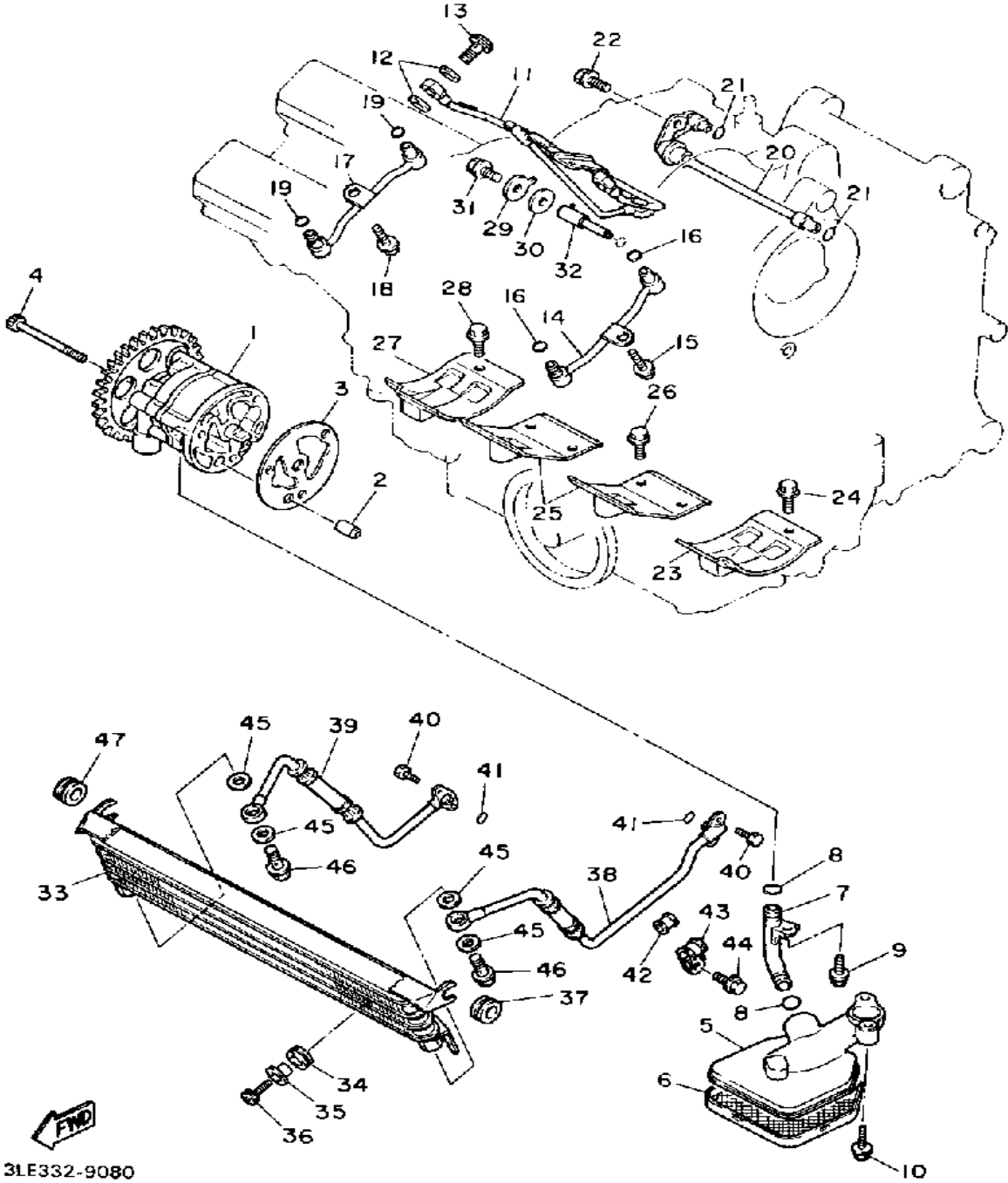


31E332-9080

Ref. No.	Part Number	Description	Qty	Remarks
1	2GH-13300-01-00	OIL PUMP ASSEMBLY	1	
2	99510-08012-00	PIN, DOWEL	1	
3	2GH-13329-00-00	GASKET, PUMP COVER	1	
4	91316-06080-00	BOLT	1	
5	3GM-13412-00-00	HOUSING, STRAINER	1	
6	3GM-13411-00-00	STRAINER, OIL	1	
7	2GH-13431-00-00	PIPE, OIL DRAIN 1	1	
8	93210-11765-00	O-RING (2GH)	2	
9	95026-06010-00	BOLT, FLANGE	1	
10	95026-06030-00	BOLT, FLANGE	2	
11	3GM-13171-00-00	PIPE, DELIVERY 2	1	
12	90430-10171-00	GASKET	6	
13	90401-10139-00	BOLT, UNION	3	
14	3GM-13181-00-00	PIPE, DELIVERY 3	1	
15	95026-06012-00	BOLT, FLANGE	1	
16	93210-06632-00	O-RING	2	
17	3GM-13191-00-00	PIPE, DELIVERY 4	1	
18	95026-06012-00	BOLT, FLANGE	1	
19	93210-06632-00	O-RING	2	
20	2GH-1316E-00-00	PIPE, DELEVERY 5	1	
21	93210-07135-00	O-RING	2	
22	95026-06012-00	BOLT, FLANGE	1	
23	2GH-15123-00-00	PLATE, BUFFLE 1	1	
24	95026-06012-00	BOLT, FLANGE	2	
25	1AE-15124-00-00	PLATE, BUFFLE 2	2	
26	95026-06012-00	BOLT, FLANGE	6	
27	2GH-15133-00-00	PLATE, BUFFLE 3	1	
28	95026-06012-00	BOLT, FLANGE	2	

CONTINUED ON NEXT FRAME ►

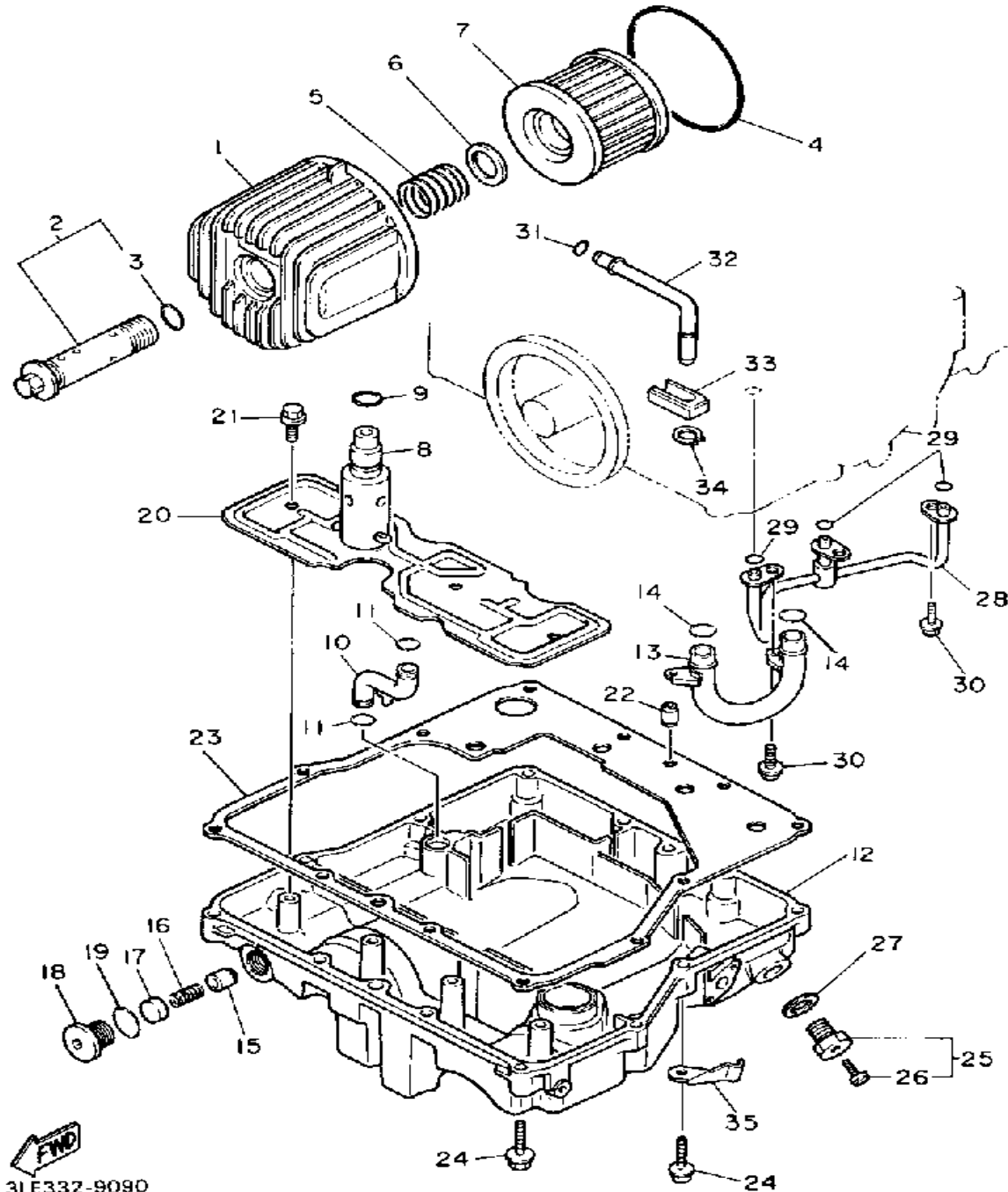
OIL PUMP



31E332-9080

Ref. No.	Part Number	Description	Qty	Remarks
29	90201-061M7-00	WASHER, PLATE	1	
30	90430-06210-00	GASKET	1	
31	95811-06016-00	BOLT, FLANGE (95822-06016)	1	
32	3GM-13454-00-00	NOZZLE	1	
33	3GM-13470-00-00	OIL COOLER ASSEMBLY	1	
34	90480-12475-00	GROMMET	2	
35	90387-067K8-00	COLLAR	2	
36	91316-06020-00	BOLT, SOCKET HEAD	2	
37	90480-13428-00	GROMMET	1	
38	3GM-13464-00-00	HOSE, OIL 1	1	
39	3GM-13465-00-00	HOSE, OIL 2	1	
40	90105-06707-00	BOLT (95023-06016-00)	4	
41	93210-10197-00	O-RING	2	
42	3GM-13159-00-00	DAMPER	1	
43	3GM-13151-00-00	STAY	1	
44	90105-06707-00	BOLT (95023-06016-00)	1	
45	90430-12202-00	GASKET	4	
46	90401-12122-00	BOLT, UNION	2	
47	90480-13428-00	GROMMET	1	

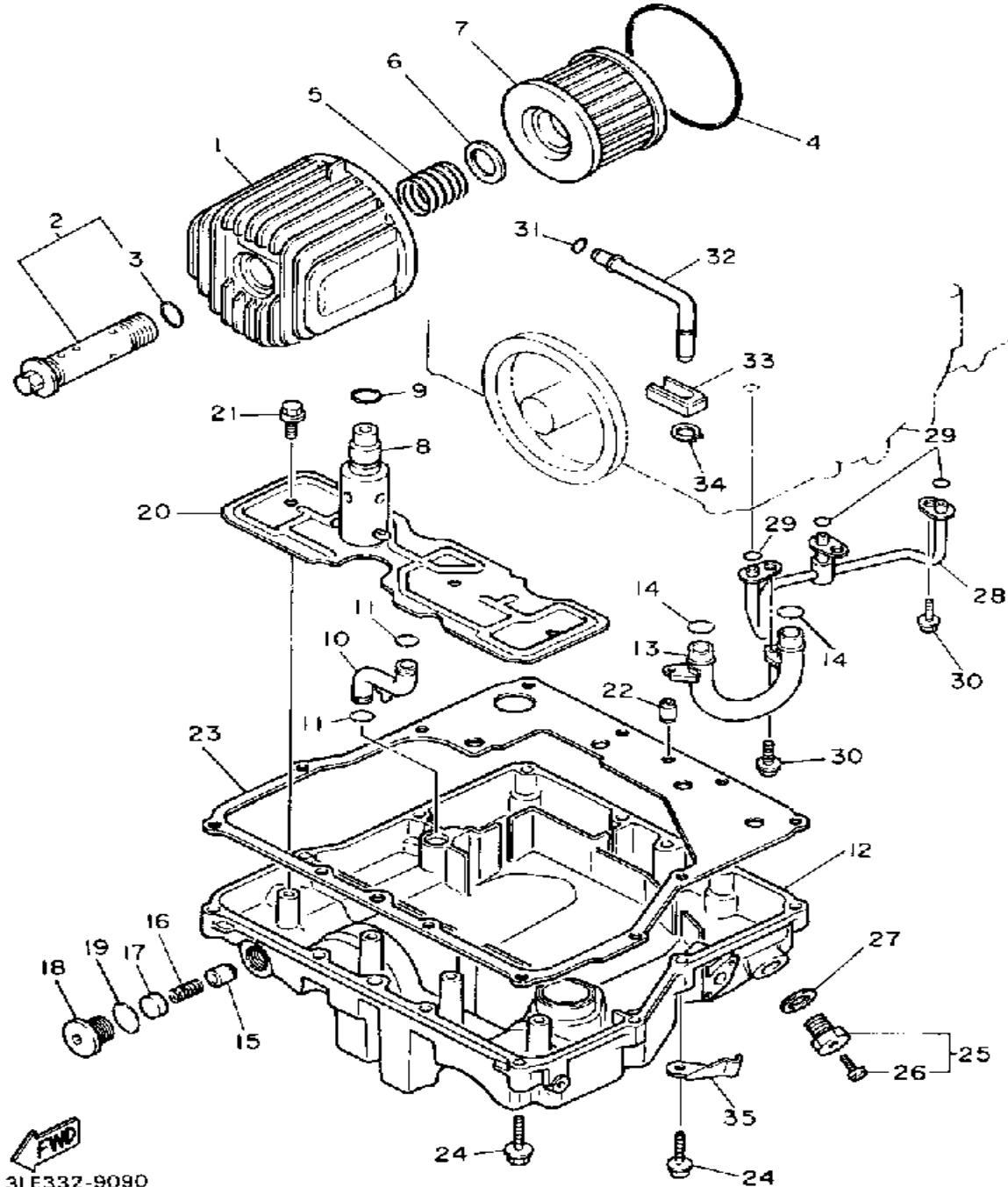
OIL FILTER



Ref. No.	Part Number	Description	Qty	Remarks
1	1AE-13447-00-00	COVER, OIL ELEMENTELEMENT	1	
2	36Y-13340-00-00	BY-PASS VALVE ASSEMBLY	1	
3	93210-16629-00	. O-RING	1	
4	93210-87723-00	O-RING	1	
5	90501-20422-00	SPRING, COMPRESSION	1	
6	90201-21608-00	WASHER, PLATE	1	
7	36Y-13441-00-00	ELEMENT, OIL CLNR	1	
8	3KS-13490-00-00	RELIEF VALVE ASSEMBLY	1	
9	93210-15566-00	O-RING	1	
10	3GM-13418-00-00	PIPE, OIL 2	1	
11	93210-08764-00	O-RING (2GH)	2	
12	3GM-13417-01-00	COVER, STRAINER	1	
13	3FV-13416-00-00	PIPE, OIL 1	1	
14	93210-14579-00	O-RING	2	
15	1L9-13483-00-00	PLUNGER, RELIEF	1	
16	11H-13484-00-00	SPRING, RELIEF	1	
17	90331-14025-00	PLUG, TIGHT	1	
18	36Y-15189-00-00	PLUG	1	
19	93210-16629-00	O-RING	1	
20	3GM-13337-00-00	PLATE, BAFFLE LOWER	1	
21	95026-06010-00	BOLT, FLANGE	4	
22	99510-08016-00	PIN, DOWEL	2	
23	4BH-13414-00-00	GASKET, STRAINER COVER	1	
24	95023-06030-00	BOLT, FLANGE (95021-06030)	12	
25	3VD-13455-00-00	PLUG	1	
26	98901-06008-00	. SCREW, BIND	1	
27	214-11198-01-00	GASKET	1	
28	3GM-13161-01-00	PIPE, DELIVERY 1	1	

CONTINUED ON NEXT FRAME ►

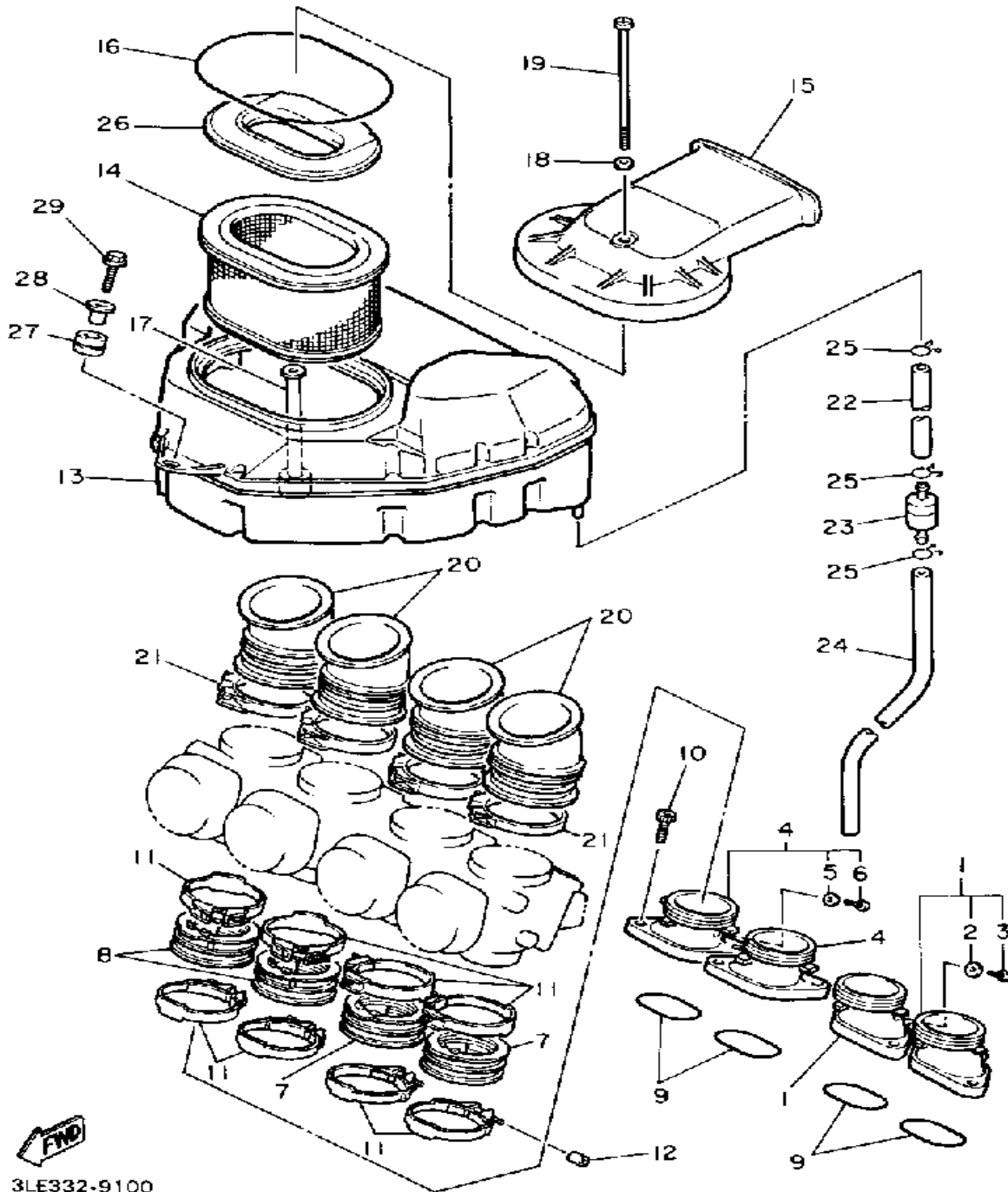
OIL FILTER



3LE332-9090

Ref. No.	Part Number	Description	Qty	Remarks
29	93210-06714-00	O-RING	3	
30	95026-06012-00	BOLT, FLANGE	3	
31	93210-09418-00	O-RING	1	
32	3GM-15373-00-00	PIPE, BREATHER	1	
33	3GM-13174-00-00	HOLDER, OIL PIPE	1	
34	99009-10400-00	CIRCLIP	1	
35	90465-08076-00	CLAMP	1	

AIR FILTER



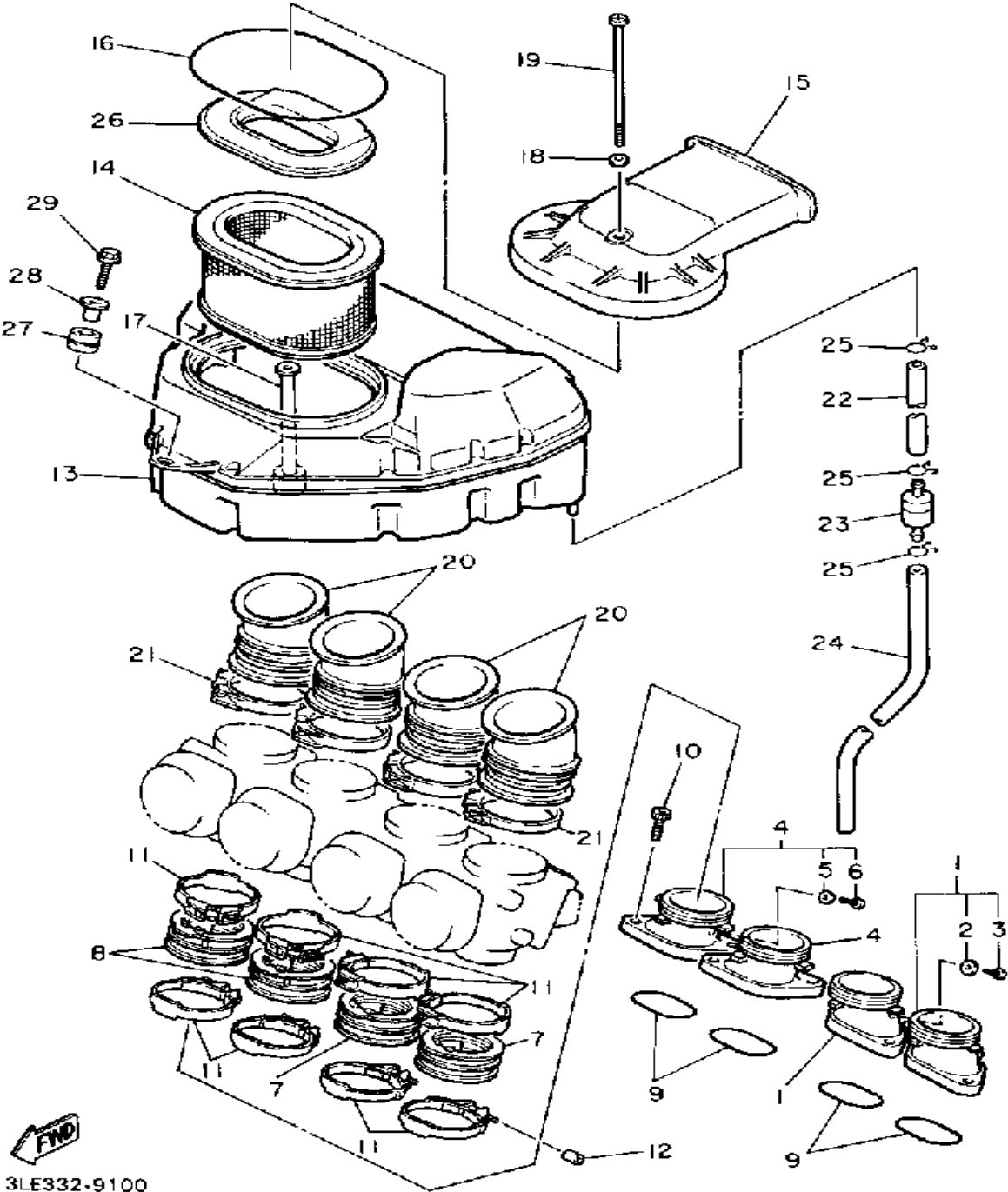
Ref. No.	Part Number	Description	Qty	Remarks
1	3GM-13586-00-00	JOINT, CARBURETOR 1	2	
2	90430-06014-00	. GASKET	1	
3	91312-06012-00	. BOLT	1	
4	3GM-13596-00-00	JOINT, CARBURETOR 2	2	
5	90430-06014-00	. GASKET	1	
6	91312-06012-00	. BOLT	1	
7	3GM-13597-00-00	JOINT, CARBURETOR 3	2	
8	3GM-13598-00-00	JOINT, CARBURETOR 4	2	
9	93210-44545-00	O-RING	4	
10	91316-06020-00	BOLT, SOCKET HEAD	8	
11	90450-57034-00	HOSE CLAMP ASSEMBLY	8	
12	90445-08740-00	HOSE	1	
13	3GM-14401-00-00	AIR CLEANER CASE ASSEMBLY	1	
14	3GM-14451-00-00	ELEMENT, AIR CLEANER	1	
15	3GM-14422-00-00	CAP, CLEANER CASE 2	1	
16	36F-14457-00-00	SEAL	1	
17	3GM-14443-00-00	COLLAR	1	
18	92990-06600-00	WASHER, PLATE	1	
19	92511-06140-00	SCREW, PAN HEAD	1	
20	3GM-14453-00-00	JOINT, AIR CLEANER 1	4	
21	90450-67033-00	HOSE CLAMP ASSEMBLY	4	
22	90445-11288-00	HOSE	1	
23	4X7-2149Y-00-00	FILTER ASSEMBLY	1	
24	90445-114E2-00	HOSE	1	
25	90467-10008-00	CLIP	3	
26	3GM-14432-00-00	SILENCER, INNER	1	
27	90480-14023-00	GROMMET	1	
28	90387-060M9-00	COLLAR	1	



3LE332-9100

CONTINUED ON NEXT FRAME ►

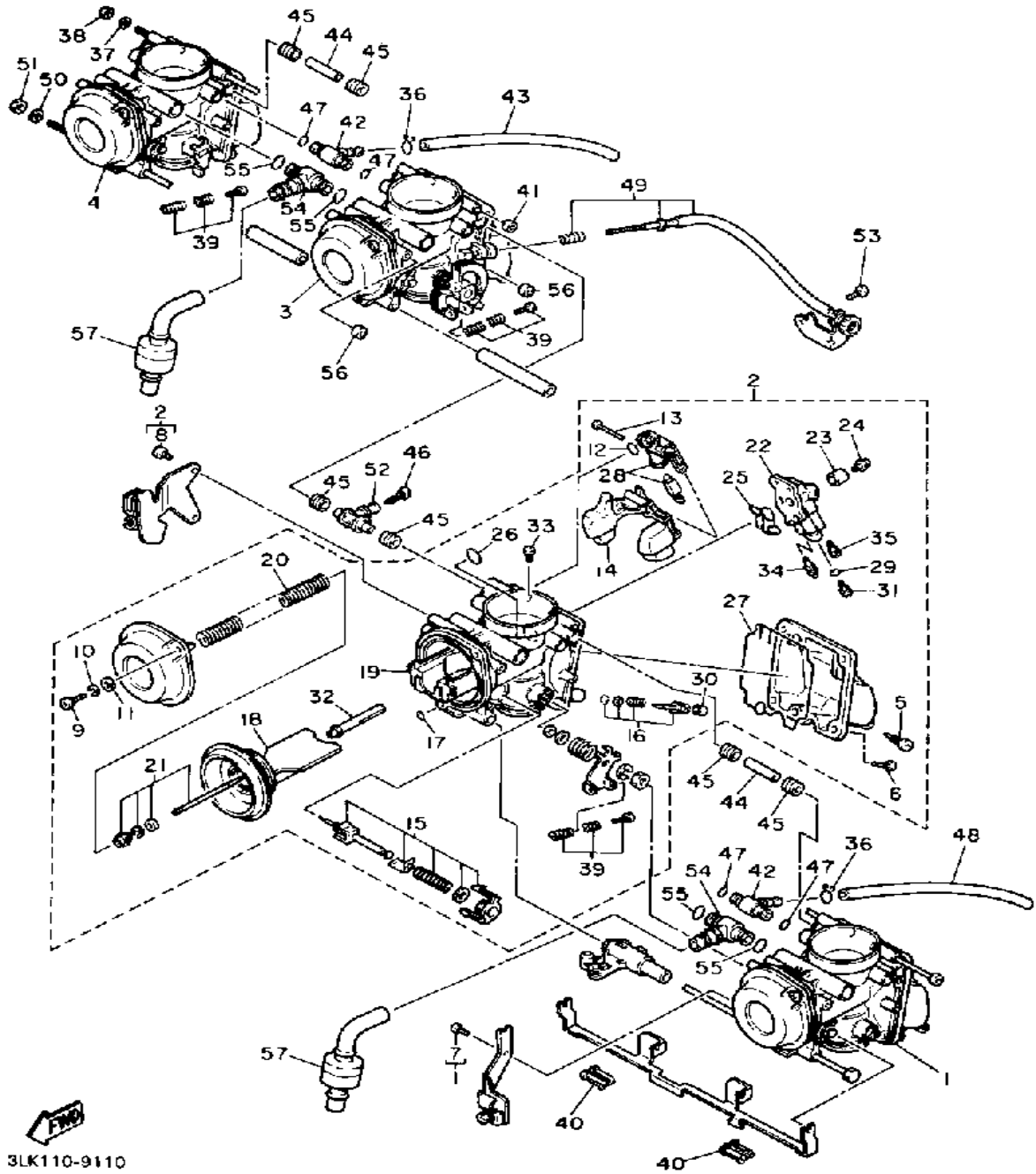
AIR FILTER



Ref. No.	Part Number	Description	Qty	Remarks
29	91012-06030-00	BOLT, FLANGE	1	

FND
3LE332-9100

CARBURETOR (NON-CALIFORNIA MODEL)

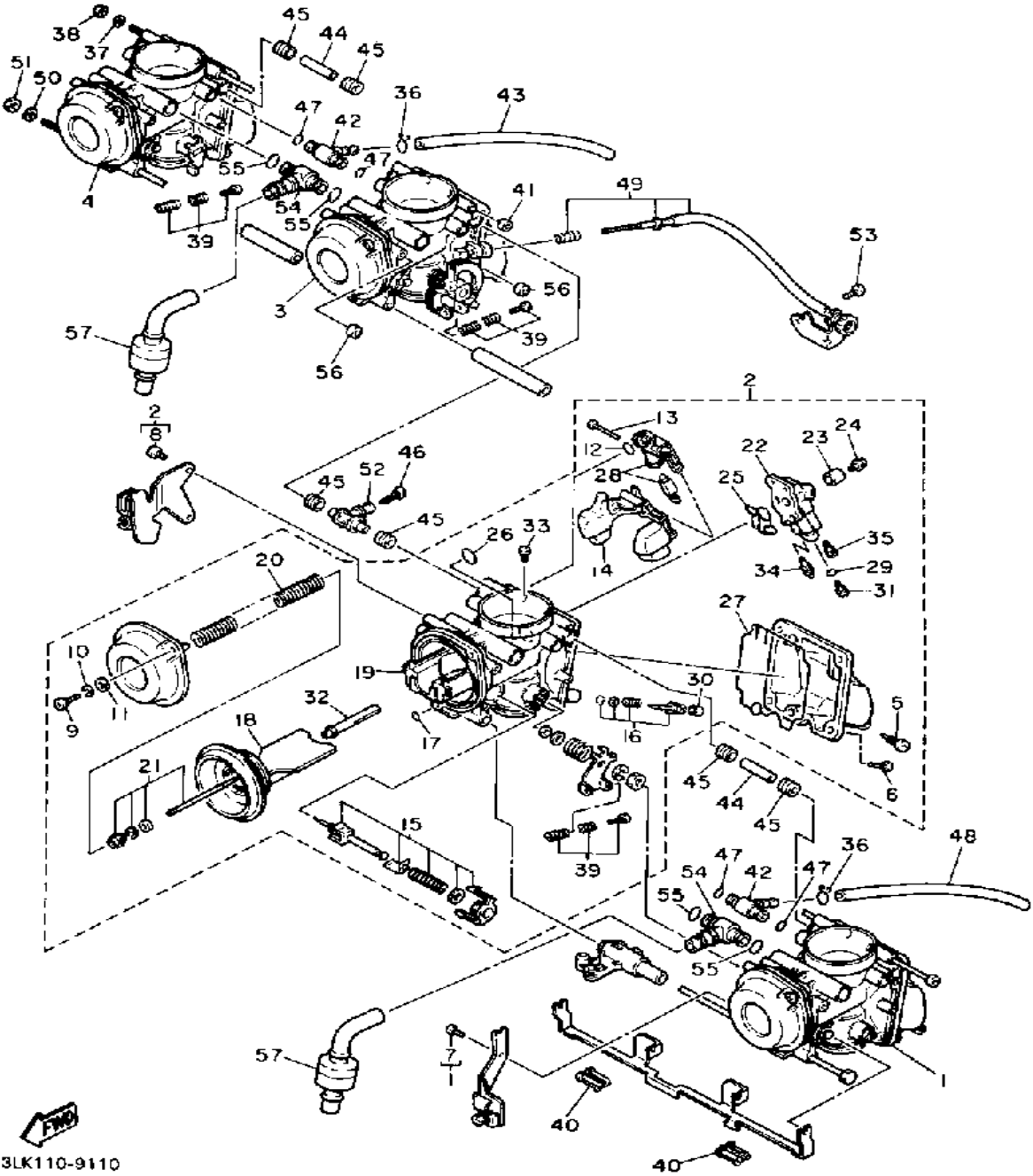


3LK110-9110

Ref. No.	Part Number	Description	Qty	Remarks
1	3LK-14901-10-00	CARBURETOR ASSEMBLY 1	1	UR
2	3LK-14902-10-00	CARBURETOR ASSEMBLY 2	1	UR
3	3LK-14903-10-00	CARBURETOR ASSEMBLY 3	1	UR
4	(3LK-14904-00-00)	CARBURETOR ASSEMBLY 4	1	UR
5	12R-14191-00-00	. PLUG, DRAIN	1	
6	98580-05012-00	. SCREW, PAN HEAD	2	
7	98580-04008-00	. SCREW, PAN HEAD	1	
8	98580-04008-00	. SCREW, PAN HEAD	2	
9	98586-05016-00	. SCREW, PAN HEAD	2	
10	92906-05100-00	. WASHER, SPRING	2	
11	92906-05600-00	. WASHER, PLATE	2	
12	3EN-14147-00-00	. O-RING	1	
13	53L-14186-00-00	. PIN, FLOAT	1	
14	3GM-14985-00-00	. FLOAT	1	
15	3EN-1410A-00-00	. STARTER SET	1	
16	12R-14105-00-00	. PILOT SCREW SET	1	
17	3FV-14147-00-00	. O-RING	1	
18	3GM-14940-00-00	. DIAPHRAGM ASSEMBLY	1	
19	3GM-1411E-00-00	. BLOCK, JET	1	
20	3FV-14933-00-00	. SPRING, DIAPHRAGM	1	
21	3LK-1490J-00-00	. NEEDLE SET	1	
22	3GM-1411A-00-00	. BLOCK JET ASSEMBLY	1	
23	3GM-14153-00-00	. WASHER, MAIN JET	1	
24	1HX-14565-00-00	. SCREW	1	
25	3LF-14147-00-00	. O-RING	1	
26	1FN-14147-00-00	. O-RING	1	
27	3GM-14997-00-00	. SEAL	1	
28	3GM-14107-17-00	. NEEDLE VALVE SET	1	
29	1AE-14227-00-00	. O-RING	1	

CONTINUED ON NEXT FRAME ►

CARURETOR (NON-CALIFORNIA MODEL)

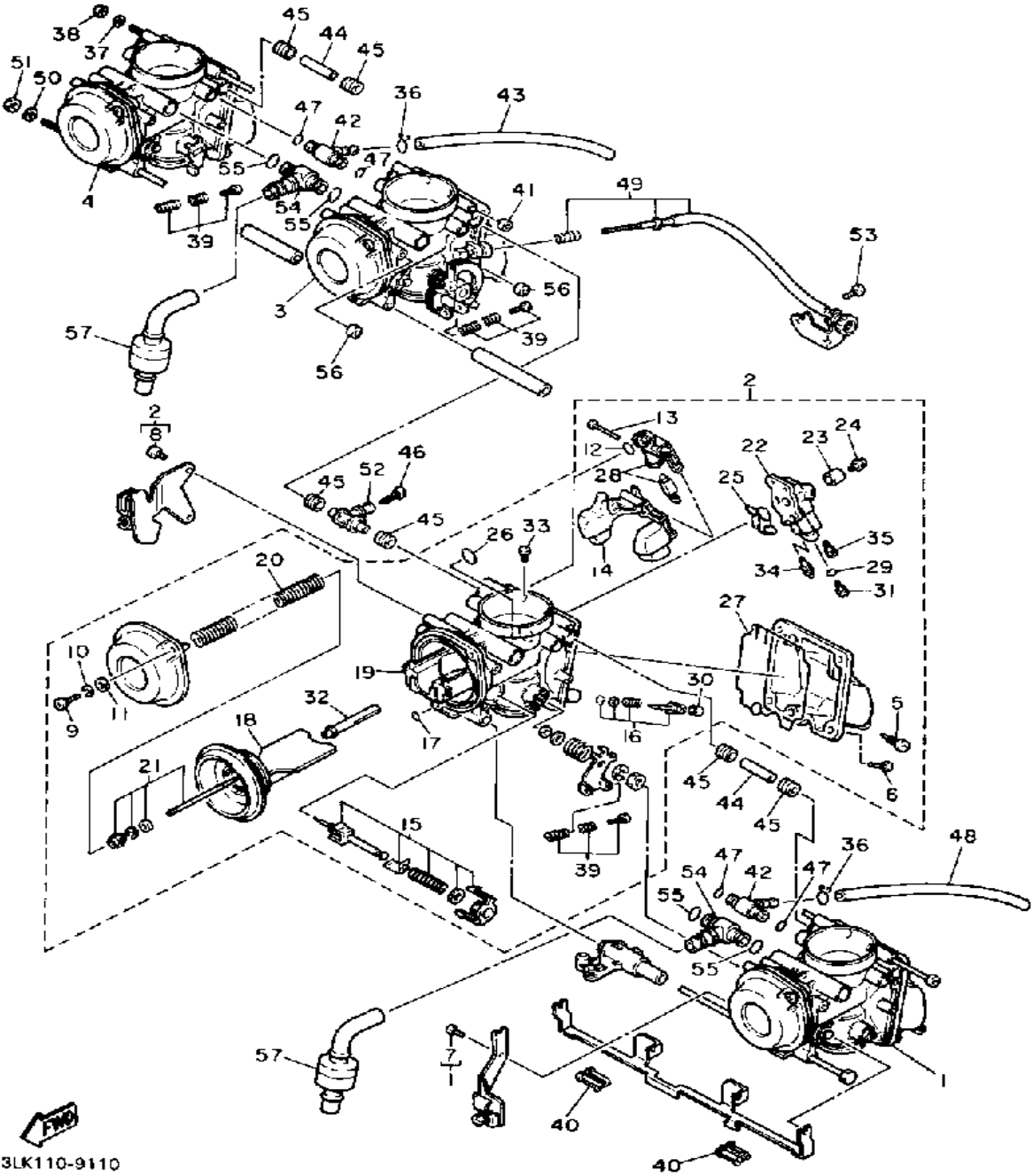


3LK110-9110

Ref. No.	Part Number	Description	Qty	Remarks
30	3F9-14118-00-00	. CAP	1	
31	3G2-14231-25-00	. JET, MAIN (#125)	1	4
32	3GM-14141-90-00	. NOZZLE, MAIN	1	
33	830-14231-25-00	. JET, MAIN (#125)	1	
34	4G0-14142-37-A0	. JET, PILOT #37.5 (4G0-14142-37-00)	1	
35	3G2-14231-12-00	. JET, POWER (# 60)	1	
36	8U9-14139-00-00	CLIP, PIPE	2	
37	92901-05600-00	WASHER, PLATE	1	
38	95380-05600-00	NUT	1	
39	3EN-1490K-00-00	STOP SCREW SET	3	
40	3EN-14261-00-00	HOLDER	2	
41	3GM-14918-00-00	RING	1	
42	17A-14251-00-00	NIPPLE	2	
43	4G0-14197-00-00	PIPE (2GH-14197-00-00)	1	
44	3GM-14988-00-00	PIPE, STARTER CONNECTING	2	
45	3EN-14997-00-00	SEAL	6	
46	1KT-14994-00-00	NET, FILTER	1	
47	822-14147-00-00	O-RING	4	
48	3LF-14197-00-00	PIPE	1	
	3LF-14197-00-00	PIPE	1	UR
49	3GM-14103-00-00	THROTTLE SCREW SET	1	
50	92990-06600-00	WASHER, PLATE	1	
51	95380-06600-00	NUT	1	
52	3EN-14988-00-00	PIPE, STARTER CONNECTING	1	
53	98580-05010-00	SCREW, PAN HEAD	1	
54	3GM-14251-00-00	NIPPLE	2	
55	3LK-14147-00-00	O-RING	4	
56	3GM-14992-00-00	ROD	2	

CONTINUED ON NEXT FRAME ►

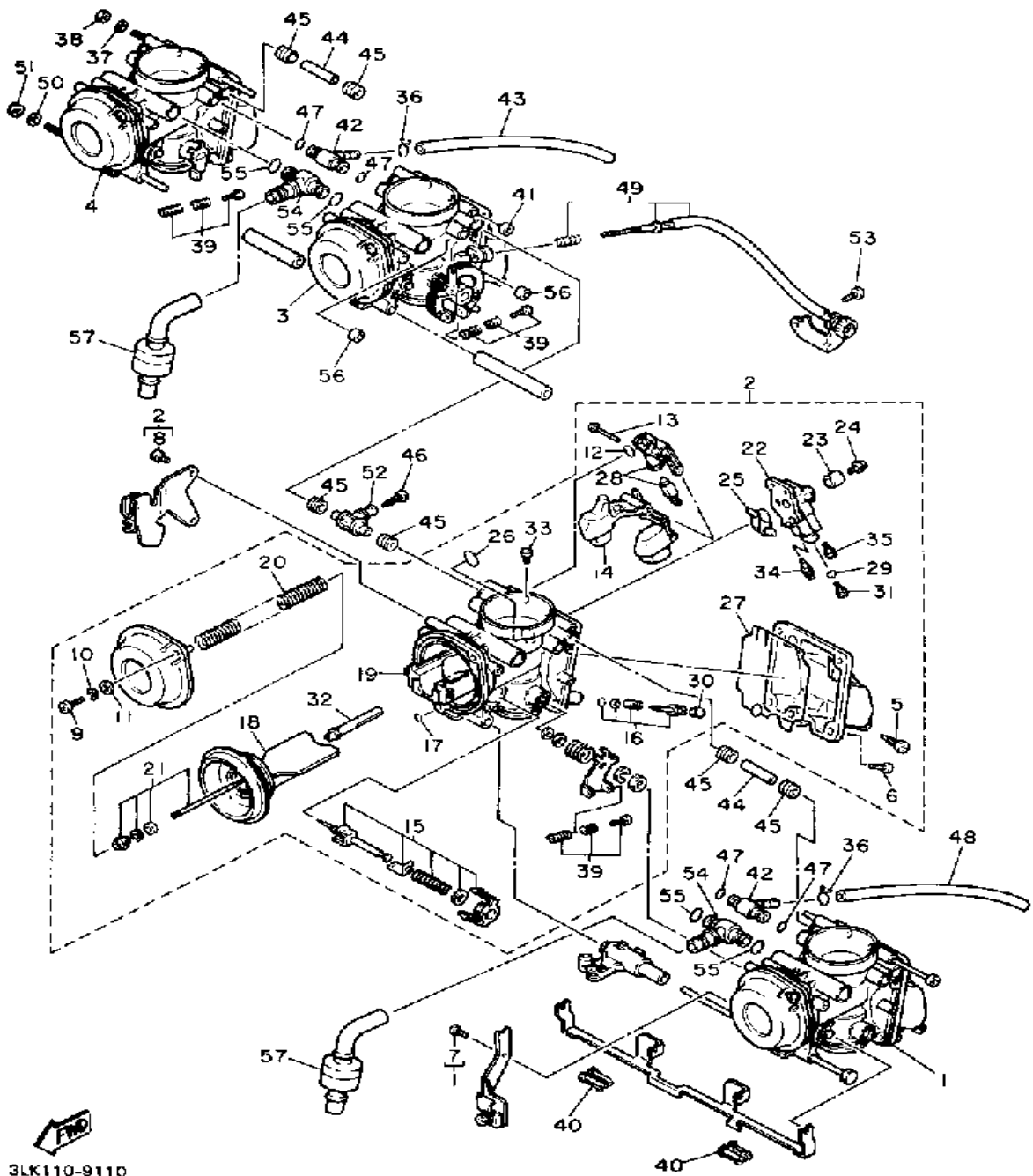
CARURETOR (NON-CALIFORNIA MODEL)



3LK110-9110

Ref. No.	Part Number	Description	Qty	Remarks
57	3GM-14197-00-00	PIPE	2	

CARBURETOR (CALIFORNIA MODEL ONLY)

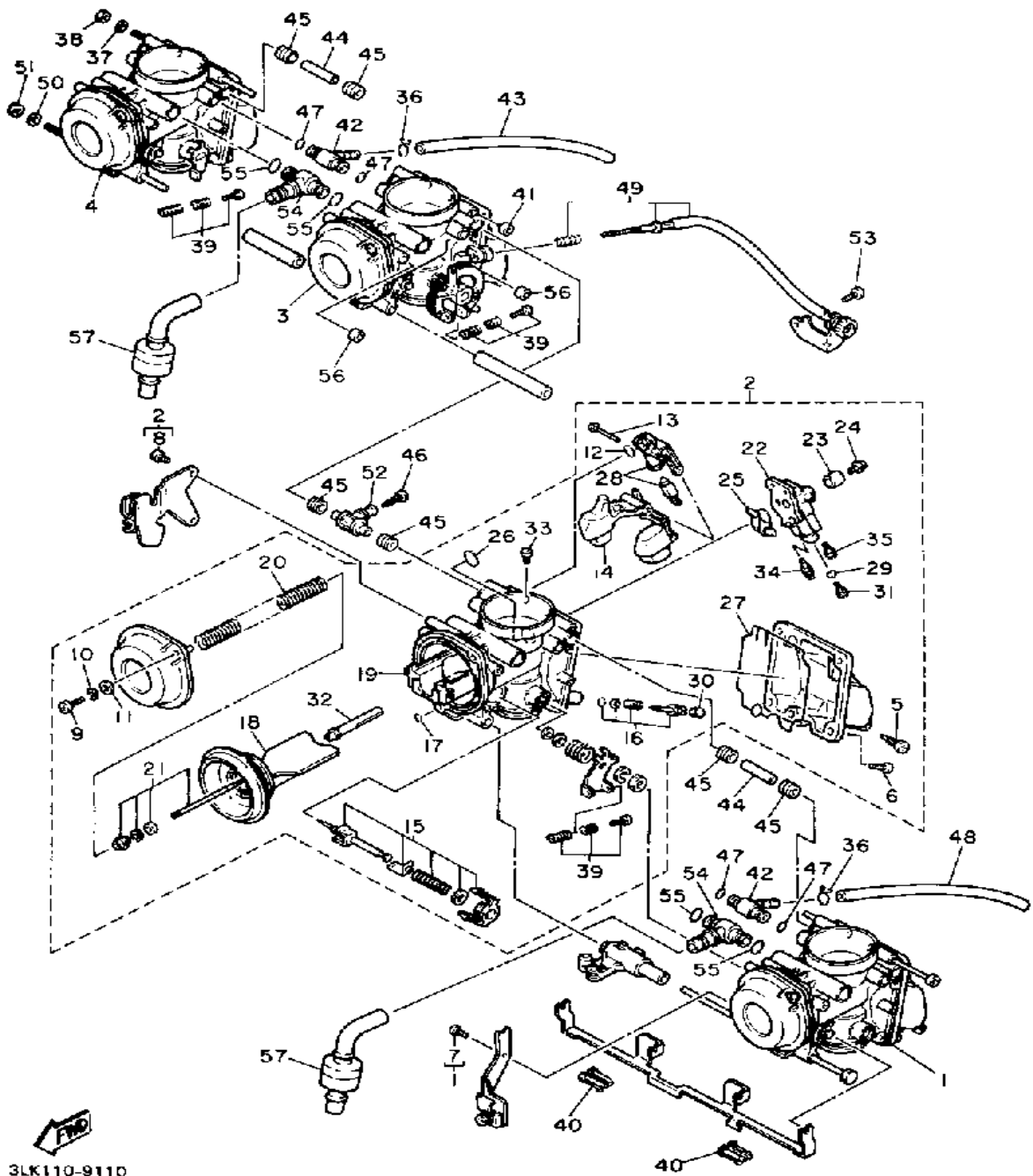


3LK110-9110

Ref. No.	Part Number	Description	Qty	Remarks
1	3LK-14901-10-00	CARBURETOR ASSEMBLY 1	1	UR
2	3LK-14902-10-00	CARBURETOR ASSEMBLY 2	1	UR
3	3LK-14903-10-00	CARBURETOR ASSEMBLY 3	1	UR
4	3LK-14904-10-00	CARBURETOR ASSEMBLY 4	1	UR
5	12R-14191-00-00	. PLUG, DRAIN	1	
6	98580-05012-00	. SCREW, PAN HEAD	2	
7	98580-04008-00	. SCREW, PAN HEAD	1	
8	98580-04008-00	. SCREW, PAN HEAD	2	
9	98586-05016-00	. SCREW, PAN HEAD	2	
10	92906-05100-00	. WASHER, SPRING	2	
11	92906-05600-00	. WASHER, PLATE	2	
12	3EN-14147-00-00	. O-RING	1	
13	53L-14186-00-00	. PIN, FLOAT	1	
14	3GM-14985-00-00	. FLOAT	1	
15	3EN-1410A-00-00	. STARTER SET	1	
16	12R-14105-00-00	. PILOT SCREW SET	1	
17	3FV-14147-00-00	. O-RING	1	
18	3GM-14940-00-00	. DIAPHRAGM ASSEMBLY	1	
19	3GM-1411E-00-00	. BLOCK, JET	1	
20	3FV-14933-00-00	. SPRING, DIAPHRAGM	1	
21	3LK-1490J-00-00	. NEEDLE SET	1	
22	3GM-1411A-00-00	. BLOCK JET ASSEMBLY	1	
23	3GM-14153-00-00	. WASHER, MAIN JET	1	
24	1HX-14565-00-00	. SCREW	1	
25	3LF-14147-00-00	. O-RING	1	
26	1FN-14147-00-00	. O-RING	1	
27	3GM-14997-00-00	. SEAL	1	
28	3GM-14107-17-00	. NEEDLE VALVE SET	1	
29	1AE-14227-00-00	. O-RING	1	

CONTINUED ON NEXT FRAME ►

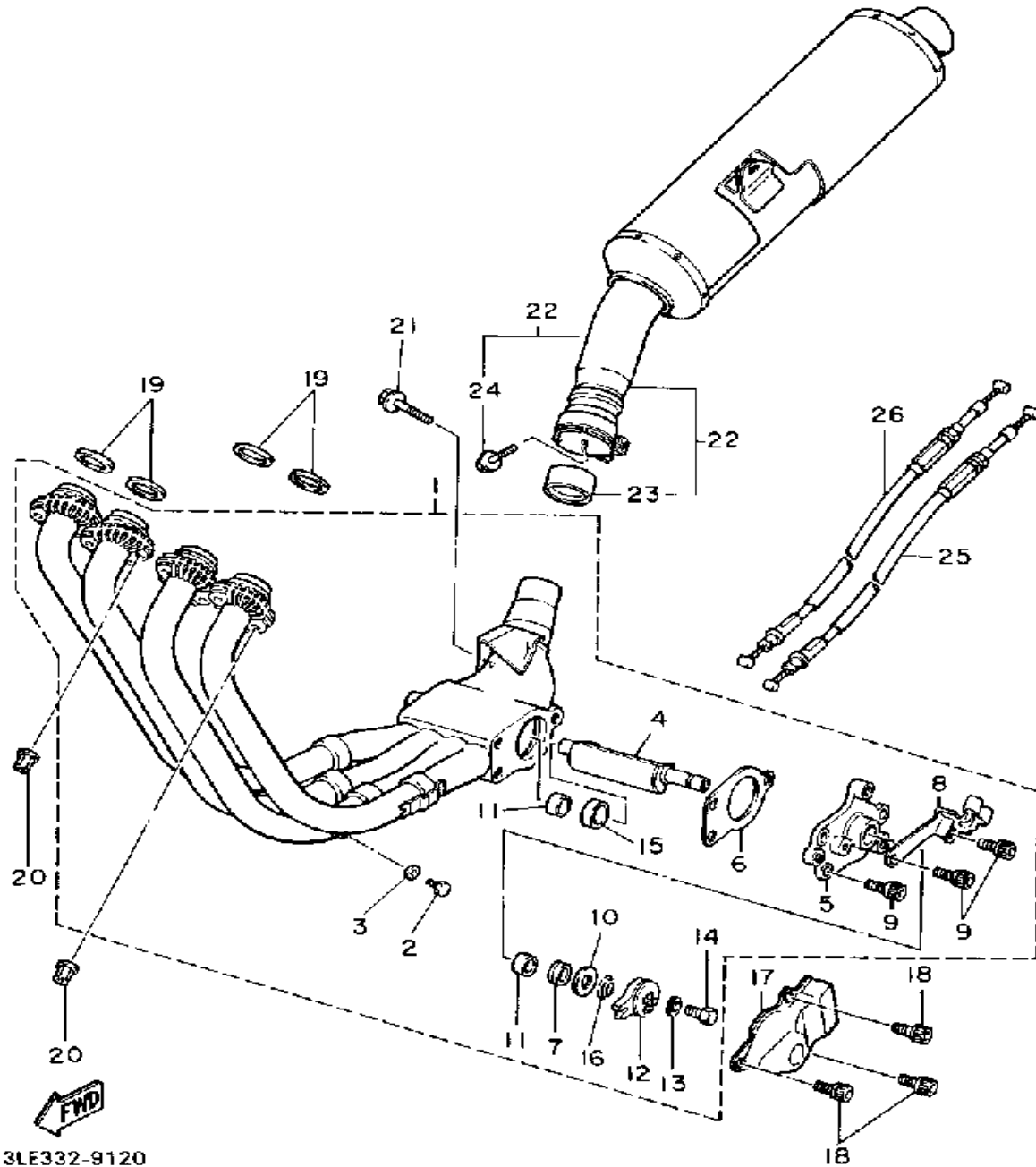
CARBURETOR (CALIFORNIA MODEL ONLY)



3LK110-9110

Ref. No.	Part Number	Description	Qty	Remarks
30	3F9-14118-00-00	. CAP	1	
31	3G2-14231-25-00	. JET, MAIN (#125)	1	4
32	3GM-14141-90-00	. NOZZLE, MAIN	1	
33	830-14231-25-00	. JET, MAIN (#125)	1	
34	4G0-14142-37-A0	. JET, PILOT #37.5 (4G0-14142-37-00)	1	
35	3G2-14231-12-00	. JET, POWER (# 60)	1	
36	8U9-14139-00-00	CLIP, PIPE	2	
37	92901-05600-00	WASHER, PLATE	1	
38	95380-05600-00	NUT	1	
39	3EN-1490K-00-00	STOP SCREW SET	3	
40	3EN-14261-00-00	HOLDER	2	
41	3GM-14918-00-00	RING	1	
42	17A-14251-00-00	NIPPLE	2	
43	4G0-14197-00-00	PIPE (2GH-14197-00-00)	1	
44	3GM-14988-00-00	PIPE, STARTER CONNECTING	2	
45	3EN-14997-00-00	SEAL	6	
46	1KT-14994-00-00	NET, FILTER	1	
47	822-14147-00-00	O-RING	4	
48	3FV-14197-00-00	PIPE	1	UR
49	3GM-14103-00-00	THROTTLE SCREW SET	1	
50	92990-06600-00	WASHER, PLATE	1	
51	95380-06600-00	NUT	1	
52	3EN-14988-00-00	PIPE, STARTER CONNECTING	1	
53	98580-05010-00	SCREW, PAN HEAD	1	
54	3GM-14251-00-00	NIPPLE	2	
55	3LK-14147-00-00	O-RING	4	
56	3GM-14992-00-00	ROD	2	
57	3GM-14197-00-00	PIPE	2	

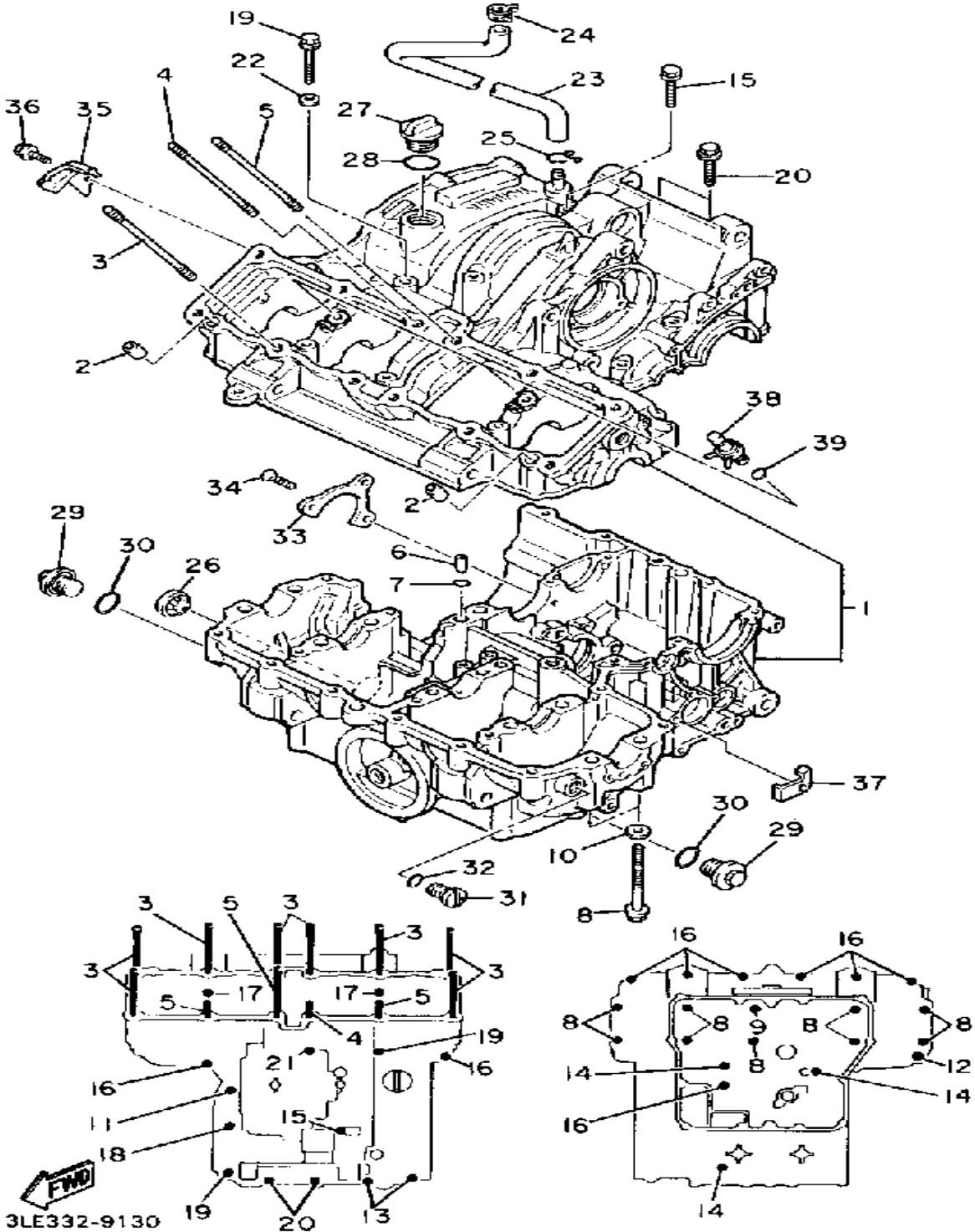
EXHAUST



3LE332-9120

Ref. No.	Part Number	Description	Qty	Remarks
1	3GM-14610-00-00	EXHAUST PIPE ASSEMBLY 1	1	
2	90101-06576-00	. BOLT	4	
3	92906-06600-00	. WASHER	4	
4	3GM-14821-00-00	. ARM, SHAFT (VALVE)	1	
5	3GM-14811-00-00	. HOUSING	1	
6	3FH-14815-00-00	. GASKET	1	
7	2TK-14845-00-00	. DUST SEAL ASSEMBLY	1	
8	2TK-14867-01-00	. BRACKET	1	
9	90119-06115-00	. BOLT, WITH WASHER	3	
10	90201-106M5-00	. WASHER, PLATE	1	
11	90380-10195-00	. BUSH, SOLID	2	
12	2TK-14865-01-00	. PULLEY	1	
13	92990-05200-00	. WASHER, PLAIN	1	
14	97080-05012-00	. BOLT	1	
15	90387-106U7-00	. COLLAR	1	
16	3GM-14683-00-00	. SPRING, HOOK	1	
17	3EN-14826-10-00	PROTECTOR, EXHAUST	1	
18	90119-06187-00	BOLT, WITH WASHER	3	
19	3YF-14613-01-00	GASKET, EXHAUST PIPE	4	
20	90179-08410-00	NUT	8	
21	95816-08035-00	BOLT, FLANGE	1	
22	3LK-14710-01-00	MUFFLER ASSEMBLY L	1	
23	3HE-14755-00-00	. GASKET, SILENCER	1	
24	95816-08025-00	. BOLT, FLANGE	1	
25	3GM-1133E-01-00	CABLE, PULLEY 1	1	
26	3GM-1133F-01-00	CABLE, PULLEY 2	1	

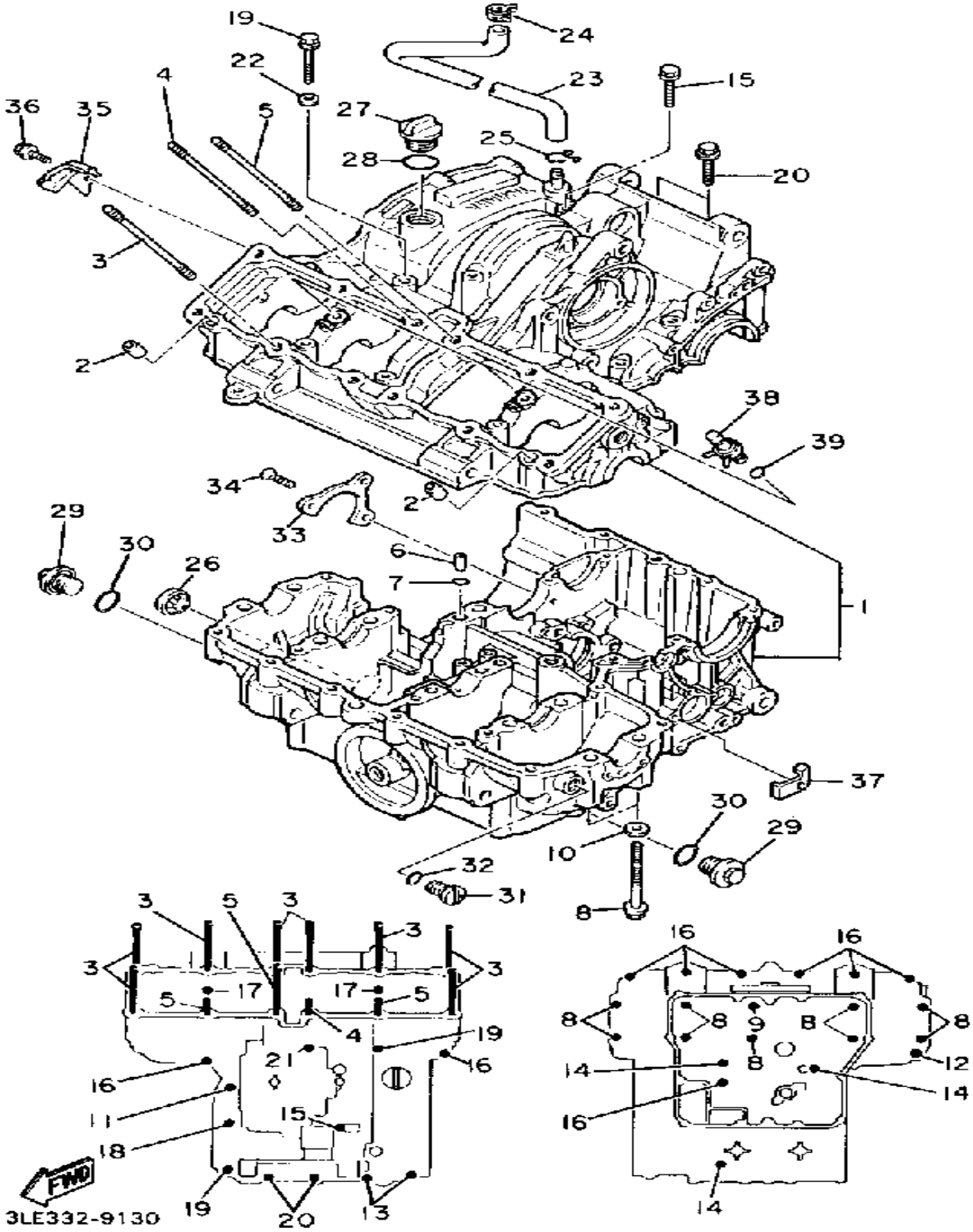
CRANKCASE



Ref. No.	Part Number	Description	Qty	Remarks
1	3GM-15100-01-00	CRANKCASE ASSEMBLY	1	
2	99530-10014-00	PIN, DOWEL	2	
3	90116-10532-00	BOLT, STUD	8	
4	90116-10531-00	BOLT, STUD	1	
5	90116-10537-00	BOLT, STUD	3	
6	90387-05383-00	COLLAR	1	
7	93210-07135-00	O-RING	1	
8	90105-09373-00	BOLT, WASHER BASED	9	
9	90105-09580-00	BOLT, WASHER BASED	1	
10	90201-096J9-00	WASHER, PLATE	4	
11	95811-06035-00	BOLT, FLANGE	1	
12	95811-08045-00	BOLT, FLANGE (JN5)	1	
13	95811-06060-00	BOLT, FLANGE	2	
14	95811-06080-00	BOLT, FLANGE	3	
15	95811-06140-00	BOLT, FLANGE	1	
16	95811-08045-00	BOLT, FLANGE (JN5)	9	
17	95811-08055-00	BOLT, FLANGE	2	
18	95811-08065-00	BOLT, FLANGE	1	
19	95811-08090-00	BOLT, FLANGE (95822-08090)	2	
20	95811-08060-00	BOLT, FLANGE	2	
21	90105-09555-00	BOLT, WASHER BASED	1	
22	90201-08087-00	WASHER, PLATE	1	
23	1AE-11166-00-00	PIPE, BREATHER 1	1	
24	90467-15054-00	CLIP	1	
25	90467-14015-00	CLIP	1	
26	2H7-15361-00-00	GAUGE, LEVEL	1	
27	3F9-15362-00-00	PLUG, OIL LEVEL	1	
28	93210-27778-00	O-RING	1	
29	4H7-15189-00-00	PLUG	2	

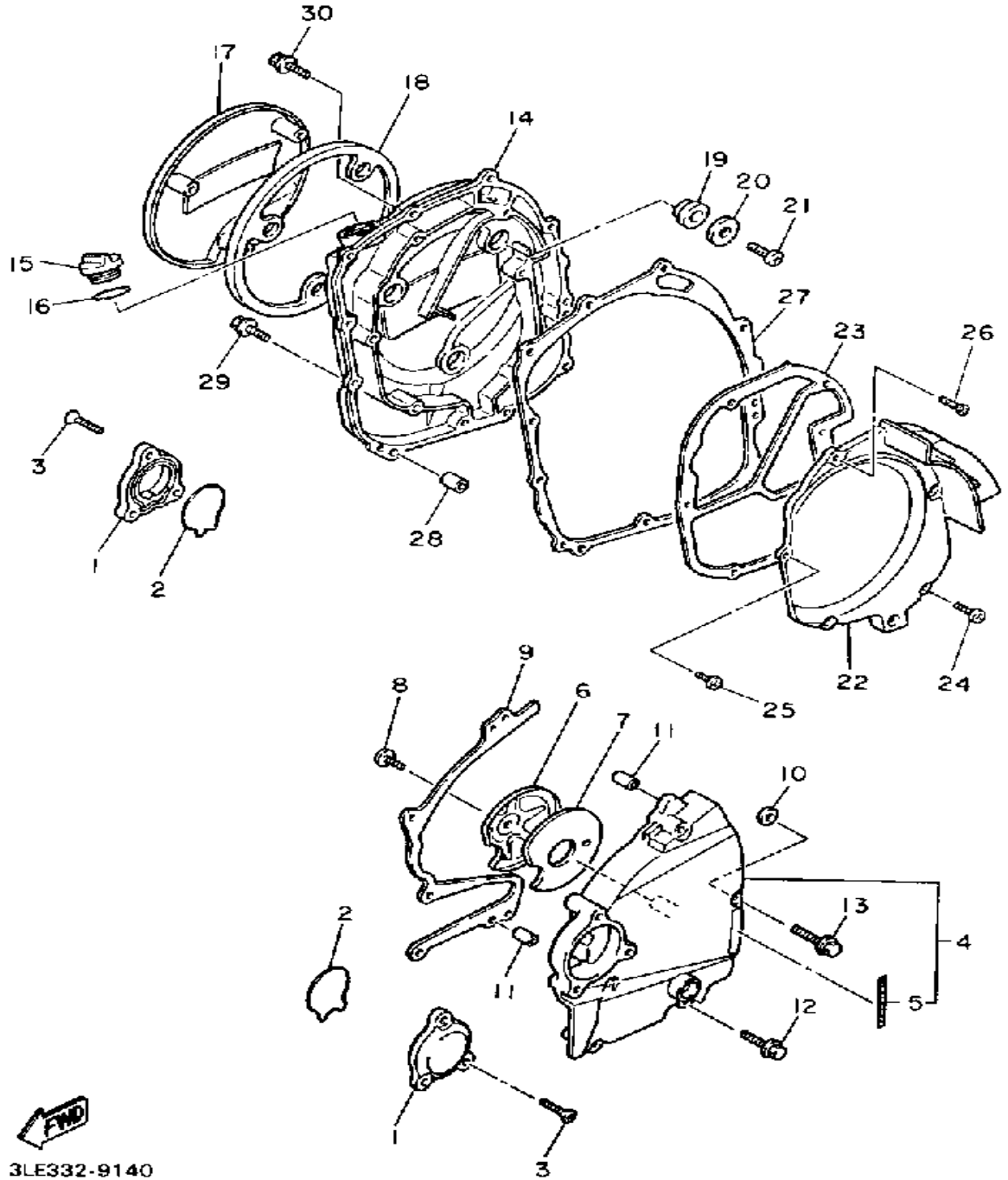
CONTINUED ON NEXT FRAME ➤

CRANKCASE



Ref. No.	Part Number	Description	Qty	Remarks
30	93210-20573-00	O-RING	2	
31	90340-14068-00	PLUG, STRAIGHT SCREW	1	
32	93210-14369-00	O-RING	1	
33	1AE-15383-00-00	PLATE, BEARING COVER	1	
34	90151-06014-00	SCREW, COUNTERSUNK	3	
35	90462-08184-00	CLAMP	1	
36	95023-06012-00	BOLT, FLANGE	1	
37	90462-08158-00	CLAMP	1	
38	2TK-15105-00-00	NOZZLE ASSEMBLY	2	
39	93210-06632-00	O-RING	2	

CRANKCASE COVER

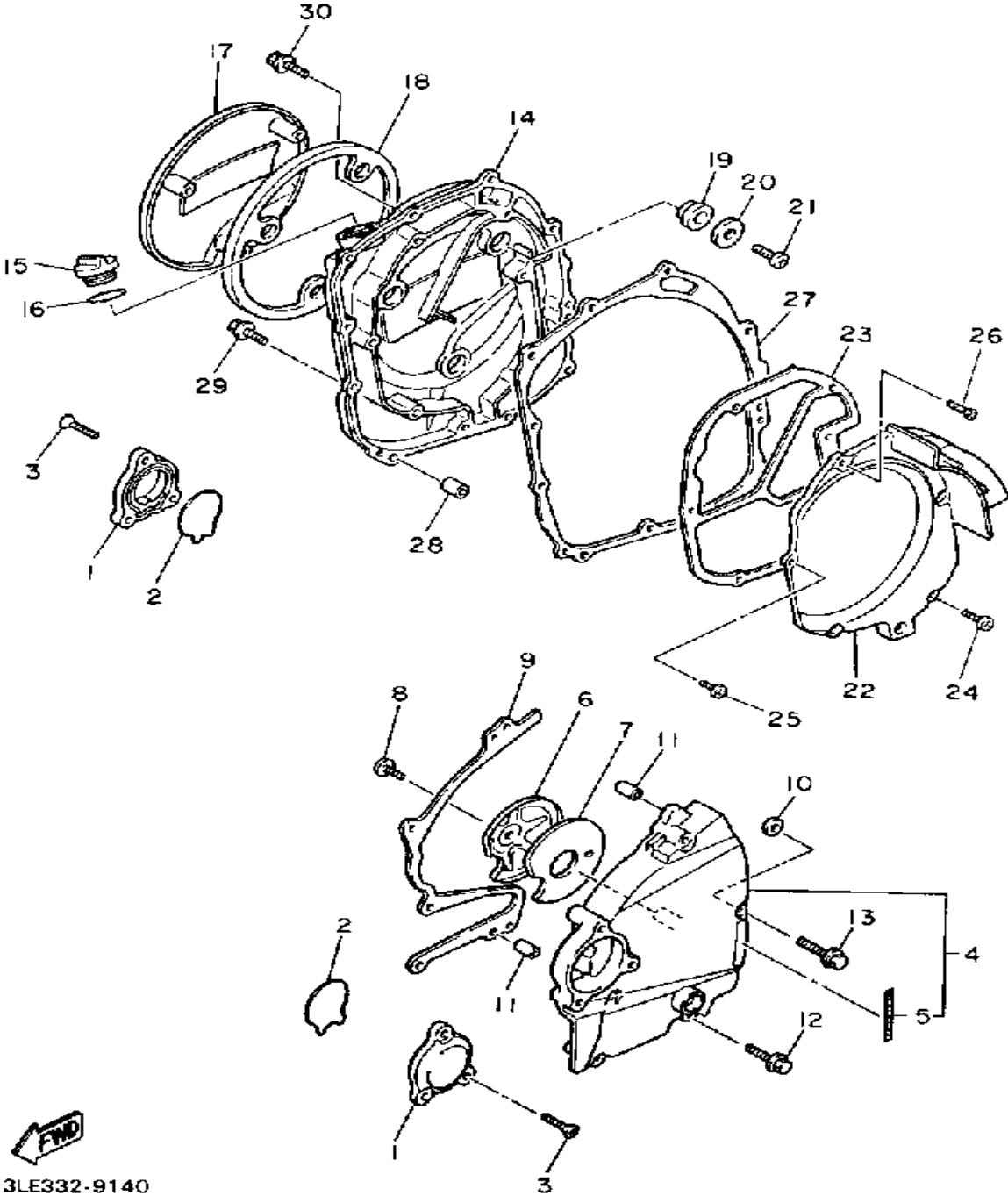


Ref. No.	Part Number	Description	Qty	Remarks
1	3GM-15416-00-00	COVER, OIL PUMP	2	
2	1AE-15456-00-00	GASKET, OIL PUMP COVER 1	2	
3	90152-06014-00	SCREW, COUNTERSUNK	6	
4	3GM-15410-00-00	CRANKCASE COVER ASSEMBLY 1	1	
5	2GH-15435-00-00	. EMBLEM	1	
6	3GM-15427-00-00	COVER, CAP 2	1	
7	1AE-15316-00-00	DAMPER, ENGINE MOUNT 1	1	
8	92011-06010-00	BOLT, BUTTON HEAD	1	
9	4BH-15451-00-00	GASKET, CRANKCASE COVER 1	1	
10	1UF-15467-00-00	GASKET	1	
11	99510-08012-00	PIN, DOWEL	2	
12	95023-06040-00	BOLT, FLANGE (1YW)	3	
13	95021-06050-00	BOLT, FLANGE	2	
14	3GM-15421-00-00	COVER, CRANKCASE 2	1	
15	3F9-15362-00-00	PLUG, OIL LEVEL	1	
16	93210-27778-00	O-RING	1	
17	3GM-15417-00-00	COVER, CAP	1	
18	3GM-15449-00-00	RING, RUBBER	1	
19	4H7-15486-00-00	GROMMET	3	
20	90209-06096-00	WASHER	3	
21	98580-06010-00	SCREW, PAN HEAD (92503-06010)	3	
22	3GM-15346-00-00	BREATHER 1	1	
23	4BH-15463-00-00	GASKET, CARBURETOR COVER 2	1	
24	98580-06020-00	SCREW	4	
25	90157-06104-00	SCREW, PAN HEAD	1	
26	90152-06024-00	SCREW, COUNTERSUNK	1	

CONTINUED ON NEXT FRAME ►

3LE332-9140

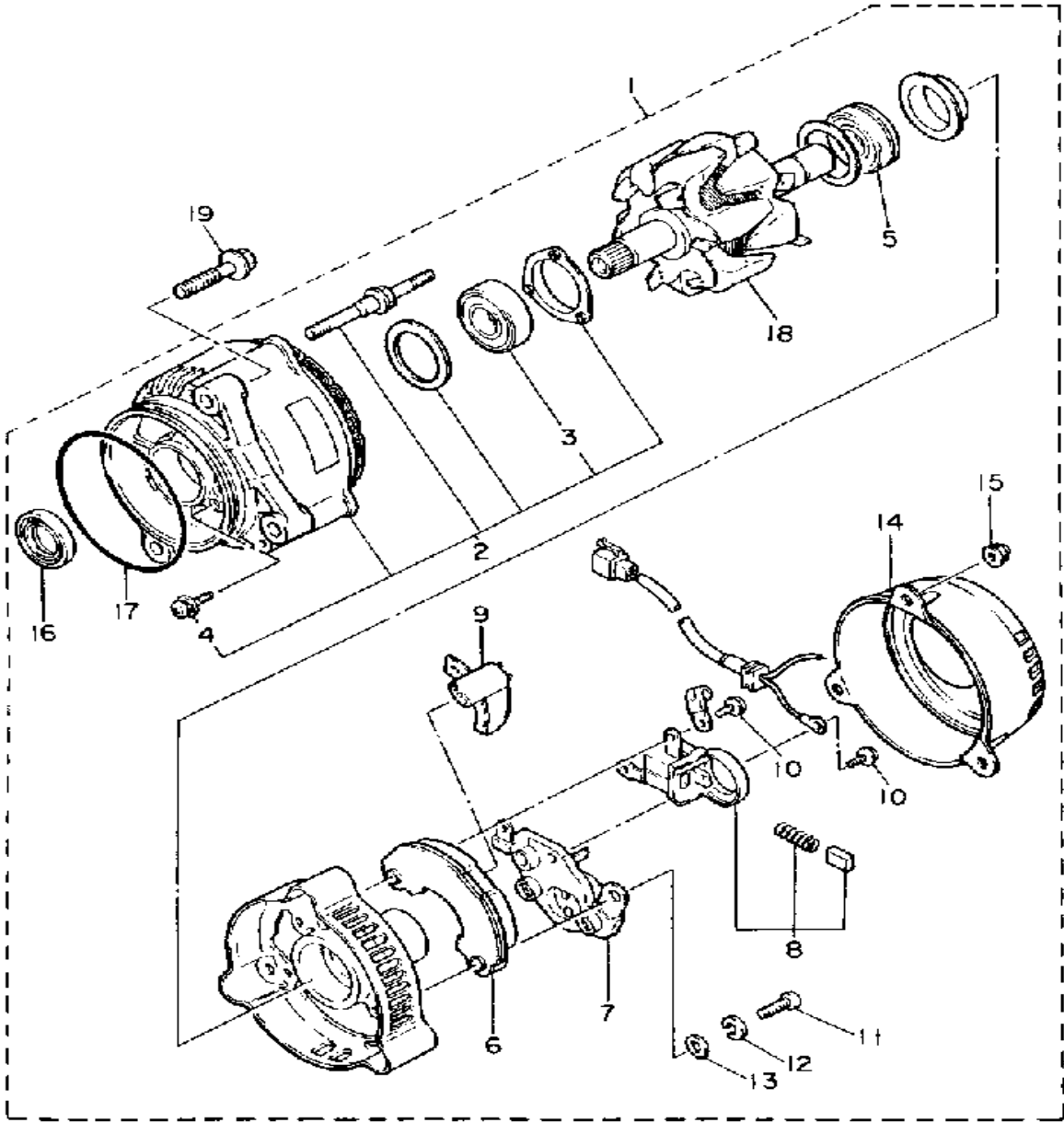
CRANKCASE COVER



Ref. No.	Part Number	Description	Qty	Remarks
27	4BH-15461-00-00	GASKET, CRANKCASE COVER 2	1	
28	99510-08012-00	PIN, DOWEL	2	
29	95023-06030-00	BOLT, FLANGE (95021-06030)	2	
30	95023-06020-00	BOLT, FLANGE	9	

3LE332-9140

GENERATOR

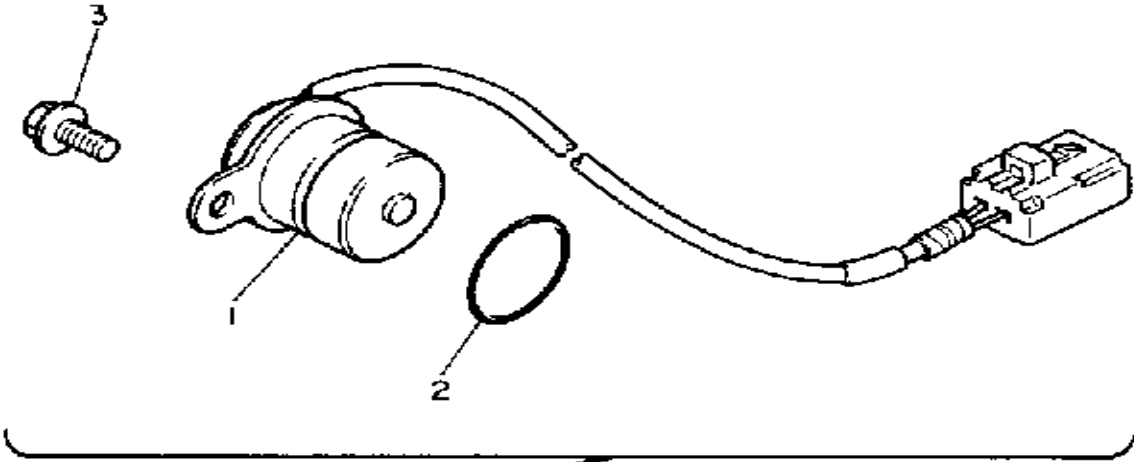


Ref. No.	Part Number	Description	Qty	Remarks
1	2GH-81600-55-00	A.C. GENERATOR ASSEMBLY	1	
2	2KT-81634-50-00	. STATOR ASSEMBLY	1	
3	36Y-81643-30-00	.. BEARING	1	
4	2KT-81645-50-00	.. SCREW	3	
5	36Y-81643-50-00	. BEARING	1	
6	36Y-81970-50-00	. RECTIFIER ASSEMBLY	1	
7	36Y-81910-50-00	. VOLTAGE REGULATOR ASSEMBLY	1	
8	3FV-81619-00-00	. BRUSH HOLDER ASSEMBLY	1	
9	36Y-81972-50-00	. COVER, RECTIFIER	1	
10	36Y-81453-00-0	. UNAVAILABLE IN PRICE BOOK	2	
11	98501-05018-00	. SCREW, PAN HEAD	3	
12	92990-05100-00	. WASHER, SPRING	3	
13	92901-05600-00	. WASHER, PLATE	3	
14	2KT-81604-50-00	. COVER ASSEMBLY	1	
15	2KT-81675-50-00	. NUT	3	
16	36Y-81638-50-00	. OIL SEAL	1	
17	2KT-81642-50-00	. O-RING	1	
18	2GH-81660-52-00	. ROTOR ASSEMBLY	1	
19	95816-08030-00	BOLT, FLANGE	3	

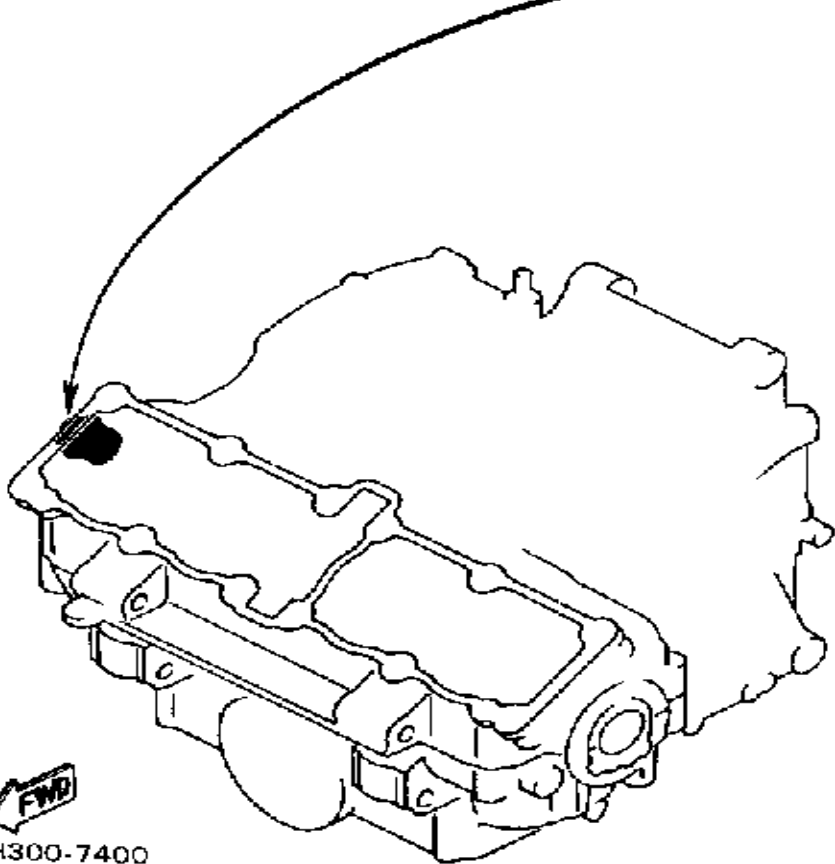


3LE332-9400

PICKUP COIL-GOVERNOR

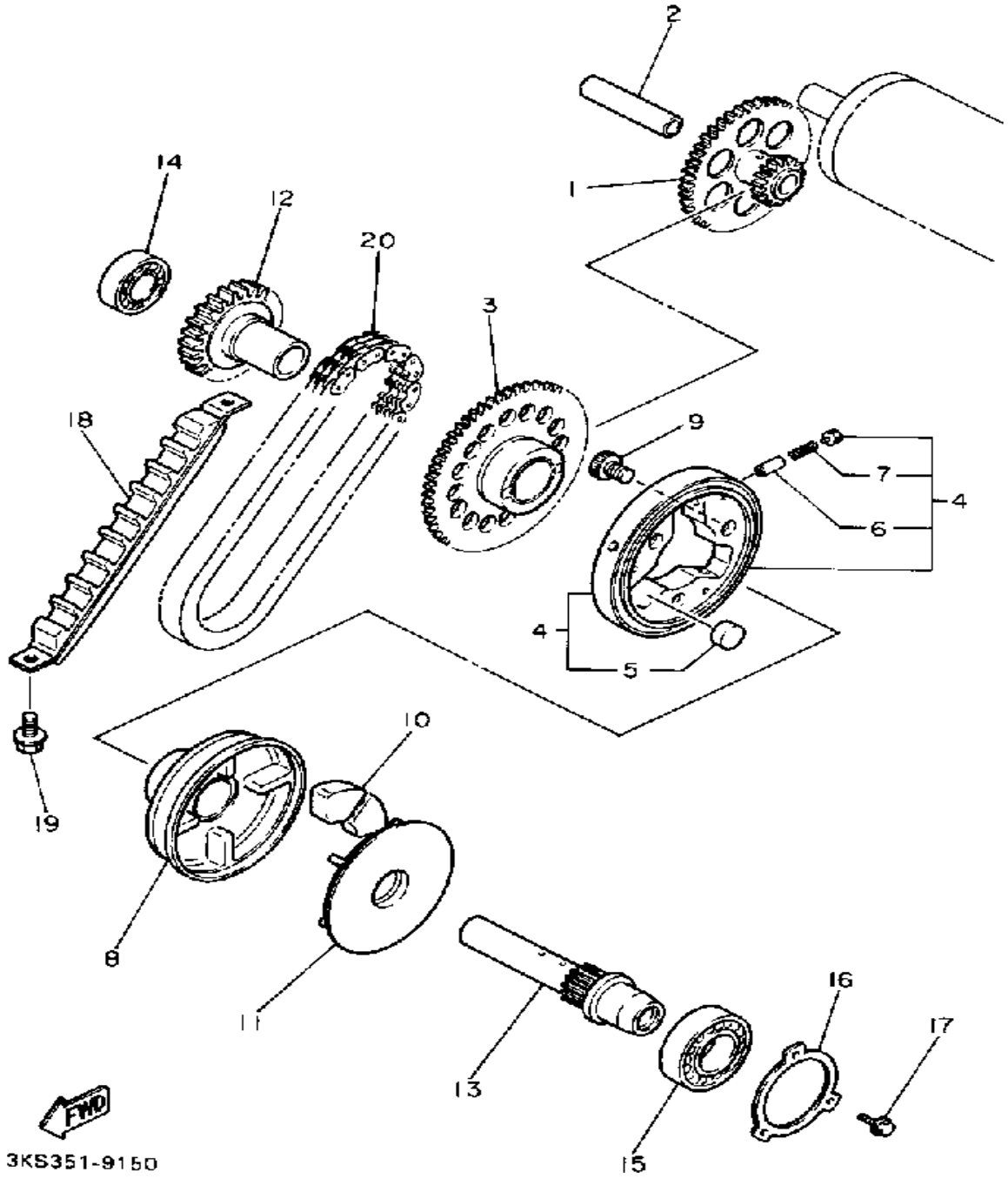


Ref. No.	Part Number	Description	Qty	Remarks
1	3GM-81670-00-00	PICK-UP ASSEMBLY	1	
2	93210-19216-00	O-RING	1	
3	95023-06012-00	BOLT, FLANGE	1	



2GH300-7400

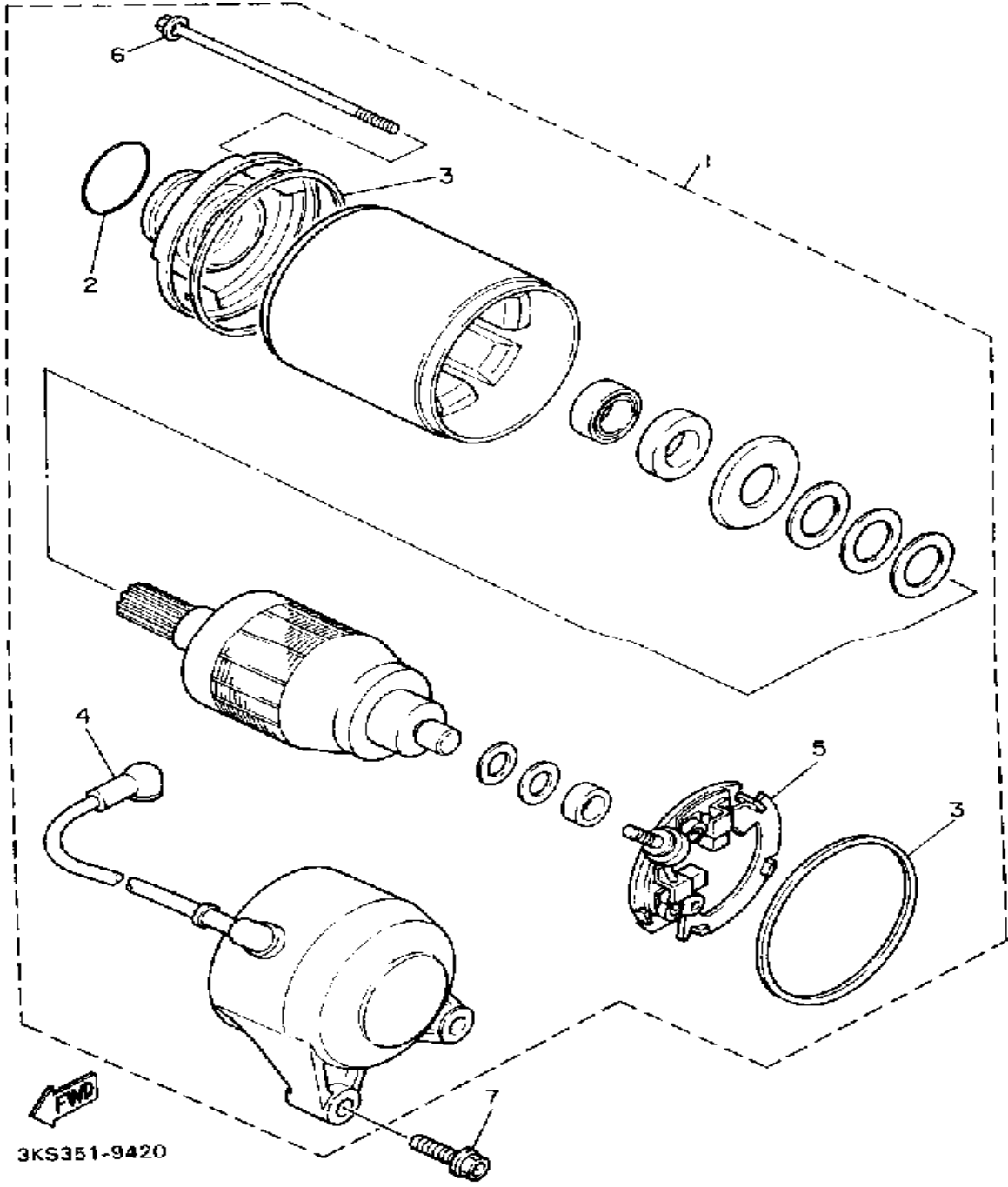
STARTER



3KS351-9150

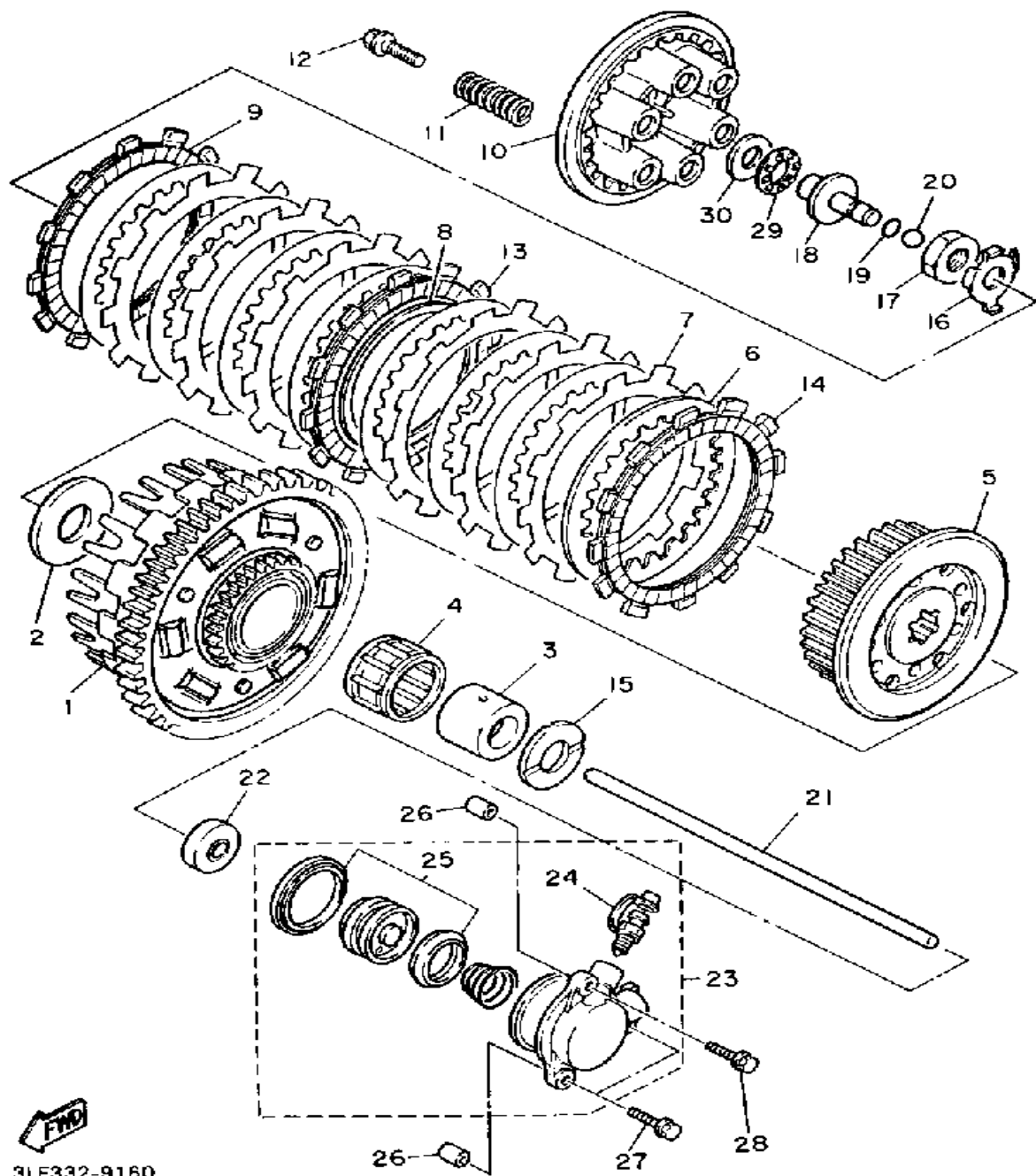
Ref. No.	Part Number	Description	Qty	Remarks
1	3GM-15512-00-00	GEAR, IDLER 1	1	
2	51Y-15521-00-00	SHAFT 1	1	
3	4BH-15517-00-00	GEAR, IDLER 2	1	
4	3GM-15580-00-00	STARTER CLUTCH OUTER ASSEMBLY	1	
5	93615-12088-00	. PIN, DOWEL	3	
6	1J7-15583-01-00	. CAP, STARTER CLUTCH SPRING	3	
7	90501-04623-00	. SPRING, COMPRESSION	3	
8	3GM-15524-00-00	WHEEL, STARTER	1	
9	90110-08177-00	BOLT, HEXAGON SOCKET HEAD	3	
10	4H7-16155-01-00	ABSORBER 1	4	
11	3GM-15689-00-00	RETAINER	1	
12	3GM-15519-00-00	SPROCKET, STARTER 2	1	
13	3GM-15522-00-00	SHAFT 2	1	
14	93306-20335-00	BEARING	1	
15	93306-20541-00	BEARING (B6205)	1	
16	1AE-15381-00-00	PLATE, BEARING COVER	1	
17	95026-06016-00	BOLT, FLANGE	3	
18	3GM-11474-00-00	GUIDE, UPPER	1	
19	95816-06014-00	BOLT, FLANGE	2	
20	36Y-11456-00-00	CHAIN, PRIMARY	1	

STARTING MOTOR



Ref. No.	Part Number	Description	Qty	Remarks
1	3KS-81800-02-00	STARTING MOTOR ASSEMBLY	1	
2	26H-81847-00-00	. O-RING	1	
3	11H-81844-00-00	. GASKET	2	
4	2KT-81815-00-00	. CORD, STARTER MOTOR	1	
5	3KS-81840-00-00	. BRUSH HOLDER ASSEMBLY	1	
6	3HE-81826-00-00	. BOLT	2	
7	95811-06025-00	BOLT, FLANGE	2	

CLUTCH

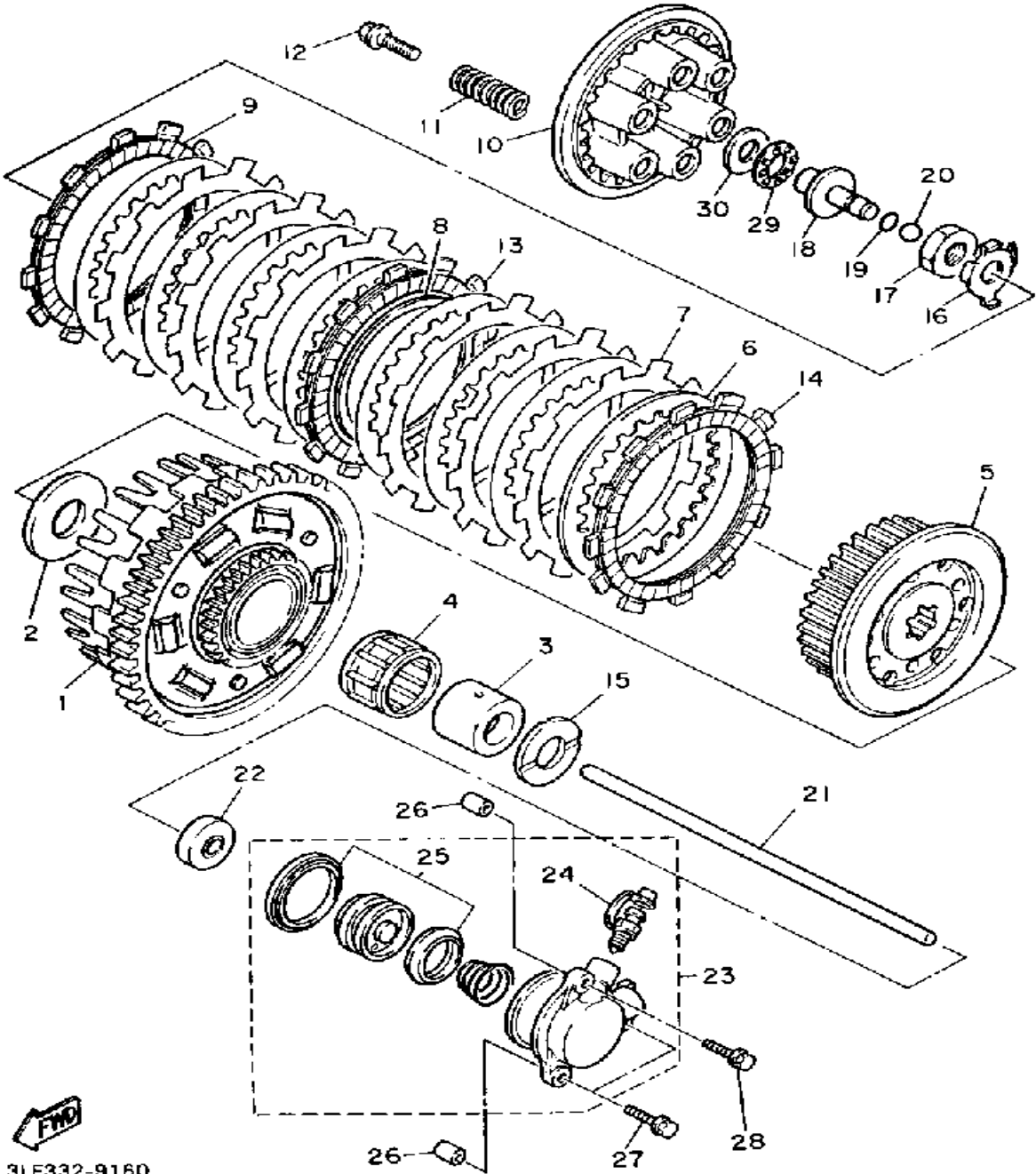


3LE332-9160

Ref. No.	Part Number	Description	Qty	Remarks
1	3GM-16150-01-00	PRIMARY DRIVEN GEAR COMP.	1	
2	1AE-16154-00-00	PLATE, THRUST 1	1	
3	90560-25270-00	SPACER	1	
4	93310-340N8-00	BEARING, CYLINDRICAL	1	
5	4BH-16371-00-00	BOSS, CLUTCH	1	
6	31A-16325-00-00	PLATE, CLUTCH 2	8	
7	4H7-16321-01-00	PLATE, FRICTION	6	
8	5Y1-16383-00-00	SPRING, CLUTCH BOSS	1	
9	31A-16321-00-00	PLATE, FRICTION	1	
10	3GM-16351-00-00	PLATE, PRESSURE 1	1	
11	90501-230E4-00	SPRING, COMPRESSION	6	
12	90159-06123-00	SCREW, WITH WASHER	6	
13	5Y1-16331-01-00	PLATE, FRICTION 2	1	
14	3GM-16321-00-00	PLATE, FRICTION	1	
15	1AE-16164-00-00	PLATE, THRUST 2	1	
16	90215-20231-00	WASHER, LOCK	1	
17	90170-20327-00	NUT	1	
18	1LJ-16356-00-00	ROD, PUSH 1	1	
19	93210-06632-00	O-RING	1	
20	93511-32027-00	BALL	1	
21	1AE-16357-00-00	ROD, PUSH 2	1	
22	93109-08061-00	OIL SEAL	1	
23	1TV-16381-10-00	PUSH LEVER COMP.	1	
24	36Y-W0048-00-00	. BLEED SCREW KIT	1	
25	26H-W0098-00-00	. PUSH LEVER SEAL KIT	1	
26	99510-08012-00	PIN, DOWEL	2	
27	95026-06030-00	BOLT, FLANGE	2	
28	95026-06090-00	BOLT, FLANGE	1	

CONTINUED ON NEXT FRAME ►

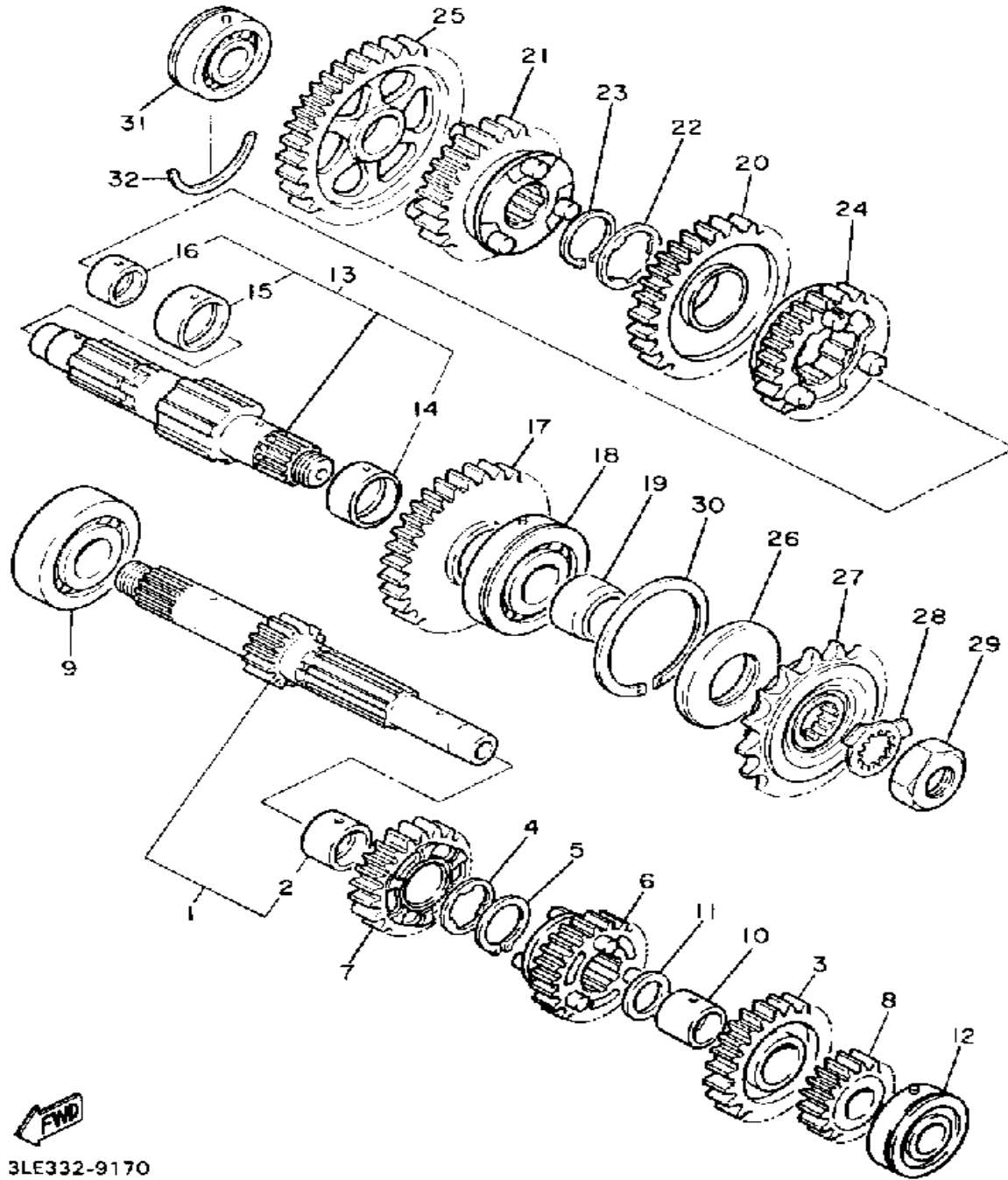
CLUTCH



3LE332-9160

Ref. No.	Part Number	Description	Qty	Remarks
29	93340-21505-00	BEARING	1	
30	90201-150H2-00	WASHER, PLATE	1	

TRANSMISSION

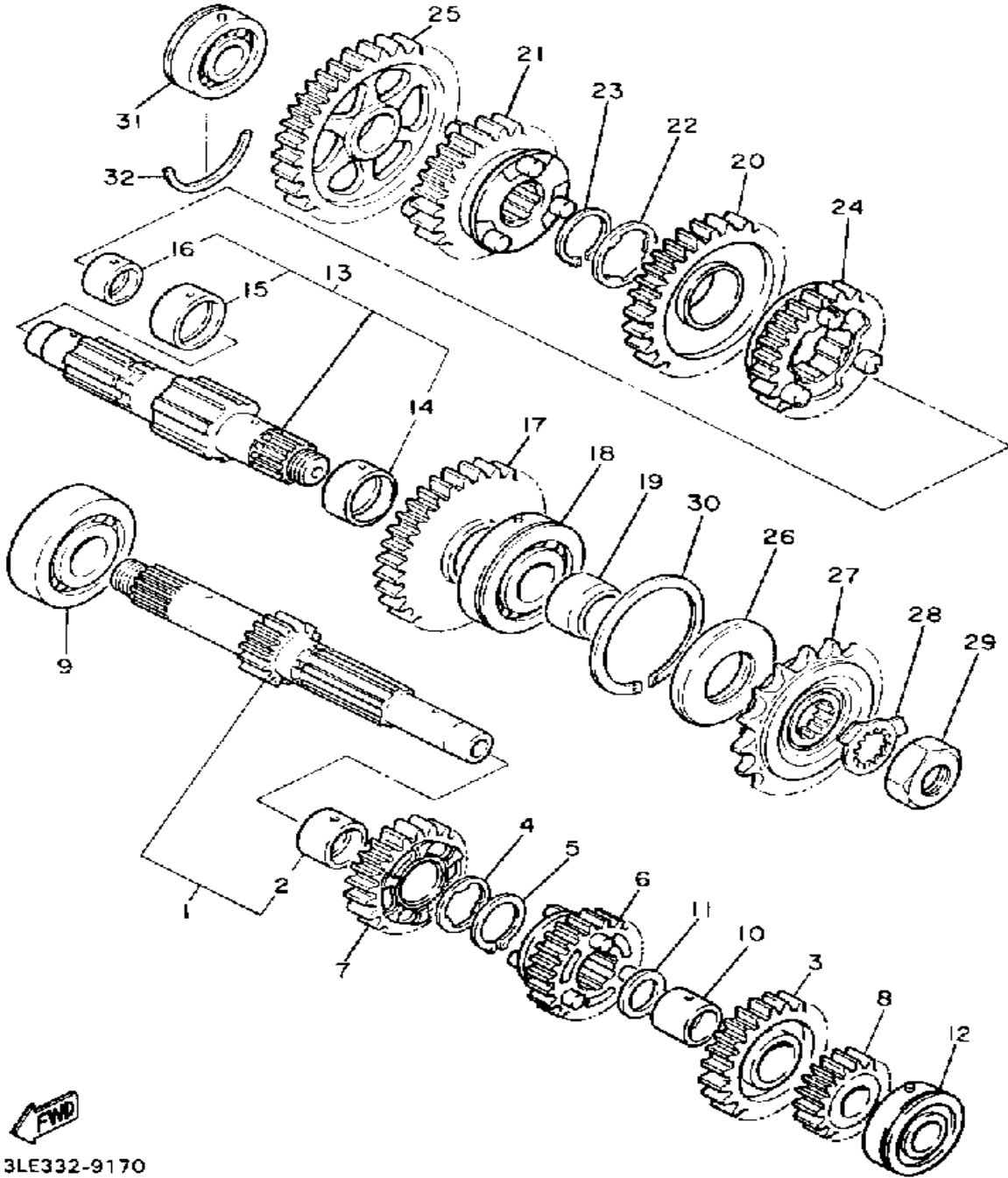


3LE332-9170

Ref. No.	Part Number	Description	Qty	Remarks
1	2GH-W1741-00-00	MAIN AXLE ASSEMBLY (14T)	1	
2	90387-253M6-00	. COLLAR	1	
3	2GH-17151-00-00	GEAR, 5TH PINION (27T)	1	
4	90209-22191-00	WASHER	1	
5	93440-25084-00	CIRCLIP	1	
6	2GH-17131-00-00	GEAR, 3RD PINION (21T)	1	
7	2GH-17141-00-00	GEAR, 4TH PINION (23T)	1	
8	2GH-17121-00-00	GEAR, 2ND PINION (18T)	1	
9	93306-30525-00	BEARING (B6305)	1	
10	90387-203M7-00	COLLAR	1	
11	90201-200K3-00	WASHER, PLATE	1	
12	93306-20455-00	BEARING	1	
13	3GM-W1742-00-00	DRIVE AXLE ASSEMBLY	1	
14	90387-271T7-00	. COLLAR	1	
15	90387-281T8-00	. COLLAR	1	
16	90387-211T9-00	. COLLAR	1	
17	3GM-17221-00-00	GEAR, 2ND WHEEL (32T)	1	
18	93305-30501-00	BEARING	1	
19	90387-255V9-00	COLLAR	1	
20	3GM-17231-00-00	GEAR, 3RD WHEEL (29T)	1	
21	3GM-17241-00-00	GEAR, 4TH WHEEL (27T)	1	
22	90209-25196-00	WASHER	1	
23	93440-28062-00	CIRCLIP	1	
24	3GM-17251-00-00	GEAR, 5TH WHEEL (28T)	1	
25	2GH-17211-01-00	GEAR, 1ST WHEEL	1	
26	93102-35423-00	OIL SEAL	1	
27	2GH-17460-11-00	SPROCKET, DRIVE 17T (2GH1746170)	1	
28	90215-21022-00	WASHER, LOCK	1	

CONTINUED ON NEXT FRAME ►

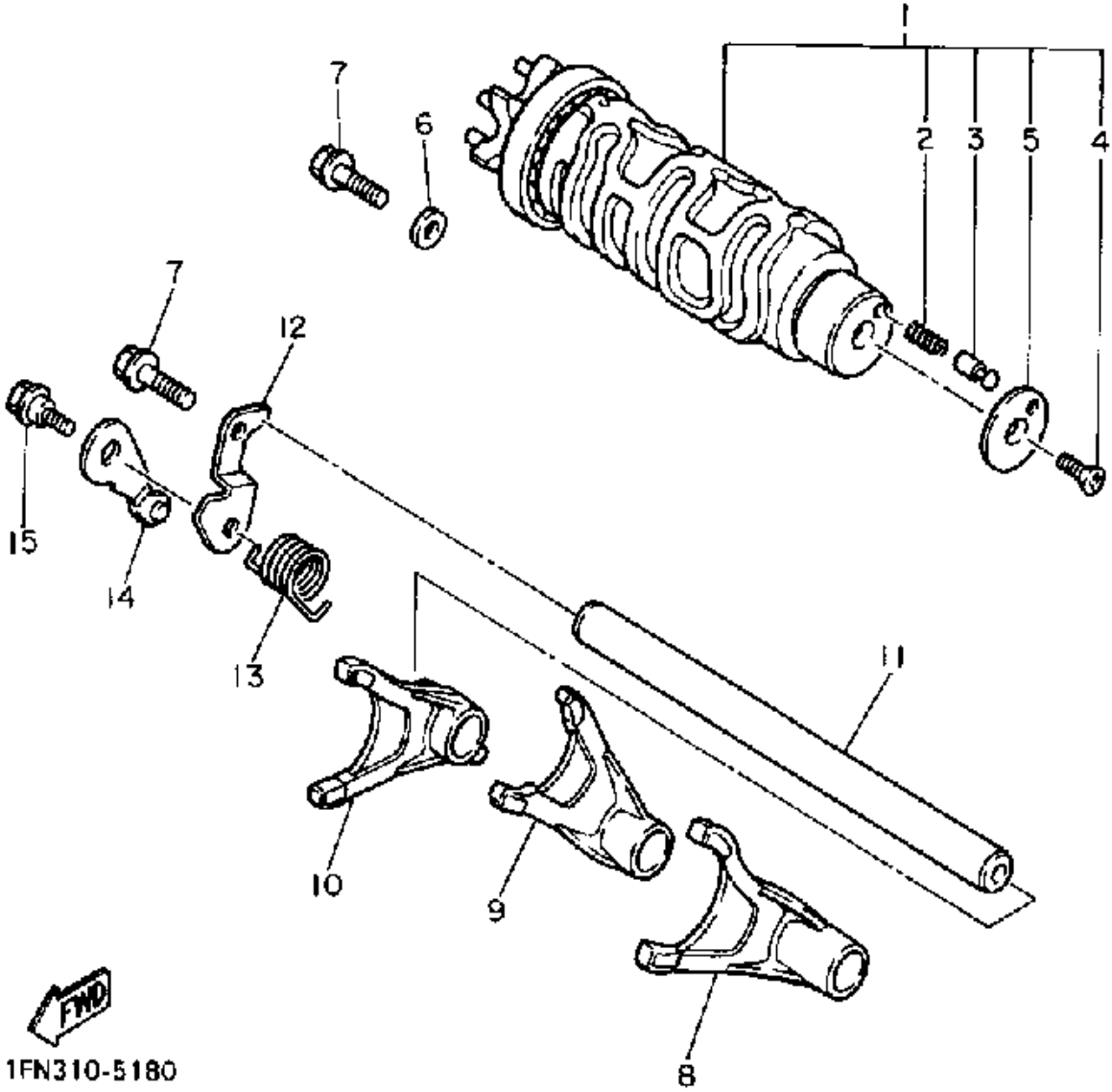
TRANSMISSION



Ref. No.	Part Number	Description	Qty	Remarks
29	90179-18020-00	NUT	1	
30	278-17424-01-00	CIRCLIP 1	1	
31	93306-20455-00	BEARING	1	
32	93440-45144-00	CIRCLIP	1	


3LE332-9170

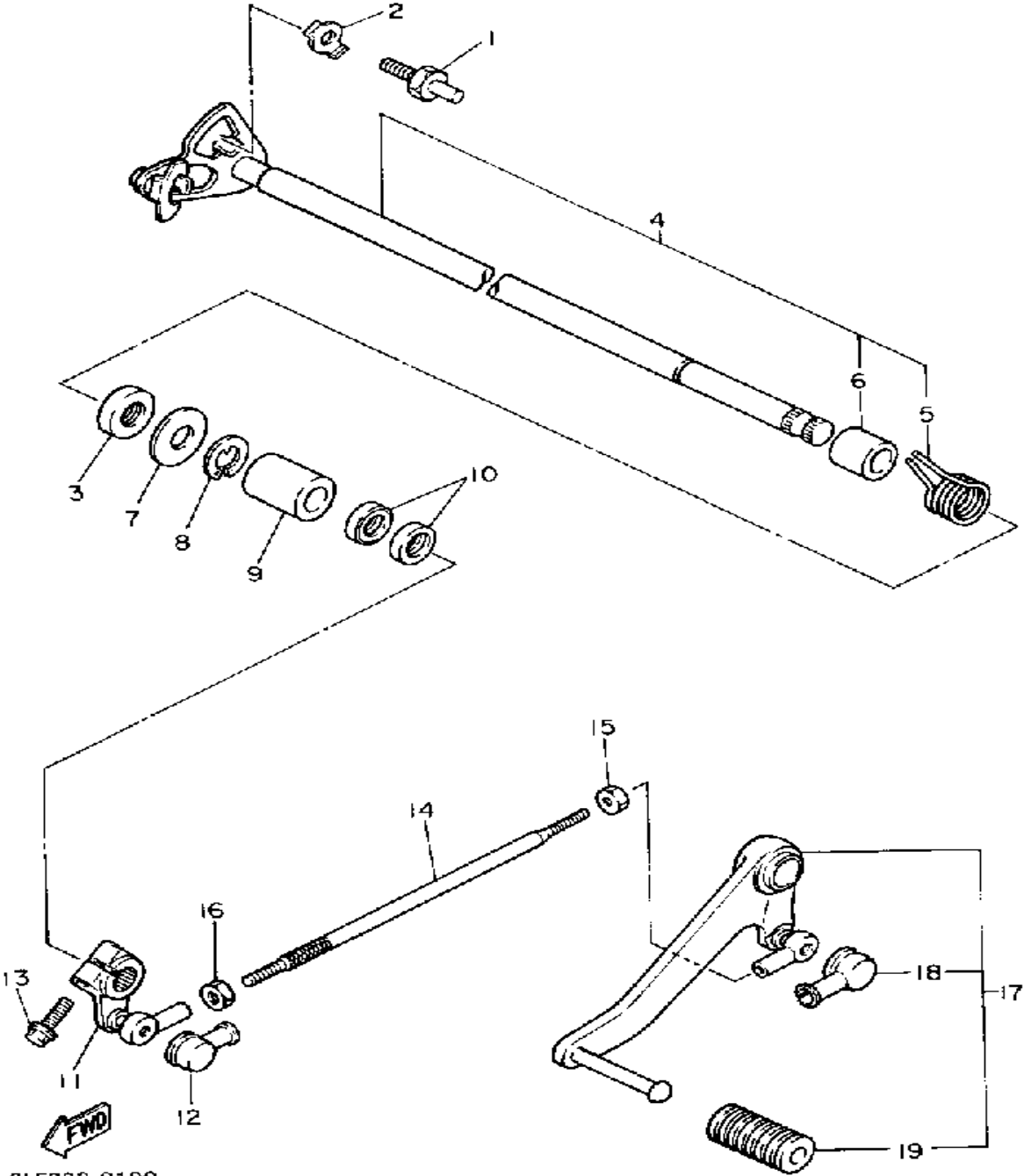
SHIFT CAM-FORK



Ref. No.	Part Number	Description	Qty	Remarks
1	2GH-18540-00-00	SHIFT CAM ASSEMBLY	1	
2	90501-06022-00	. SPRING, COMPRESSION	1	
3	278-18542-00-00	. POINT, NEUTRAL	1	
4	98701-05012-00	. SCREW, FLAT HEAD	1	
5	278-18566-00-00	. PLATE, SIDE 2	1	
6	90201-06643-00	WASHER, PLATE	1	
7	95811-06016-00	BOLT, FLANGE (95822-06016)	2	
8	2GH-18511-00-00	FORK, SHIFT 1	1	
9	2GH-18512-00-00	FORK, SHIFT 2	1	
10	2GH-18513-00-00	FORK, SHIFT 3	1	
11	12R-18531-00-00	BAR, SHIF FRK GDE 1	1	
12	1AE-18536-00-00	STOPPER, SHIFT BAR	1	
13	90508-26681-00	SPRING, TORSION	1	
14	36Y-18140-00-00	STOPPER LEVER ASSEMBLY	1	
15	90109-063F8-00	BOLT	1	

1FN310-5180

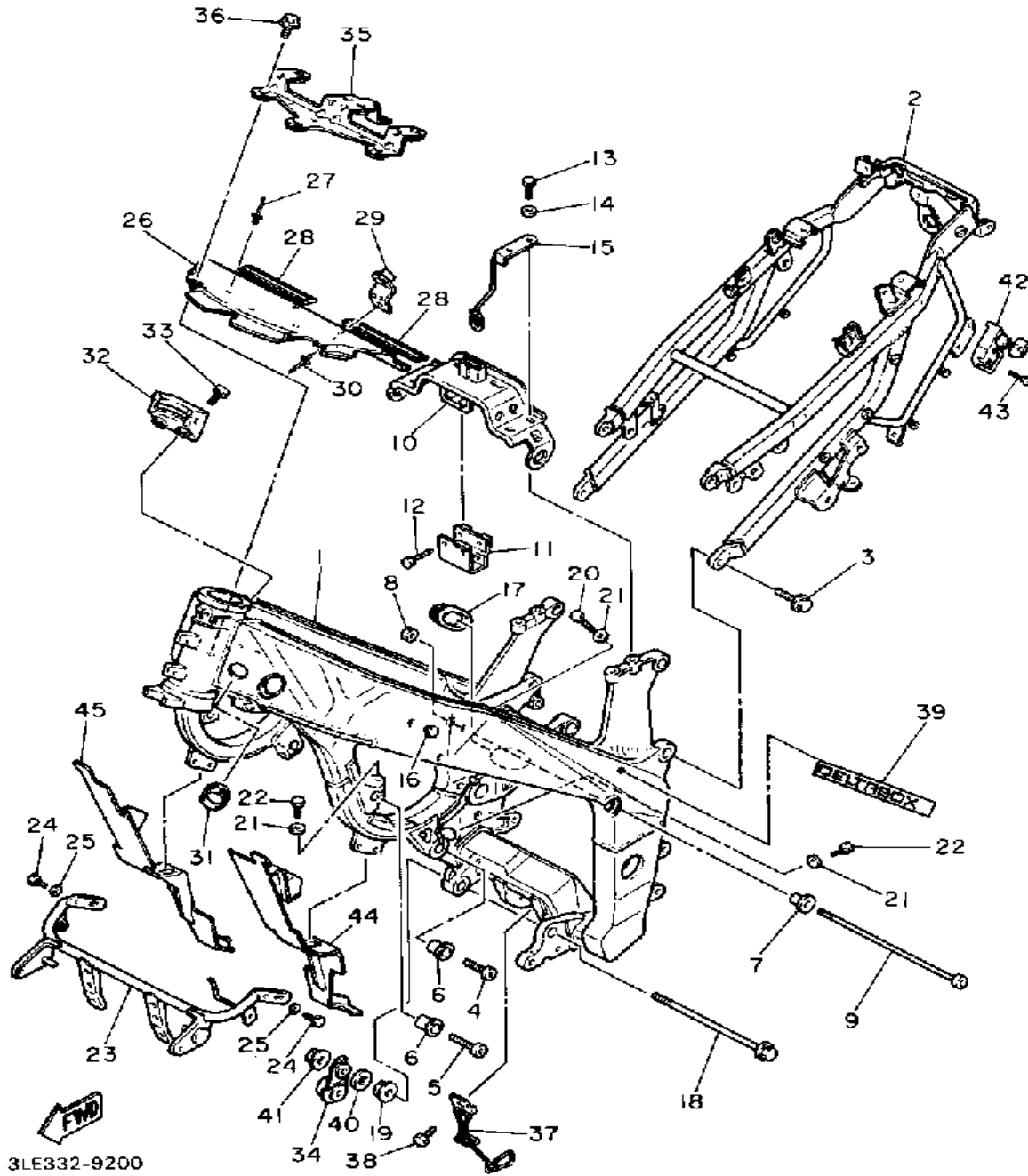
SHIFT SHAFT



3LE332-9190

Ref. No.	Part Number	Description	Qty	Remarks
1	4G0-18127-00-00	STOPPER, SCREW	1	
2	90215-08115-00	WASHER, LOCK	1	
3	93102-12321-00	OIL SEAL, SD-TYPE	1	
4	1AE-18101-01-00	SHIFT SHAFT ASSEMBLY	1	
5	90508-32682-00	. SPRING, TORSION	1	
6	90387-114K8-00	. COLLAR	1	
7	90201-12575-00	WASHER, PLATE	1	
8	99006-10600-00	CIRCLIP	1	
9	90560-12191-00	SPACER	1	
10	93109-12053-00	OIL SEAL (SDO 12/18/4-1)	2	
11	2GH-18112-01-00	ARM, SHIFT	1	
12	2H9-18154-00-00	COVER, DUST	1	
13	95826-06020-00	BOLT, flange (95806-06020-00)	1	
14	46X-18115-00-00	ROD, SHIFT	1	
15	90170-06228-00	NUT (COUNTER CLOCKWISE)	1	
16	95380-06700-00	NUT	1	
17	2GH-18110-00-00	SHIFT PEDAL ASSEMBLY	1	
18	2H9-18154-00-00	. COVER, DUST	1	
19	132-18113-01-00	. COVER, SHIFT PEDAL	1	

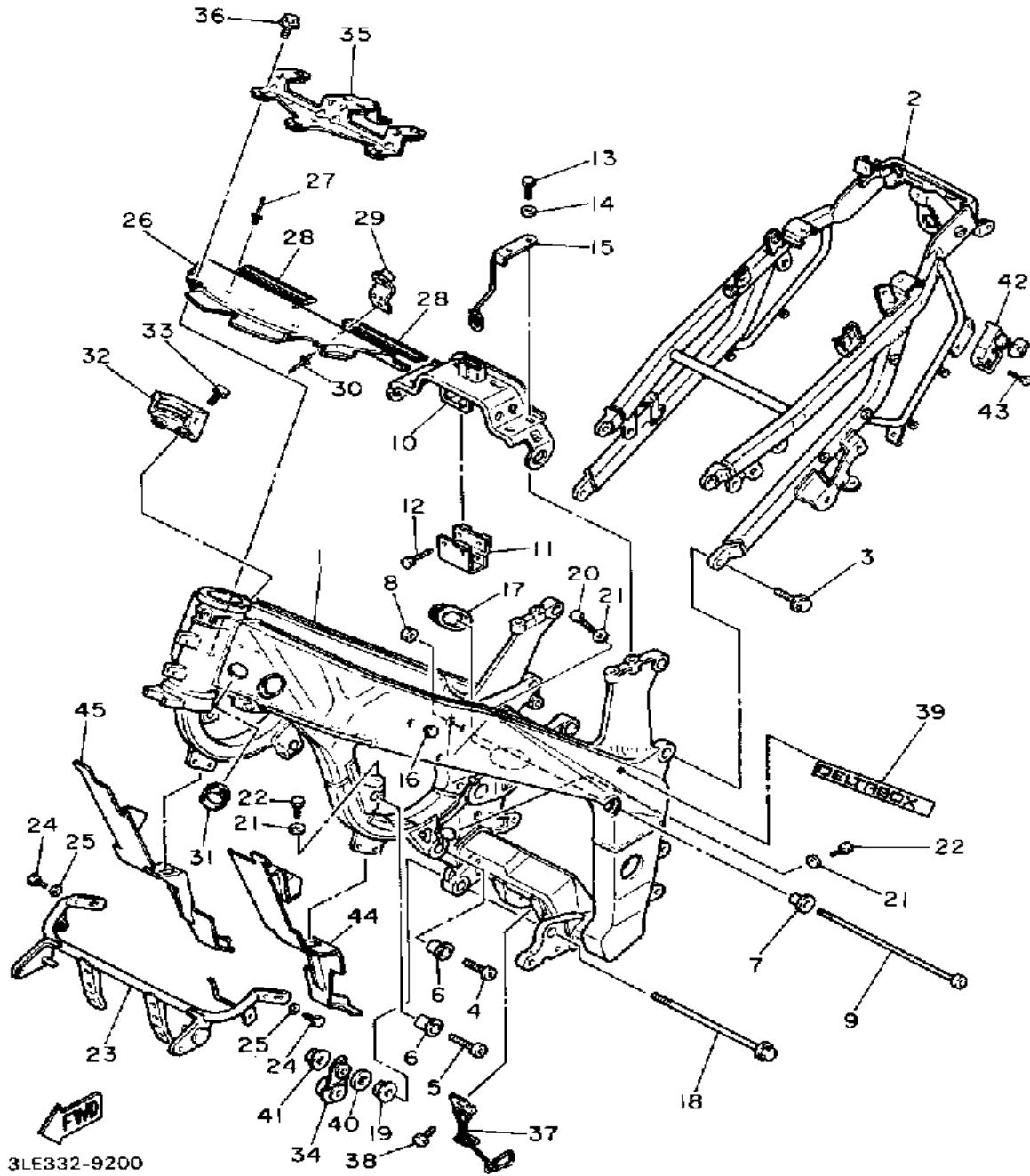
FRAME



Ref. No.	Part Number	Description	Qty	Remarks
1	3LK-21110-00-00	FRAME	1	
2	3GM-21190-00-33	FRAME, REAR	1	YAMAHA BLACK
3	90105-10459-00	BOLT, WASHER BASEDBASED	4	
4	91316-19945-00	UNAVAILABLE IN PRICE BOOK	2	
5	90110-10168-00	BOLT, HEXAGON SOCKET HEAD	2	
6	90387-115V8-00	COLLAR	4	
7	90387-105V7-00	COLLAR	1	
8	90179-10590-00	NUT	1	
9	90110-10169-00	BOLT, HEXAGON SOCKET HEAD	1	
10	3GM-21348-01-00	BRACKET, TANK FTNGFITTING	1	
11	3GM-21347-00-00	BRACKET, TANK FITTING	1	
12	97001-06035-00	BOLT	2	
13	97013-06012-00	BOLT	4	
14	92990-06600-00	WASHER, PLATE	4	
15	3GM-21548-00-00	CLAMP	1	
16	90338-15202-00	PLUG	3	
17	2GH-2117T-00-00	COVER 5	1	
18	90105-10559-00	BOLT, WASHER BASED	1	
19	90179-10247-00	NUT	1	
20	97006-08035-00	BOLT	2	
21	92990-08200-00	WASHER, PLAIN	6	
22	97021-08035-00	BOLT	4	
23	3GM-2136A-00-00	BRACKET, COOLER 1COOLER 1	1	
24	97013-06012-00	BOLT	4	
25	92990-06600-00	WASHER, PLATE	4	
26	3GM-2117M-00-00	COVER 2	1	
27	90267-40076-00	RIVET, BLIND	4	

CONTINUED ON NEXT FRAME ►

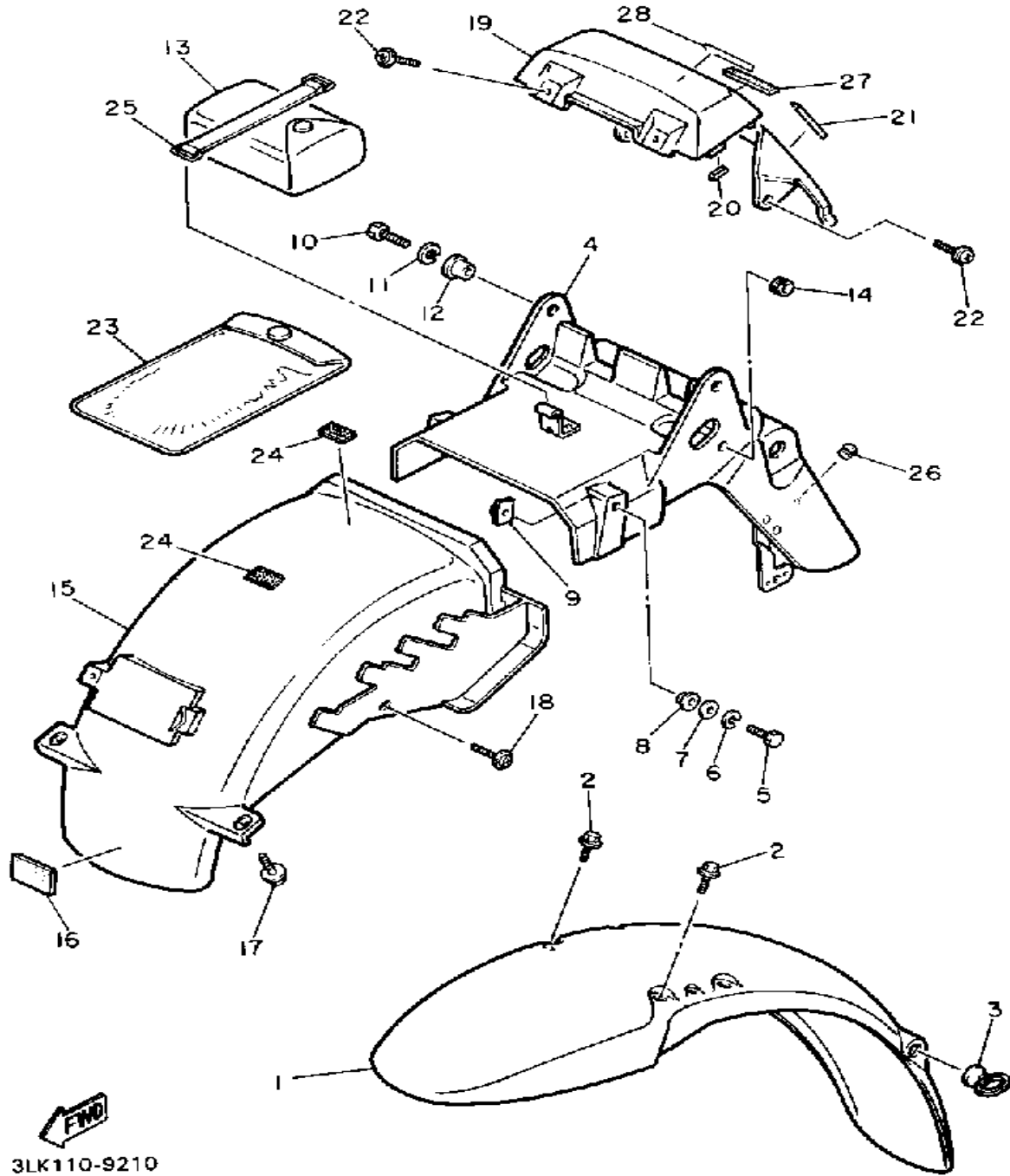
FRAME



Ref. No.	Part Number	Description	Qty	Remarks
28	2GH-15365-00-00	GROMMET	2	
29	3GM-2117A-00-00	STAY	2	
30	90267-40054-00	RIVET, BLIND	2	
31	90480-35526-00	GROMMET	2	
32	3GM-21345-00-00	BRACKET, TANK FTNGFITTING	1	
33	91316-08016-00	BOLT, SOCKET HEAD	2	
34	3GM-21446-02-00	STAY, MUFFLER 2	1	
35	3GM-21359-00-00	BRACKET, COIL	1	
36	90119-06114-00	BOLT, WITH WASHER	3	
37	3GM-21149-00-00	BRACKET, BATTERY BOX ...	1	
38	91026-06010-00	BOLT	1	
39	1RK-2118E-00-00	EMBLEM	2	
40	90201-101J1-00	WASHER, PLATE	1	
41	95701-10500-00	NUT, FLANGE (95702-10500) ..	1	
42	26H-21308-00-00	HELMET HANGER ASSEMBLY (4R8-21308-00)	1	
43	90149-06150-00	SCREW	1	
44	3GM-28396-00-00	PLATE 1	1	
45	3GM-28397-00-00	PLATE 2	1	

3LE332-9200

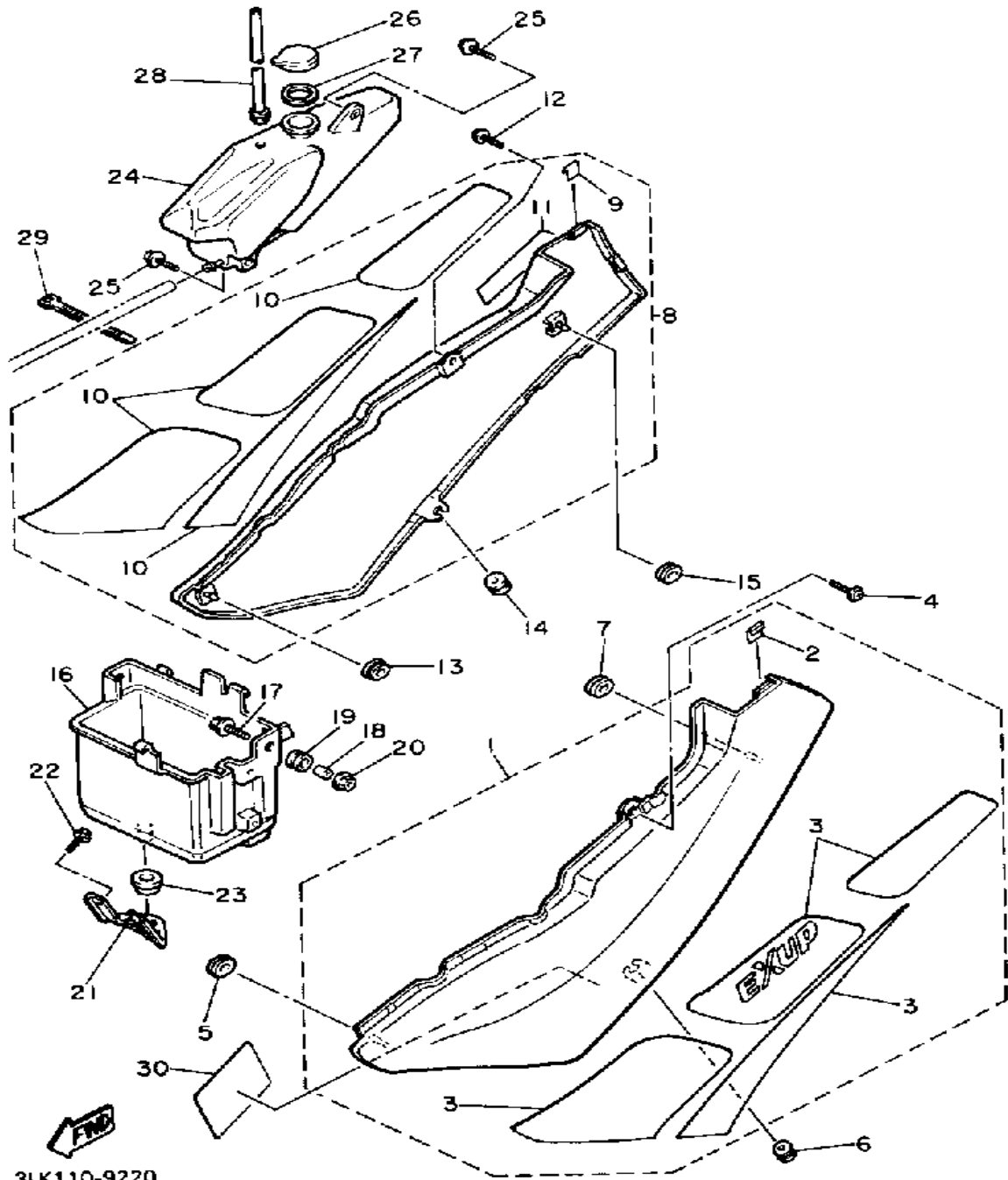
FENDER



3LK110-9210

Ref. No.	Part Number	Description	Qty	Remarks
1	3GM-W2151-00-GE	FRONT FENDERCOMP.	1	SILKY WHT
2	90105-06564-00	BOLT, WASHER BASED	4	
3	1A8-21518-00-00	HOLDER, CABLE	1	
4	3LK-W2161-01-00	REAR FENDER	1	
5	97011-06020-00	BOLT	2	
6	92995-06100-00	WASHER, SPRING	2	
7	92901-06600-00	WASHER	2	
8	90387-061M0-00	COLLAR	2	
9	31A-14477-00-00	PLATE	2	
10	97313-06016-00	BOLT, HEXAGON	2	
11	92995-06100-00	WASHER, SPRING	2	
12	90387-06648-00	COLLAR	2	
13	3GM-28100-00-00	TOOL KIT	1	
14	90480-10258-00	GROMMET	2	
15	3GM-21629-00-00	GUARD, MUD	1	
16	2JG-21638-00-00	DAMPER 1	1	
17	90119-06052-00	BOLT, WITH WASHER	2	
18	90159-06056-00	SCREW, WITH WASHER	1	
19	3GM-21651-00-GE	COVER, REAR FENDERFENDER	1	SILKY WHT
20	2GH-21732-00-00	SEAL 1	2	
21	2GH-21735-00-00	SEAL 2	2	
22	90159-06042-00	SCREW, WITH WASHER	4	
23	4K5-28186-00-00	POUCH	1	
24	4K5-2814E-10-00	HOOK	2	
25	122-82131-00-00	BAND, BATTERY	1	
26	4G0-21639-00-00	DAMPER 2	1	
27	J44-78248-00-00	SEAL 4	1	
28	99233-00020-00	EMBLEM, YAMAHA	1	

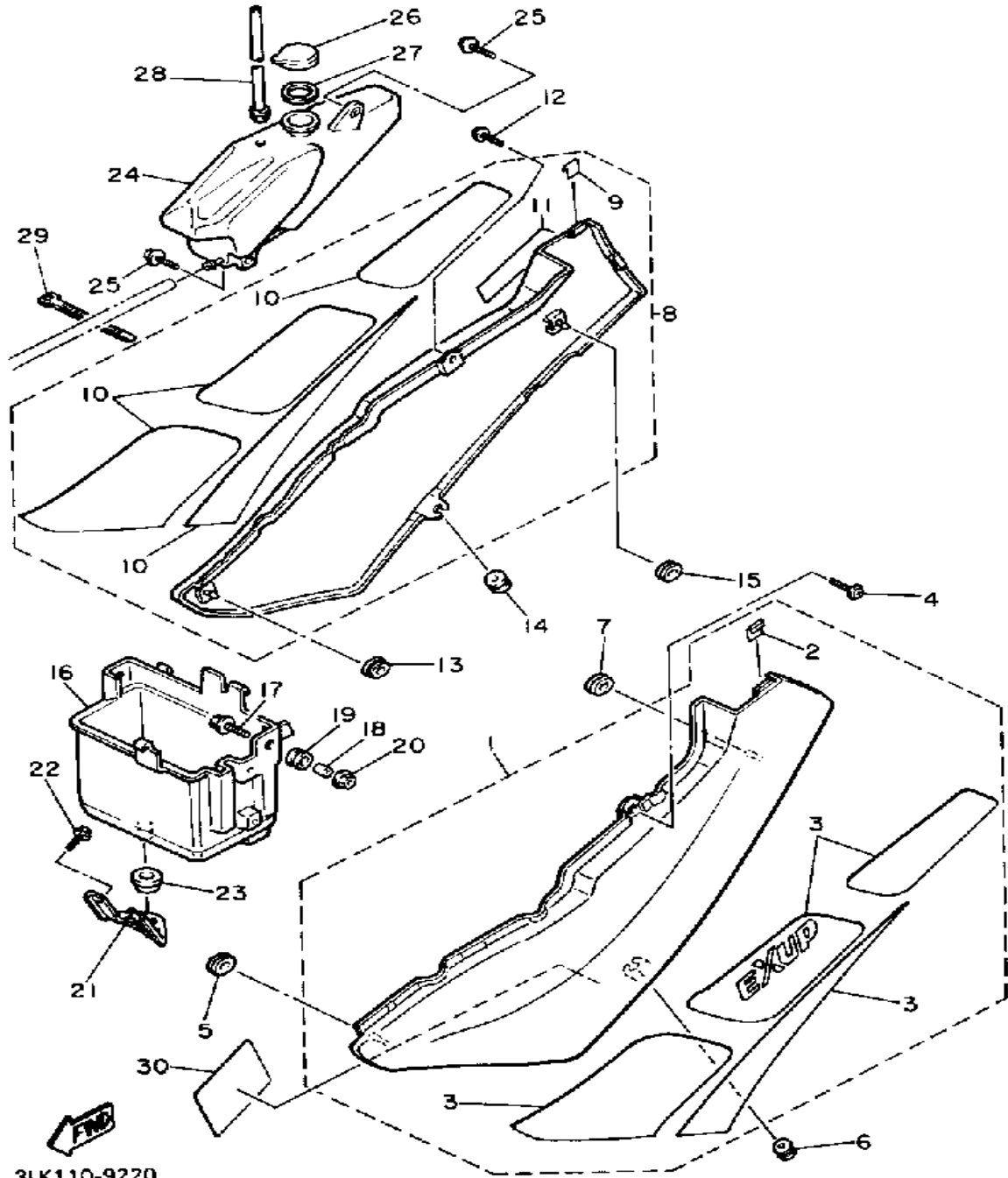
SIDE COVER



Ref. No.	Part Number	Description	Qty	Remarks
1	3GM-Y2171-00-GE	SIDE COVER ASSEMBLY 2	1	SILKY WHT
2	2GH-21732-00-00	. SEAL 1	1	
3	3GM-2173L-00-00	. GRAPHIC SET 1	1	
4	90159-06033-00	SCREW, WITH WASHER	1	
5	90480-14074-00	GROMMET	1	
6	90480-12320-00	GROMMET	1	
7	90480-22084-00	GROMMET	1	
8	3GM-Y2172-00-GE	COVER, SIDE 2	1	SILKY WHT
9	2GH-21732-00-00	. SEAL 1	1	
10	3GM-2174L-00-00	. GRAPHIC SET 2	1	
11	3HE-21781-00-00	. EMBLEM 1	1	
12	90159-06033-00	SCREW, WITH WASHER	1	
13	90480-14074-00	GROMMET	1	
14	90480-12320-00	GROMMET	1	
15	90480-22084-00	GROMMET	1	
16	3GM-21240-00-00	BOX	1	
17	90119-06097-00	BOLT, WITH WASHER	2	
18	90387-060A7-00	COLLAR	2	
19	90480-16233-00	GROMMET	2	
20	95701-06500-00	NUT, FLANGE	2	
21	3GM-21249-00-00	BRACKET	1	
22	95811-06012-00	BOLT, FLANGE	2	
23	90480-23192-00	GROMMET	1	
24	2GH-21871-00-00	TANK, RECOVERY	1	
25	90159-06056-00	SCREW, WITH WASHER	2	
26	4L0-21875-00-00	CAP	1	
27	1AA-21874-00-00	GASKET	1	
28	3GM-21816-00-00	PIPE 1	1	
29	437-83936-11-00	BAND, SWITCH CORD	1	

CONTINUED ON NEXT FRAME ➤

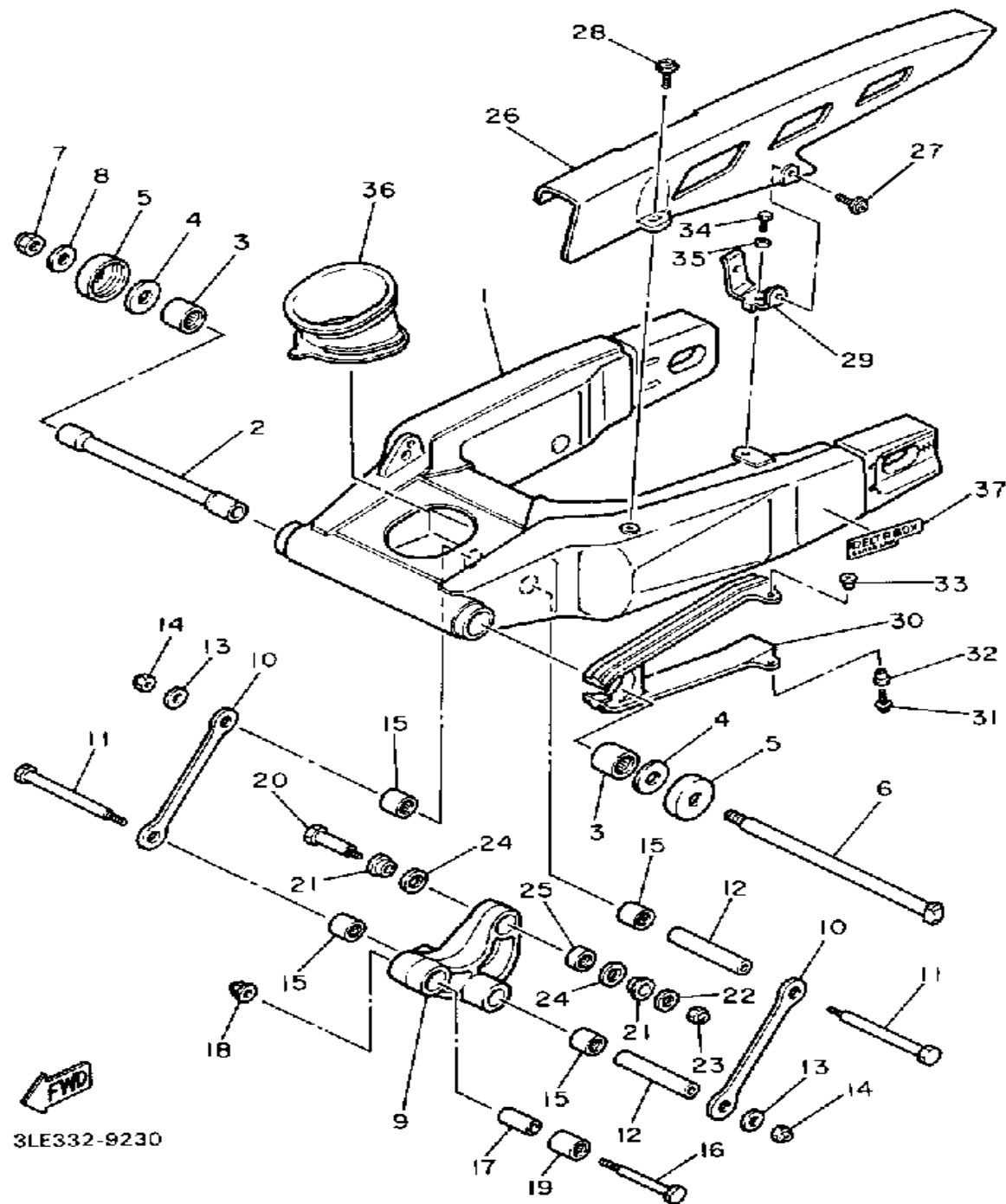
SIDE COVER



3LK110-9220

Ref. No.	Part Number	Description	Qty	Remarks
30	3LK-2179R-00-00	PLATE, EPA CAL 2	1	
	3LK-2179V-00-00	PLATE, EPA U 9	1	UR

SWING ARM

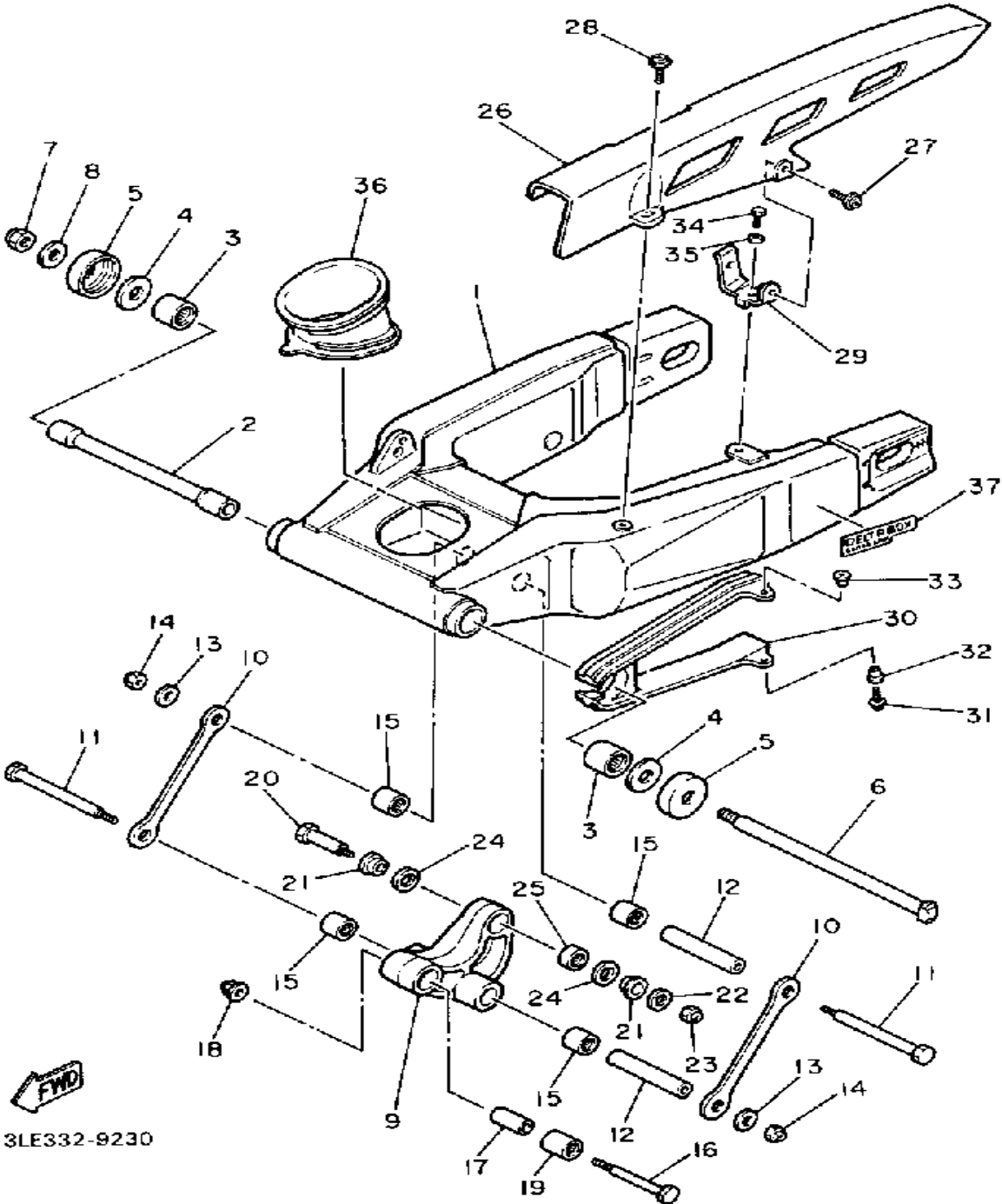


3LE332-9230

Ref. No.	Part Number	Description	Qty	Remarks
1	3GM-22110-00-00	REAR ARM COMP.	1	
2	3GM-22184-00-00	BUSH	1	
3	93317-52865-00	BEARING, CYLINDRICAL	2	
4	3GM-22127-00-00	SHIM	2	
5	3GM-22128-00-00	COVER, THRUST 1	2	
6	3GM-22141-00-00	SHAFT, PIVOT	1	
7	90185-18104-00	NUT, SELF-LOCKING	1	
8	90201-186M4-00	WASHER, PLATE	1	
9	3GM-2217A-00-00	ARM, RELAY	1	
10	3GM-2217M-00-00	ARM 1	2	
11	90101-12673-00	BOLT	2	
12	90387-126T1-00	COLLAR	2	
13	90201-126A7-00	WASHER, PLATE	2	
14	95611-12100-00	NUT, U	2	
15	93317-41761-00	BEARING	4	
16	90109-101F1-00	BOLT	1	
17	90387-100T8-00	COLLAR	1	
18	95601-10200-00	NUT, SELF-LOCKING	1	
19	93317-42060-00	BEARING	1	
20	90101-10659-00	BOLT	1	
21	90387-124W2-00	COLLAR	2	
22	90201-10437-00	WASHER, PLATE	1	
23	95611-10100-00	NUT, U	1	
24	93101-16131-00	OIL SEAL	2	
25	93399-99919-00	BEARING	1	
26	3GM-22311-00-00	CASE, CHAIN	1	
27	90159-06084-00	SCREW, WITH WASHER	1	
28	90159-06108-00	SCREW, WITH WASHER	1	
29	3GM-22321-00-00	STAY, CHAIN CASE 1	1	

CONTINUED ON NEXT FRAME ►

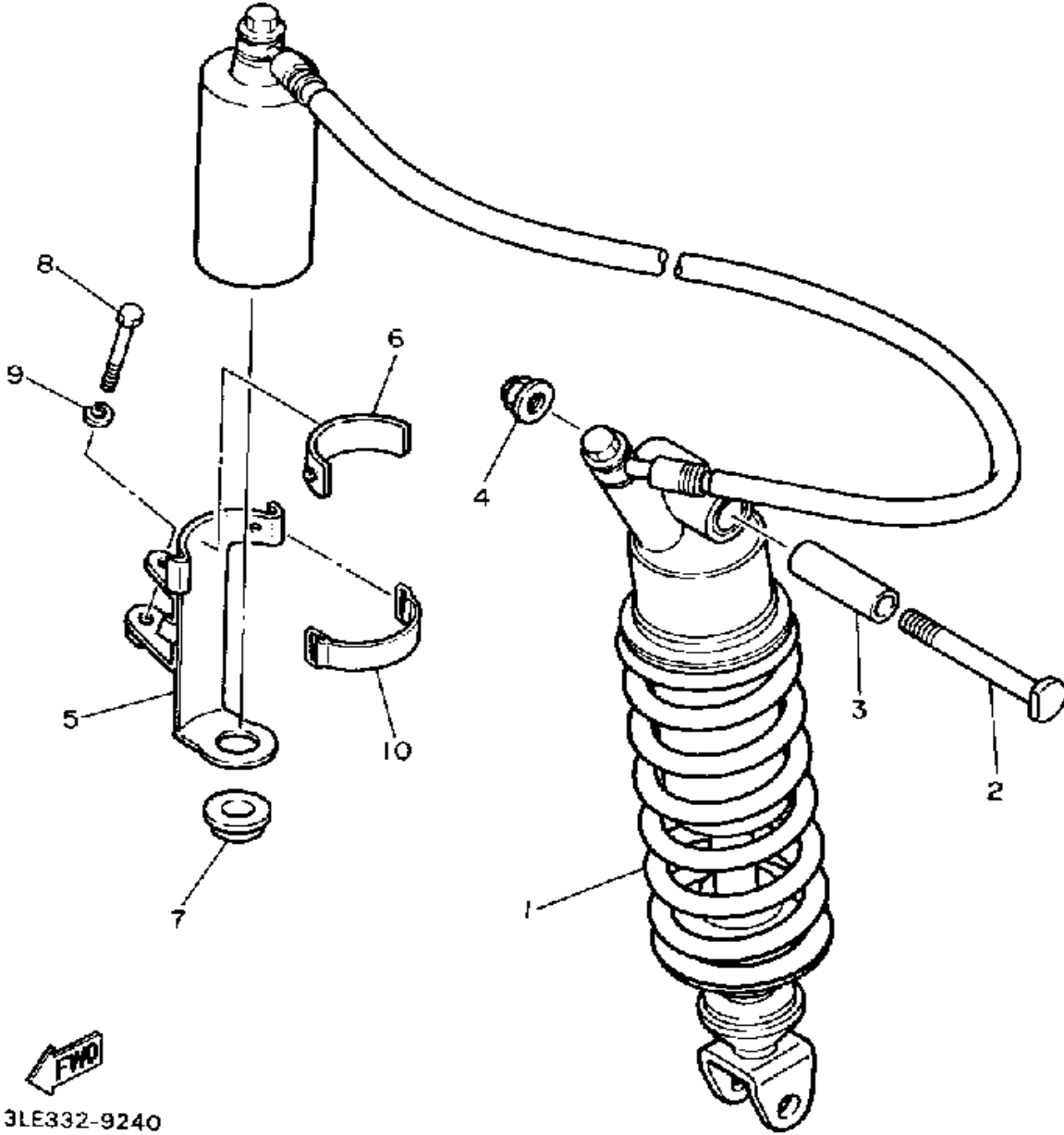
SWING ARM



Ref. No.	Part Number	Description	Qty	Remarks
30	3GM-22151-00-00	SEAL, GUARD	1	
31	90159-06108-00	SCREW, WITH WASHER	1	
32	90387-06704-00	COLLAR	1	
33	90387-06216-00	COLLAR	1	
34	97013-06012-00	BOLT	1	
35	92995-06100-00	WASHER, SPRING	1	
36	3GM-22129-00-00	COVER, THRUST 2	1	
37	3EN-2218A-51-00	EMBLEM, REAR ARM	1	

3LE332-9230

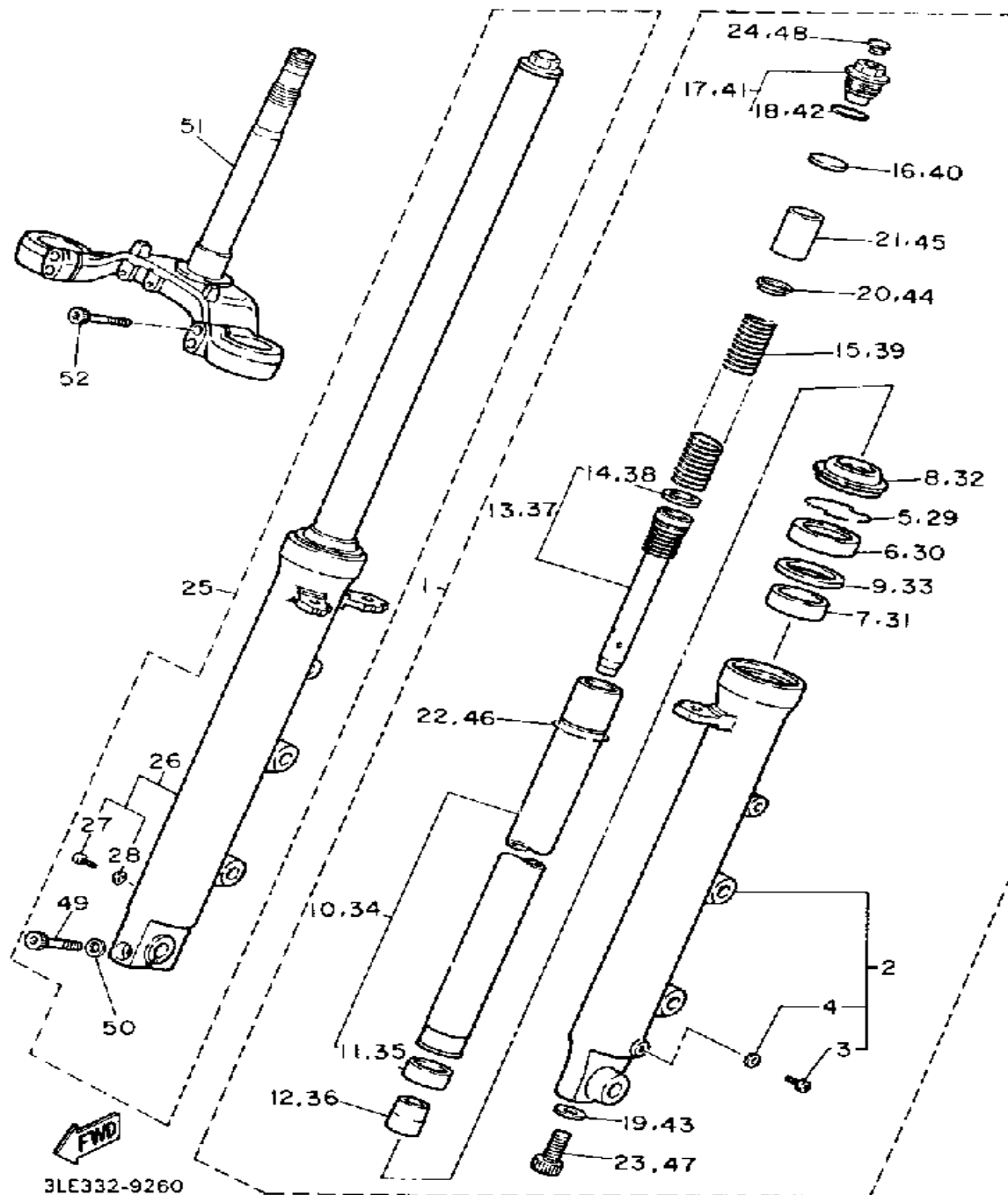
REAR SHOCKS



Ref. No.	Part Number	Description	Qty	Remarks
1	3GM-22210-00-00	SHK/ABS ASSEMBLY, REARASSEMBLY, REAR.	1	
2	90109-101F1-00	BOLT	1	
3	90387-102T0-00	COLLAR	1	
4	95601-10200-00	NUT, SELF-LOCKING	1	
5	3GM-22262-00-00	HOLDER, SUB TANK	1	
6	24X-22261-00-00	DAMPER, SUB TANK	1	
7	90480-17359-00	GROMMET	1	
8	97001-06040-00	BOLT	1	
9	92995-06100-00	WASHER, SPRING	1	
10	24X-22262-00-00	HOLDER, SUB TANK	1	

3LE332-9240

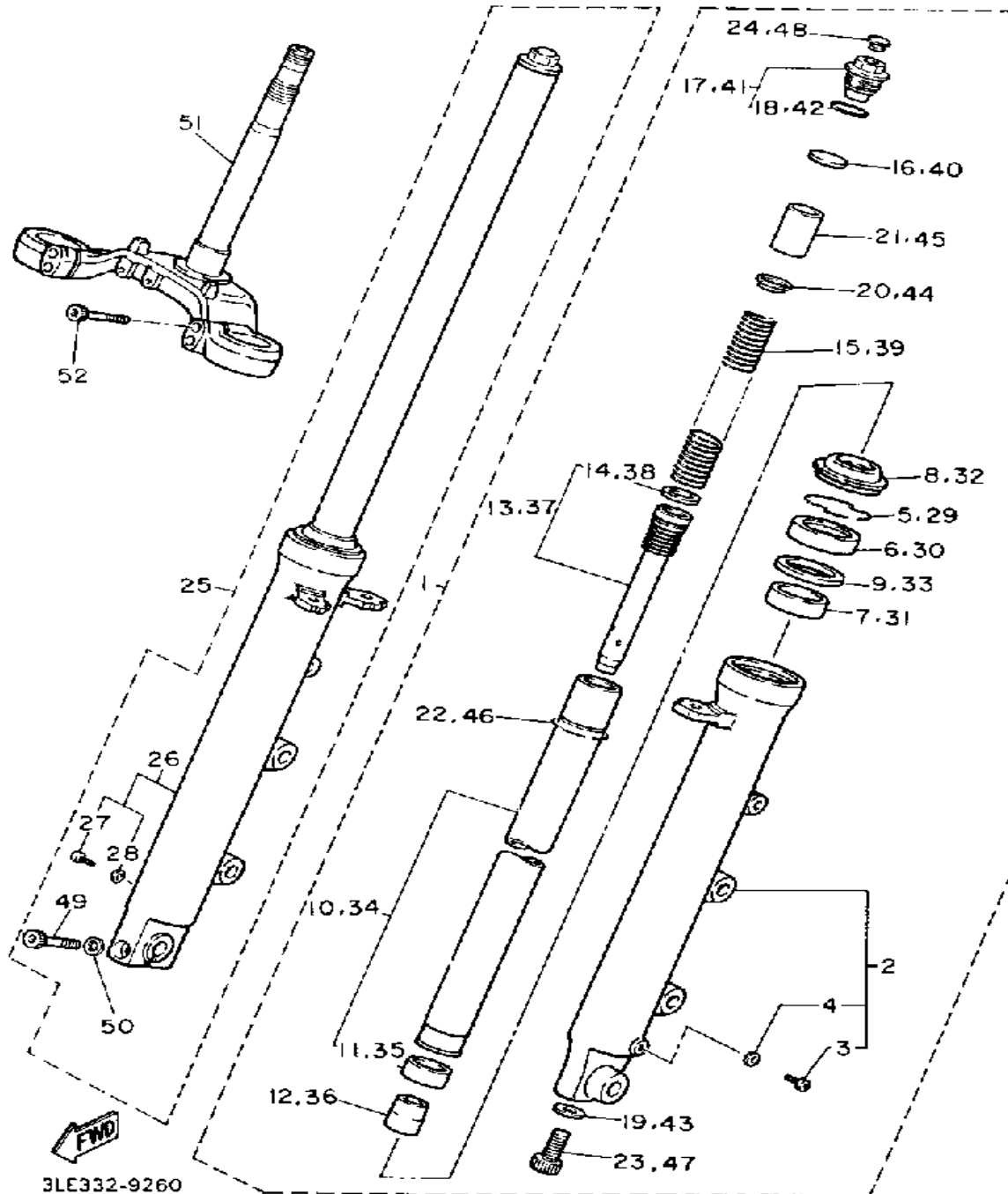
FRONT FORK



Ref. No.	Part Number	Description	Qty	Remarks
1	3GM-23102-00-00	FRONT FORK ASSEMBLY L (L.H)	1	
2	3GM-23126-00-00	. TUBE, OUTER 1	1	
3	4H7-23119-00-00	. . PLUG, DRAIN - (122-23119-01)	1	
4	122-23129-00-00	. . GASKET, DRAIN PLUG	1	
5	4V4-23153-L0-00	. RING, SNAP	1	
6	3GM-23145-00-00	. OIL SEAL	1	
7	3XJ-23125-L0-00	. METAL, SLIDE 1	1	
8	3GM-23144-00-00	. SEAL, DUST	1	
9	4V4-23146-L0-00	. WASHER, OIL SEAL	1	
10	3GM-23110-00-00	. INNER TUBE 1COMP 1	1	
11	3XJ-23171-L0-00	. . PISTON, FRONT FORK	1	
12	3GM-23173-00-00	. SPINDLE, TAPER	1	
13	3GM-23170-00-00	. CYLINDER, FRTFRKFRONT FORK	1	
14	3GM-23157-00-00	. . RING, PISTON	1	
15	3GM-23141-00-00	. SPRING, FRONT FORKFRONT	1	
16	3GM-23149-00-00	. WASHER, SPRING UPRUPPER	1	
17	3GM-23111-00-00	. BOLT, CAP	1	
18	4V4-23188-L0-00	. . O-RING	1	
19	4V4-23158-L0-00	. GASKET	1	
20	3GM-23142-00-00	. SEAT, SPRING UPPER	1	
21	3GM-23118-00-00	. SPACER	1	
22	3GM-23153-00-00	. RING, SNAP	1	
23	4V4-23181-L0-00	. BOLT, HEXAGON SOCKET HEAD	1	
24	3GM-23168-00-00	. CAP, FRONT FORK	1	
25	3GM-23103-00-00	FRONT FORK ASSEMBLY R (R.H)	1	

CONTINUED ON NEXT FRAME ►

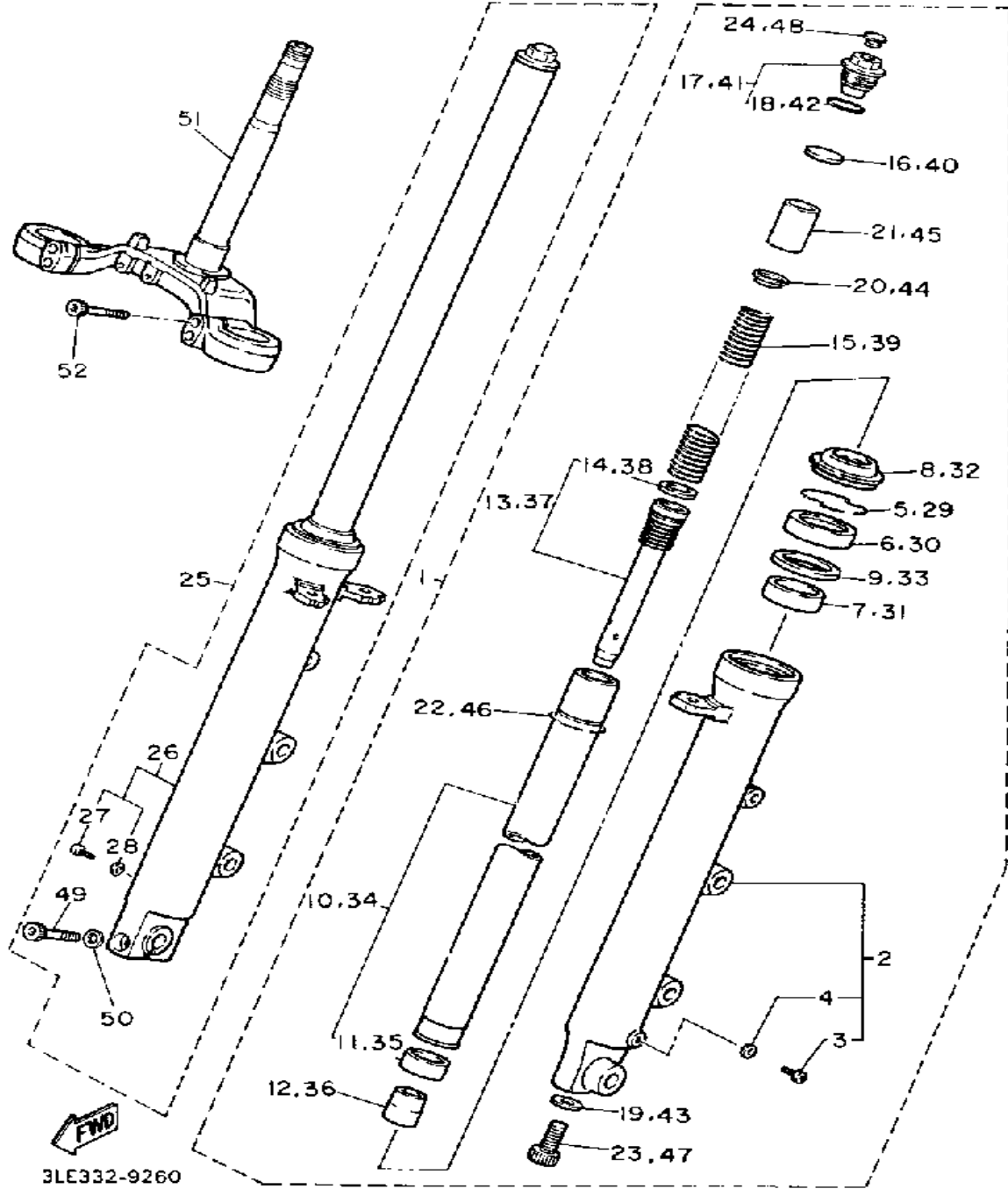
FRONT FORK



Ref. No.	Part Number	Description	Qty	Remarks
26	3GM-23136-00-00	. TUBE, OUTER 2	1	
27	4H7-23119-00-00	.. PLUG, DRAIN - (122-23119-01)	1	
28	122-23129-00-00	.. GASKET, DRAIN PLUG	1	
29	4V4-23153-L0-00	. RING, SNAP	1	
30	3GM-23145-00-00	. OIL SEAL	1	
31	3XJ-23125-L0-00	. METAL, SLIDE 1	1	
32	3GM-23144-00-00	. SEAL, DUST	1	
33	4V4-23146-L0-00	. WASHER, OIL SEAL	1	
34	3GM-23110-00-00	. INNER TUBE 1COMP 1	1	
35	3XJ-23171-L0-00	.. PISTON, FRONT FORK	1	
36	3GM-23173-00-00	. SPINDLE, TAPER	1	
37	3GM-23170-00-00	. CYLINDER, FRTFRKFRONT FORK	1	
38	3GM-23157-00-00	.. RING, PISTON	1	
39	3GM-23141-00-00	. SPRING, FRONT FORKFORK	1	
40	3GM-23149-00-00	. WASHER, SPRING UPRUPPER	1	
41	3GM-23111-00-00	. BOLT, CAP	1	
42	4V4-23188-L0-00	.. O-RING	1	
43	4V4-23158-L0-00	. GASKET	1	
44	3GM-23142-00-00	. SEAT, SPRING UPPER	1	
45	3GM-23118-00-00	. SPACER	1	
46	3GM-23153-00-00	. RING, SNAP	1	
47	4V4-23181-L0-00	. BOLT, HEXAGON SOCKET HEAD	1	
	148---	CAP, FRONT FORK		
49	91311-08045-00	. BOLT	1	
50	90201-08085-00	. WASHER, PLATE	1	
51	3GM-23340-00-00	UNDER BRACKETCOMP	1	

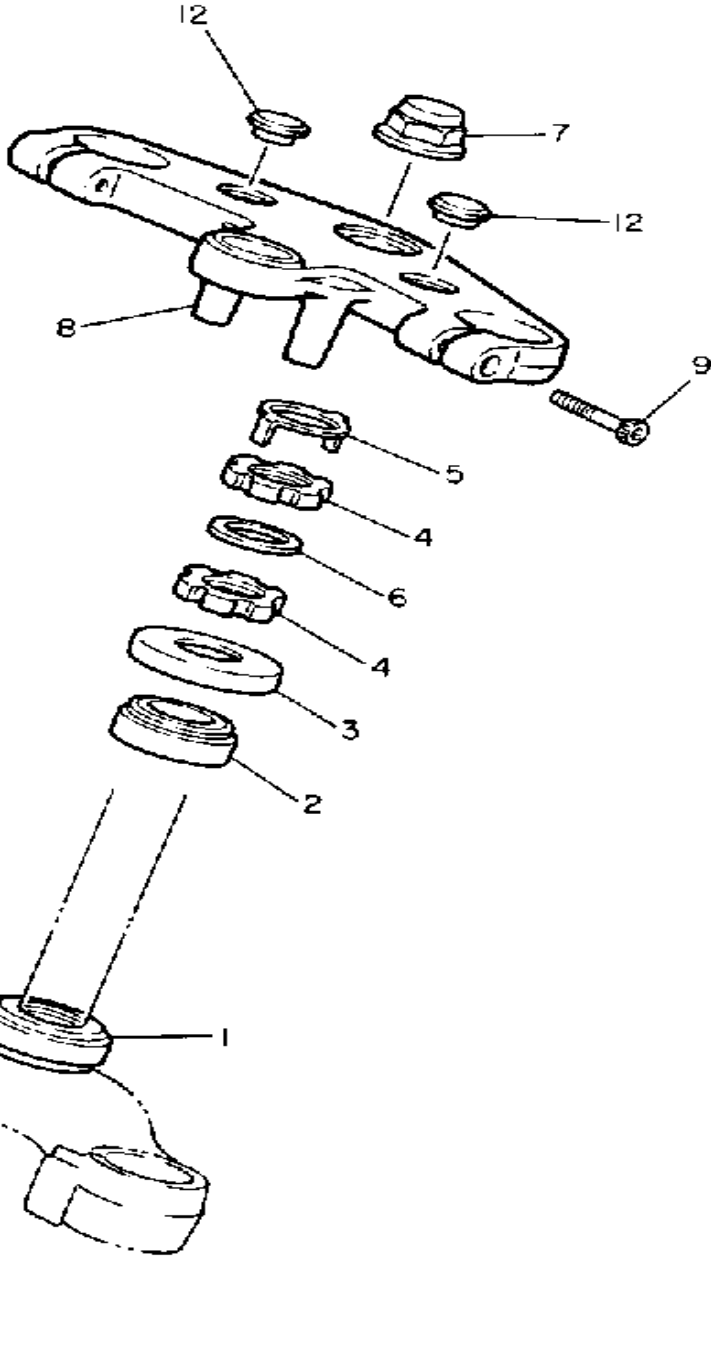
CONTINUED ON NEXT FRAME ►

FRONT FORK



Ref. No.	Part Number	Description	Qty	Remarks
52	5X3-23181-L0-00	BOLT, HEX SCKT HEADSOCKET HEAD	4	

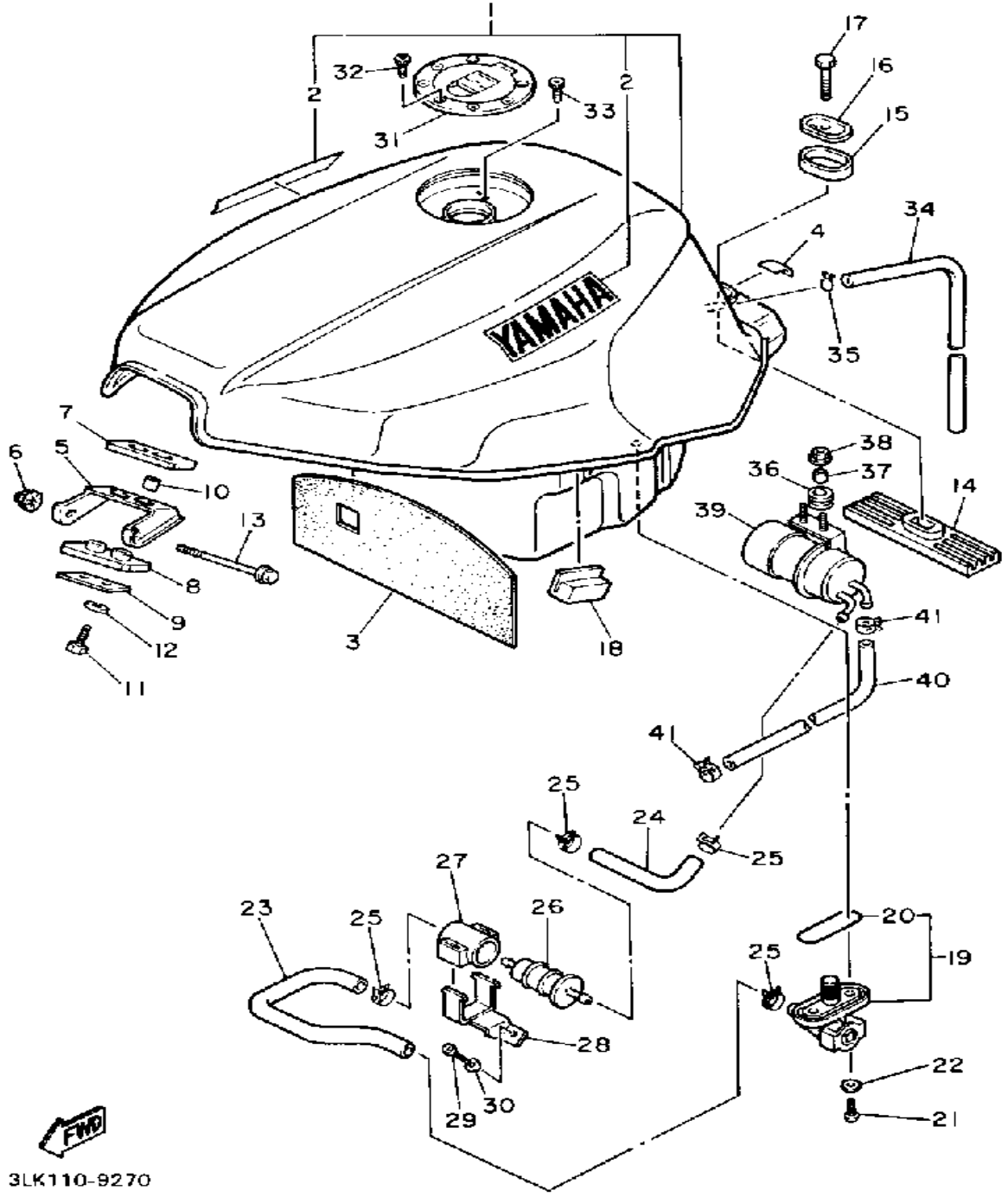
STEERING



Ref. No.	Part Number	Description	Qty	Remarks
1	93332-00008-00	BEARING	1	
2	93332-00001-00	BEARING	1	
3	2GH-23415-10-00	COVER, BALL RACE 1RACE 1	1	
4	90179-25033-00	NUT	2	
5	26H-23418-01-00	WASHER, SPECIAL	1	
6	90202-26142-00	WASHER, PLATE	1	
7	90176-22050-00	NUT, CROWN	1	
8	3GM-W2341-00-00	CROWN, HANDLE	1	
9	91316-08035-00	BOLT, SOCKET HEAD	2	
10	3GM-23377-00-00	BRACKET, HORN	1	
11	91316-06012-00	BOLT, SOCKET HEAD	2	
12	3GM-23437-00-00	COVER, CROWN	2	
13	3GM-23378-00-00	BRACKET	1	
14	91316-06010-00	BOLT, SOCKET HEAD	1	

3LE332-9250

FUEL TANK (NON-CALIFORNIA MODEL)

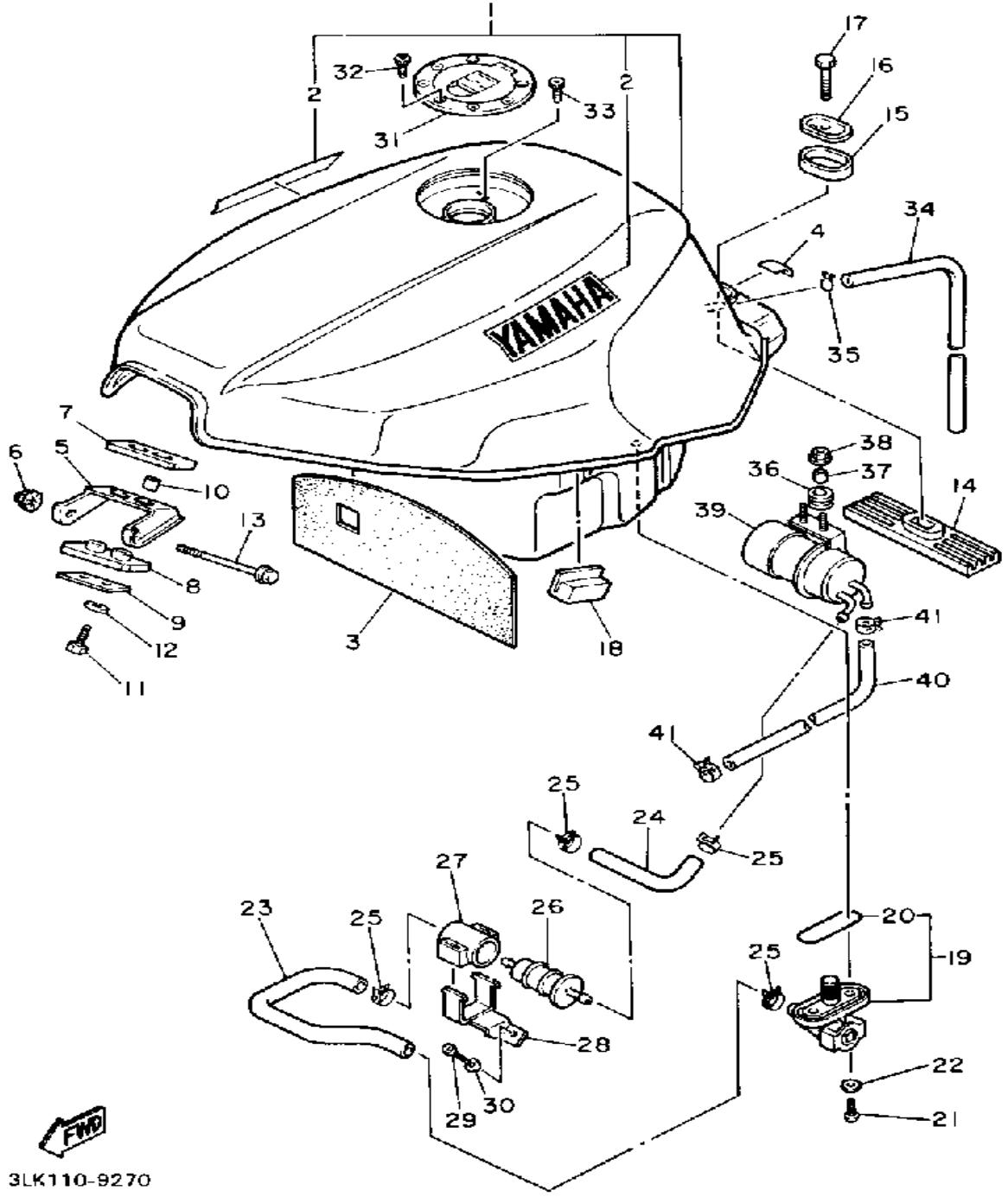


3LK110-9270

Ref. No.	Part Number	Description	Qty	Remarks
1	3GM-24110-01-07	FUEL TANK	1	SILKY WHT FINE RED
2	99223-00040-00	. EMBLEM, YAMAHA	2	
3	3LK-2414J-00-00	DAMPER, PLATE 2	1	
4	2GH-21732-00-00	SEAL 1	1	
5	2GH-24191-00-00	BRACKET, FUEL TANK 1	1	
6	95303-06800-00	NUT (CROWN)	1	
7	2GH-24181-00-00	DAMPER, LOCATING 1	1	
8	2GH-24183-00-00	DAMPER, LOCATING 3	1	
9	2GH-24186-00-00	WASHER, SPECIAL	1	
10	90387-06553-00	COLLAR	2	
11	97011-06025-00	BOLT (97001-06025)	2	
12	92995-06100-00	WASHER, SPRING	2	
13	95811-06075-00	BOLT, FLANGE	1	
14	2GH-24184-00-00	DAMPER, LOCATING 4	1	
15	3Y6-24183-00-00	DAMPER, LOCATING 3	1	
16	2GH-24187-00-00	WASHER, SPECIAL	1	
17	97011-08030-00	BOLT (97001-08030-00)	1	
18	3GM-24182-00-00	DAMPER, LOCATING 2	2	
19	26H-24500-00-00	FUEL COCK ASSEMBLY 1	1	
20	214-24512-00-00	. GASKET	1	
21	90149-06011-00	SCREW	2	
22	90202-05187-00	WASHER, PLATE	2	
23	3GM-24311-01-00	PIPE, FUEL 1	1	
24	3GM-24312-00-00	PIPE 2	1	
25	90467-12124-00	CLIP	4	
26	1FK-24560-00-00	FILTER ASSEMBLY	1	
27	1FK-24566-00-00	BRACKET, FILTER	1	
28	3GM-24136-00-00	CLAMP 2	1	
29	98580-06012-00	SCREW, PAN HEAD	1	

CONTINUED ON NEXT FRAME ►

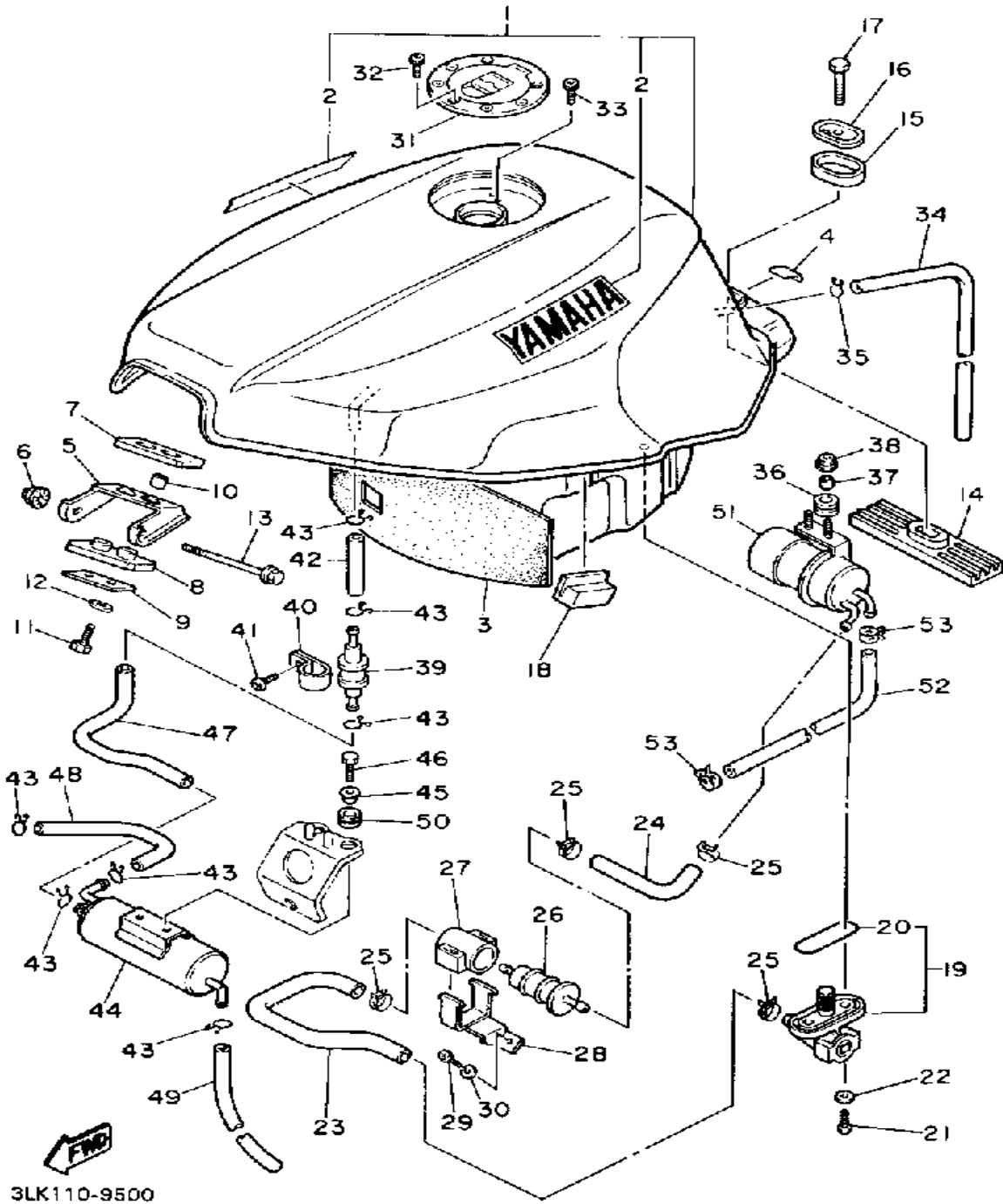
FUEL TANK (NON-CALIFORNIA MODEL)



Ref. No.	Part Number	Description	Qty	Remarks
30	92995-06100-00	WASHER, SPRING	1	
31	1JK-24602-13-00	CAP ASSEMBLY	1	
32	90110-05112-00	BOLT, HEXAGON SOCKET HEAD	3	
33	91311-05010-00	BOLT, SOCKET HEAD	1	
34	90445-102G7-00	HOSE	1	
35	90467-09006-00	CLIP	1	
36	90480-13163-00	GROMMET	2	
37	90387-062L2-00	COLLAR	2	
38	95701-06500-00	NUT, FLANGE	2	
39	3GM-13907-00-00	FUEL PUMP COMP.	1	
40	3GM-14294-00-00	HOSE	1	
41	90467-13123-00	CLIP	2	

3LK110-9270

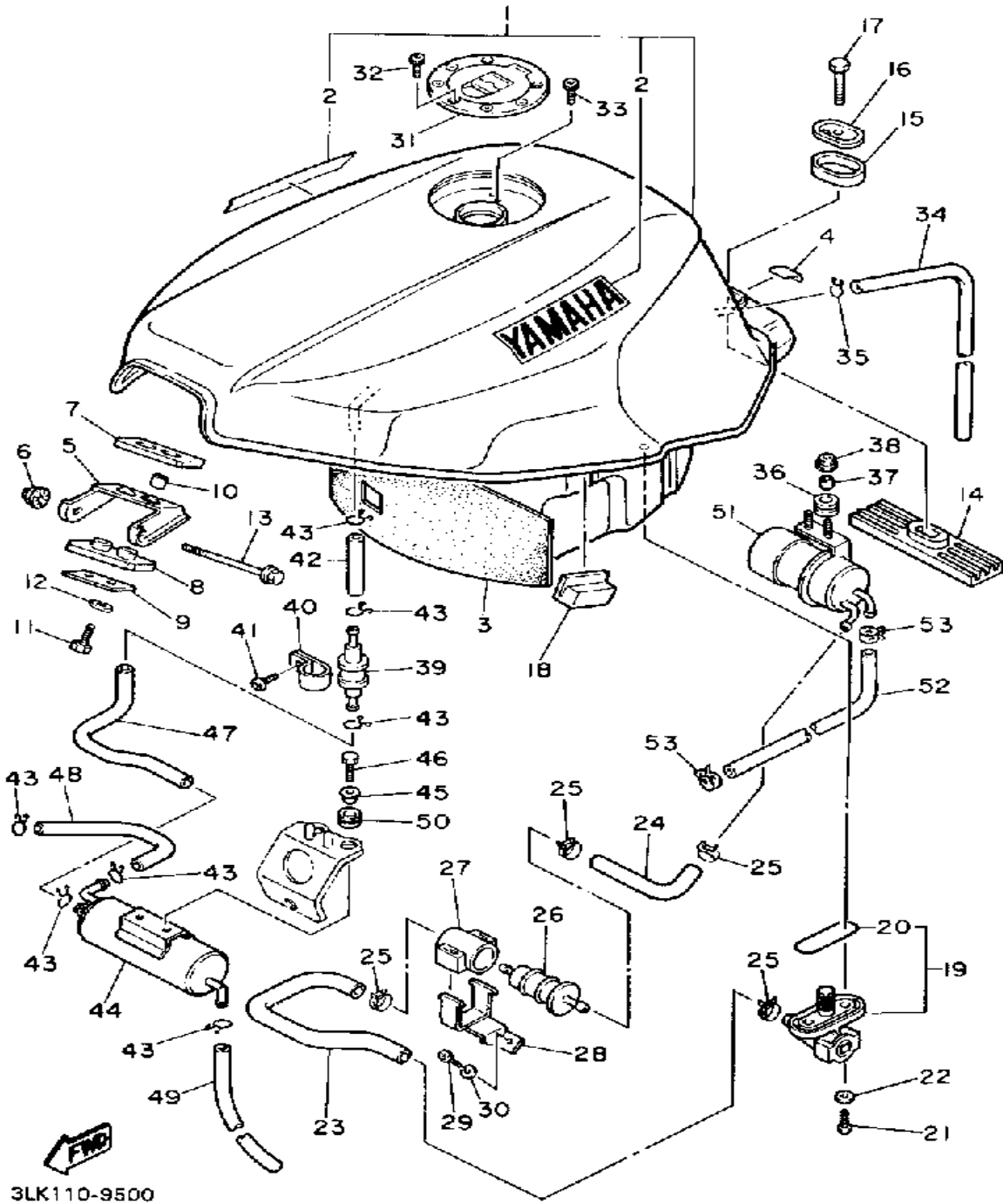
FUEL TANK (CALIFORNIA MODEL ONLY)



Ref. No.	Part Number	Description	Qty	Remarks
1	3LK-24110-01-01	FUEL TANK	1	
2	99223-00040-00	. EMBLEM, YAMAHA	2	
3	3LK-2414J-00-00	DAMPER, PLATE 2	1	
4	2GH-21732-00-00	SEAL 1	1	
5	2GH-24191-00-00	BRACKET, FUEL TANK 1	1	
6	95303-06800-00	NUT (CROWN)	1	
7	2GH-24181-00-00	DAMPER, LOCATING 1	1	
8	2GH-24183-00-00	DAMPER, LOCATING 3	1	
9	2GH-24186-00-00	WASHER, SPECIAL	1	
10	90387-06553-00	COLLAR	2	
11	97011-06025-00	BOLT (97001-06025)	2	
12	92995-06100-00	WASHER, SPRING	2	
13	95811-06075-00	BOLT, FLANGE	1	
14	2GH-24184-00-00	DAMPER, LOCATING 4	1	
15	3Y6-24183-00-00	DAMPER, LOCATING 3	1	
16	2GH-24187-00-00	WASHER, SPECIAL	1	
17	97011-08030-00	BOLT (97001-08030-00)	1	
18	3GM-24182-00-00	DAMPER, LOCATING 2	2	
19	26H-24500-00-00	FUEL COCK ASSEMBLY 1	1	
20	214-24512-00-00	. GASKET	1	
21	90149-06011-00	SCREW	2	
22	90202-05187-00	WASHER, PLATE	2	
23	3GM-24311-01-00	PIPE, FUEL 1	1	
24	3GM-24312-00-00	PIPE 2	1	
25	90467-12124-00	CLIP	4	
26	1FK-24560-00-00	FILTER ASSEMBLY	1	
27	1FK-24566-00-00	BRACKET, FILTER	1	
28	3GM-24136-00-00	CLAMP 2	1	
29	98580-06012-00	SCREW, PAN HEAD	1	

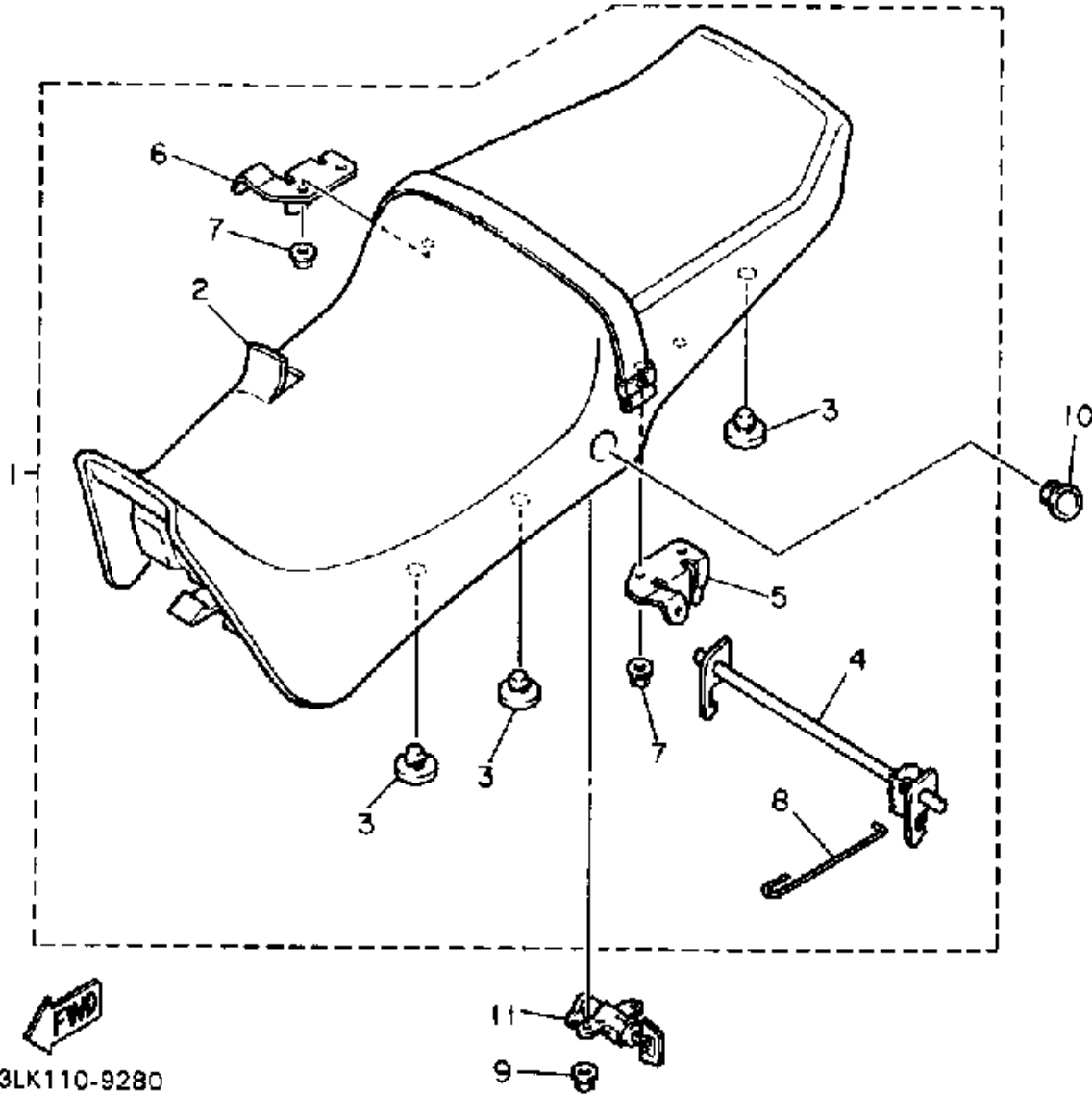
CONTINUED ON NEXT FRAME ➤

FUEL TANK (CALIFORNIA MODEL ONLY)



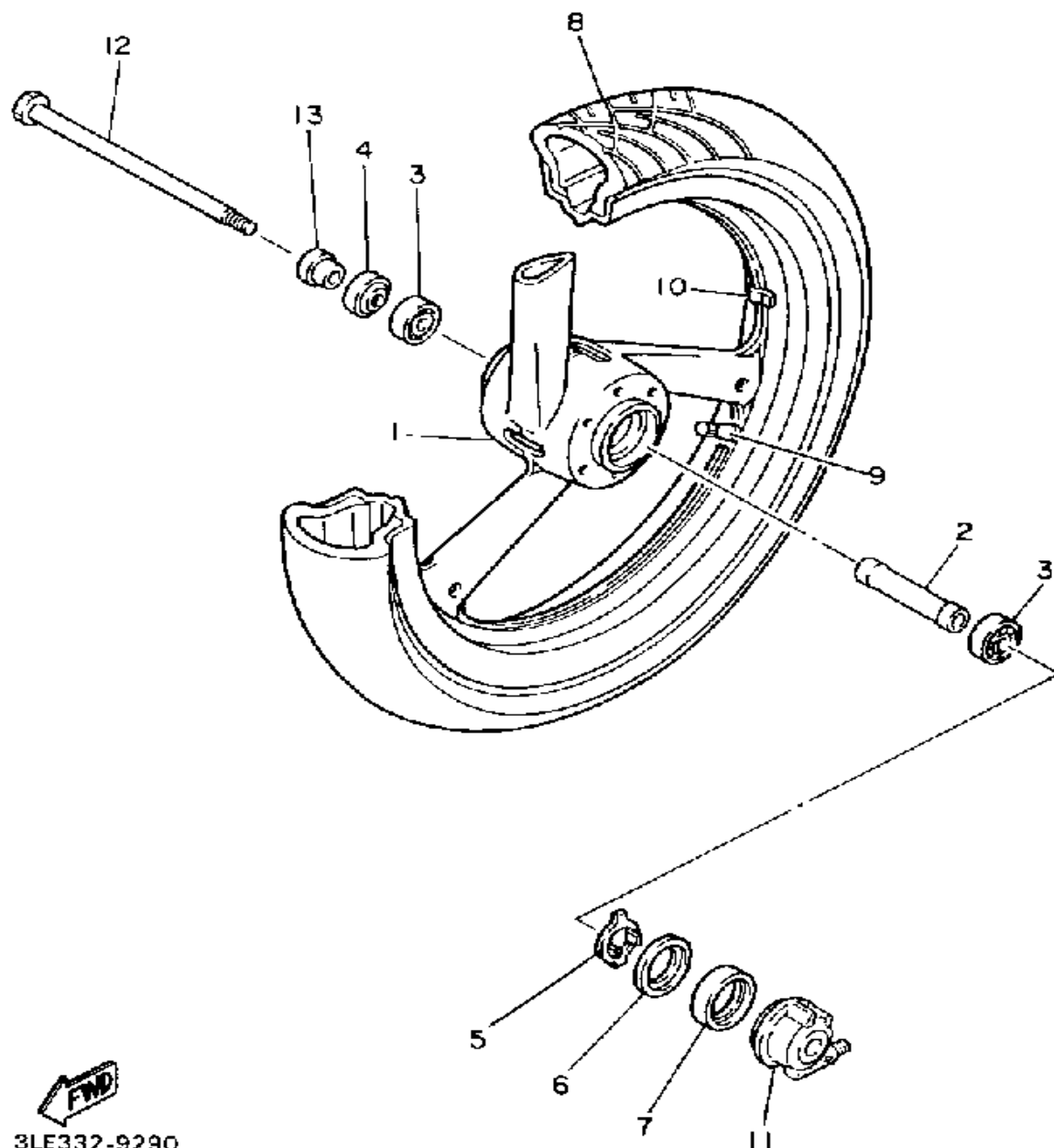
Ref. No.	Part Number	Description	Qty	Remarks
30	92995-06100-00	WASHER, SPRING	1	
31	1LJ-24602-03-00	CAP ASSEMBLY	1	
32	90110-05112-00	BOLT, HEXAGON SOCKET HEAD	3	
33	91311-05010-00	BOLT, SOCKET HEAD	1	
34	90445-102G7-00	HOSE	1	
35	90467-09006-00	CLIP	1	
36	90480-13163-00	GROMMET	2	
37	90387-062L2-00	COLLAR	2	
38	95701-06500-00	NUT, FLANGE	2	
39	25H-24180-00-00	ROLL OVER VALVE ASSEMBLY	1	
40	90461-15100-00	CLAMP	1	
41	98580-05010-00	SCREW, PAN HEAD	1	
42	90445-11734-00	HOSE	1	
43	90467-10008-00	CLIP	7	
44	3LK-24170-00-00	CANISTER ASSEMBLY	1	
45	90387-062L2-00	COLLAR	2	
46	97011-06016-00	BOLT	2	
47	3LK-24311-00-00	PIPE, FUEL 1	1	
48	3LK-24313-00-00	PIPE 3	1	
49	90445-114E2-00	HOSE	1	
50	90480-13163-00	GROMMET	2	
51	3GM-13907-00-00	FUEL PUMP COMP.	1	
52	3GM-14294-00-00	HOSE	1	
53	90467-13123-00	CLIP	2	

SEAT



Ref. No.	Part Number	Description	Qty	Remarks
1	3GM-24730-00-00	DOUBLE SEAT ASSEMBLY ...	1	
2	3GM-24731-00-00	. COVER, DOUBLE SEAT	1	
3	2GH-24741-00-00	. PAD, SEAT	6	
4	2GH-24776-00-00	. LEVER, SEAT	1	
5	1KT-24718-00-00	. BRACKET, SEAT	1	
6	1KT-24728-00-00	. BRACKET, SEAT	1	
7	95701-06500-00	. NUT, FLANGE	4	
8	1JK-2478F-00-00	. ROD, CONNECTING	1	
9	95701-05500-00	NUT, FLANGE	2	
10	47X-24796-00-00	COVER	1	
11	51X-24705-00-00	SEAT LOCK ASSEMBLY	1	

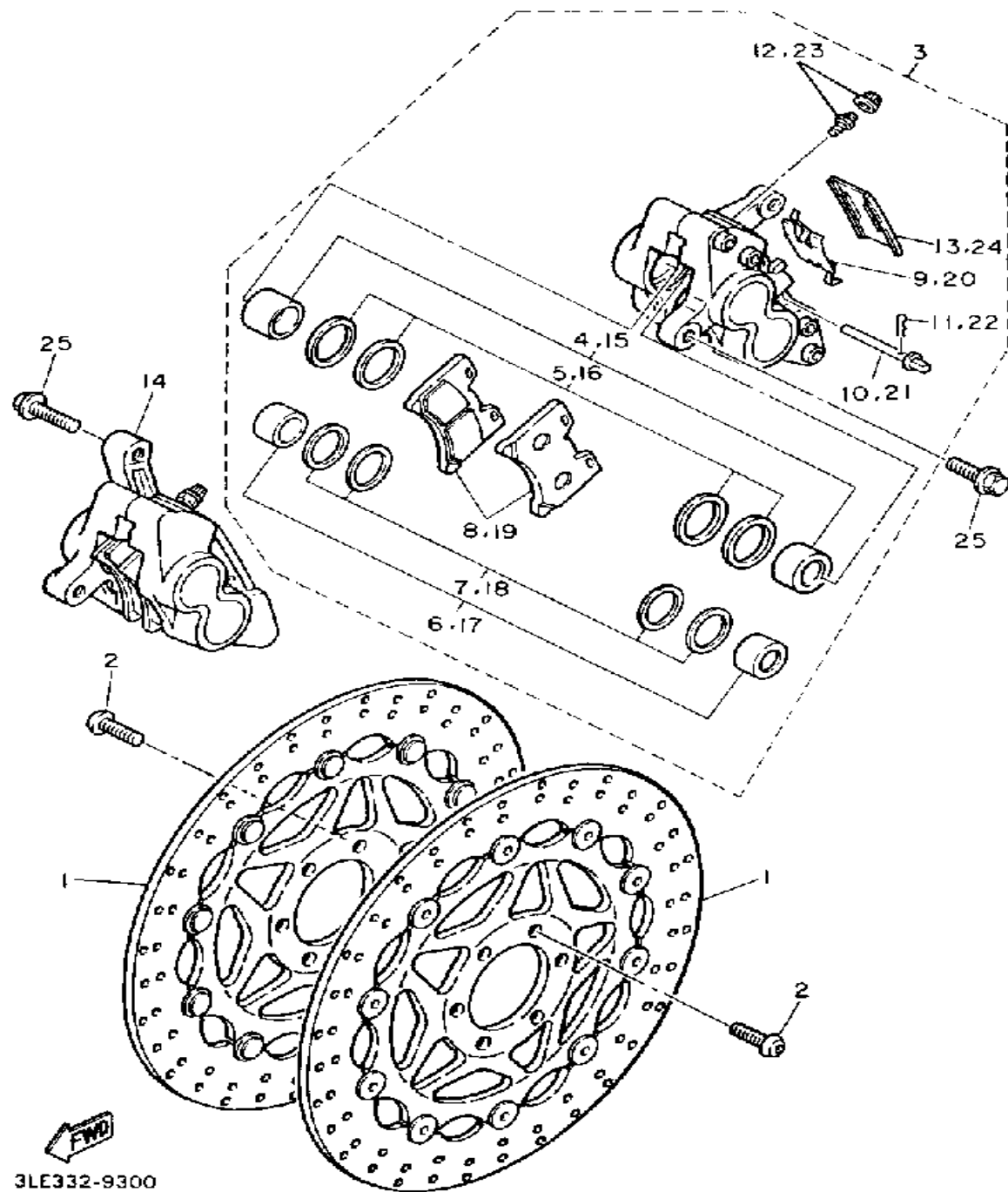
FRONT WHEEL



Ref. No.	Part Number	Description	Qty	Remarks
1	3GM-25168-00-UA	WHEEL, CAST FRONT	1	CAST WHEEL WHT
2	90560-17356-00	SPACER	1	
3	93306-20310-00	BEARING	2	
4	93102-25017-00	OIL SEAL	1	
5	341-25149-00-00	CLUTCH, METER	1	
6	341-25846-00-00	RETAINER, CLUTCH	1	
7	93105-45017-00	OIL SEAL	1	
8	94113-174U4-00	130/60 ZR17-V280 P	1	
9	93900-00030-00	VALVE, RIM	1	
10	29L-25398-00-00	BALANCER, WHEEL (10G)	1	UN
	29L-25398-10-00	BALANCER, WHEEL (20G)	1	UN
	29L-25398-20-00	BALANCER, WHEEL (30G)	1	UN
11	3MA-25190-00-00	GEAR UNIT ASSEMBLY	1	
12	3GM-25181-00-00	AXLE, WHEEL	1	
13	90387-17530-00	COLLAR	1	


3LE332-9290

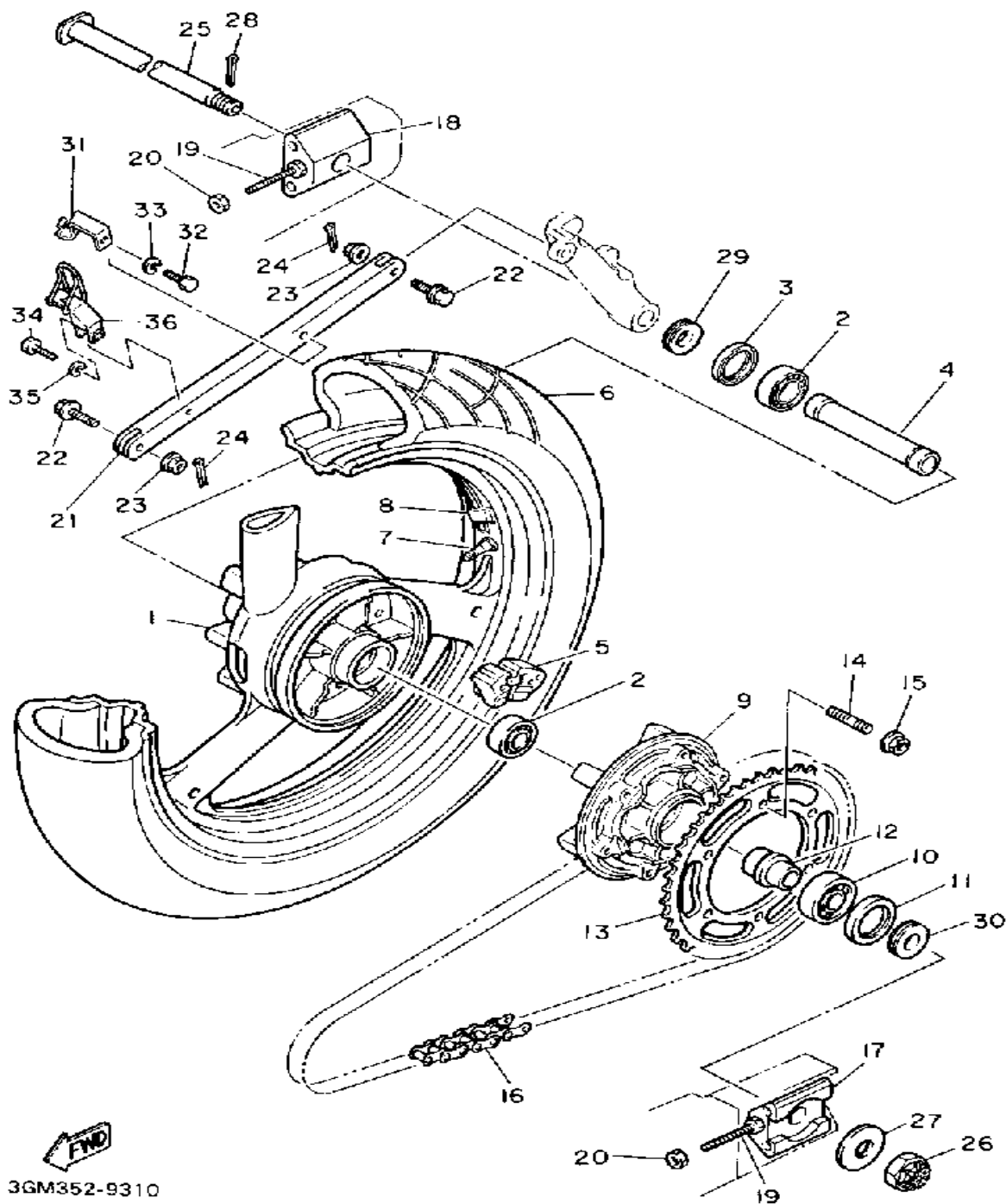
FRONT BRAKE CALIPER



3LE332-9300

Ref. No.	Part Number	Description	Qty	Remarks
1	3GM-2581T-00-00	DISC BRAKE ASSEMBLY LEFT (LEFT)	2	
2	90109-08718-00	BOLT	12	
3	3GM-2580T-01-00	CALIPER ASSEMBLY LEFT (LT.)	1	SILVER
4	3GM-W0057-00-00	. PISTON ASSEMBLY, CALIPER	1	
5	3GM-W0047-00-00	. . CALIPER SEAL KIT	1	
6	3GM-W0057-10-00	. PISTON ASSEMBLY, CALIPER	1	
7	3GM-W0047-10-00	. . CALIPER SEAL KIT	1	
8	3GM-W0045-11-00	. BRAKE PAD KIT	1	
9	3GM-25919-00-00	. SUPPORT, PAD	1	
10	3HE-25924-00-00	. PIN, PAD	2	
11	3GM-25925-00-00	. CLIP	2	
12	1J3-W0048-00-00	. BLEED SCREW KIT	1	
13	1KT-25836-00-00	. COVER, DUST	1	
14	3GM-2580U-02-00	CALIPER ASSEMBLY RIGHT (RIGHT)	1	SILVER
15	3GM-W0057-00-00	. PISTON ASSEMBLY, CALIPER	1	
16	3GM-W0047-00-00	. . CALIPER SEAL KIT	1	
17	3GM-W0057-10-00	. PISTON ASSEMBLY, CALIPER	1	
18	3GM-W0047-10-00	. . CALIPER SEAL KIT	1	
19	3GM-W0045-11-00	. BRAKE PAD KIT	1	
20	3GM-25919-00-00	. SUPPORT, PAD	1	
21	3HE-25924-00-00	. PIN, PAD	2	
22	3GM-25925-00-00	. CLIP	2	
23	1J3-W0048-00-00	. BLEED SCREW KIT	1	
24	1KT-25836-00-00	. COVER, DUST	1	
25	90105-10638-00	BOLT, WASHER BASED	4	

REAR WHEEL

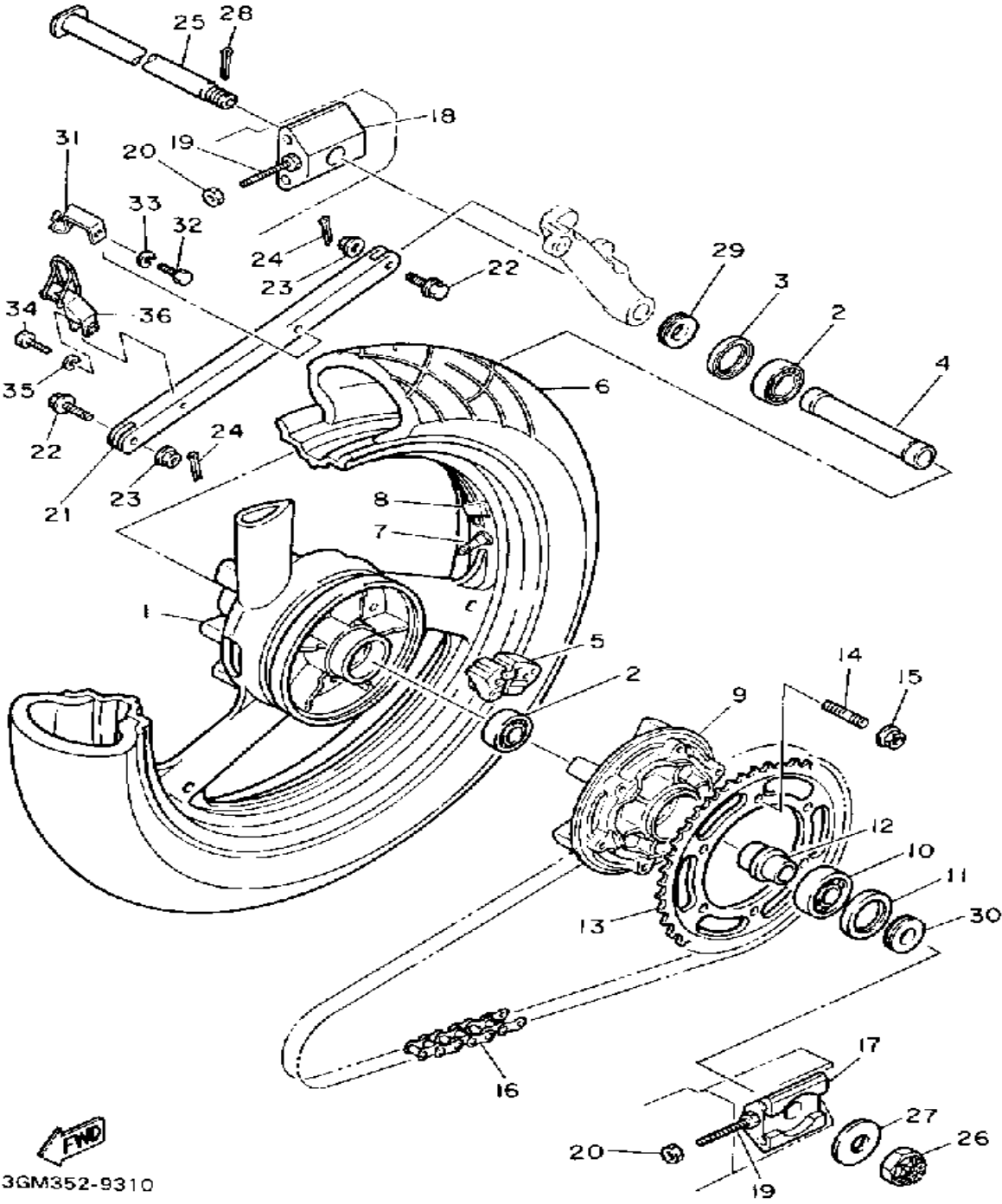


3GM352-9310

Ref. No.	Part Number	Description	Qty	Remarks
1	3GM-25338-01-UA	WHEEL, CAST REAR	1	CAST WHEEL WHT
2	93306-30416-00	BEARING (B6304RS)	2	
3	93106-40027-00	OIL SEAL	1	
4	90560-20357-00	SPACER	1	
5	2GH-25364-00-00	DAMPER	5	
6	94117-173U9-00	170/60 ZR17-V280 P	1	
7	93900-00030-00	VALVE, RIM	1	
8	29L-25398-00-00	BALANCER, WHEEL (10G)	1	UN
	29L-25398-10-00	BALANCER, WHEEL (20G)	1	UN
	29L-25398-20-00	BALANCER, WHEEL (30G)	1	UN
9	36Y-25366-01-00	CLUTCH, HUB	1	
10	93306-30507-00	BEARING	1	
11	93106-42026-00	OIL SEAL	1	
12	36Y-25377-00-00	COLLAR, WHEEL	1	
13	2GH-25447-21-00	SPROCKET, DRIVEN (47T)	1	BLACK
14	90116-10485-00	BOLT, STUD	6	
15	95601-10200-00	NUT, SELF-LOCKING	6	
16	94571-31110-00	CHAIN (RK532GSV2-110L)	1	
	94581-26110-00	CHAIN (DID532ZLV-110L)	1	UR
17	3GM-25388-00-00	PULLER, CHAIN 1	1	
18	3GM-25389-00-00	PULLER, CHAIN 2	1	
19	90101-08705-00	BOLT	2	
20	95333-08600-00	NUT	2	
21	3GM-25371-00-00	BAR, TENSION	1	
22	90105-08321-00	BOLT, WASHER BASED	2	
23	95701-08500-00	NUT, FLANGE	2	
24	91490-20020-00	PIN, COTTER	2	
25	3GM-25381-00-00	AXLE, WHEEL	1	
26	90171-18043-00	NUT, CASTLE	1	

CONTINUED ON NEXT FRAME ➤

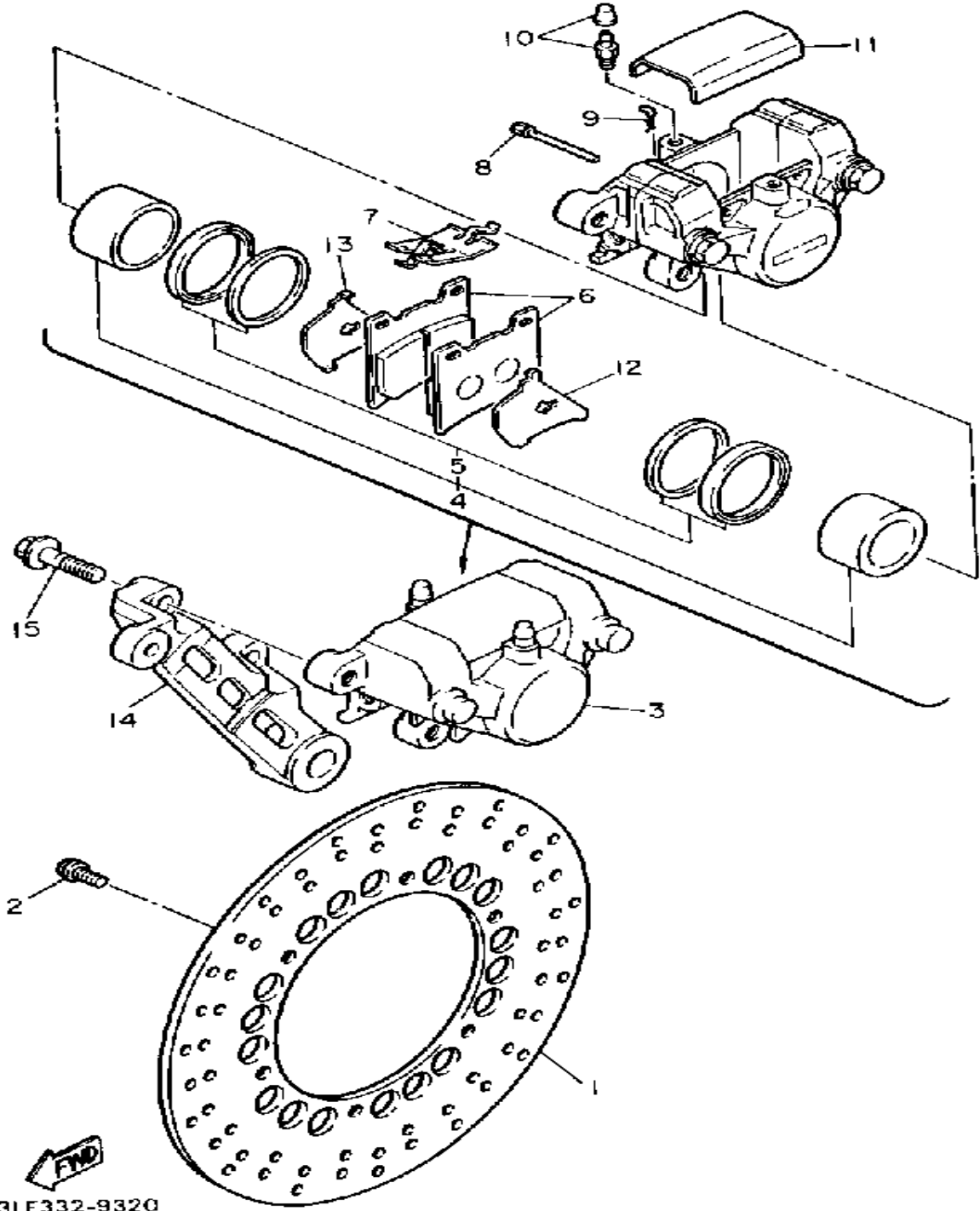
REAR WHEEL



3GM352-9310

Ref. No.	Part Number	Description	Qty	Remarks
27	90201-186M4-00	WASHER, PLATE	1	
28	91401-40040-00	PIN, COTTER	1	
29	90387-203U5-00	COLLAR	1	
30	90387-203U4-00	COLLAR	1	
31	3GM-25876-00-00	HOLDER, BRAKE HOSE 2	1	
32	97011-06010-00	BOLT	1	
33	92995-06100-00	WASHER, SPRING	1	
34	97021-06030-00	BOLT	1	
35	92995-06100-00	WASHER, SPRING	1	
36	3GM-25875-00-00	HOLDER, BRKE HOSE 1HOSE 1	1	

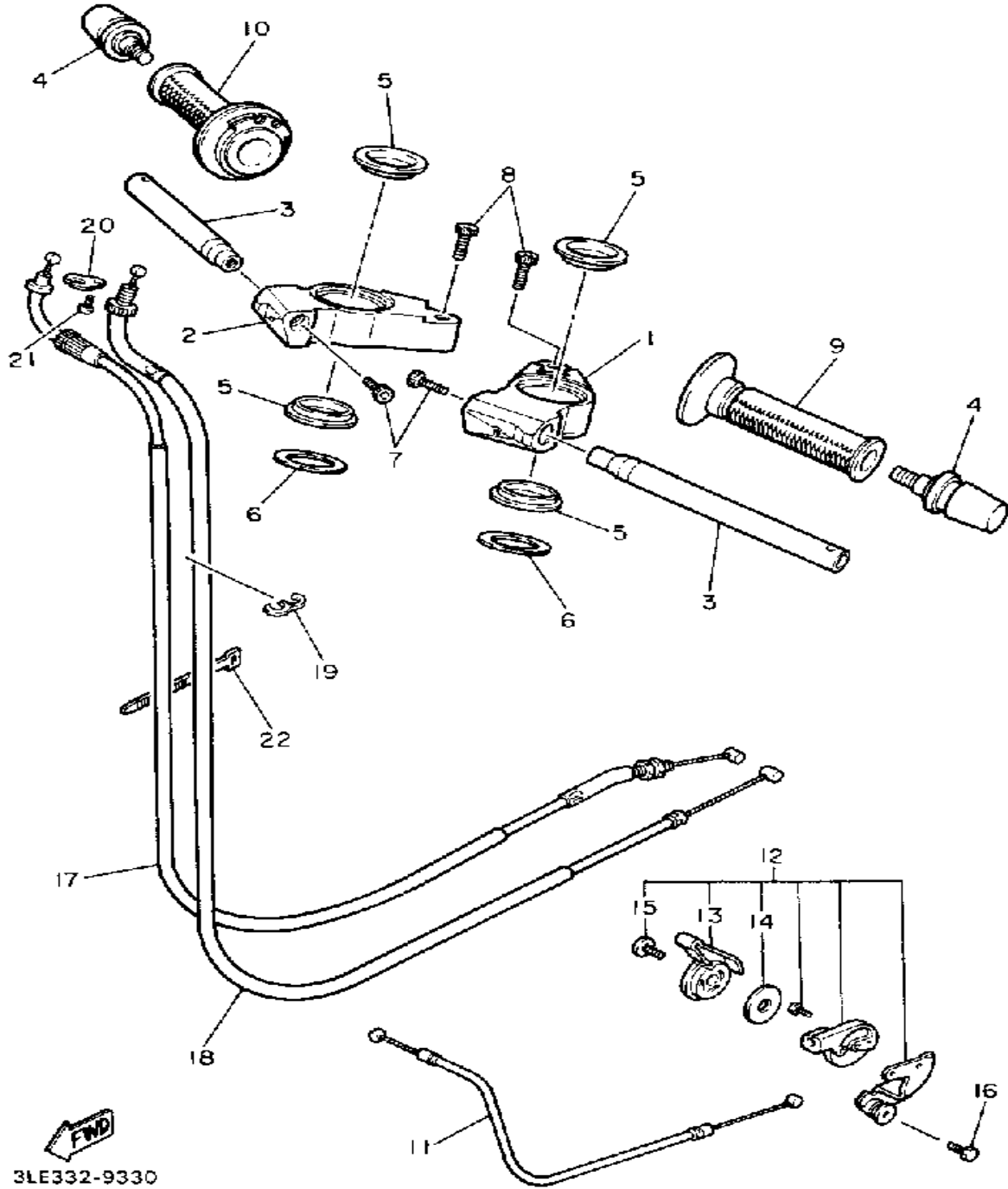
REAR BRAKE CALIPER



Ref. No.	Part Number	Description	Qty	Remarks
1	2KT-25831-00-00	DISC, BRAKE (RIGHT)	1	
2	90109-08718-00	BOLT	6	
3	3GM-2580W-00-00	CALIPER ASSEMBLY REA 2	1	
4	31A-W0057-00-00	. PISTON ASSEMBLY, CALIPER	1	
5	31A-W0047-00-00	. . CALIPER SEAL KIT	1	
6	26H-W0045-11-00	. BRAKE PAD KIT	1	
7	1WG-25919-00-00	. SUPPORT, PAD	1	
8	3HE-25924-00-00	. PIN, PAD	2	
9	3HE-25925-00-00	. CLIP	2	
10	1J3-W0048-00-00	. BLEED SCREW KIT	2	
11	51J-25836-00-00	. COVER, DUST	1	
12	1FK-25827-00-00	. SHIM, CALIPER	1	
13	1FK-25828-00-00	. SHIM, CALIPER	1	
14	3GM-25819-00-00	BRACKET, CALIPER	1	
15	90105-10638-00	BOLT, WASHER BASED	2	

3LE332-9320

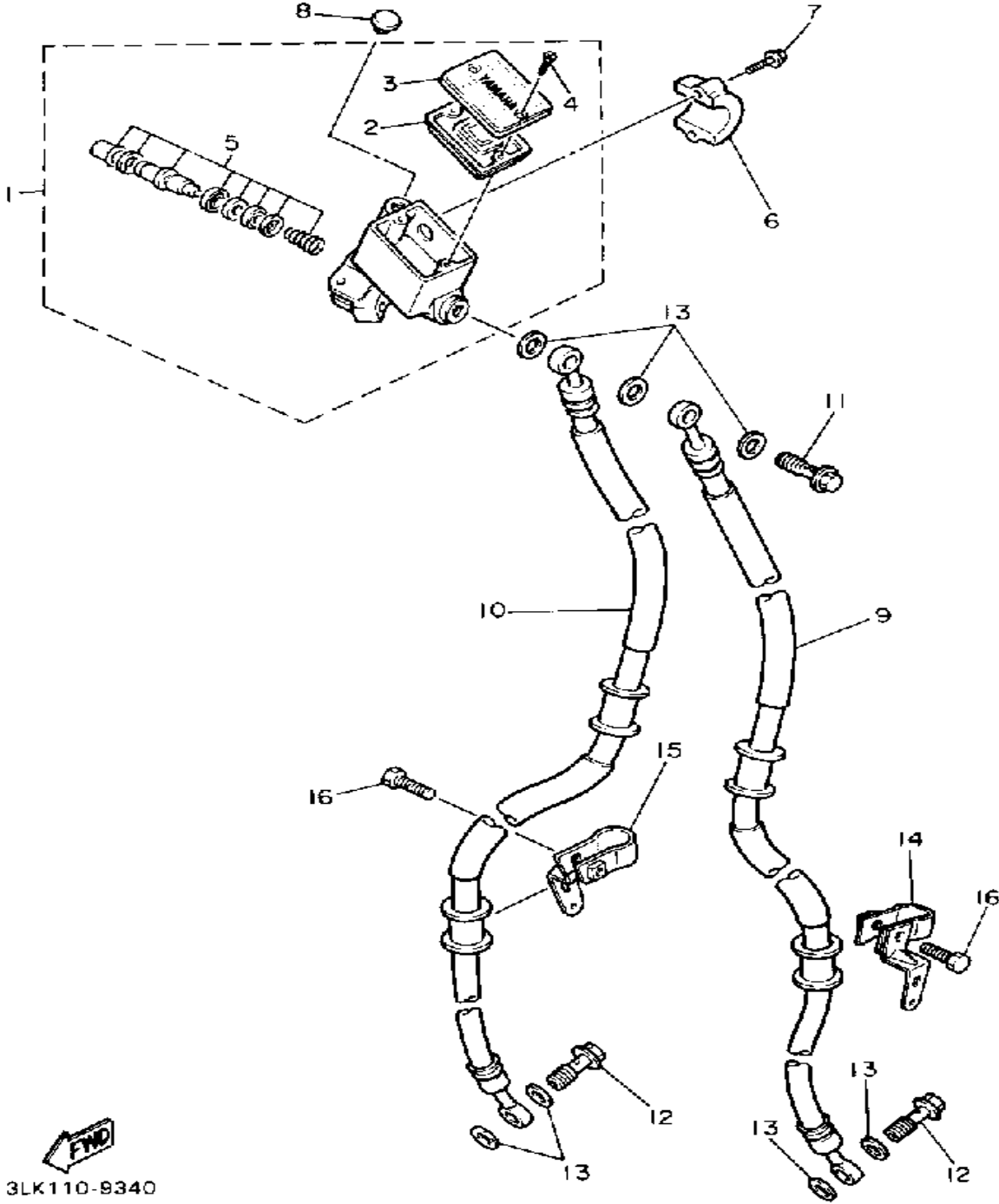
HANDLEBAR-CABLE



3LE332-9330

Ref. No.	Part Number	Description	Qty	Remarks
1	3GM-26121-00-00	HANDLEBAR LH (LEFT)	1	
2	3GM-26122-00-00	HANDLEBAR RH (RT.)	1	
3	3GM-26111-50-00	HANDLEBAR	2	
4	36Y-26246-00-00	END, GRIP	2	
5	3GM-26113-00-00	DAMPER	4	
6	90201-435M0-00	WASHER, PLATE	2	
7	91316-08025-00	BOLT, SOCKET HEAD	2	
8	90109-082A1-00	BOLT	2	
9	47X-26241-00-00	GRIP (LEFT)	1	
10	47X-26240-00-00	GRIP ASSEMBLY	1	
11	3GM-26331-00-00	CABLE, STARTER 1	1	
12	3GM-83940-00-00	STARTER ASSEMBLY	1	
13	1WG-83941-00-00	. LEVER, STARTER	1	
14	90209-10131-00	. WASHER	1	
15	98906-06008-00	. SCREW, BIND	1	
16	91316-06012-00	BOLT, SOCKET HEAD	1	
17	3GM-26311-00-00	CABLE, THROTTLE 1	1	
18	3GM-26312-00-00	CABLE, THROTTLE 2	1	
19	90464-60067-00	CLAMP	1	
20	5H0-26393-00-00	HOLDER	1	
21	98506-05008-00	SCREW, PAN HEAD	1	
22	437-83936-01-00	BAND, SWITCH CORD	1	

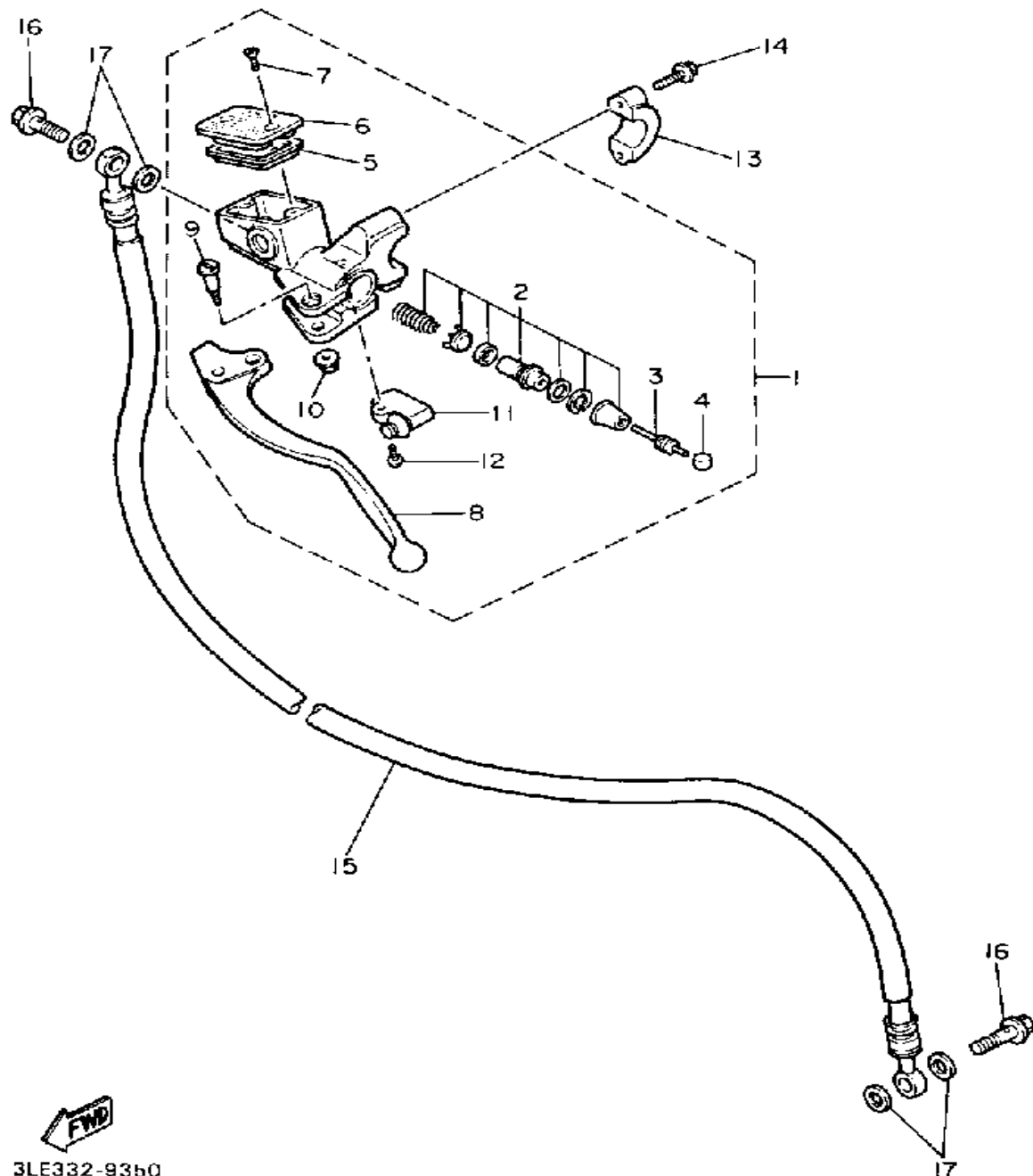
FRONT MASTER CYLINDER



Ref. No.	Part Number	Description	Qty	Remarks
1	3SD-25870-20-00	MSTR. CYLINDER. SUB ASSEMBLY	1	
2	4K0-25854-00-00	. DIAPHRAGM RESERVOR	1	
3	3GM-25852-01-00	. CAP, RESERVOIR	1	
4	98706-04012-00	. SCREW, FLAT HEAD	2	
5	4K0-W0041-50-00	. CYLINDER KIT, MASTER	1	
6	4L0-25867-00-00	BRACKET, MASTER CYLINDER	1	
7	95026-06025-00	BOLT, FLANGE	2	
8	90338-09012-00	PLUG	1	
9	3GM-25872-00-00	HOSE, BRAKE 1	1	
10	3GM-25873-00-00	HOSE, BRAKE 2	1	
11	90401-10950-0	UNAVAILABLE IN PRICE BOOK	1	
12	90401-10096-00	BOLT, UNION	2	
13	90201-10118-00	WASHER, PLATE	7	
14	3LK-25875-00-00	HOLDER, BRAKE HOSE 1 (3FH-25875-00-00)	1	
15	3LK-25876-00-00	HOLDER, BRKE HOSE 2 HOSE 2	1	
16	95023-06025-00	BOLT, FLANGE	2	

3LK110-9340

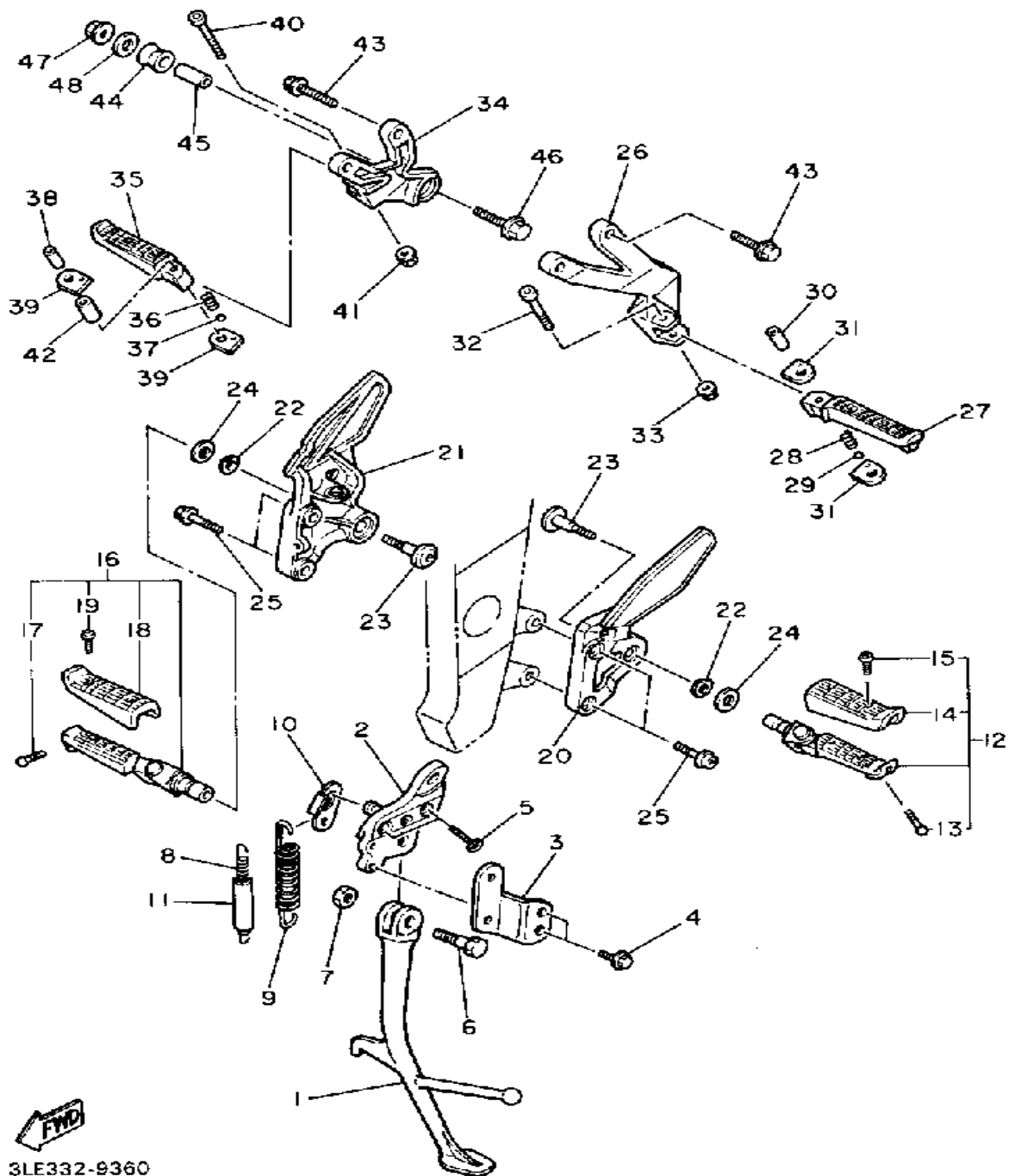
FRONT MASTER CYINDER 2



Ref. No.	Part Number	Description	Qty	Remarks
1	3SD-25870-11-00	MASTER CYLINDER SUB ASSEMBLY	1	
2	3GM-W0099-00-00	. CYLINDER KIT, MASTER (CLUTCH)	1	
3	3GM-26464-00-00	. ROD, PUSH	1	
4	3GM-26455-00-00	. BUSH	1	
5	55U-25854-00-00	. DIAPHRAGM, RESERVOIR	1	
6	2KF-25852-01-00	. CAP, RESERVOIR	1	
7	98706-04012-00	. SCREW, FLAT HEAD	2	
8	3GM-83912-00-00	. LEVER 1	1	
9	90149-06287-00	. SCREW	1	
10	95706-06500-00	. NUT, FLANGE	1	
11	3GM-83980-00-00	. FRONT STOP SWITCH ASSEMBLY	1	
12	98706-04016-00	. SCREW, FLAT HEAD	1	
13	56A-25867-00-00	BRACKET, MASTER CYLINDER	1	
14	95026-06025-00	BOLT, FLANGE	2	
15	2GH-26470-01-00	HOSE, CLUTCH	1	
16	90401-10096-00	BOLT, UNION	2	
17	90201-10118-00	WASHER, PLATE	4	

3LE332-9350

STAND-FOOTREST

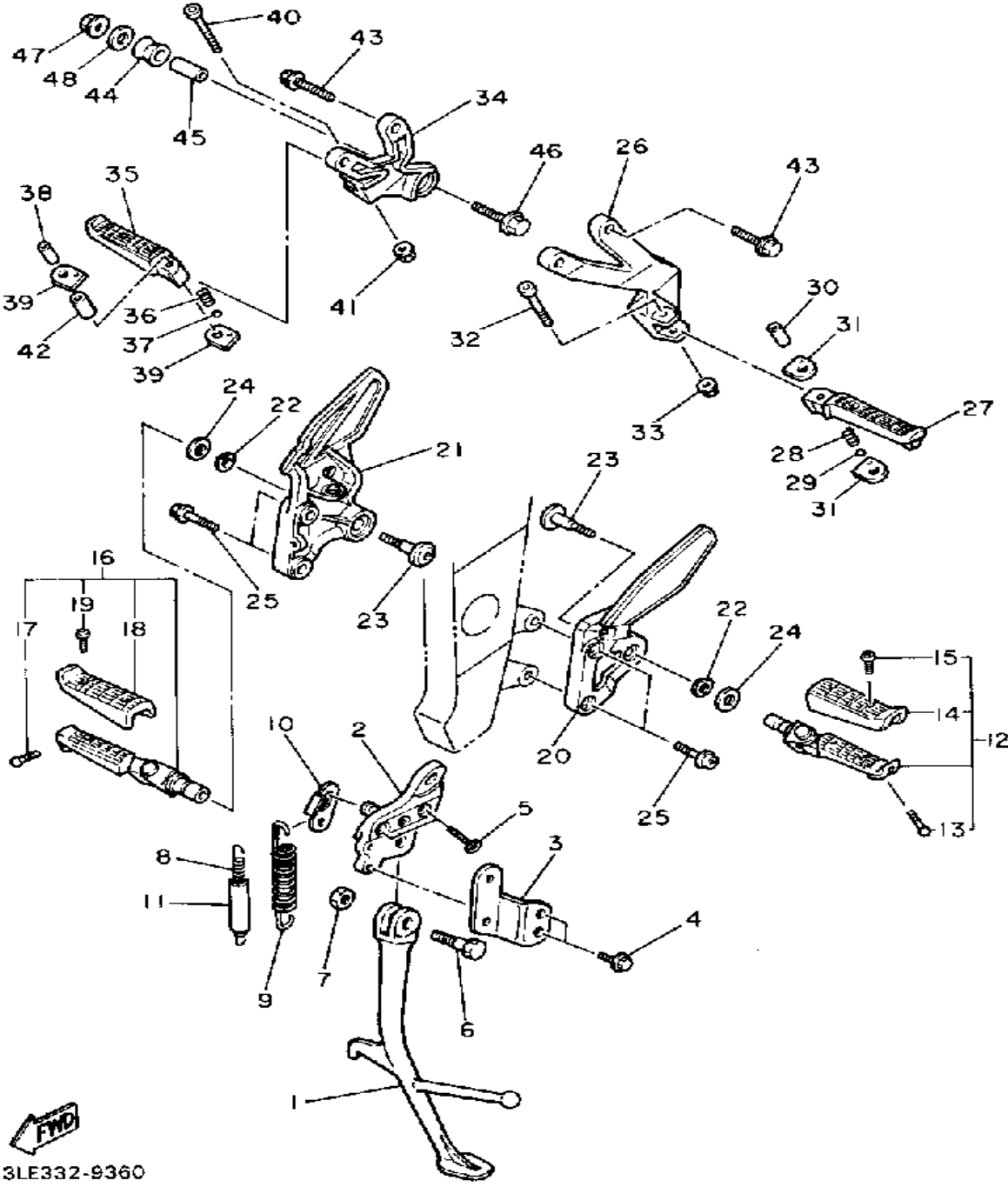


3LE332-9360

Ref. No.	Part Number	Description	Qty	Remarks
1	3GM-27311-00-00	STAND, SIDE	1	
2	3GM-27321-00-00	BRACKET, SIDE STAND	1	
3	3GM-21453-00-00	BRACKET, SWITCH	1	
4	90105-06564-00	BOLT, WASHER BASED	2	
5	90110-08155-00	BOLT, HEXAGON SOCKET HEAD	2	
6	90109-104E6-00	BOLT	1	
7	90185-10037-00	NUT, SELF-LOCKING	1	
8	90506-18224-00	SPRING, TENSION	1	
9	90506-26225-00	SPRING, TENSION	1	
10	2KT-27315-00-00	LINK, SIDE STAND	1	
11	1TX-27351-00-00	GUIDE, SIDE STAND	1	
12	2GH-27410-00-00	FRONT FOOTREST ASSEMBLY (LEFT)	1	
13	90109-083E2-00	. BOLT	1	
14	2GH-27413-00-00	. COVER, FOOTREST	1	
15	90157-05079-00	. SCREW, PAN HEAD	2	
16	2GH-27420-00-00	FRONT FOOTREST ASSEMBLY (RIGHT)	1	
17	90109-083E2-00	. BOLT	1	
18	2GH-27413-00-00	. COVER, FOOTREST	1	
19	90157-05079-00	. SCREW, PAN HEAD	2	
20	3GM-27442-00-00	BRACKET 2	1	
21	3GM-27443-00-00	BRACKET 3	1	
22	90214-10056-00	WASHER, CLAW	2	
23	90109-103A9-00	BOLT	2	
24	90206-17084-00	WASHER, WAVE	2	
25	90110-08066-00	BOLT, HEX SKT HEADSOCKET HEAD	4	
26	3GM-2741L-00-00	BRACKET 4	1	

CONTINUED ON NEXT FRAME ►

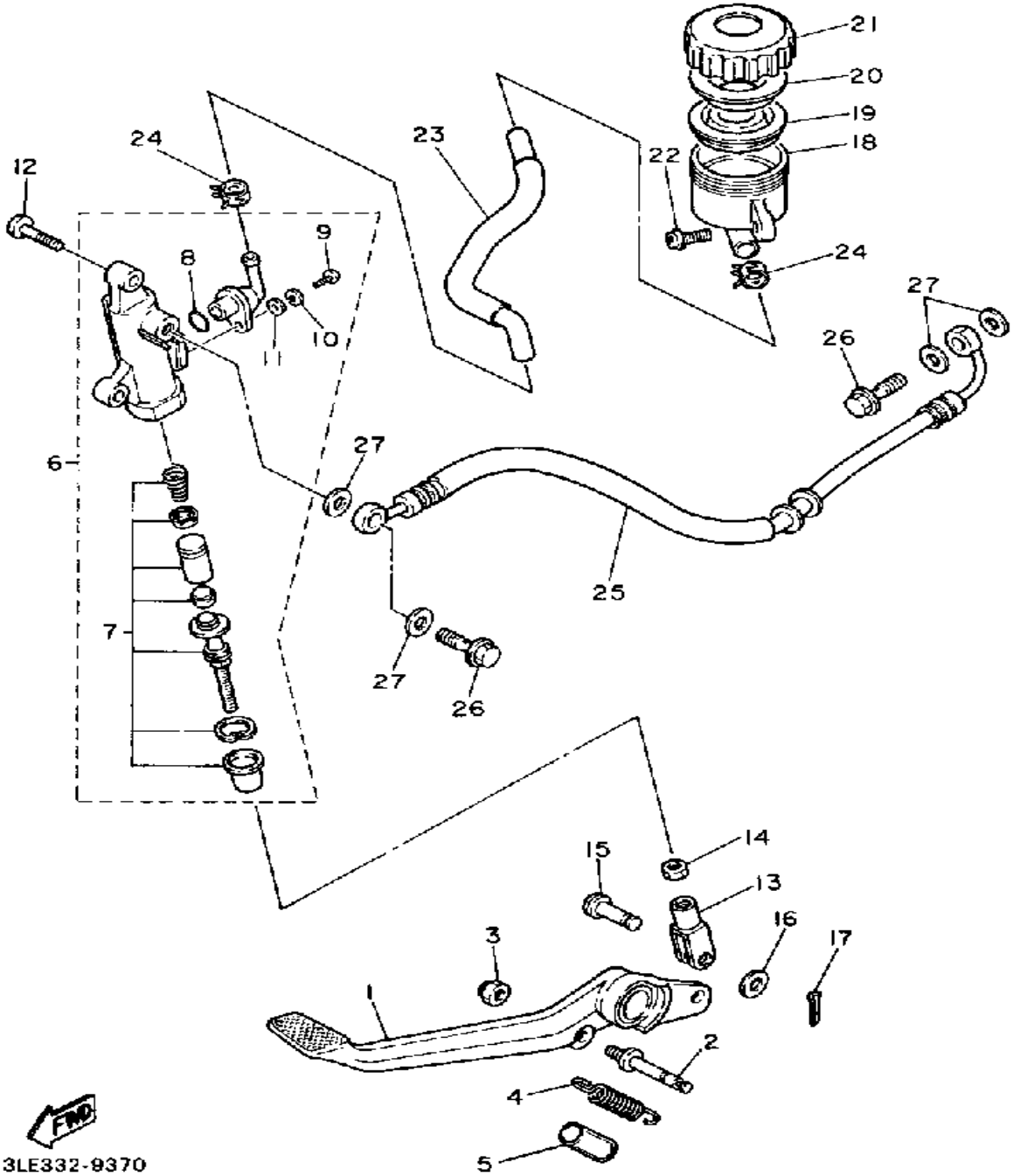
STAND-FOOTREST



3LE332-9360

Ref. No.	Part Number	Description	Qty	Remarks
27	1HX-27431-00-00	FOOTREST, REAR 1	1	
28	90501-12743-00	SPRING, COMPRESSION	1	
29	93501-04011-00	BALL	1	
30	90387-064H8-00	COLLAR	1	
31	1HX-27437-00-00	WASHER, SPECIAL	2	
32	91311-06045-00	BOLT	1	
33	95601-06100-00	NUT, U	1	
34	3GM-2742L-00-00	BRACKET 5	1	
35	3GM-27441-00-00	FOOTREST, REAR 2	1	
36	90501-12743-00	SPRING, COMPRESSION	1	
37	93501-04011-00	BALL	1	
38	90387-064H8-00	COLLAR	1	
39	1HX-27437-00-00	WASHER, SPECIAL	2	
40	91311-06045-00	BOLT	1	
41	95601-06100-00	NUT, U	1	
42	90387-083W8-00	COLLAR	1	
43	95821-08025-00	BOLT, FLANGE	4	
44	2H7-27414-00-00	DAMPER, FOOTREST	1	
45	90387-10636-00	COLLAR	1	
46	90105-10316-00	BOLT, WASHER BASED	1	
47	95701-10500-00	NUT, FLANGE (95702-10500)	1	
48	90201-10669-00	WASHER, PLATE	1	

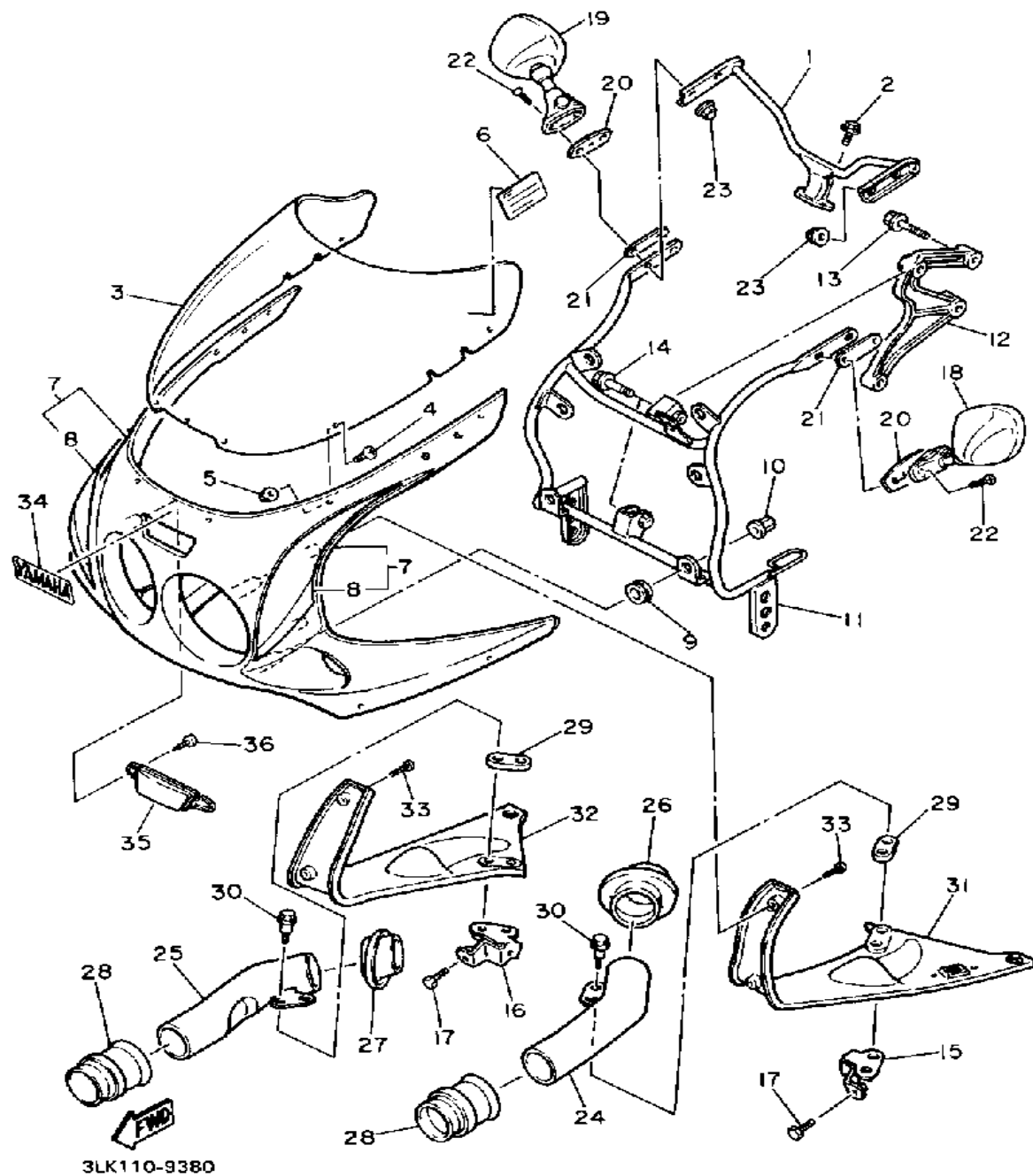
REAR MASTER CYLINDER



Ref. No.	Part Number	Description	Qty	Remarks
1	2GH-27211-00-00	PEDAL, BRAKE	1	
2	2TK-27813-00-00	PIN, PEDAL CRANK	1	
3	95611-08100-00	NUT, U	1	
4	90508-20737-00	SPRING, TORSION	1	
5	90446-17267-00	HOSE	1	
6	3GM-2583V-00-00	RR. MASTER CYLINDER ASSEMBLY.	1	
7	2KR-W0042-50-00	. CYLINDER KIT, MASTER	1	
8	93210-15620-00	. O-RING	1	
9	98511-04012-00	. SCREW, PAN HEAD	1	
10	92901-04100-00	. WASHER, SPRING	1	
11	92901-04600-00	. WASHER, PLATE	1	
12	92011-08030-00	BOLT, BUTTON HEAD	2	
13	47X-27222-00-00	JOINT	1	
14	95303-08700-00	NUT	1	
15	90240-08013-00	PIN, CLEVIS	1	
16	90201-08083-00	WASHER, PLATE	1	
17	91490-20020-00	PIN, COTTER	1	
18	47X-25894-00-00	TANK, RESERVOIR	1	
19	360-25854-00-00	DIAPHRAGM, RESERVOIR ...	1	
20	2GU-25855-00-00	BUSH, DIAPHRAGM	1	
21	2KF-25852-50-00	CAP, RESERVOIR	1	
22	90159-06085-00	SCREW, WITH WASHER	1	
23	3GM-25895-00-00	HOSE, RESERVOIR	1	
24	90467-14057-00	CLIP	2	
25	3GM-25874-00-00	HOSE, BRAKE	1	
26	90401-10096-00	BOLT, UNION	2	
27	90201-10118-00	WASHER, PLATE	4	

3LE332-9370

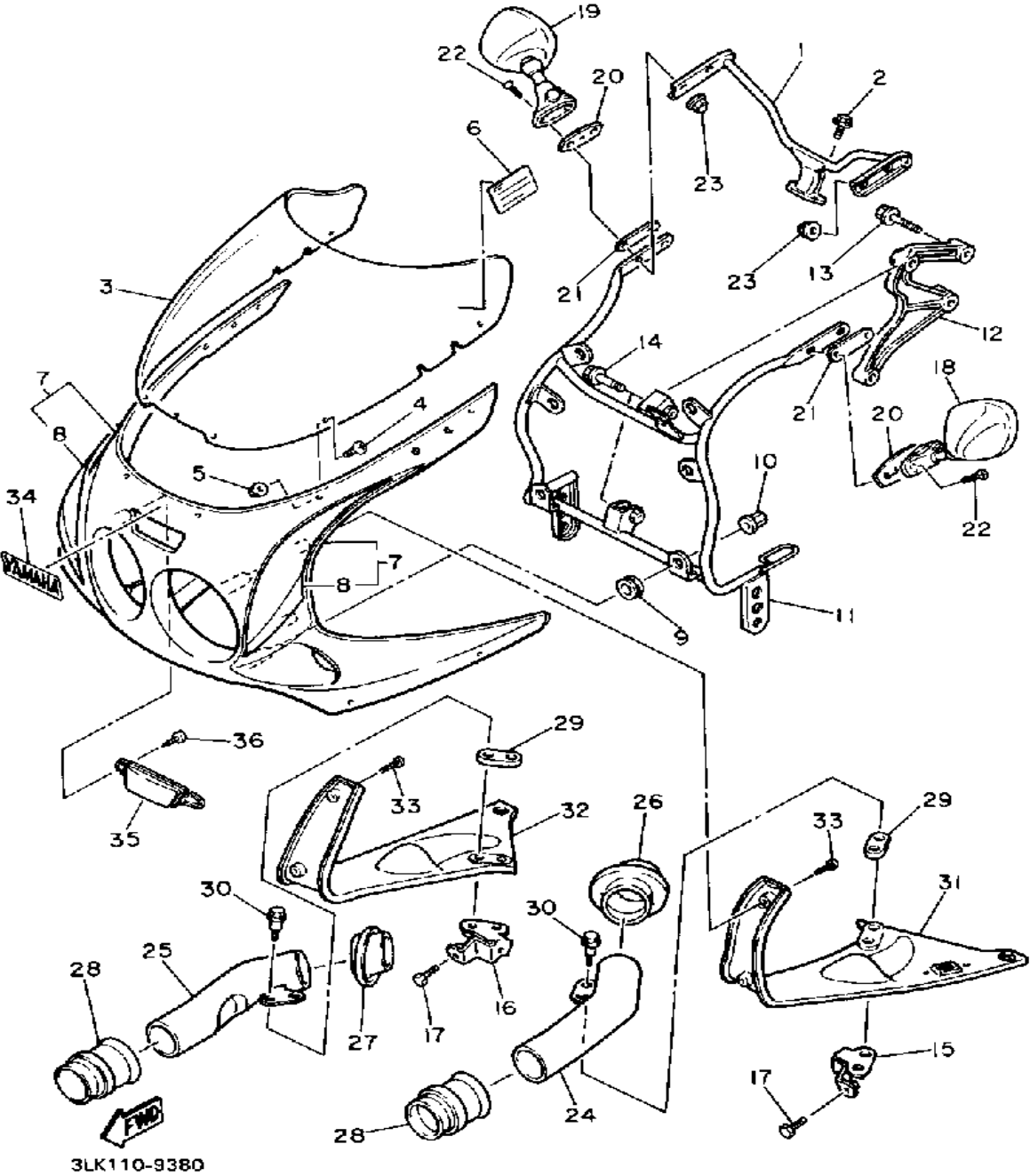
COWLING 1



Ref. No.	Part Number	Description	Qty	Remarks
1	3GM-2831W-00-00	STAY, MIRROR 1	1	
2	95026-06012-00	BOLT, FLANGE	2	
3	3GM-28381-00-00	WINDSHEILD	1	
4	90150-05020-00	SCREW, ROUND HEAD	6	
5	95706-05500-00	NUT, FLANGE	6	
6	3CK-2835Y-00-00	LABEL, CAUTION	1	
7	3GM-W2834-00-GE	BODY, COWLING	1	SILKY WHT
8	3GM-28390-01-00	. GRPHC SET, COWLINGCOWLING	1	
9	90480-14229-00	GROMMET	4	
10	90179-06500-00	NUT	4	
11	3LE-28356-00-00	STAY 1	1	
12	3GM-28357-00-00	STAY 2	1	
13	95811-08035-00	BOLT, FLANGE (95821-08035)	2	
14	90105-08295-00	BOLT, WASHER BASEDBASED	2	
15	3GM-28321-00-00	STAY, LEG SHIELD L (LEFT)	1	
16	3GM-28322-00-00	STAY, LEG SHIELD R	1	
17	91316-06012-00	BOLT, SOCKET HEAD	2	
18	2GH-26280-00-00	MIRROR ASSEMBLYASSY (LEFT)	1	
19	2GH-26290-00-00	MIRROR ASSEMBLYASSY (RIGHT)	1	
20	1AE-26298-00-00	PLATE, MIRROR FITTING 1	2	
21	3CV-26299-00-00	PLATE, MIRROR FITNG	2	
22	98706-06030-00	SCREW, FLAT HEAD	4	
23	90176-06055-00	NUT, CROWN	4	
24	3GM-2838N-00-00	DUCT 1	1	
25	3GM-2838R-00-00	DUCT 2	1	
26	3GM-2838T-01-00	DUCT 3	1	
27	3GM-2838U-01-00	DUCT 4	1	

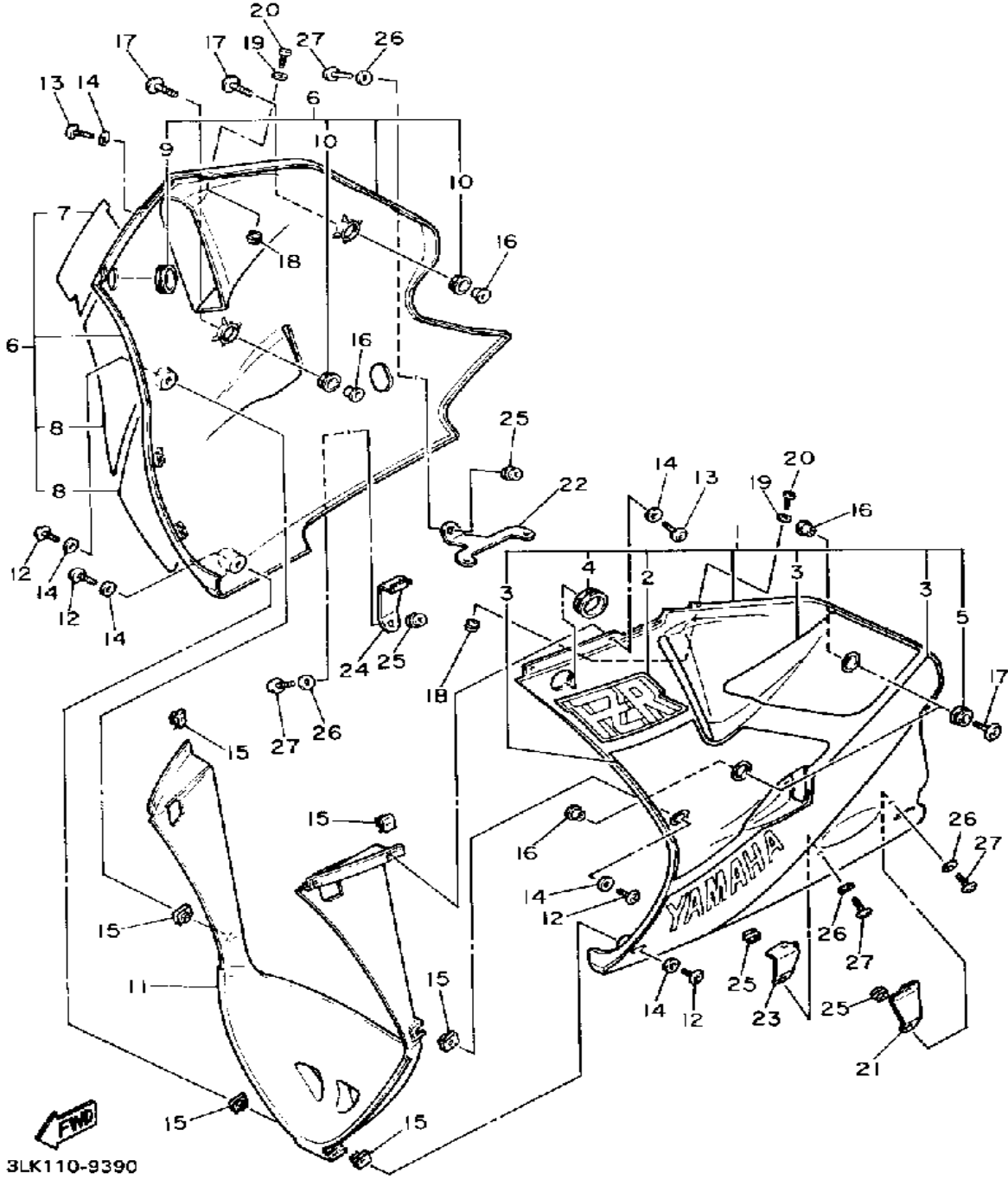
CONTINUED ON NEXT FRAME ►

COWLING 1



Ref. No.	Part Number	Description	Qty	Remarks
28	3GM-2838J-01-00	DUCT 5	2	
29	3GM-28247-00-00	DAMPER 4	2	
30	90109-06797-00	BOLT	4	
31	3GM-2835U-00-00	PANEL 1	1	
32	3GM-2835V-00-00	PANEL 2	1	
33	90167-05025-00	SCREW, TAPPING	4	
34	99233-00025-00	EMBLEM, YAMAHA	1	
35	3LK-84378-00-GE	CAP-SILKY WHITE	1	
36	90167-05025-00	SCREW, TAPPING	2	

COWLING 2

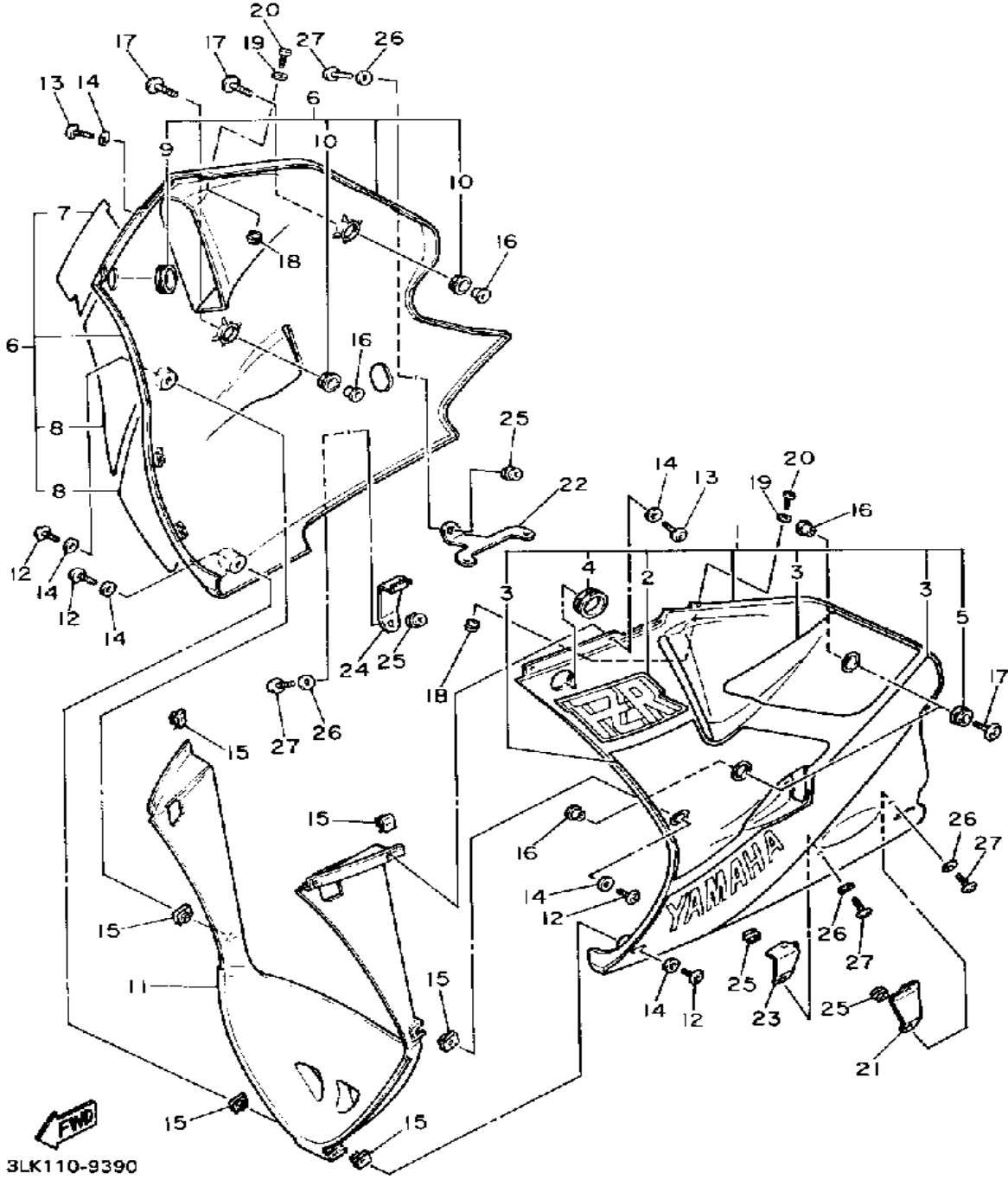


Ref. No.	Part Number	Description	Qty	Remarks
1	3GM-Y283J-00-GE	BODY, FRONT LOWER1	1	SILKY WHT
2	3GM-28328-00-00	. EMBLEM	1	
3	3GM-2836V-01-00	. GRAPHICSET3 COWLIN	1	
4	90480-35526-00	. GROMMET	1	
5	90480-13398-00	. GROMMET	2	
6	3GM-Y283K-00-GE	BODY, FRONT LOWER2	1	SILKY WHT
7	3GM-28338-00-00	. EMBLEM	1	
8	3GM-2836W-01-00	. GRAPHICSET3 COWLIN	1	
9	90480-35526-00	. GROMMET	1	
10	90480-13398-00	. GROMMET	2	
11	3GM-2836K-00-GE	PANEL, INNER 1	1	SILKY WHT
12	90110-05079-00	BOLT, hexagon socket head	4	
13	90149-05224-00	SCREW, SPEC'L SHAPE	4	
14	90202-05180-00	WASHER, PLATE	8	
15	90183-05024-00	NUT, SPRING	8	
16	90387-067N5-00	COLLAR	4	
17	90110-06083-00	BOLT, HEX SKT HEAD	4	
18	90179-05523-00	NUT	2	
19	90202-05180-00	WASHER, PLATE	2	
20	90149-05224-00	SCREW, SPEC'L SHAPE	2	
21	3GM-2836A-00-00	BRACKET 1	1	
22	3GM-2836E-00-00	BRACKET 2	1	
23	3GM-2836F-00-00	BRACKET 3	1	
24	3GM-2836G-00-00	BRACKET 4	1	
25	90179-05523-00	NUT	4	

CONTINUED ON NEXT FRAME ➤

3LK110-9390

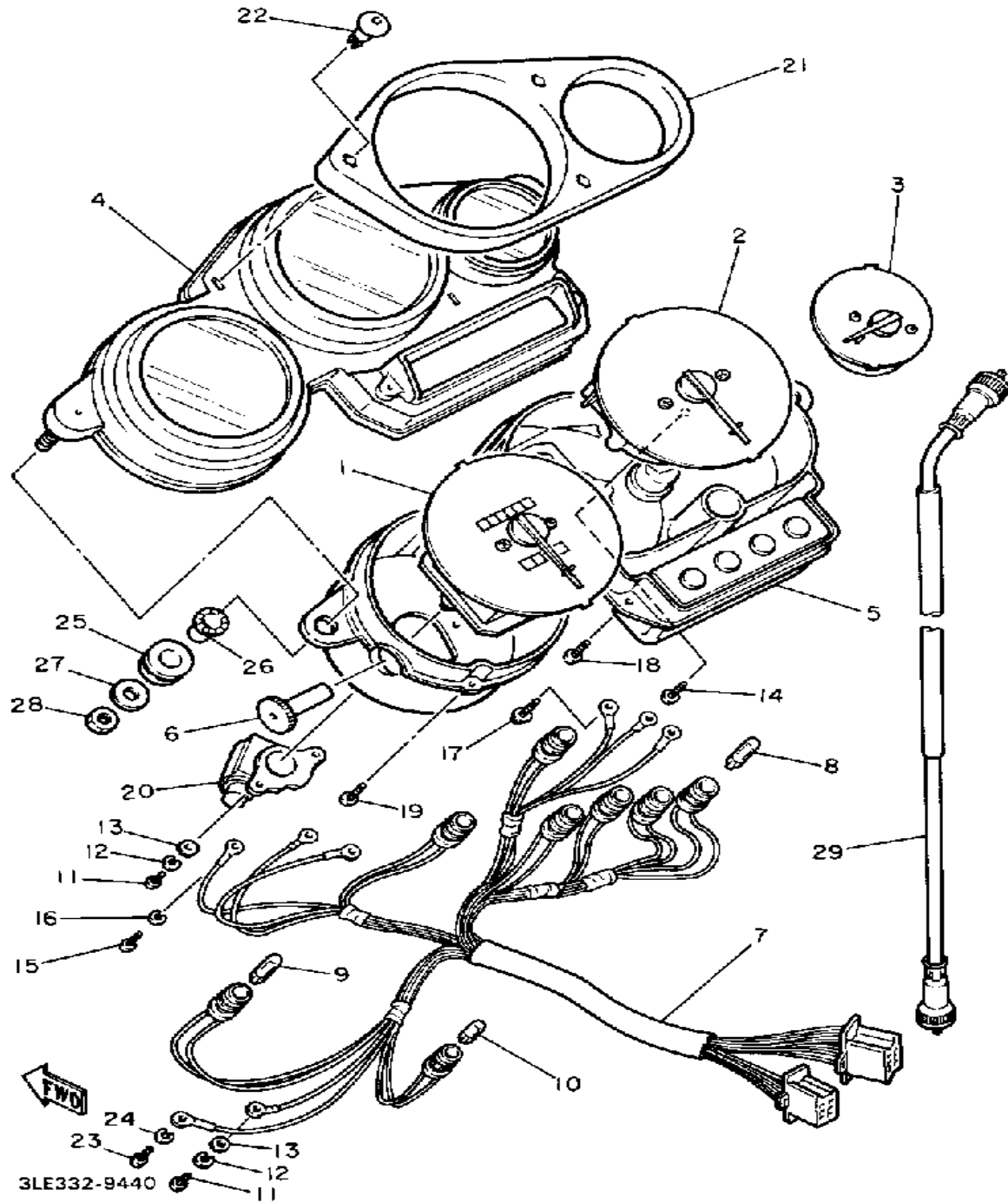
COWLING 2



3LK110-9390

Ref. No.	Part Number	Description	Qty	Remarks
26	90202-05180-00	WASHER, PLATE	4	
27	90149-05224-00	SCREW, SPEC'L SHAPE	4	

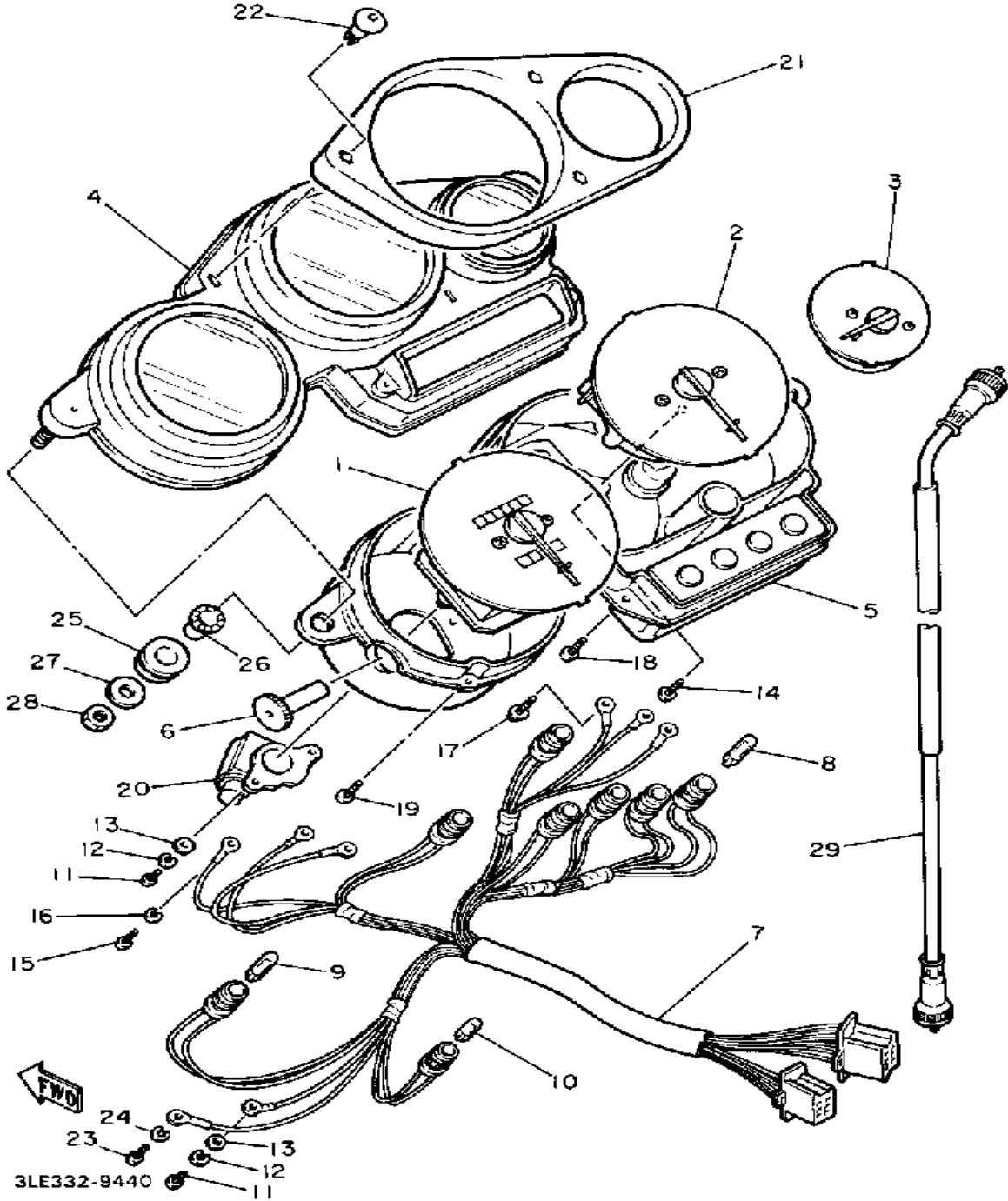
METER



Ref. No.	Part Number	Description	Qty	Remarks
1	3LG-83570-00-00	SPEEDOMETER ASSEMBLY ..	1	
2	3GM-83540-00-00	TACHOMETER ASSEMBLY ...	1	
3	3GM-83590-00-00	WATER TEMP METERASSEMBLY	1	
4	3GM-83559-00-00	COVER, METER	1	
5	3GM-8353H-00-00	CASE, UNDER	1	
6	2GH-83578-00-00	KNOB, TRIP METER	1	
7	3HE-83509-50-00	SOCKET CORD ASSEMBLY ..	1	
8	4G1-84744-00-00	BULB, MTR.12V3.4W	4	
9	3GM-83517-00-00	BULB (12V-1.7W)	3	
10	2GV-83517-00-00	BULB (12V-1.7W, T6.5)	1	
11	98580-04010-00	SCREW, PAN HEAD	4	
12	92901-04100-00	WASHER, SPRING	4	
13	92901-04600-00	WASHER, PLATE	4	
14	90167-04057-00	SCREW, TAPPING	2	
15	98580-03010-00	SCREW, PAN HEAD (98502-03010)	3	
16	92990-03100-00	WASHER, SPRING (92901-03100)	3	
17	90159-03102-00	SCREW, WITH WASHER	3	
18	90164-04008-00	SCREW, TAPPING	4	
19	90167-03058-00	SCREW, TAPPING	1	
20	3GM-83520-00-00	SOCKET CORD ASSEMBLY ..	1	
21	3GM-83513-00-00	DAMPER	1	
22	3GM-83525-00-00	CLIP	3	
23	98501-03012-00	SCREW, PAN HEAD	1	
24	92990-03100-00	WASHER, SPRING (92901-03100)	1	
25	90480-14229-00	GROMMET	2	
26	90387-07391-00	COLLAR	2	

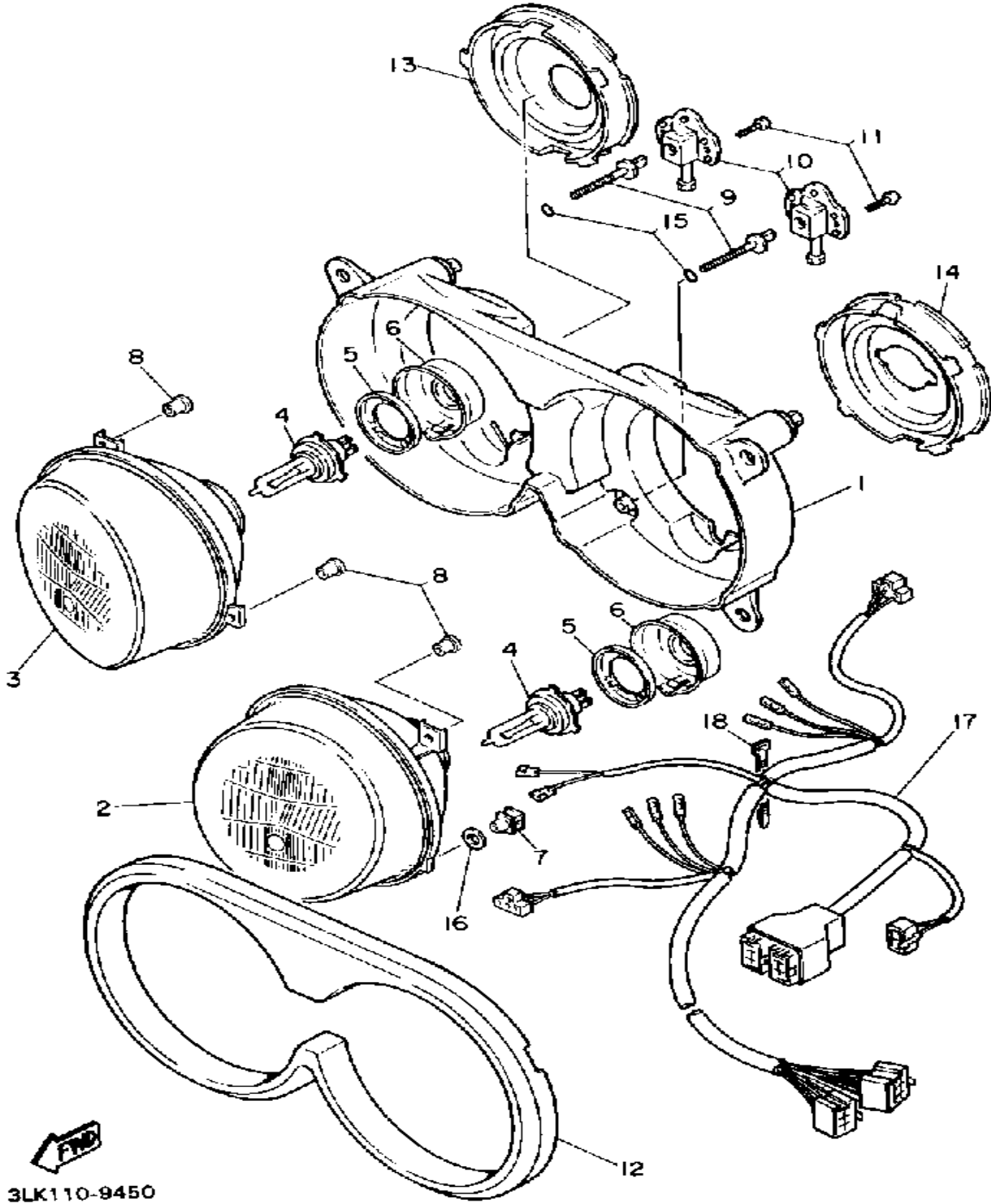
CONTINUED ON NEXT FRAME ►

METER



Ref. No.	Part Number	Description	Qty	Remarks
27	90201-06059-00	WASHER, PLATE	2	
28	95316-06600-00	NUT	2	
29	2GH-83550-00-00	SPEEDOMETER CABLECABLE ASSEMBLY	1	

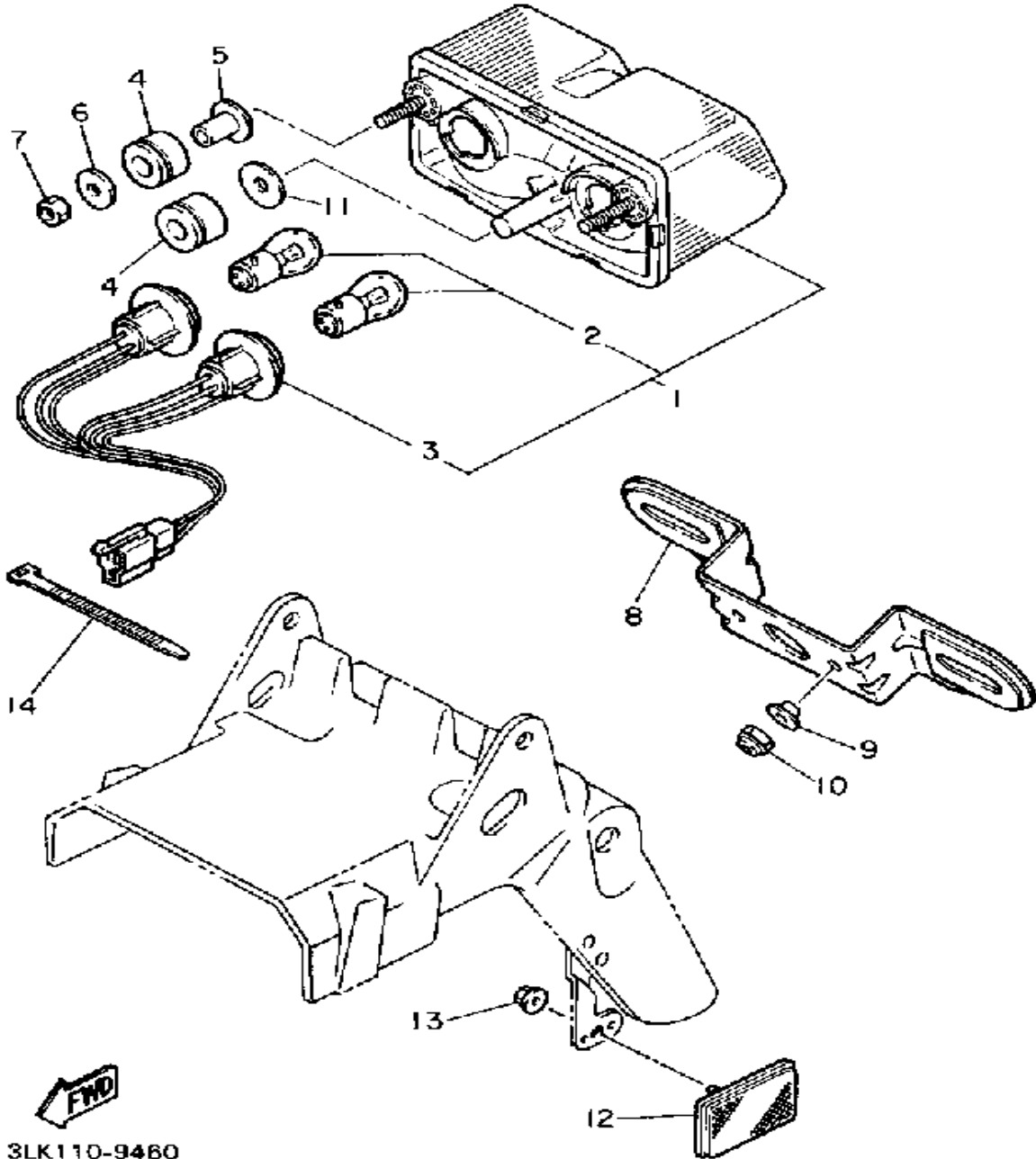
HEADLIGHT



Ref. No.	Part Number	Description	Qty	Remarks
1	3GM-84330-00-00	BODY ASSEMBLY	1	
2	3LG-84320-00-00	LENS ASSEMBLY	1	
3	3LG-8432A-00-00	LENS ASSEMBLY	1	
4	1ML-84314-00-XX	BULB (12V-35/35W) (1FM-84314-H0-00)	2	HALOGEN
5	2F9-84375-00-00	SETTING PLATE, BULB	2	
6	2F9-84397-01-00	COVER, SOCKET	2	
7	3AJ-8431U-00-00	HOLDER	2	
8	51L-84334-00-00	NUT, ADJUSTING	4	
9	2AX-84331-00-00	SCREW, RIM ADJUSTING	2	
10	3MA-8430M-00-00	GEAR UNIT ASSEMBLY	2	
11	97706-40616-00	SCREW, TAPPING	4	
12	3HE-84366-00-00	DAMPER, HEADLIGHT 1	1	
13	2LA-84397-00-00	COVER, SOCKET	1	
14	2LA-84397-10-00	COVER, SOCKET	1	
15	93210-06632-00	O-RING	2	
16	3GM-84344-00-00	WASHER, PLAIN	2	
17	3LK-84359-00-00	CORD, HEADLIGHT	1	
18	5Y9-12491-00-00	CLAMP 1	3	

3LK110-9450

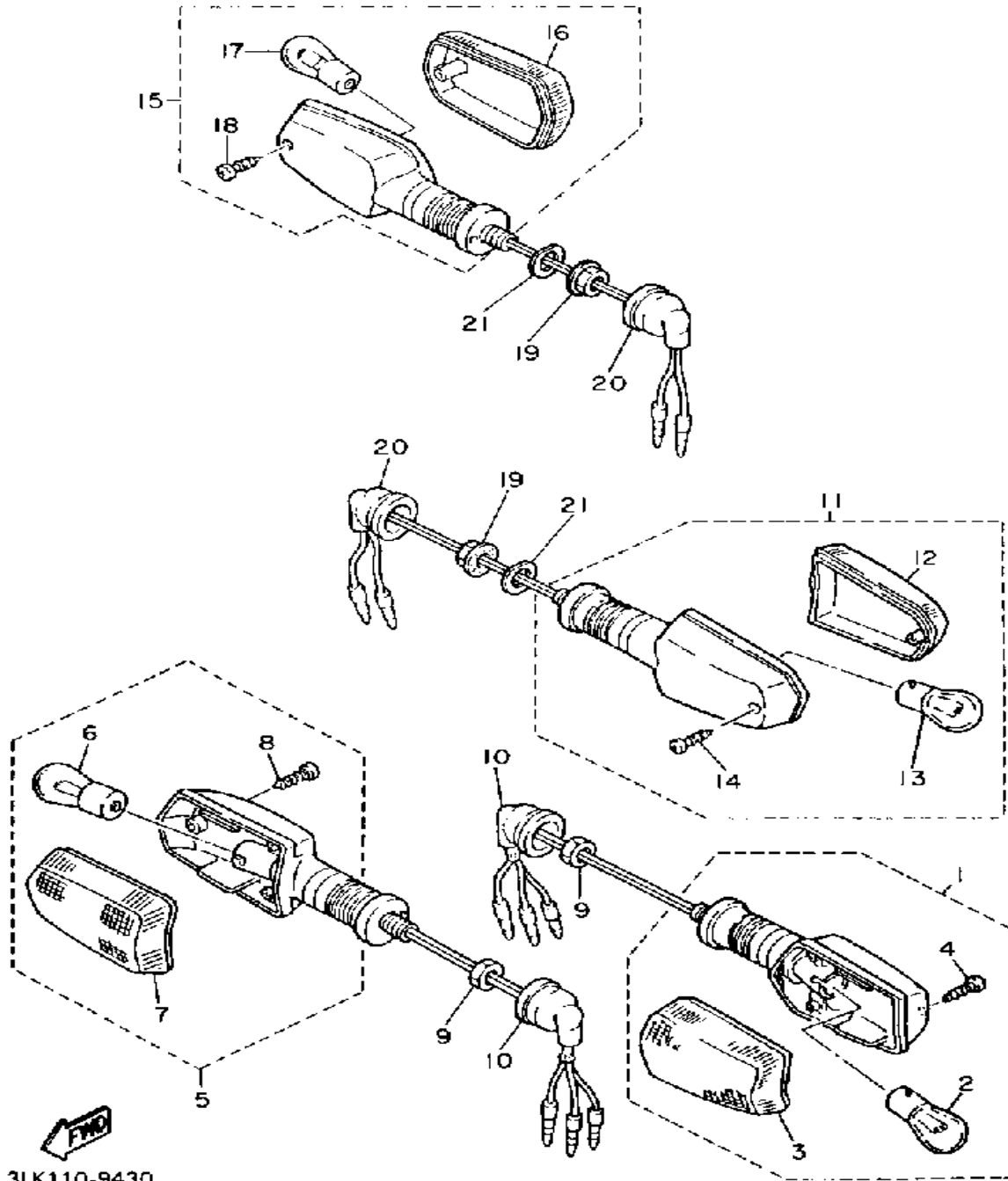
TAILLIGHT



Ref. No.	Part Number	Description	Qty	Remarks
1	3LK-84710-10-00	TAILLIGHT UNIT ASSEMBLY	1	
2	256-84714-61-00	. BULB (12V-27/8W)	2	
3	3LK-8473A-00-00	. CORD ASSEMBLY	1	
4	90480-18407-00	GROMMET	3	
5	90387-062W3-00	COLLAR	2	
6	90201-063J2-00	WASHER, PLATE	2	
7	95380-06600-00	NUT	2	
8	2LJ-84751-00-90	BRACKET, LICENSE	1	UNI-CROM (BLACK)
9	90387-061M0-00	COLLAR	2	
10	95616-06100-00	NUT, U	2	
11	92906-10200-00	WASHER	1	
12	3G1-85130-01-00	REAR REFLECTOR ASSEMBLY	2	
13	95701-05500-00	NUT, FLANGE	2	
14	5Y9-12491-00-00	CLAMP 1	1	

3LK110-9460

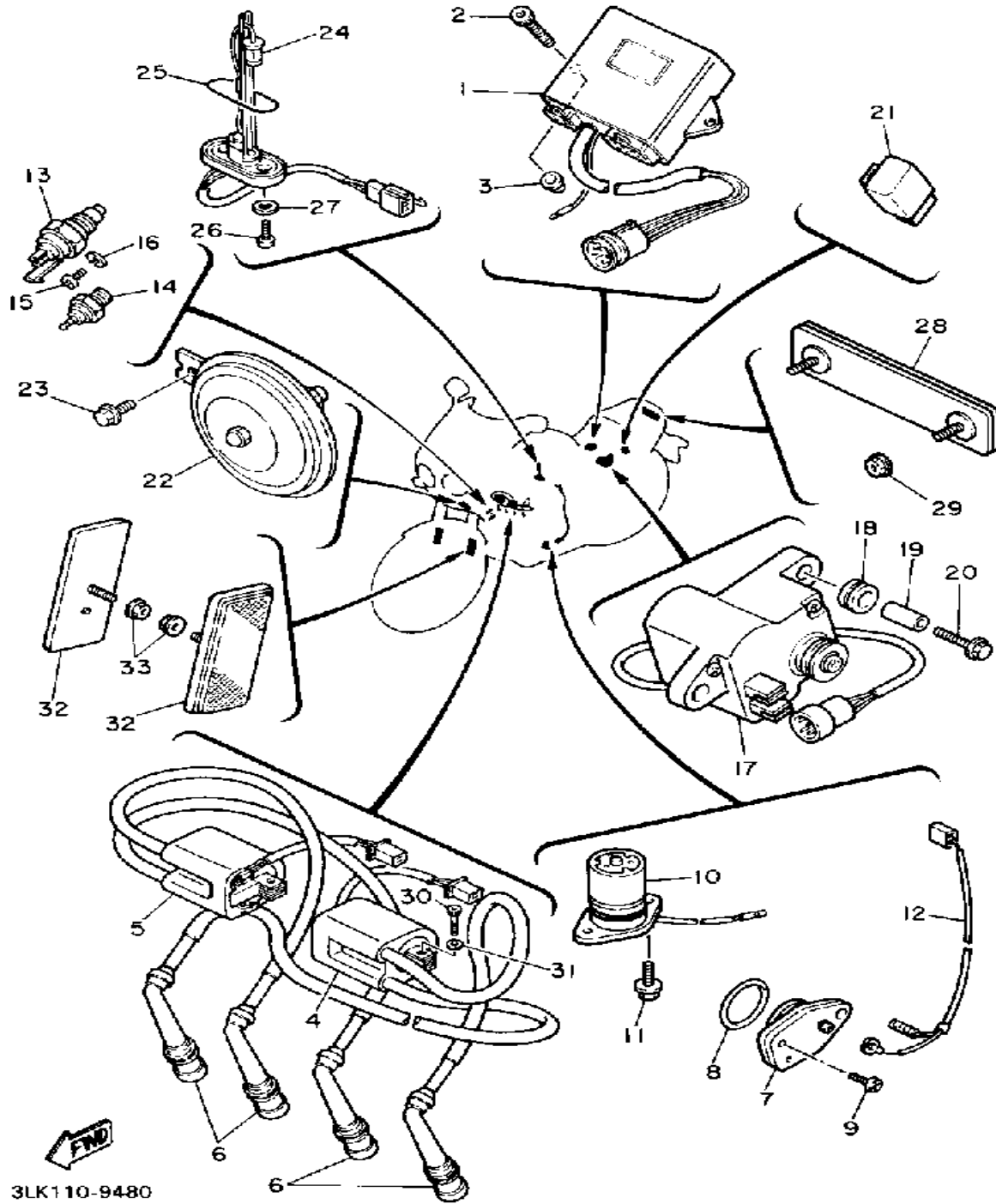
TURNSIGNAL



FWD
3LK110-9430

Ref. No.	Part Number	Description	Qty	Remarks
1	1LJ-83310-20-00	FRONT FLASHER LIGHT ASSEMBLY 1	1	
2	256-84714-61-00	. BULB (12V-27/8W)	1	
3	51L-83332-01-00	. LENS, FLASHER	1	
4	97706-40620-00	. SCREW, TAPPING	1	
5	1LJ-83320-20-00	FRONT FLASHER LIGHT ASSEMBLY 2	1	
6	256-84714-61-00	. BULB (12V-27/8W)	1	
7	51L-83342-01-00	. LENS, FLASHER 2	1	
8	97706-40620-00	. SCREW, TAPPING	1	
9	95306-12600-00	NUT	2	
10	18G-83365-00-00	CAP	2	
11	1UF-83330-00-00	REAR FLASHER LIGHT ASSEMBLY 1	1	
12	51L-83342-01-00	. LENS, FLASHER 2	1	
13	256-83311-70-XX	. BULB, TS 12V27W	1	
14	97706-40620-00	. SCREW, TAPPING	1	
15	1UF-83340-00-00	FLASHER LIGHT ASSEMBLY 2	1	
16	51L-83332-01-00	. LENS, FLASHER	1	
17	256-83311-70-XX	. BULB, TS 12V27W	1	
18	97706-40620-00	. SCREW, TAPPING	1	
19	95706-12500-00	NUT, FLANGE	2	
20	18G-83365-00-00	CAP	2	
21	90214-12033-00	WASHER, CLAW	2	

ELECTRICAL 1

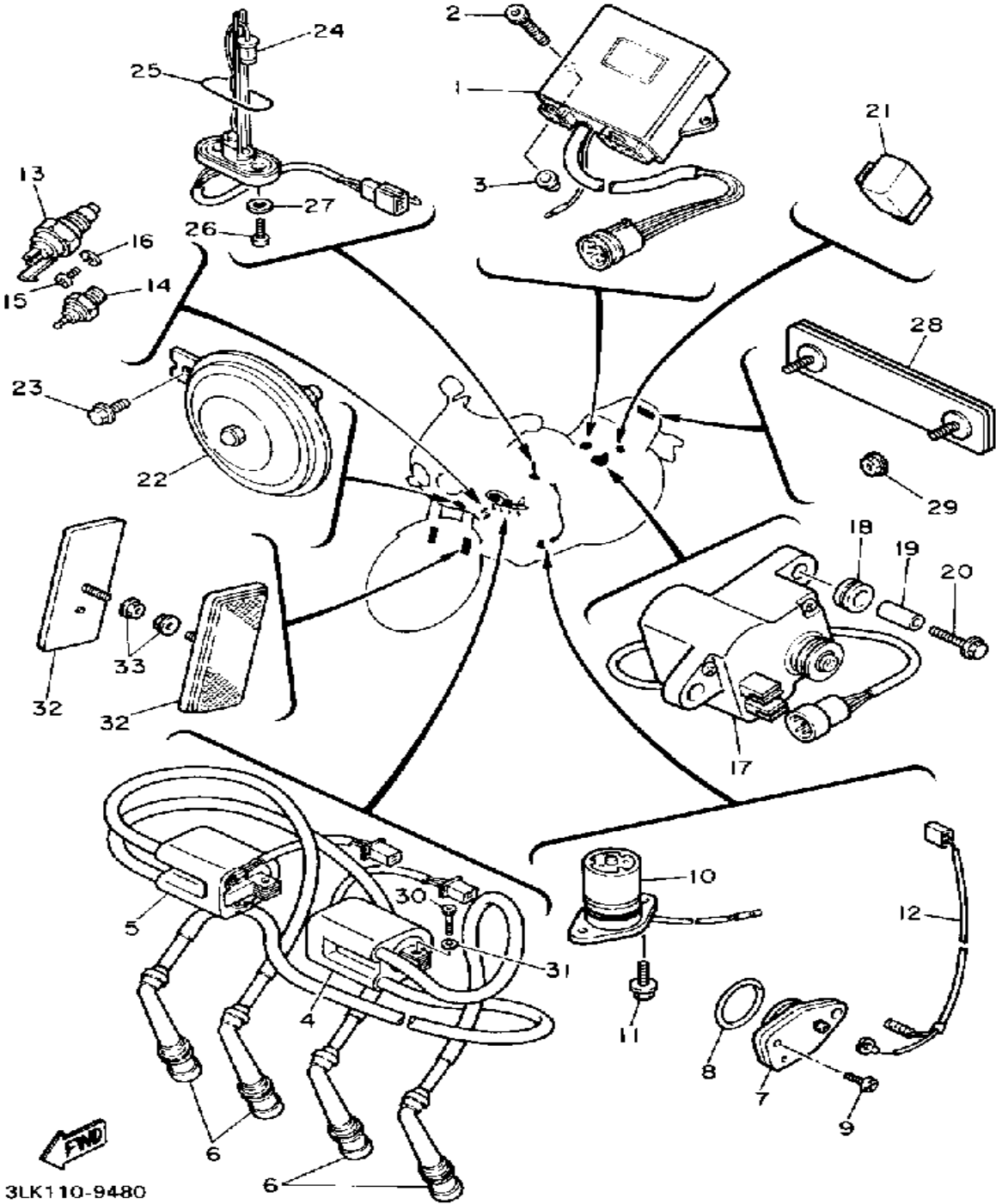


3LK110-9480

Ref. No.	Part Number	Description	Qty	Remarks
1	3LK-82305-01-00	IGNITOR UNIT ASSEMBLY ...	1	
2	90110-06158-00	BOLT, HEXAGON SOCKET HEAD	1	
3	31A-14477-00-00	PLATE	1	
4	3GM-82310-00-00	IGNITION COIL ASSEMBLY ...	1	
5	3GM-82320-00-00	IGNITION COIL ASSEMBLY ...	1	
6	2KT-82370-00-00	PLUG CAP ASSEMBLY	4	
7	1AE-82540-00-00	NEUTRAL SWITCH ASSEMBLY	1	
8	93210-29196-00	O-RING	1	
9	98503-06014-00	SCREW, PAN HEAD (92502-06016)	2	
10	3GM-85720-00-00	OIL LEVEL GAUGE ASSEMBLY	1	
11	95026-06016-00	BOLT, FLANGE	2	
12	1AE-82509-00-00	WIRE, SUB LEAD	1	
13	2EL-82560-00-00	THERMO SWITCH ASSEMBLY	1	
14	11H-83591-00-00	THERMO UNIT	1	
15	98580-05010-00	SCREW, PAN HEAD	1	
16	92990-05100-00	WASHER, SPRING	1	
17	3HW-85820-01-00	SERVOMOTOR ASSEMBLY ...	1	
18	90480-14412-00	GROMMET	2	
19	90387-065V1-00	COLLAR	2	
20	91001-06030-00	BOLT, FLANGE	2	
21	2UJ-83350-00-00	FLASHER RELAY ASSEMBLY .	1	
22	2TV-83371-00-00	HORN	1	
23	91026-06012-00	BOLT, FLANGE (1VJ)	1	
24	3GM-85752-01-00	SENDER UNIT ASSEMBLY, FUEL METER	1	
25	42X-85753-00-00	GASKET, SENDER UNIT	1	
26	90149-06011-00	SCREW	2	
27	90202-05187-00	WASHER, PLATE	2	

CONTINUED ON NEXT FRAME ►

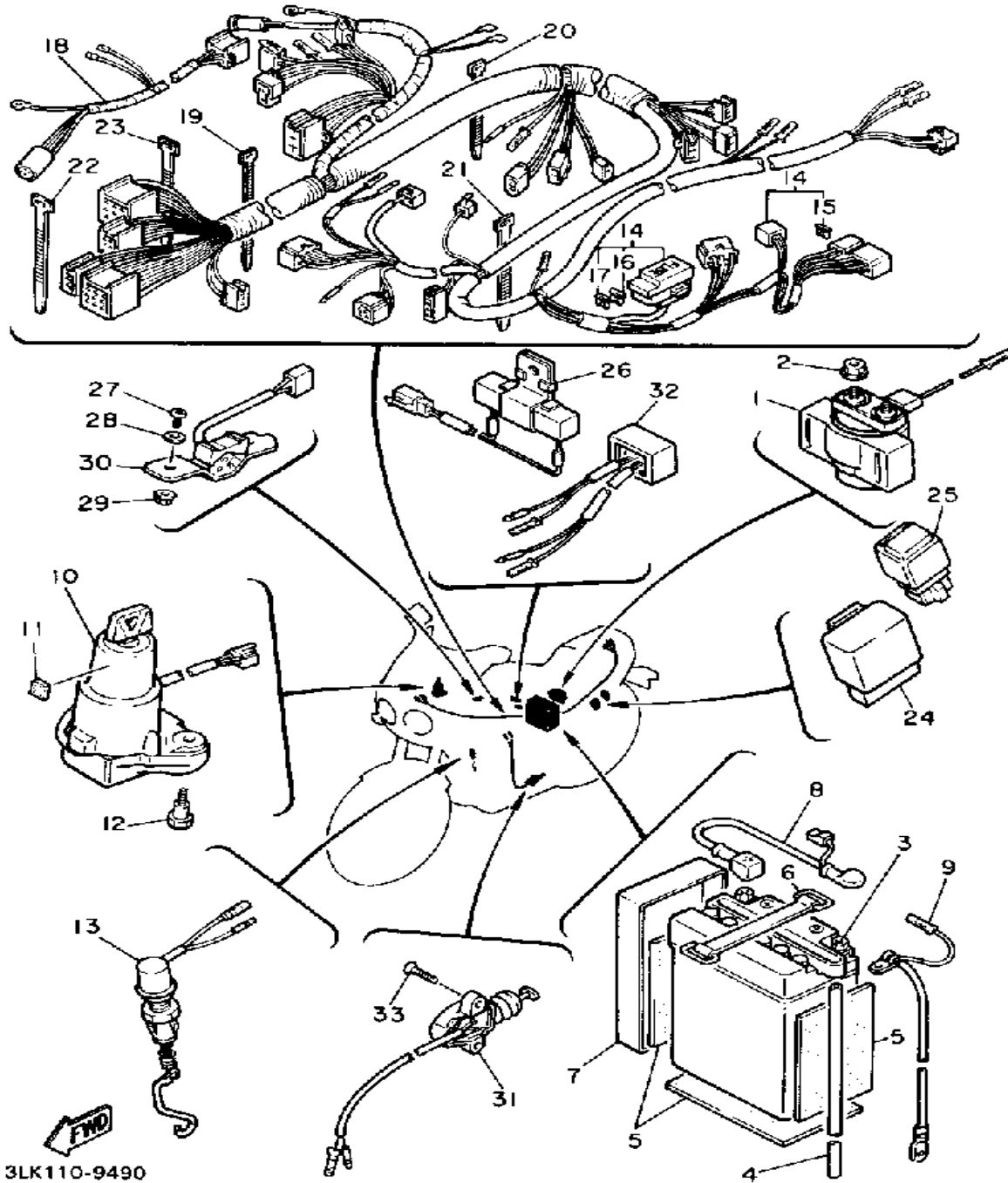
ELECTRICAL 1



Ref. No.	Part Number	Description	Qty	Remarks
28	1FK-85130-00-00	REAR REFLECTOR ASSEMBLY	1	
29	95701-05500-00	NUT, FLANGE	2	
30	97011-06020-00	BOLT	4	
31	92990-06600-00	WASHER, PLATE	4	
32	11H-85110-01-00	REFLECTOR ASSEMBLY	2	
33	95701-05500-00	NUT, FLANGE	2	

3LK110-9480

ELECTRICAL 2

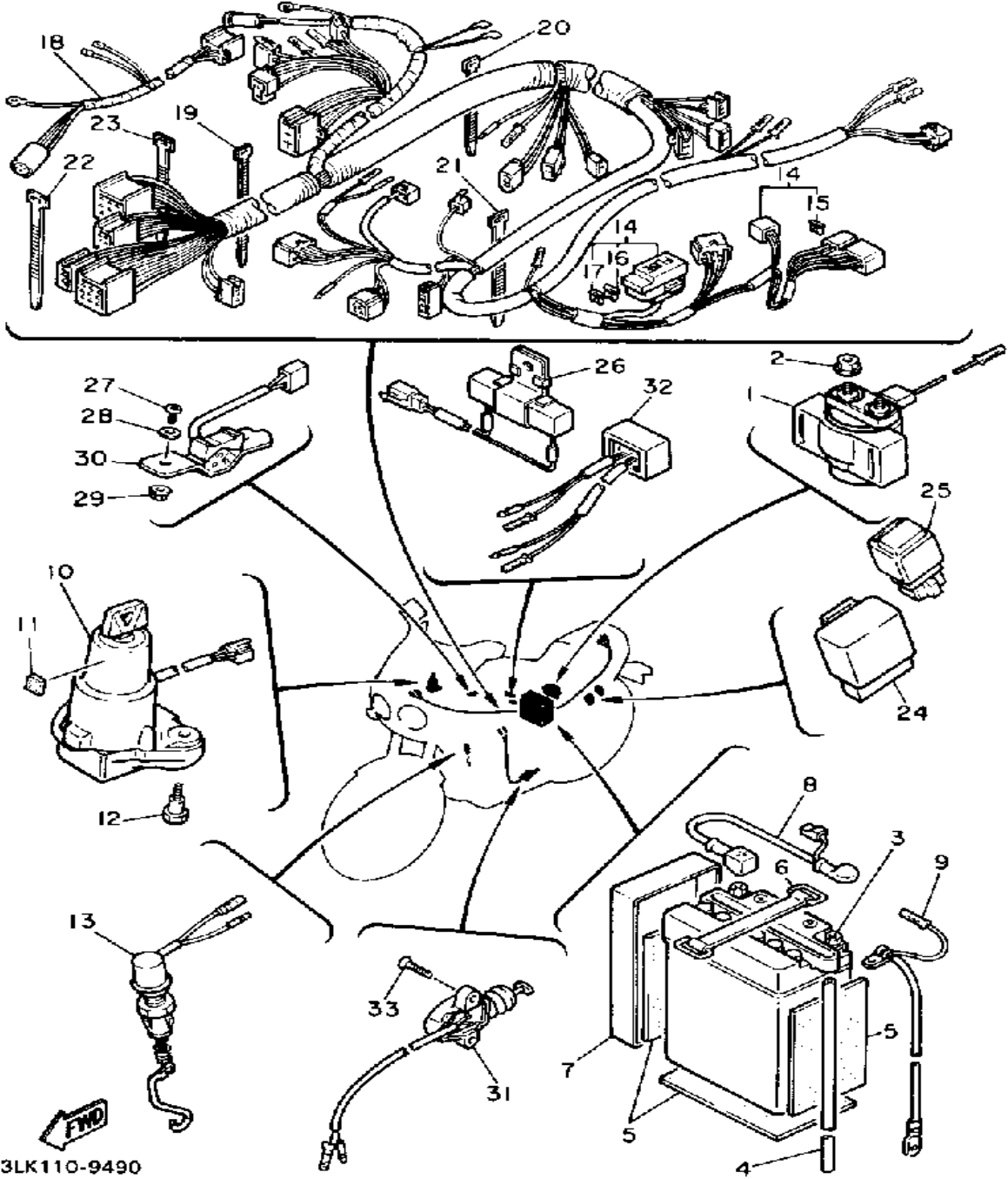


Ref. No.	Part Number	Description	Qty	Remarks
1	36Y-81940-00-00	STARTER RELAY ASSEMBLY	1	
2	95701-06500-00	NUT, FLANGE	2	
3	BTY-YB14L-A2-00	BATTERY ASSEMBLY (YB14L-A2)	1	YAMAHA
4	90445-08719-00	HOSE	1	
5	5X2-24183-00-00	DAMPER, LOCATING 3	3	
6	2T4-82131-00-00	BAND, BATTERY	1	
7	1UA-82124-00-00	BAND, BATTERY	1	
8	2GH-82115-00-00	WIRE, PLUS LEAD	1	
9	3GM-82116-00-00	WIRE, MINUS LEAD	1	
10	3JV-82501-00-00	MAIN SWITCH STEERING LOCK	1	
11	3GM-23426-00-00	DAMPER	1	
12	90149-06228-00	SCREW	2	
13	3GM-82530-02-00	STOP SWITCH ASSEMBLY	1	
14	3LK-82590-00-00	WIRE HARNESS ASSEMBLY	1	
15	1AE-82151-00-00	. FUSE (30A-BL)	2	
16	42X-82151-00-00	. FUSE (10A-BL)	4	
17	2GH-82151-00-00	. FUSE (20A-BL)	2	
18	3GM-82509-00-00	WIRE, SUB LEAD	1	
19	437-83936-01-00	BAND, SWITCH CORD	5	
20	90465-13169-00	CLAMP	1	
21	90464-13073-00	CLAMP	1	
22	90464-13073-00	CLAMP	1	
23	90464-13073-00	CLAMP	1	
24	3EN-81950-00-00	RELAY ASSEMBLY	1	
25	3GM-81950-00-00	RELAY ASSEMBLY	1	
26	3KS-85370-00-00	RESISTOR ASSEMBLY	1	

CONTINUED ON NEXT FRAME ►

3LK110-9490

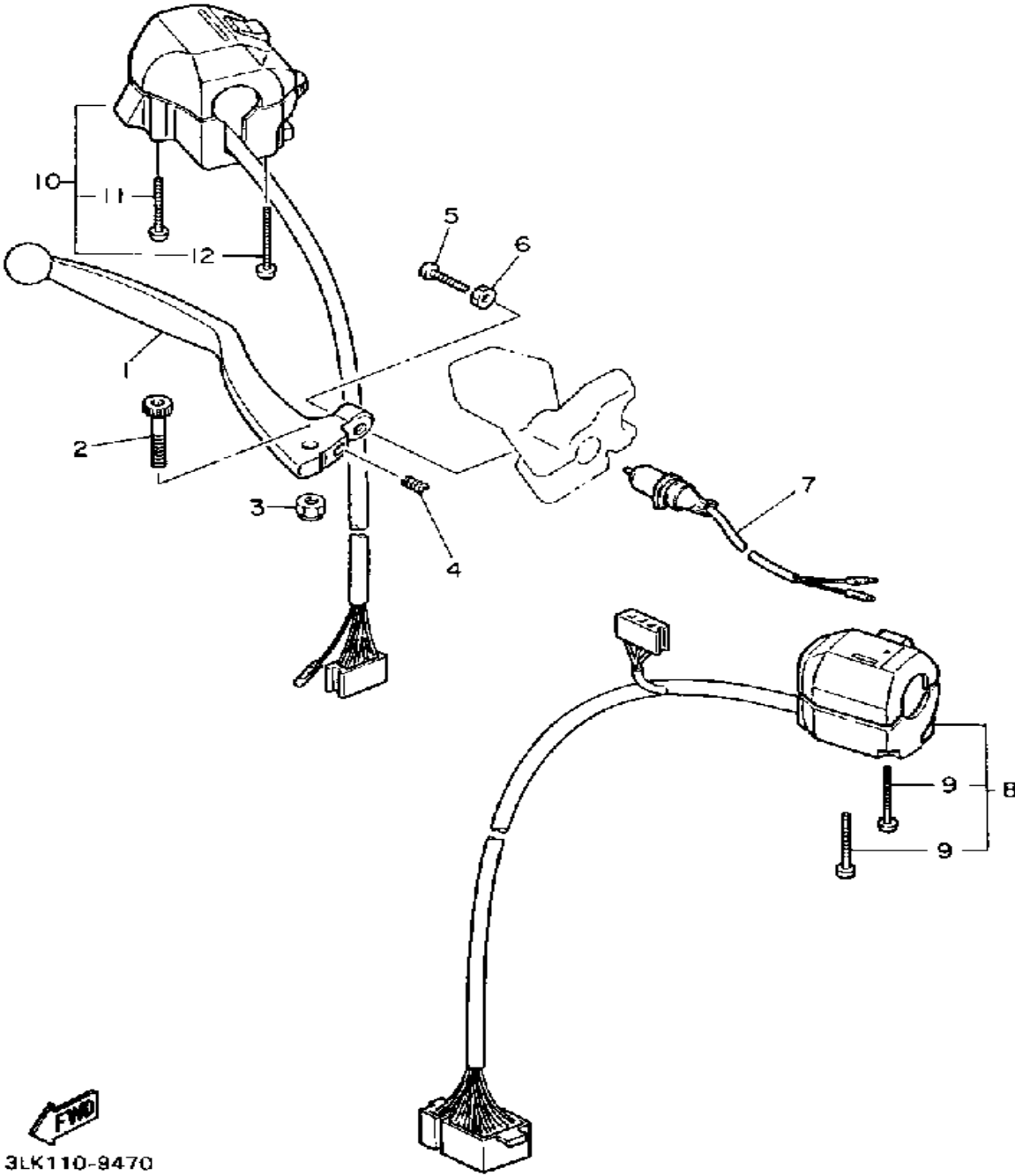
ELECTRICAL 2



Ref. No.	Part Number	Description	Qty	Remarks
27	98516-05012-00	SCREW, PAN HEAD 4CG	2	
28	92906-05600-00	WASHER, PLATE	2	
29	95701-05500-00	NUT, FLANGE	2	
30	3TJ-83964-00-00	SWITCH	1	
31	2KT-82566-01-00	SWITCH, SIDE STAND	1	
32	(3GM-81965-00-00)	CONDENSER, SMOOTHNG	1	
33	90152-05021-00	SCREW, COUNTERSUNK	2	

3LK110-9490

HANDLE SWITCH-LEVER



Ref. No.	Part Number	Description	Qty	Remarks
1	3GM-83922-00-00	LEVER R	1	
2	90109-06577-00	BOLT	1	
3	95601-06100-00	NUT, U	1	
4	90501-10312-00	SPRING, COMPRESSION	1	
5	90149-06153-00	SCREW, SPEC'L SHAPE	1	
6	90170-06010-00	NUT	1	
7	ø2N-T8398-00-0-	UNAVAILABLE IN PRICE BOOKSWITCH ASSEMBLY ...	1	
8	3LK-83973-00-00	SWITCH, HANDLE 3	1	
9	98506-05035-00	. SCREW, PAN HEAD	2	
10	1VE-83975-00-00	SWITCH, HANDLE 2	1	
11	98506-05040-00	. SCREW, PAN HEAD	1	
12	98506-05045-00	. SCREW, PAN HEAD	1	

3LK110-9470

FZR1000W, WC 1989 SERVICE DATA

MODEL / PREFIX	FZR1000W / 3LK FZR1000WC / 3LK
INITIAL ENGINE NUMBER / FRAME NUMBER	W: 3LK-000101/JYA3LKE0()KA000101 WC: 3LK-002101/JYA3LKE0()KA002101
ENGINE:	Liquid-Cooled, 4-Stroke, 5-Valve, DOHC Four
Bore / Stroke / Number Cylinders / Displacement	75.5mm / 56mm / 4 / 1003cc
Compression Ratio/Pressure Standard (Min~Max)	12:1 / 199 psi (193~210 psi) @ 400 rpm
Valve Clearance (Cold): Intake / Exhaust	0.11~0.20mm / 0.21~0.30mm
Oil Type: Above 5°C (40°F)	Yamalube 4* or SAE 20W40 SE or SF
Oil Type: Below 15°C (60°F)	SAE 10W30 SE or SF
Capacity: Oil and Filter Change / Oil Change Only	3000cc (3.2 qt) / 2700cc (2.9 qt)
Oil Filter Part Number	36Y-13441-00-00
TRANSMISSION:	
Oil Type/Capacity/Drive Chain Free Play	See ENGINE / φ / 15~20mm
MIDDLE GEAR CASE: Oil Type / Capacity	φ / φ
FINAL GEAR CASE: Oil or Grease Type/Capacity	φ / φ
FUEL TANK: Main / Reserve / Fuel Type	19 Lit (5 gal)/3.5 Lit (0.9 gal)/Unleaded Regular
COOLING SYSTEM: Coolant Type / Mixing Ratio (Liquid)	Ethylene Glycol - Water / 1:1
CARBURETOR:	
Manufacturer / Type / ID Number	Mikuni/BDST38 / W:3LK-00 WC:3LK-10
Main Jet / Pilot Jet / Pilot Screw (Turns Out)	#1, 4: #125 #2, 3: #122.5 / #37.5 / φ
Needle Jet / Jet Needle / Clip Position	Y-0 / SCEW9 / Fixed
Slide Cutaway	φ
Float Height / Fuel Level	NA / 11 ±0.5mm (With Special Tool)
Idle rpm	1000 ±50
Max CO _e / Max HC _e / Set CO _e	7% / 2000 ppm / 4.0 ±0.5% @ 1000 rpm
SUSPENSION:	
Front: Oil Type / Level / Quantity	10 wt. Fork Oil* / 116mm / 535cc
Gas or Air Pressure Min ~ Max / Standard	φ / φ
Rear: Gas or Air Pressure Min ~ Max / Standard	NA / 1.2 kg/cm ² (17 psi)
TIRES: Size / Nominal Pressure: Front	130/60 ZR17 / 2.5 kg/cm ² (36 psi)
Size / Nominal Pressure: Rear	170/60 ZR17 / 2.5 kg/cm ² (36 psi)
BATTERY:	
Model / Capacity	YB-14L / 12V 14AH
Specific Gravity / Charge Rate	1.280 / 1.4A
IGNITION SYSTEM:	Transistor Controlled (Digital)
Timing (BIDC)	5° @ 1000 rpm Full Adv: 40° @ 5500 rpm
Spark Plug / Gap	NGK DP8EA-9 or ND X24EP-U9 / 0.8~0.9mm
LIGHTING SYSTEM:	
Headlight / Taillight / Turn Signal	12V 35-35W / 12V 27-8W / 12V 27W
SERVICE LITERATURE:	
Owner's Manual	LIT-11626-06-80
Service Manual	LIT-11616-06-80
Assembly Manual	LIT-11666-06-80
Consumer Information	LIT-11656-04-50

φ = Does not apply to this model
NA = Information not available

* = Available from YPDI
e = For diagnostic use only

TORQUE VALUES				
APPLICATION	SIZE	m-kg	ft-lb	NOTES
Front Axle Nut	M14	7.0	50	
Front Axle Holder Nut	M8	2.0	14	
Rear Axle Nut	M16	15.0	108	
Rear Axle Pinch Bolt	φ			
Clutch Nut	M20	7.0	50	
Drain Plug	M14	4.3	31	
Flywheel Nut				
Cylinder Head Cover	M6	1.0	7	
Cylinder Head	M9	4.1	30	
Engine Mounting Bolts: Front & Rear Upper	M10	6.0	43	
Front Lower		3.3	24	
Rear Upper		5.5	40	
Pivot Shaft	M14	13.0	94	
Spark Plug		1.75	13	

- ¹ Use Lock Washer
- ² Use Loctite[®]
- ³ Use Motor Oil
- ⁴ Use Motor Oil on Washers

- ⁵ Stake
- ⁶ Left-Hand Threads
- φ Does not apply to this model

PAGE 2 OF 2 ROUTE TO: SERVICE PARTS WARRANTY SALES

TORQUE VALUES				
APPLICATION	SIZE	m-kg	ft-lb	NOTES
Front Axle Nut	M14	7.0	50	
Front Axle Holder Nut	M8	2.0	14	
Rear Axle Nut	M16	15.0	108	
Rear Axle Pinch Bolt	φ			
Clutch Nut	M20	7.0	50	
Drain Plug	M14	4.3	31	
Flywheel Nut				
Cylinder Head Cover	M6	1.0	7	
Cylinder Head	M9	4.1	30	
Engine Mounting Bolts: Front & Rear Upper	M10	6.0	43	
Front Lower		3.3	24	
Rear Upper		5.5	40	
Pivot Shaft	M14	13.0	94	
Spark Plug		1.75	13	

- ¹ Use Lock Washer
- ² Use Loctite®
- ³ Use Motor Oil
- ⁴ Use Motor Oil on Washers

- ⁵ Stake
- ⁶ Left-Hand Threads
- φ Does not apply to this model

PAGE 2 OF 2 ROUTE TO: SERVICE PARTS WARRANTY SALES